



US00D723790S

(12) **United States Design Patent**
Tetsuro

(10) **Patent No.:** **US D723,790 S**
(45) **Date of Patent:** **** Mar. 10, 2015**

(54) **UMBRELLA CAP**
(75) Inventor: **Tanaka Tetsuro**, Kumamoto (JP)
(73) Assignee: **Sprout Co., Ltd.**, Kumamoto (JP)
(**) Term: **14 Years**
(21) Appl. No.: **29/425,552**
(22) Filed: **Jun. 25, 2012**

(30) **Foreign Application Priority Data**
Dec. 26, 2011 (CN) 2011 3 0498922
(51) **LOC (10) Cl.** **03-01**
(52) **U.S. Cl.**
USPC **D3/11**
(58) **Field of Classification Search**
USPC D3/5, 6, 10, 11, 12; 135/15.1, 19.5,
135/25.41, 33.41, 34.2
See application file for complete search history.

(56) **References Cited**
U.S. PATENT DOCUMENTS
141,151 A * 7/1873 Lusby 135/48
337,145 A * 3/1886 Ghezzi 135/18
D28,465 S * 4/1898 Brown D3/11
785,938 A * 3/1905 Epstein 135/34.2
1,023,686 A * 4/1912 Siggins 135/17
1,289,269 A * 12/1918 Rucker 135/34.2
1,631,951 A * 6/1927 McAnsh 222/523
1,686,323 A * 10/1928 von der Heyde 473/282
1,780,946 A * 11/1930 Schroder 135/76
3,338,474 A * 8/1967 Olson 222/92
3,471,058 A * 10/1969 Latham et al. 222/92
4,557,378 A * 12/1985 Klebold 206/223

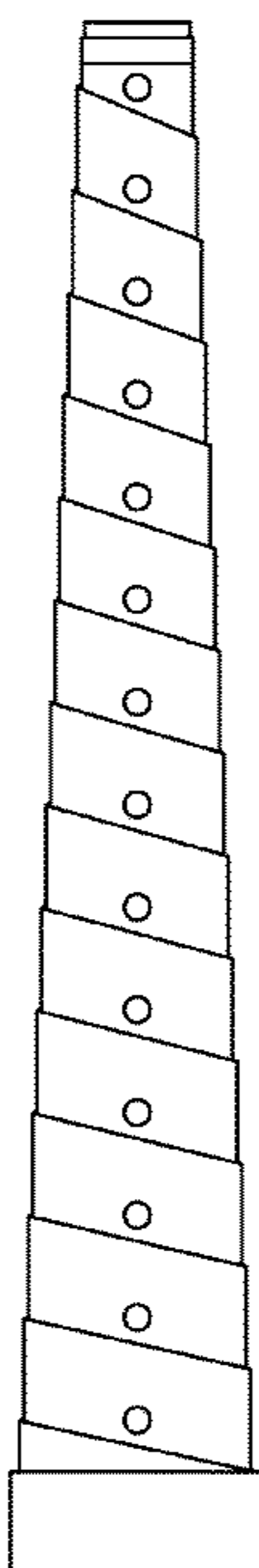
4,586,487 A * 5/1986 Argoud et al. 126/571
D309,116 S * 7/1990 Marshall D10/62
5,135,017 A * 8/1992 Fujiyama 135/34.2
D329,169 S * 9/1992 Robbins, III D7/397
5,146,940 A * 9/1992 Hamada 135/34.2
5,385,162 A * 1/1995 Wu 135/48
5,425,388 A * 6/1995 Chen et al. 135/34.2
D403,642 S * 1/1999 Acord D12/197
6,666,329 B1 * 12/2003 Charbonneau 206/218
6,701,947 B1 * 3/2004 Ramos 135/34.2
6,805,144 B2 * 10/2004 Usui et al. 135/34.2
7,014,074 B1 * 3/2006 Rinaldi 222/461
D706,134 S * 6/2014 Sory D9/436
D711,706 S * 8/2014 Votolato D8/14
2001/0025647 A1 * 10/2001 Chen et al. 135/15.1
2008/0023103 A1 * 1/2008 Ballinger 141/338
2008/0185781 A1 * 8/2008 Mascolo 273/153 P
2009/0266391 A1 * 10/2009 Bloom et al. 135/34.2

* cited by examiner
Primary Examiner — John Windmuller
(74) *Attorney, Agent, or Firm* — Pearne & Gordon LLP

(57) **CLAIM**
The ornamental design for an umbrella cap, as shown and described.

DESCRIPTION
FIG. 1 is a front view of an umbrella cap embodying my new design;
FIG. 2 is a right side view of the umbrella cap of FIG. 1;
FIG. 3 is a rear view of the umbrella cap of FIG. 1;
FIG. 4 is a left side view of the umbrella cap of FIG. 1;
FIG. 5 is a top view of the umbrella cap of FIG. 1; and,
FIG. 6 is an enlarged top view of the umbrella cap shown in FIG. 5.

1 Claim, 3 Drawing Sheets



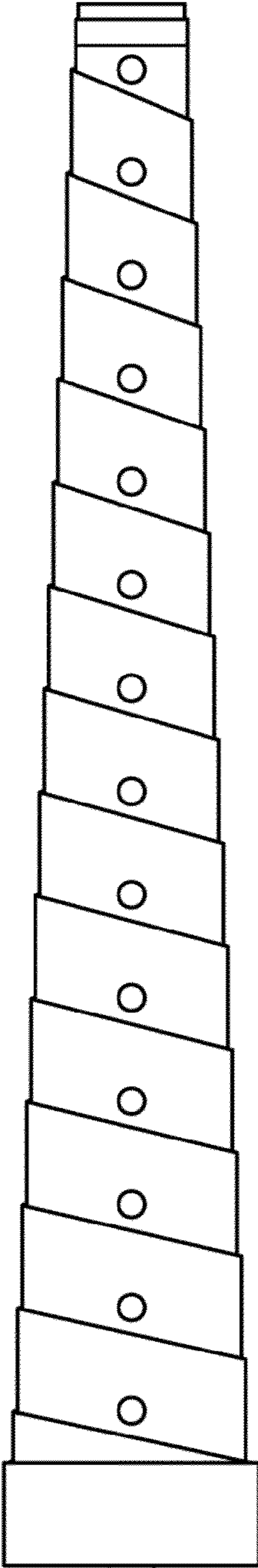


FIG. 1

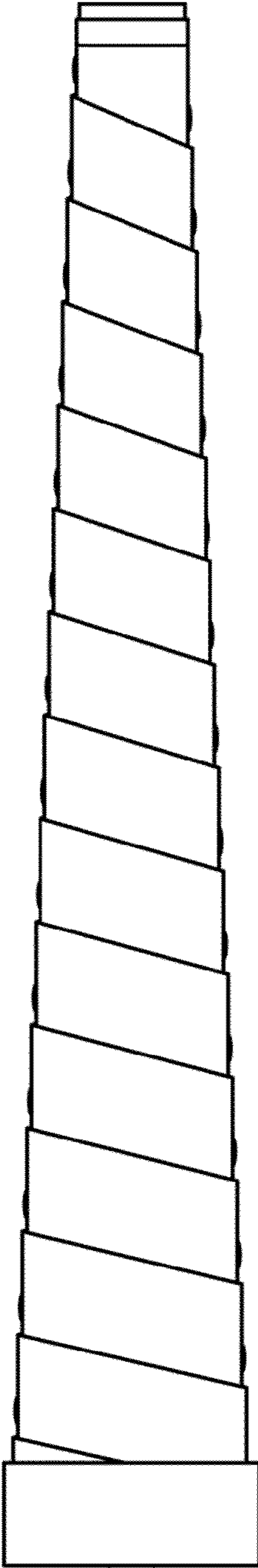


FIG. 2

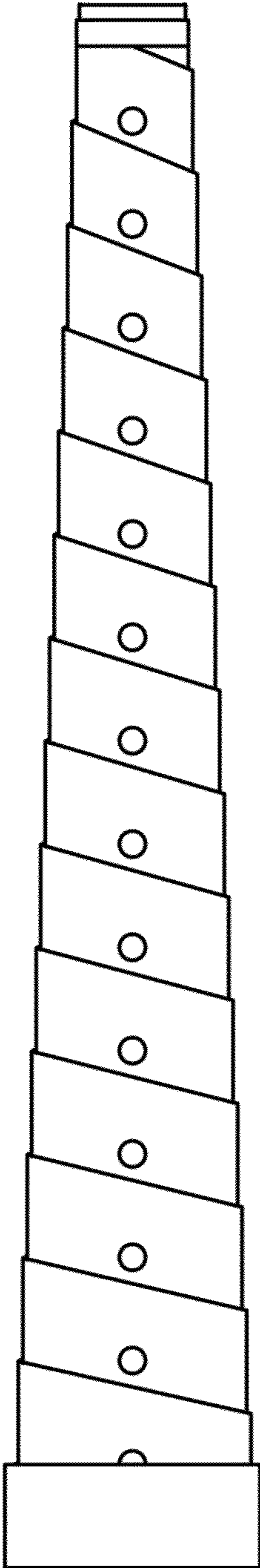


FIG. 3

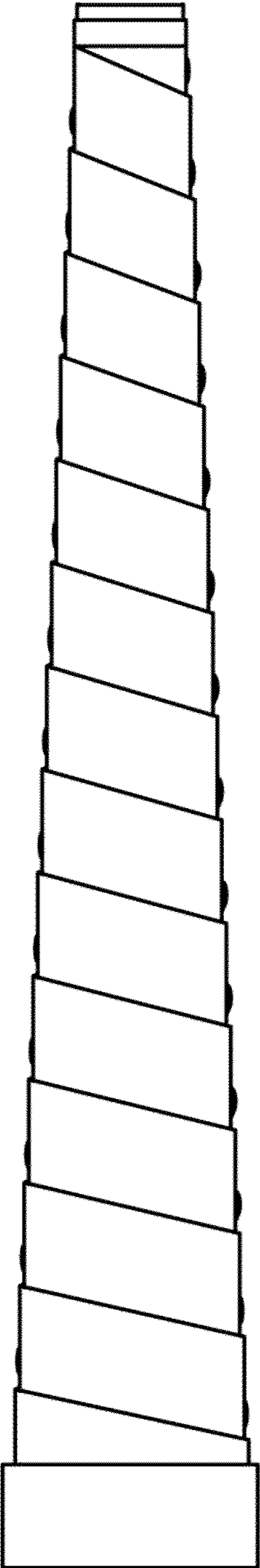


FIG. 4

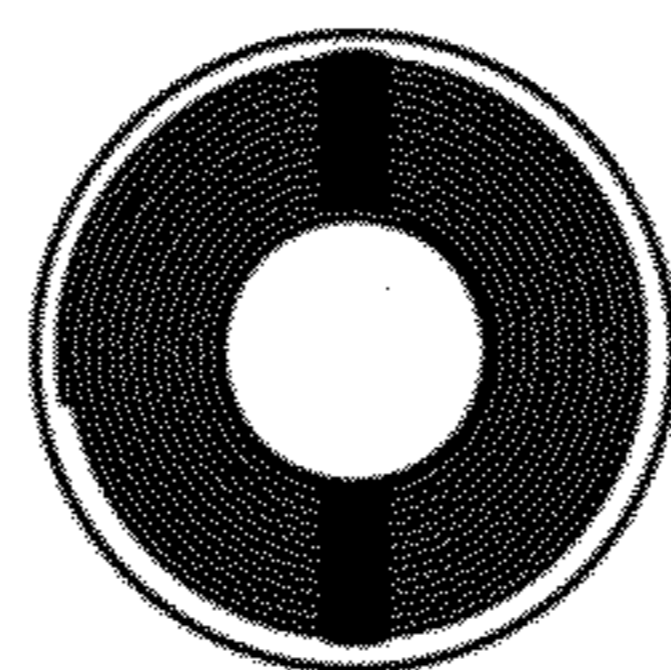


FIG. 5

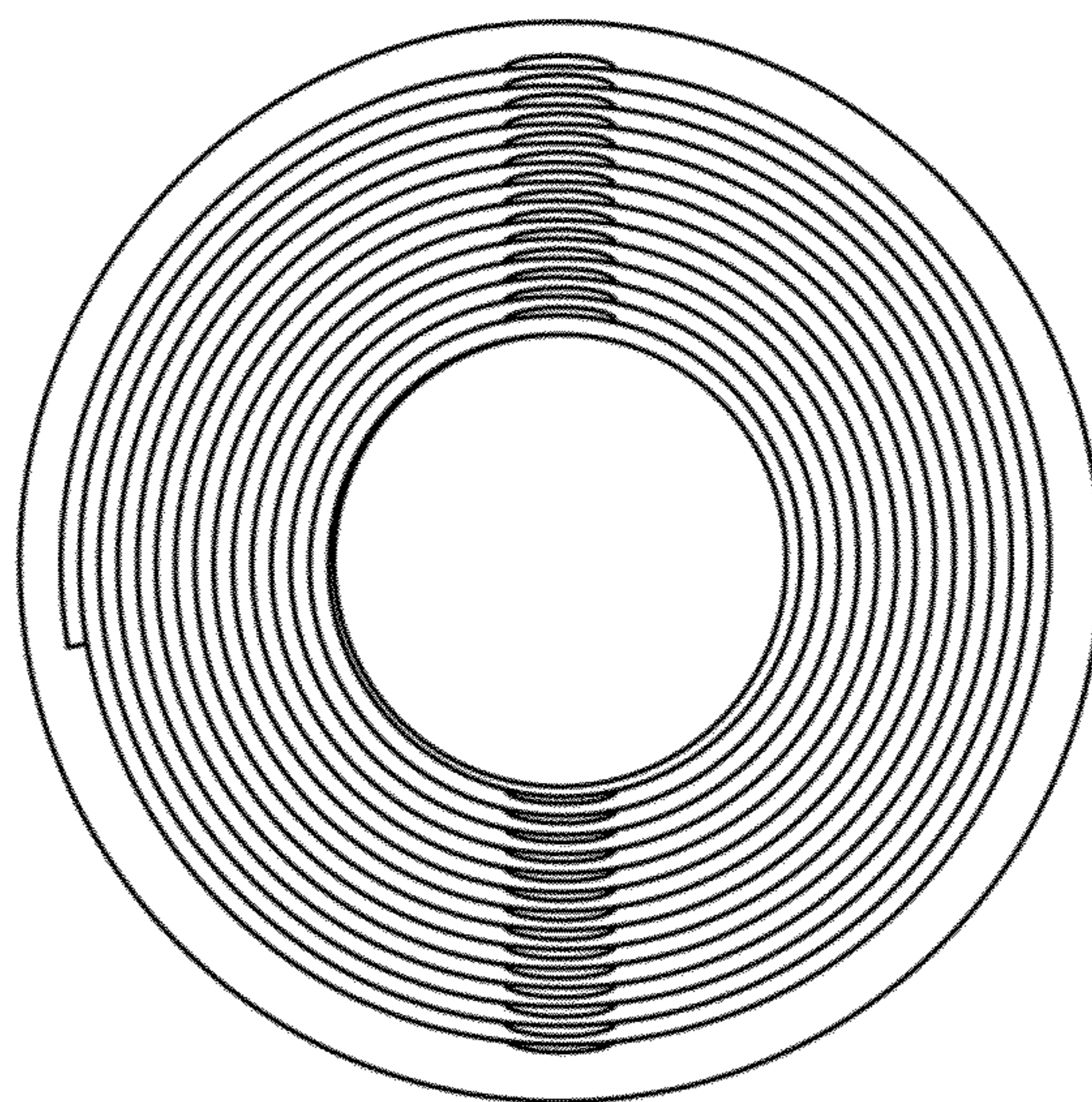


FIG. 6