



US00D723769S

(12) **United States Design Patent**
Land

(10) **Patent No.:** **US D723,769 S**
(45) **Date of Patent:** **** Mar. 10, 2015**

- (54) **FULL-BRIMMED HAT INCORPORATING A BATTERY-POWERED FAN**
- (71) Applicant: **Daryl Land**, Oxnard, CA (US)
- (72) Inventor: **Daryl Land**, Oxnard, CA (US)
- (**) Term: **14 Years**
- (21) Appl. No.: **29/438,339**
- (22) Filed: **Nov. 29, 2012**
- (51) **LOC (10) Cl.** **02-03**
- (52) **U.S. Cl.**
USPC **D2/866**
- (58) **Field of Classification Search**
CPC A42B 1/008; A42B 3/28; A42B 3/285;
A42B 3/286
USPC D2/865, 866, 872, 873, 878, 879, 882,
D2/886, 888, 890, 891, 893, 876;
2/171.03, 171.1, 171.3, 171.4, 171.5,
2/171.6, 171.7, 171.8, 172, 184.5, 206,
2/207, 209.11, 209.12, 209.13, 175.1,
2/175.2, 175.3, 175.5, 175.6, 195.1,
2/195.7, 10, 6.1, 6.3, 6.5, 6.7, 63, 181.4,
2/205, 410, 422, 424, 171, 209.3;
D29/102, 103, 104, 105, 106, 107, 122,
D29/108, 109, 110; 416/63; 446/27
See application file for complete search history.

(56) **References Cited**

U.S. PATENT DOCUMENTS

- 3,168,748 A * 2/1965 Limberg 2/171.3
- D221,884 S * 9/1971 Selz D7/555
- 3,735,423 A * 5/1973 Droz 2/171.3
- D264,016 S * 4/1982 Fournier D2/866
- 4,546,496 A * 10/1985 Lewis 2/171.3

- D297,584 S * 9/1988 Lenox et al. D2/866
- 5,085,231 A * 2/1992 Johnson 131/329
- 5,847,651 A * 12/1998 Lu 340/573.1
- D411,756 S * 7/1999 Land D2/866
- 6,216,277 B1 * 4/2001 Cheng 2/171.03
- 6,256,794 B1 * 7/2001 Erickson 2/209.11
- D522,720 S * 6/2006 Leblanc D2/873
- 7,290,292 B1 * 11/2007 Nellon et al. 2/171.3
- D600,412 S * 9/2009 Ochoa D29/102
- D612,133 S * 3/2010 Hermann, II D2/866
- D670,891 S * 11/2012 Bayley D2/866
- 8,480,365 B2 * 7/2013 Ochoa 416/63
- 2005/0132468 A1 * 6/2005 Lundgren 2/171.3
- 2005/0268375 A1 * 12/2005 Gottlieb 2/172
- 2008/0222777 A1 * 9/2008 Schneider 2/209.13
- 2009/0126076 A1 * 5/2009 Ochoa 2/171.3
- 2009/0255025 A1 * 10/2009 Ochoa 2/7
- 2011/0318197 A1 * 12/2011 Huber 417/234

* cited by examiner

Primary Examiner — Karen E. Eldridge Powers

Assistant Examiner — Kimberly Barnes

(74) *Attorney, Agent, or Firm* — Albert O. Cota

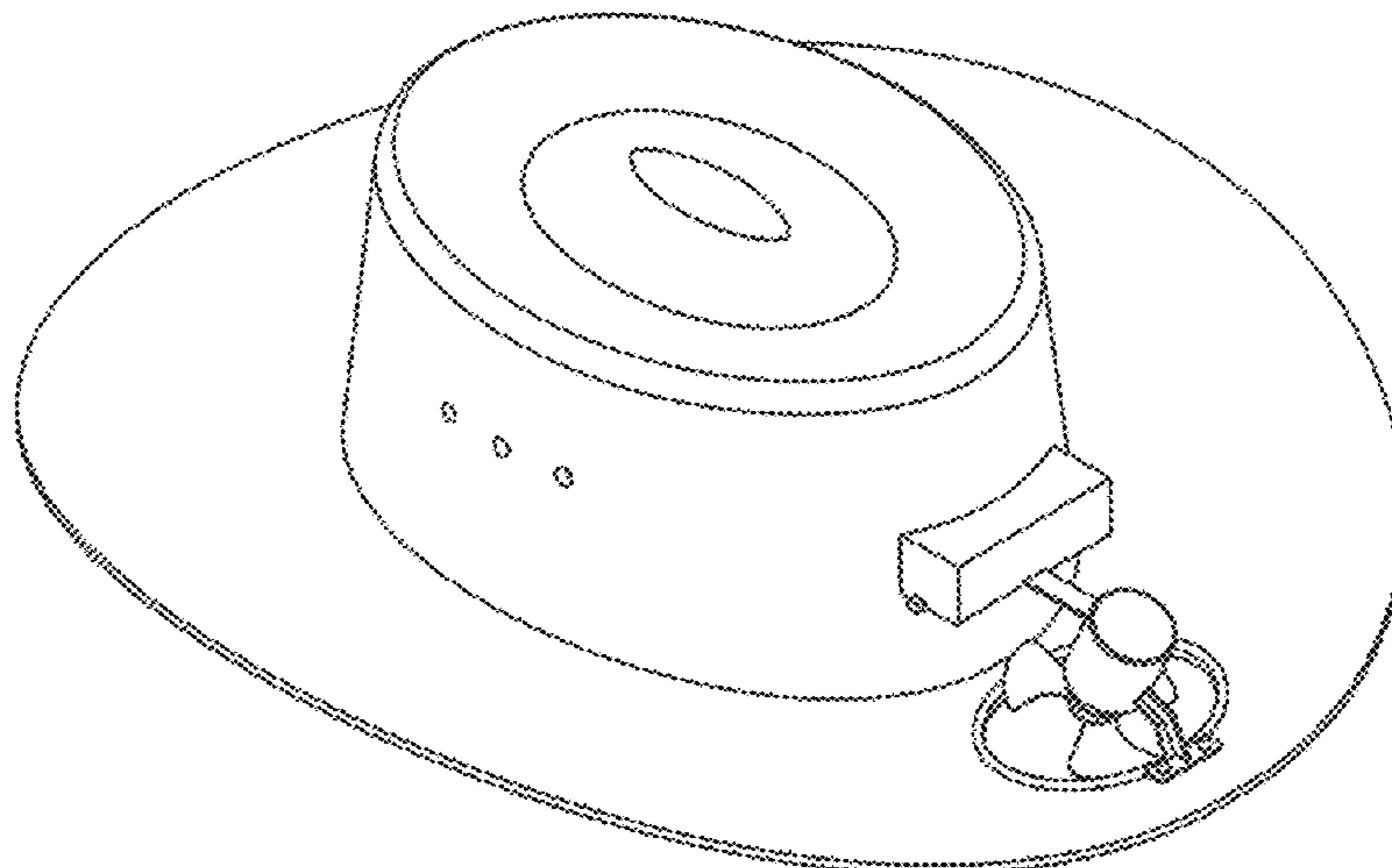
(57) **CLAIM**

The ornamental design for a full-brimmed hat incorporating a battery-powered fan, as shown and described.

DESCRIPTION

FIG. 1 is a front perspective view of a full-brimmed hat incorporating a battery-powered fan;
 FIG. 2 is a right side elevation view thereof, the left side elevation view being a mirror image, except with regard to the fan blades;
 FIG. 3 is a front elevation view thereof;
 FIG. 4 is a rear elevation view thereof;
 FIG. 5 is a top plan view thereof; and,
 FIG. 6 is a bottom plan view.

1 Claim, 4 Drawing Sheets



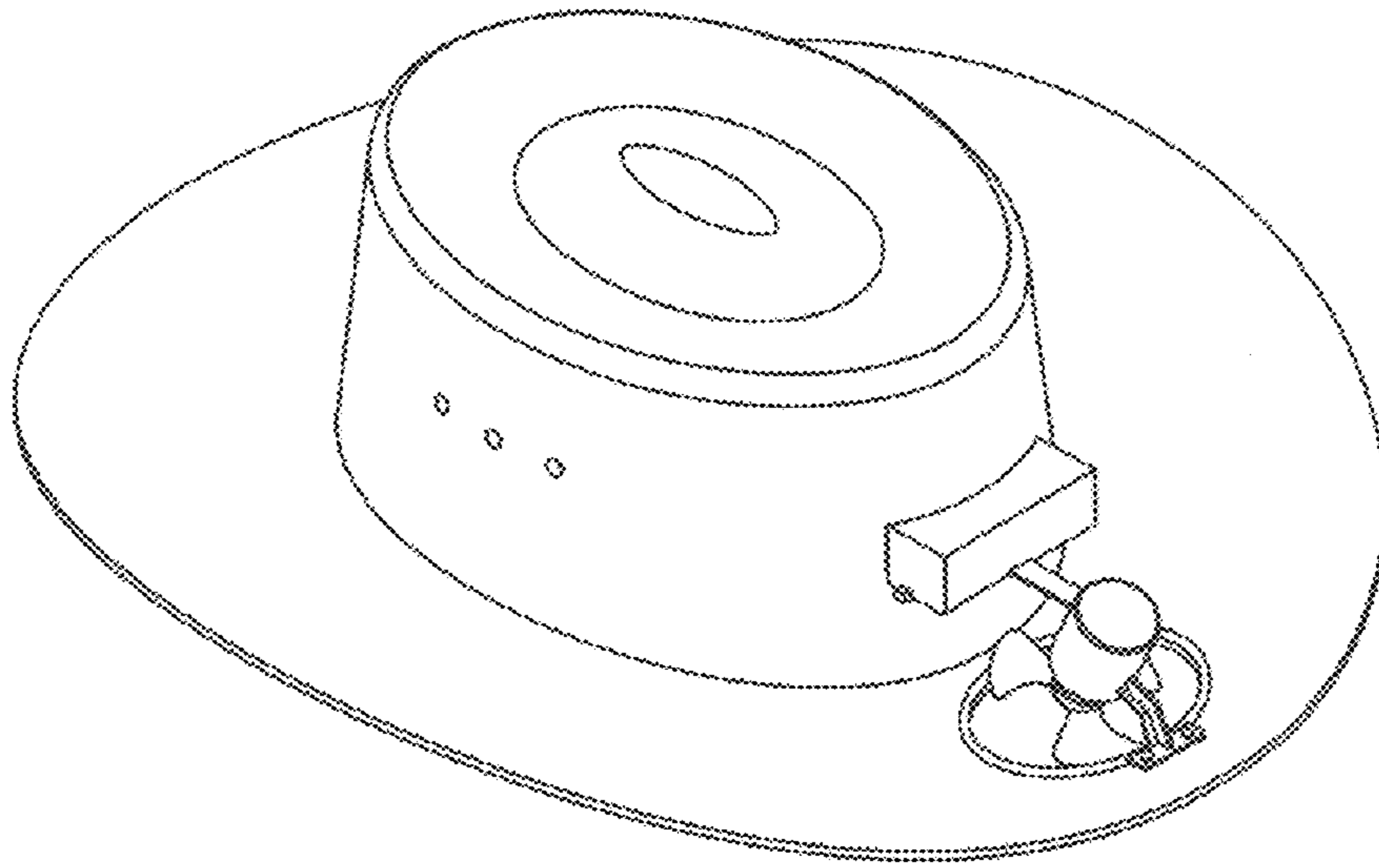


FIG.1

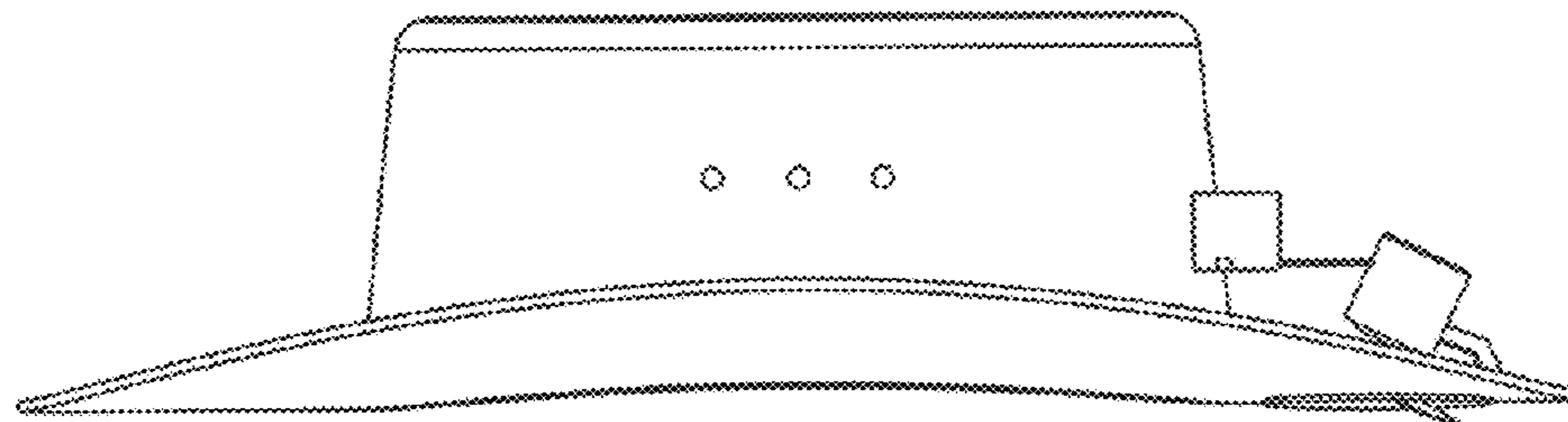


FIG.2

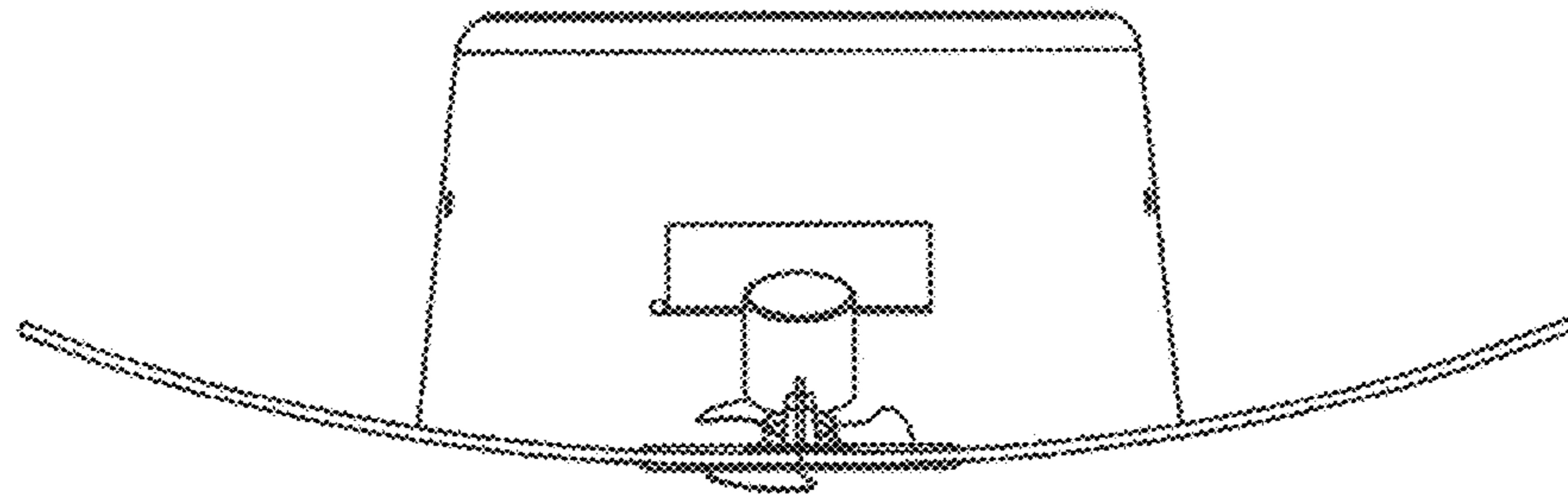


FIG. 3

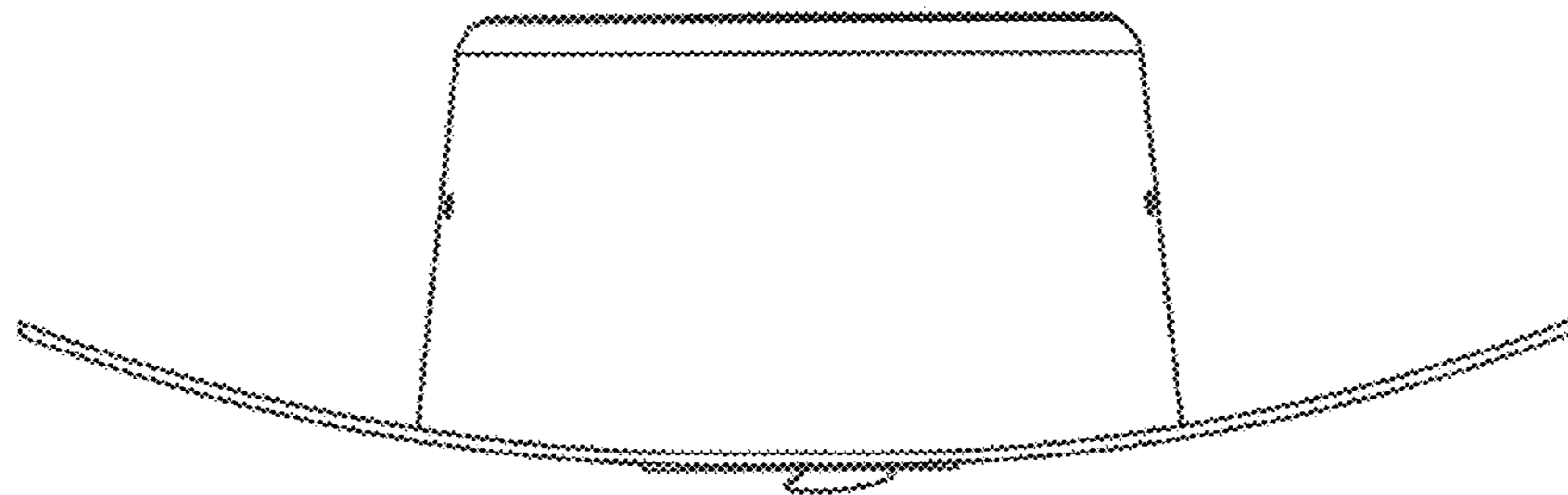


FIG. 4

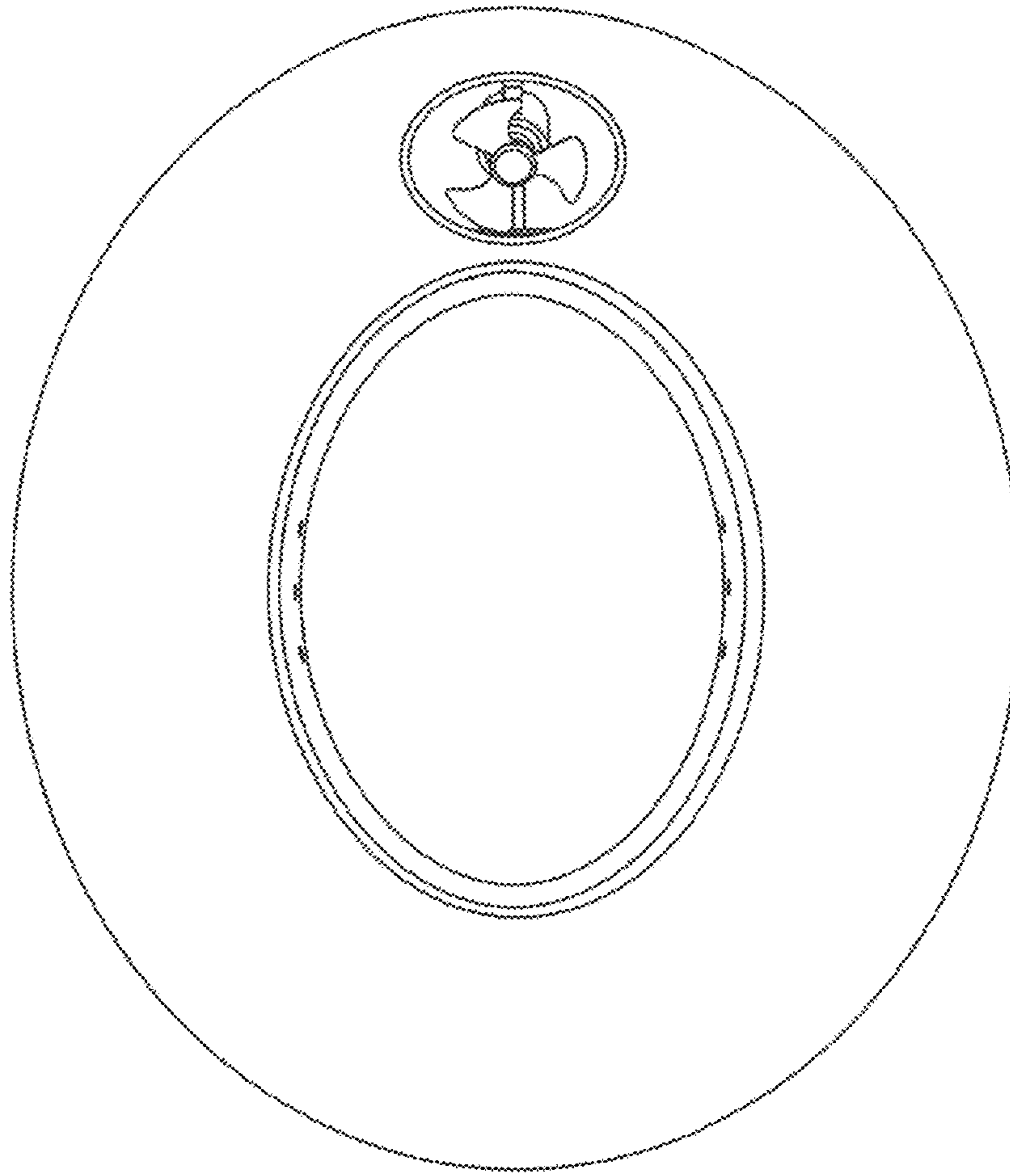


FIG.5

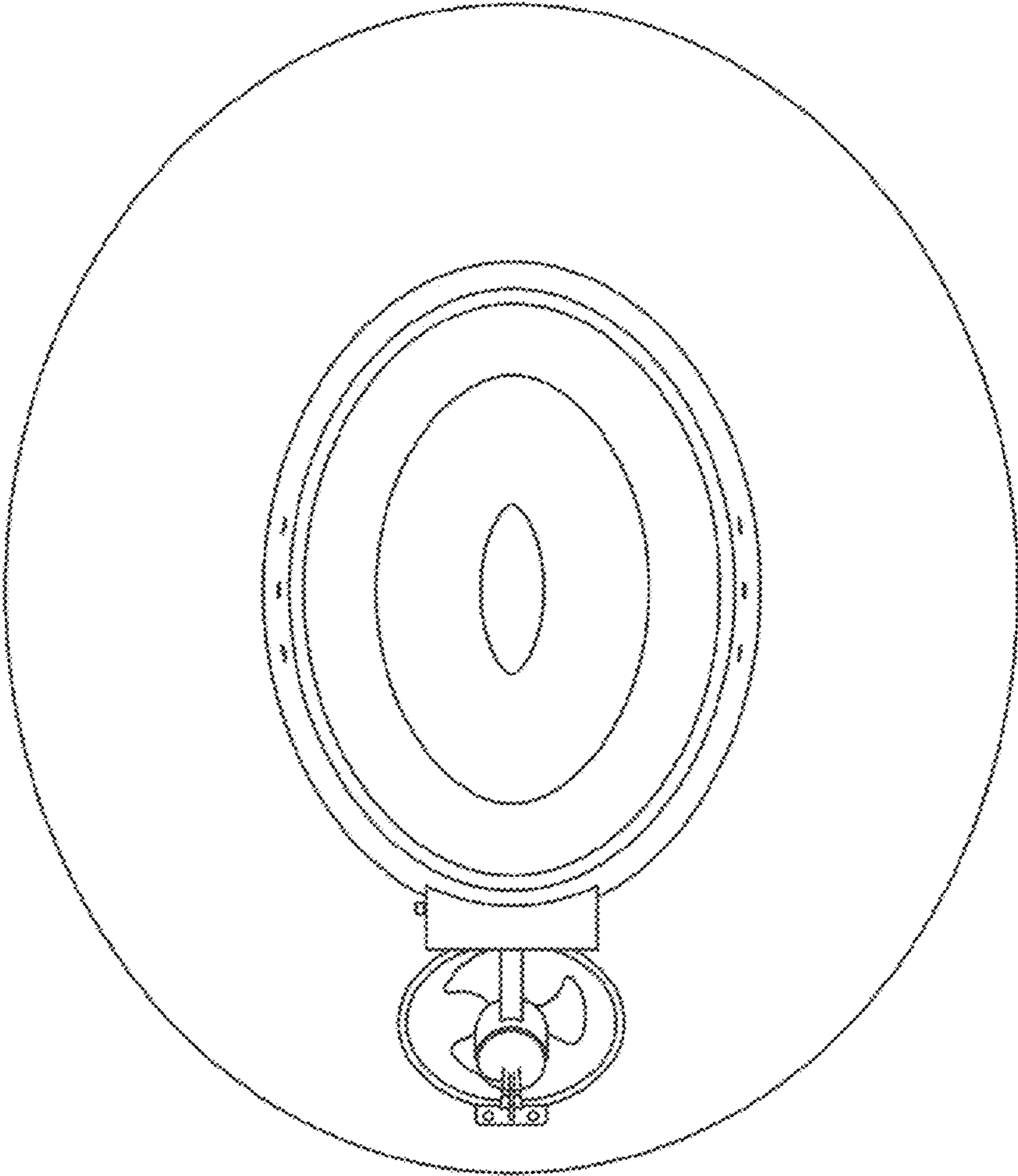


FIG. 6