



US00D723766S

(12) **United States Design Patent**
Kamakura et al.

(10) **Patent No.:** **US D723,766 S**
(45) **Date of Patent:** **** Mar. 10, 2015**

- (54) **CONFECTIONARY ARTICLE**
- (75) Inventors: **Yoshimitsu Kamakura**, Kawasaki (JP);
Hiroshi Segawa, Kawasaki (JP)
- (73) Assignee: **Intercontinental Great Brands LLC**,
East Hanover, NJ (US)
- (**) Term: **14 Years**
- (21) Appl. No.: **29/396,470**
- (22) Filed: **Jun. 30, 2011**
- (51) **LOC (10) Cl.** **01-01**
- (52) **U.S. Cl.**
USPC **D1/127**
- (58) **Field of Classification Search**
USPC D1/100–199; D24/101, 102; 426/3, 5,
426/87, 89, 92, 103, 104, 129, 138, 144,
426/249, 660, 383, 512, 516, 808; 424/467;
D25/113, 119, 121–132; D21/499;
D5/55–58, 62
See application file for complete search history.

D509,858	S	*	9/2005	May et al.	D21/499
D523,494	S		6/2006	Van Straaten		
D524,478	S	*	7/2006	McLeish	D28/8.1
D537,201	S	*	2/2007	McLeish et al.	D28/8.1
D552,633	S	*	10/2007	Volkan	D15/90
D553,294	S	*	10/2007	Vetterli et al.	D28/8.1
7,556,487	B2		7/2009	Acar et al.		
D608,840	S		1/2010	Crutchfield et al.		
D610,628	S	*	2/2010	Christensen et al.	D21/502
D613,029	S	*	4/2010	Krumholz et al.	D1/127
7,842,308	B2		11/2010	McAllister et al.		
2003/0219484	A1		11/2003	Sowden et al.		
2006/0078660	A1		4/2006	Martin		
2006/0237903	A1		10/2006	Mackenzie		
2007/0160713	A1*		7/2007	Walter et al.	426/73
2007/0231426	A1		10/2007	Acar et al.		
2008/0213436	A1*		9/2008	Mansuino	426/103
2009/0053390	A1		2/2009	Sakou et al.		
2009/0098242	A1*		4/2009	Nissen	426/5
2009/0202673	A1		8/2009	Phillips et al.		

FOREIGN PATENT DOCUMENTS

JP	5-68481	A	3/1993
JP	10-80246	A	3/1998
JP	2007-28951	A	2/2007
JP	2008-173121	A	7/2008
WO	2005065461	A1	7/2005
WO	W02008/079927	A1	7/2008
WO	W02011010723	A1	1/2011

(56) **References Cited**

U.S. PATENT DOCUMENTS

D14,010	S	*	6/1883	Stinard	D1/129
D22,882	S	*	11/1893	Roes	D1/129
D23,574	S		8/1894	Ward		
787,887	A		4/1905	Baker		
1,527,051	A	*	2/1925	Longan	434/235
1,573,078	A	*	2/1926	McCool	426/303
1,593,907	A		7/1926	Madan		
2,252,934	A		8/1941	Lautmann		
2,311,923	A		2/1943	Lautmann		
4,164,351	A		8/1979	Baker		
4,362,751	A		12/1982	Dogliotti		
4,430,351	A	*	2/1984	Cillario	426/103
4,563,345	A	*	1/1986	Arrick	424/48
4,738,817	A		4/1988	Wittwer et al.		
5,603,219	A		2/1997	Kolb		
D414,895	S	*	10/1999	Olson et al.	D28/8.1
D485,421	S	*	1/2004	Norton	D1/127
D485,963	S		2/2004	Norton		
6,790,467	B2*		9/2004	Kostival et al.	426/94
6,807,284	B2		10/2004	Nakamura		

OTHER PUBLICATIONS

Illustration—set vector illustration simple shapes geometric, [online], [retrieved Apr. 2, 2012]. Retrieved from Internet, http://www.123rf.com/photo_6168515_set-vector-illustration-simple-shapes-geometric.html.*

NPL filed for co-pending U.S. Appl. No. 29/407,045.*

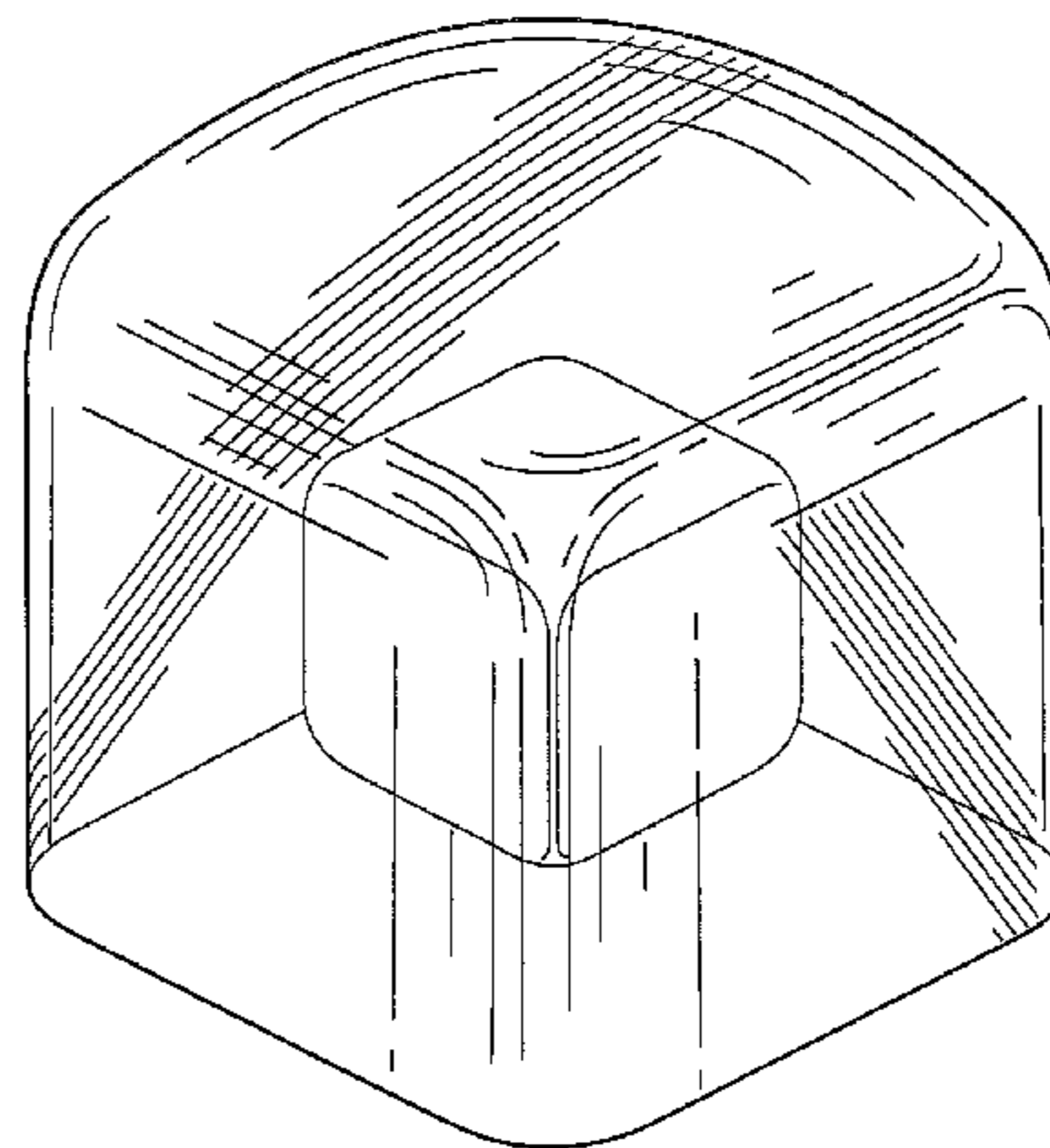
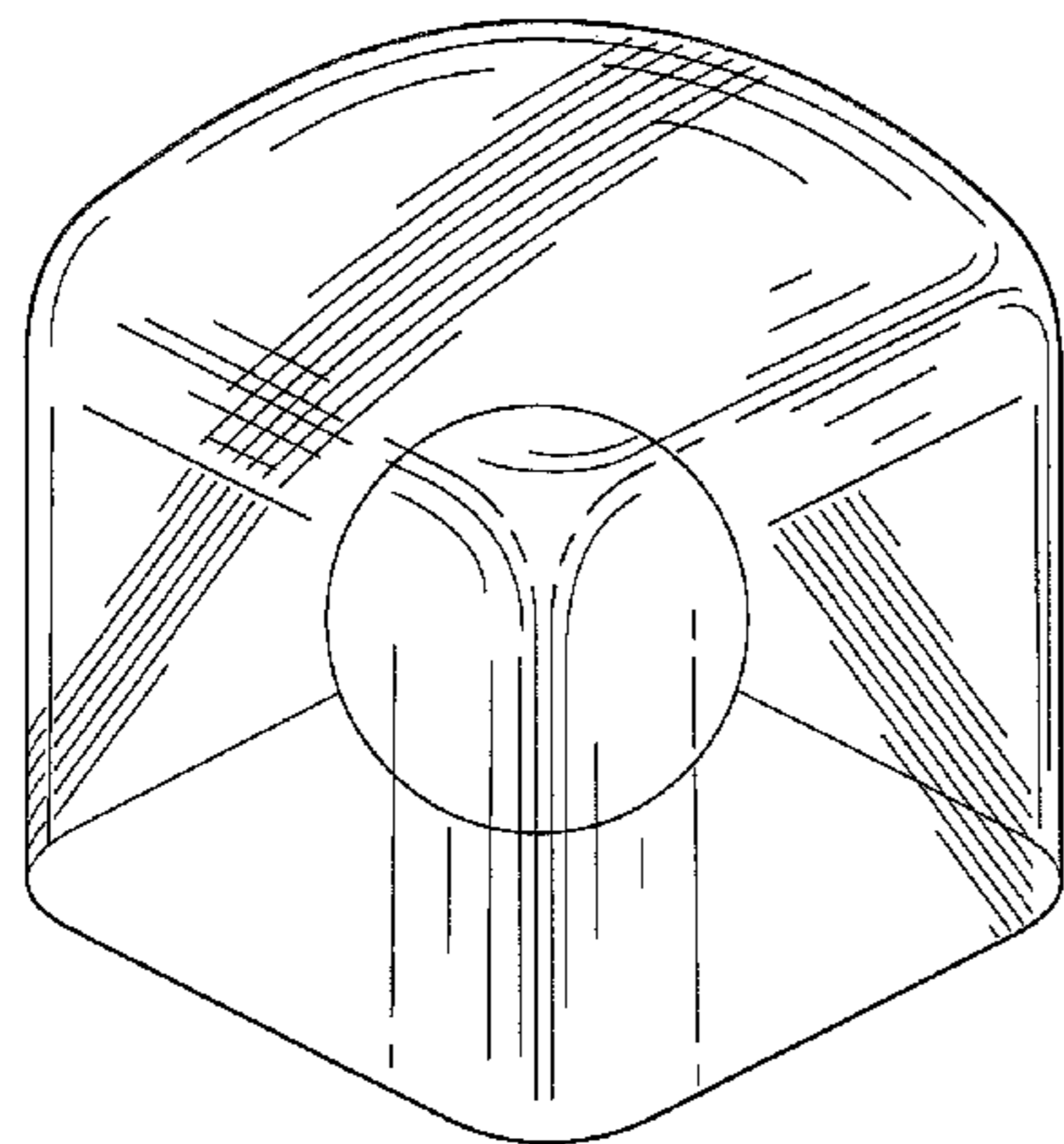
ISR PCT/JP2010/062435 dated Oct. 26, 2010.

National Center for Industrial Property General Information on Feb. 13, 2003. “Katei Gaho,” No. 3, Mar. 1, 2003, p. 127, JPO Design Division Publicly-Known Material No. HA14028991.

National Center for Industrial Property General Information on Jun. 10, 2003. “Waraku,” No. 7, Jul. 1, 2003, p. 166, JPO Design Division Publicly-Known Material No. HA15009959.

National Center for Industrial Property General Information on Jul. 1, 2004, “Katei Gaho,” No. 8, Aug. 1, 2004, p. 194, JPO Design Division Publicly-Known Material No. HA16014109.

JPO General Information Center on Jul. 9, 1993, Korean Design Publication on Mar. 20, 1993, p. 1, JPO Design Division Publicly-Known Material No. HH05034599.



“The Journal of Baking and Confection,” vol. 595, p. 94, Seika Jikkensha, Jun. 5, 1983, JPO Design Division Publicly-Known Material No. J58015321.

SCH3-0017 OA Translation (JP2011-029665) dtd May 15, 2012.

SCH3-0019 OA Translation (JP2011-029666) dtd May 15, 2012.

SCH3-0020 OA Translation (JP2011-029667) dtd May 15, 2012.

SCH3-0021 OA Translation (JP2011-029668) dtd May 15, 2012.

Sch3-0022 OA Translation (JP2011-029669) dtd May 15, 2012.

SCH3-0023 OA Translation (JP2011-029670) dtd May 15, 2012.

SCH3-0024 OA Translation (JP2011-029671) dtd May 15, 2012.

JP Design Application No. 2011-029670 OA dated Mar.19, 2013, English Translation.

JP Design Application No. 2011-029671 OA dated Mar. 19, 2013, English Translation.

JP Design Application No. 2011-029665 OA dated Mar. 19, 2013, English Translation.

JP Design Application No. 2011-029666 OA dated Mar. 19, 2013, English Translation.

JP Design Application No. 2011-029667 OA dated Mar. 19, 2013, English Translation.

JP Design Application No. 2011-029668 OA dated Mar. 19, 2013, English Translation.

JP Design Application No. 2011-029669 OA dated Mar. 19, 2013, English Translation.

EP SR Application No. 10802343.3-1357 dated Dec. 3, 2013.

JP Design Application No. 2011-029670 OA dated Mar. 19, 2013, English Translation.

* cited by examiner

Primary Examiner — Barbara Fox

(74) *Attorney, Agent, or Firm* — Cantor Colburn LLP

(57) **CLAIM**

We claim, the ornamental design for a confectionary article, as shown and described.

DESCRIPTION

FIG. 1 is a perspective view of a confectionary article, showing our new design in a first embodiment;

FIG. 2 is a side elevation view of the embodiment shown in FIG. 1;

FIG. 3 is another side elevation view of the embodiment shown in FIG. 1;

FIG. 4 is a front elevation view of the embodiment shown in FIG. 1;

FIG. 5 is a rear elevation view of the embodiment shown in FIG. 1;

FIG. 6 is a top plan view of the embodiment shown in FIG. 1;

FIG. 7 is a bottom view of the embodiment shown in FIG. 1;

FIG. 8 is a perspective view of a confectionary article, showing our new design in a second embodiment;

FIG. 9 is a side elevation view of the embodiment shown in FIG. 8;

FIG. 10 is another side elevation view of the embodiment shown in FIG. 8;

FIG. 11 is a front elevation view of the embodiment shown in FIG. 8;

FIG. 12 is a rear elevation view of the embodiment shown in FIG. 8;

FIG. 13 is a top plan view of the embodiment shown in FIG. 8;

FIG. 14 is a bottom view of the embodiment shown in FIG. 8;

FIG. 15 is a perspective view of a confectionary article, showing our new design in a third embodiment;

FIG. 16 is a side elevation view of the embodiment shown in FIG. 15;

FIG. 17 is another side elevation view of the embodiment shown in FIG. 15;

FIG. 18 is a front elevation view of the embodiment shown in FIG. 15;

FIG. 19 is a rear elevation view of the embodiment shown in FIG. 15;

FIG. 20 is a top plan view of the embodiment shown in FIG. 15;

FIG. 21 is a bottom view of the embodiment shown in FIG. 15;

FIG. 22 is a perspective view of a confectionary article, showing our new design in a fourth embodiment;

FIG. 23 is a side elevation view of the embodiment shown in FIG. 22;

FIG. 24 is another side elevation view of the embodiment shown in FIG. 22;

FIG. 25 is a front elevation view of the embodiment shown in FIG. 22;

FIG. 26 is a rear elevation view of the embodiment shown in FIG. 22;

FIG. 27 is a top plan view of the embodiment shown in FIG. 22;

FIG. 28 is a bottom view of the embodiment shown in FIG. 22;

FIG. 29 is a perspective view of a confectionary article, showing our new design in a fifth embodiment;

FIG. 30 is a side elevation view of the embodiment shown in FIG. 29;

FIG. 31 is another side elevation view of the embodiment shown in FIG. 29;

FIG. 32 is a front elevation view of the embodiment shown in FIG. 29;

FIG. 33 is a rear elevation view of the embodiment shown in FIG. 29;

FIG. 34 is a top plan view of the embodiment shown in FIG. 29;

FIG. 35 is a bottom view of the embodiment shown in FIG. 29;

FIG. 36 is a perspective view of a confectionary article, showing our new design in a sixth embodiment;

FIG. 37 is a side elevation view of the embodiment shown in FIG. 36;

FIG. 38 is another side elevation view of the embodiment shown in FIG. 36;

FIG. 39 is a front elevation view of the embodiment shown in FIG. 36;

FIG. 40 is a rear elevation view of the embodiment shown in FIG. 36;

FIG. 41 is a top plan view of the embodiment shown in FIG. 36;

FIG. 42 is a bottom view of the embodiment shown in FIG. 36;

FIG. 43 is a perspective view of a confectionary article, showing our new design in a seventh embodiment;

FIG. 44 is a side elevation view of the embodiment shown in FIG. 43;

FIG. 45 is another side elevation view of the embodiment shown in FIG. 43;

FIG. 46 is a front elevation view of the embodiment shown in FIG. 43;

FIG. 47 is a rear elevation view of the embodiment shown in FIG. 43;

FIG. 48 is a top plan view of the embodiment shown in FIG. 43;

FIG. 49 is a bottom view of the embodiment shown in FIG. 43;
FIG. 50 is a perspective view of a confectionary article, showing our new design in an eighth embodiment;
FIG. 51 is a side elevation view of the embodiment shown in FIG. 50;
FIG. 52 is another side elevation view of the embodiment shown in FIG. 50;
FIG. 53 is a front elevation view of the embodiment shown in FIG. 50;
FIG. 54 is a rear elevation view of the embodiment shown in FIG. 50;
FIG. 55 is a top plan view of the embodiment shown in FIG. 50;
FIG. 56 is a bottom view of the embodiment shown in FIG. 50;
FIG. 57 is a perspective view of a confectionary article, showing our new design in a ninth embodiment;
FIG. 58 is a side elevation view of the embodiment shown in FIG. 57;
FIG. 59 is another side elevation view of the embodiment shown in FIG. 57;
FIG. 60 is a front elevation view of the embodiment shown in FIG. 57;
FIG. 61 is a rear elevation view of the embodiment shown in FIG. 57;
FIG. 62 is a top plan view of the embodiment shown in FIG. 57;
FIG. 63 is a bottom view of the embodiment shown in FIG. 57;
FIG. 64 is a perspective view of a confectionary article, showing our new design in a tenth embodiment;
FIG. 65 is a side elevation view of the embodiment shown in FIG. 64;
FIG. 66 is another side elevation view of the embodiment shown in FIG. 64;
FIG. 67 is a front elevation view of the embodiment shown in FIG. 64;
FIG. 68 is a rear elevation view of the embodiment shown in FIG. 64;
FIG. 69 is a top plan view of the embodiment shown in FIG. 64;
FIG. 70 is a bottom view of the embodiment shown in FIG. 64;
FIG. 71 is a perspective view of a confectionary article, showing our new design in an eleventh embodiment;
FIG. 72 is a side elevation view of the embodiment shown in FIG. 71;
FIG. 73 is another side elevation view of the embodiment shown in FIG. 71;
FIG. 74 is a front elevation view of the embodiment shown in FIG. 71;
FIG. 75 is a rear elevation view of the embodiment shown in FIG. 71;
FIG. 76 is a top plan view of the embodiment shown in FIG. 71;

FIG. 77 is a bottom view of the embodiment shown in FIG. 71;
FIG. 78 is a perspective view of a confectionary article, showing our new design in a twelfth embodiment;
FIG. 79 is a side elevation view of the embodiment shown in FIG. 78;
FIG. 80 is another side elevation view of the embodiment shown in FIG. 78;
FIG. 81 is a front elevation view of the embodiment shown in FIG. 78;
FIG. 82 is a rear elevation view of the embodiment shown in FIG. 78;
FIG. 83 is a top plan view of the embodiment shown in FIG. 78;
FIG. 84 is a bottom view of the embodiment shown in FIG. 78;
FIG. 85 is a perspective view of a confectionary article, showing our new design in a thirteenth embodiment;
FIG. 86 is a side elevation view of the embodiment shown in FIG. 85;
FIG. 87 is another side elevation view of the embodiment shown in FIG. 85;
FIG. 88 is a front elevation view of the embodiment shown in FIG. 85;
FIG. 89 is a rear elevation view of the embodiment shown in FIG. 85;
FIG. 90 is a top plan view of the embodiment shown in FIG. 85;
FIG. 91 is a bottom view of the embodiment shown in FIG. 85;
FIG. 92 is a perspective view of a confectionary article, showing our new design in a fourteenth embodiment.
FIG. 93 is a side elevation view of the embodiment shown in FIG. 92;
FIG. 94 is another side elevation view of the embodiment shown in FIG. 92;
FIG. 95 is a front elevation view of the embodiment shown in FIG. 92;
FIG. 96 is a rear elevation view of the embodiment shown in FIG. 92;
FIG. 97 is a top plan view of the embodiment shown in FIG. 92; and,
FIG. 98 is a bottom view of the embodiment shown in FIG. 92.
The oblique line shading rendered on the outer portion of the confectionary article shown in the Figures represents transparency or translucency of the outer portion. Furthermore, the “specks” shown in the embodiments of FIGS. 50-98 represent particles of opaque material, which are arranged throughout the article in a random fashion. Still further, references to “side,” “top,” “bottom,” “front,” and “back” in the Figure Descriptions are not necessarily meant to require any specific orientation of the article as viewed. A confectionary according to the claimed design may be used in any orientation.

1 Claim, 56 Drawing Sheets

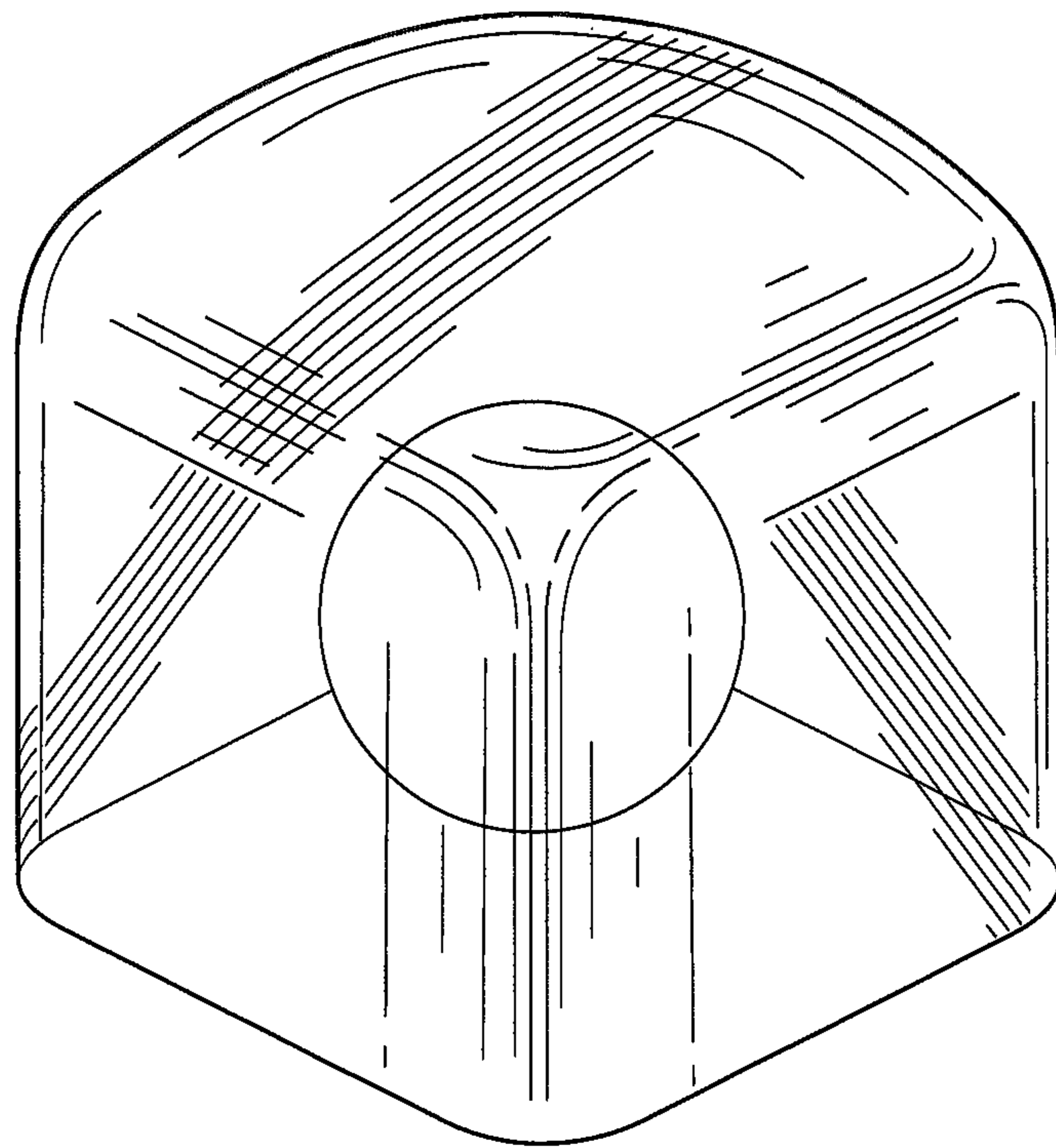


FIG. 1

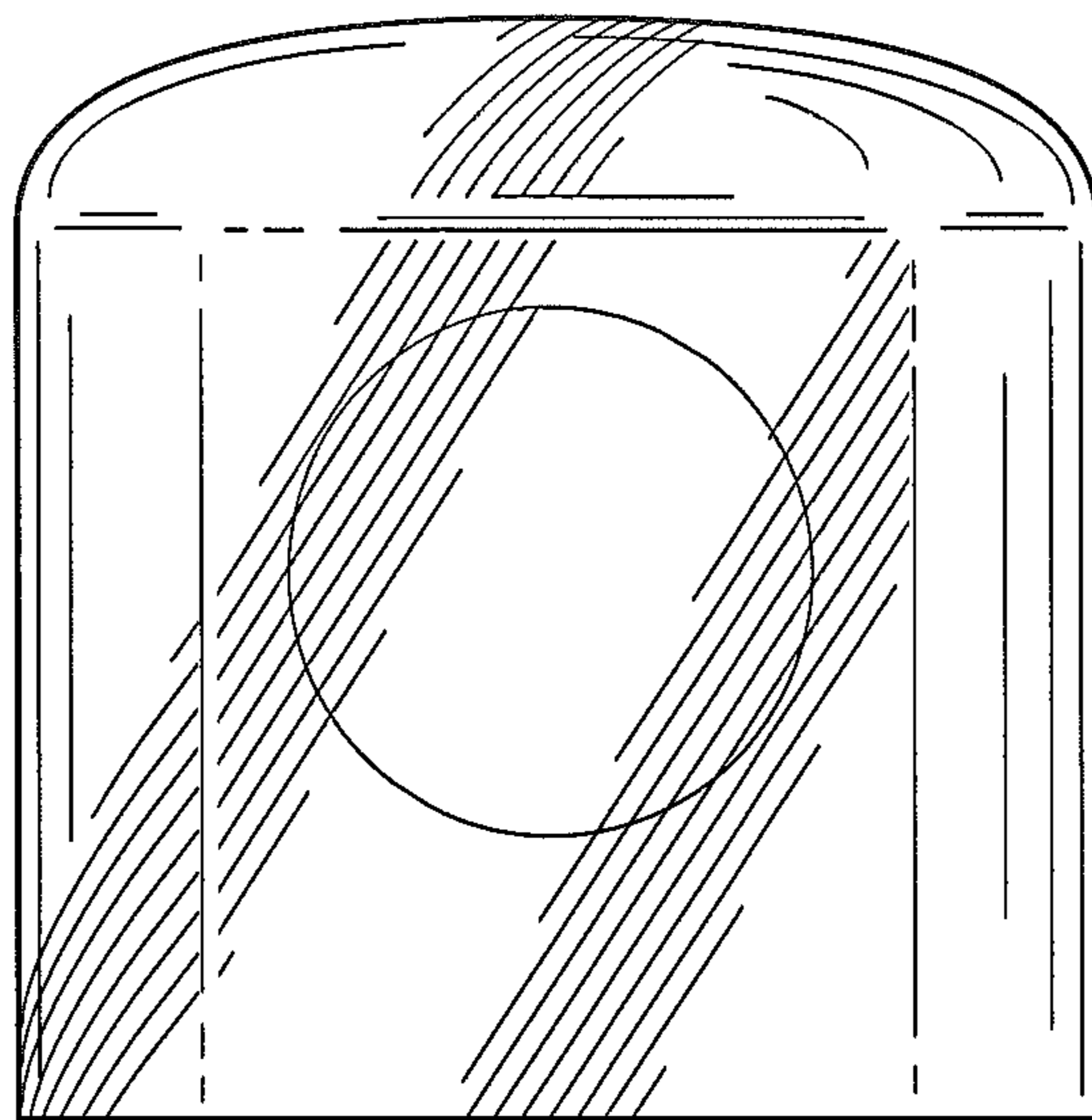


FIG. 2

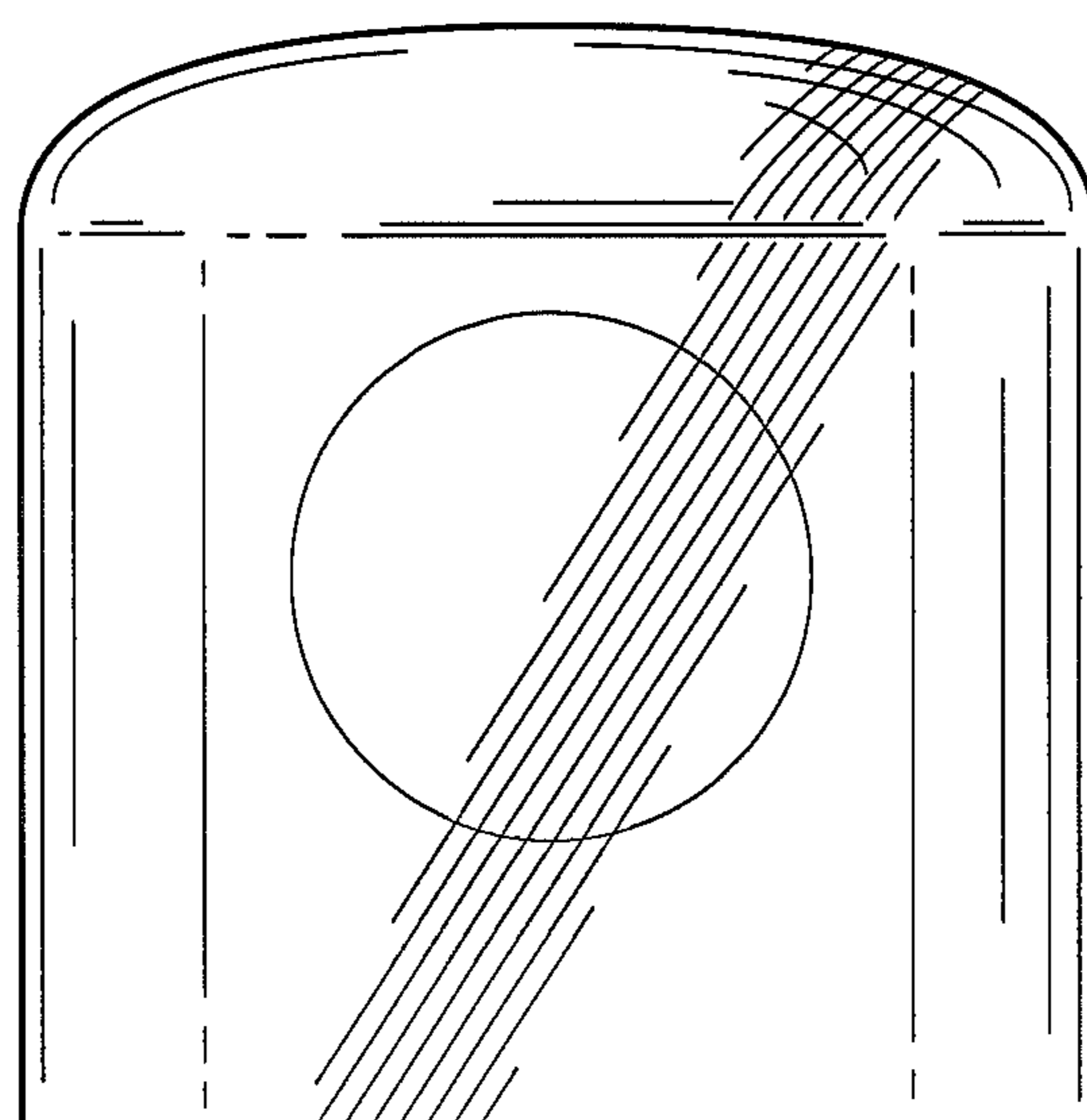


FIG. 3

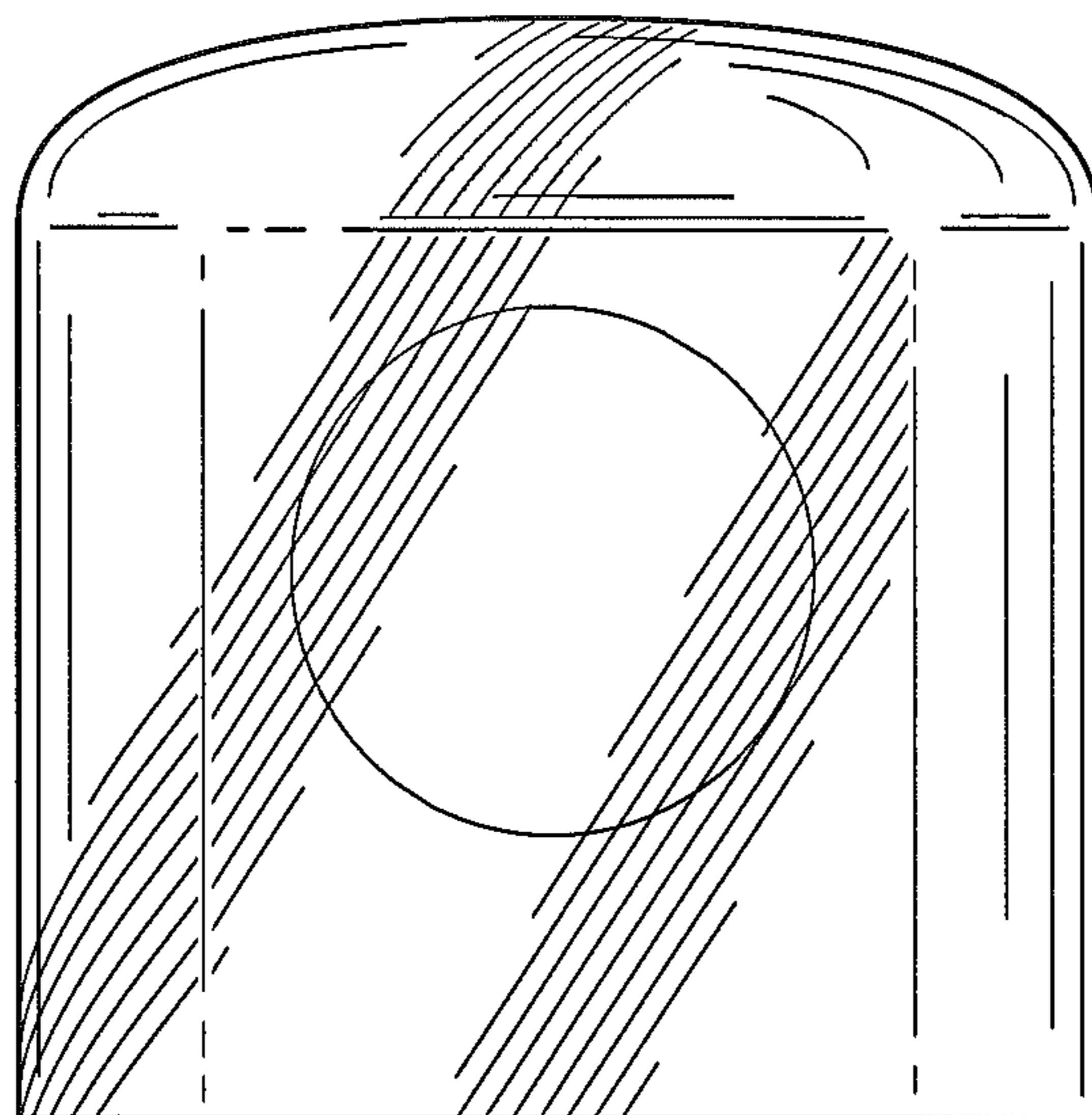


FIG. 4

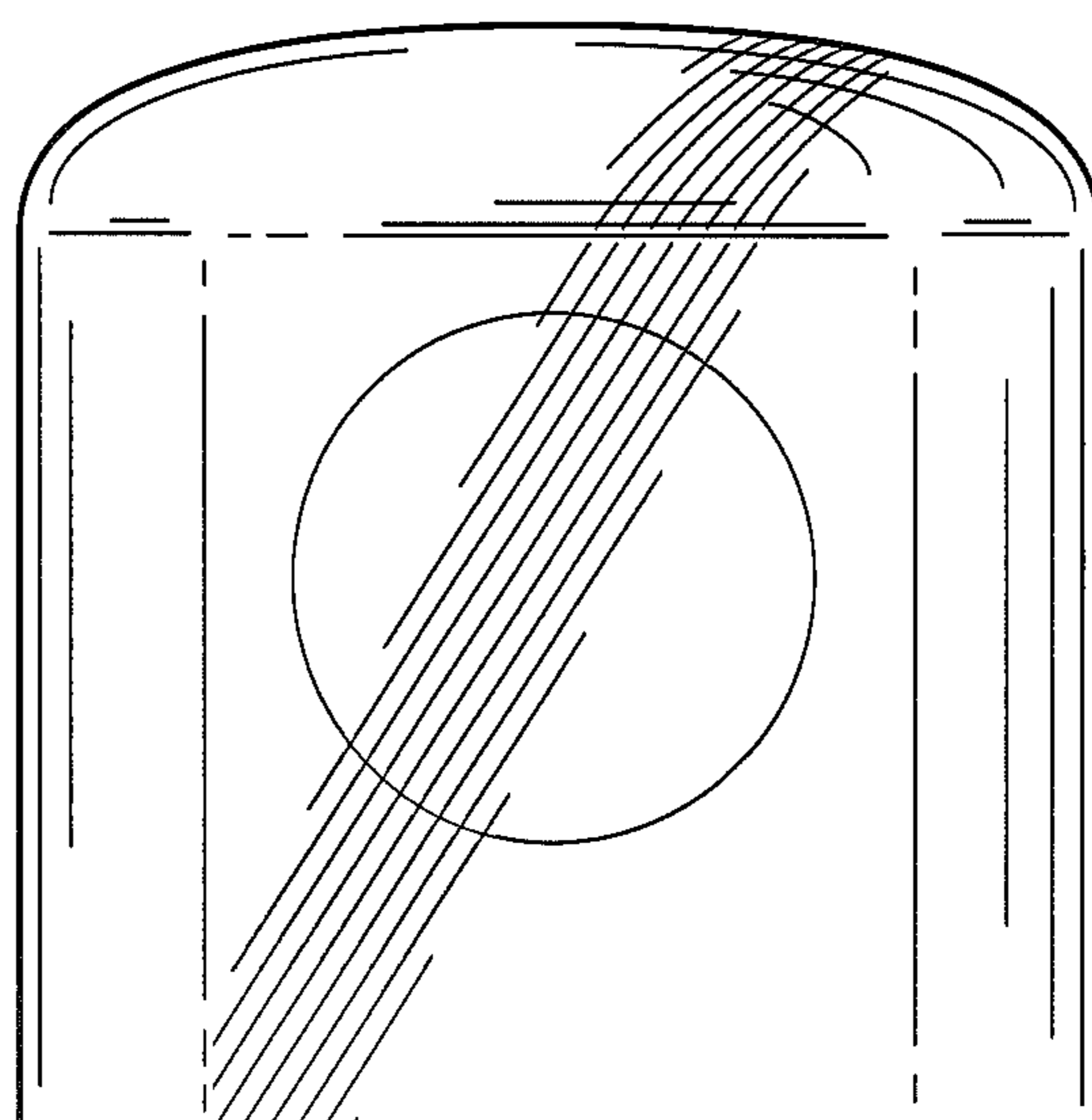


FIG. 5

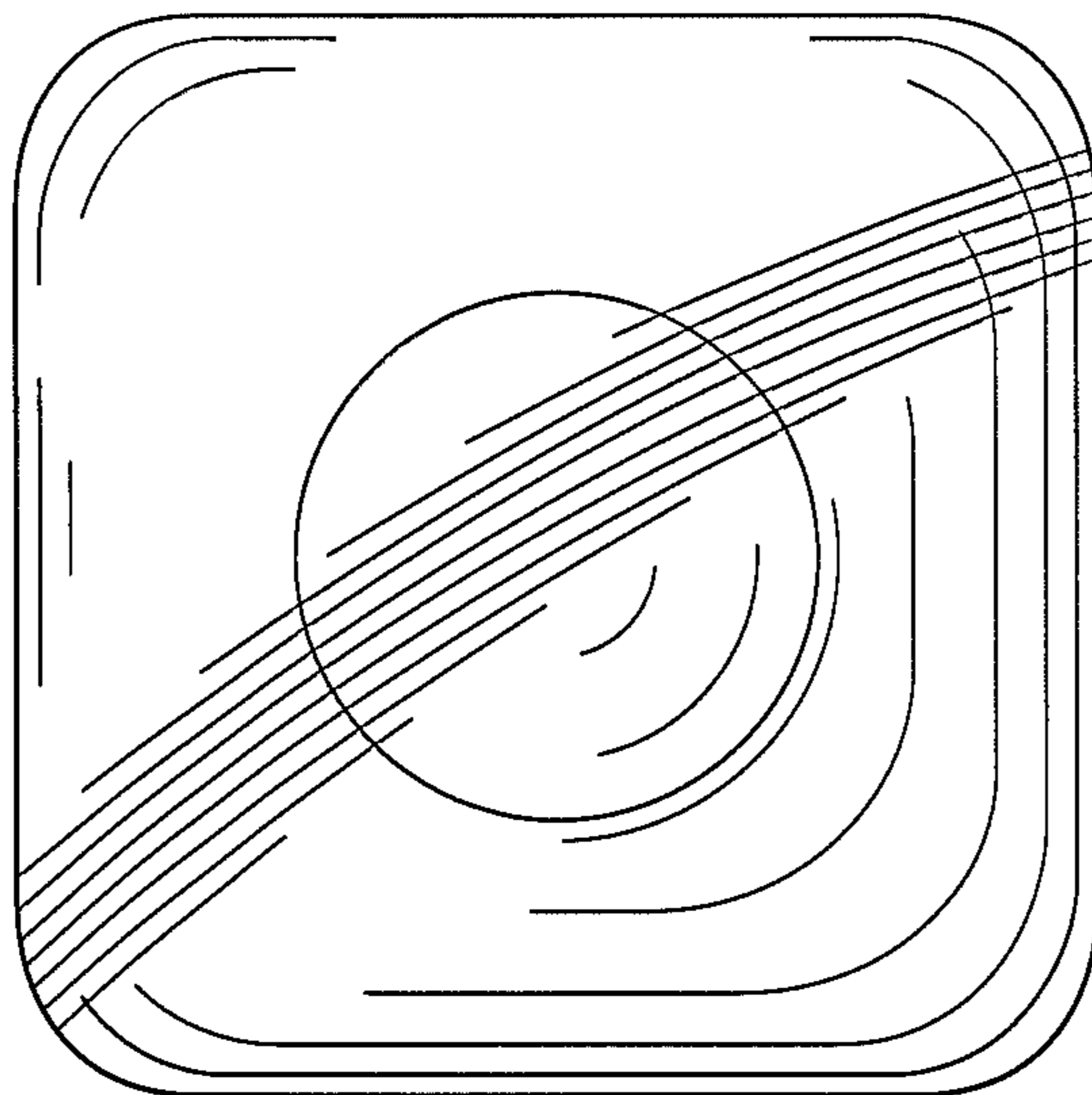


FIG. 6

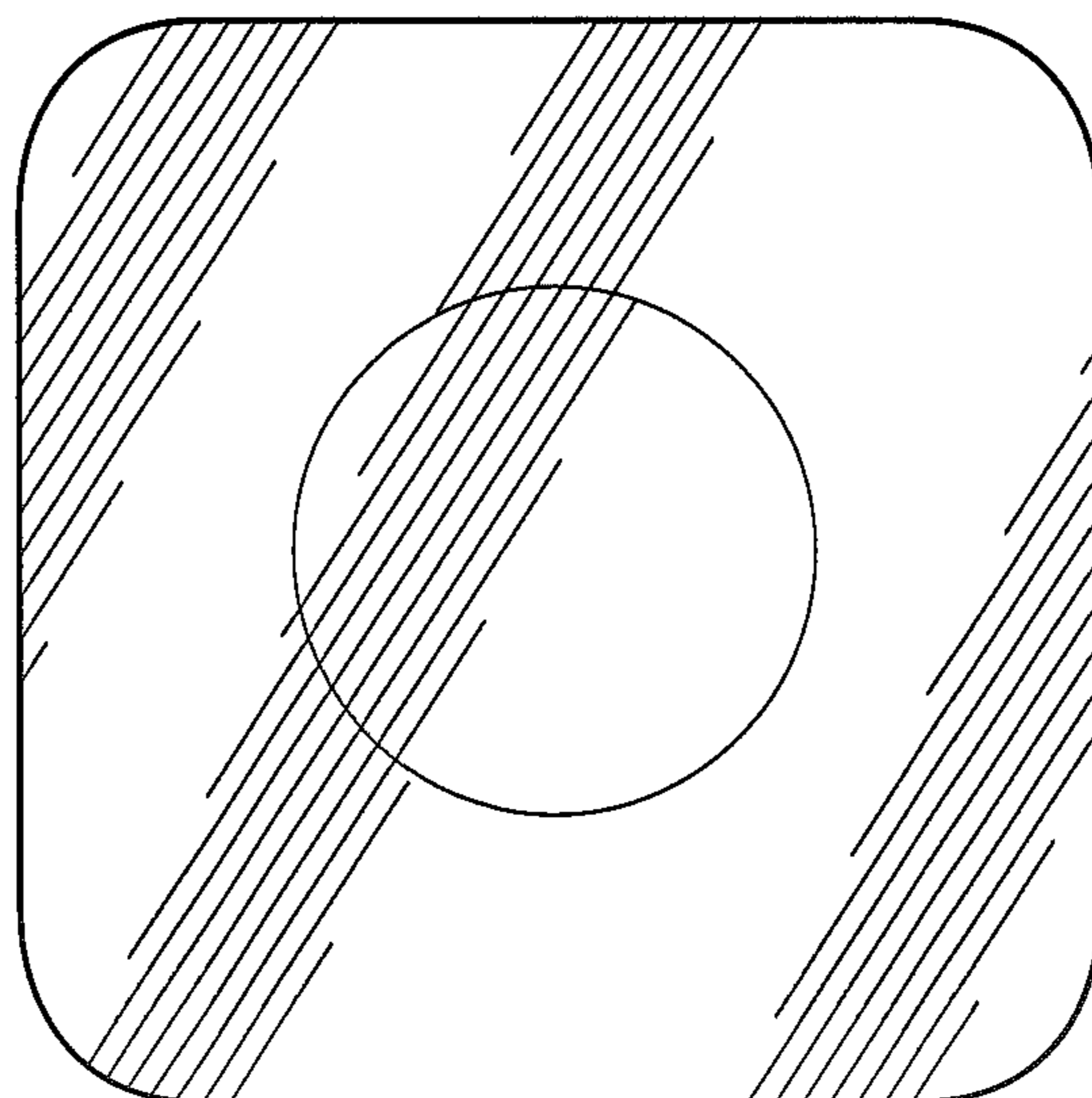


FIG. 7

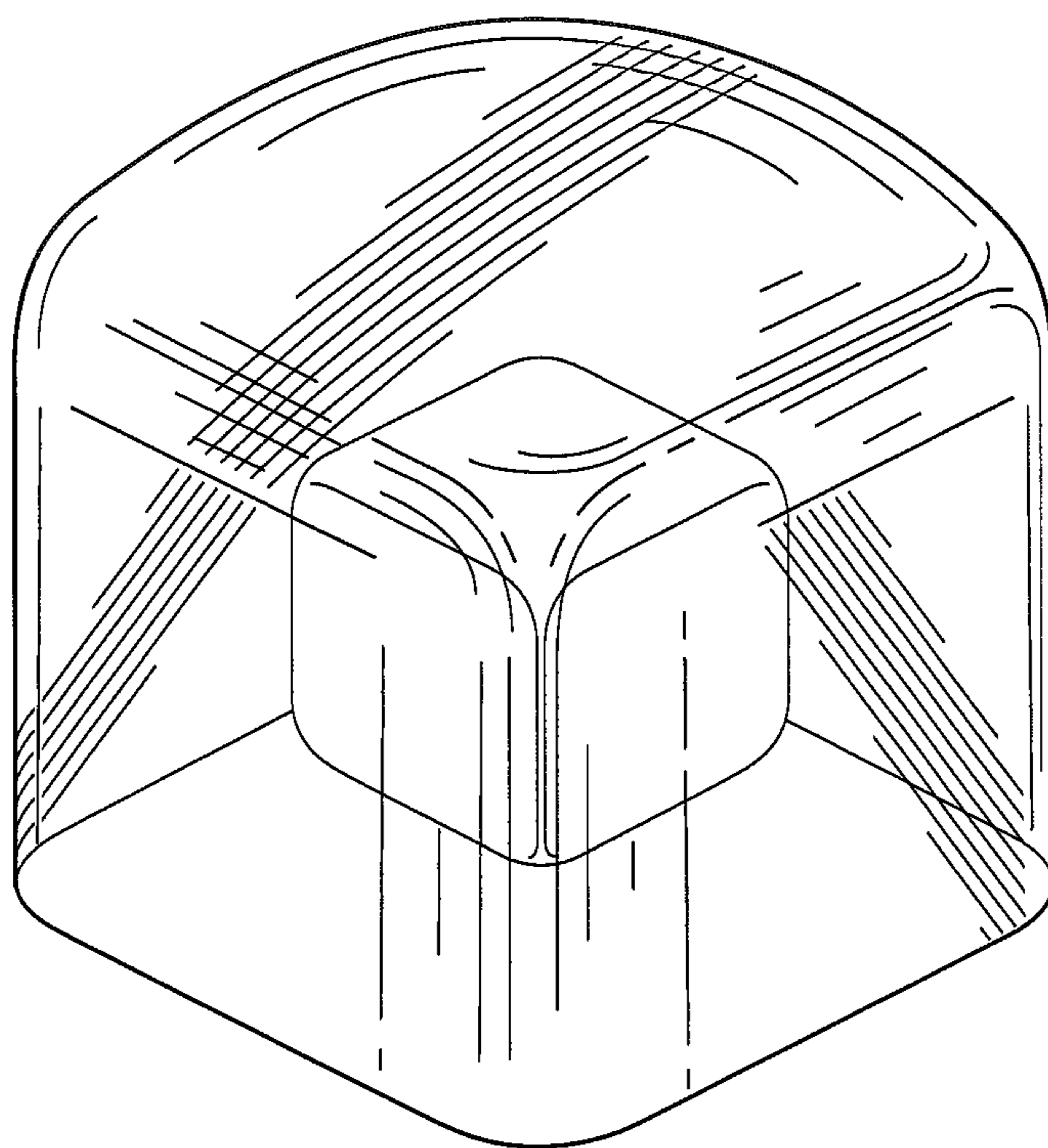


FIG. 8

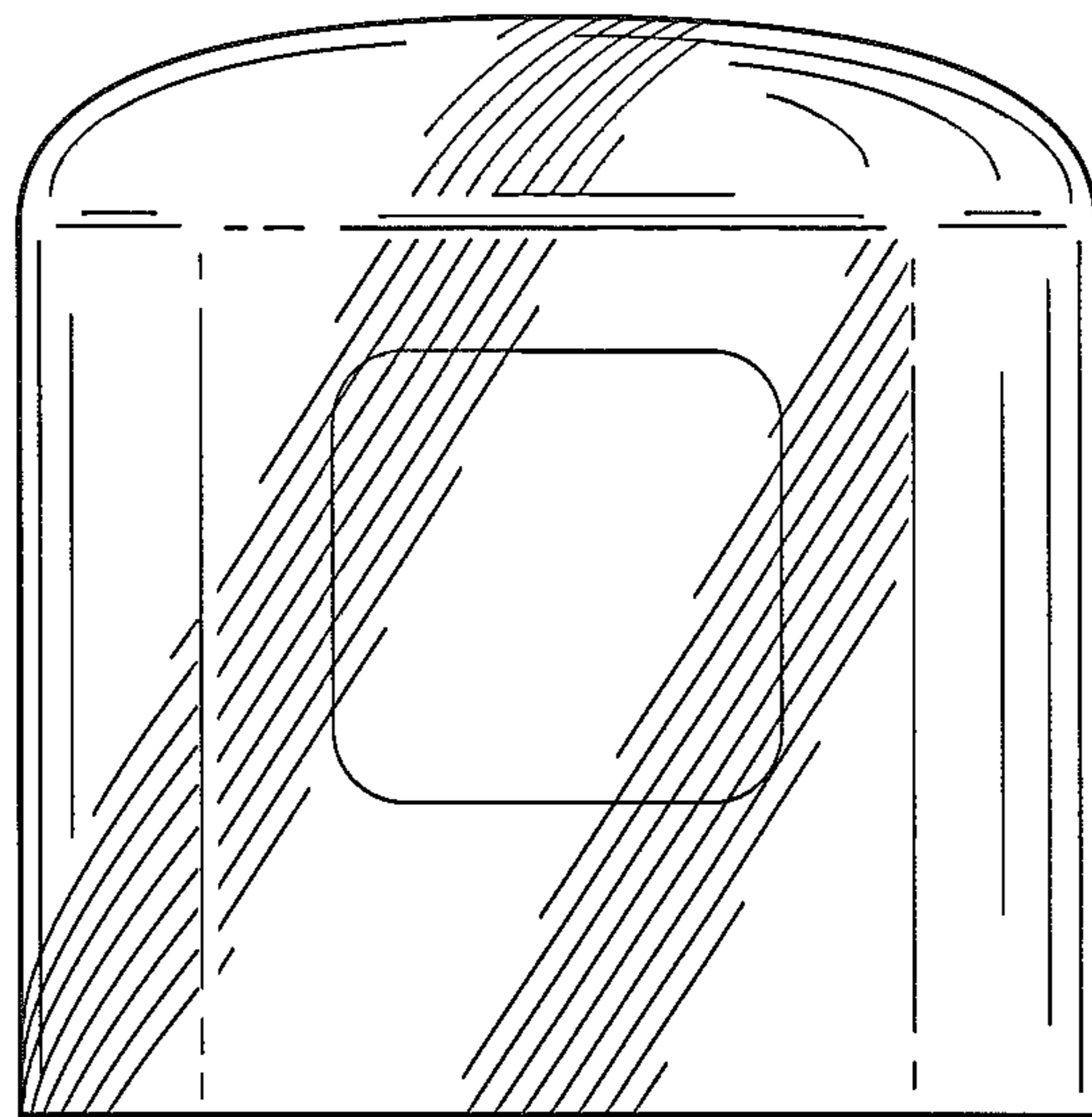


FIG. 9

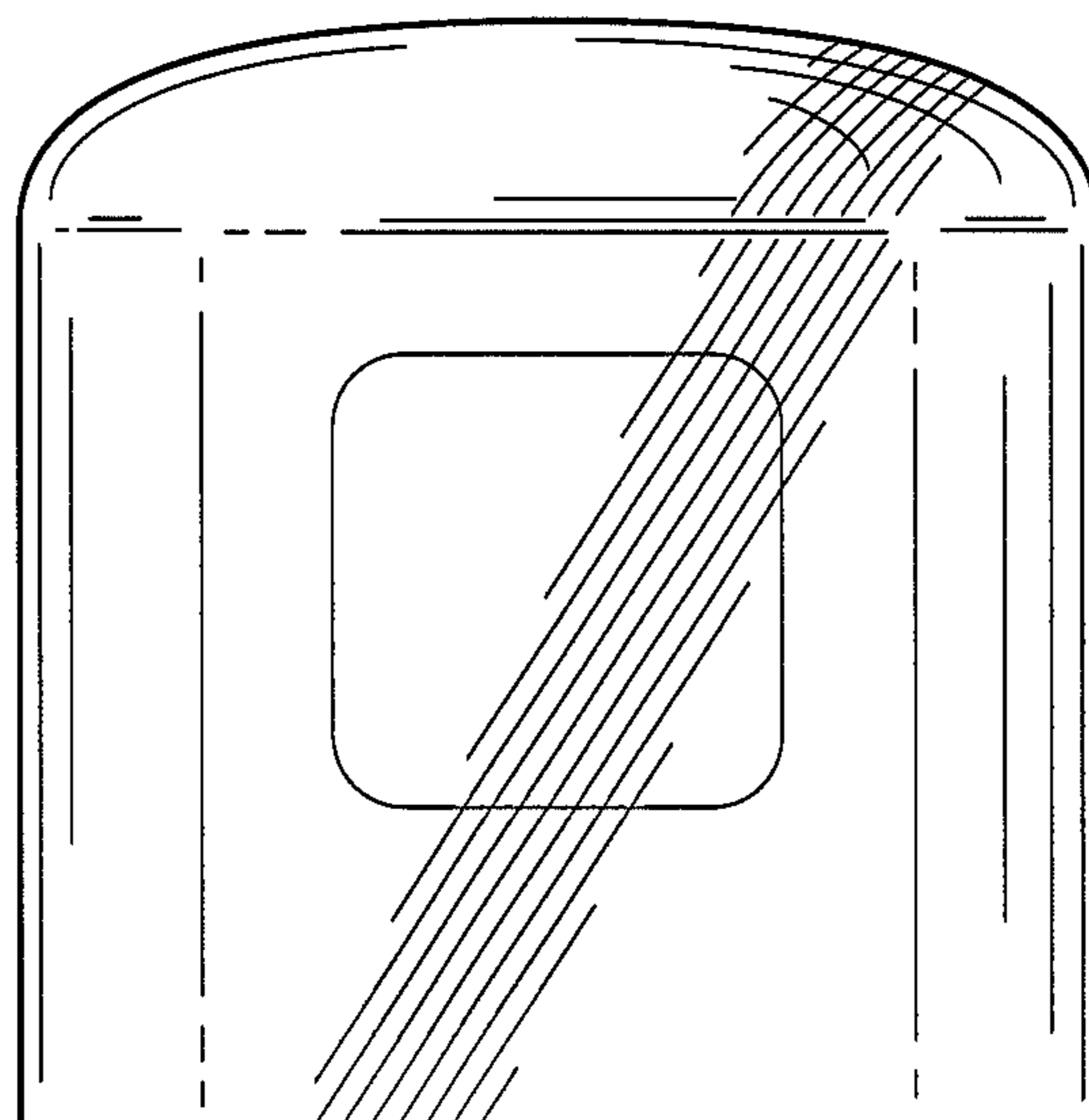


FIG. 10

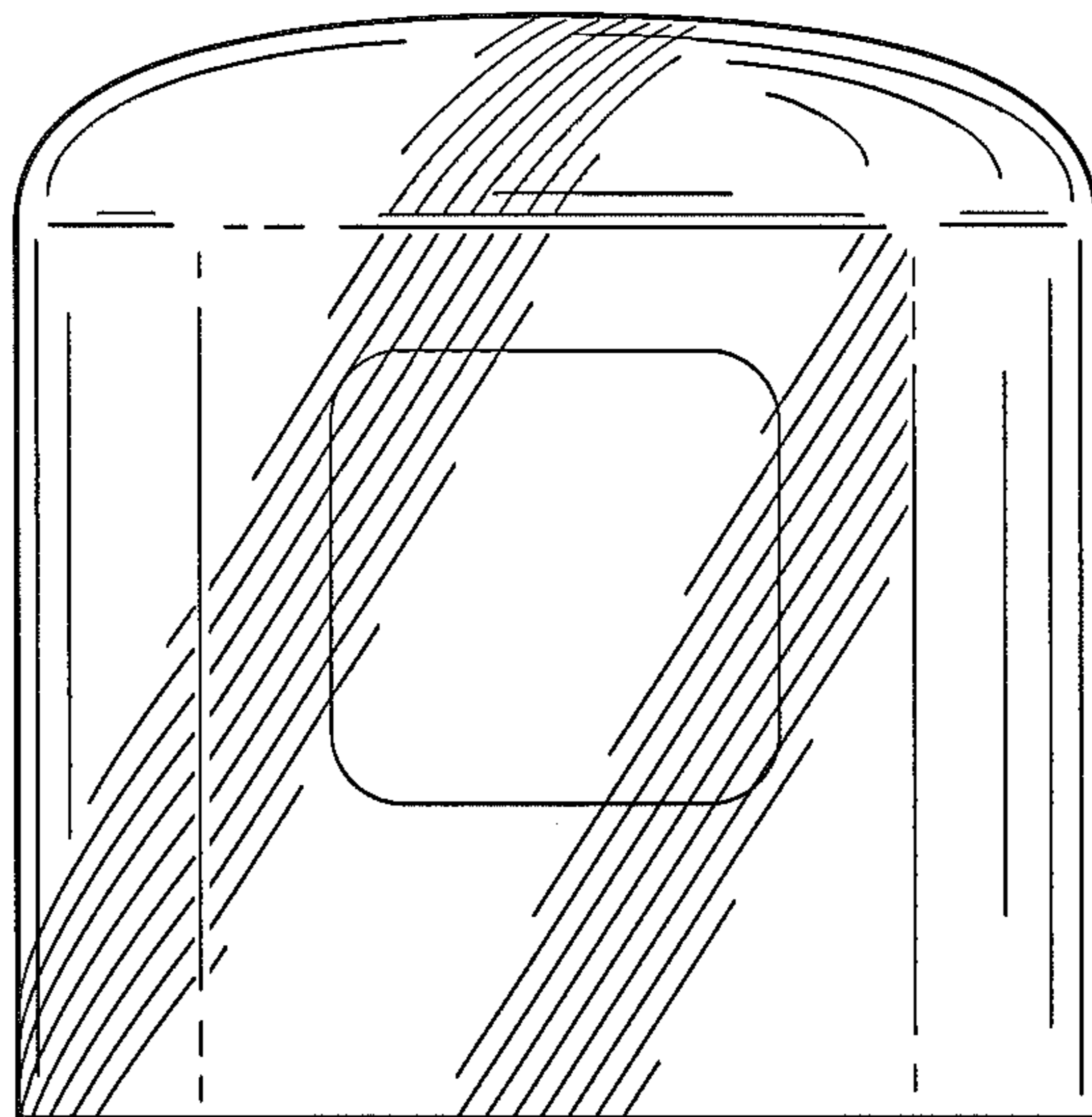


FIG. 11

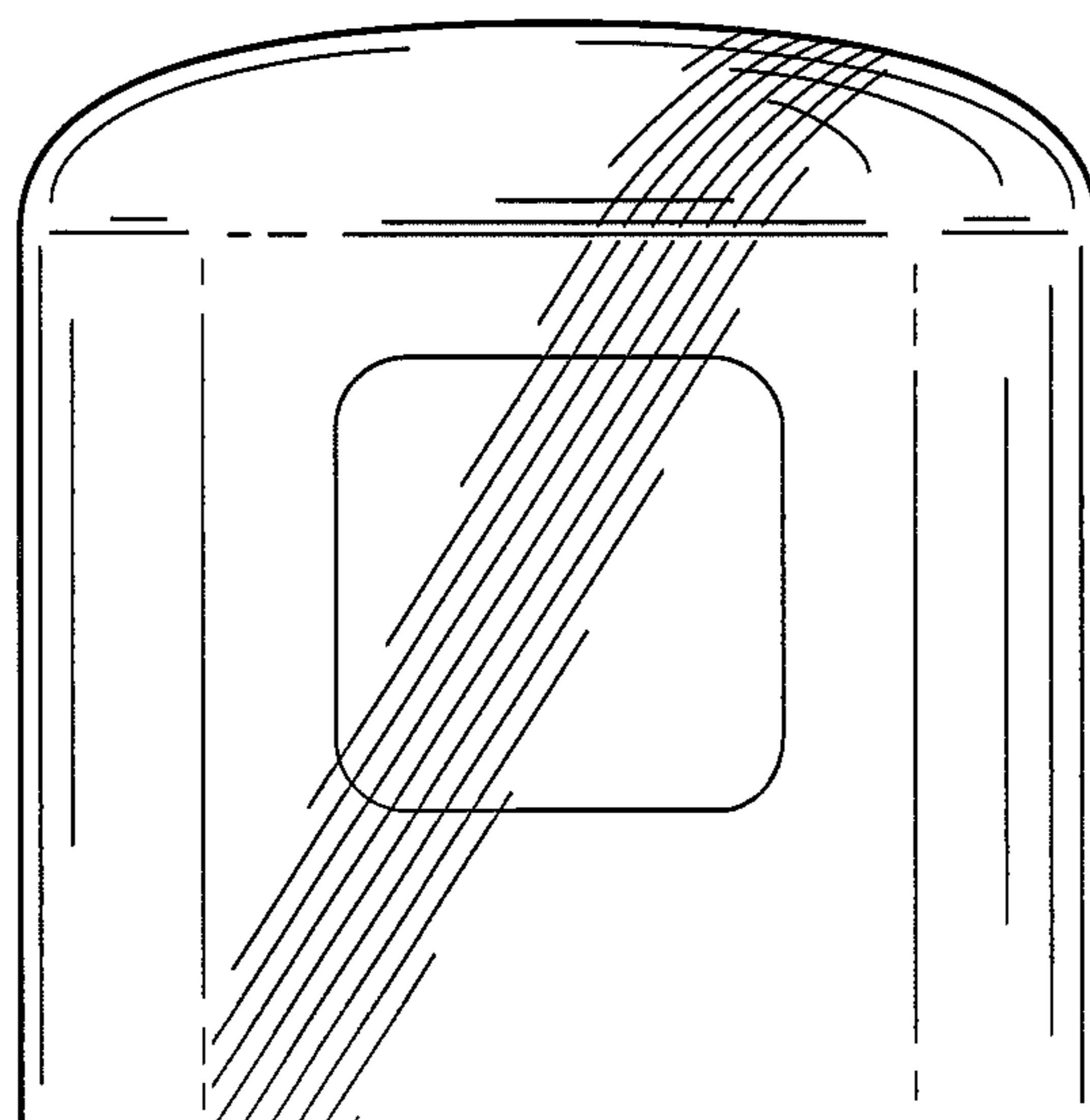


FIG. 12

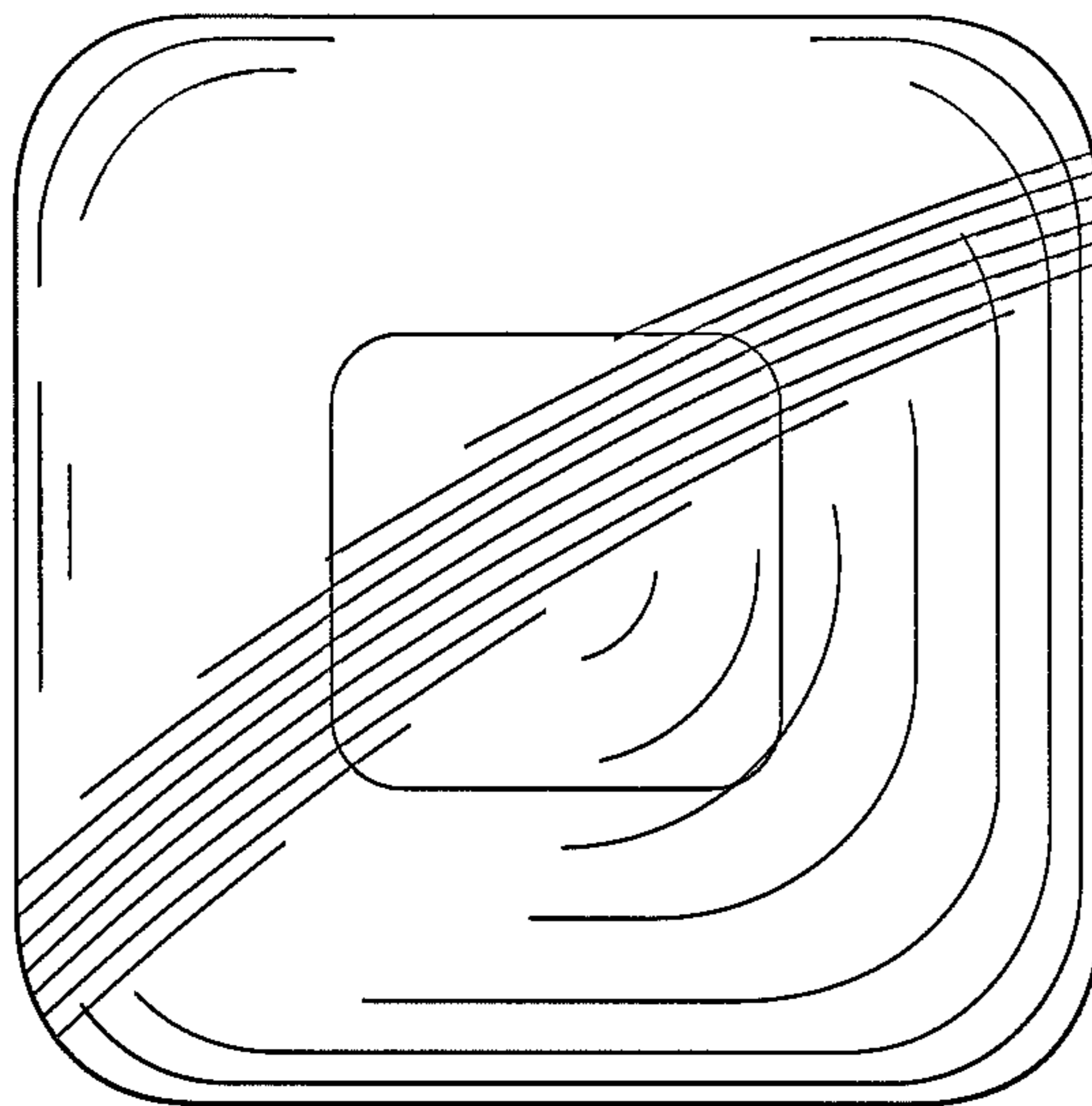


FIG. 13

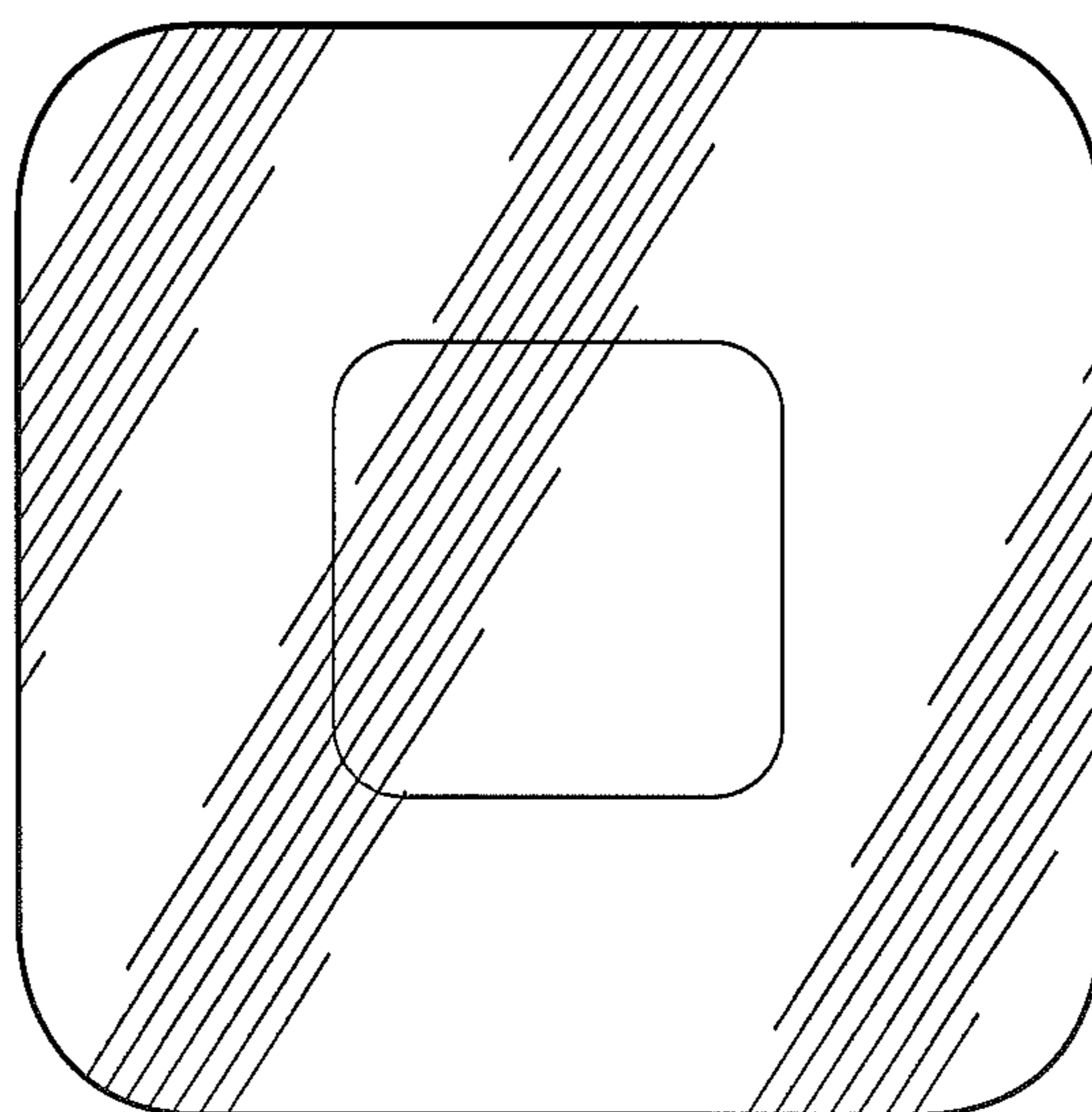


FIG. 14

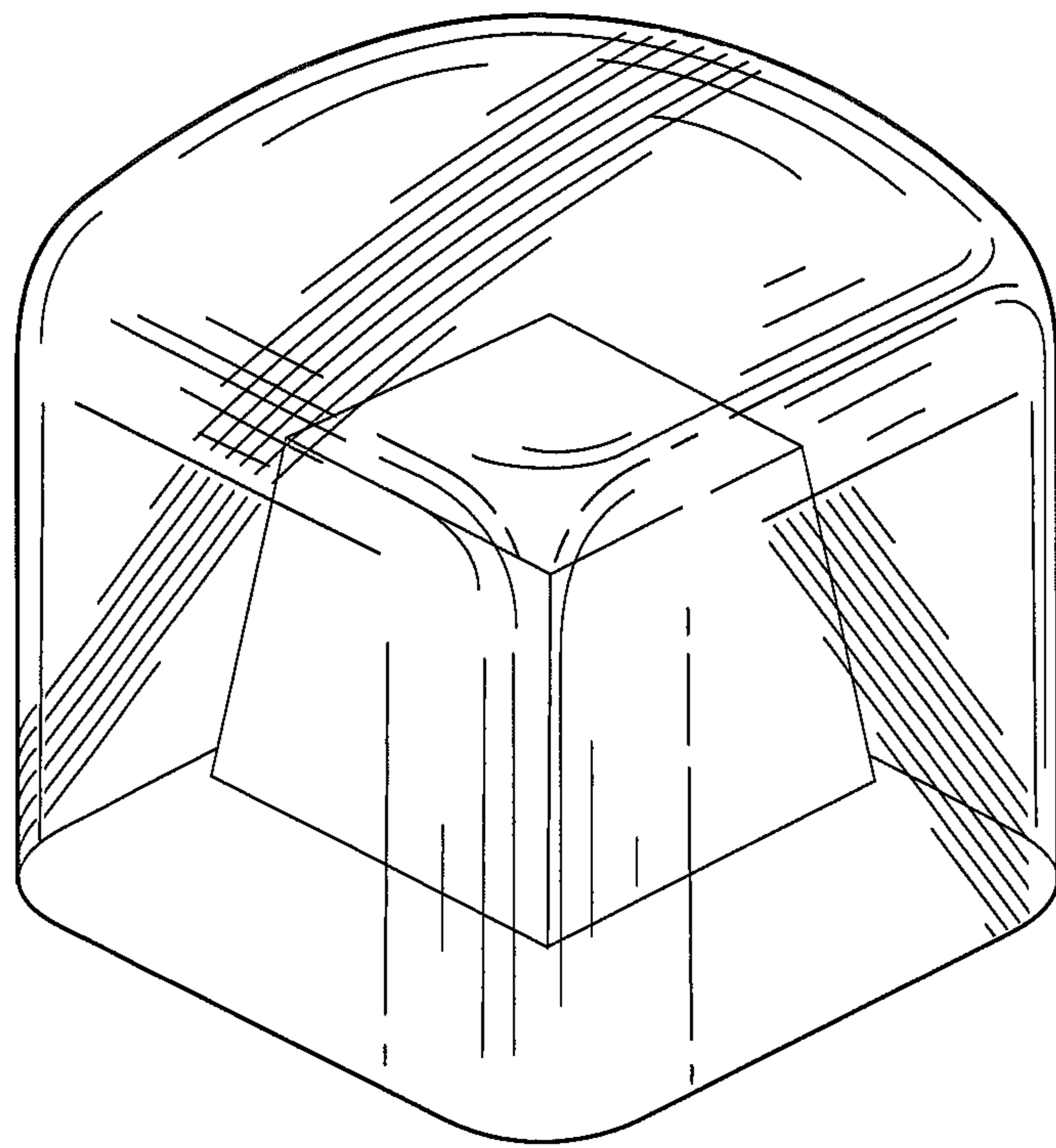


FIG. 15

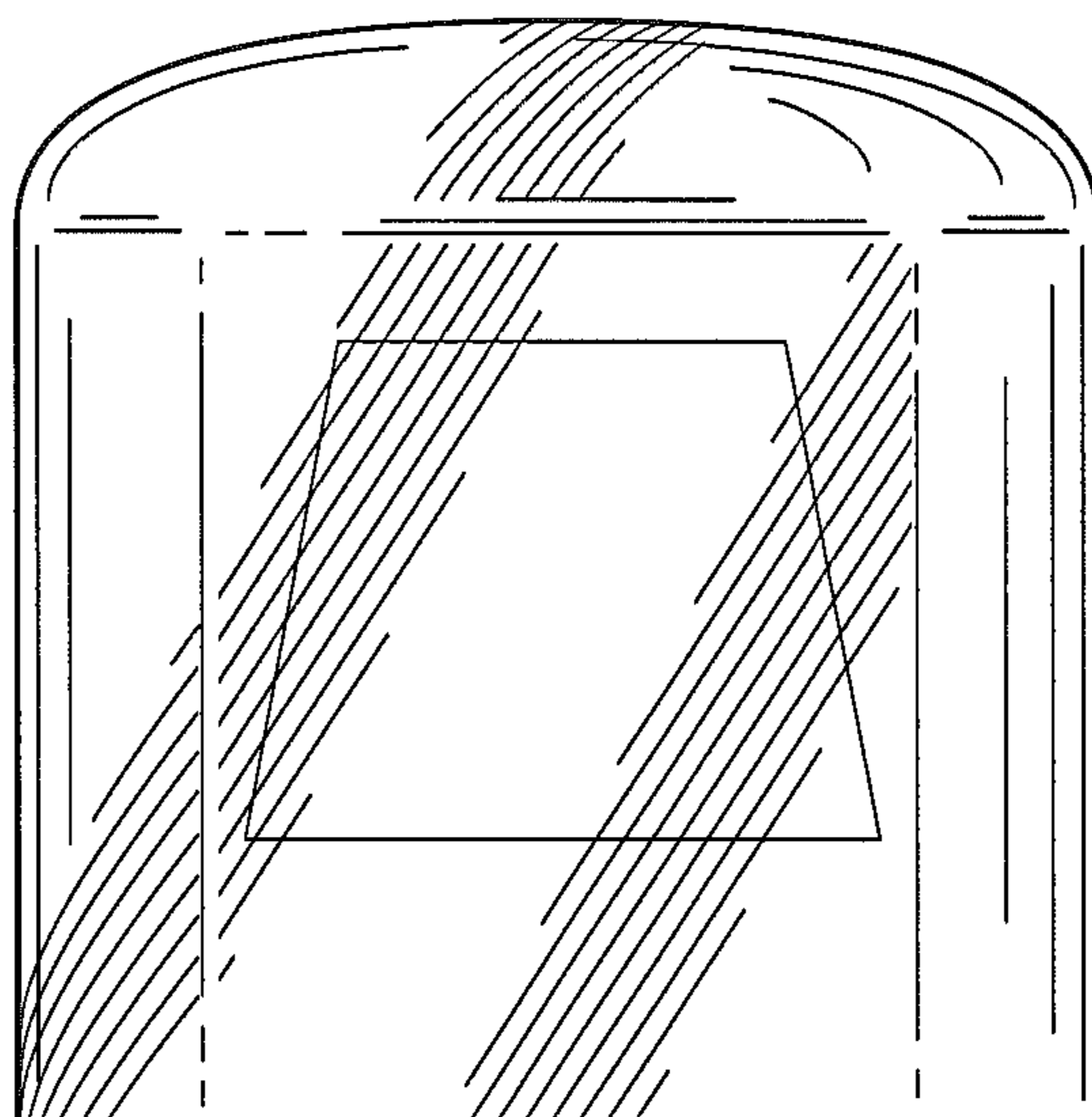


FIG. 16

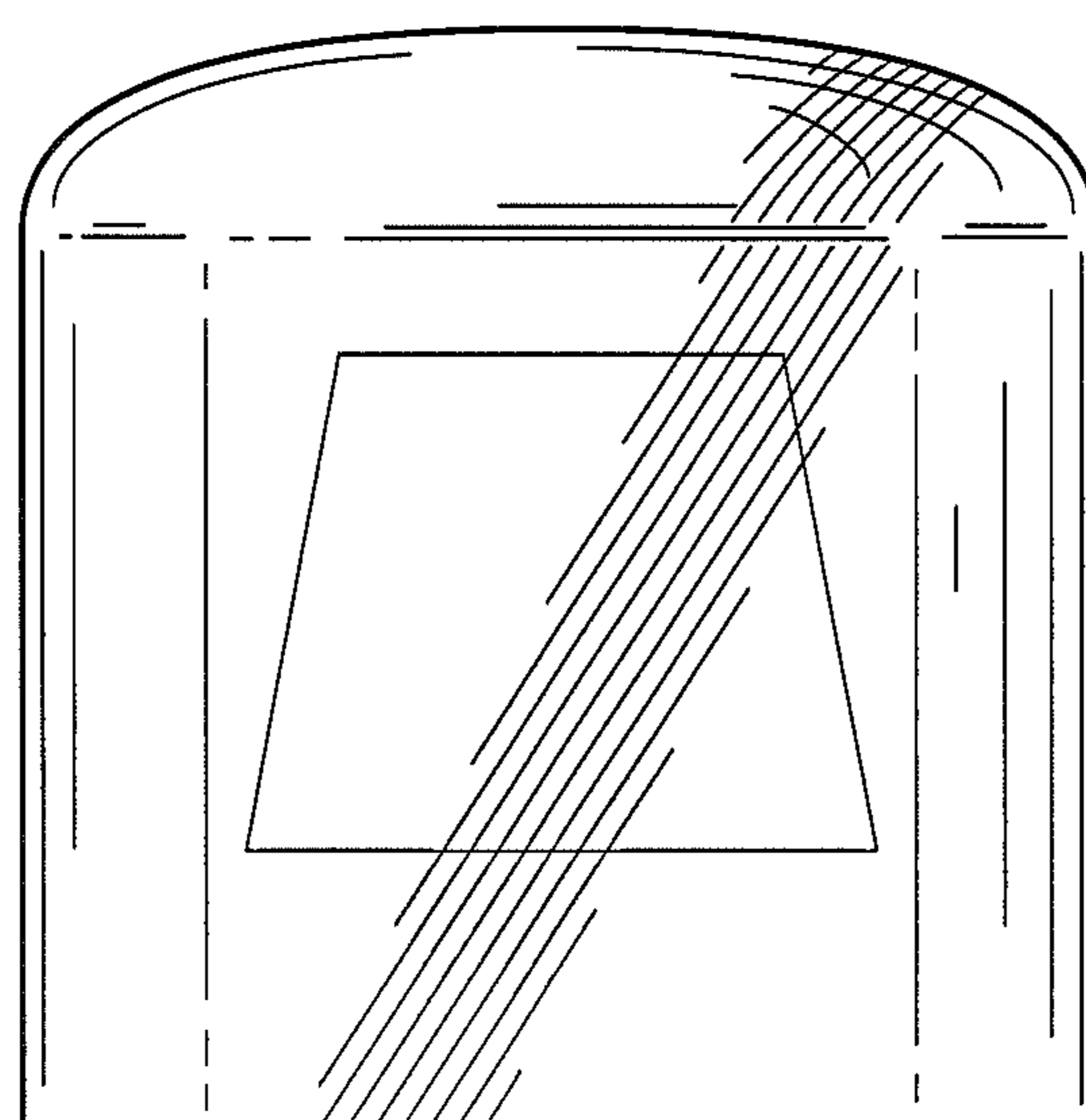


FIG. 17

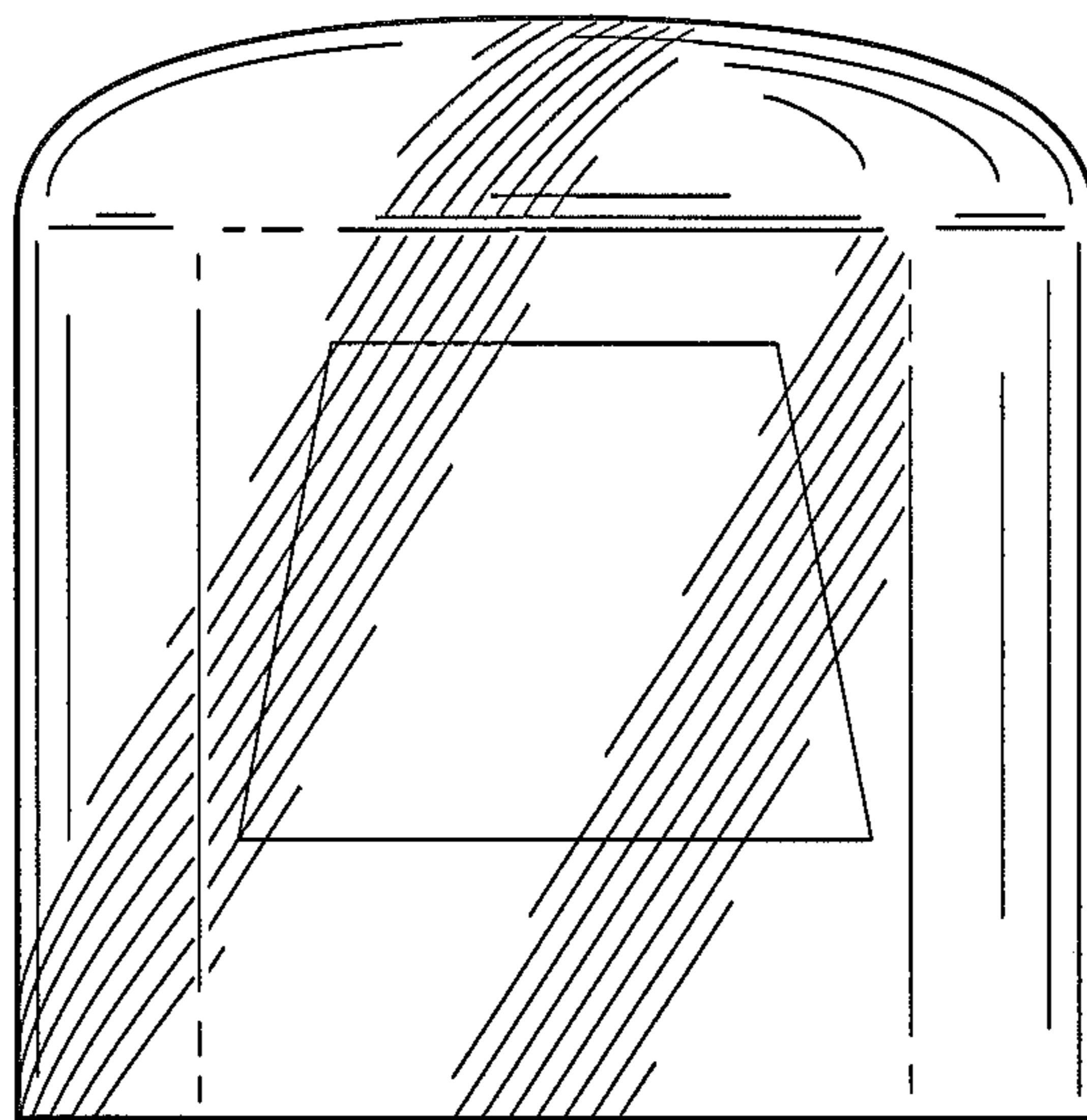


FIG. 18

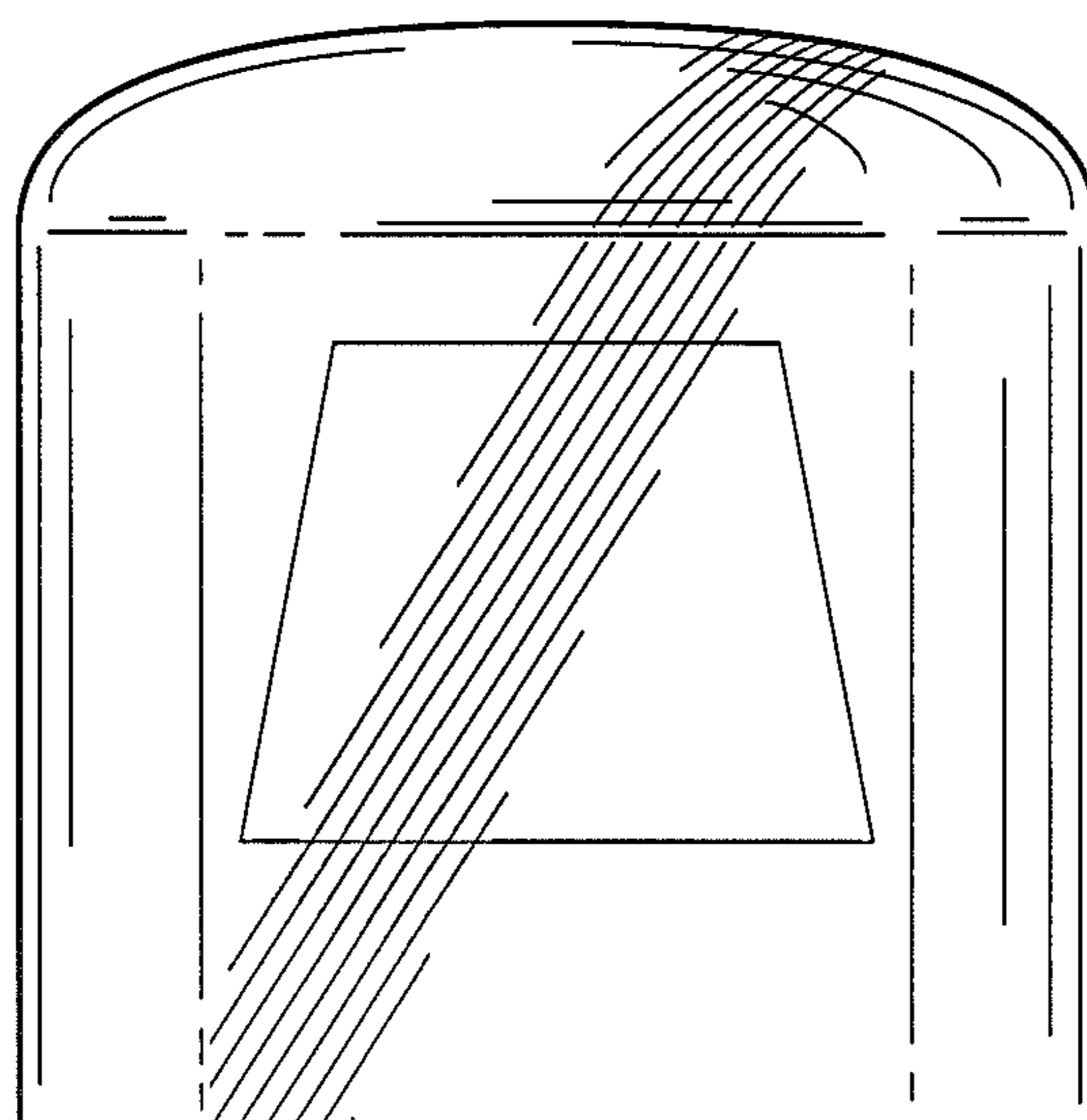


FIG. 19

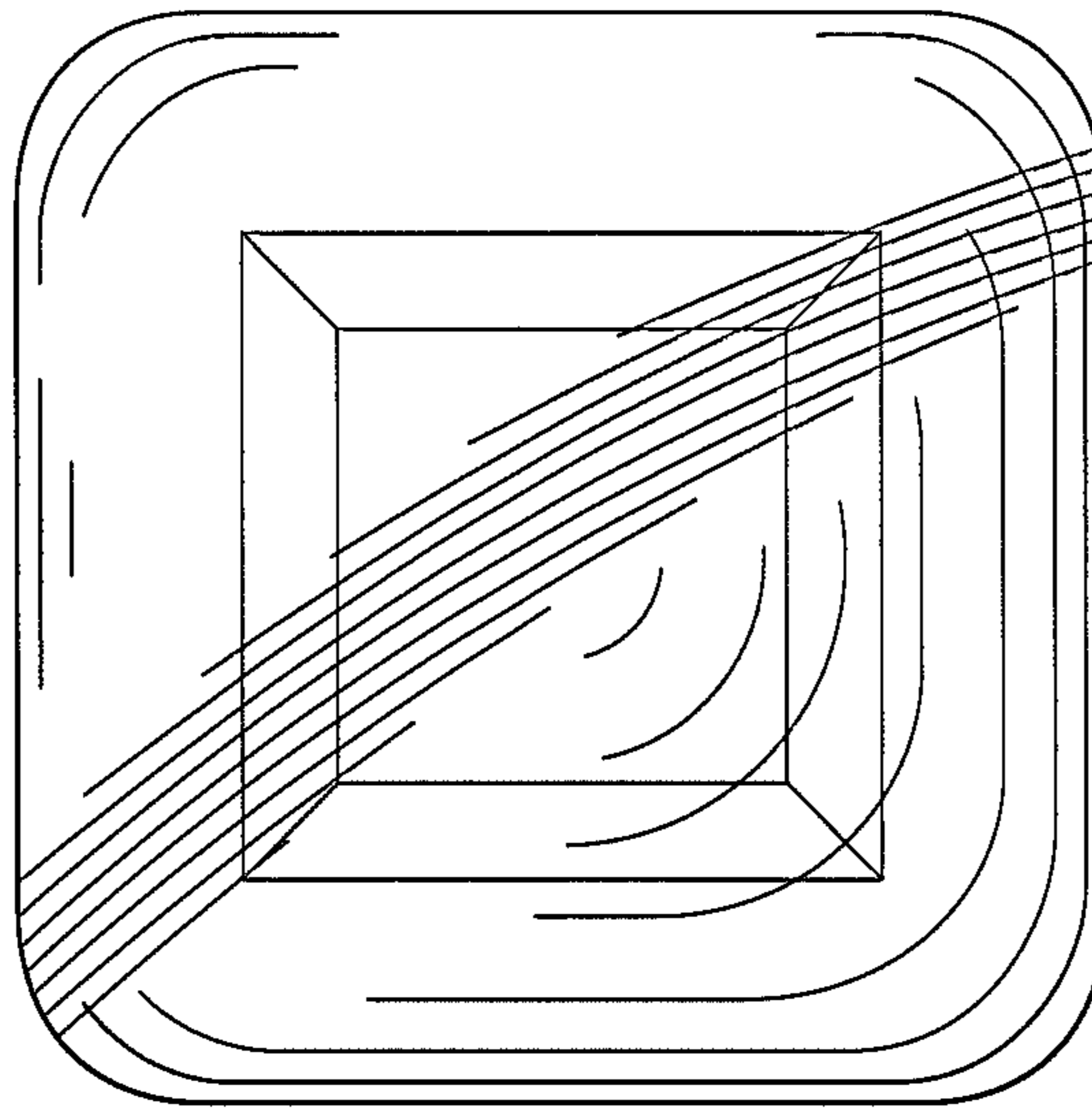


FIG. 20

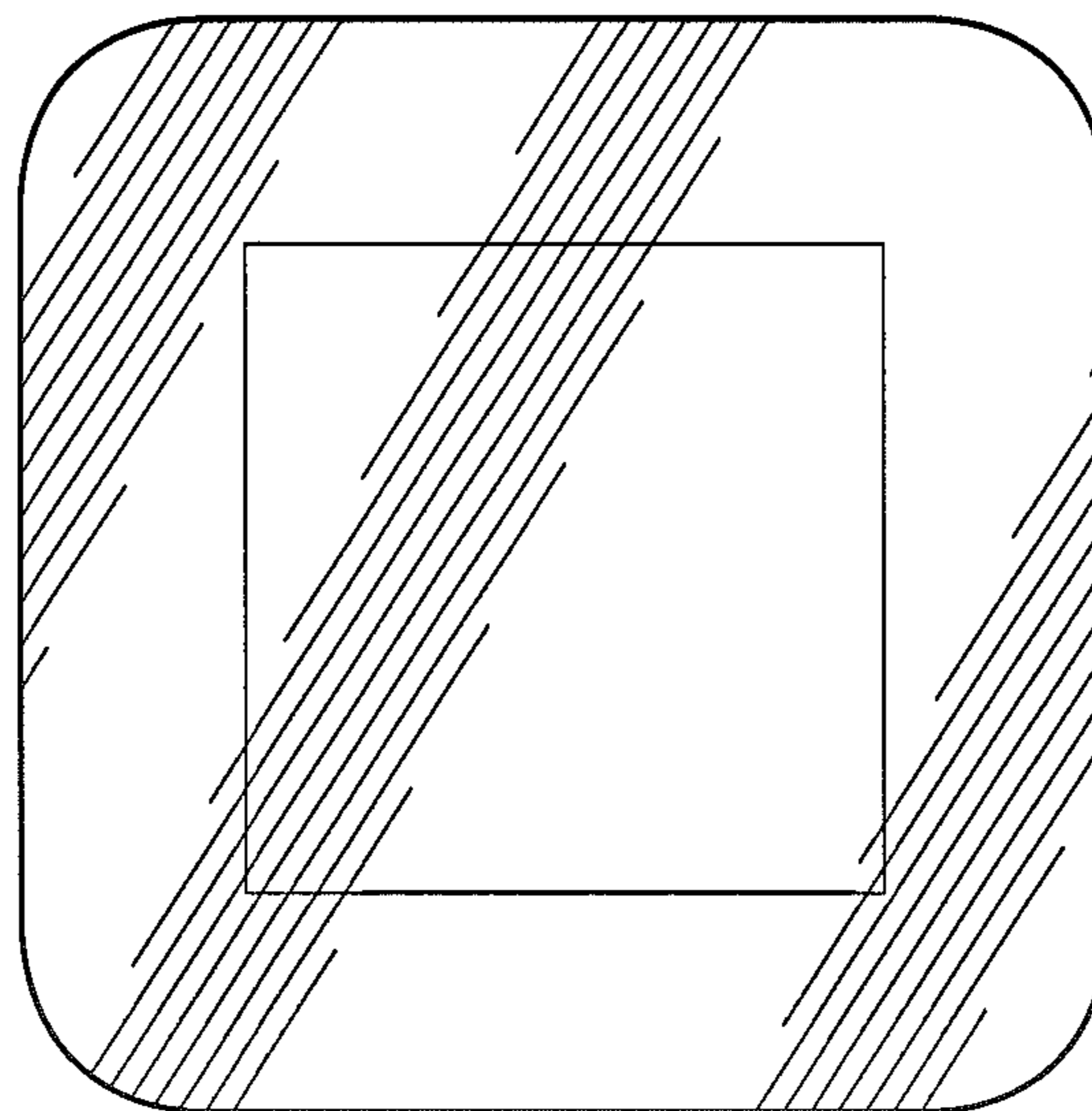


FIG. 21

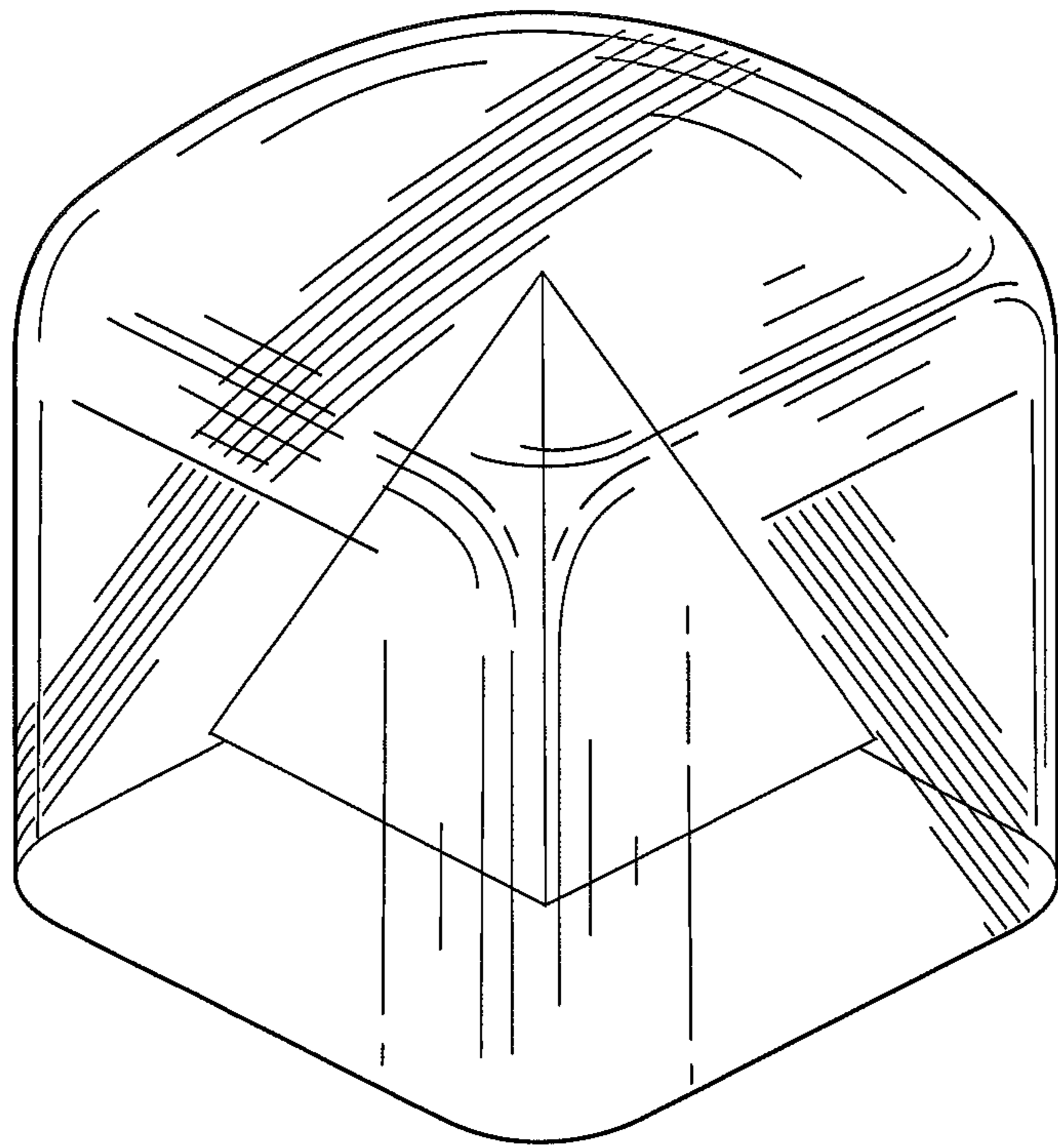


FIG. 22

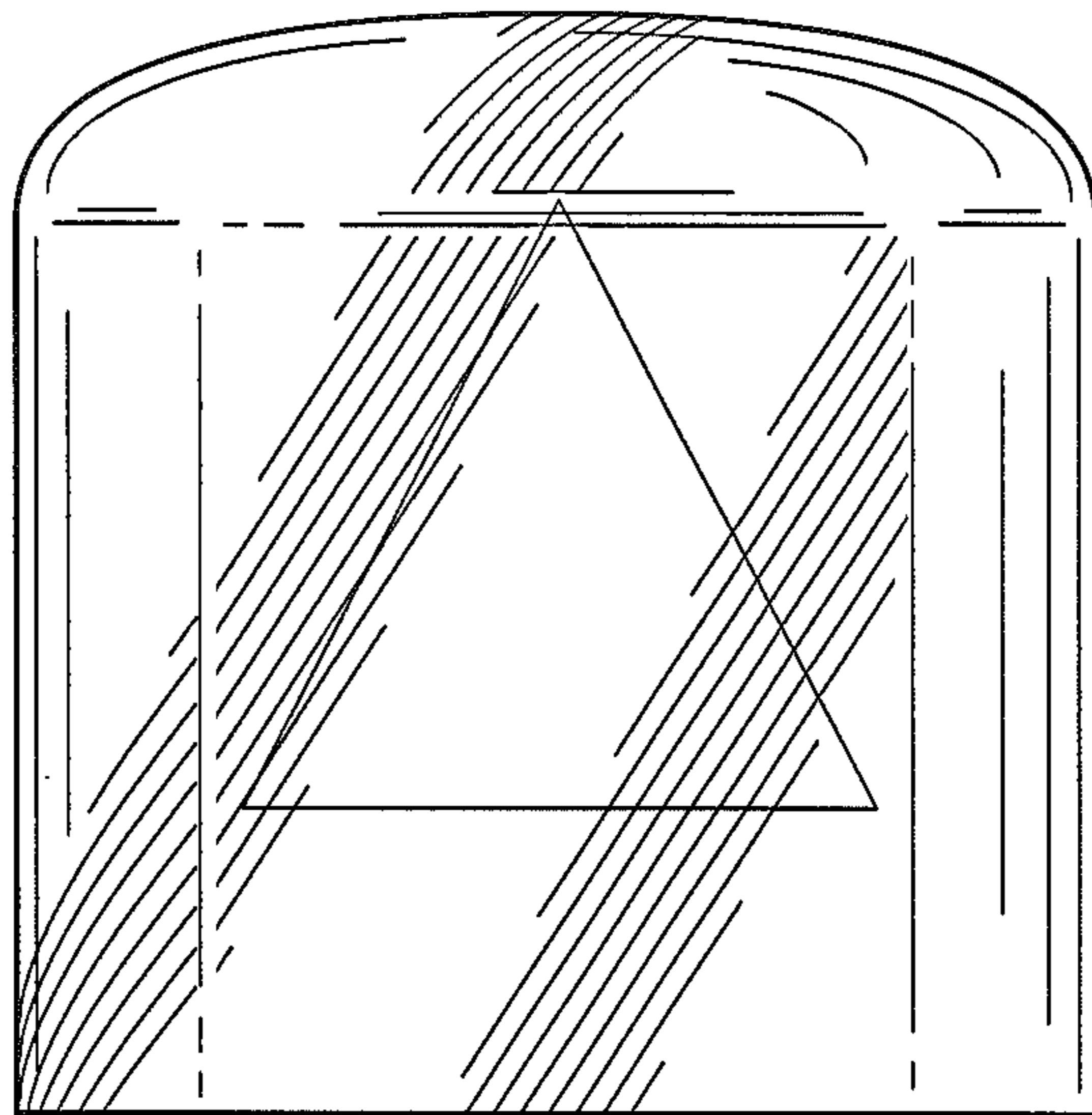


FIG. 23

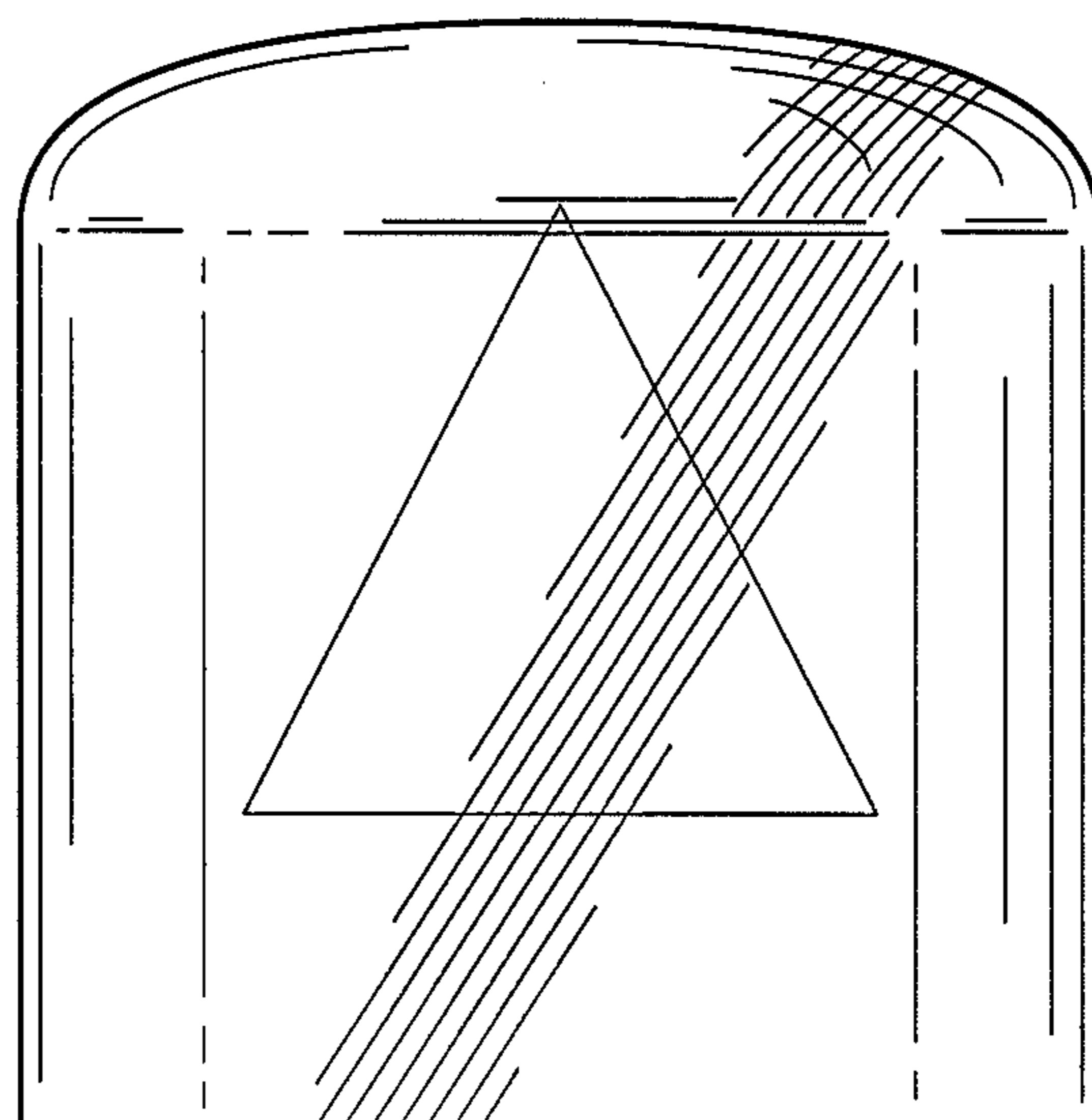


FIG. 24

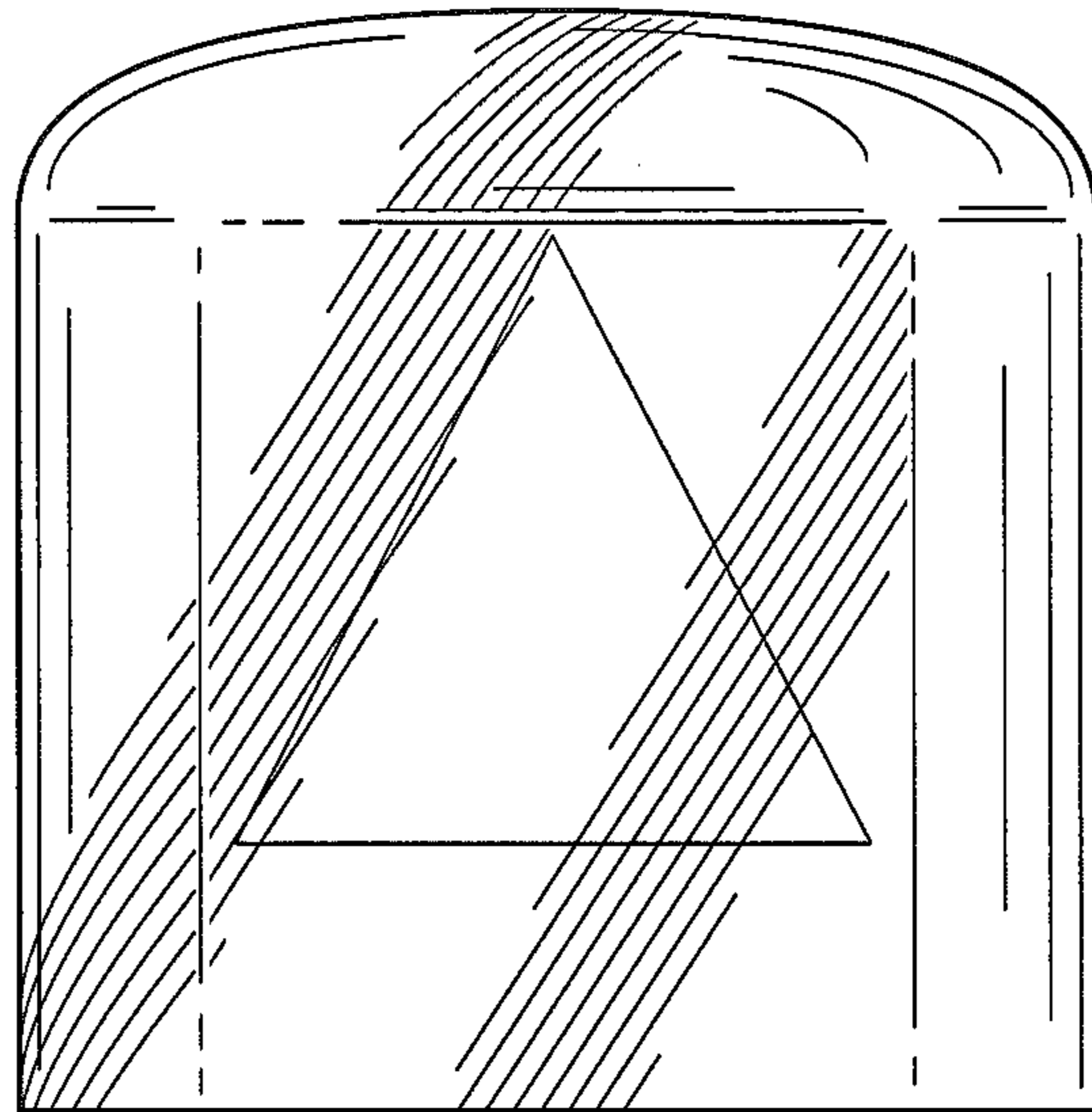


FIG. 25

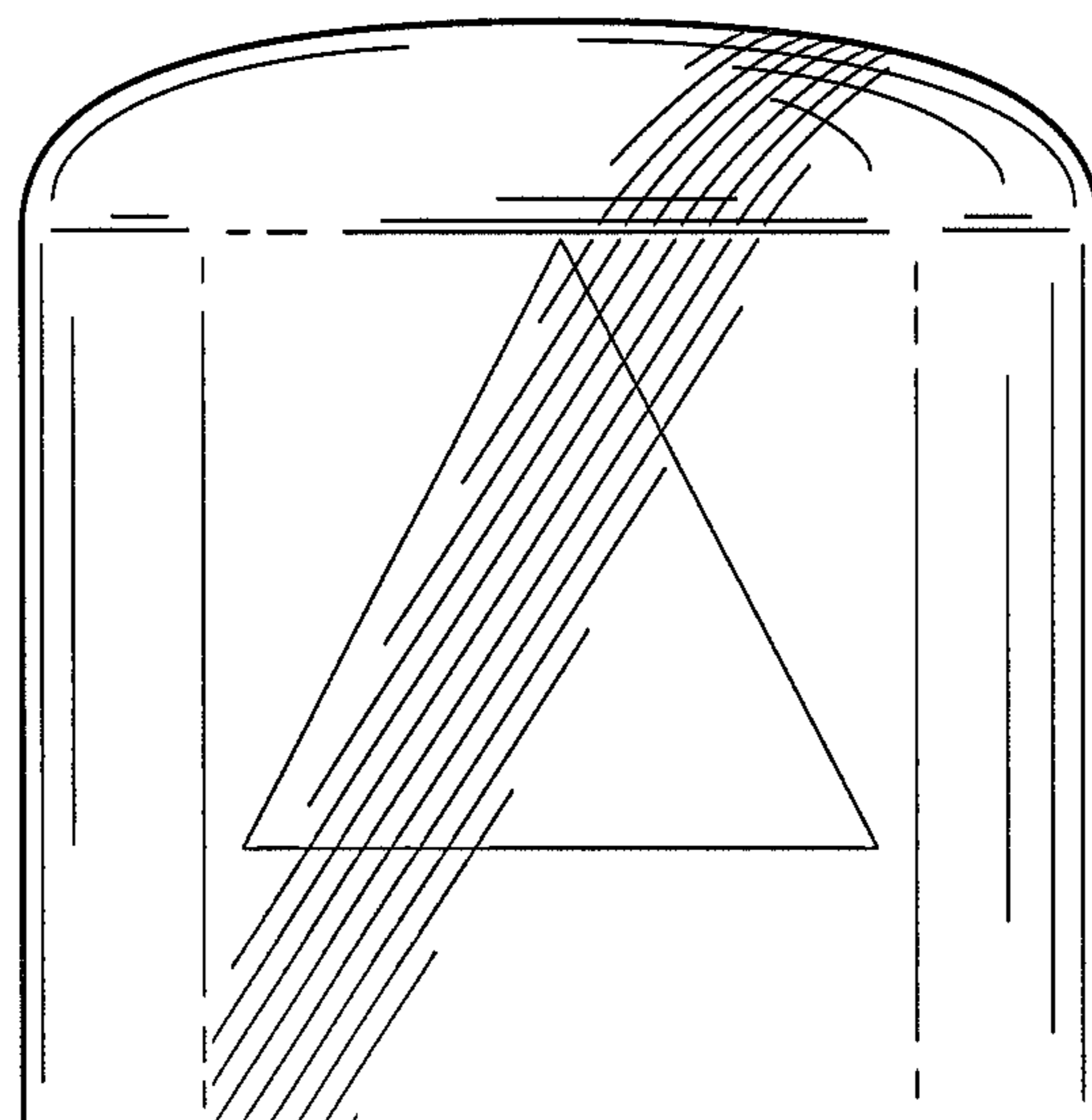


FIG. 26

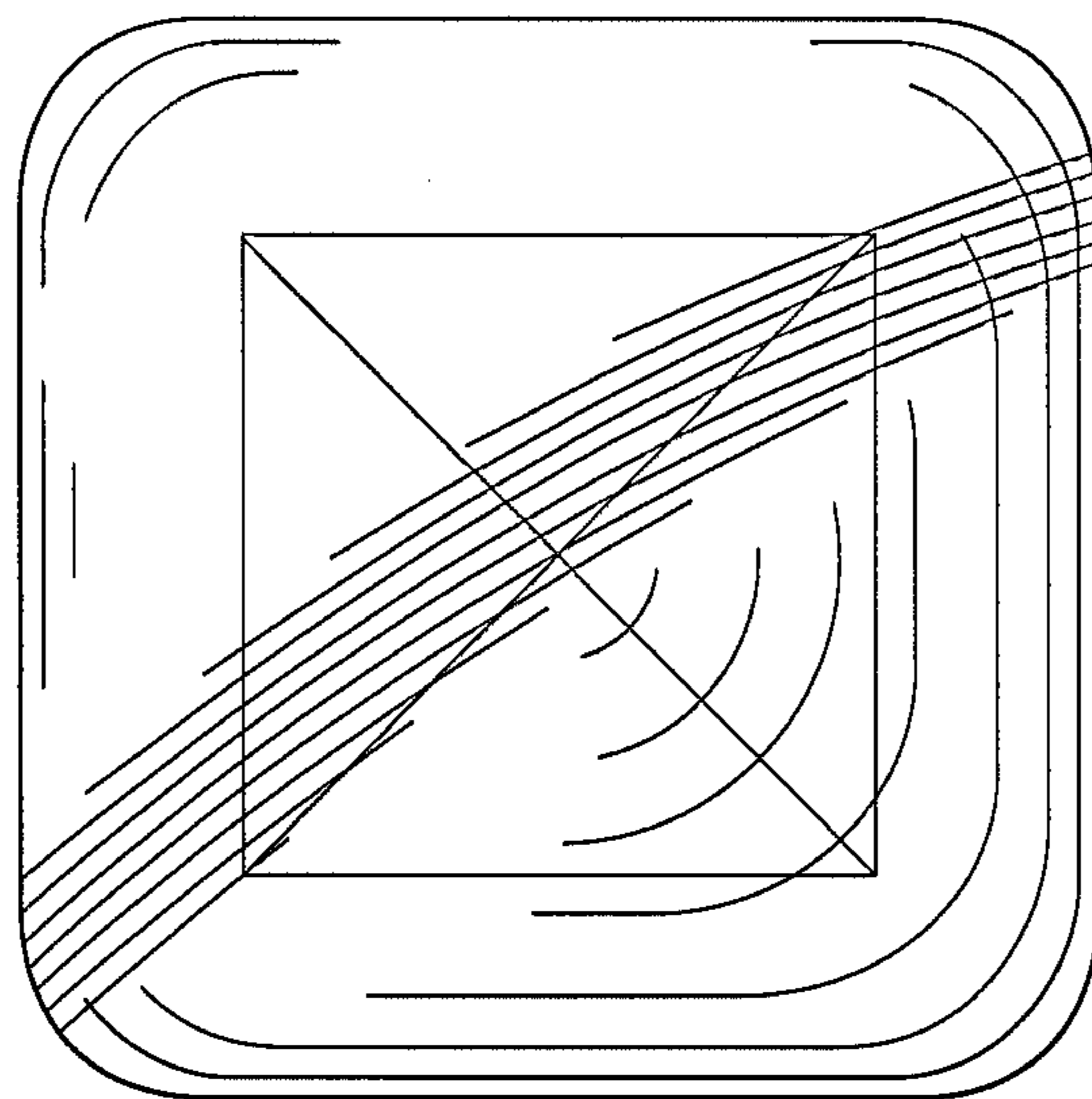


FIG. 27

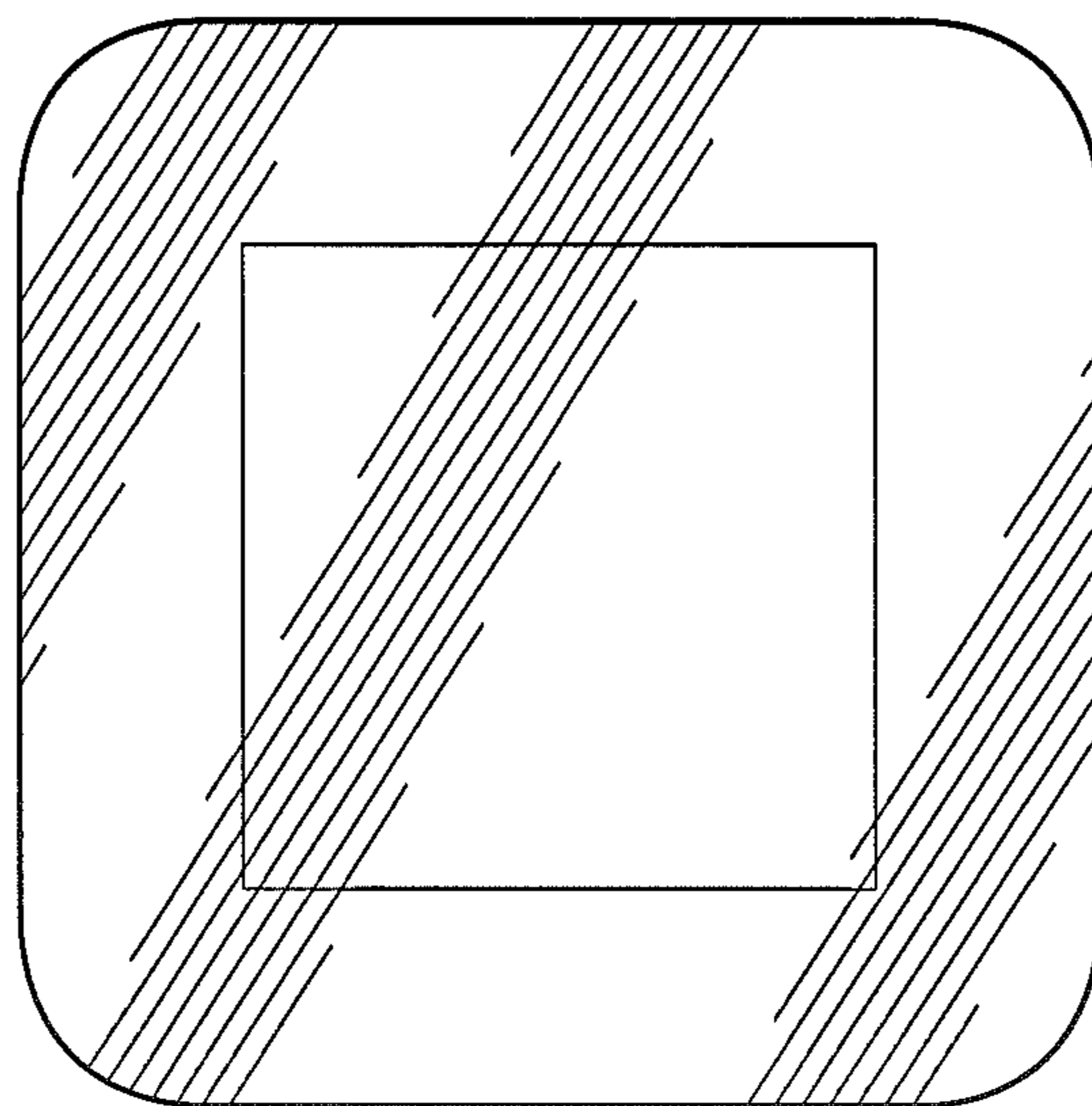


FIG. 28

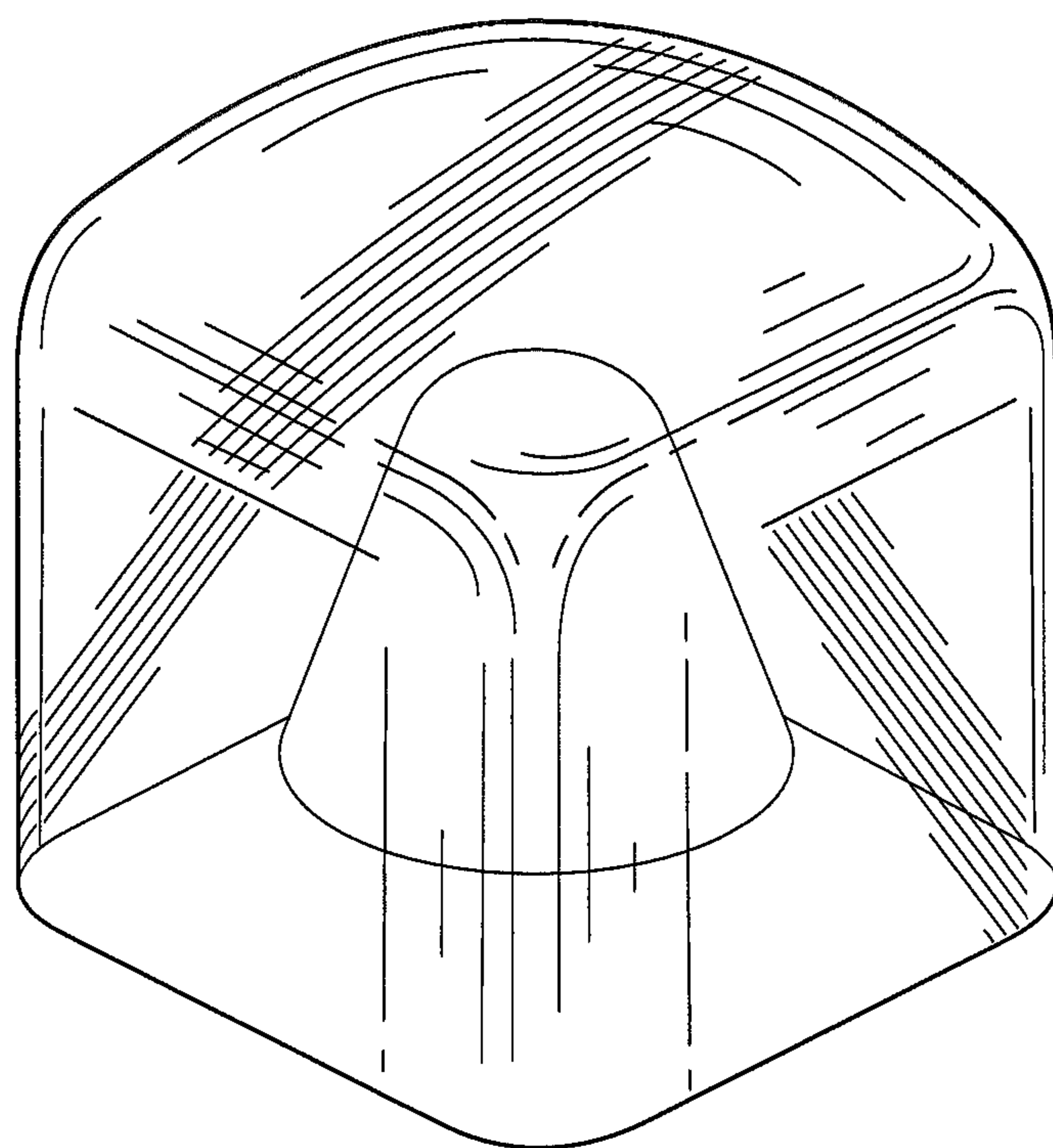


FIG. 29

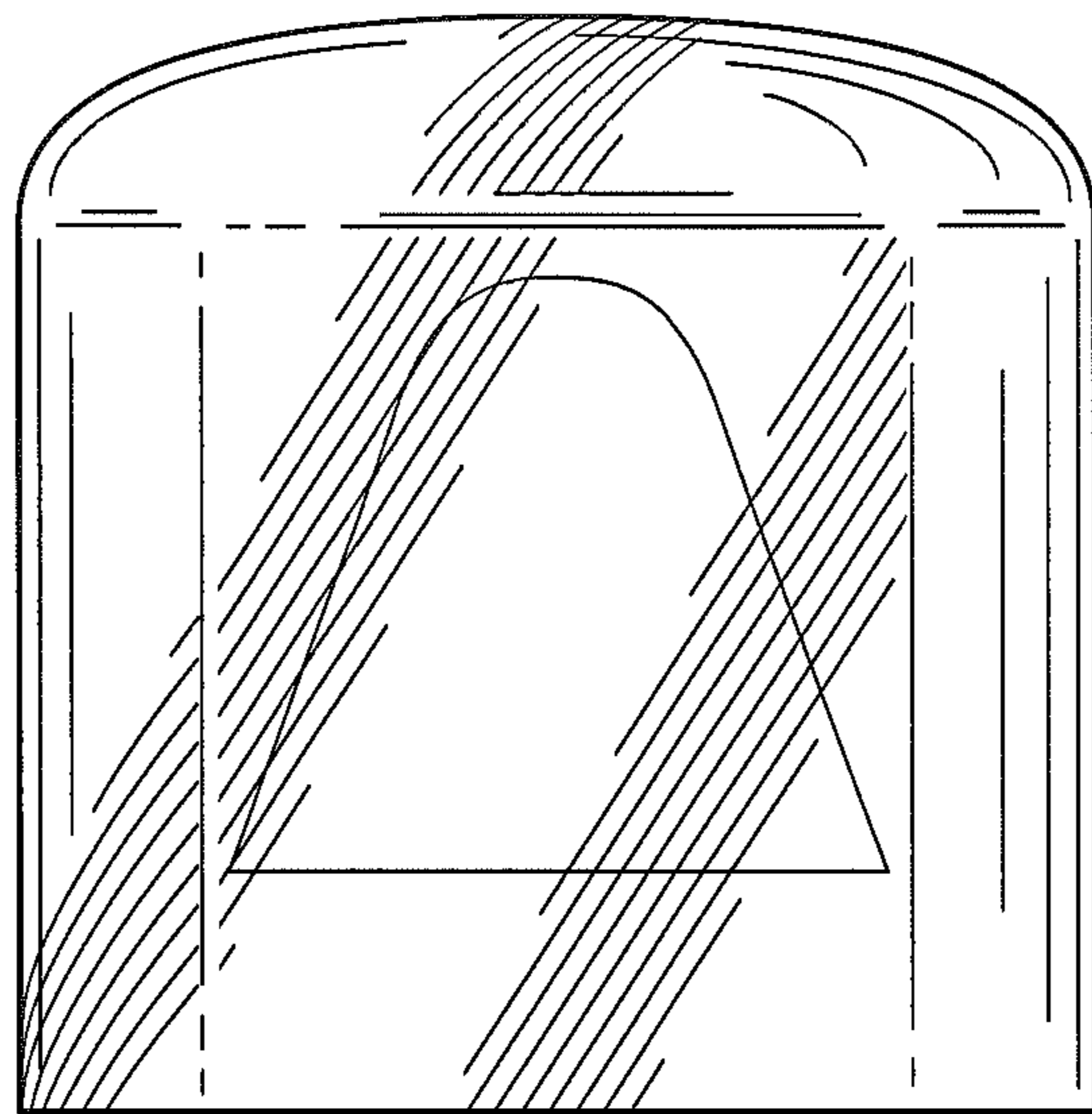


FIG. 30

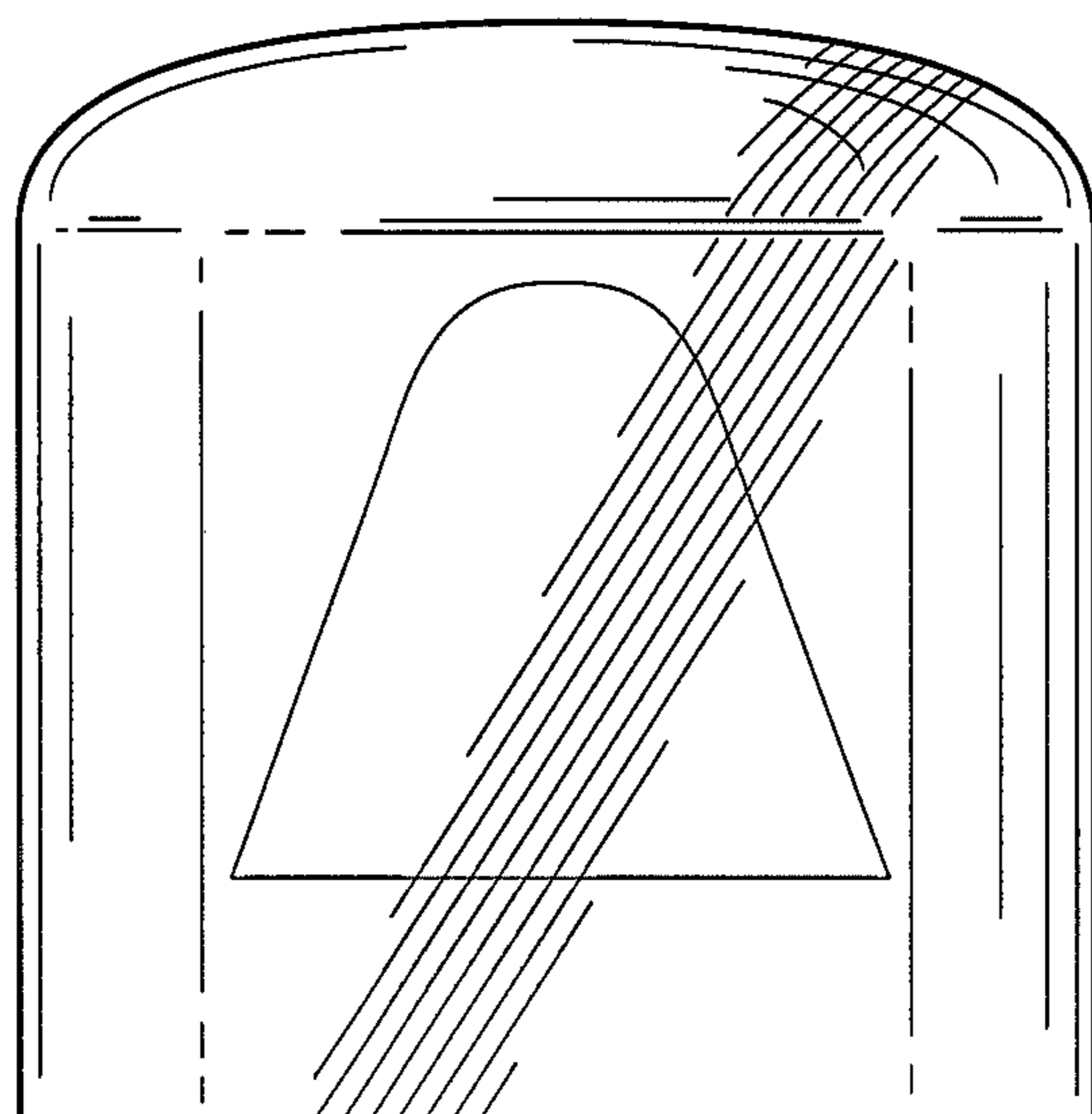


FIG. 31

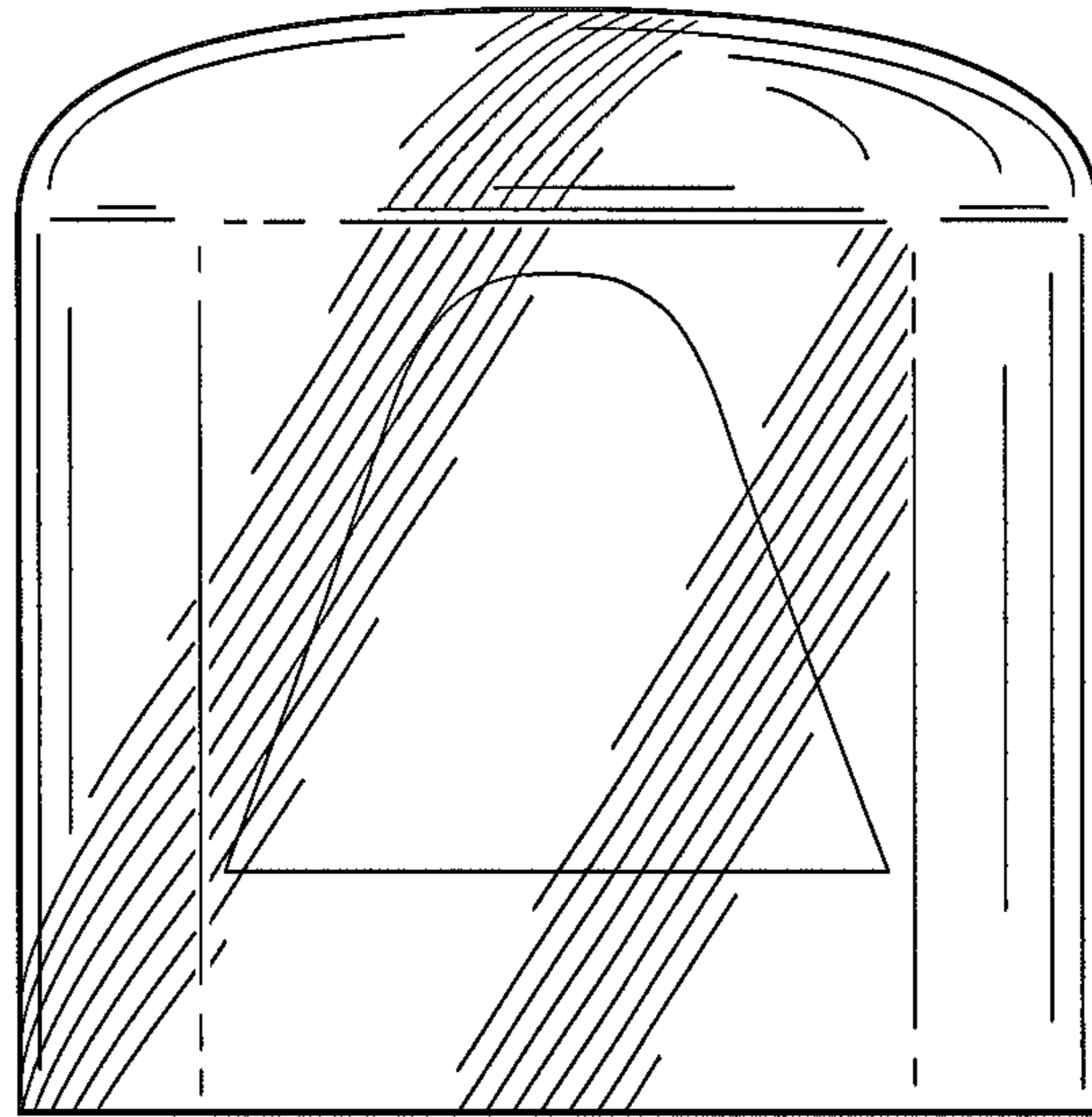


FIG. 32

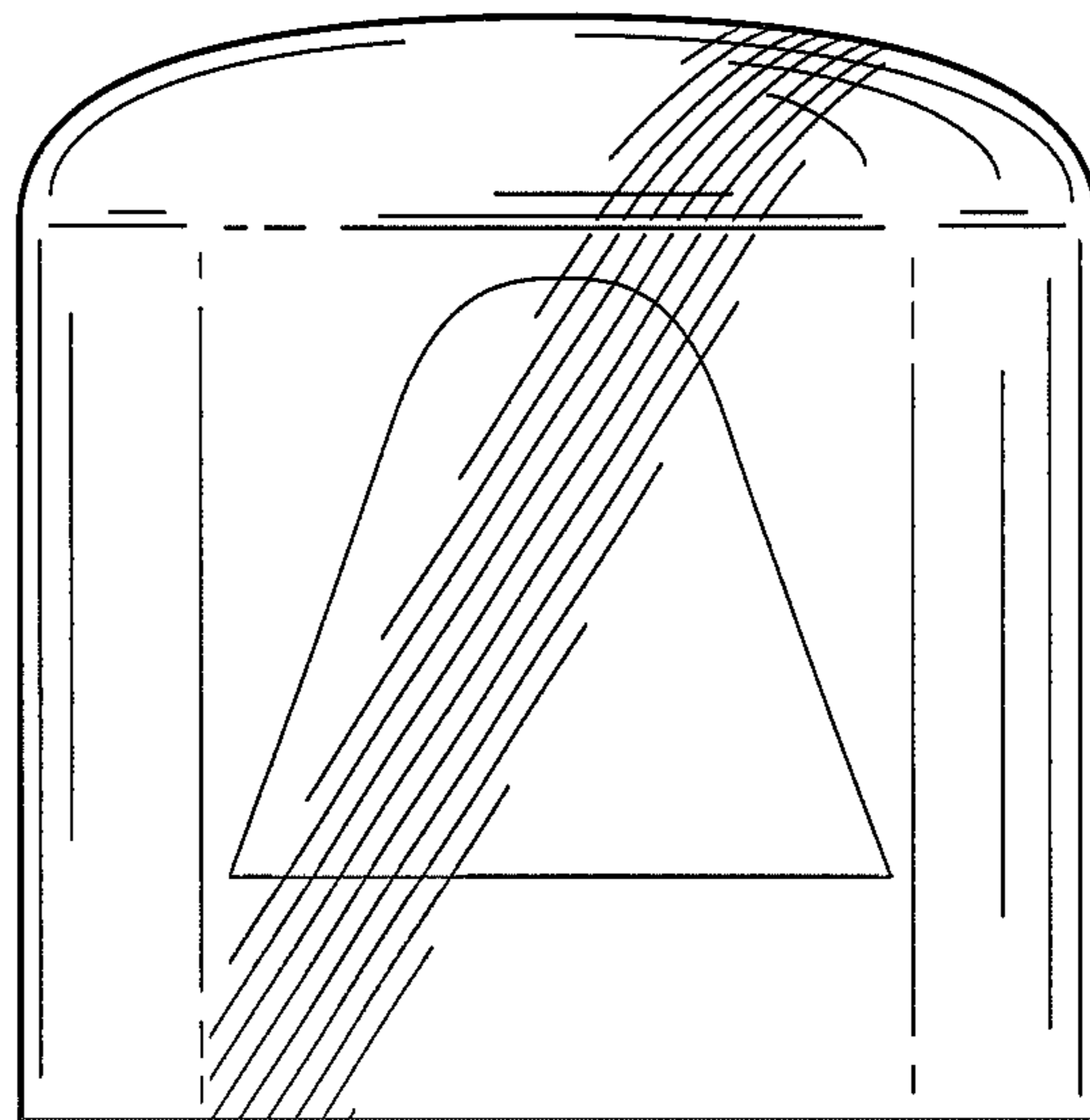


FIG. 33

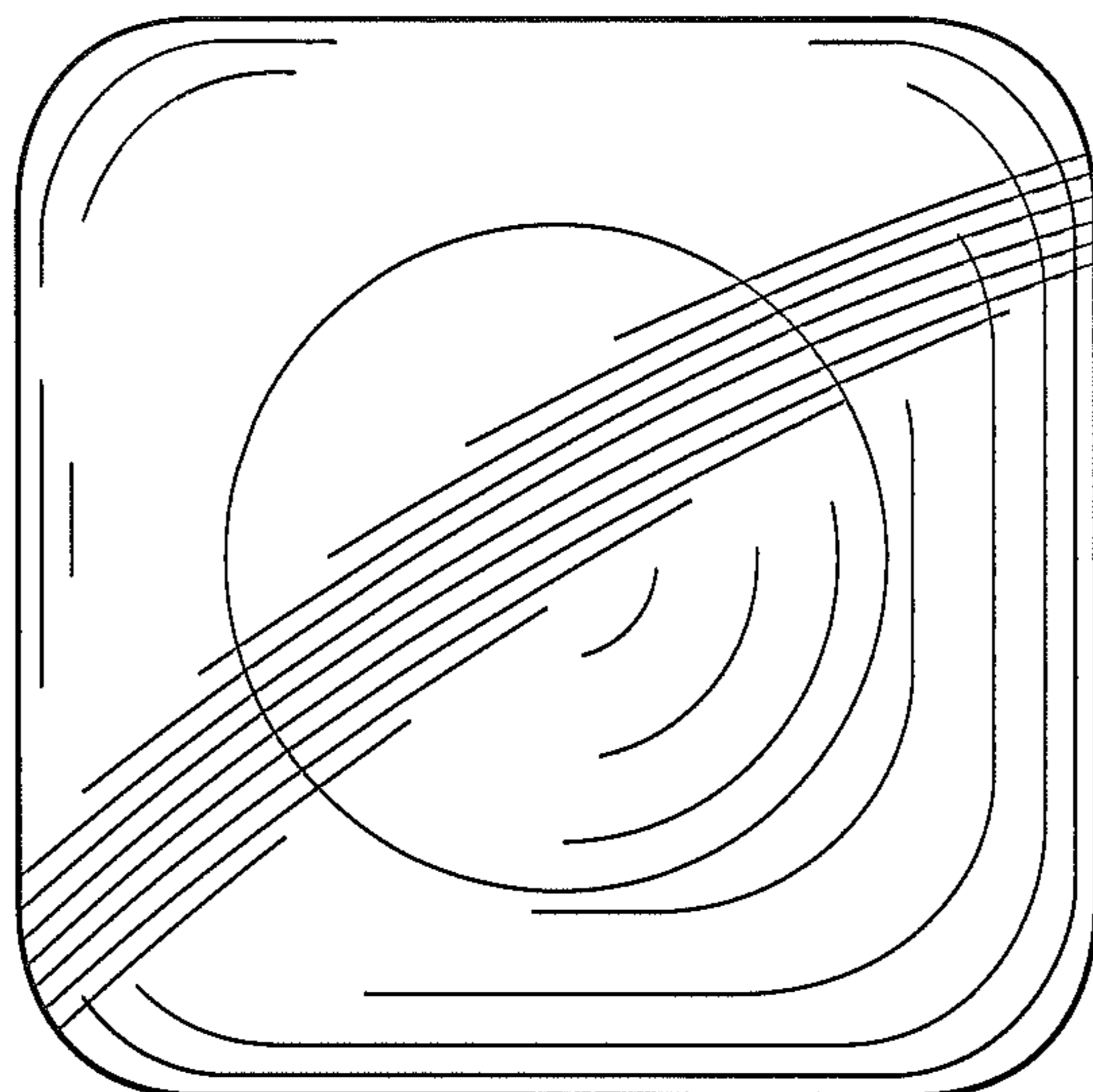


FIG. 34

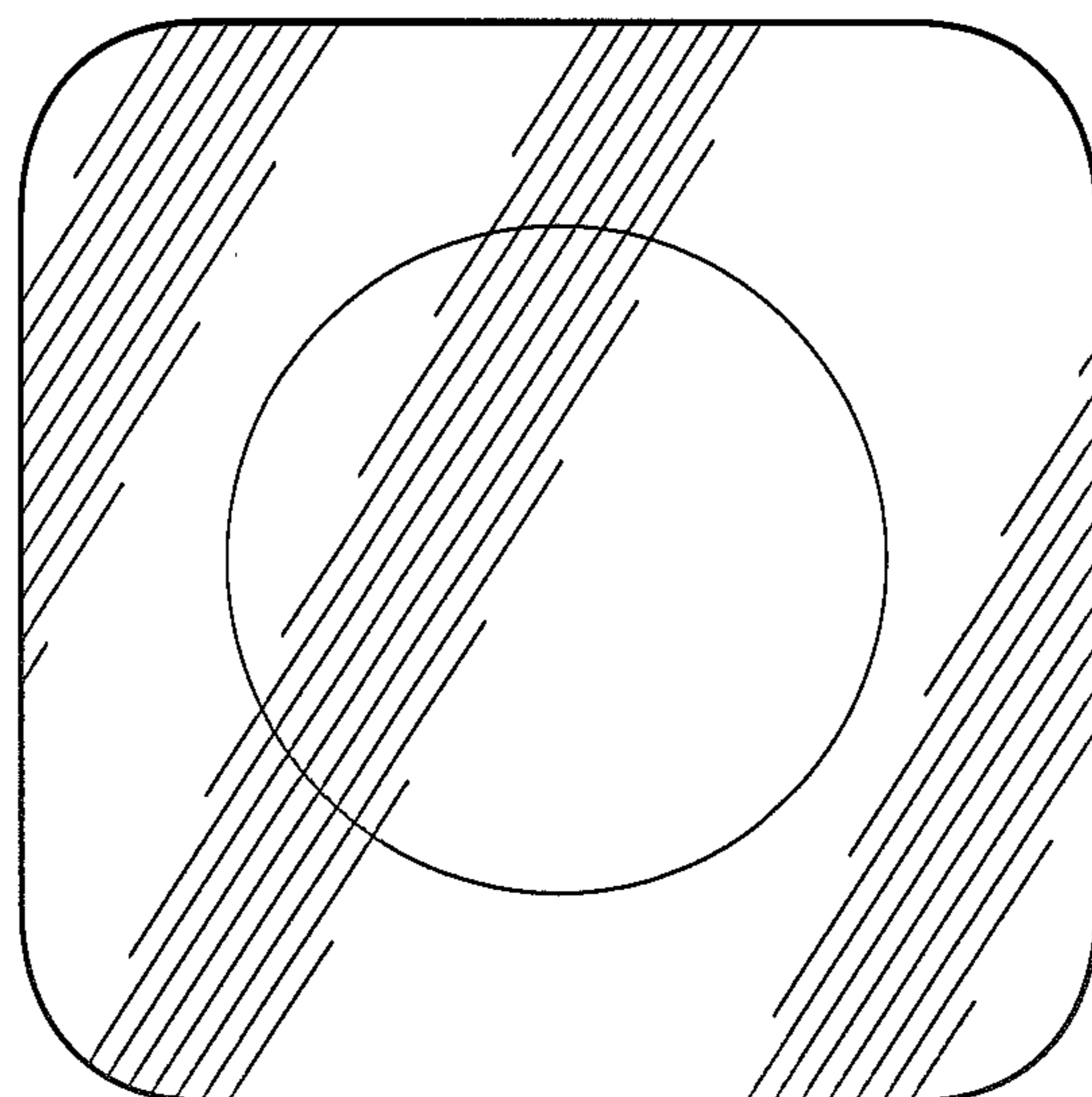


FIG. 35

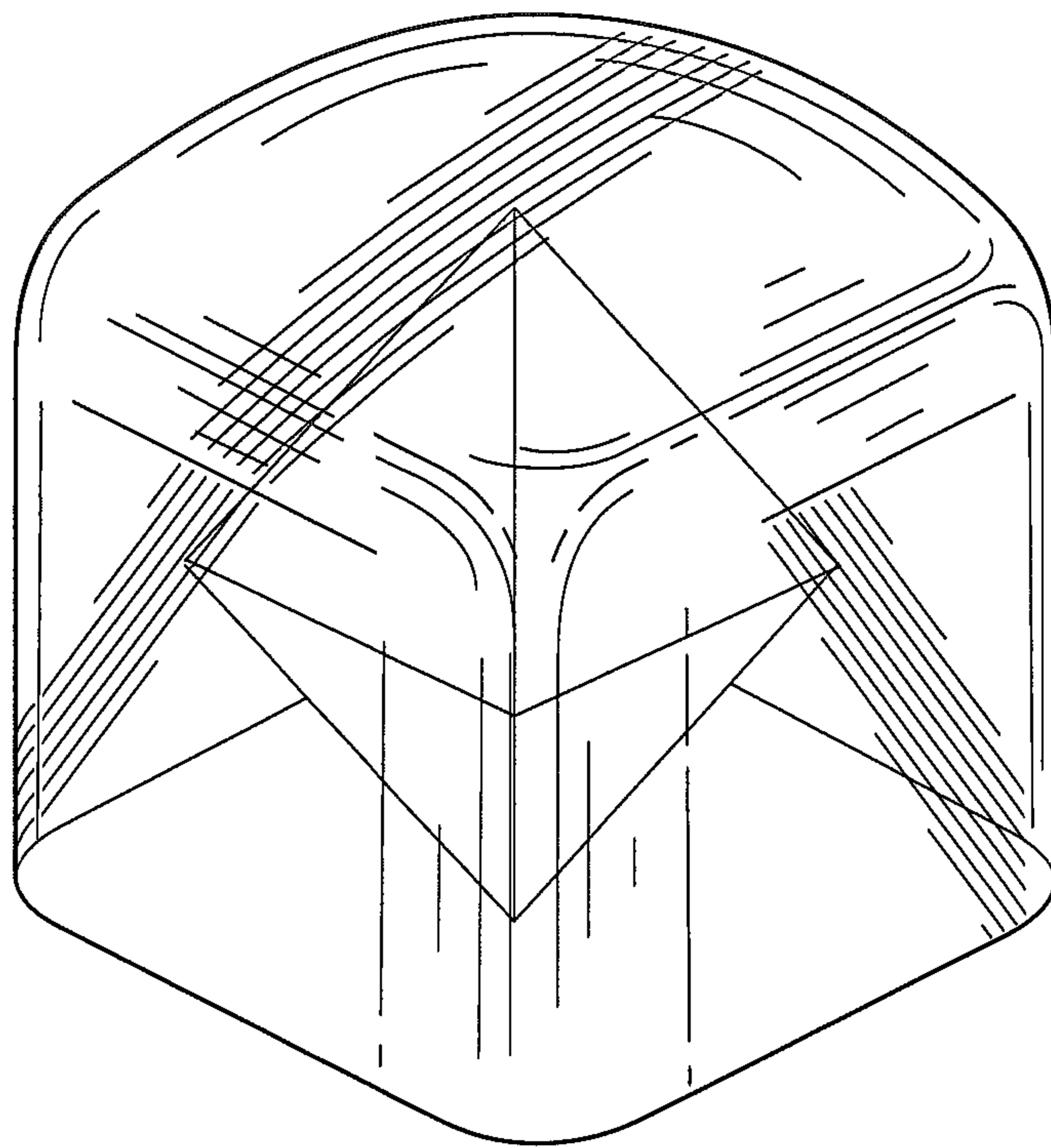


FIG.36

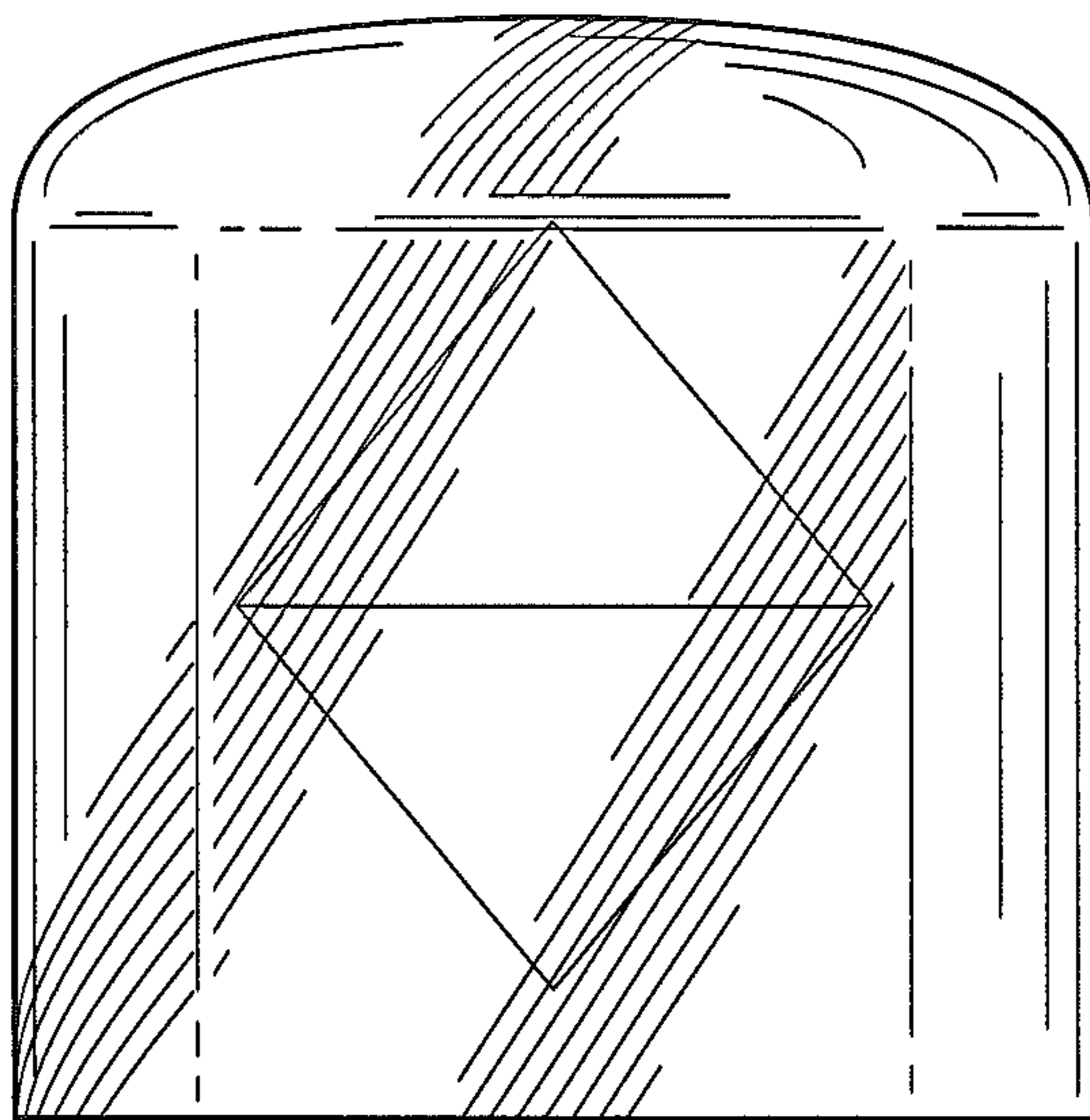


FIG. 37

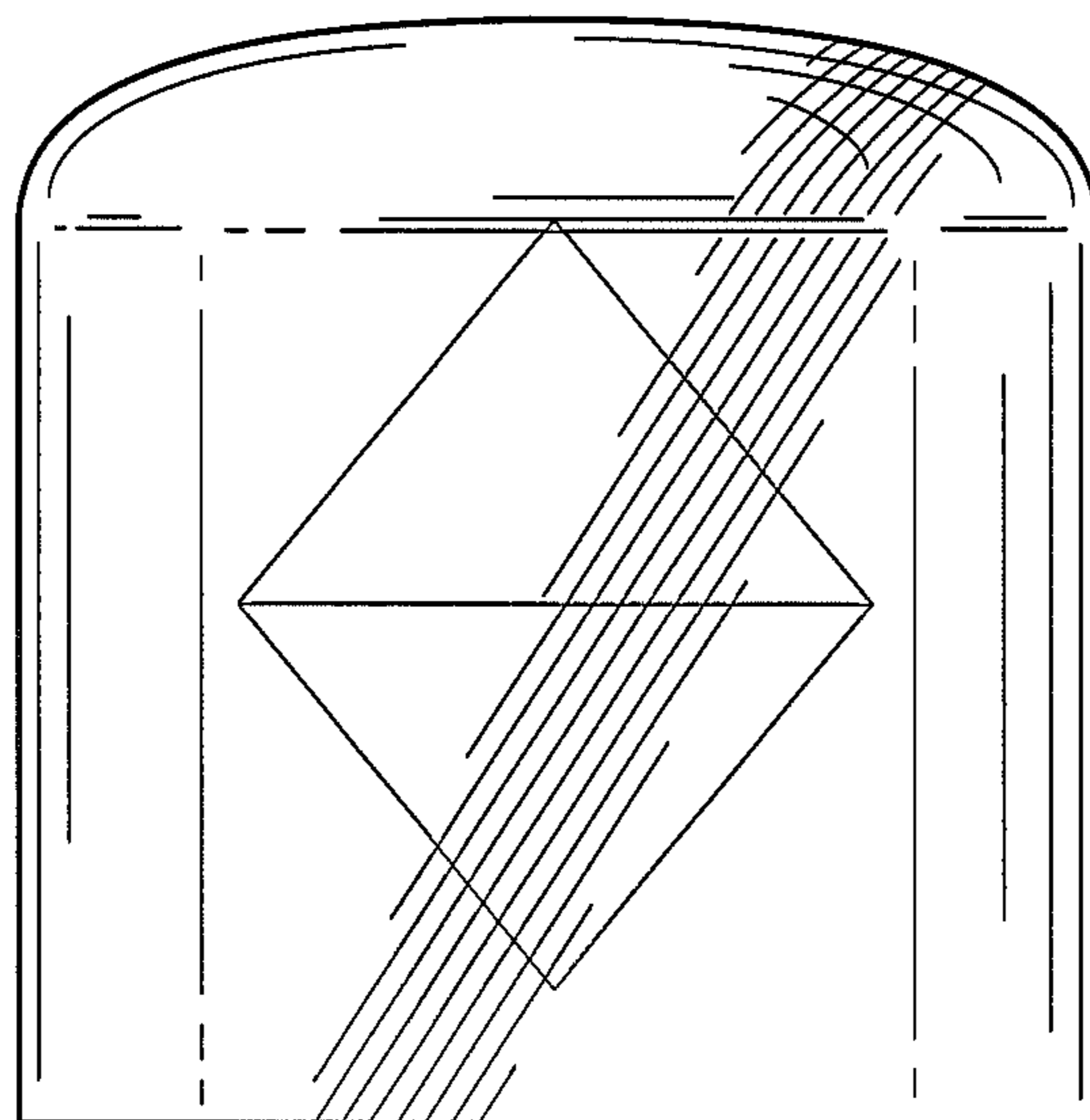


FIG. 38

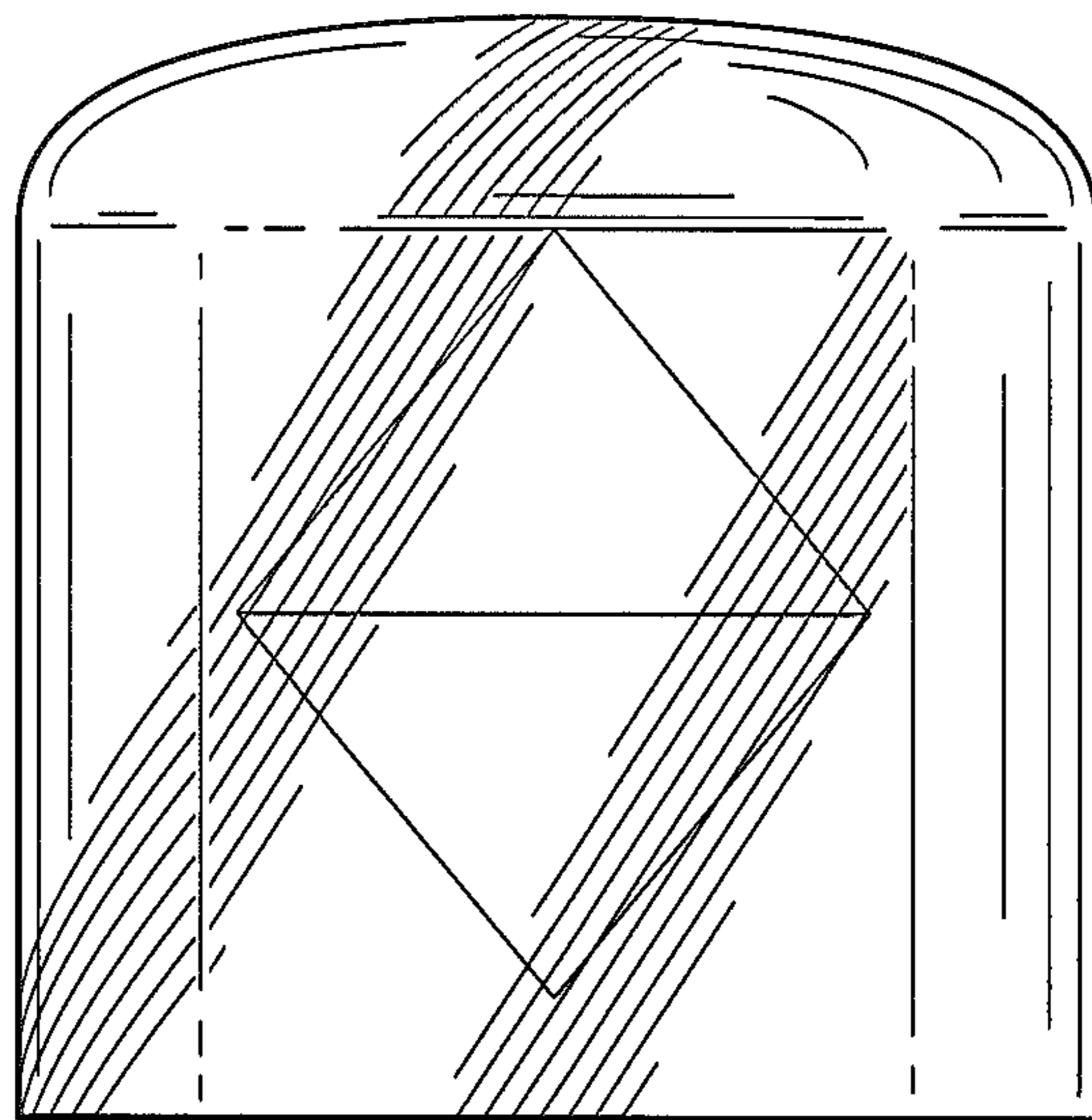


FIG. 39

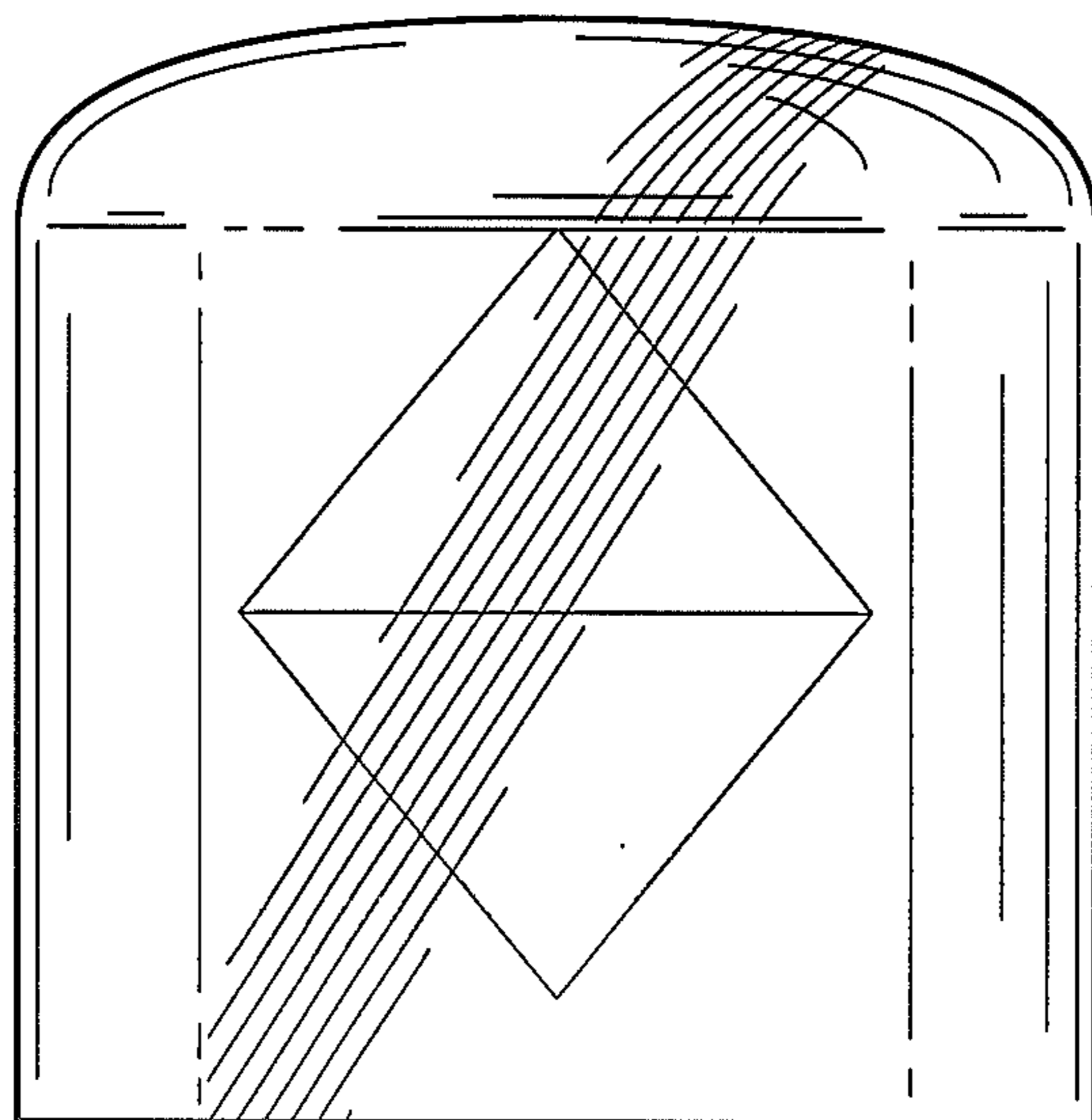


FIG. 40

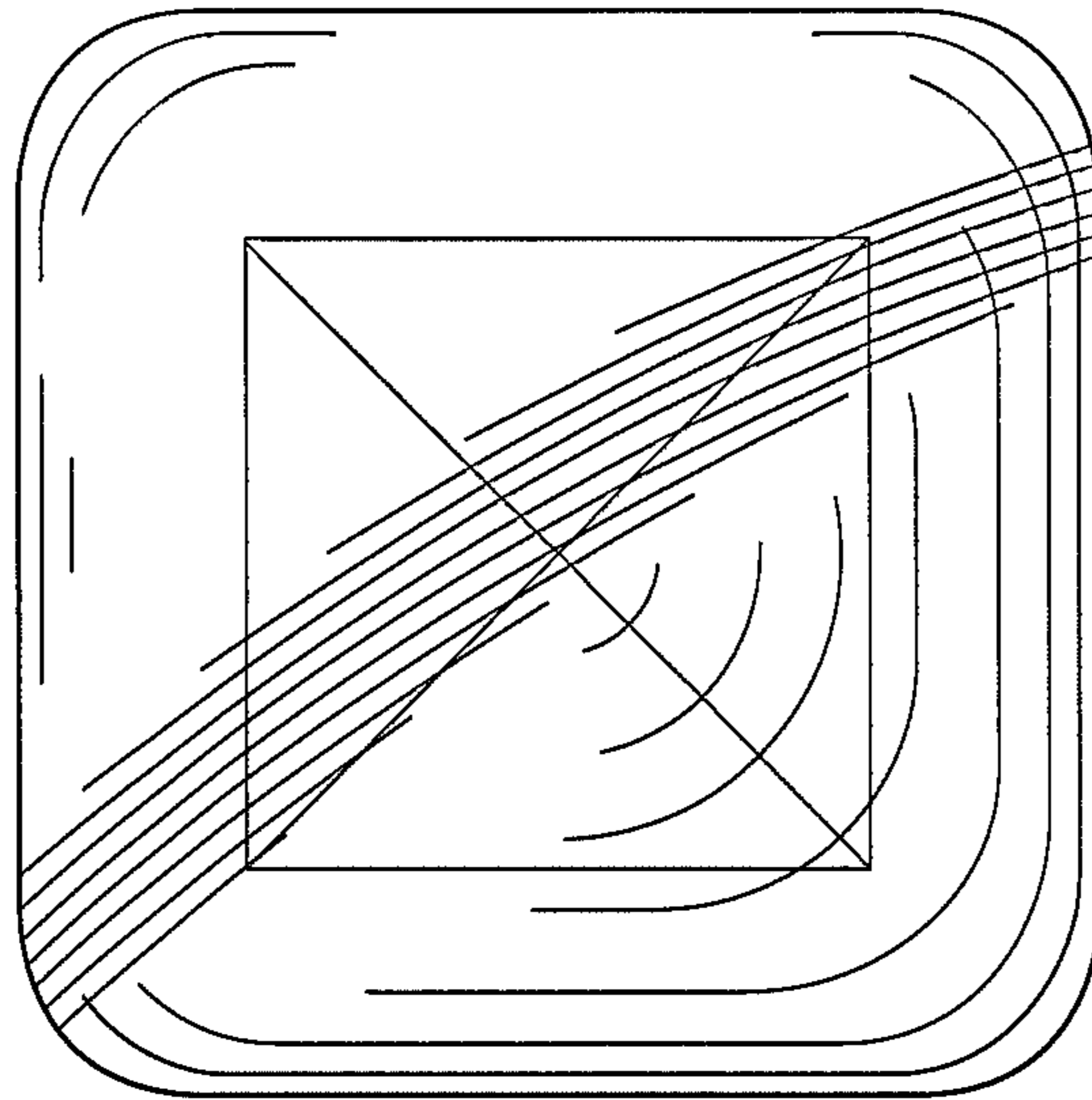


FIG. 41

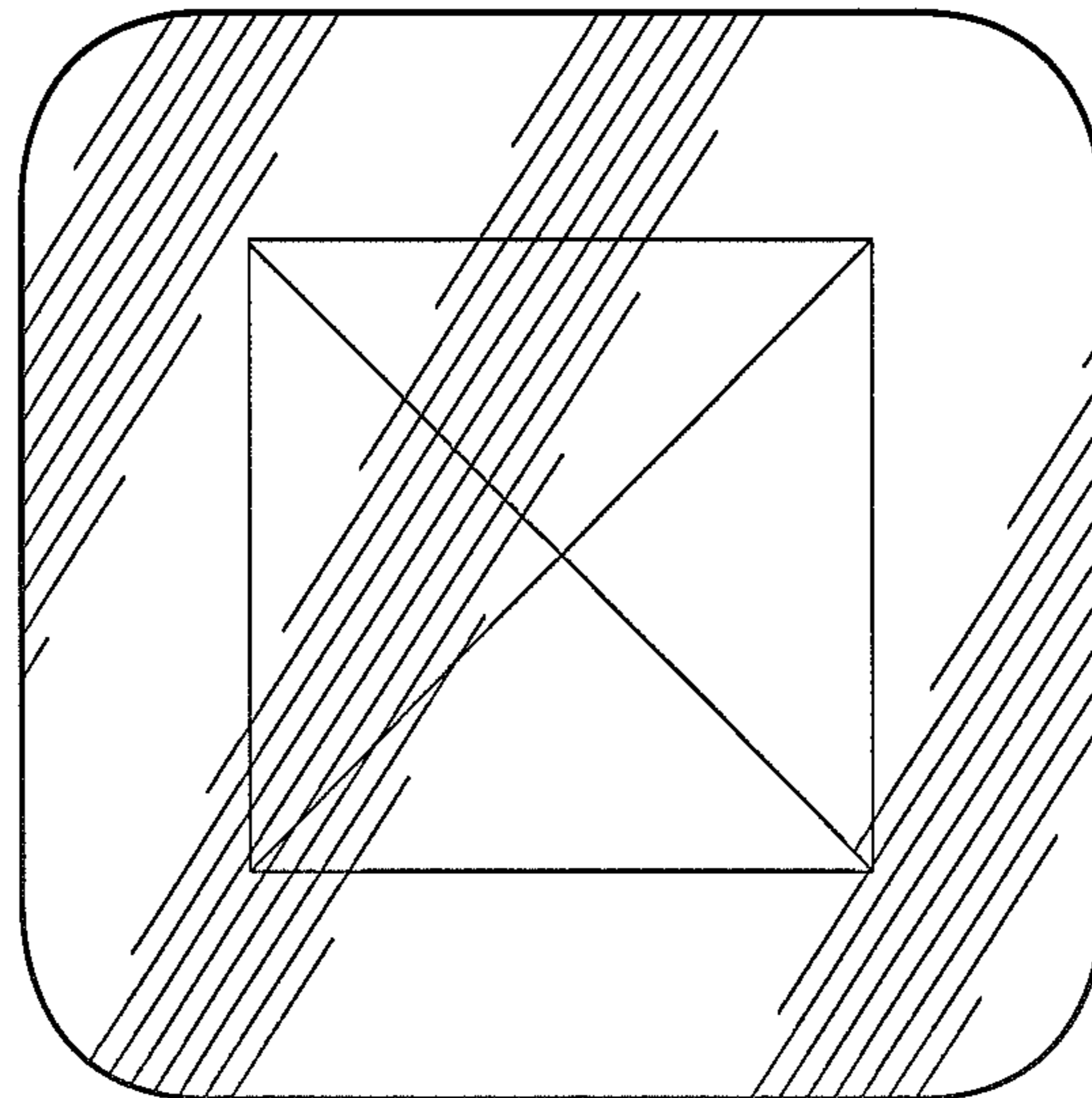


FIG. 42

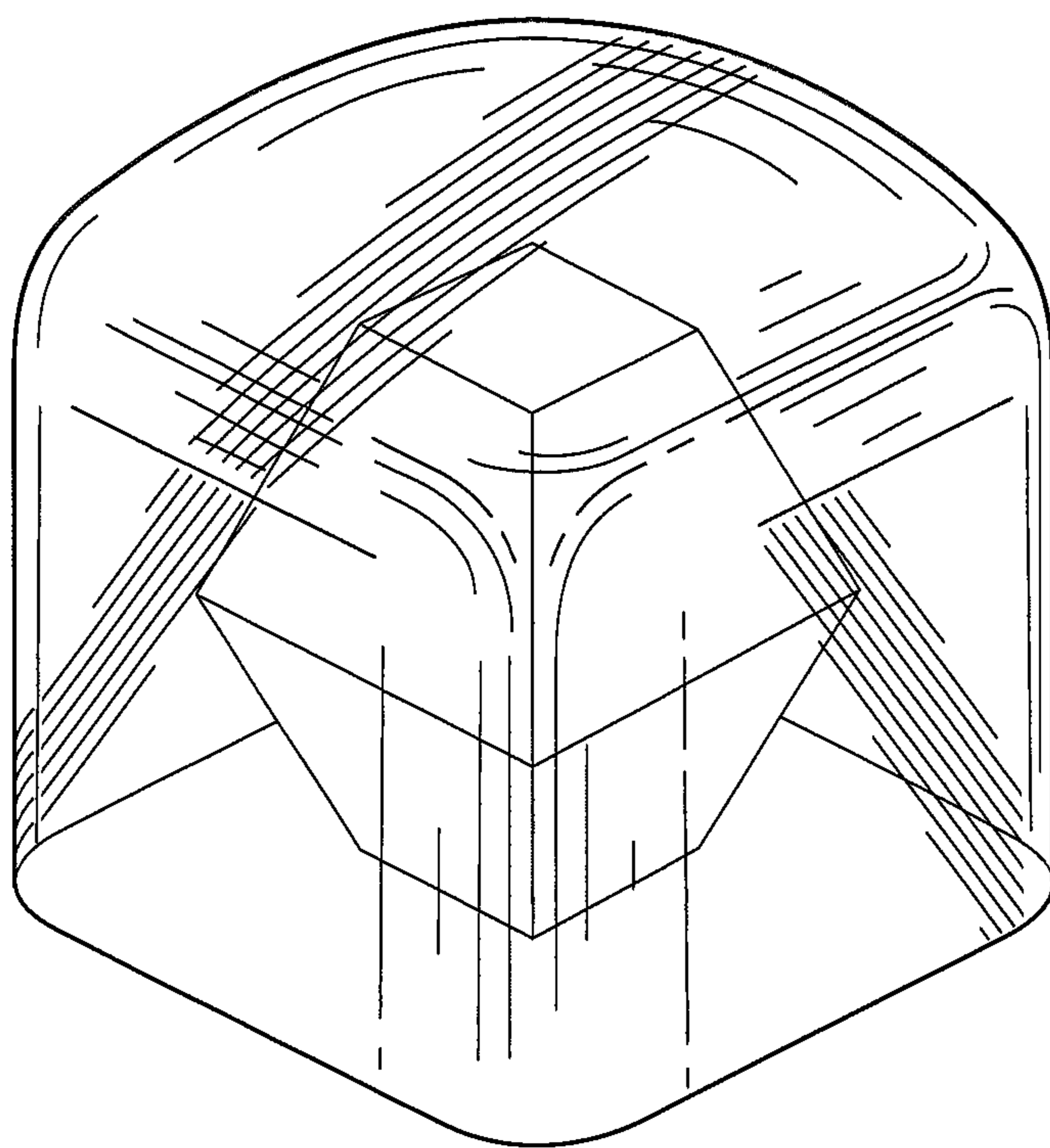


FIG. 43

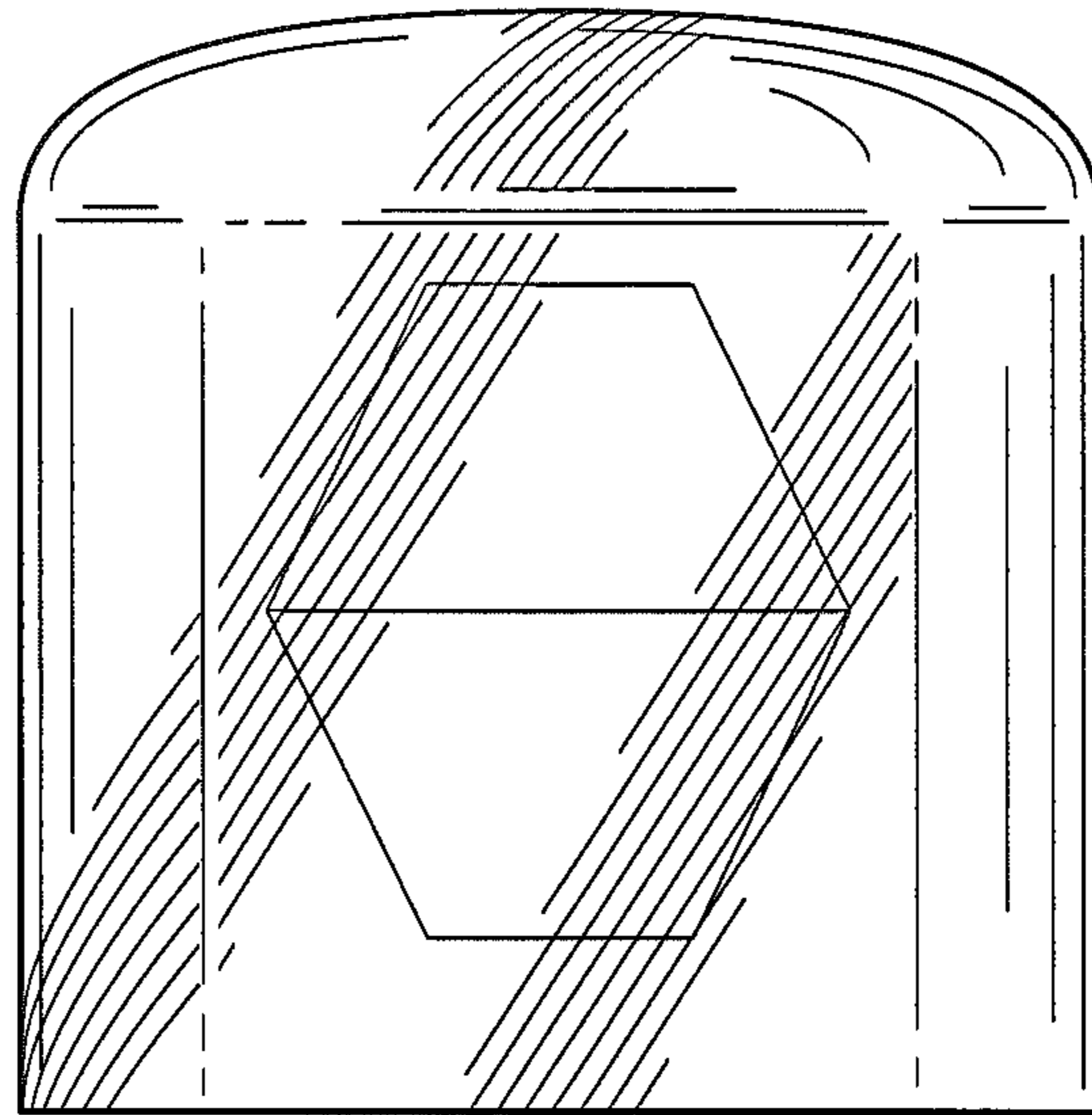


FIG. 44

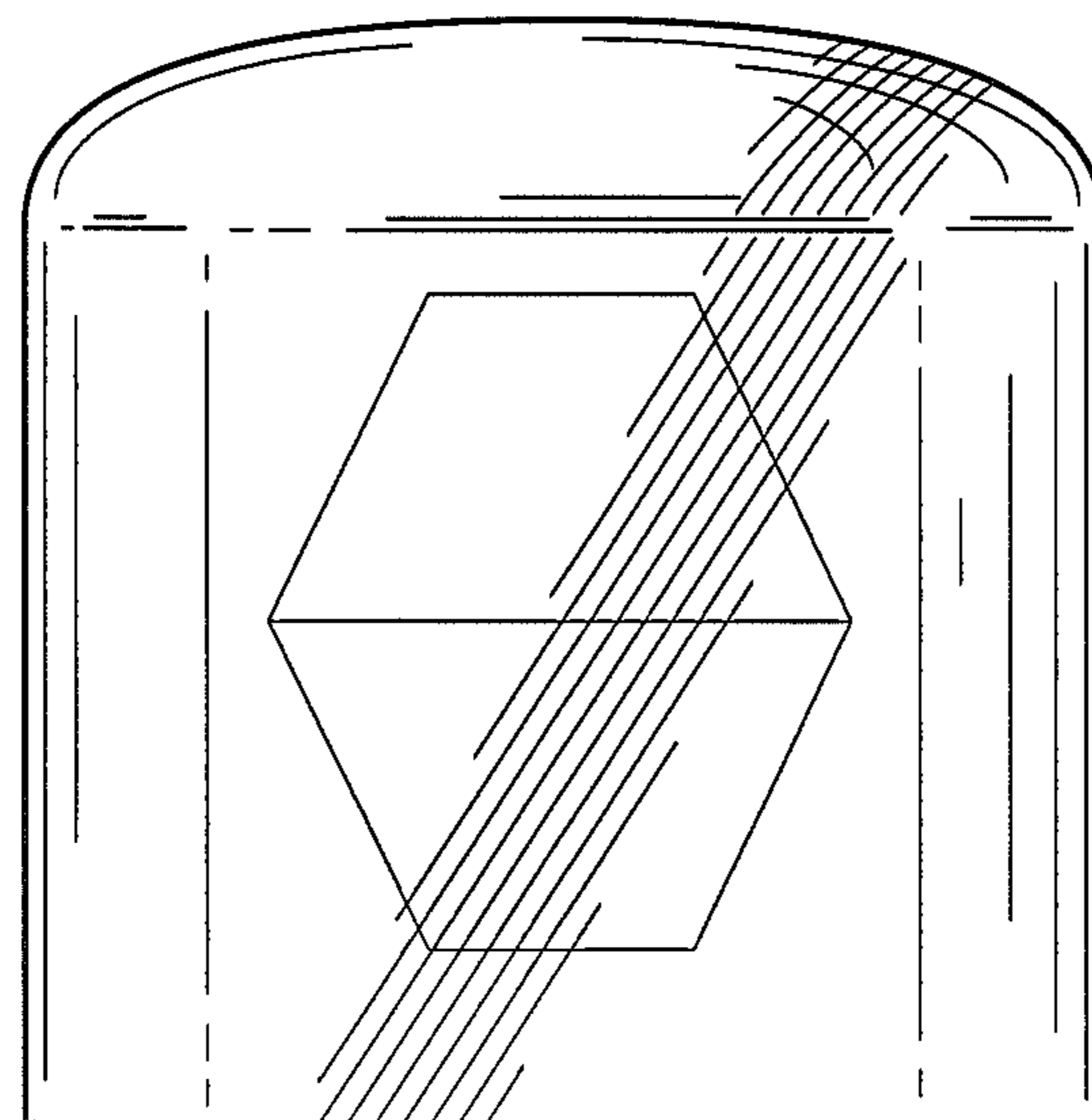


FIG. 45

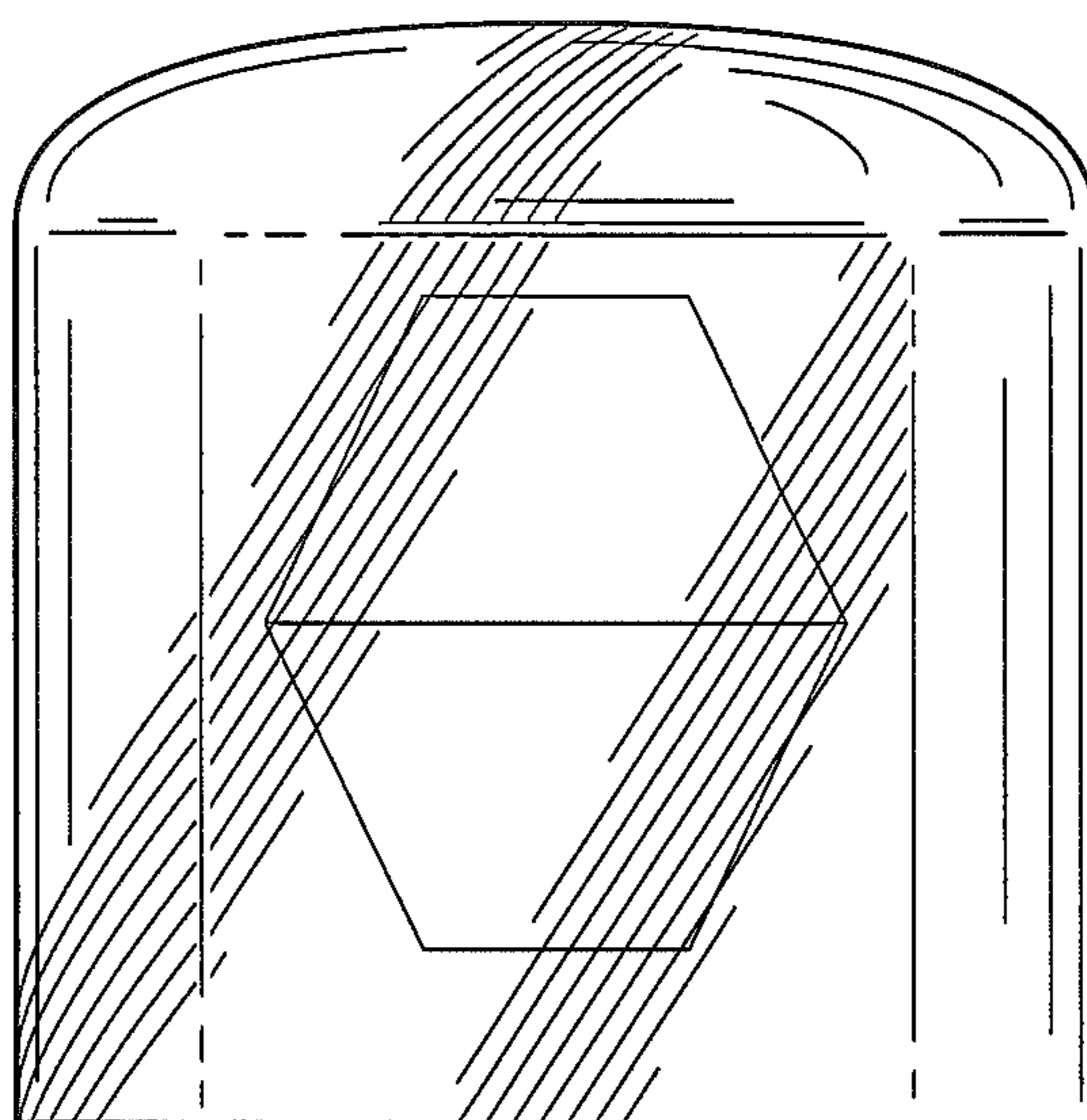


FIG. 46

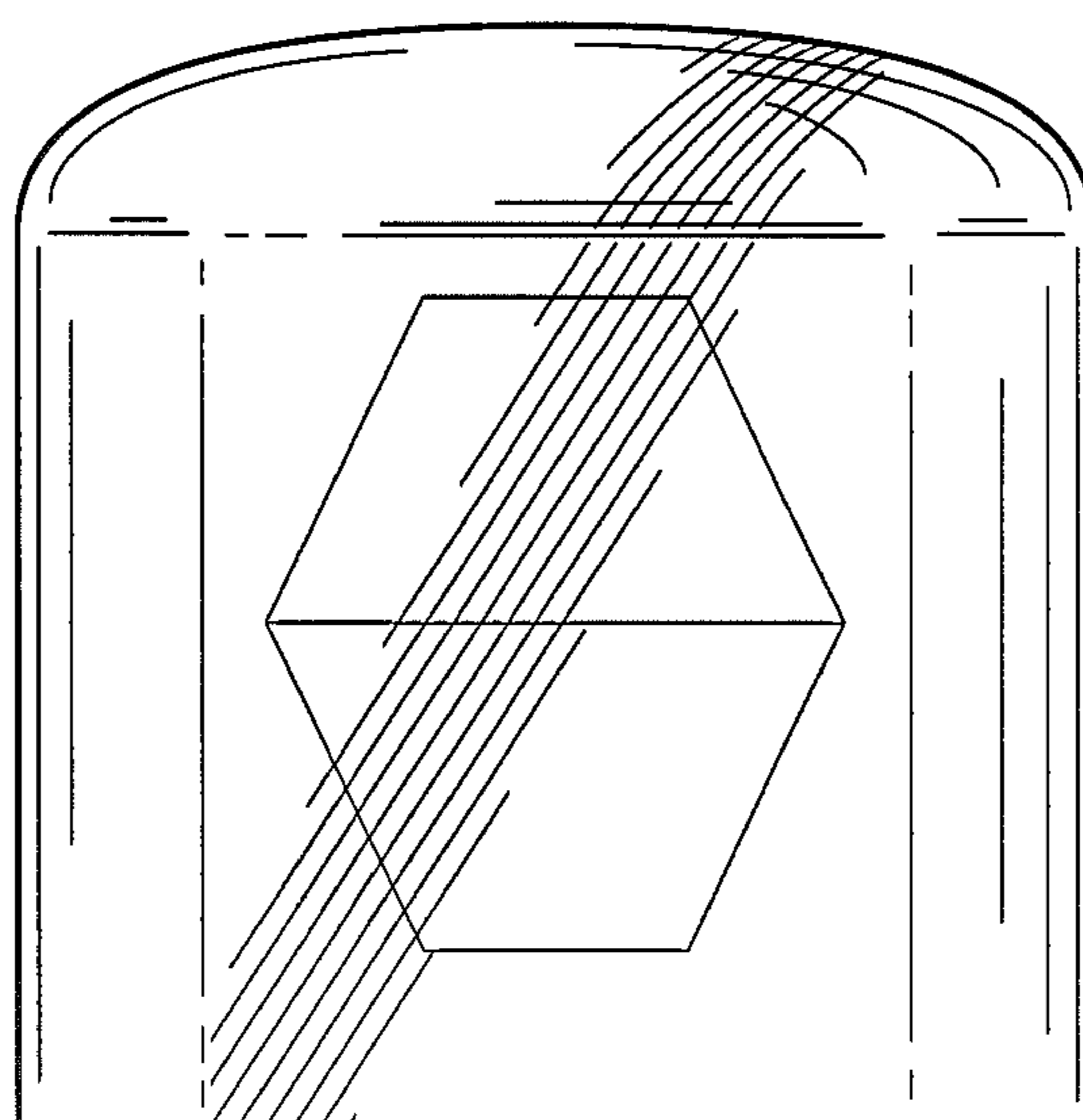


FIG. 47

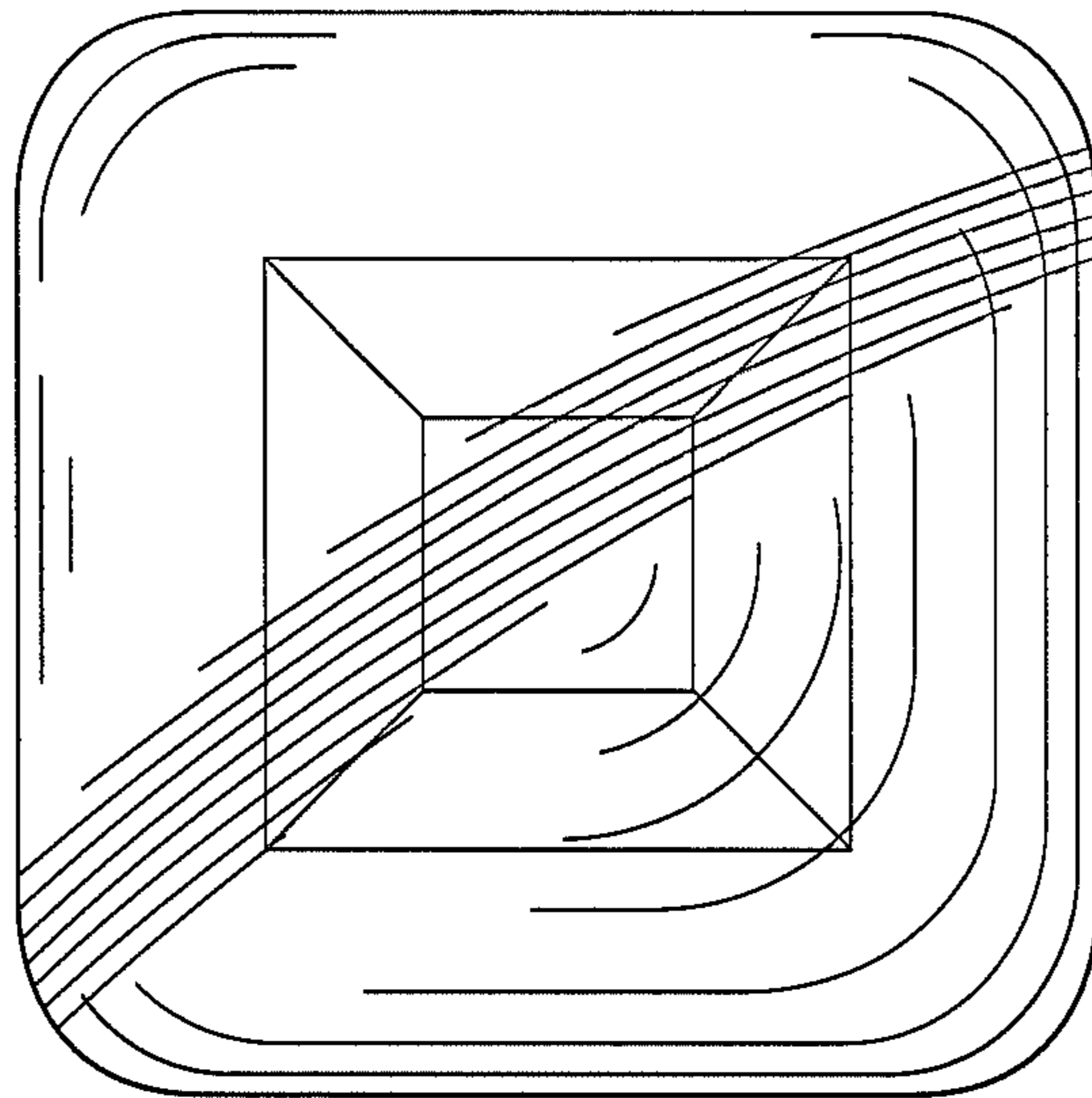


FIG. 48

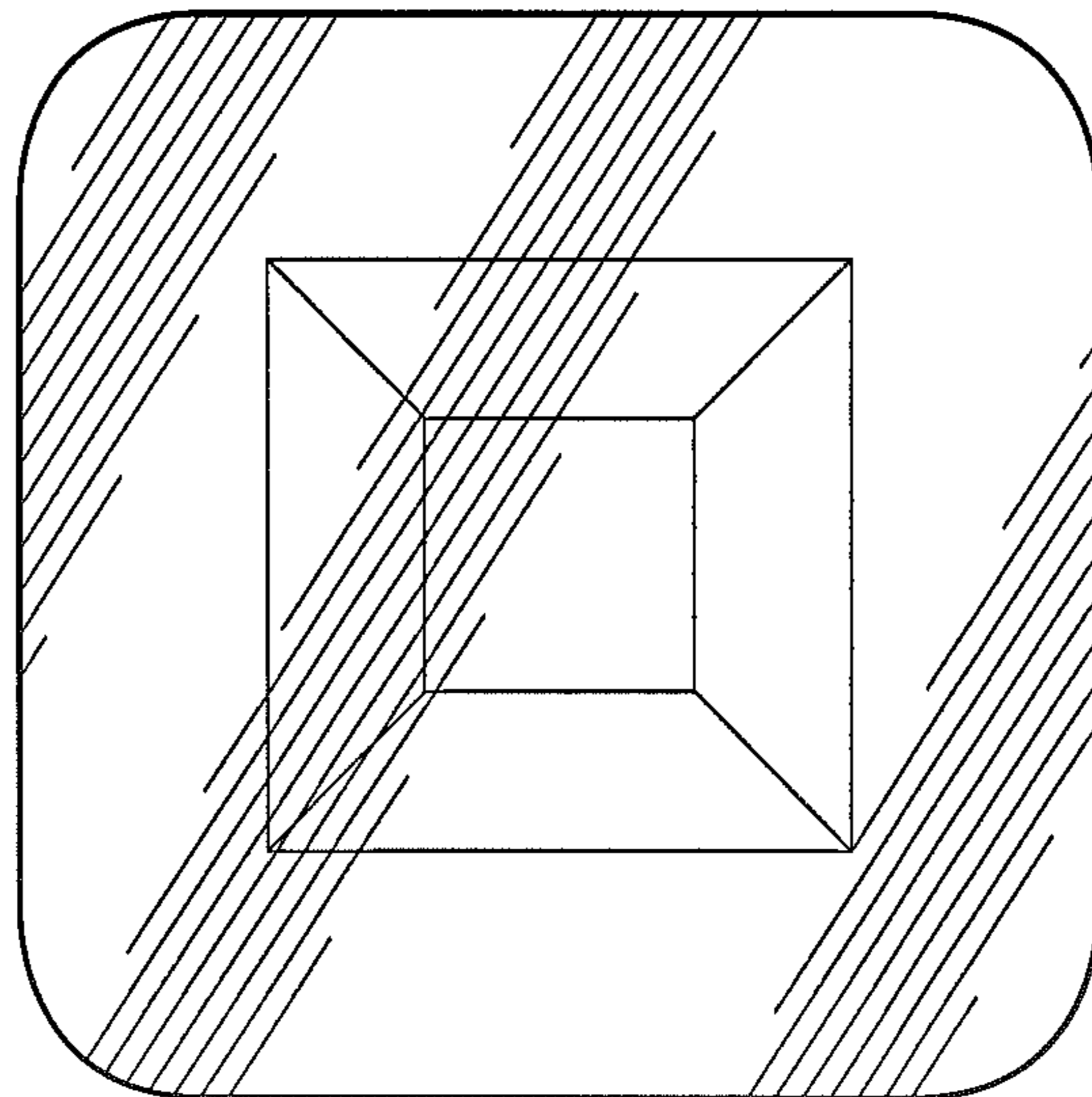


FIG. 49

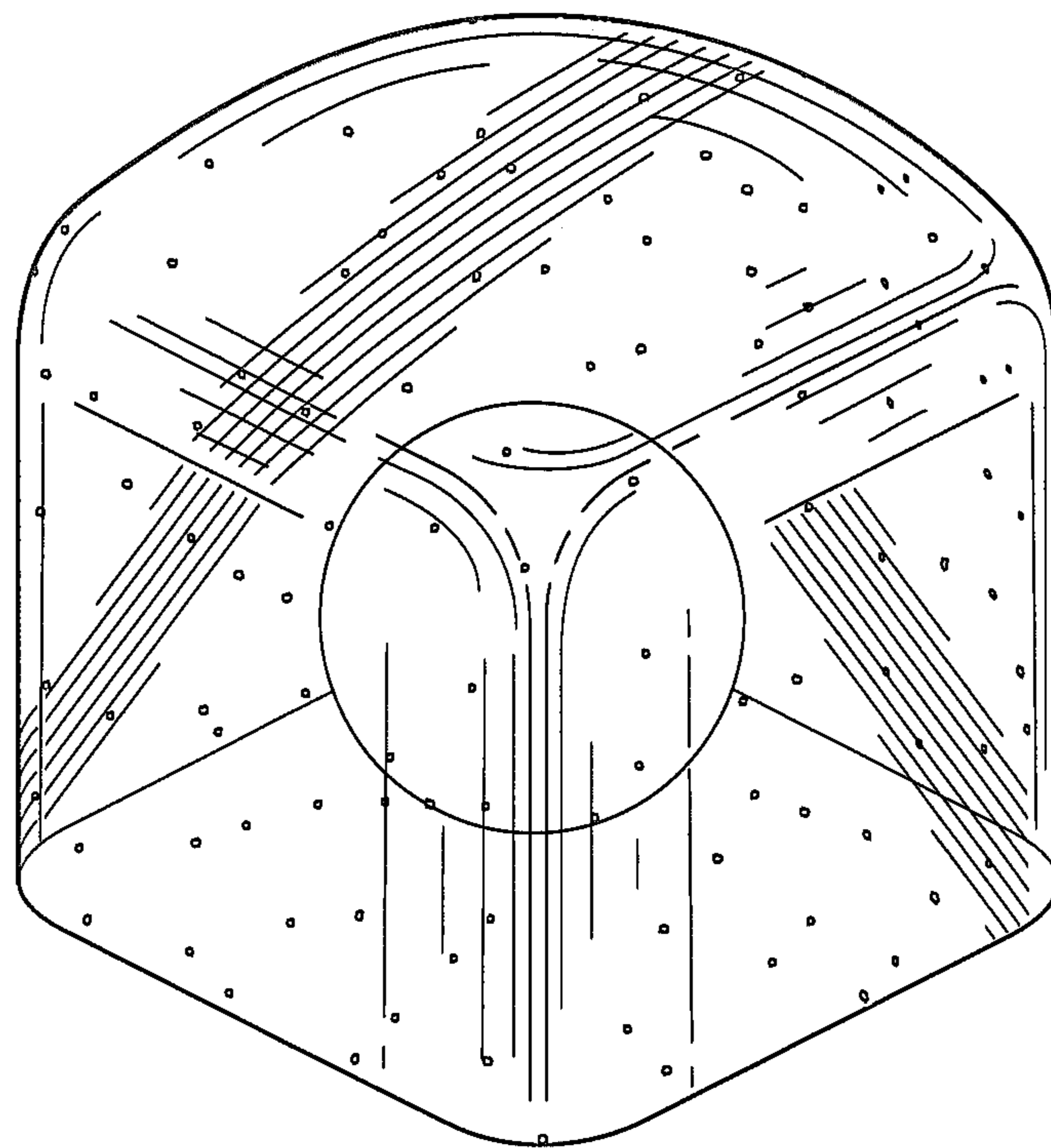


FIG. 50

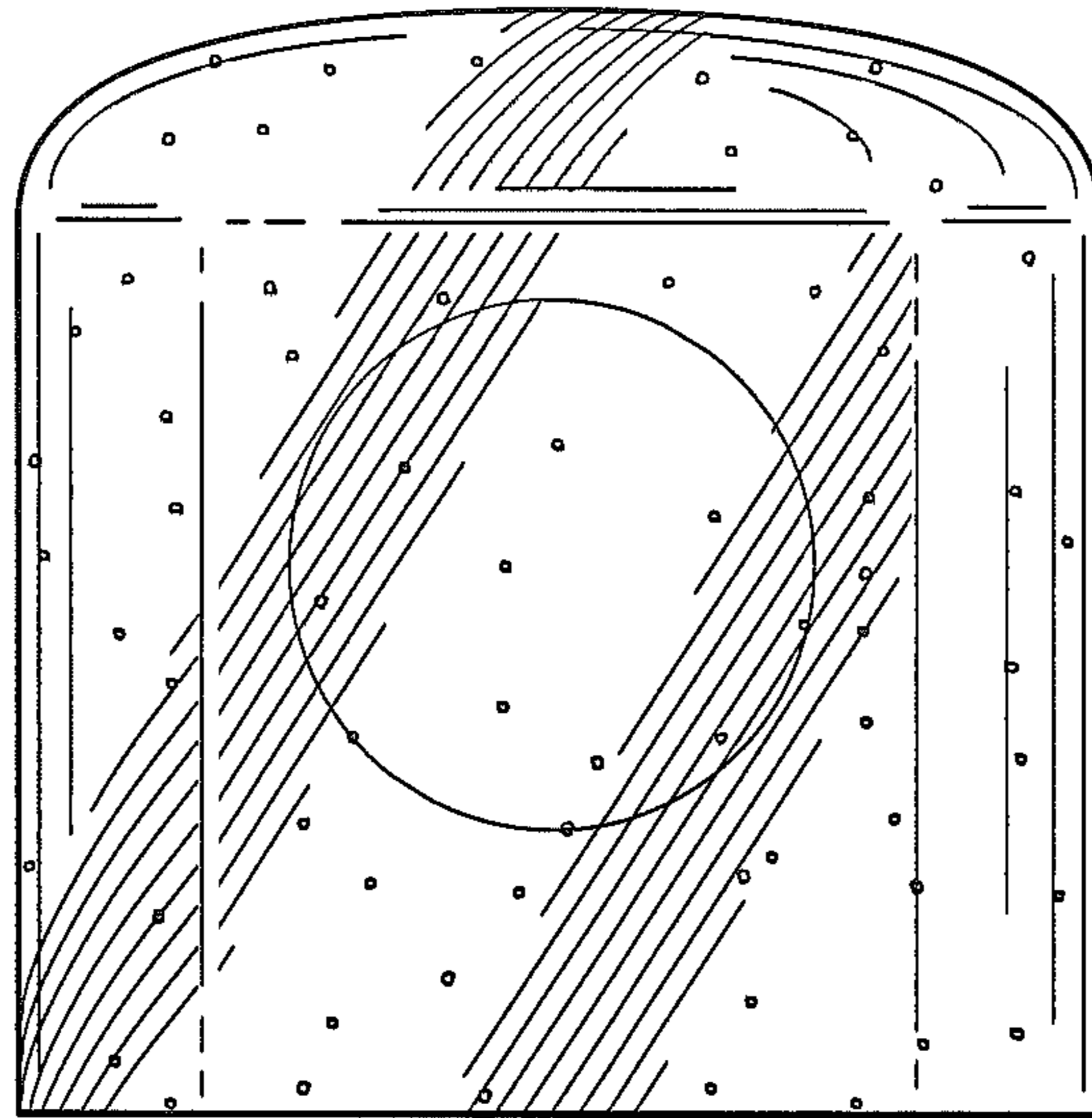


FIG. 51

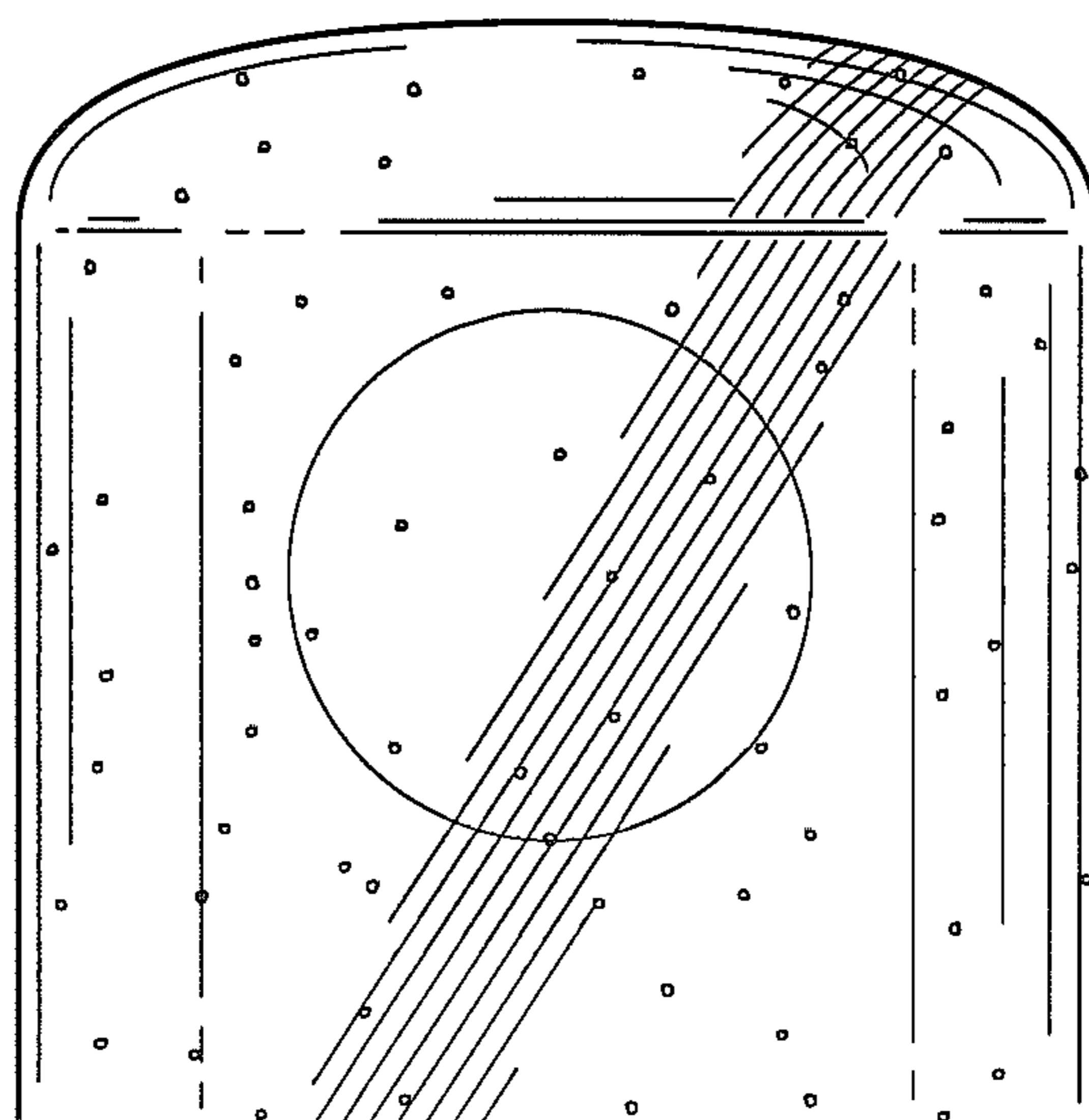


FIG. 52

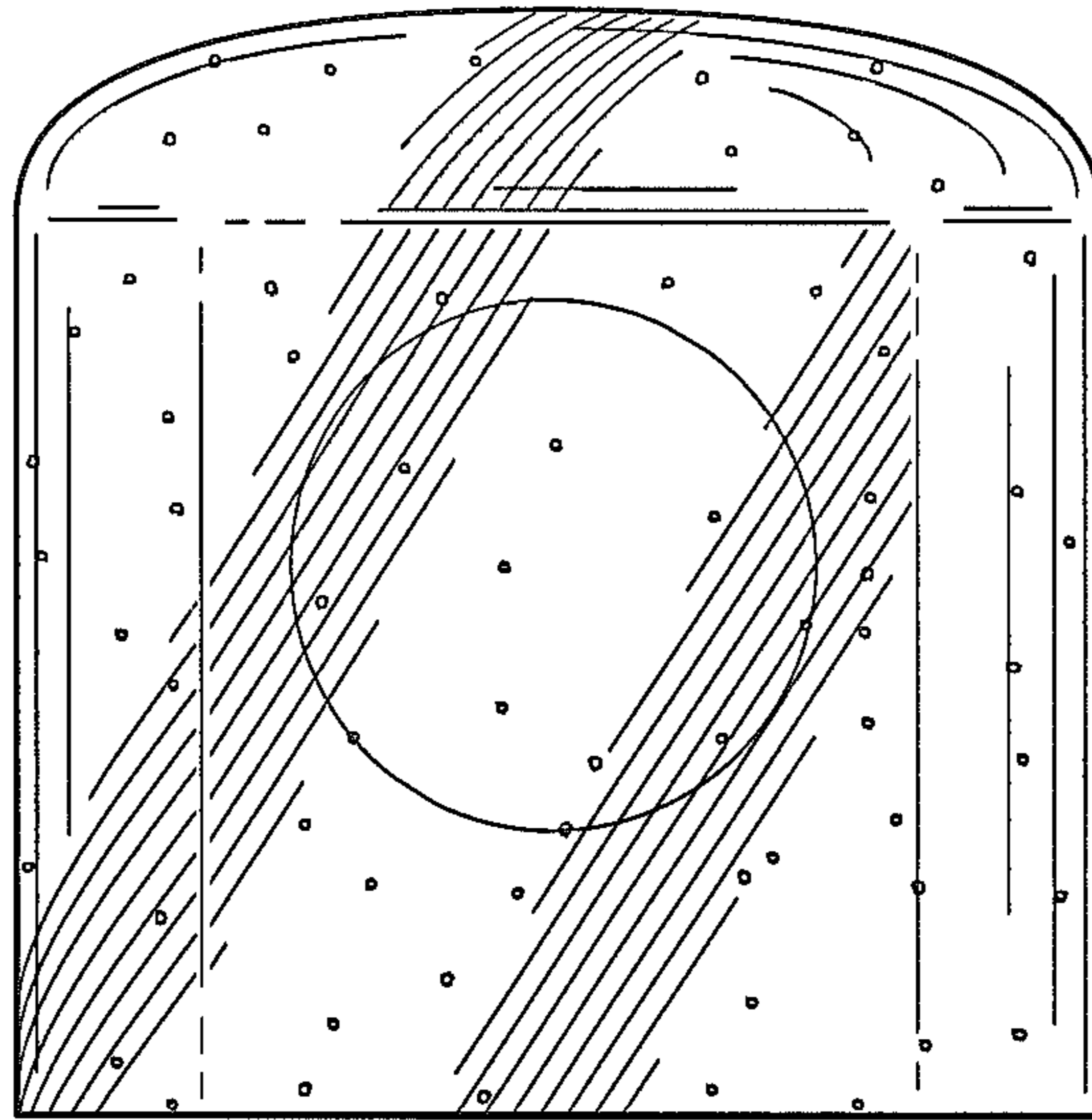


FIG. 53

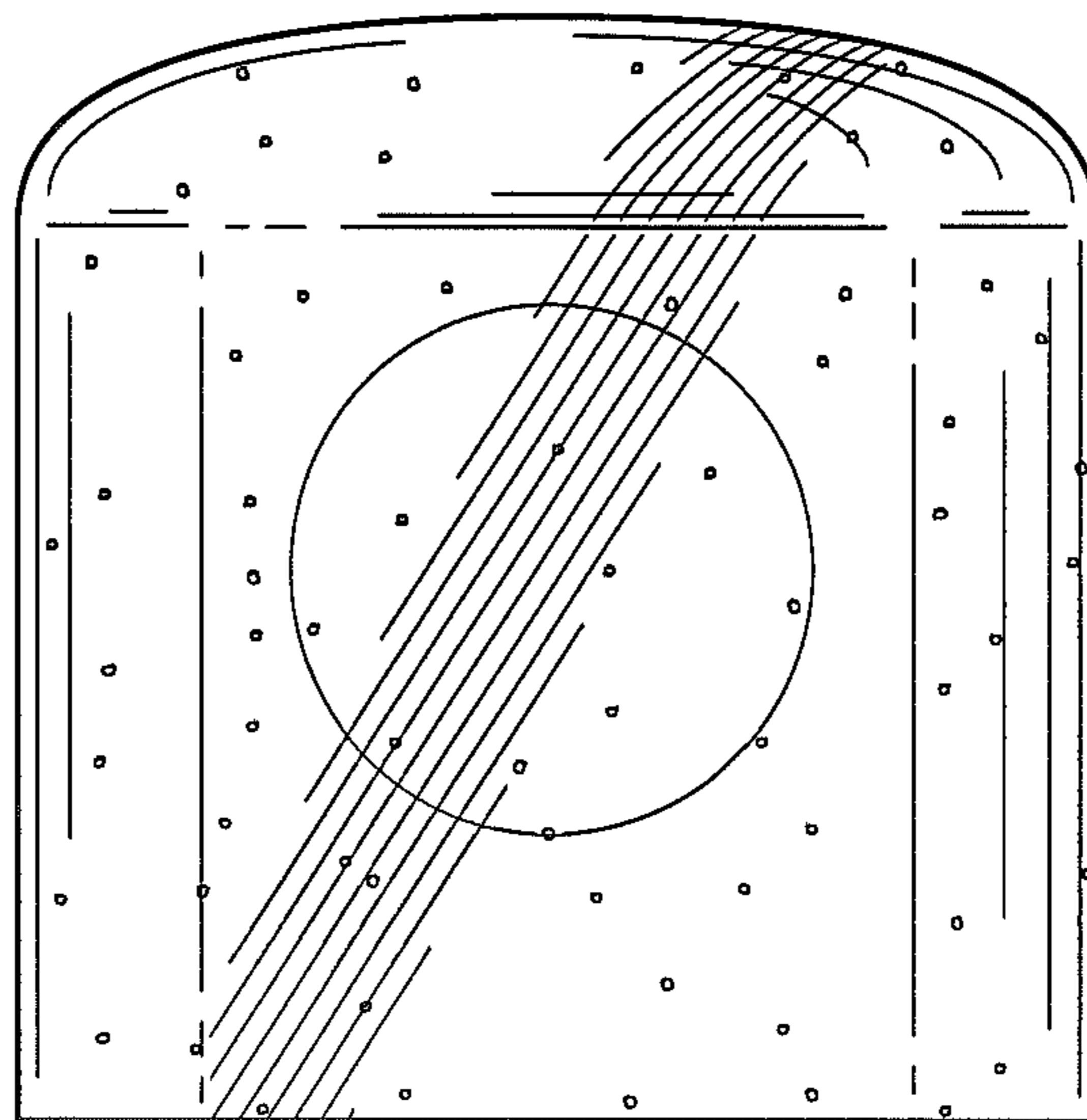


FIG. 54

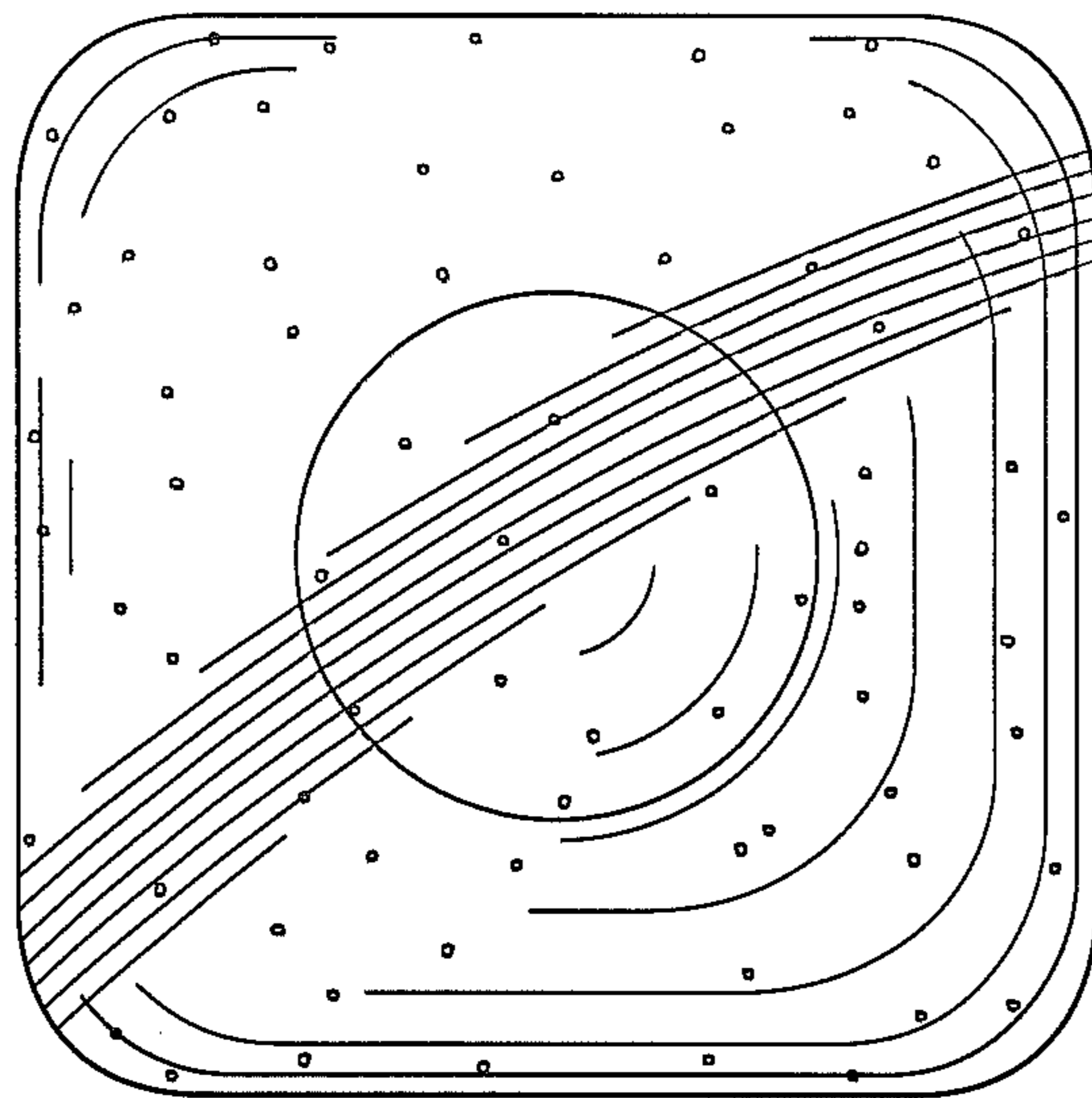


FIG. 55

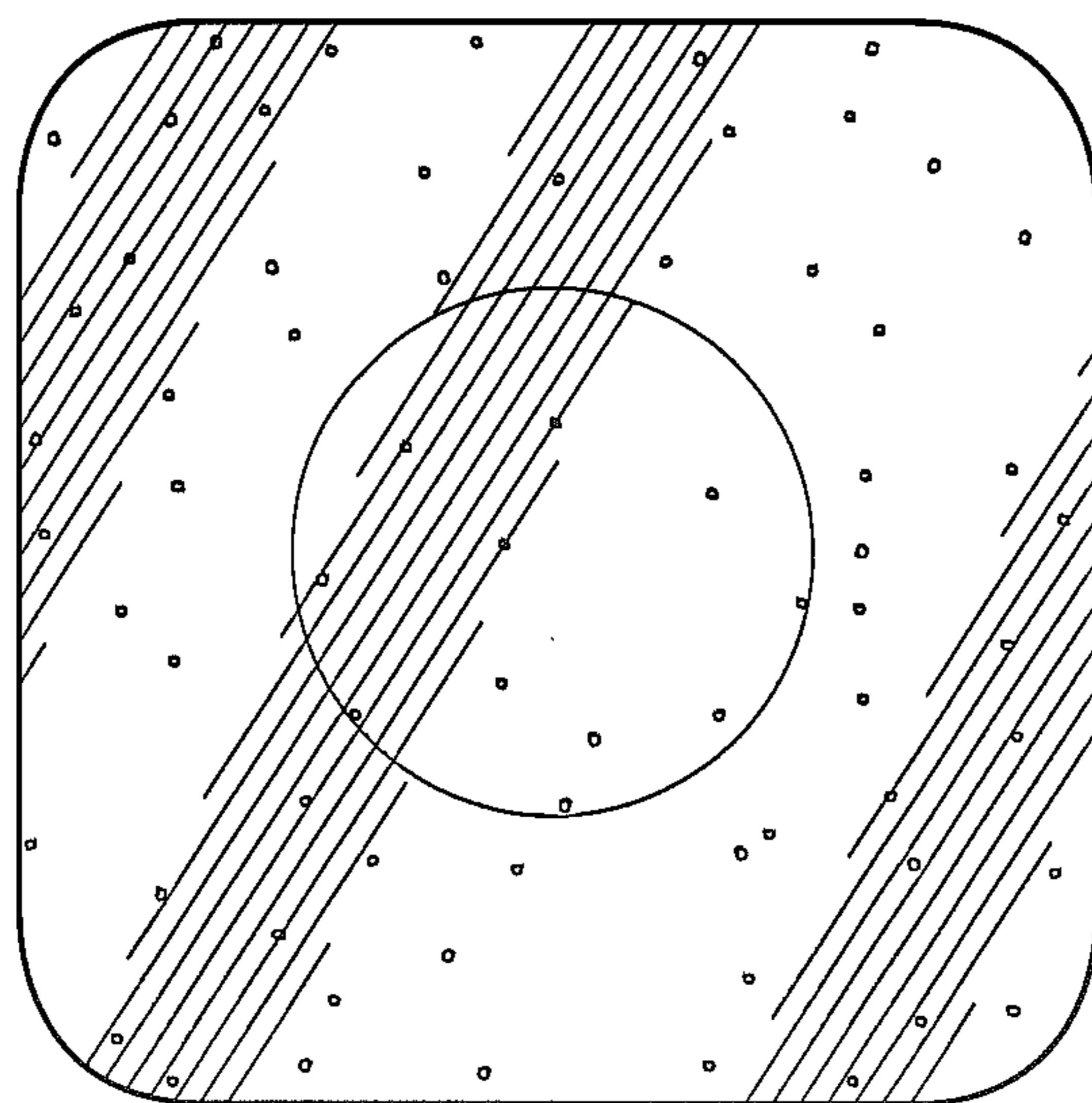


FIG. 56

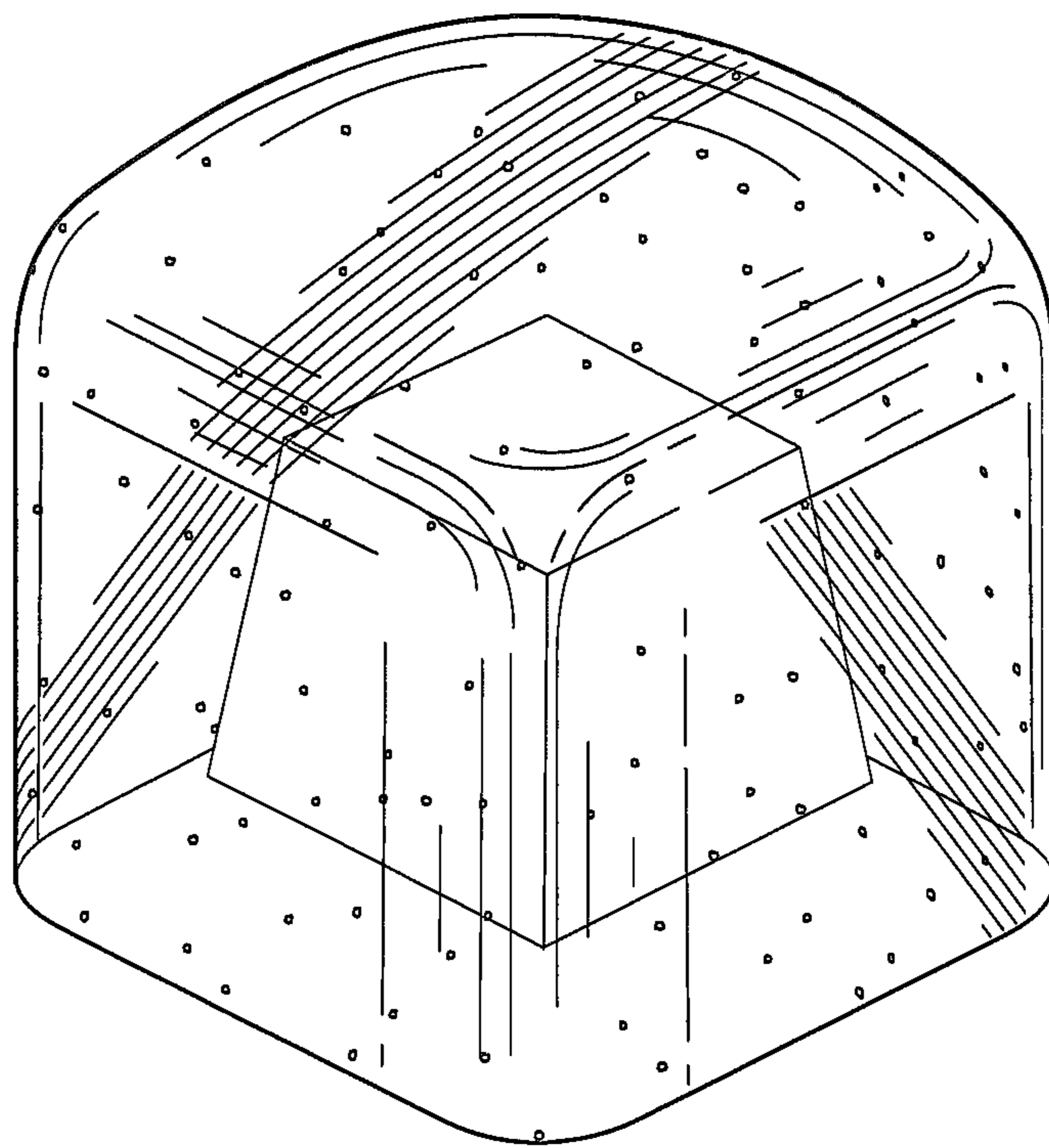


FIG. 57

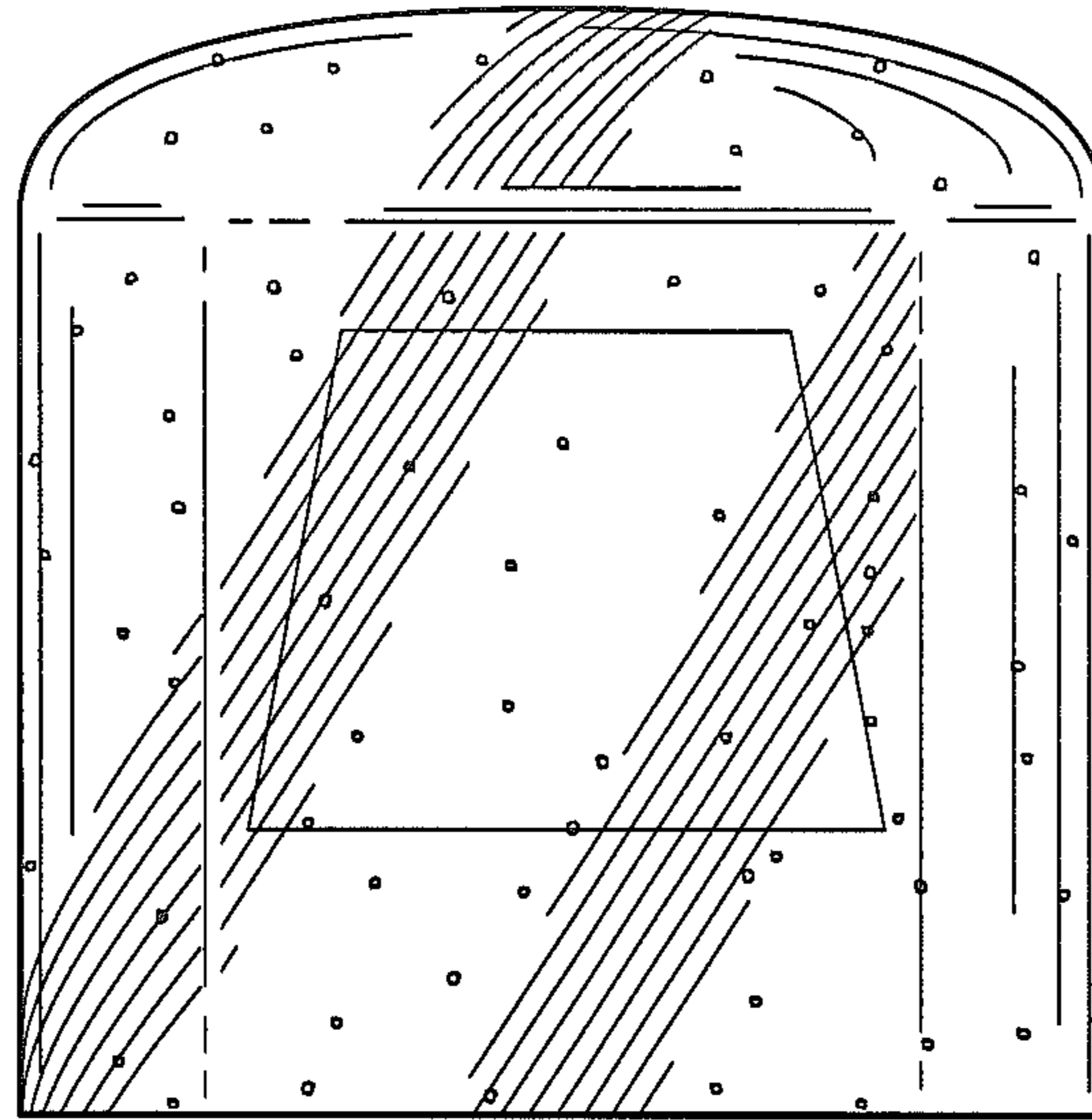


FIG. 58

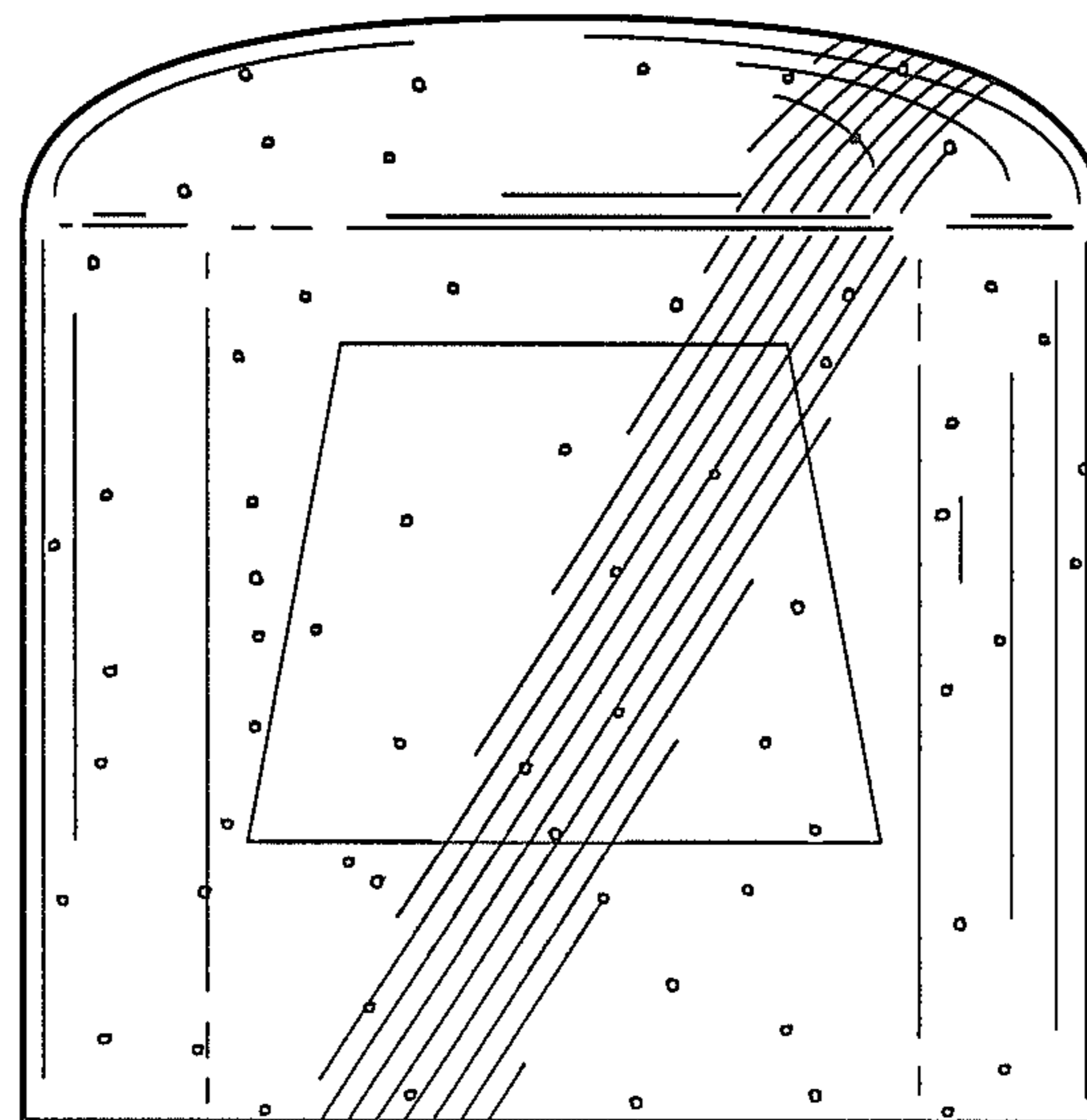


FIG. 59

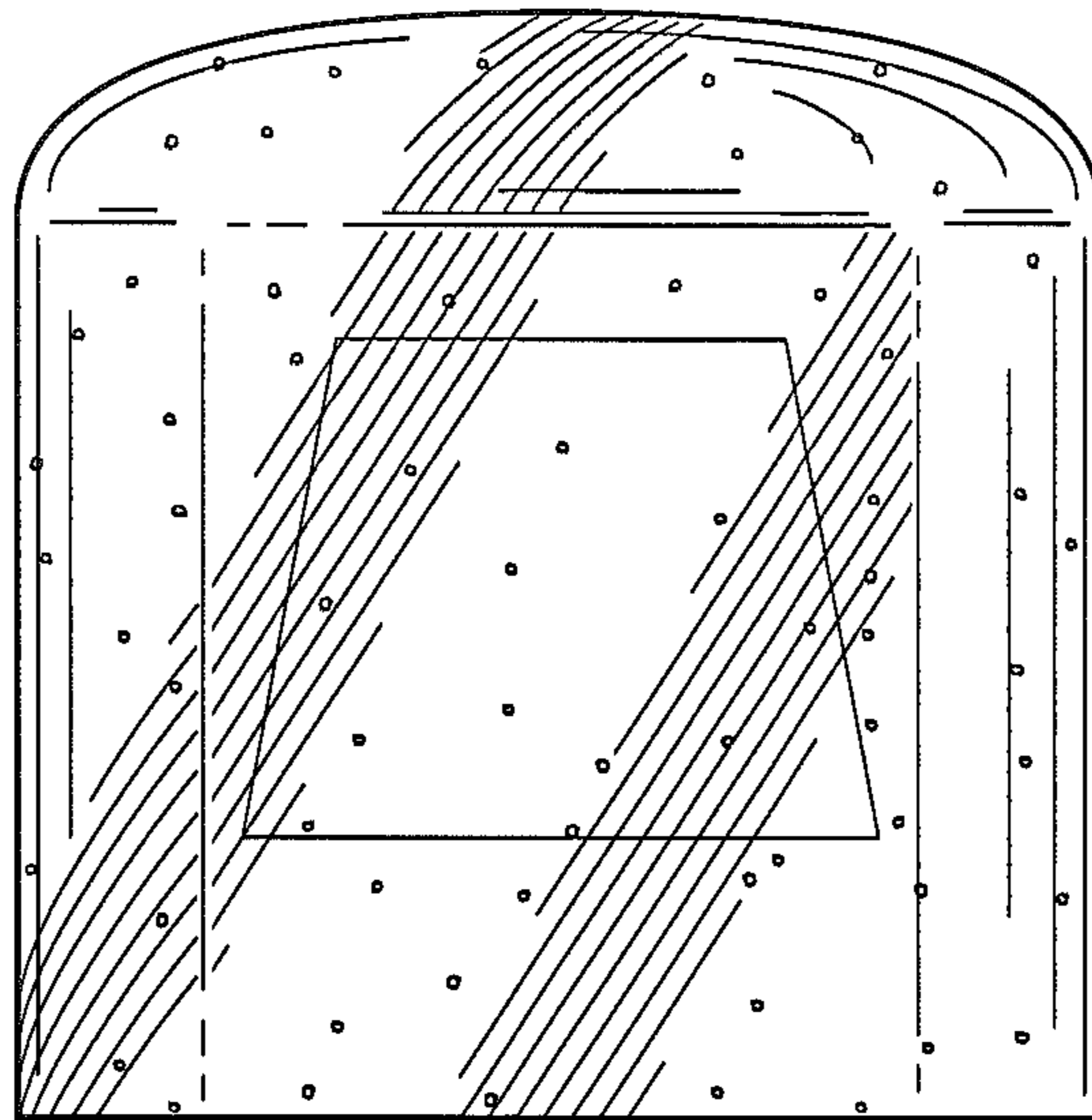


FIG. 60

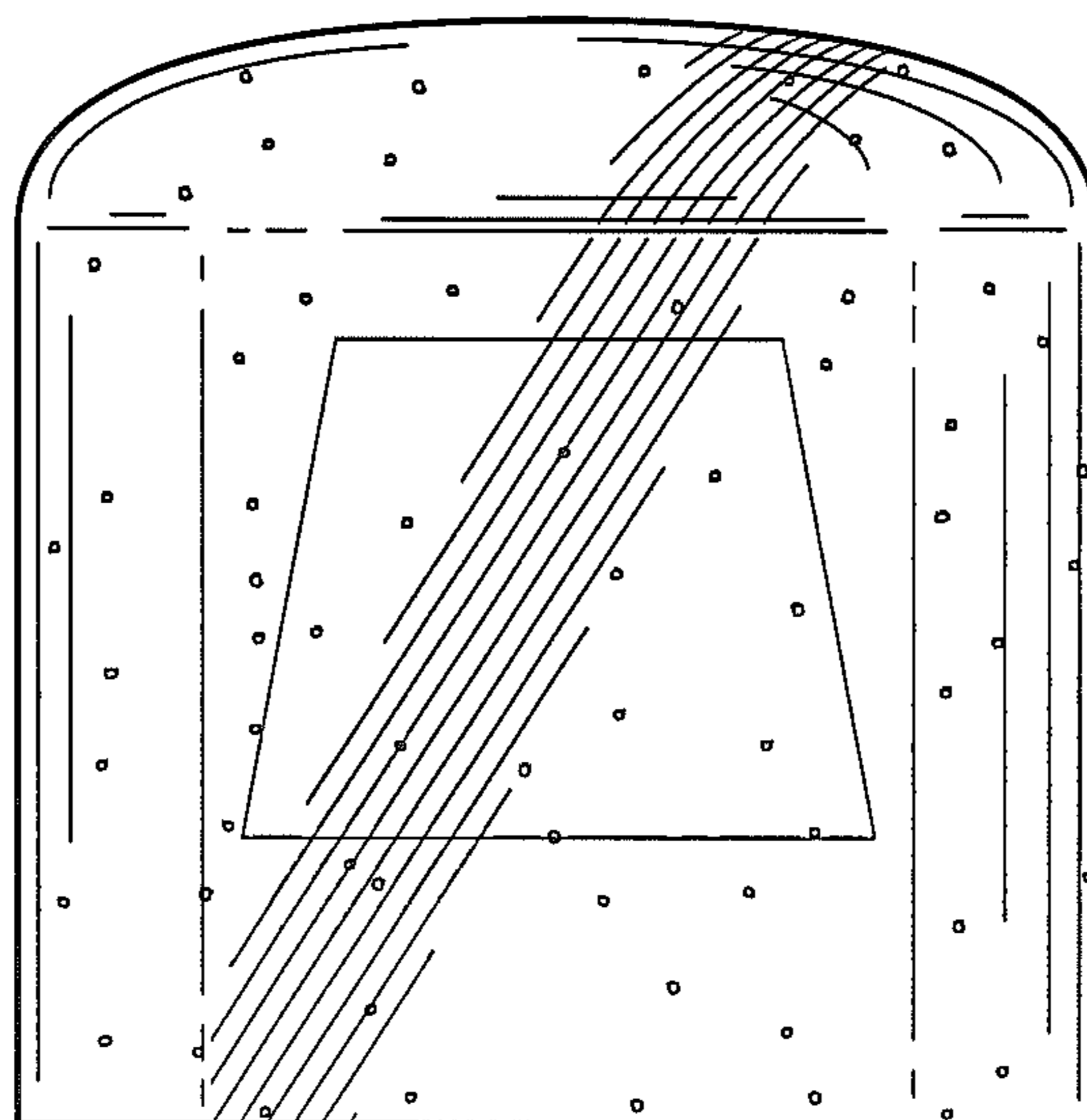


FIG. 61

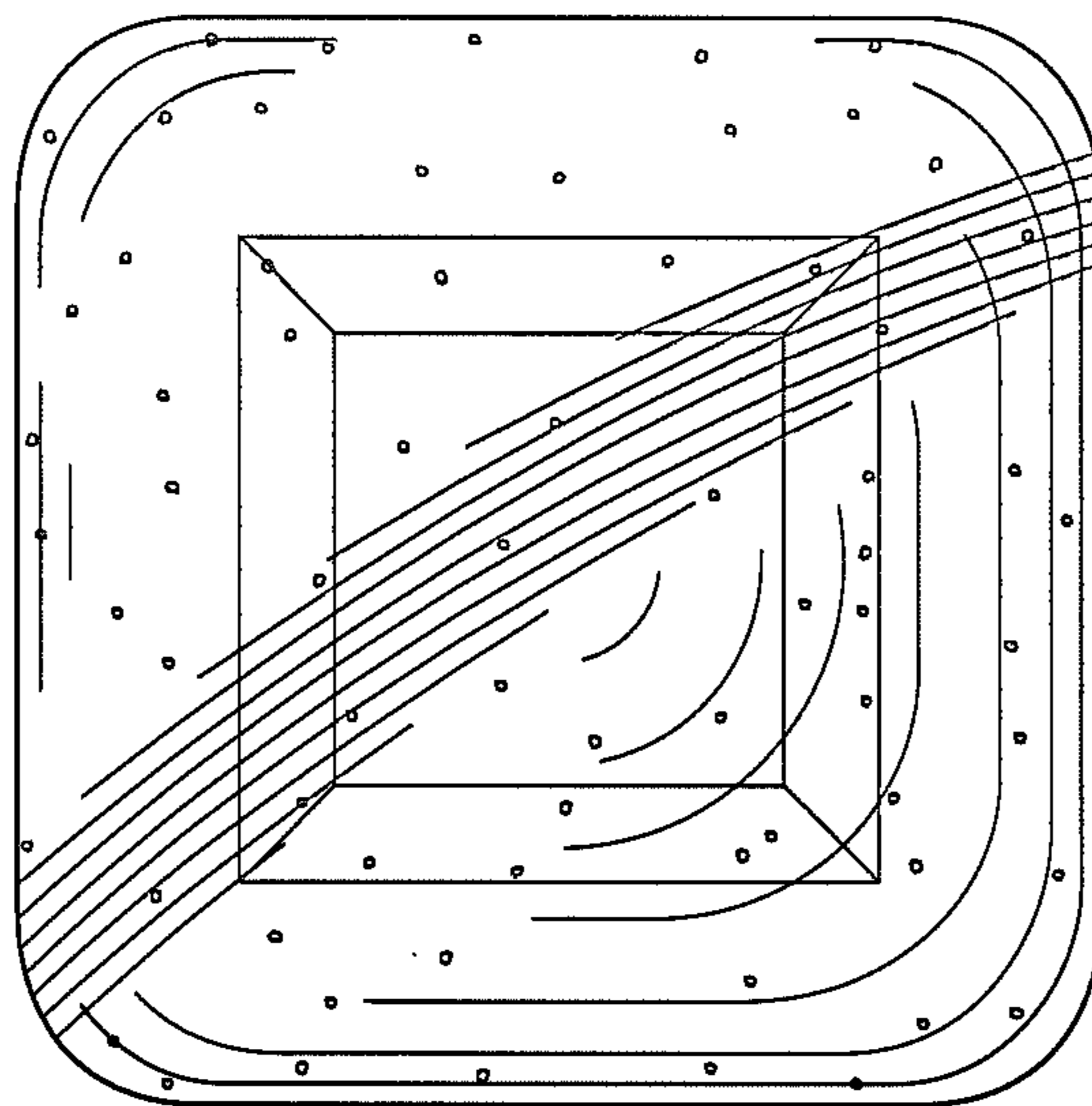


FIG. 62

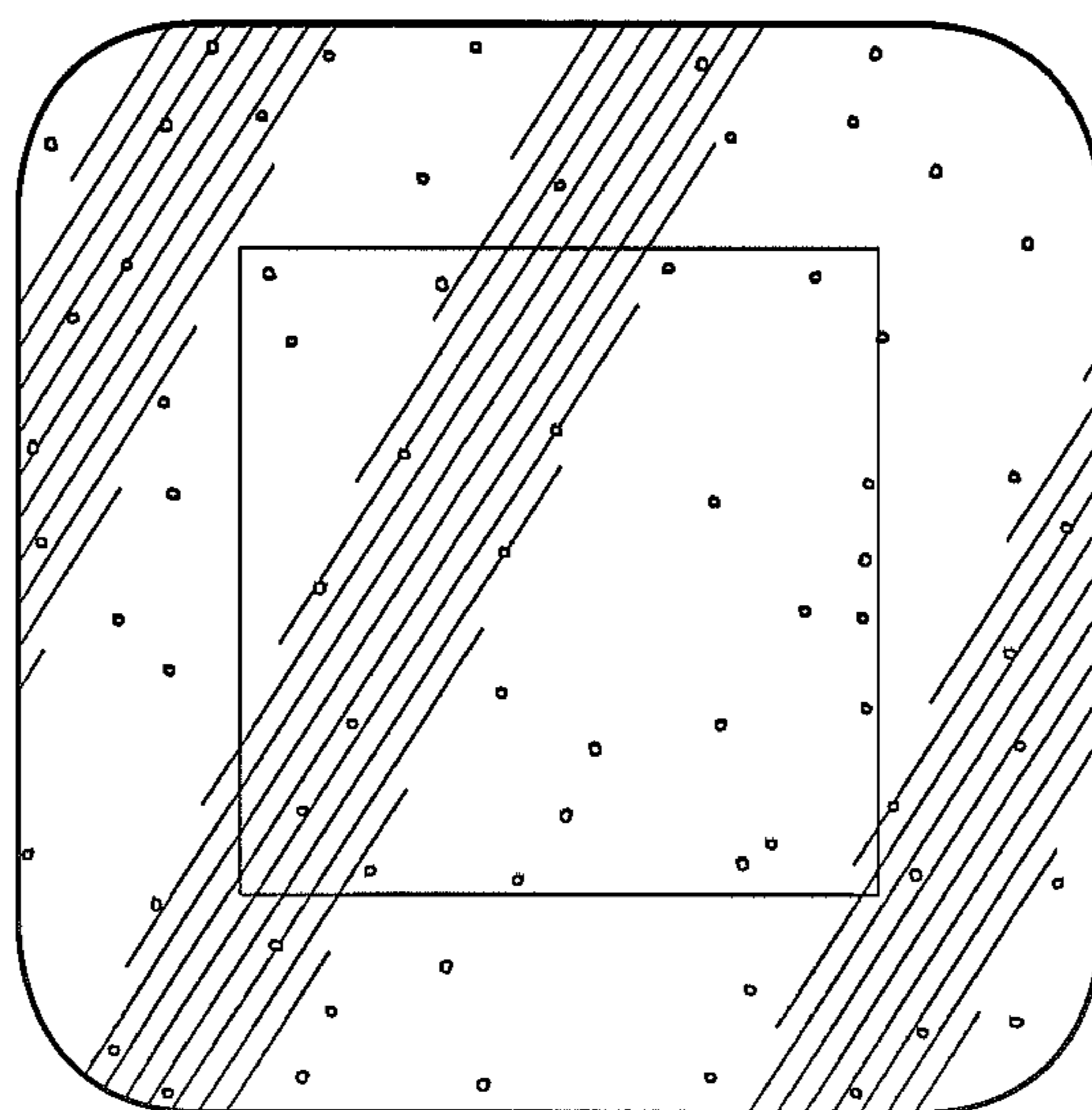


FIG. 63

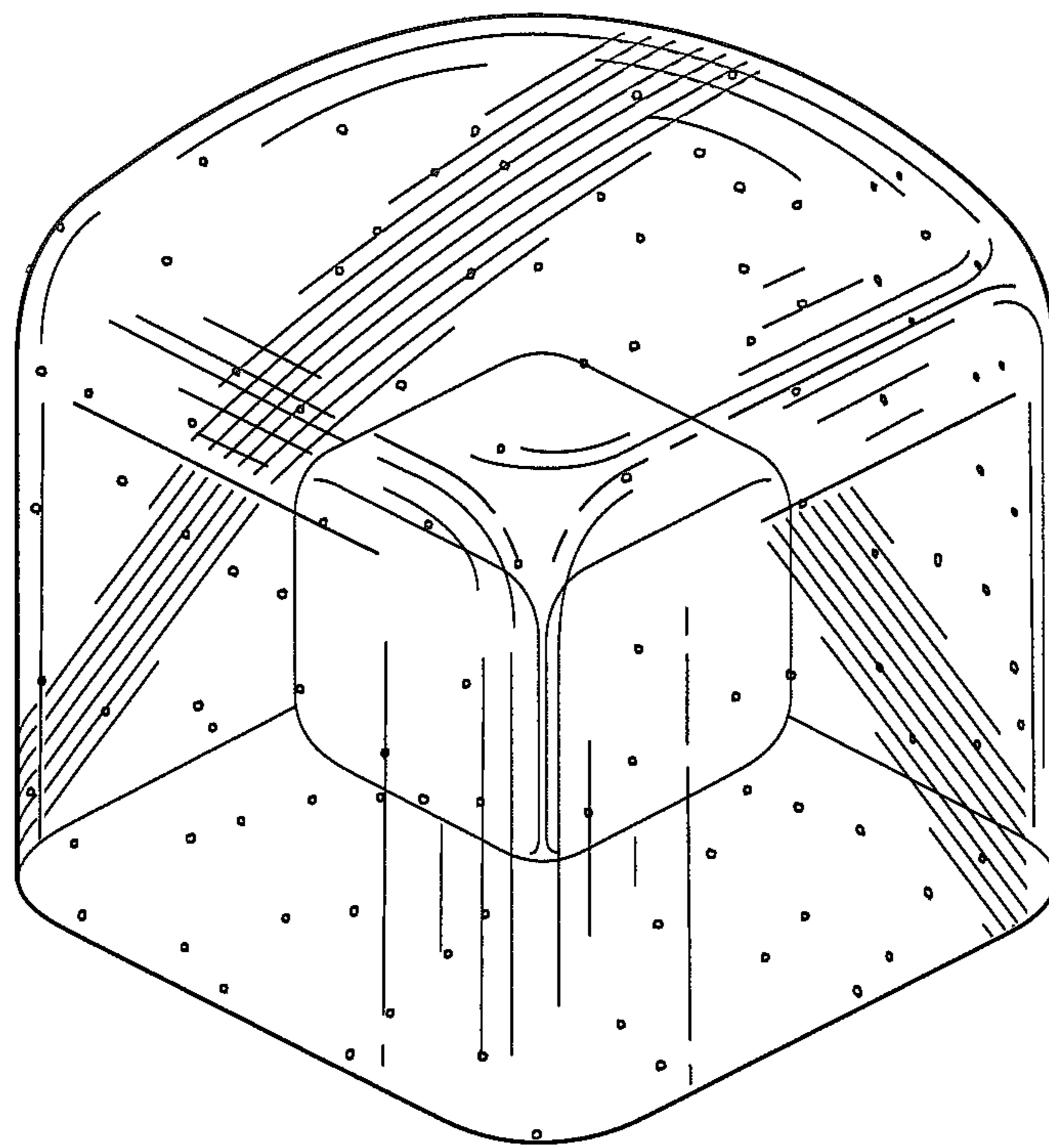


FIG. 64

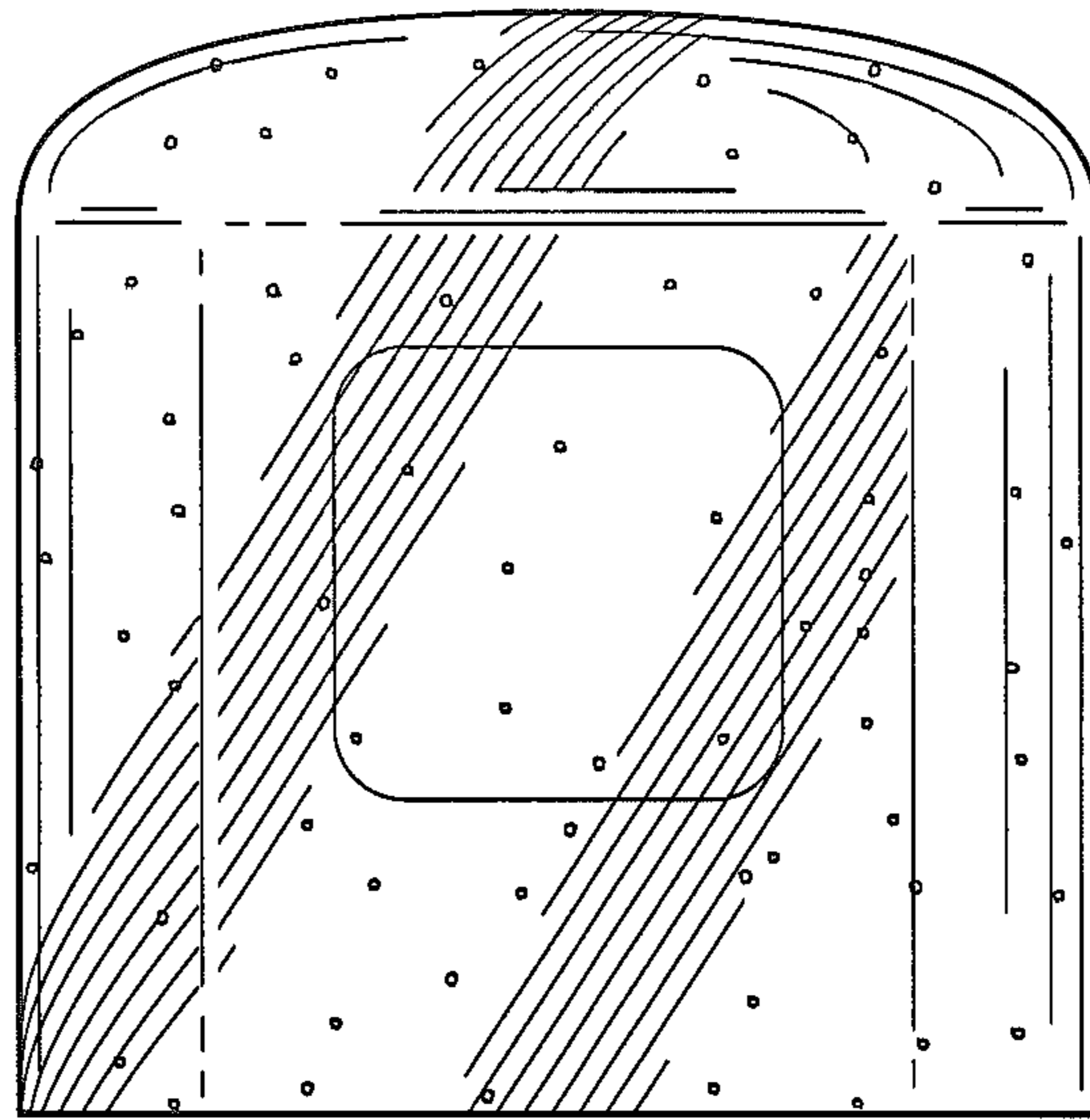


FIG. 65

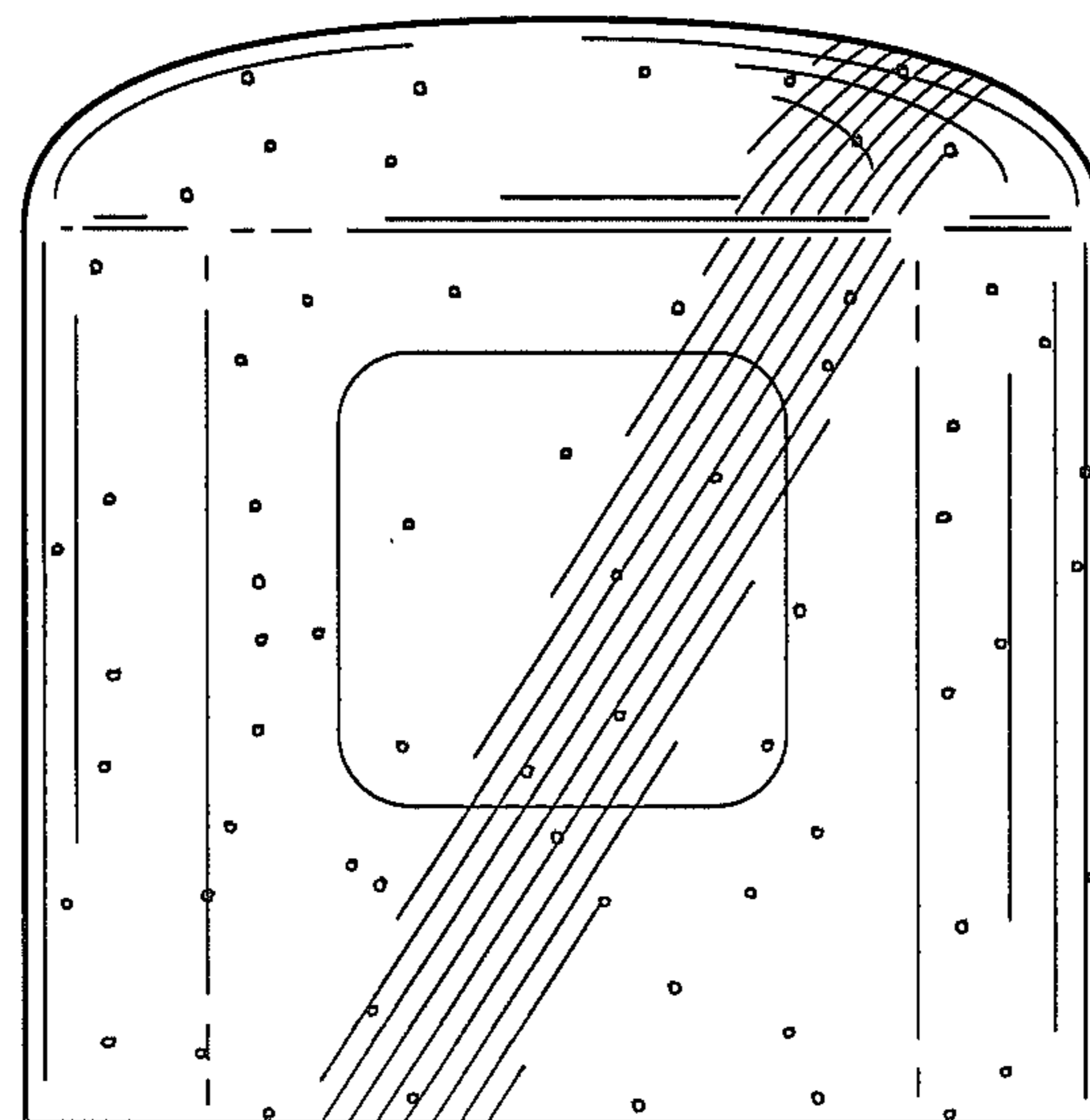


FIG. 66

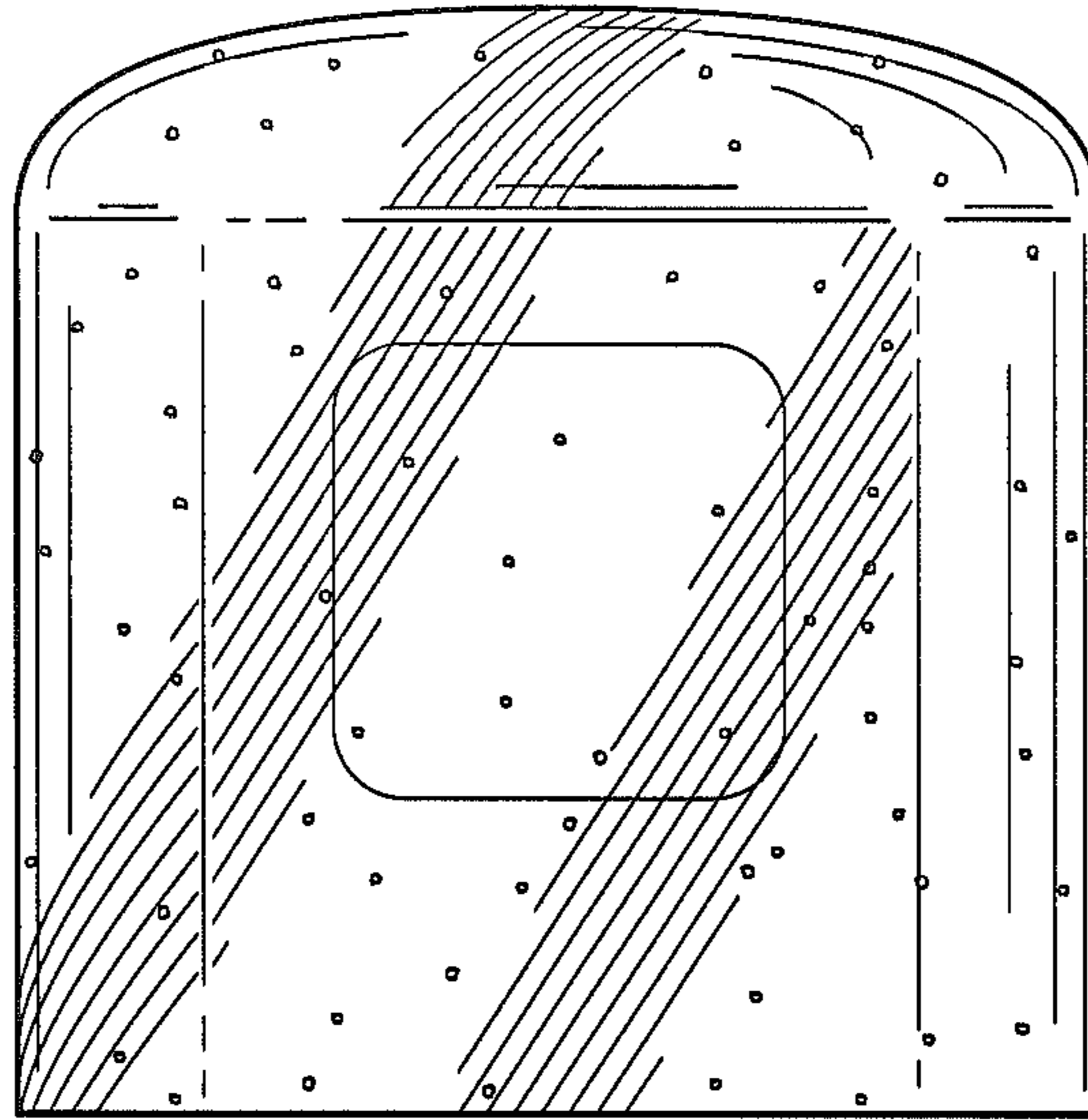


FIG. 67

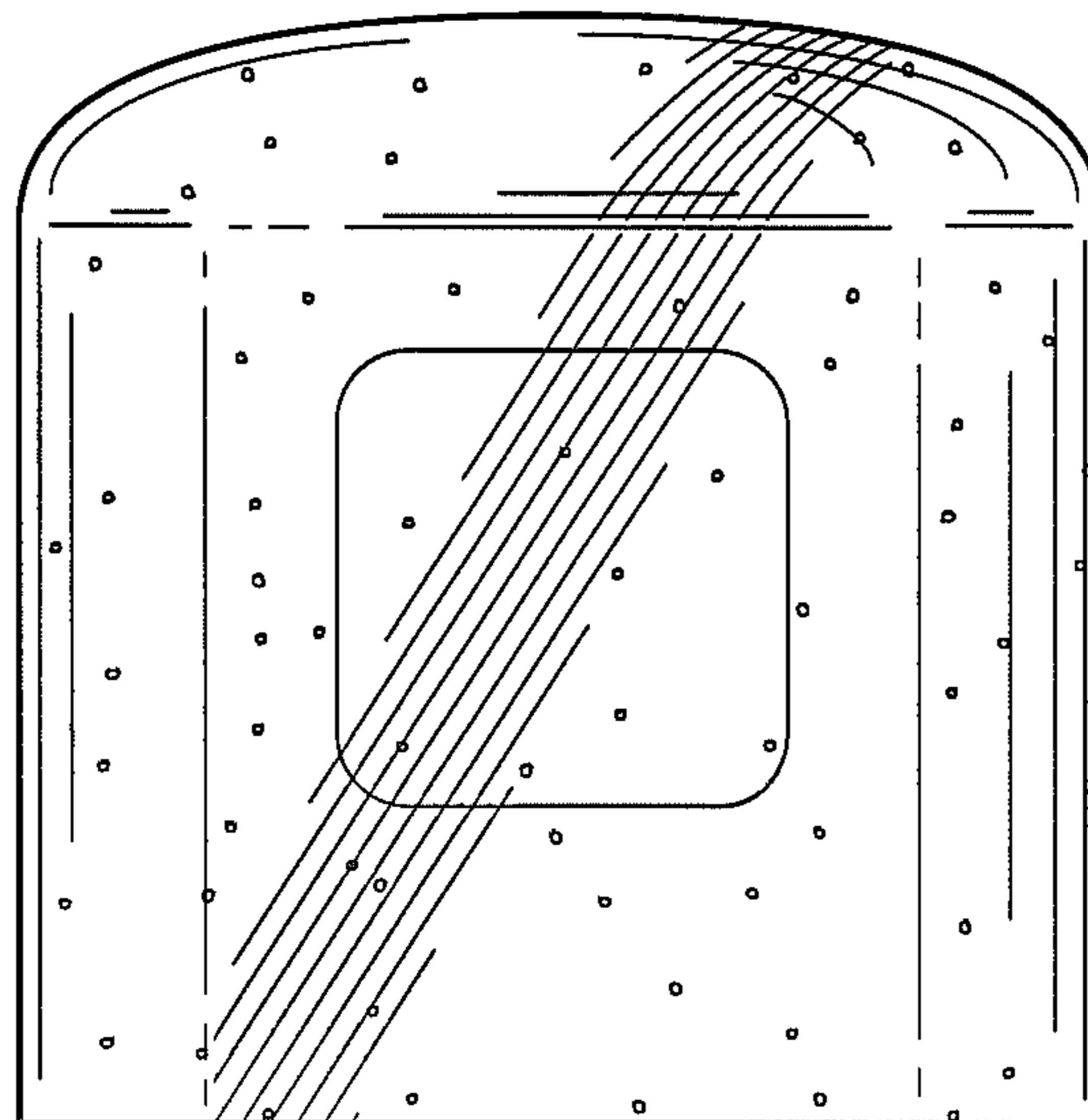


FIG. 68

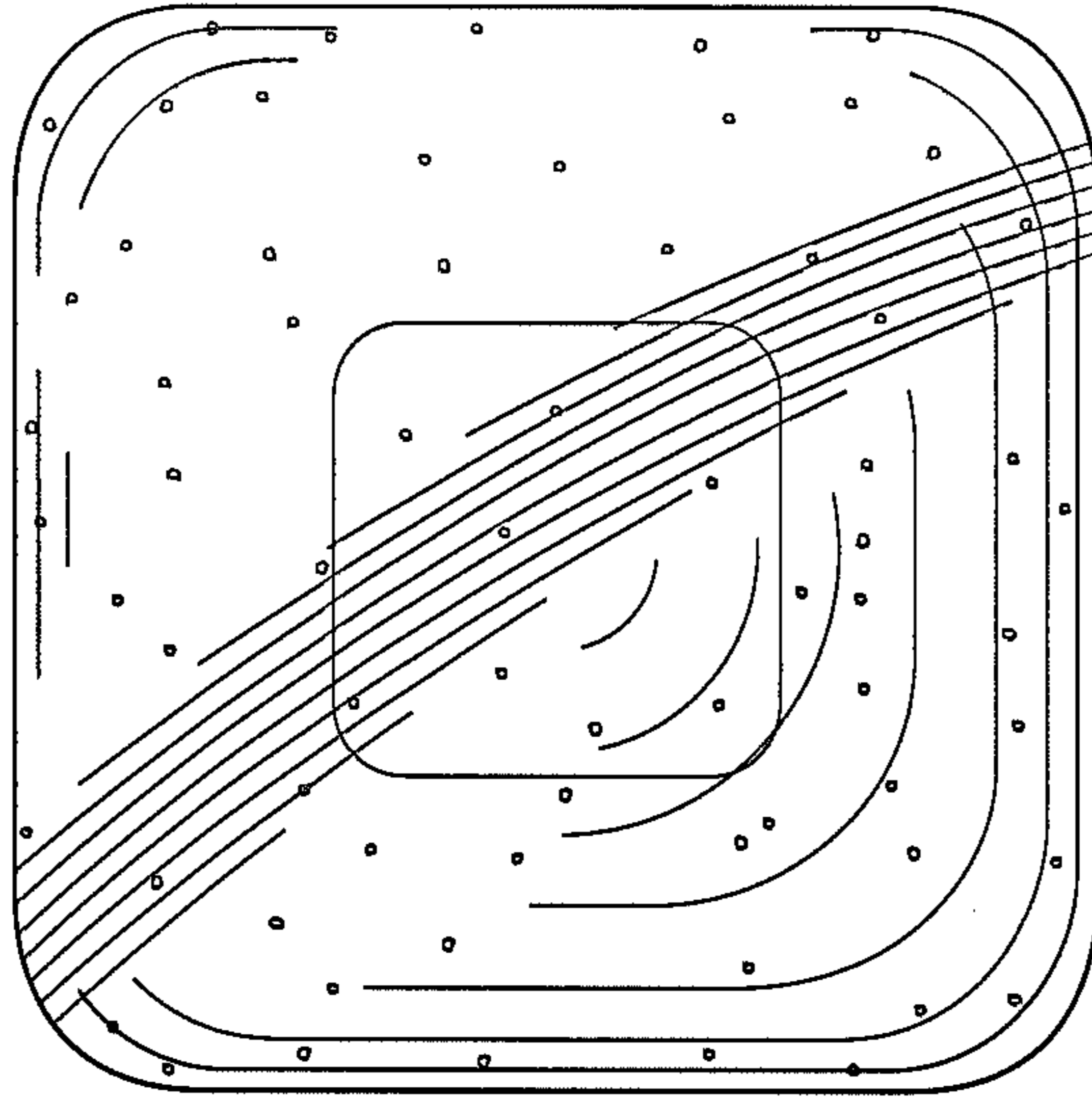


FIG. 69

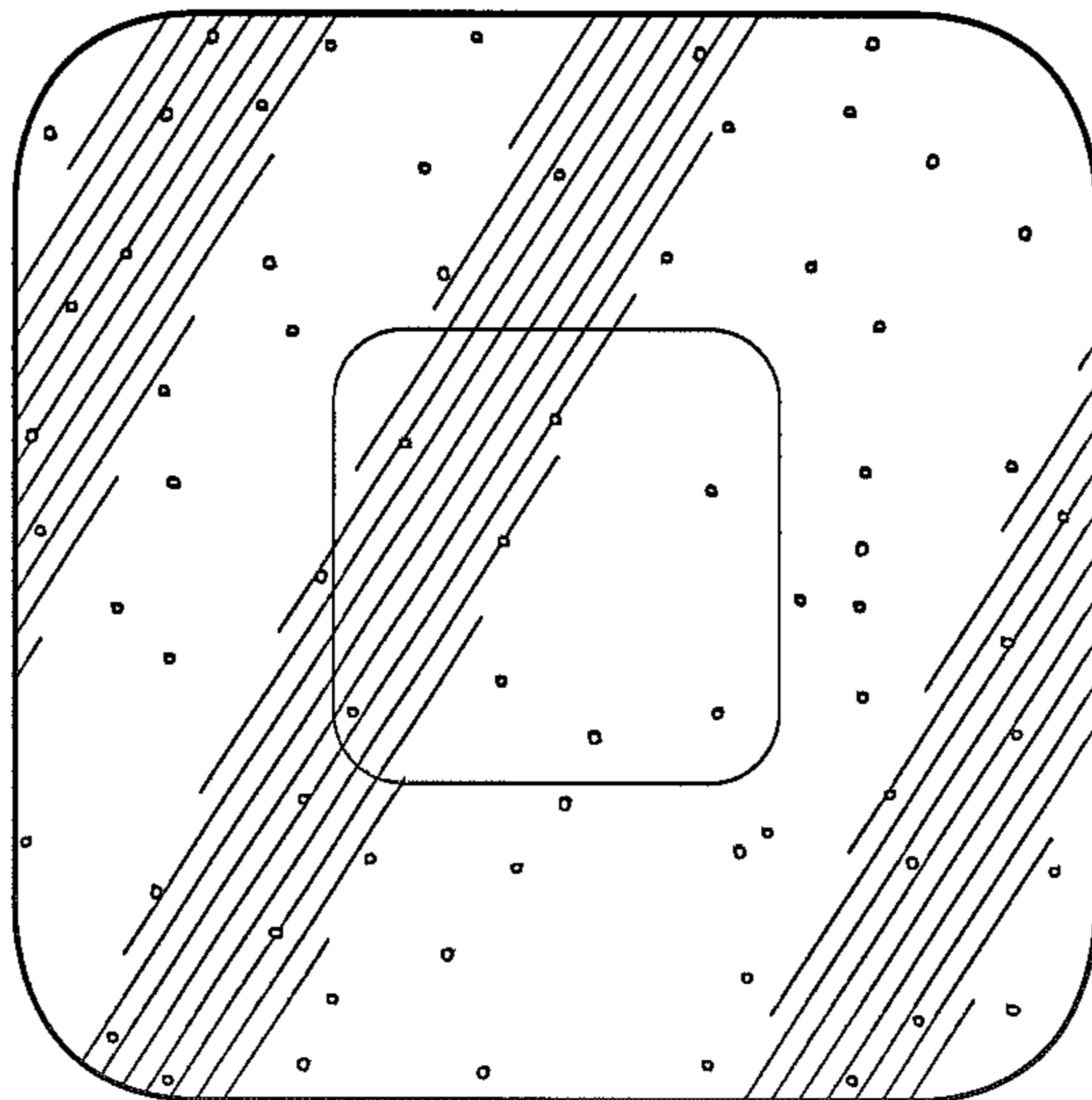


FIG. 70

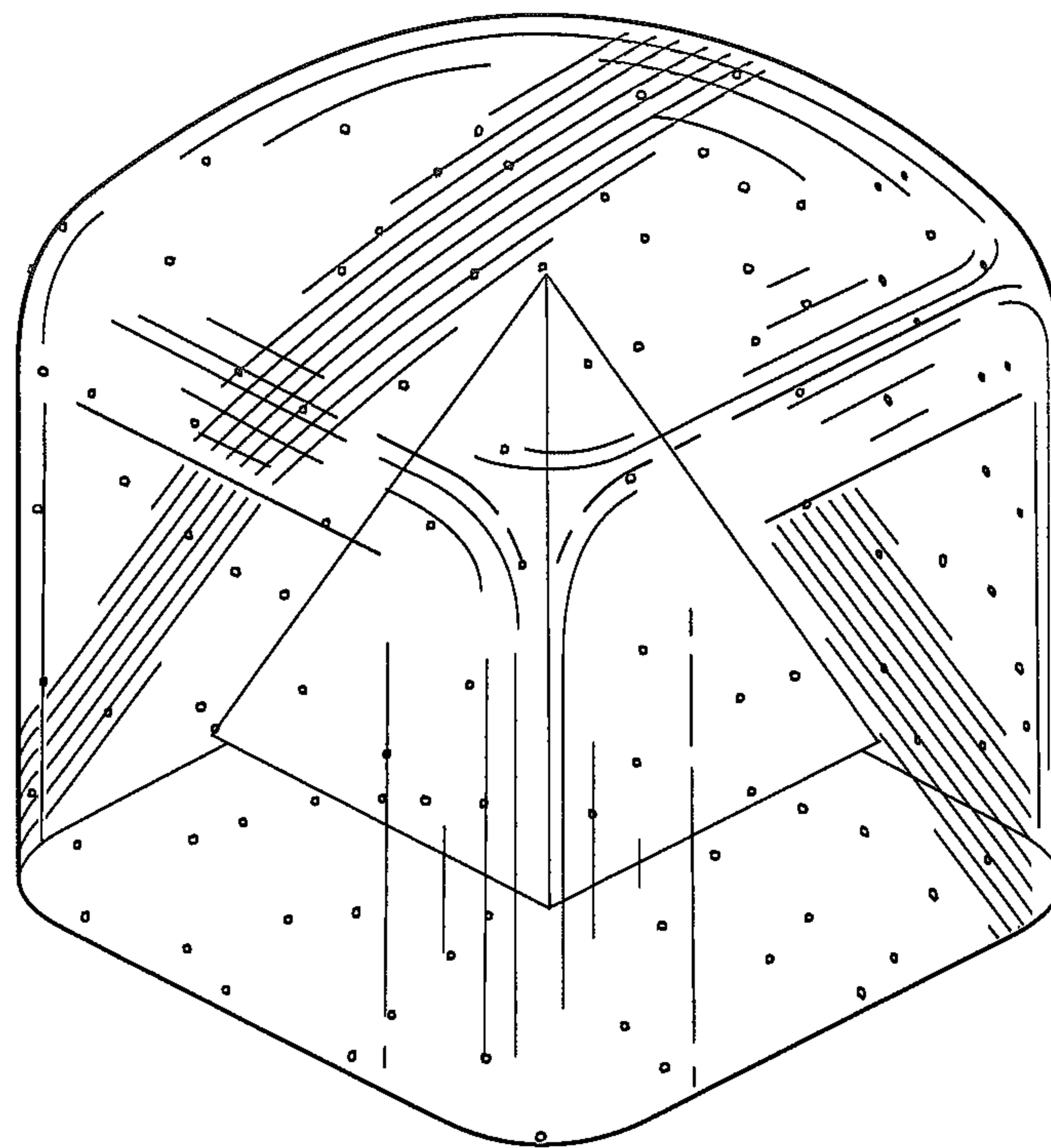


FIG. 71

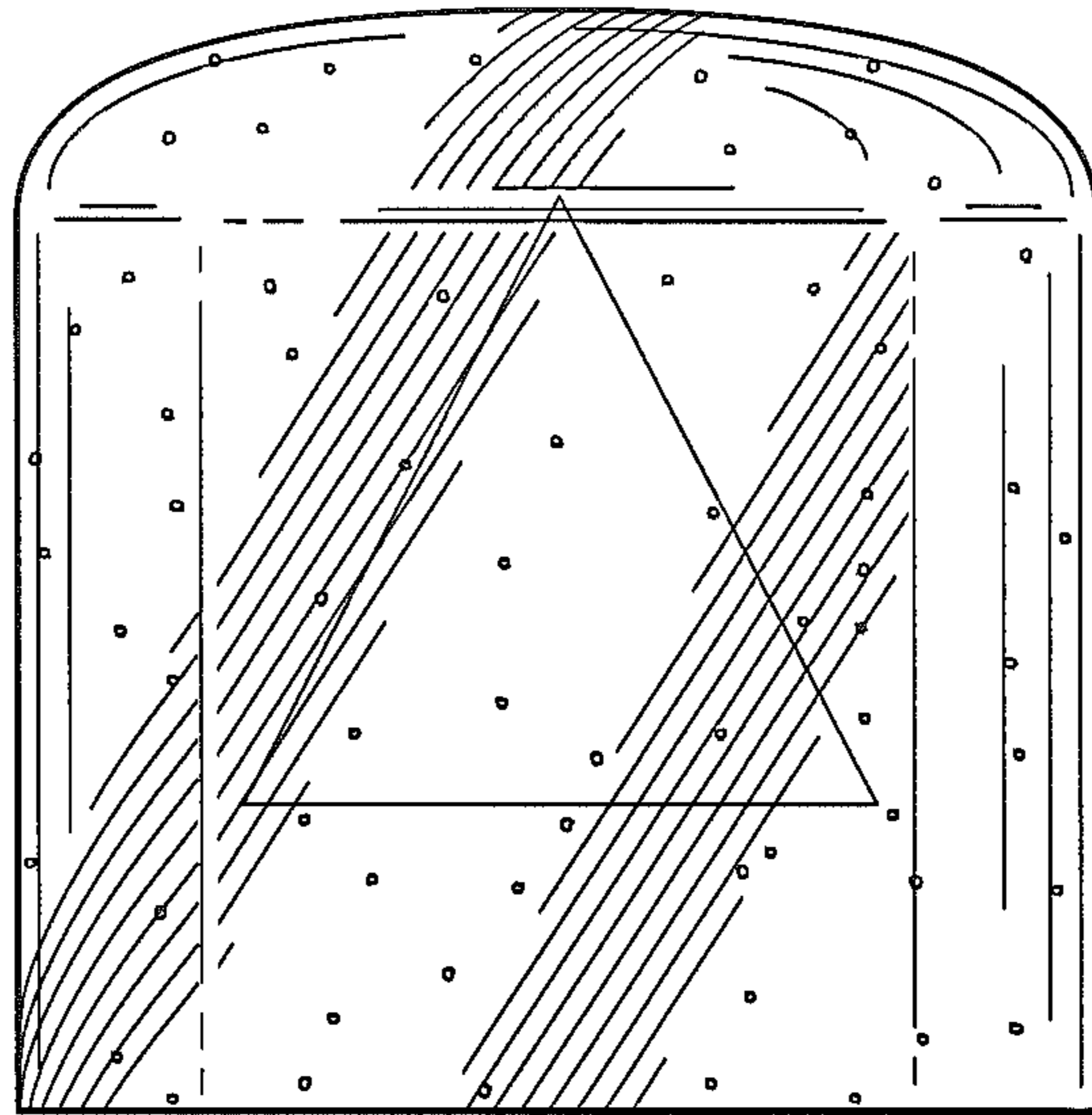


FIG. 72

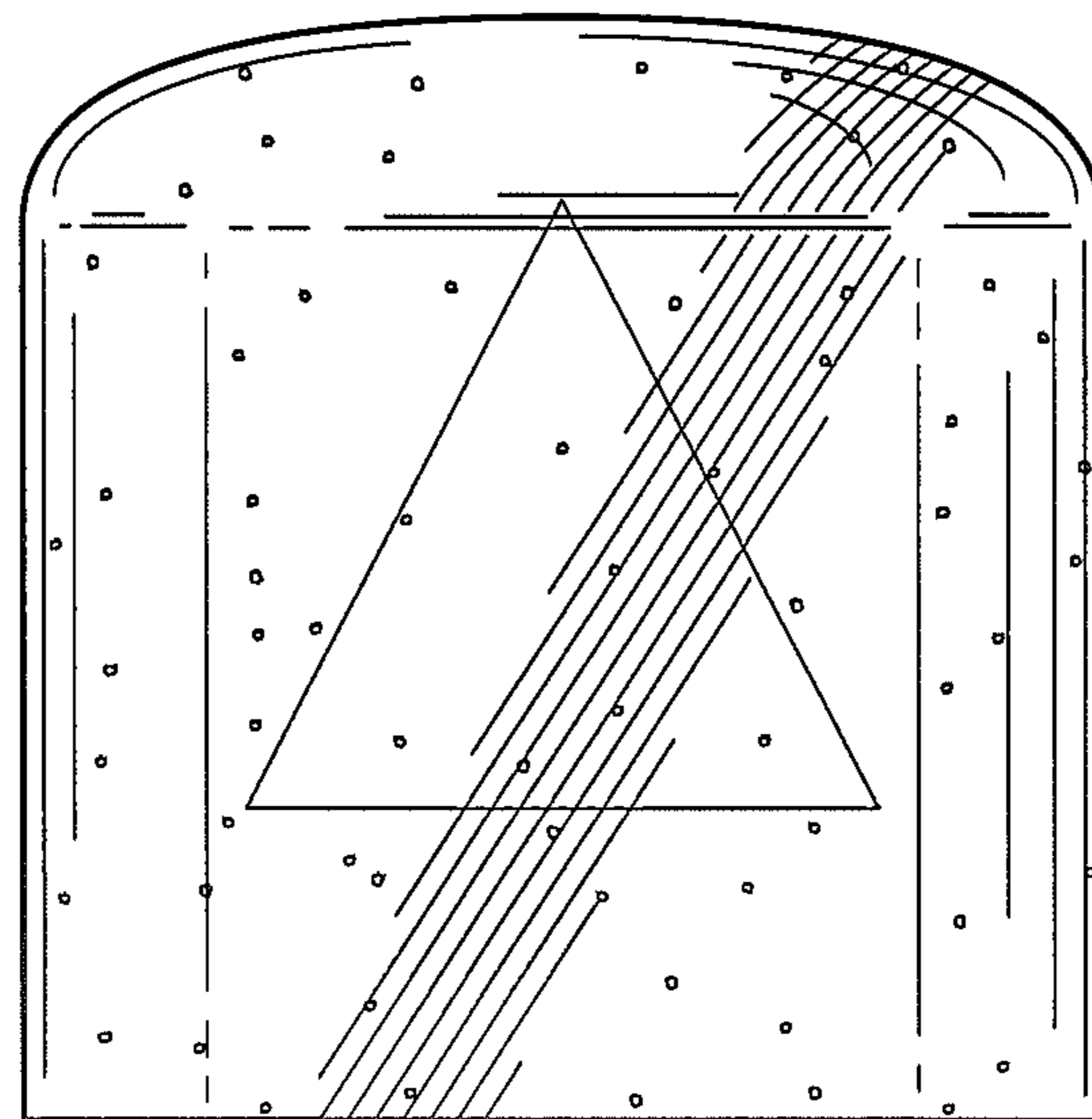


FIG. 73

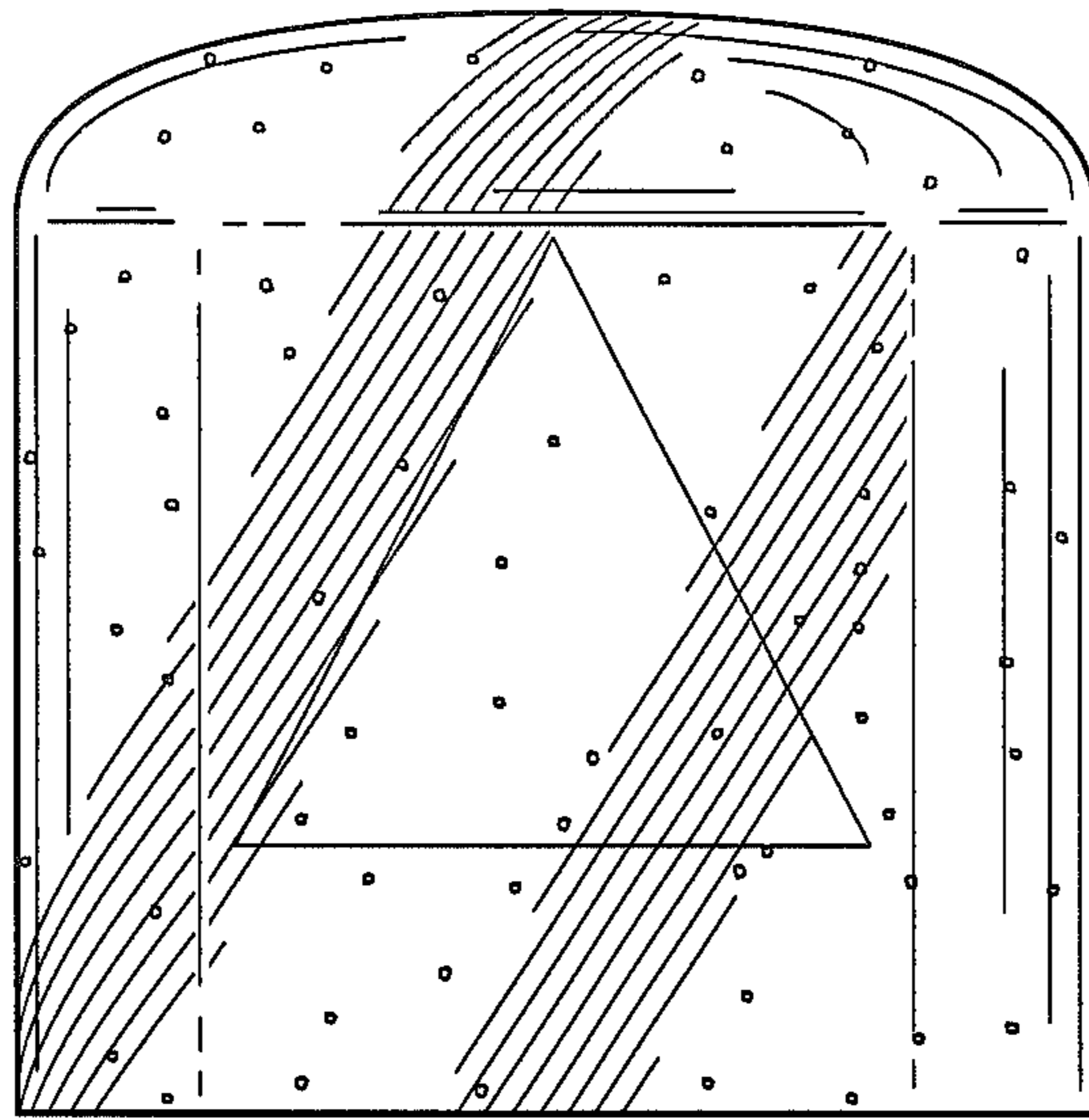


FIG. 74

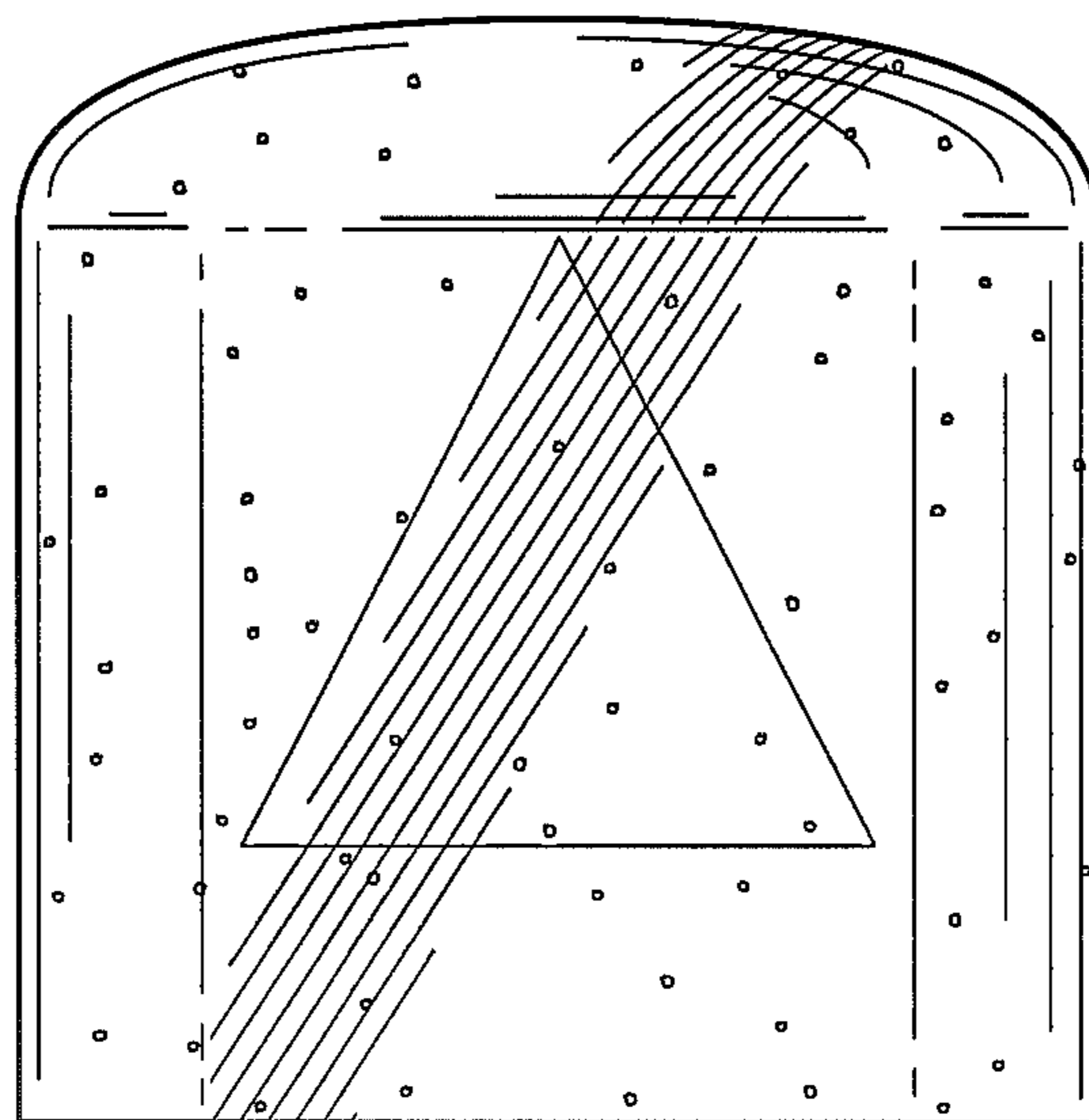


FIG. 75

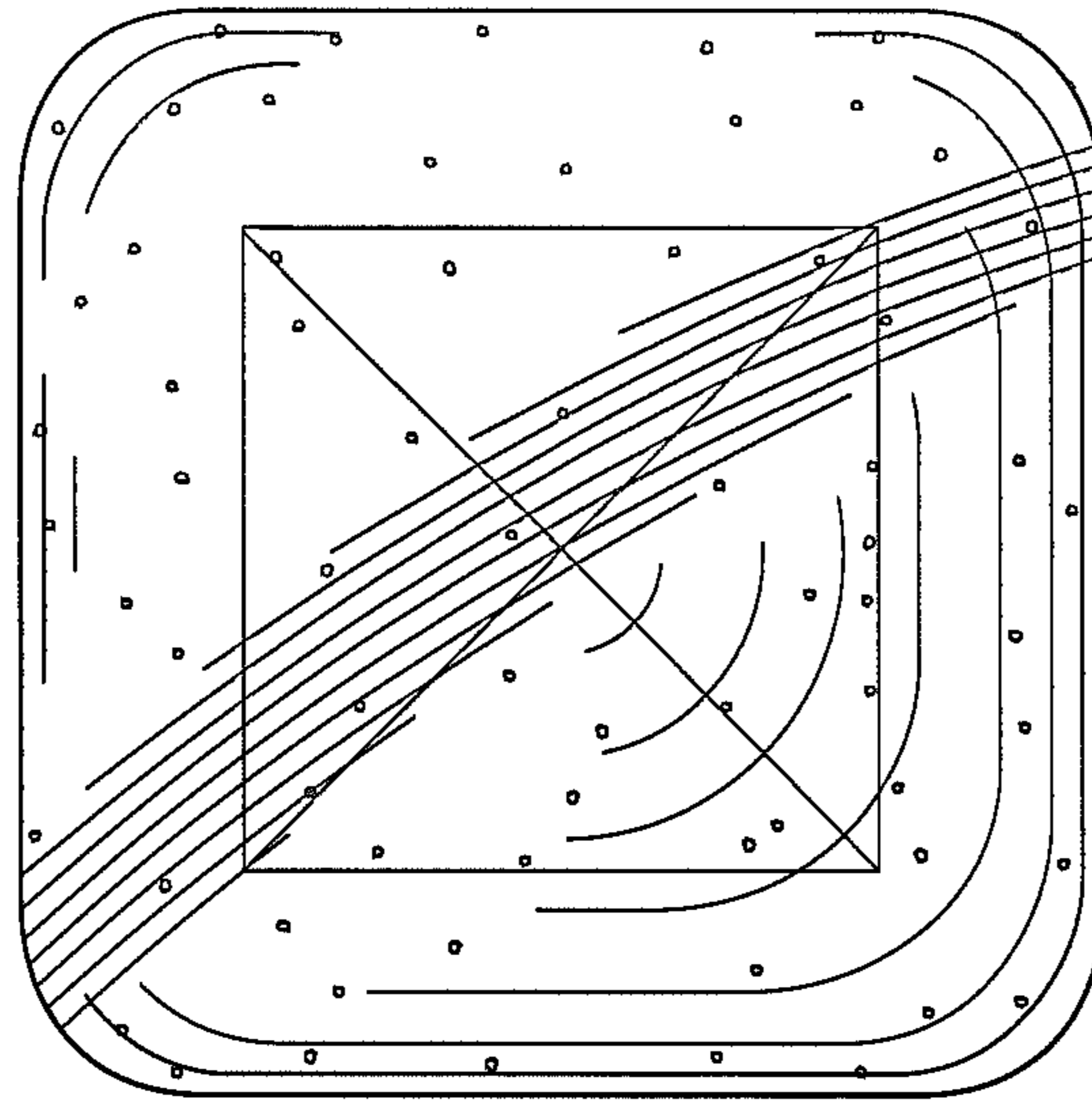


FIG. 76

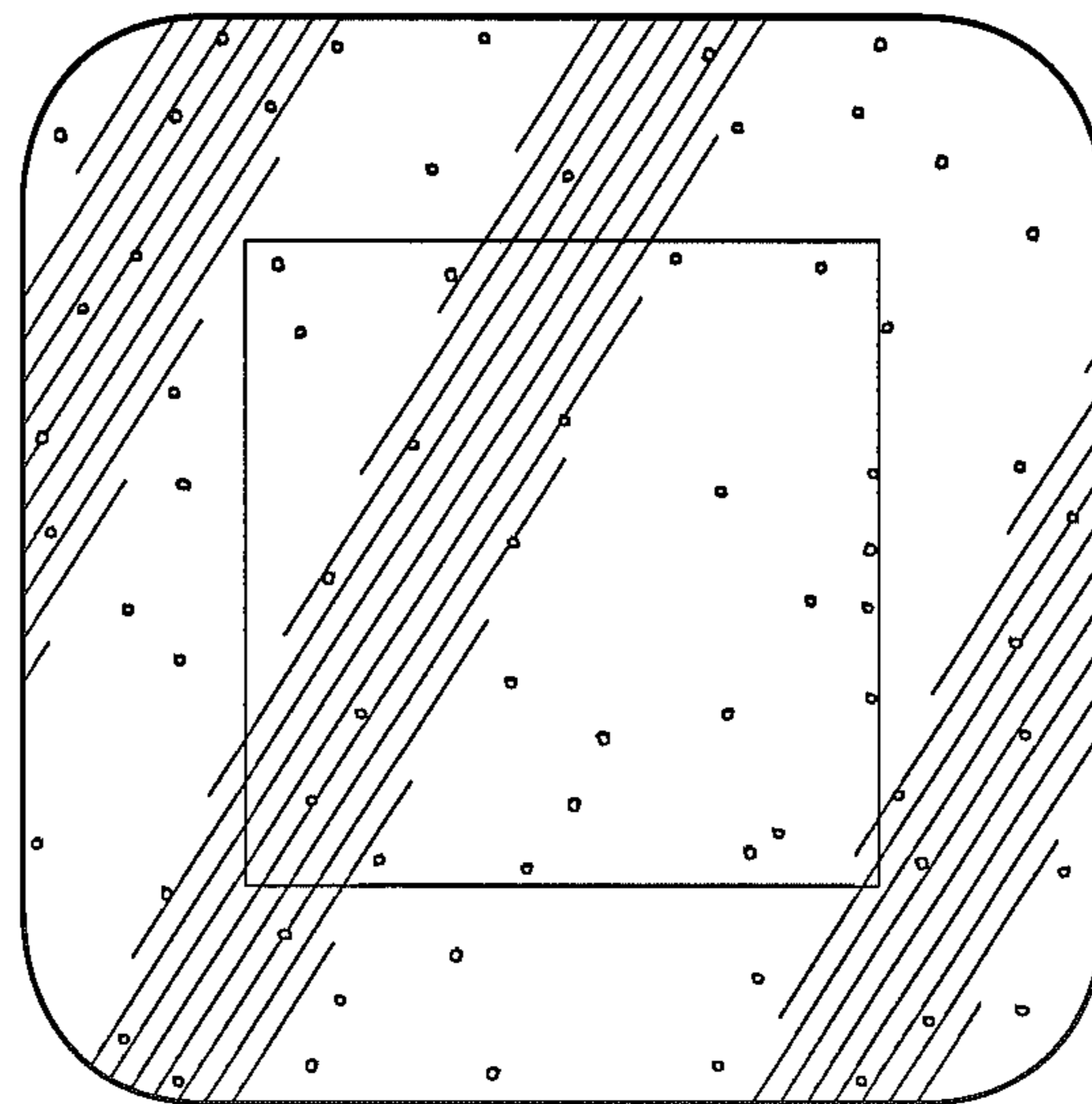


FIG. 77

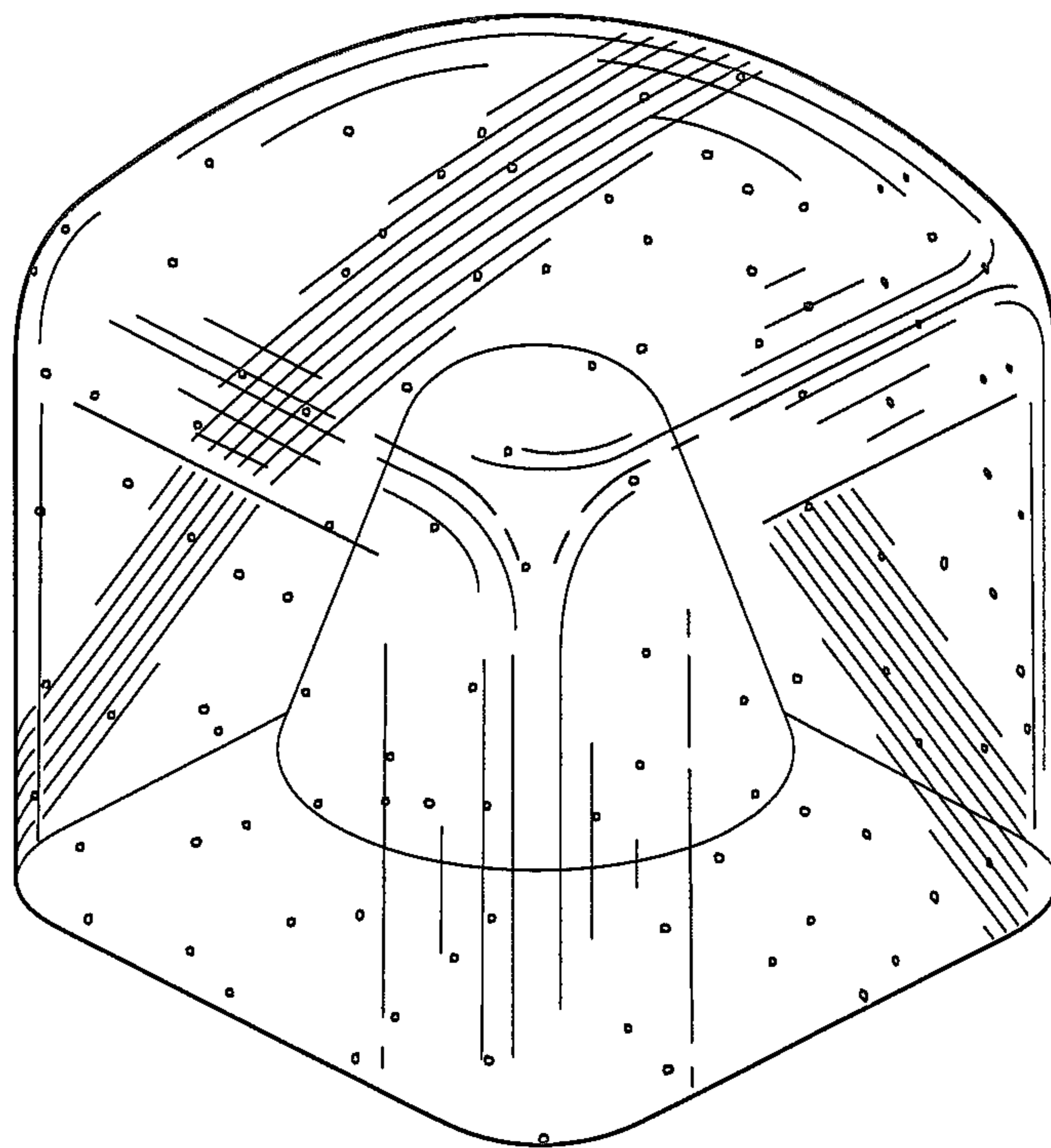


FIG. 78

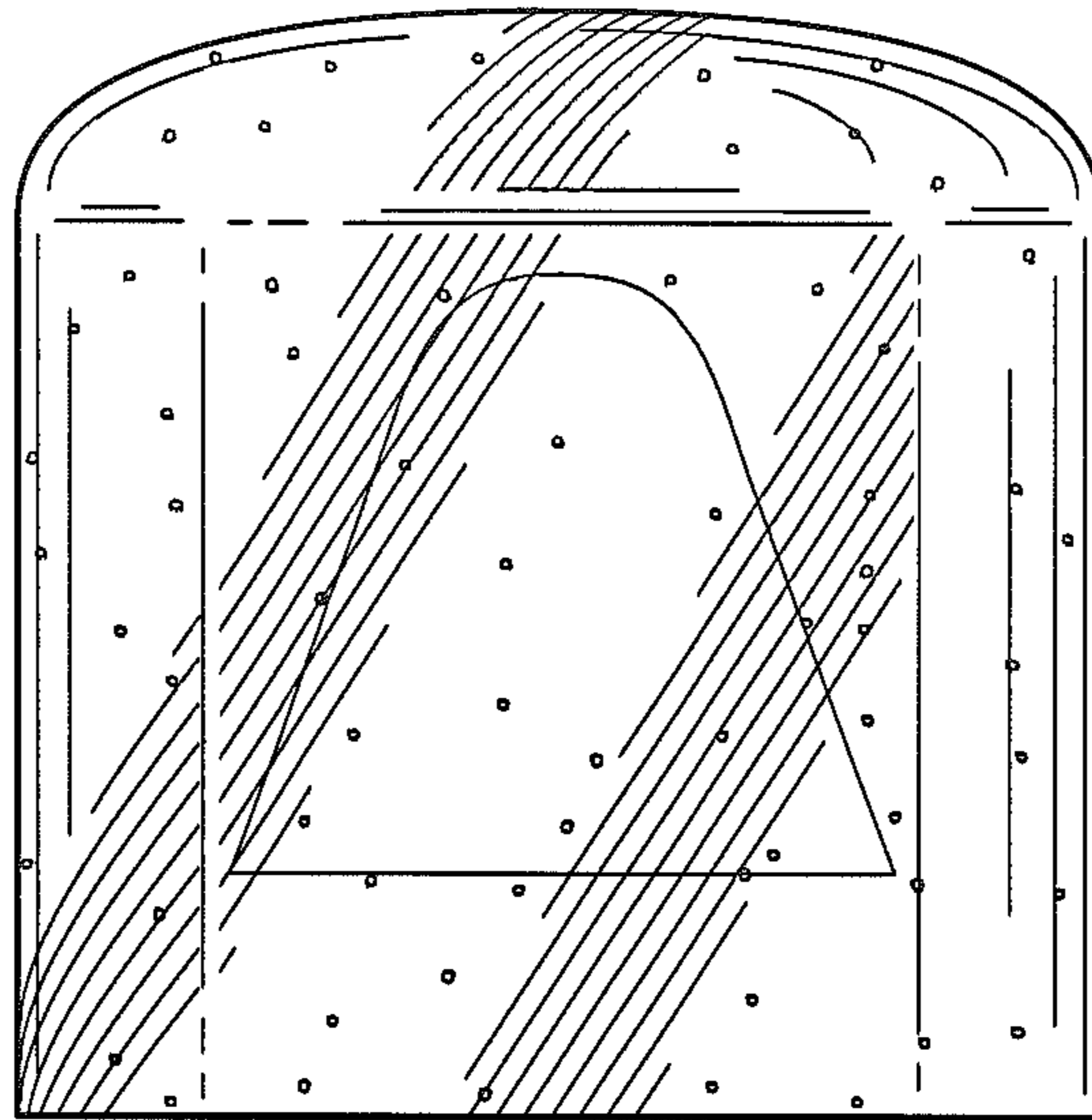


FIG. 79

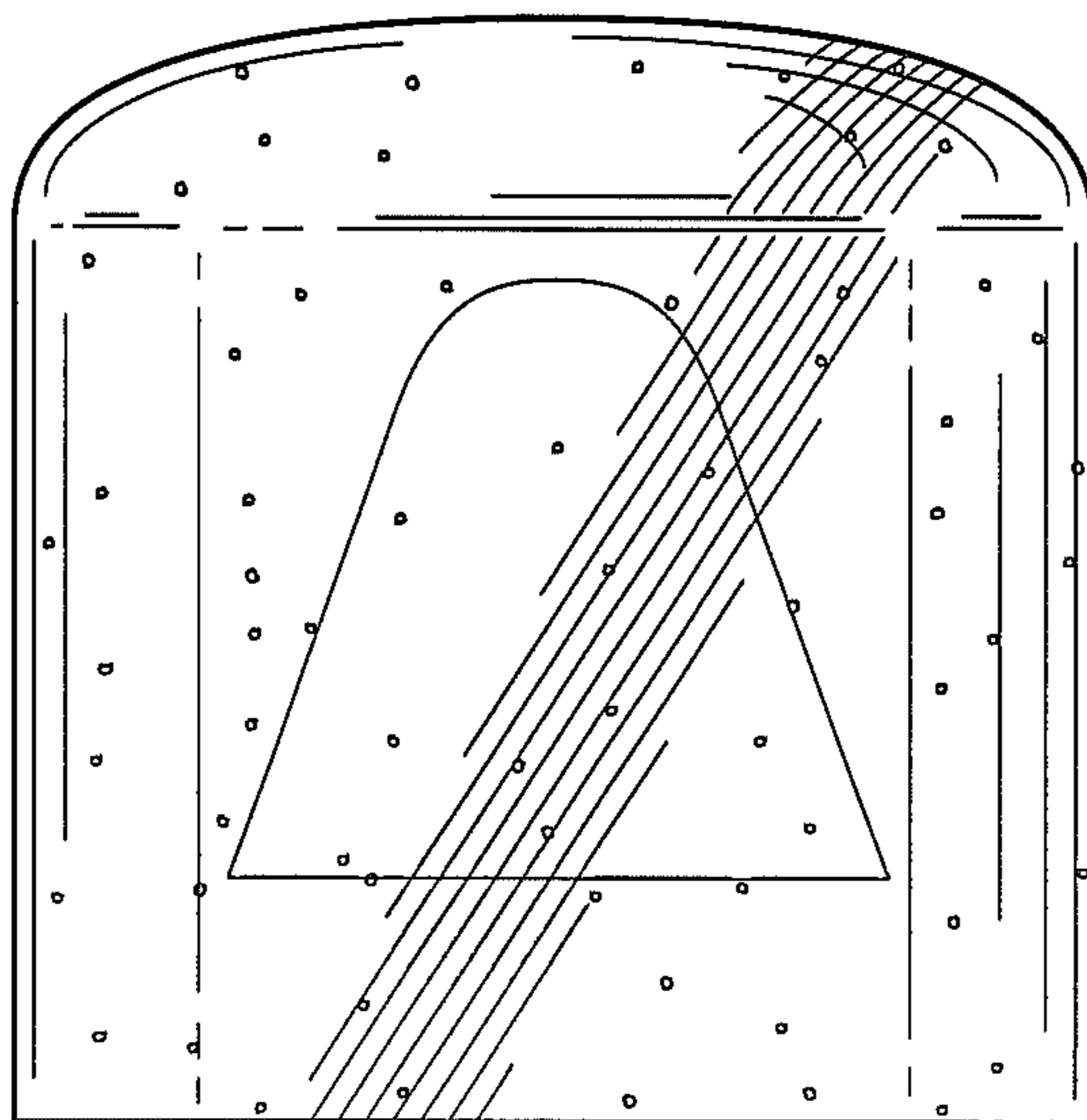


FIG. 80

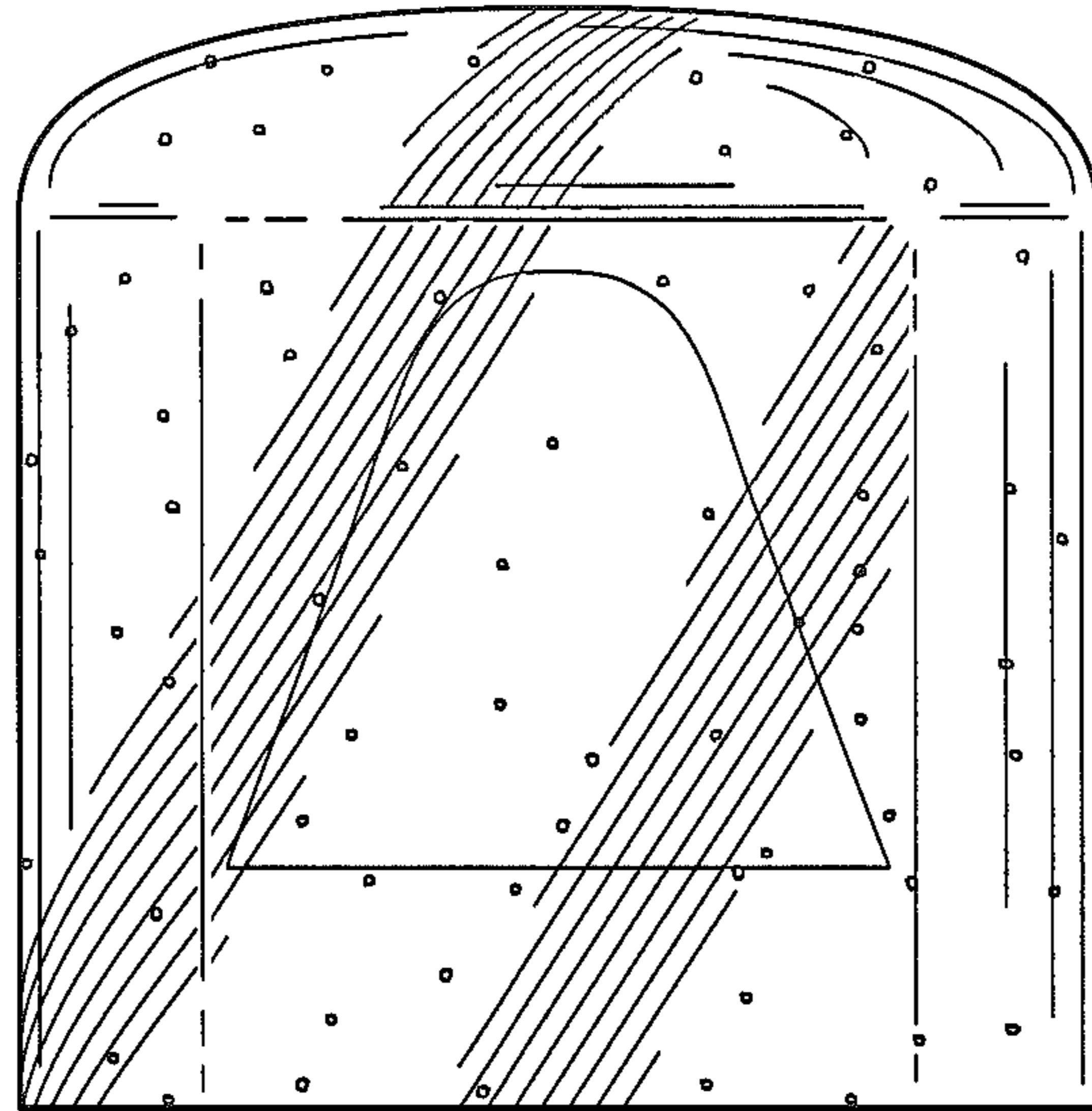


FIG. 81

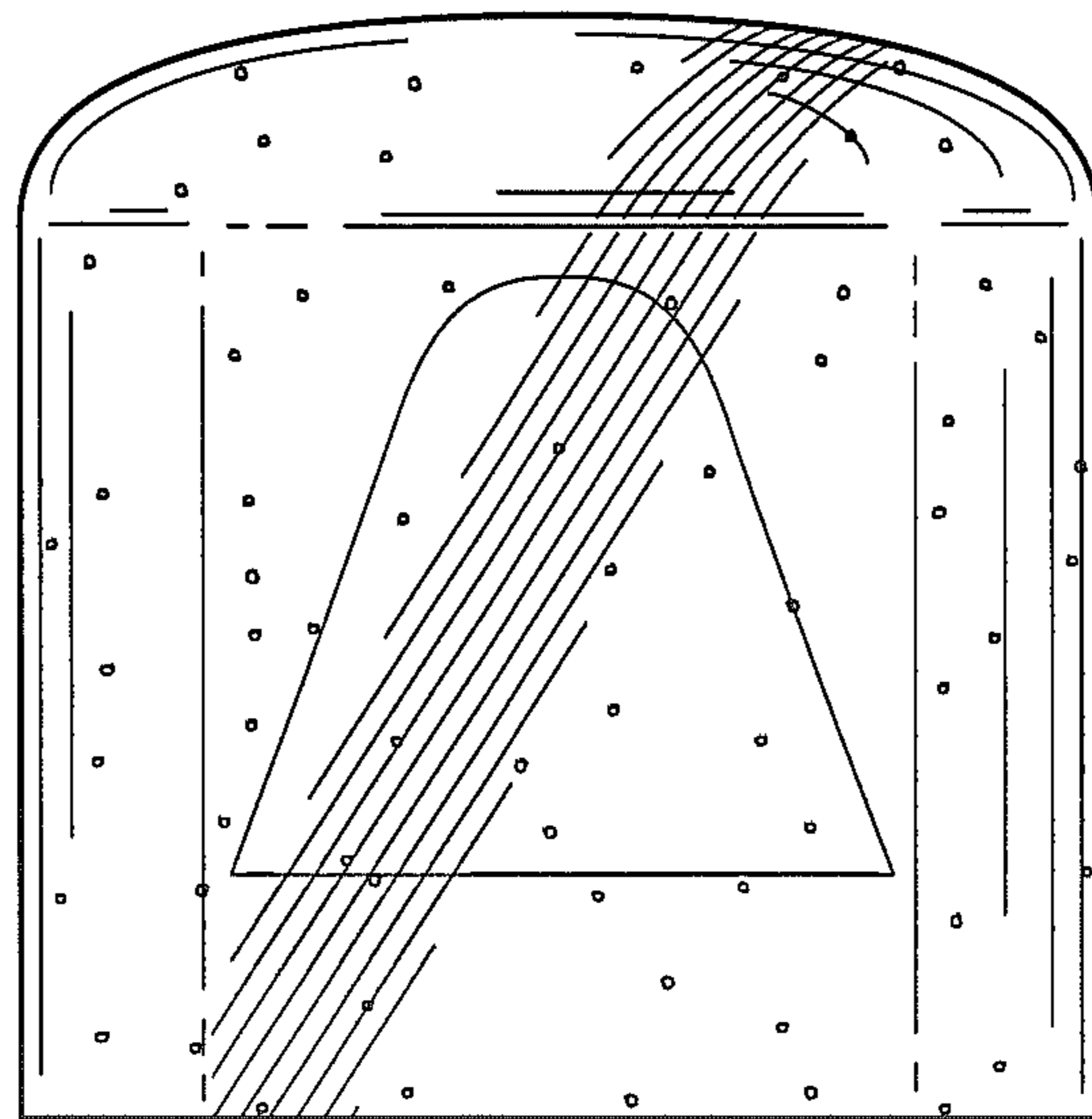


FIG. 82

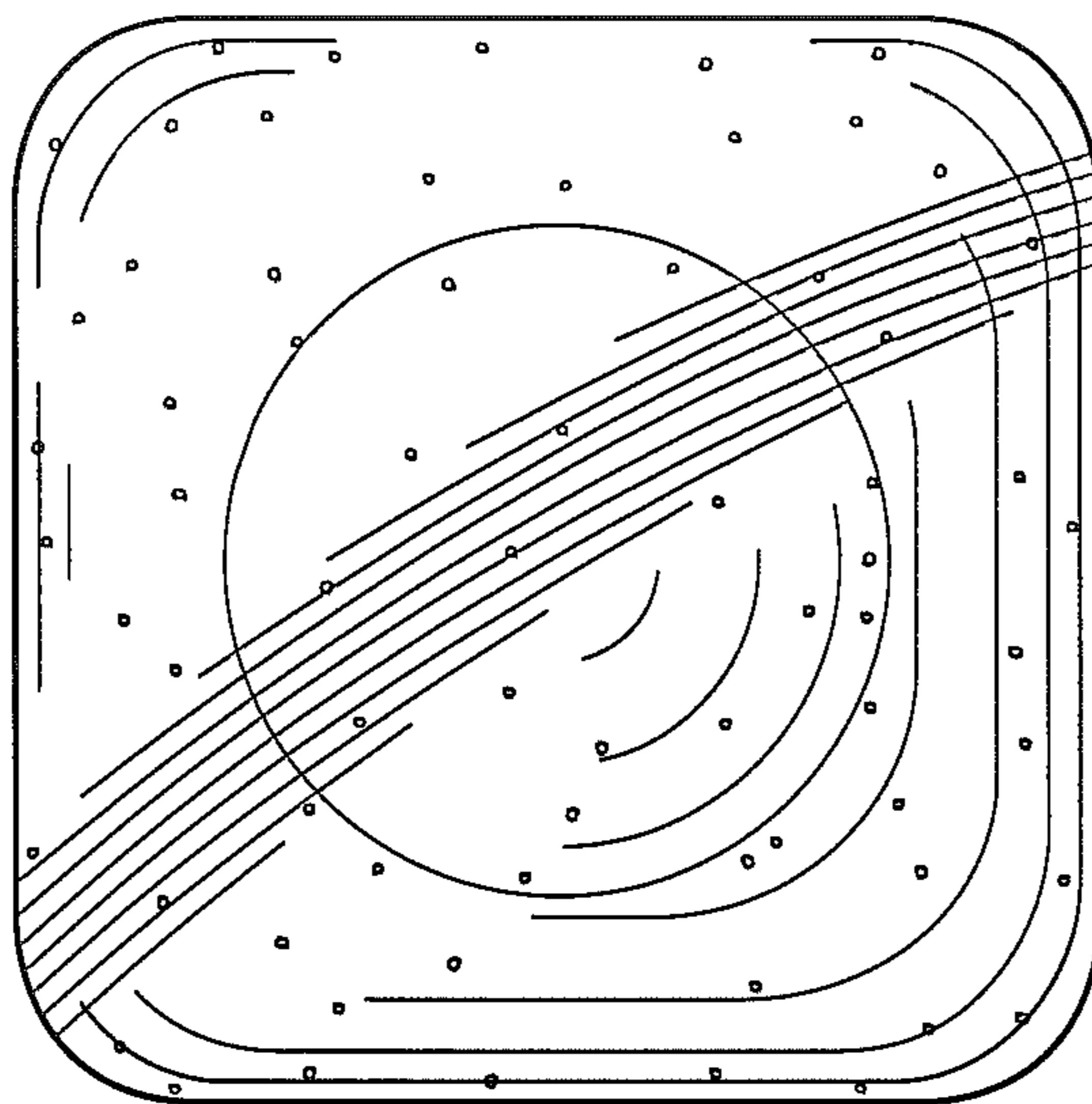


FIG. 83

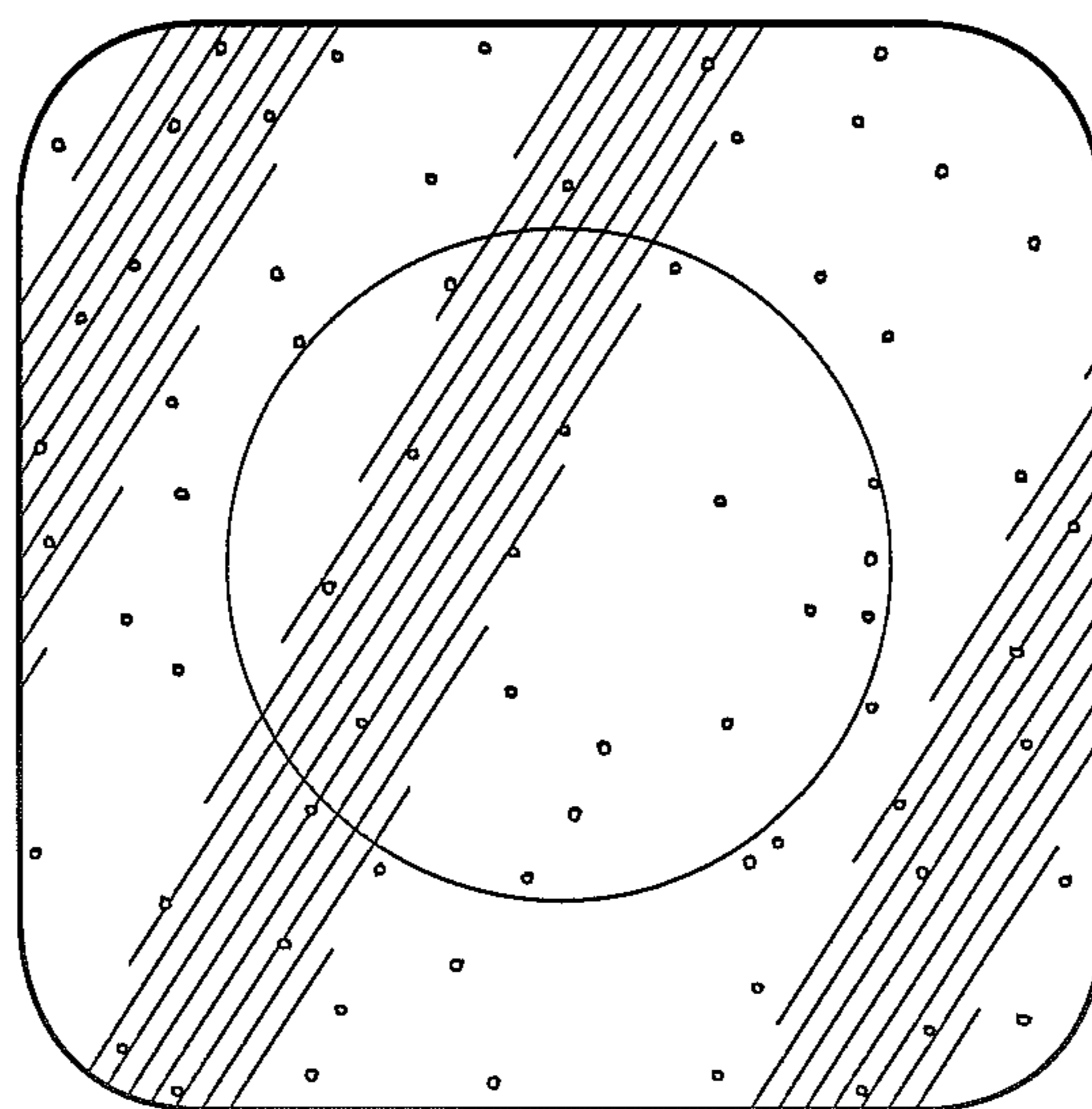


FIG. 84

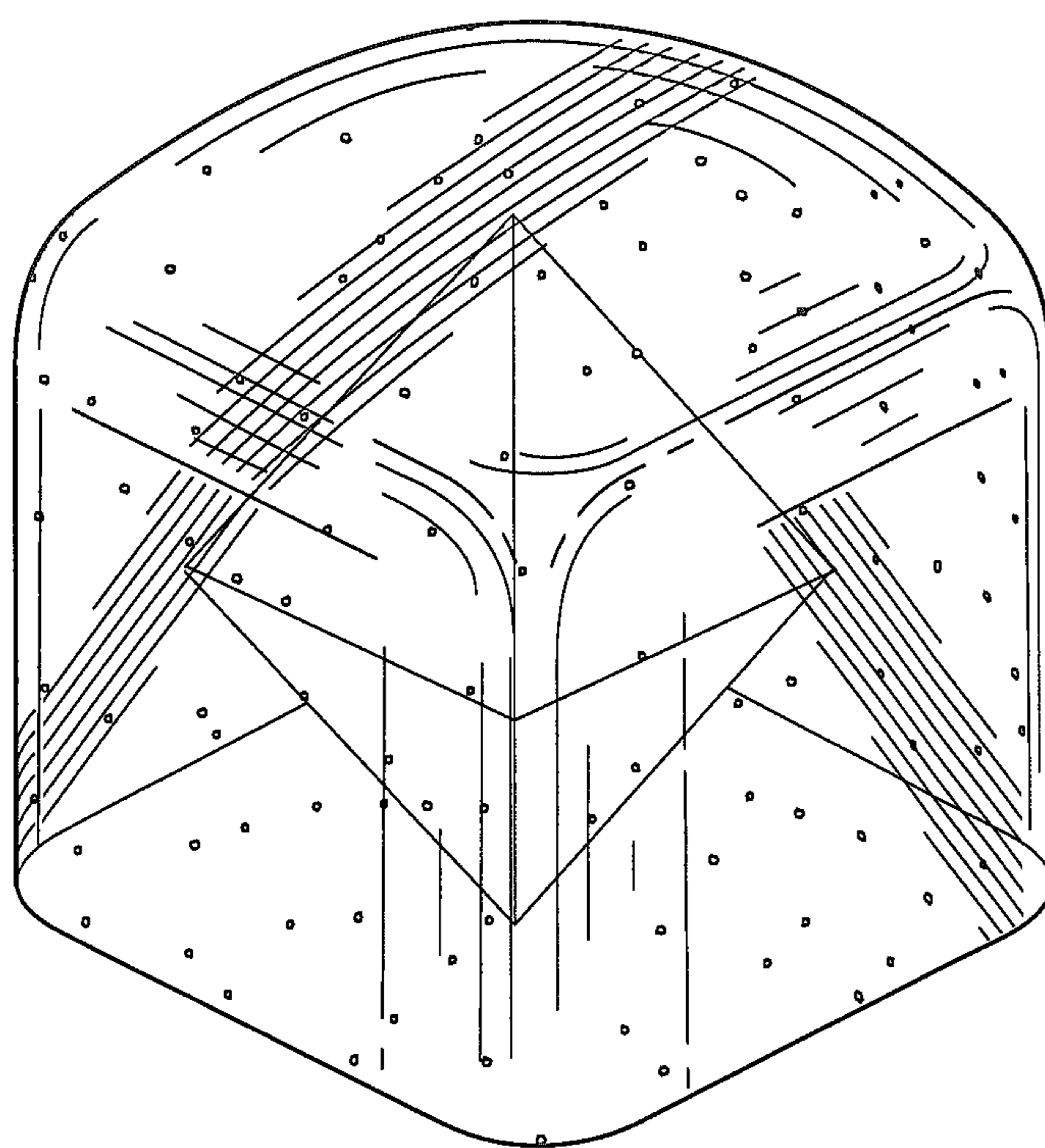


FIG. 85

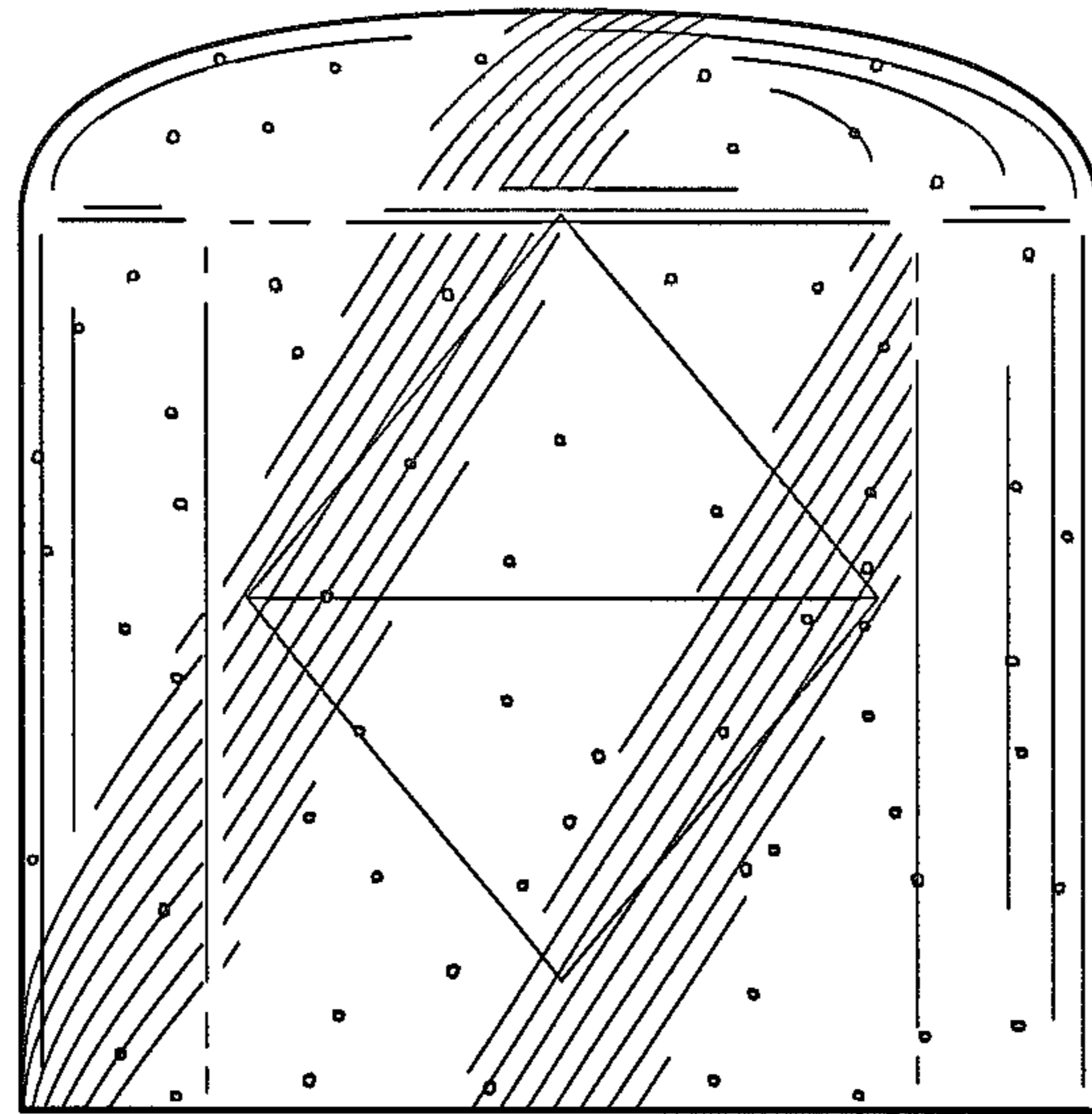


FIG. 86

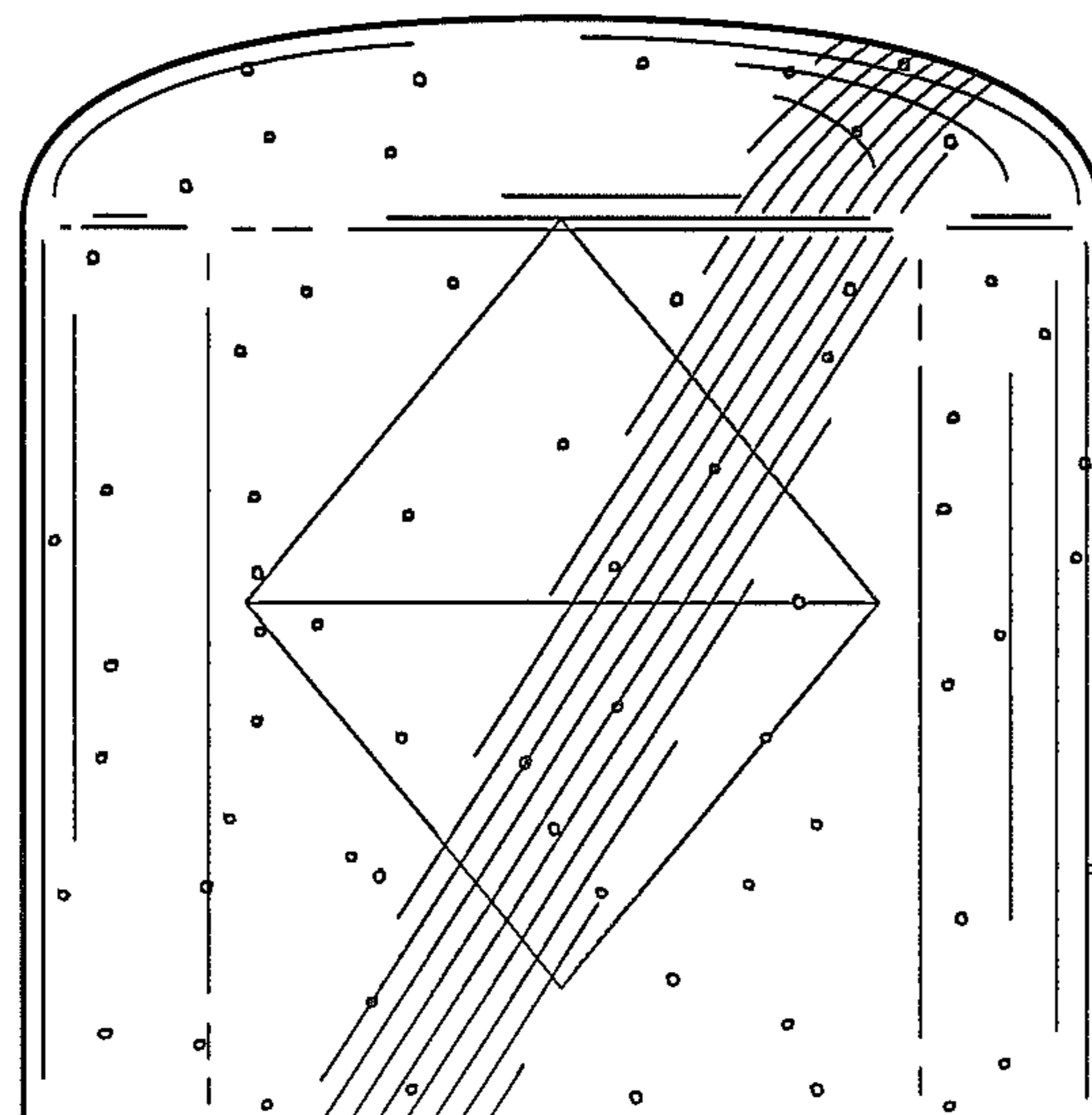


FIG. 87

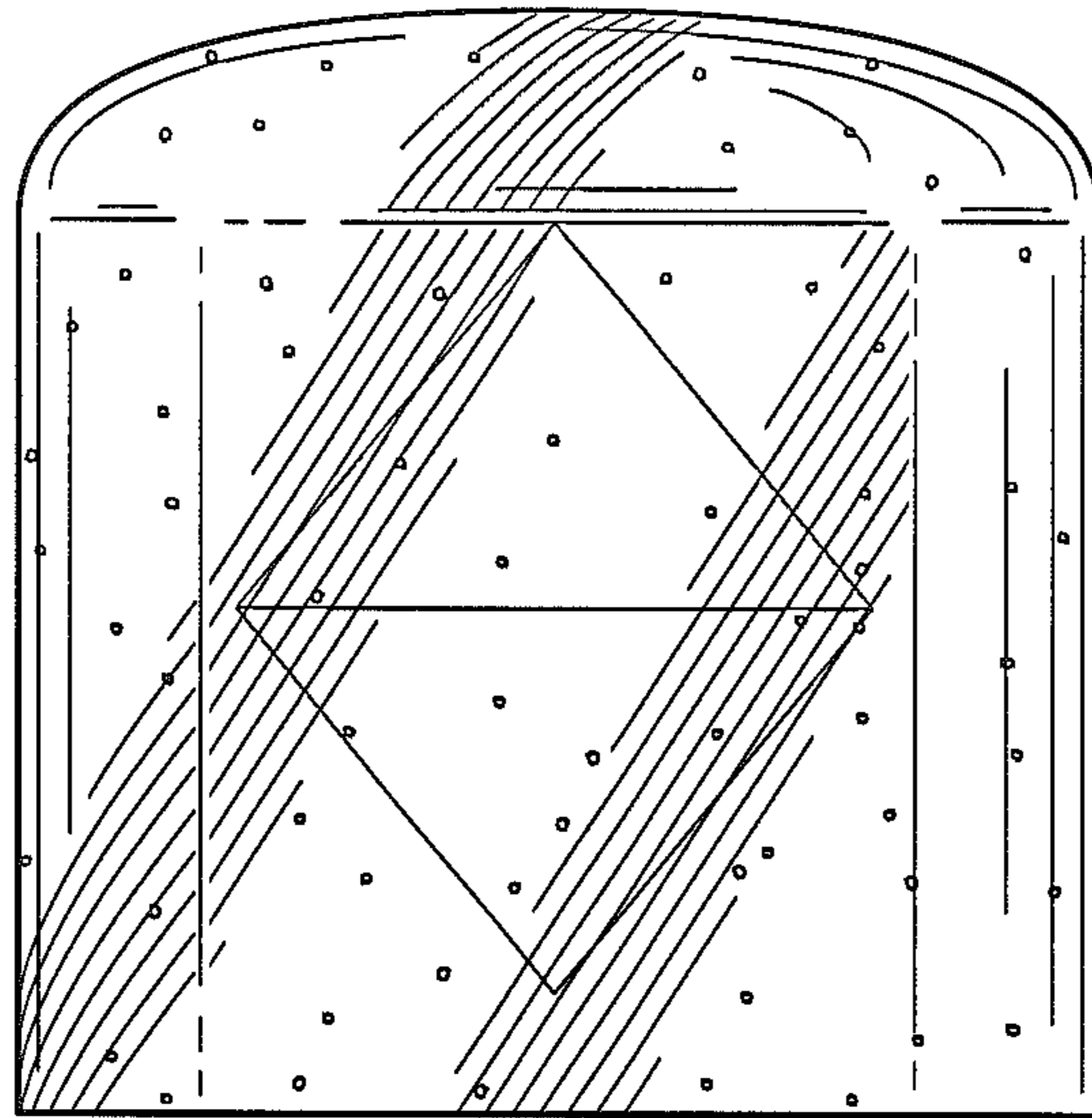


FIG. 88

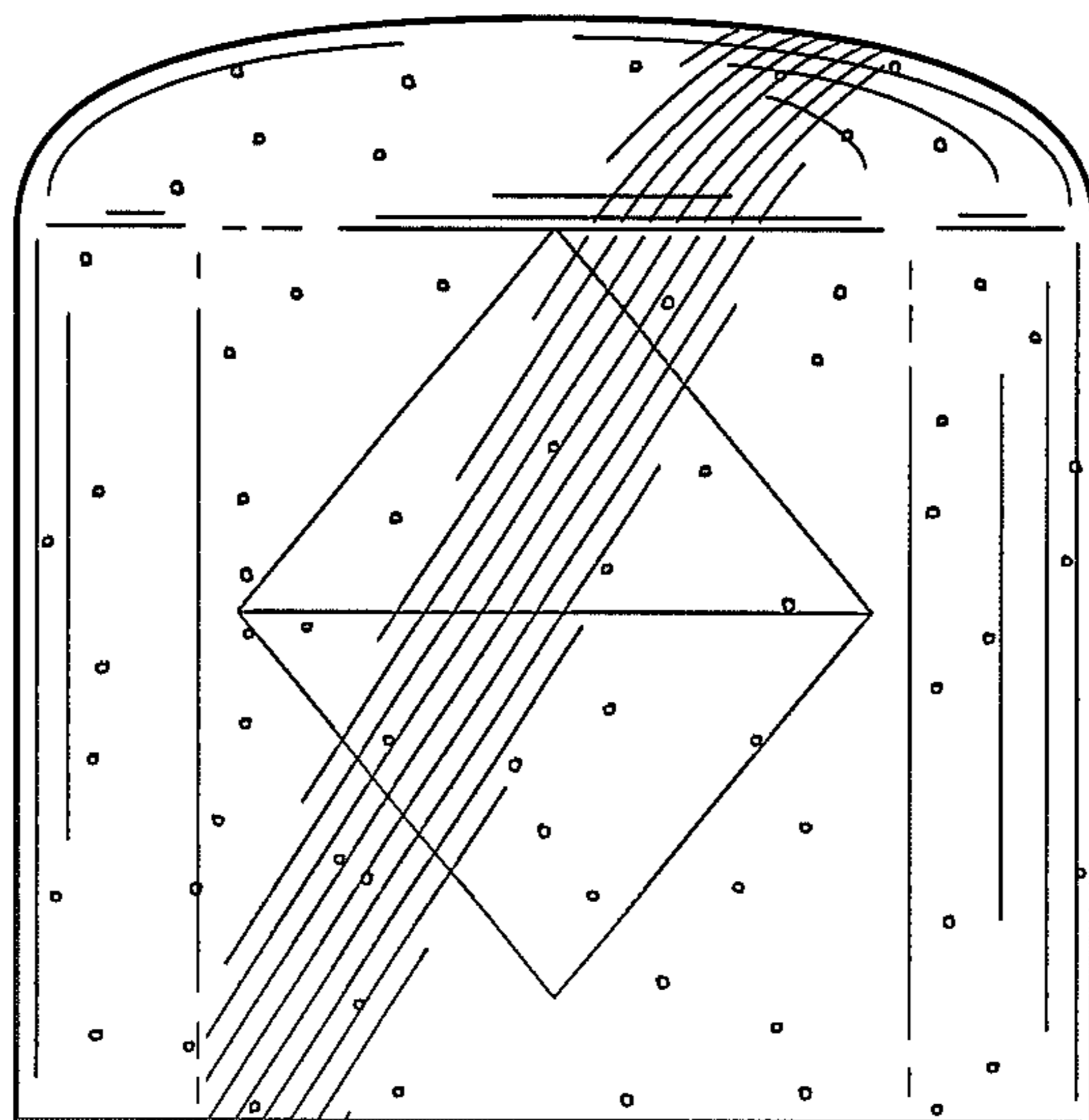


FIG. 89

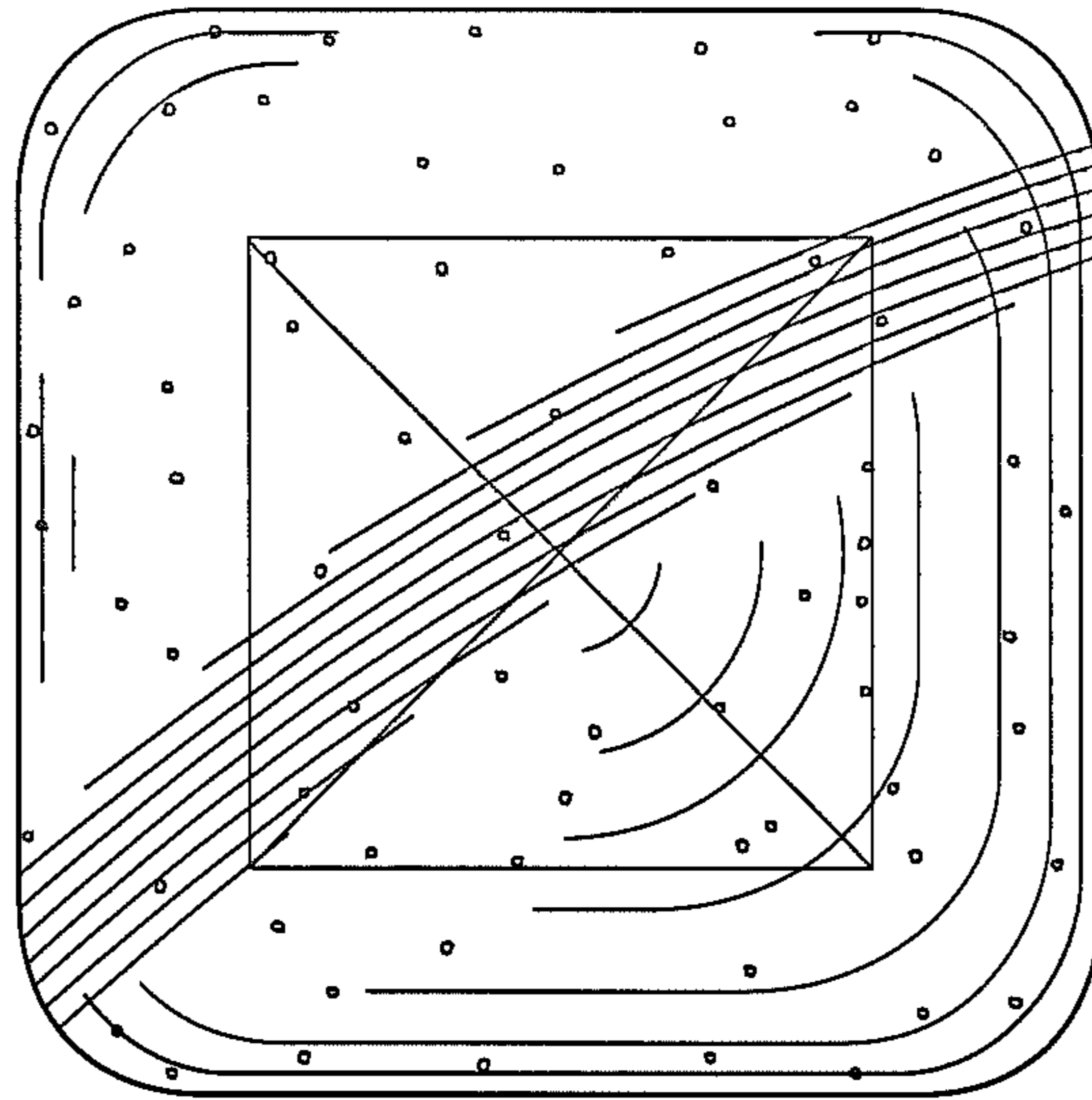


FIG. 90

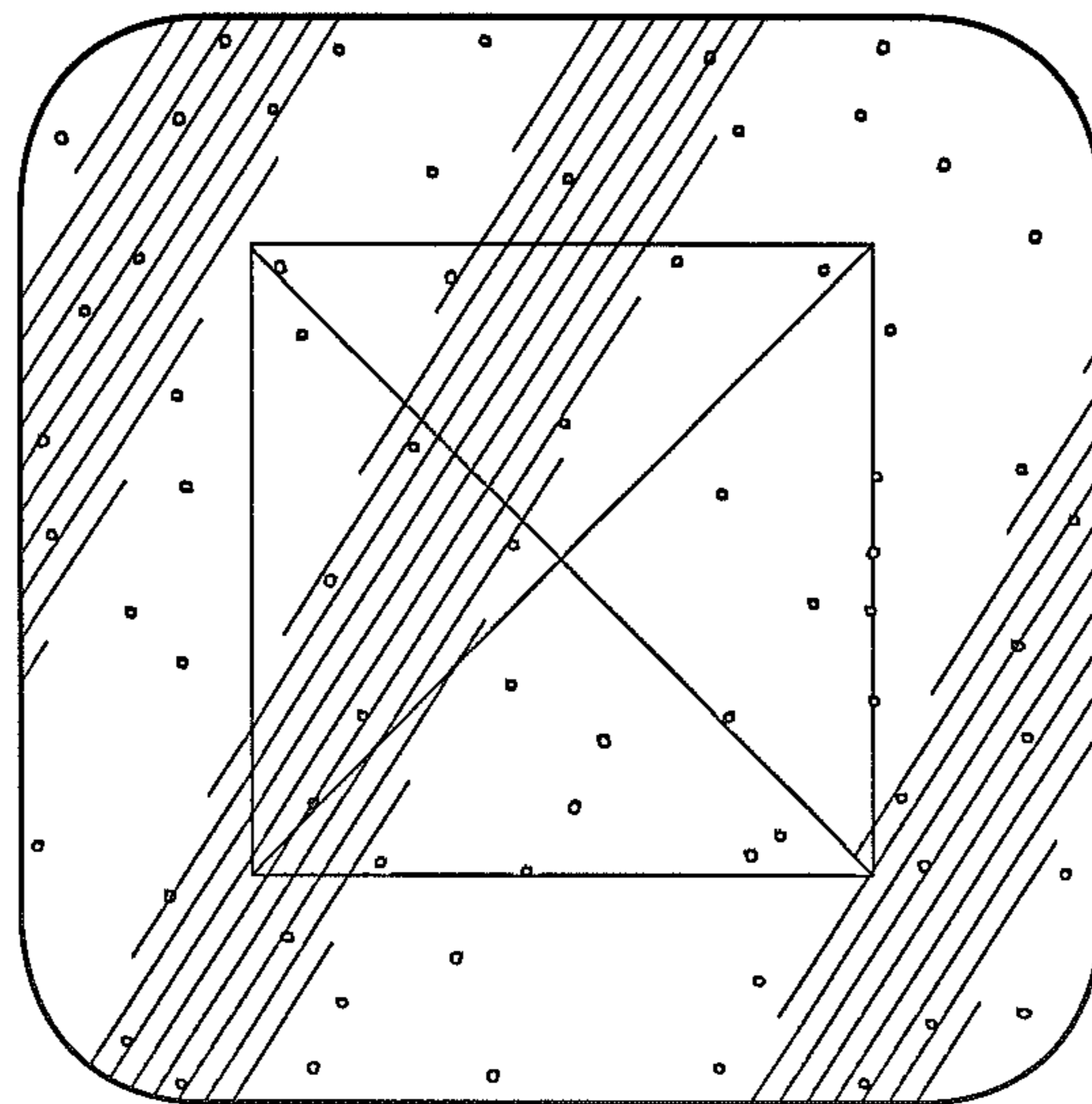


FIG. 91

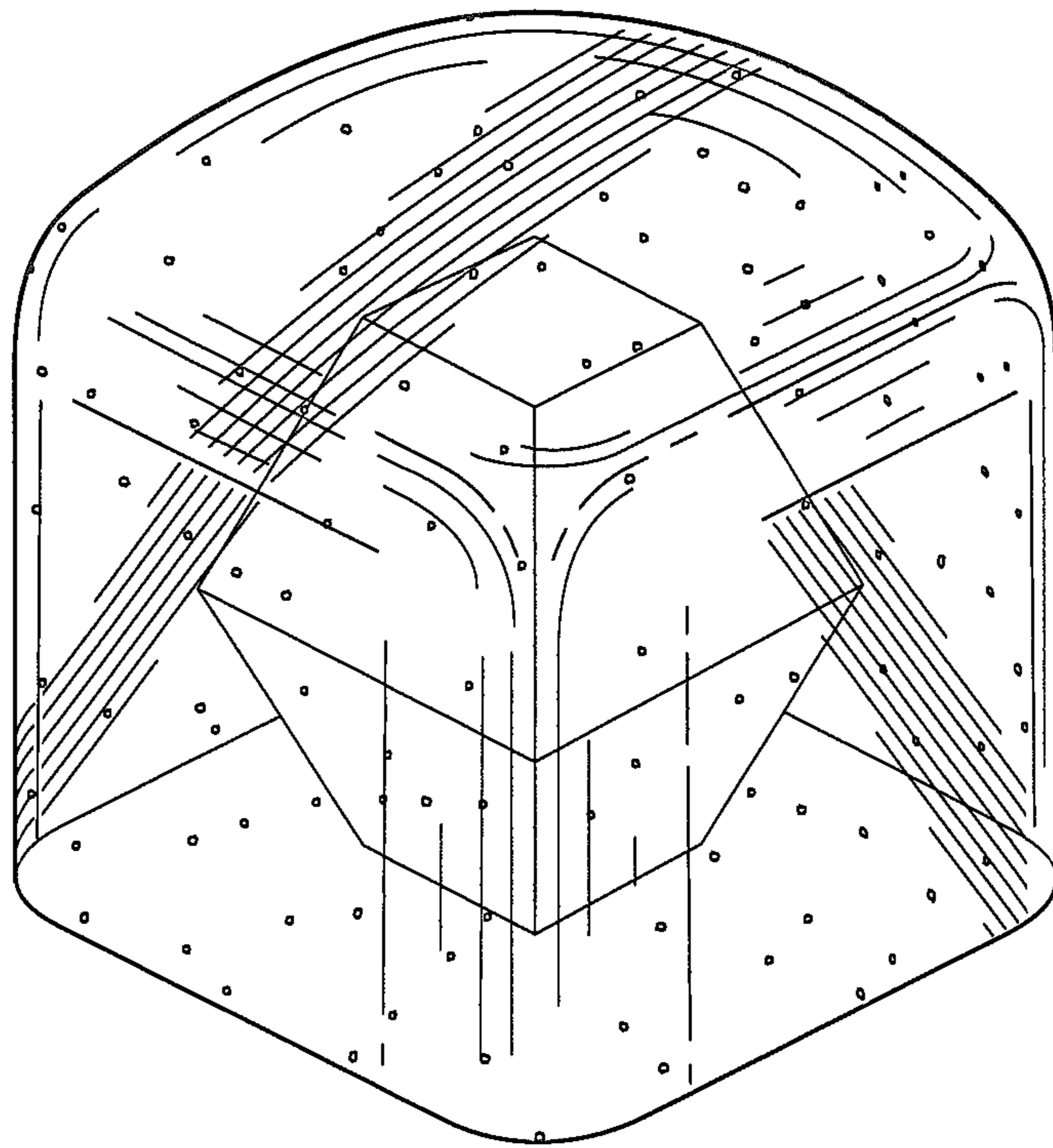


FIG. 92

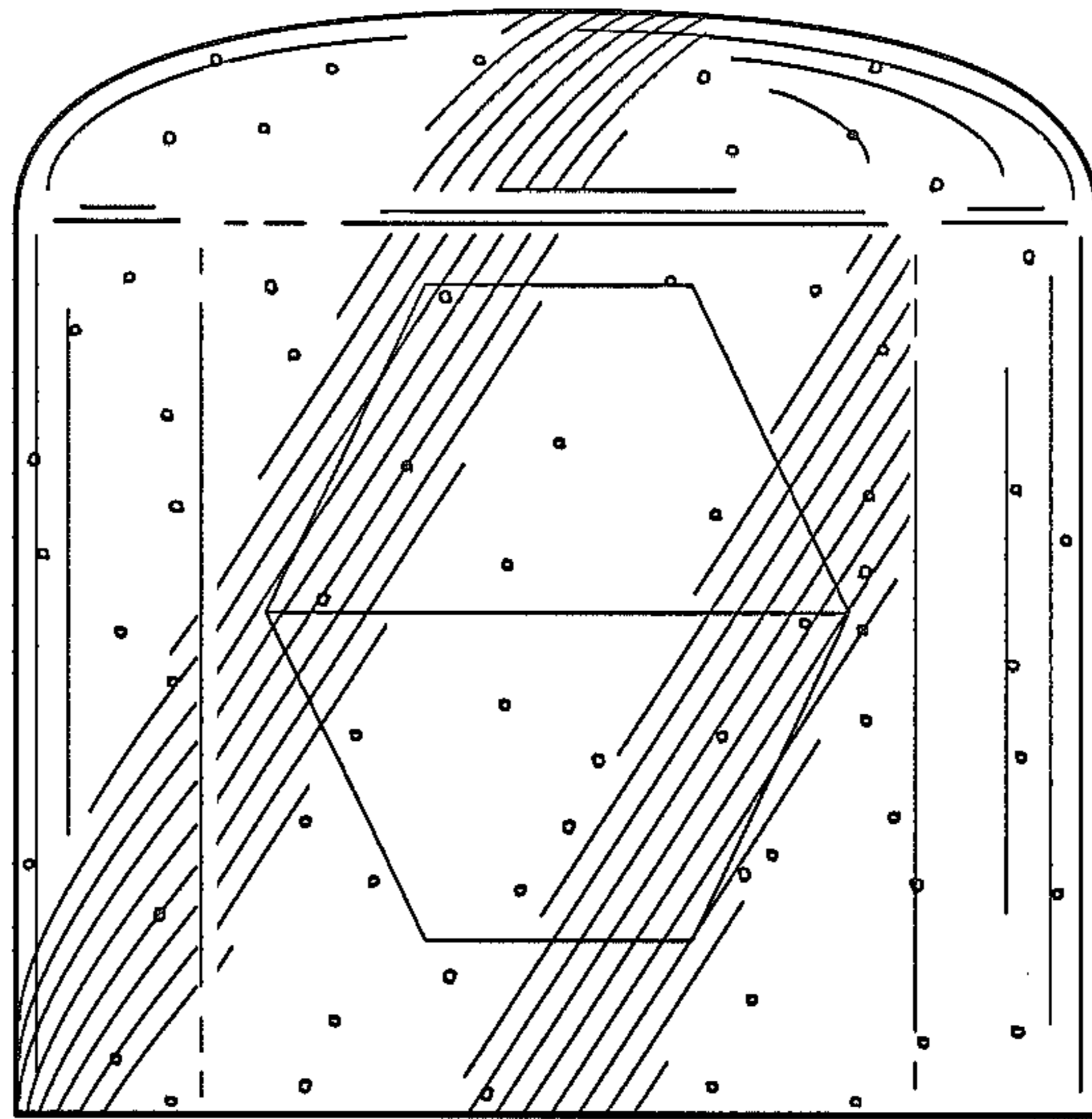


FIG. 93

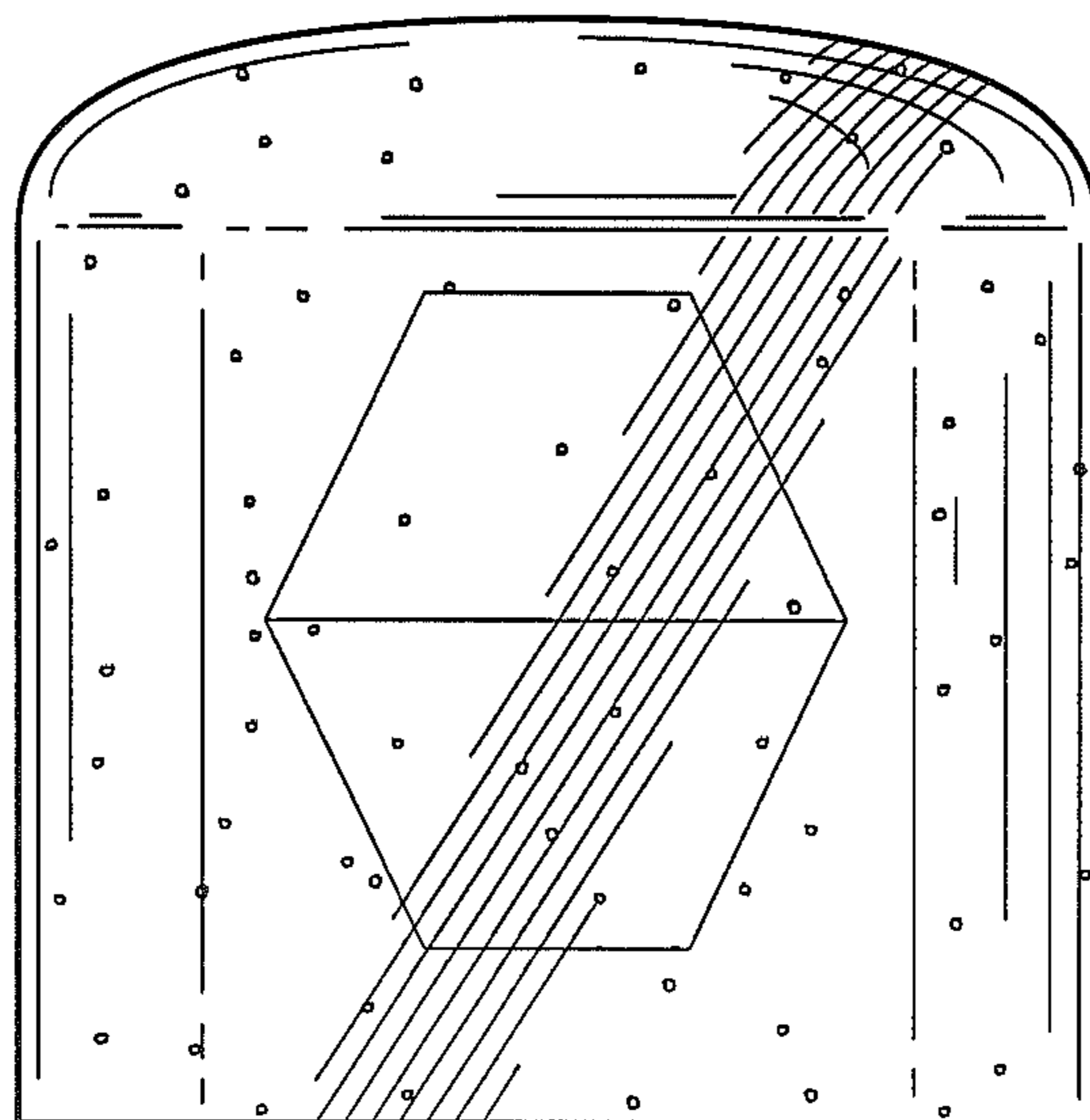


FIG. 94

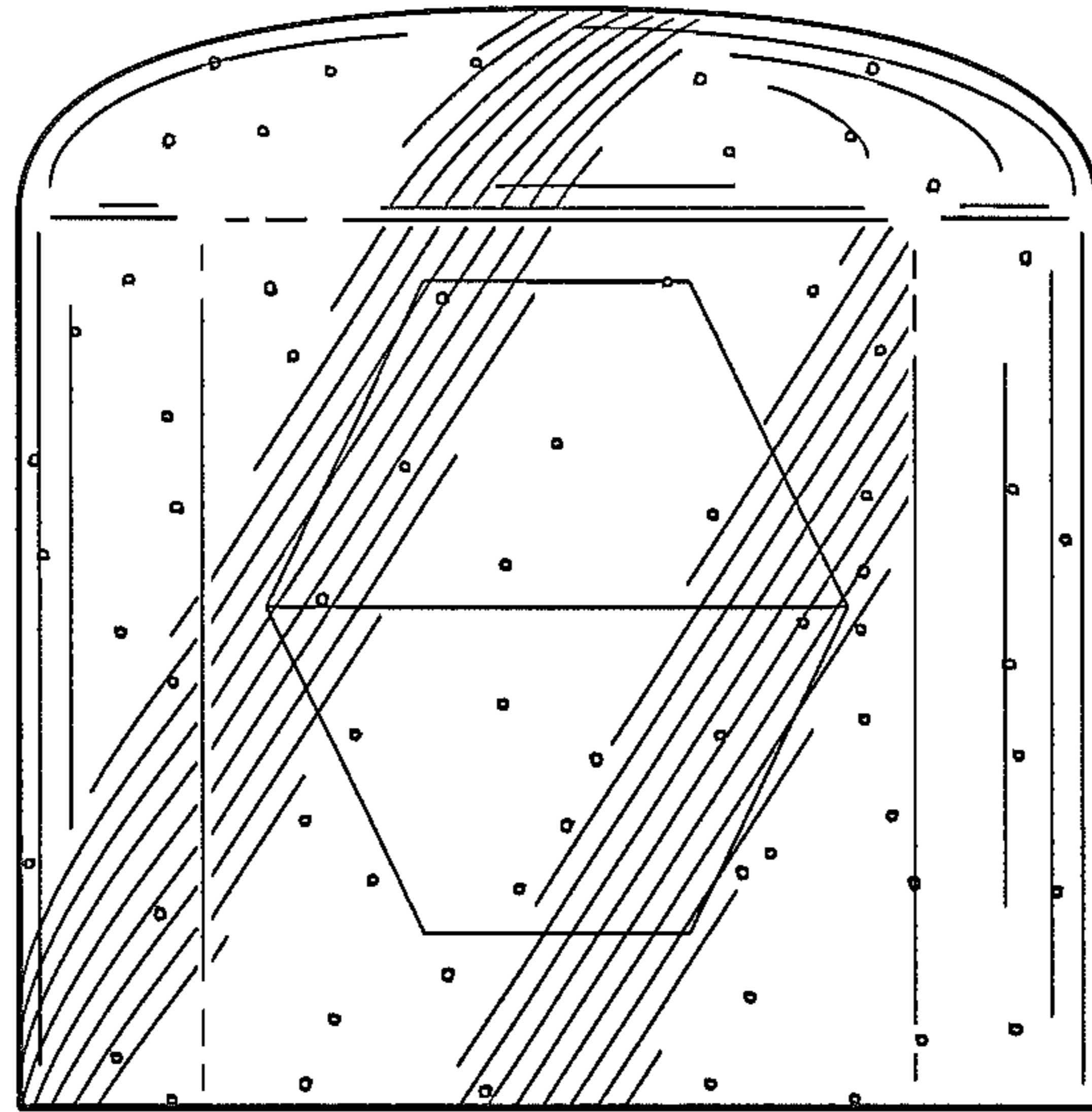


FIG. 95

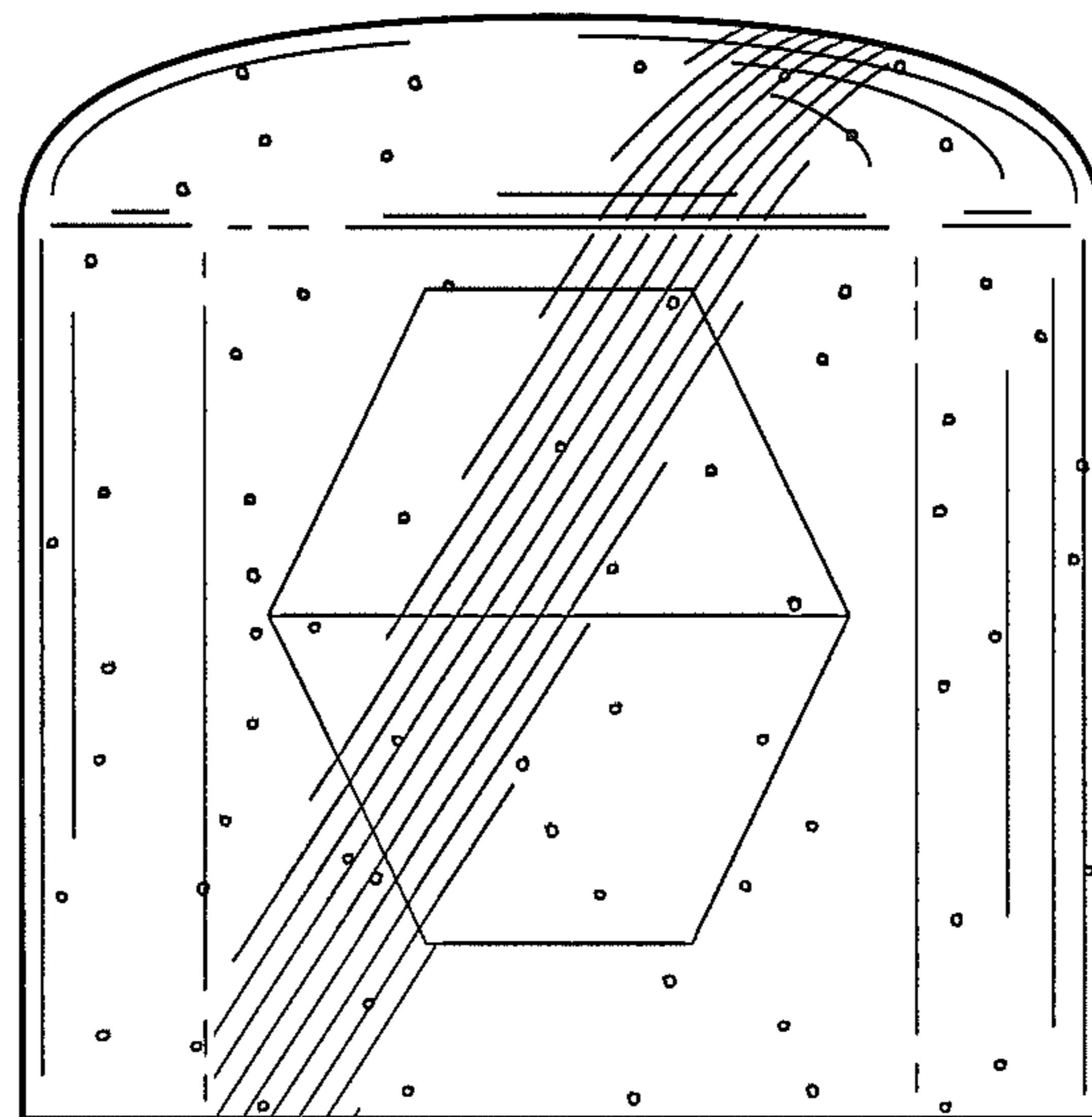


FIG. 96

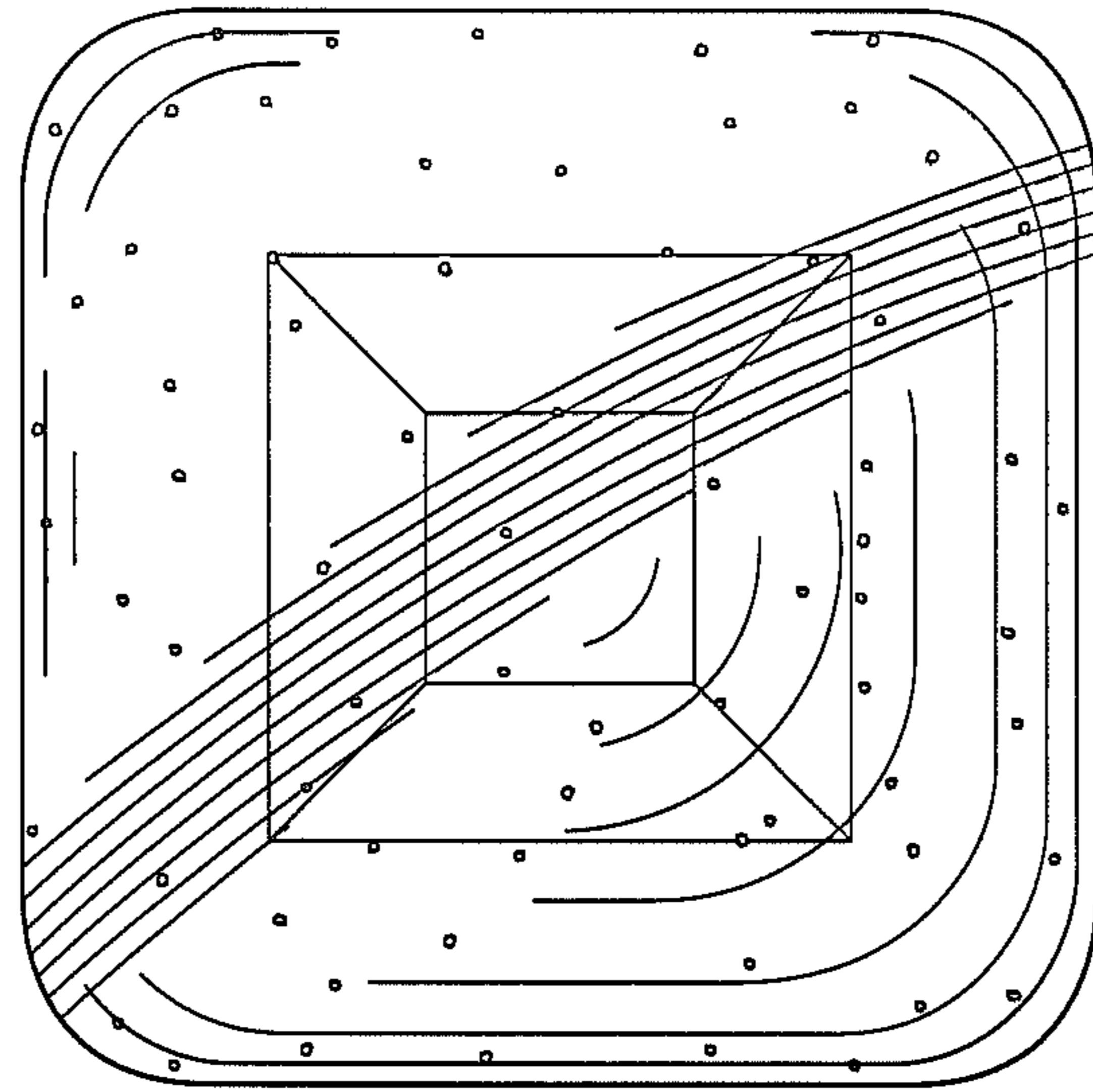


FIG. 97

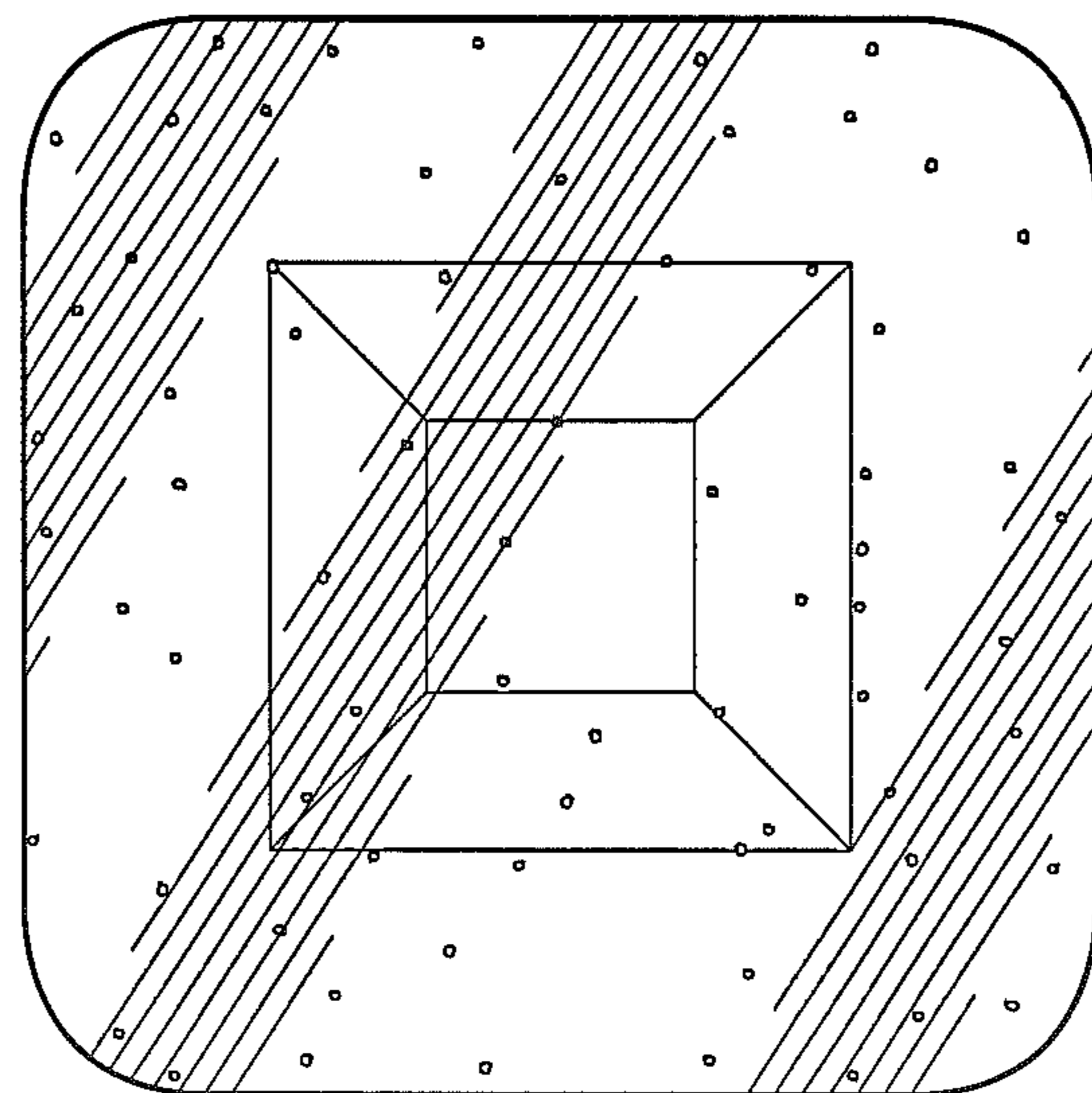


FIG. 98