

US00D723764S

(12) **United States Design Patent**
Yaschur

(10) **Patent No.:** **US D723,764 S**
(45) **Date of Patent:** **** Mar. 3, 2015**

- (54) **CORDLESS WHEEL LIFT**
- (71) Applicant: **Ingersoll-Rand Company**, Davidson, NC (US)
- (72) Inventor: **Jefferey Clifford Yaschur**, Doylestown, PA (US)
- (73) Assignee: **Ingersoll-Rand Company**, Davidson, NC (US)
- (**) Term: **14 Years**
- (21) Appl. No.: **29/480,815**
- (22) Filed: **Jan. 29, 2014**
- (51) **LOC (10) Cl.** **12-05**
- (52) **U.S. Cl.**
USPC **D34/28**
- (58) **Field of Classification Search**
CPC B66F 5/04; B66F 15/00; B66F 11/048;
B66F 19/005; B62B 3/0625; B66C 23/48
USPC D34/28, 33, 31; 254/131, 8 R, 120;
414/426, 427, 433, 428, 430; 280/400,
280/79.4; D8/31, 14, 88, 89
See application file for complete search history.

D596,823 S * 7/2009 Thurm D34/28
D640,440 S * 6/2011 Thurm D34/28
7,980,804 B2 7/2011 Snook et al.

(Continued)

FOREIGN PATENT DOCUMENTS

GB 2187435 A 9/1987
GB 2274269 A 7/1994

(Continued)

OTHER PUBLICATIONS

Purdue University, "Compac 90538 Wheel Dolly," Sep. 13, 2012, 3 pages.

(Continued)

Primary Examiner — Cynthia Ramirez

(74) *Attorney, Agent, or Firm* — Barnes & Thornburg LLP

(57) **CLAIM**

The ornamental design for a cordless wheel lift, as shown and described.

DESCRIPTION

FIG. 1 is a front perspective view of a design of a cordless wheel lift;
FIG. 2 is a front elevation view of the cordless wheel lift of FIG. 1;
FIG. 3 is a rear elevation view of the cordless wheel lift of FIG. 1;
FIG. 4 is a first side elevation view of the cordless wheel lift of FIG. 1;
FIG. 5 is a second side elevation view of the cordless wheel lift of FIG. 1;
FIG. 6 is a top plan view of the cordless wheel lift of FIG. 1;
and,
FIG. 7 is a bottom plan view of the cordless wheel lift of FIG. 1.

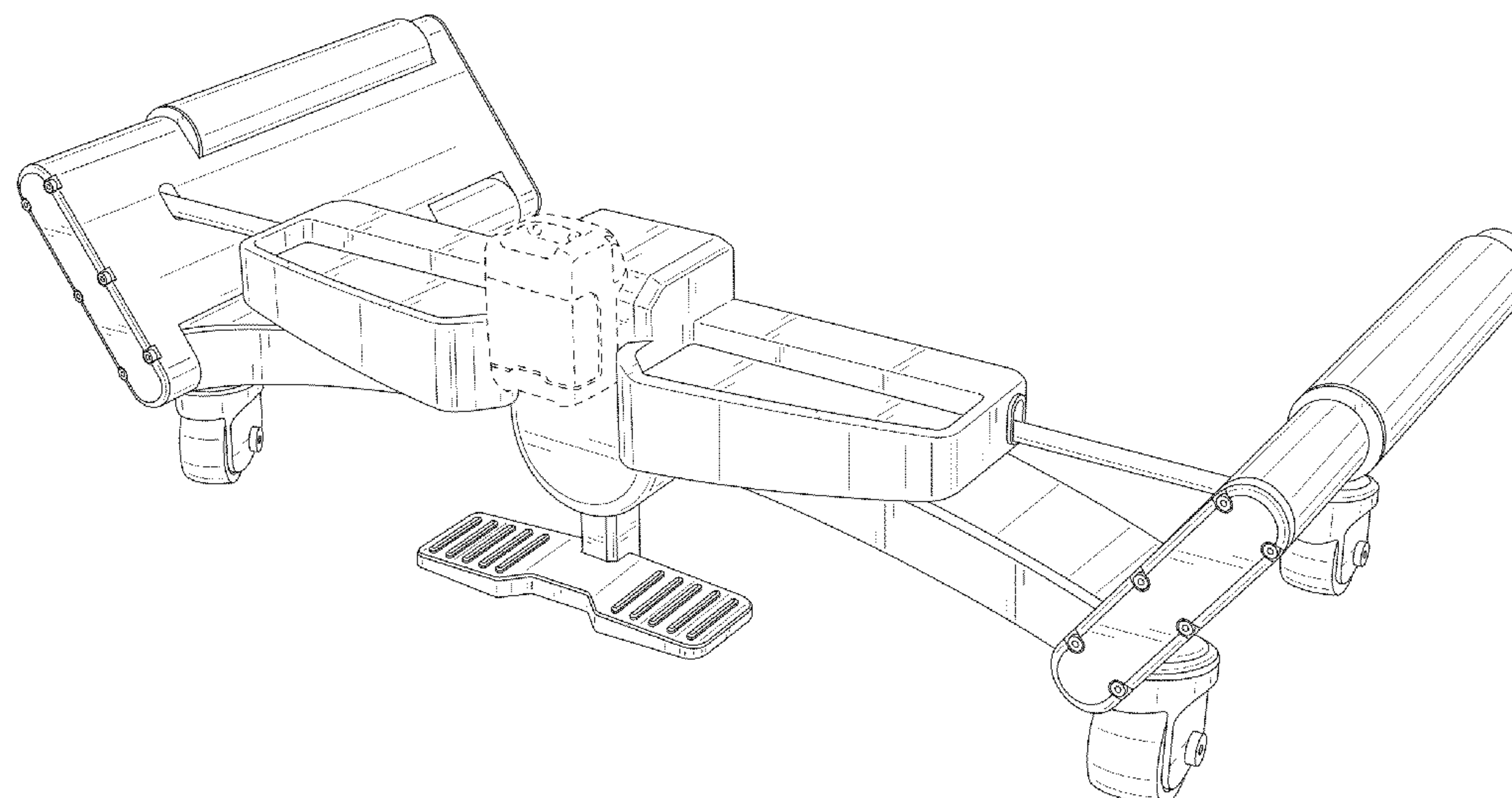
The broken lines shown in the figures depict environmental subject matter and form no part of the claimed design.

1 Claim, 7 Drawing Sheets

(56) **References Cited**

U.S. PATENT DOCUMENTS

2,490,233	A	12/1949	Schildmeier	
4,872,694	A *	10/1989	Griesinger	280/79.4
D319,131	S *	8/1991	Smeitink	D34/23
D344,835	S *	3/1994	MacEachern	D34/31
5,694,864	A	12/1997	Langewellpott	
D468,512	S *	1/2003	Hernandez	D34/28
D488,905	S *	4/2004	DiStaulo	D34/28
6,863,488	B2	3/2005	Chopra	
D532,575	S *	11/2006	Oberg	D34/28
7,137,615	B2 *	11/2006	Ray et al.	254/10 B
D589,224	S *	3/2009	Kilpatrick	D34/28



(56)

References Cited

OTHER PUBLICATIONS

U.S. PATENT DOCUMENTS

D703,906 S * 4/2014 Gann et al. D34/28
D712,111 S * 8/2014 Chernyshou D34/28
2006/0181057 A1 8/2006 Kollarits et al.
2010/0092270 A1 4/2010 Adams
2010/0207085 A1* 8/2010 Thurm 254/2 C
2013/0134685 A1 5/2013 John
2013/0276306 A1 10/2013 Calvi

FOREIGN PATENT DOCUMENTS

WO 2009056168 A1 5/2009
WO 2011132168 A1 10/2011

Northern Tool + Equipment, "Torin Wheel Dolly— Heavy-Duty, 2400-Lb. Capacity, Model# TX12001," available at http://www.northerntool.com/shop/tools/product_200381630_200381630, 1 page.
Northern Tool + Equipment, "TSI Clever Lever@ Tire Caddie— for 36-48in. Dia. Tires, Model# HD26," available at http://www.northerntool.com/shop/tools/product_200327731_200327731, 1 page.
TSISSG, "TW2000 Twee! Handler," 2013, 1 page.
T & L Industries Co., "Red Viper Heavy Duty Jack Dolly," available at <http://red-viper.com/products/>, 2013, 4 pages.
TSISSG, "Tire Carts & Dollies," 2013, 1 page.

* cited by examiner

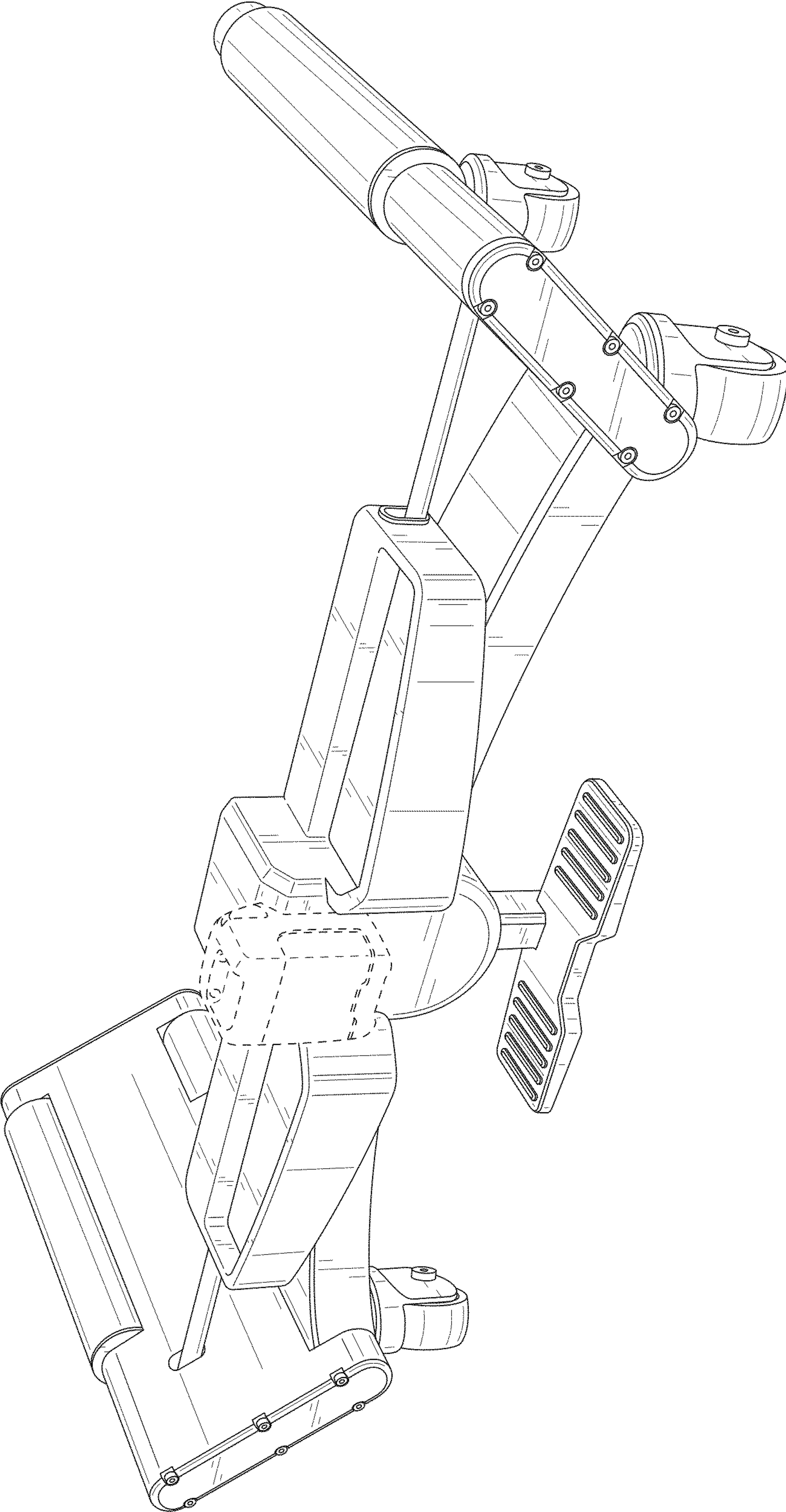


FIG. 1

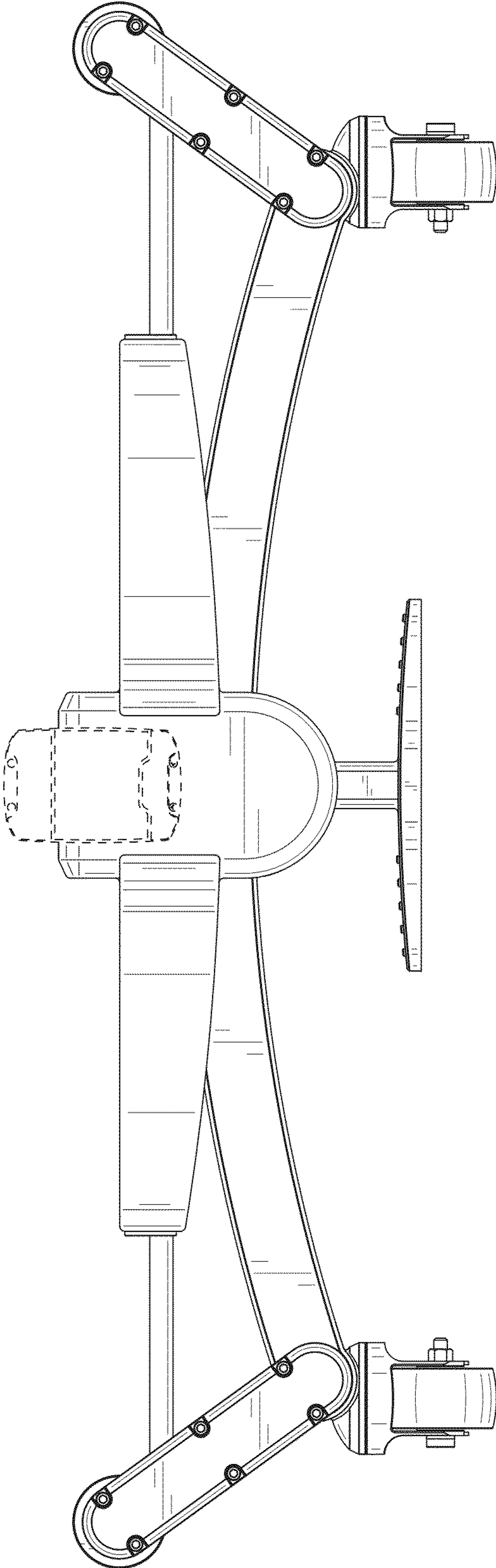


FIG. 2

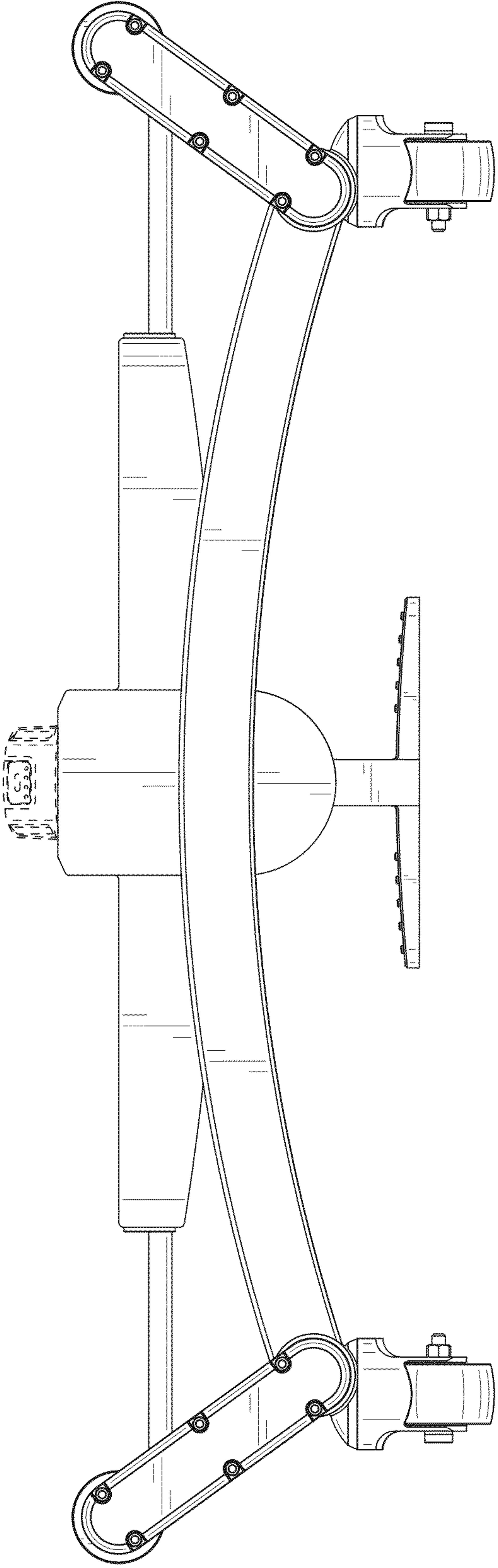


FIG. 3

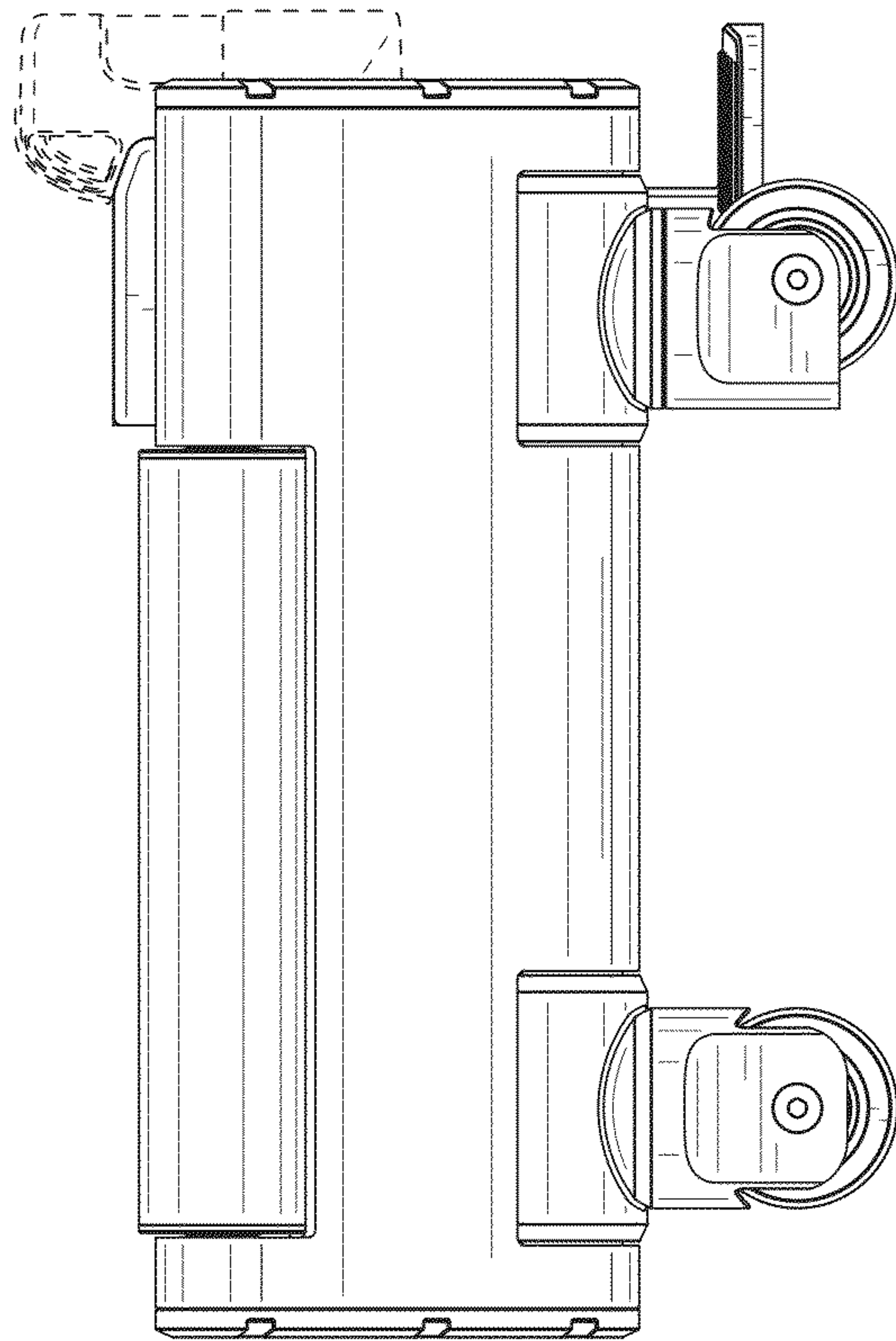


FIG. 4

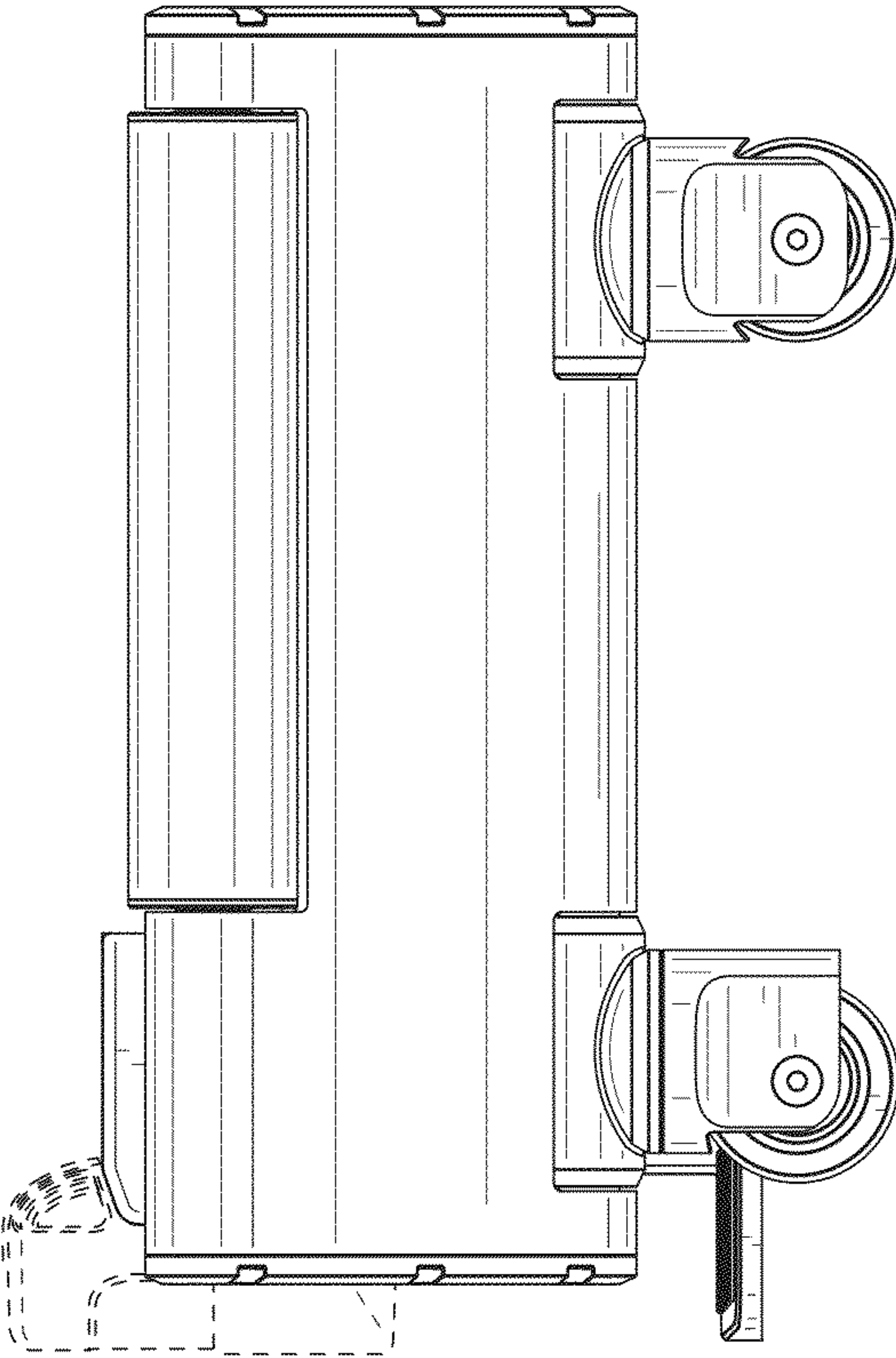


FIG. 5

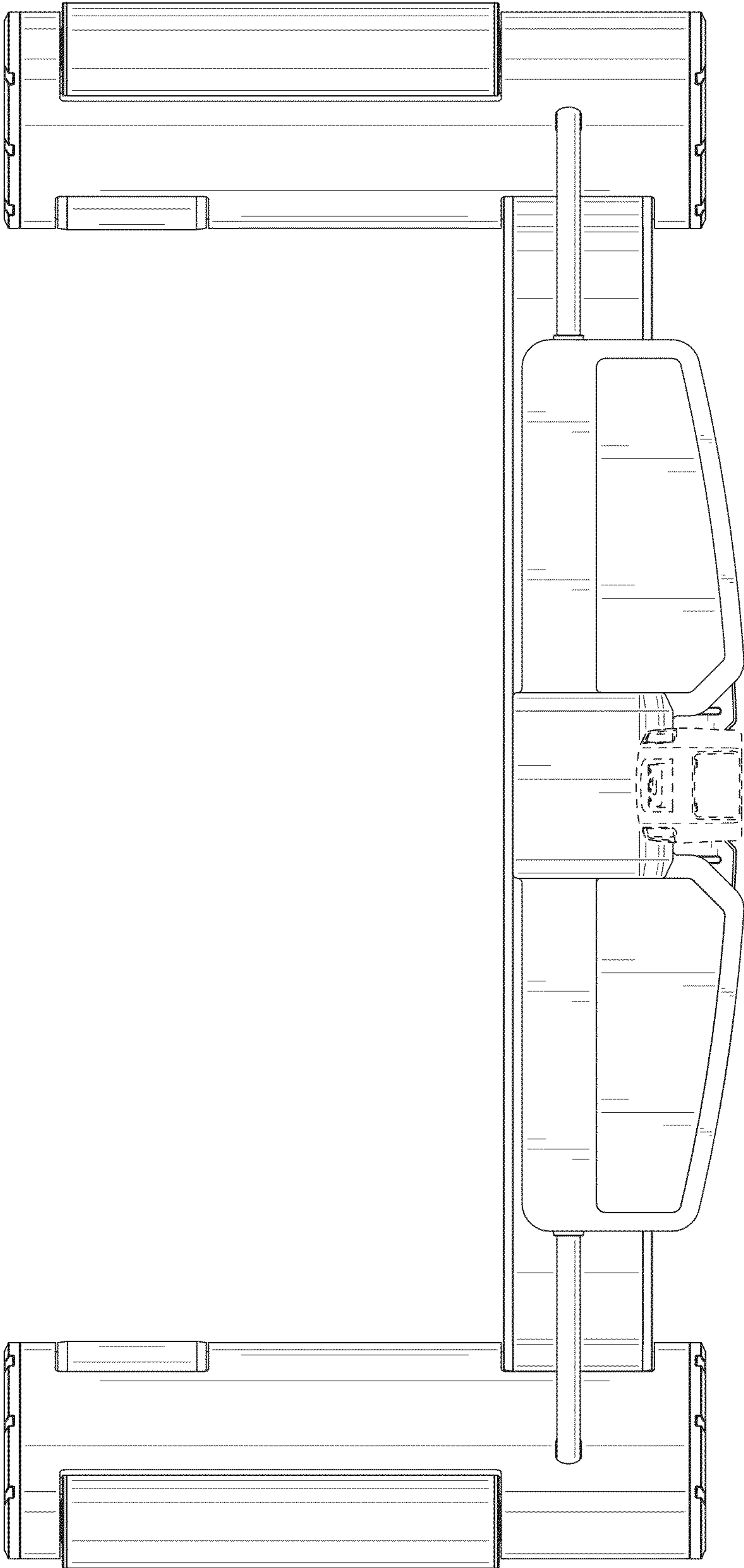


FIG. 6

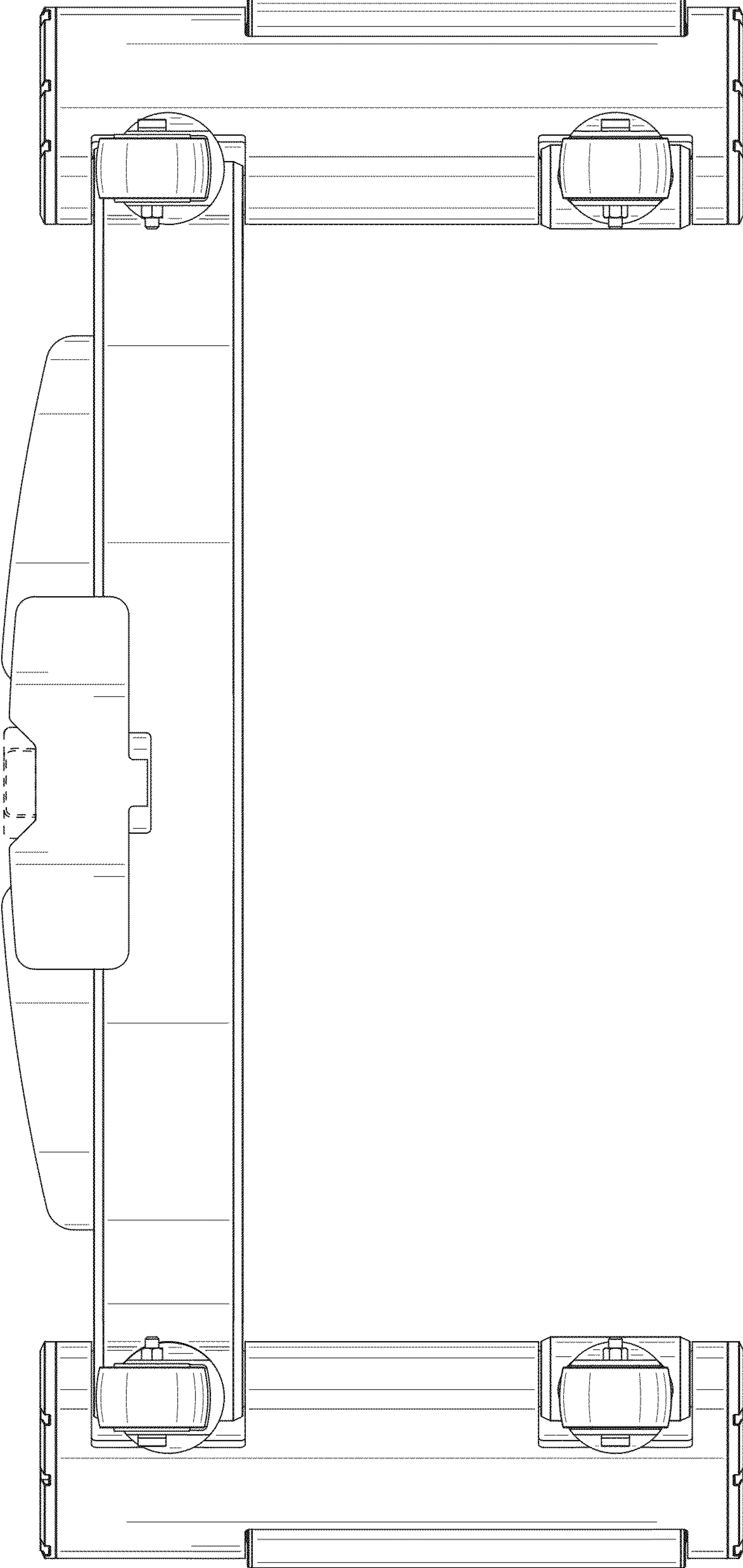


FIG. 7