



US00D723763S

(12) **United States Design Patent**
Grif

(10) **Patent No.:** **US D723,763 S**
(45) **Date of Patent:** **** Mar. 3, 2015**

(54) **FOLDABLE CART**

(71) Applicant: **Iris Grif**, Woodmere, NY (US)

(72) Inventor: **Iris Grif**, Woodmere, NY (US)

(**) Term: **14 Years**

(21) Appl. No.: **29/477,548**

(22) Filed: **Dec. 23, 2013**

(51) **LOC (10) Cl.** **12-02**

(52) **U.S. Cl.**
USPC **D34/19**

(58) **Field of Classification Search**

CPC B62B 1/12; B62B 1/208; B62B 1/14;
B62B 2202/26; B62B 2202/404; B62B 3/02;
B62B 3/022; B62B 5/0083; B62B 2202/24
USPC D34/12-27; 280/652, 639, 47.131,
280/47.26, DIG. 3

See application file for complete search history.

(56) **References Cited**

U.S. PATENT DOCUMENTS

1,769,418	A *	7/1930	Cooper et al.	280/645
3,992,038	A *	11/1976	Guadano, Sr.	280/659
D250,326	S *	11/1978	Blatzer et al.	D34/26
D334,640	S *	4/1993	Forish	D34/24
5,265,892	A *	11/1993	Said	280/30
5,785,334	A *	7/1998	Robinson	280/204
5,938,230	A	8/1999	Huang et al.	
6,152,476	A	11/2000	Huang	
D444,927	S *	7/2001	Lin	D32/37
6,378,883	B1	4/2002	Epstein	
6,598,898	B2 *	7/2003	Chu	280/652

7,066,484	B2	6/2006	Willis et al.	
D572,632	S	7/2008	Willis	
7,481,445	B1	1/2009	Danziger	
7,527,284	B2	5/2009	Nores	
7,862,069	B2	1/2011	King	
D635,732	S *	4/2011	Stopp	D34/12
8,388,015	B2	3/2013	Chen	
8,439,374	B1 *	5/2013	Elden	280/47.26
8,511,406	B2 *	8/2013	Anasiewicz	180/19.1
8,596,389	B2 *	12/2013	Anasiewicz	180/19.1
8,646,785	B2 *	2/2014	Udall et al.	280/47.26
D702,909	S *	4/2014	Stopp	D34/12
2002/0084629	A1 *	7/2002	Levy et al.	280/651
2006/0049614	A1 *	3/2006	Shamah	280/652
2008/0061524	A1 *	3/2008	Goldszer	280/47.34
2012/0013090	A1	1/2012	Musi	
2012/0160576	A1 *	6/2012	Anasiewicz	180/19.1

* cited by examiner

Primary Examiner — Cynthia Ramirez

(74) *Attorney, Agent, or Firm* — Scully, Scott, Murphy & Presser, P.C.

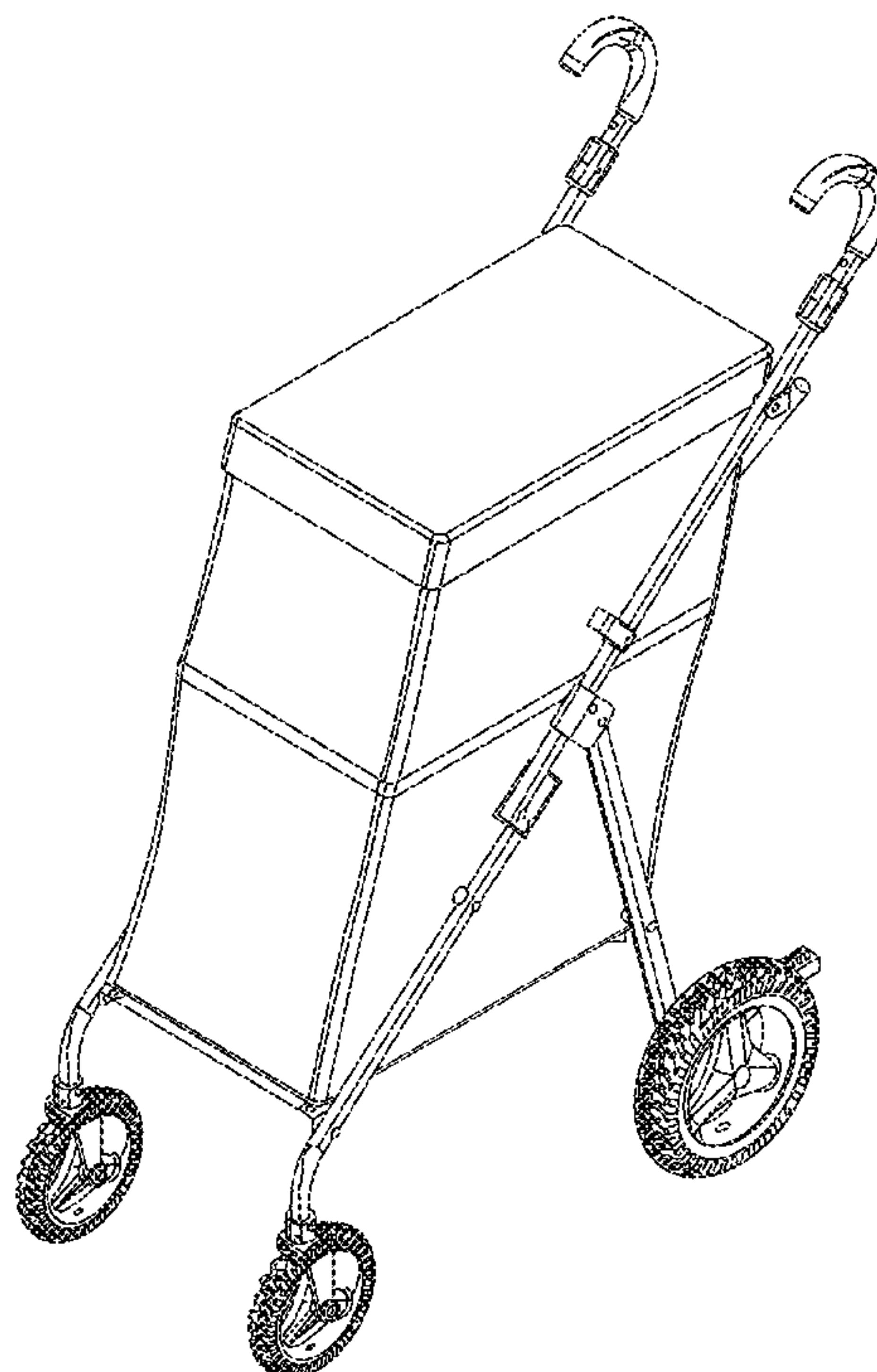
(57) **CLAIM**

The ornamental design for a foldable cart, as shown.

DESCRIPTION

FIG. 1 is a perspective view of a foldable cart showing my new design;
FIG. 2 is a front elevation view thereof;
FIG. 3 is a rear elevation view thereof;
FIG. 4 is a side view thereof;
FIG. 5 is an opposite side view thereof;
FIG. 6 is a top view thereof; and,
FIG. 7 is a bottom view thereof.

1 Claim, 7 Drawing Sheets



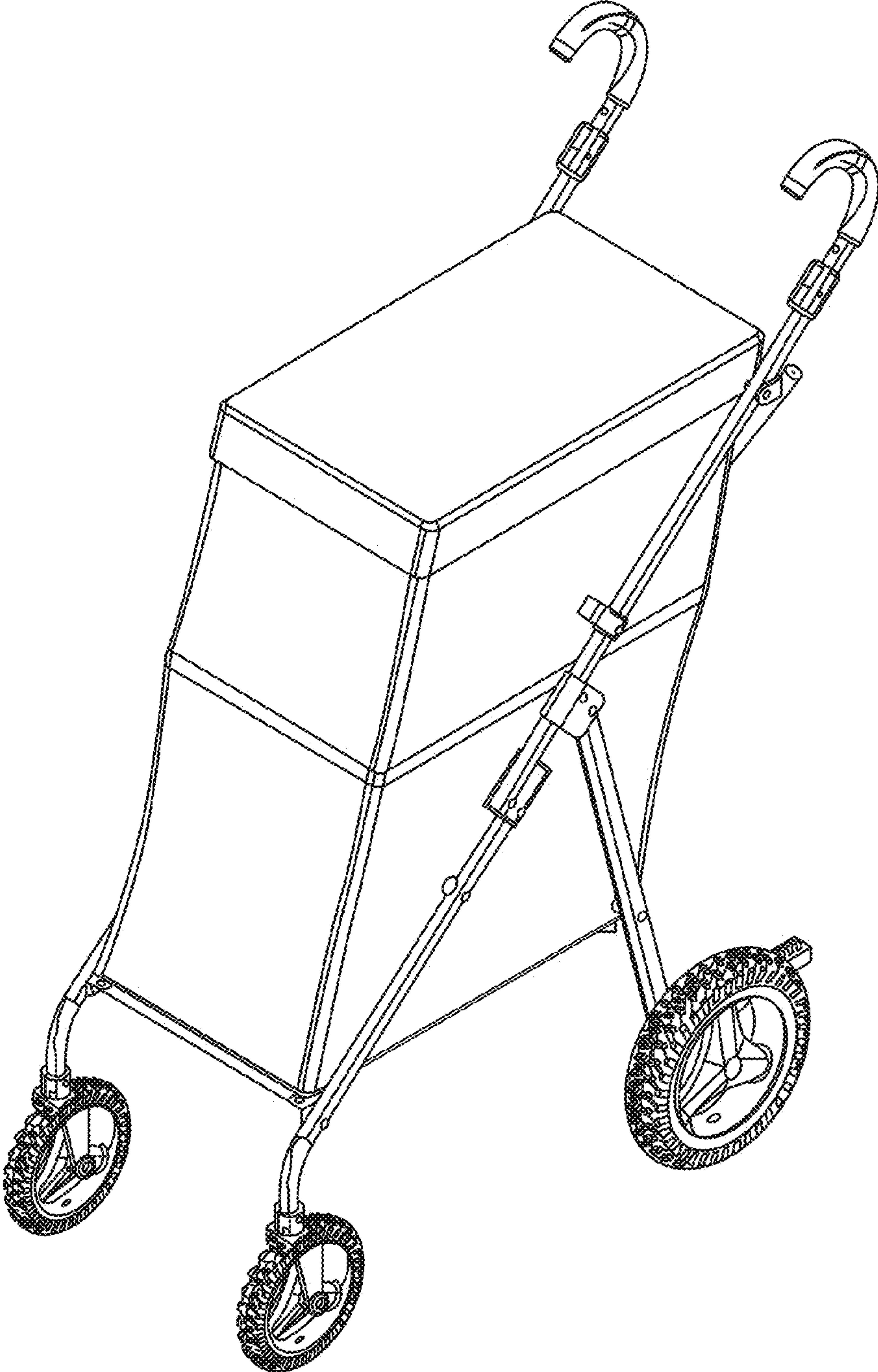


FIG. 1

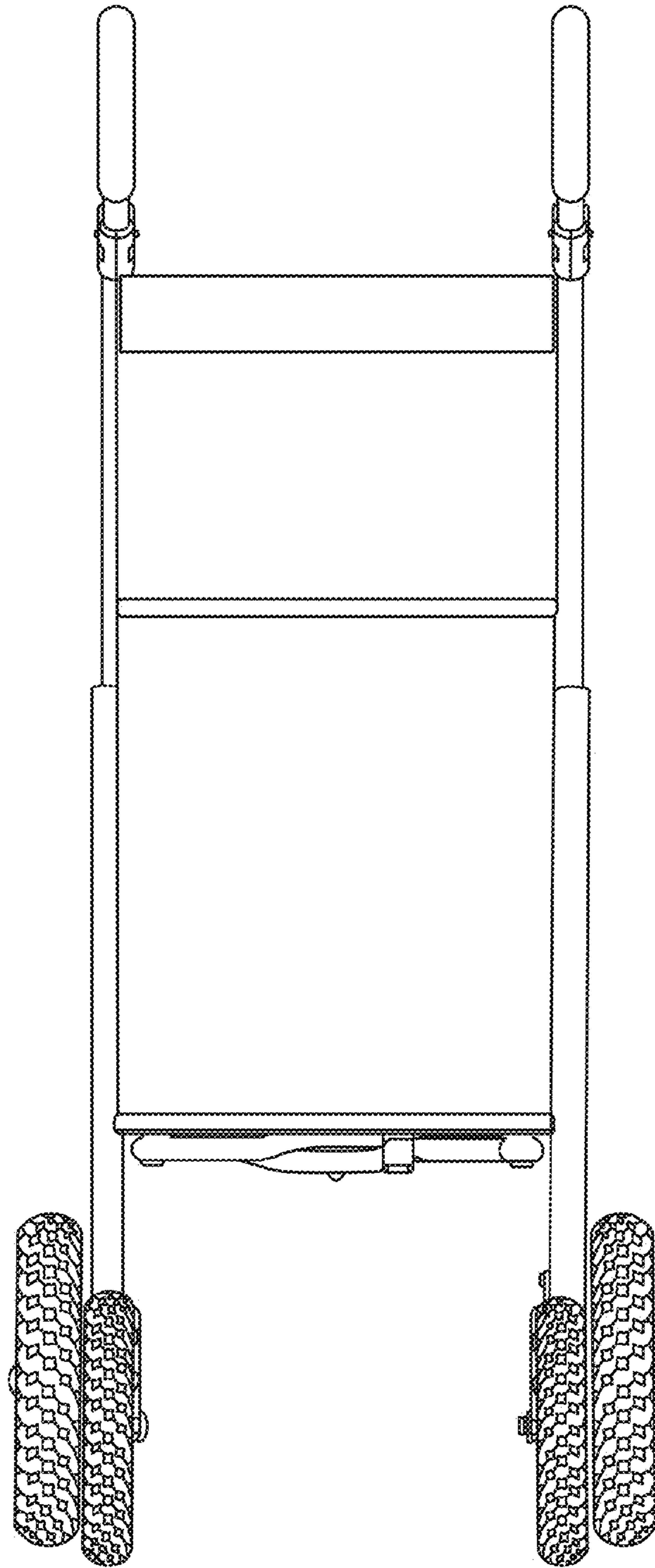


FIG. 2

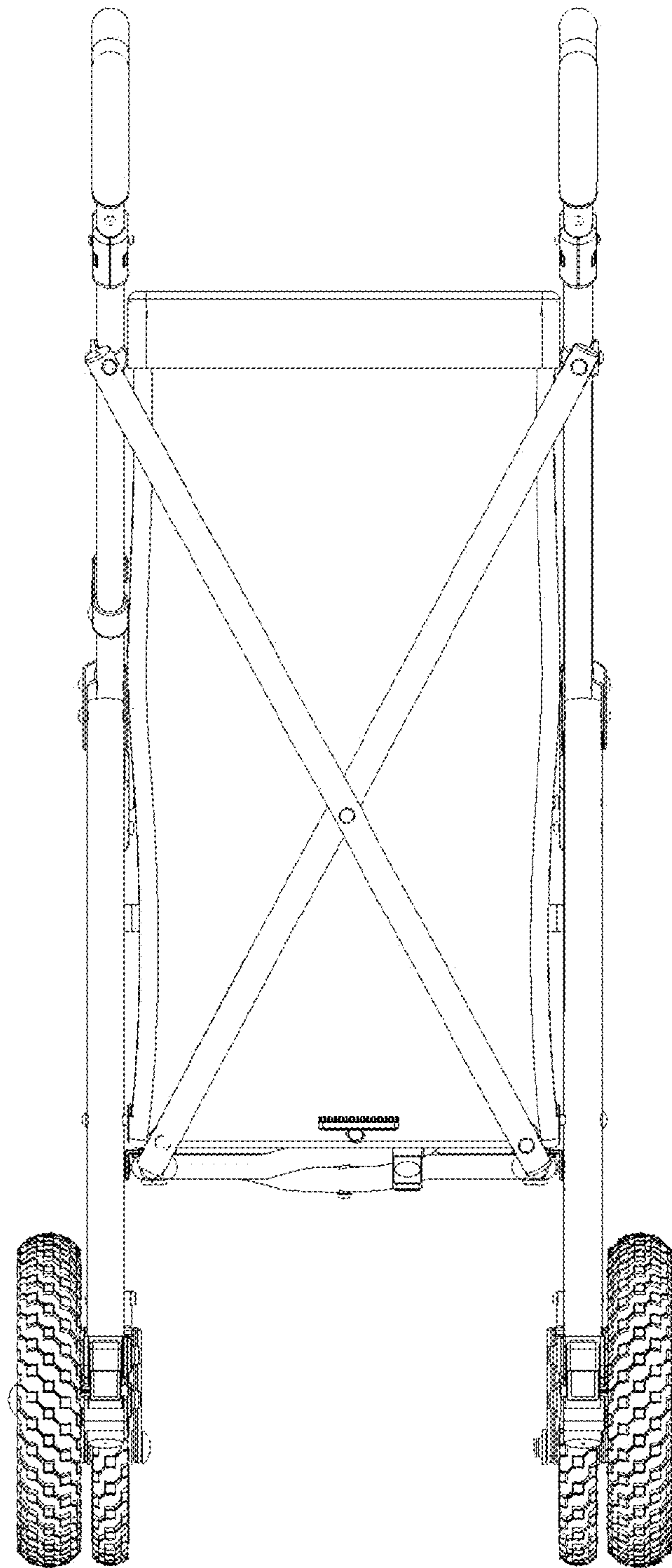


FIG. 3

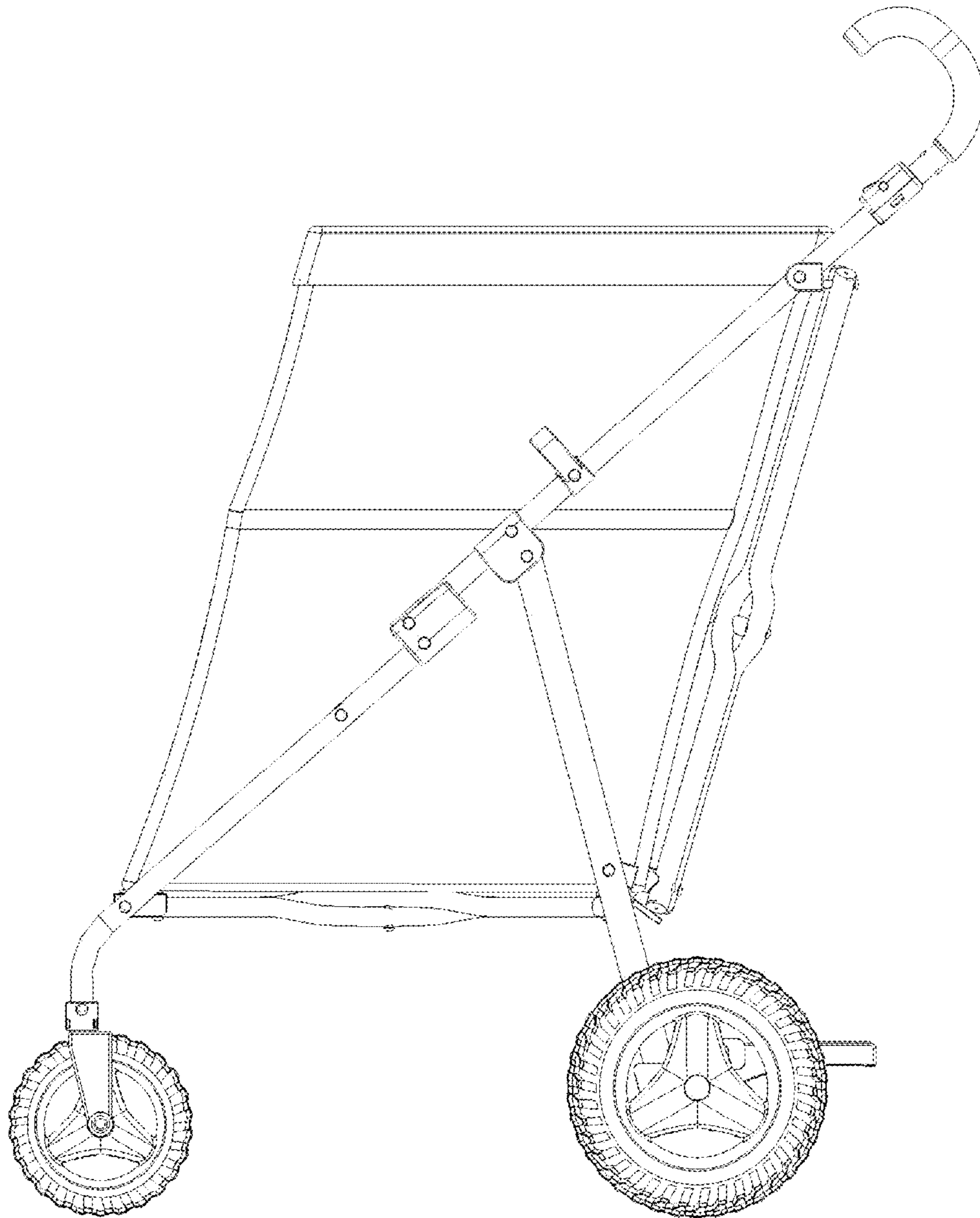


FIG. 4

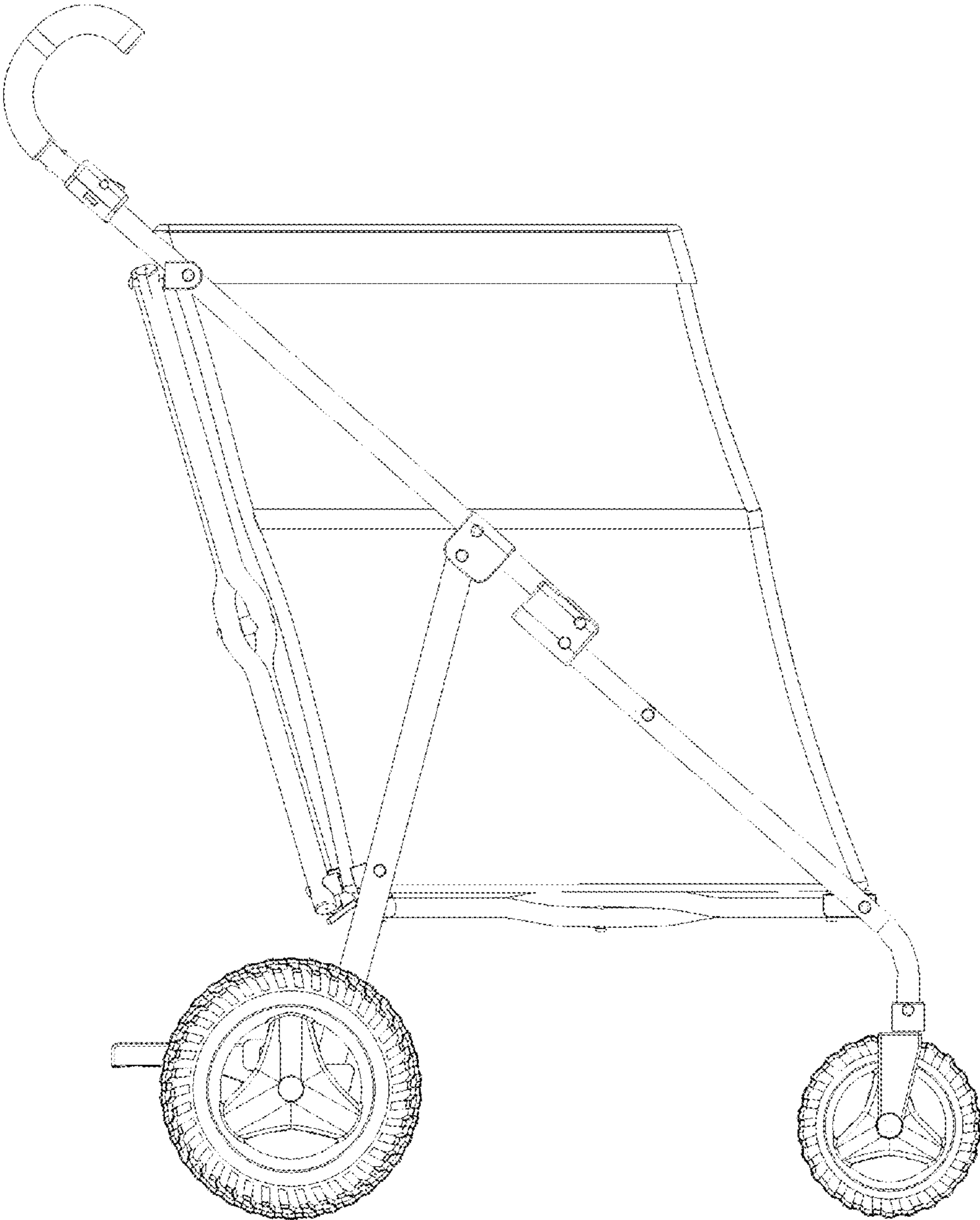


FIG. 5

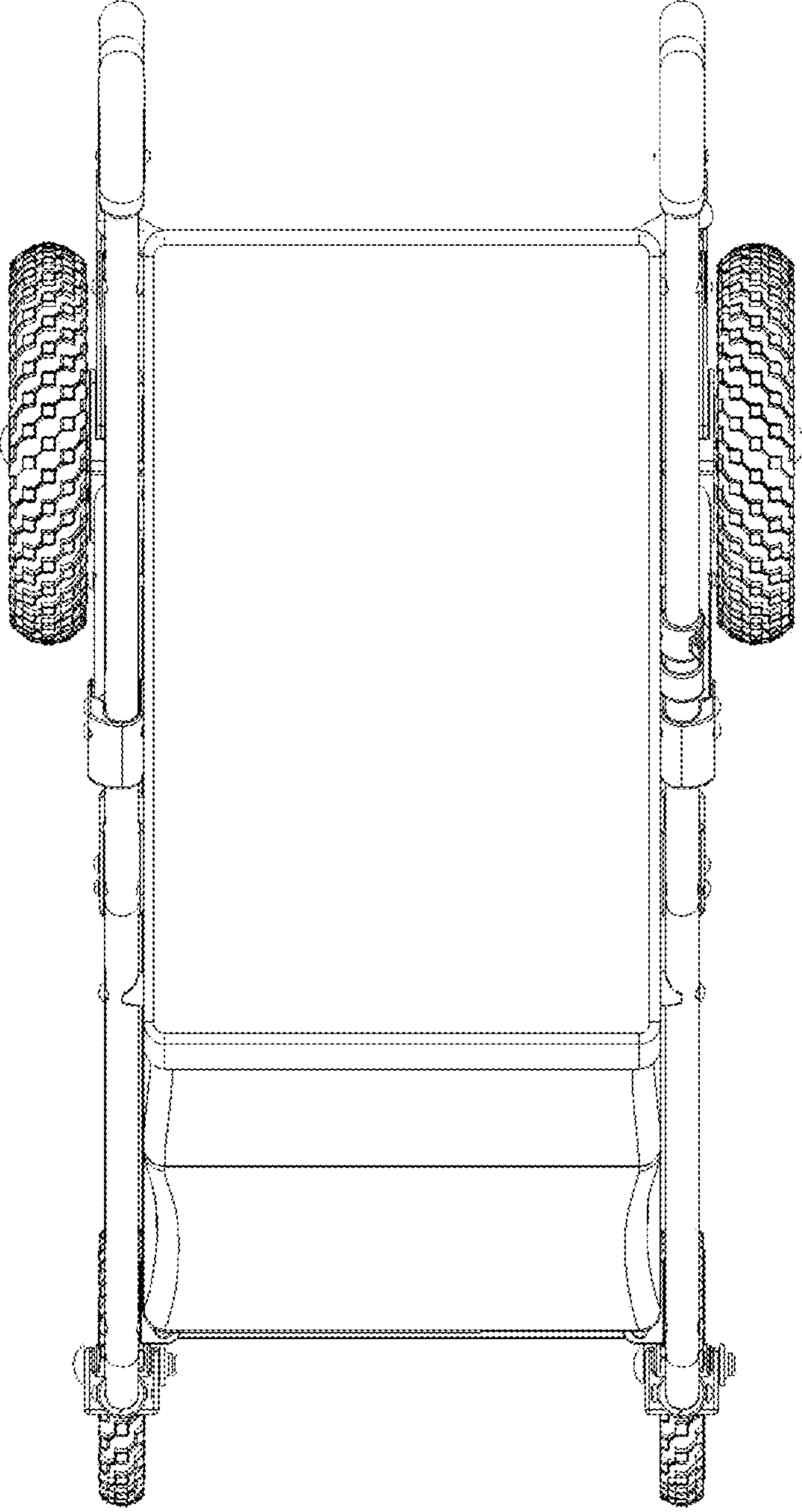


FIG. 6

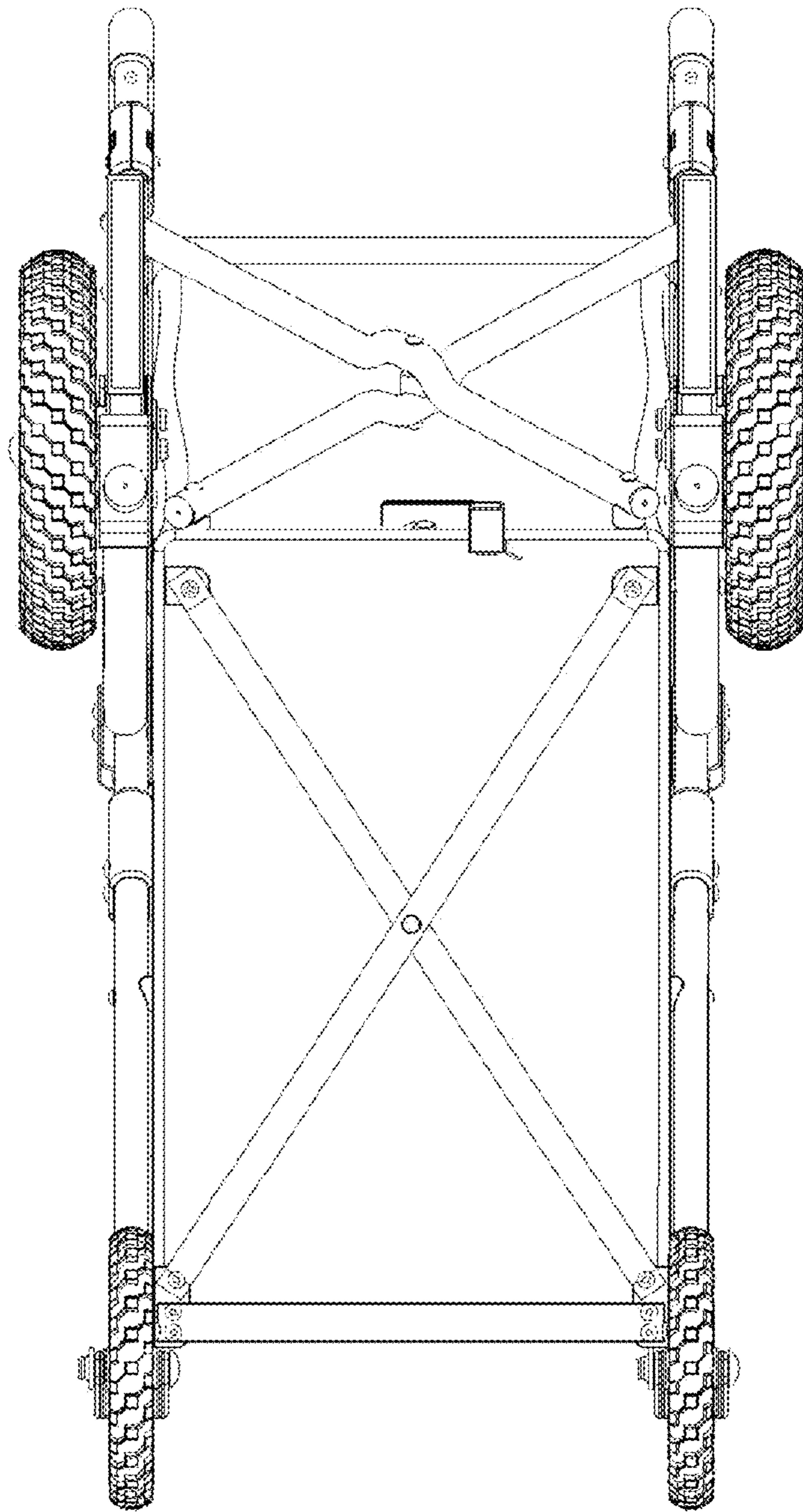


FIG. 7