



US00D723762S

(12) **United States Design Patent**
Treadwell

(10) **Patent No.:** **US D723,762 S**

(45) **Date of Patent:** **** Mar. 3, 2015**

- (54) **FOLDING TRAVEL WAGON**
- (71) Applicant: **Active Products Inc.**, North York (CA)
- (72) Inventor: **Simon Treadwell**, Toronto (CA)
- (73) Assignee: **Active Products Inc.**, North York, CA (US)
- (**) Term: **14 Years**
- (21) Appl. No.: **29/486,682**
- (22) Filed: **Apr. 1, 2014**
- (51) **LOC (10) Cl.** **12-02**
- (52) **U.S. Cl.**
USPC **D34/17**
- (58) **Field of Classification Search**
CPC B62B 3/02; B62B 7/12; B62B 1/12;
B62B 2202/52; B60N 2/286
USPC D34/12-27; 280/30, 47.34, 651, 47.19,
280/47.26, 47.37, 35, 37, 40, 655, 47.35,
280/47.11, 47.18
See application file for complete search history.

- 6,733,026 B1 5/2004 Robberson
- 6,845,991 B1 1/2005 Ritucci
- 6,871,861 B2 3/2005 Hernandez
- 6,893,030 B2* 5/2005 Shapiro 280/47.34

(Continued)

OTHER PUBLICATIONS

Mighty Hauler Folding Wagon, retrieved Apr. 1, 2014, online:
<<mightyhaulercart.com>>.

(Continued)

Primary Examiner — Cynthia Ramirez

(74) *Attorney, Agent, or Firm* — Anil Bhole; Bhole IP Law

(57) **CLAIM**

The ornamental design for a folding travel wagon, as shown and described.

DESCRIPTION

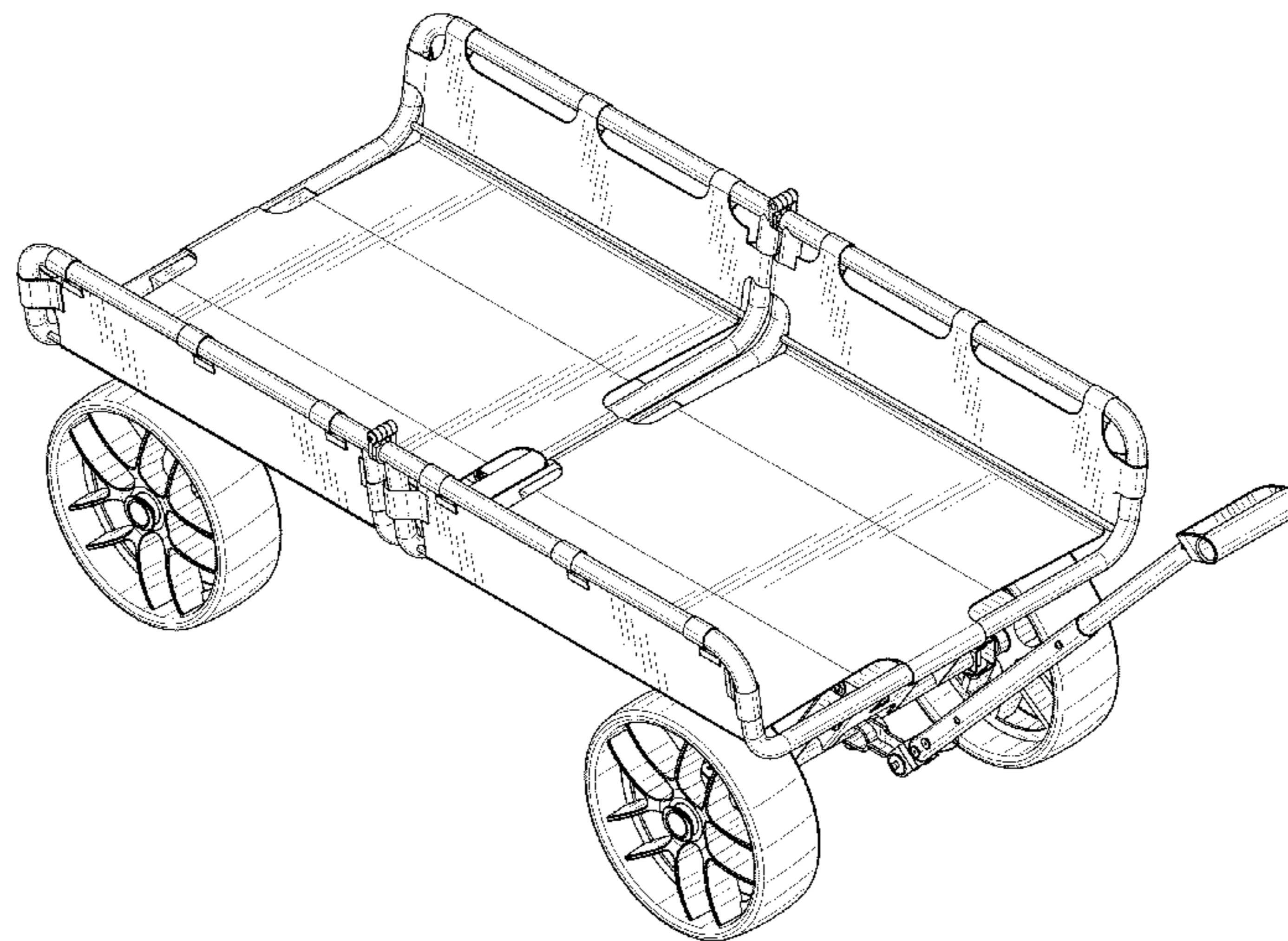
FIG. 1 is a front left perspective view of a folding travel wagon in an extended position;
 FIG. 2 is a left side view of the folding travel wagon in the extended position;
 FIG. 3 is a top view of the folding travel wagon in the extended position;
 FIG. 4 is a front view of the folding travel wagon in the extended position;
 FIG. 5 is a bottom view of the folding travel wagon in the extended position;
 FIG. 6 is an exploded bottom perspective view of the folding travel wagon in the extended position, with wheels and a handle removed therefrom;
 FIG. 7 is a left perspective view of the folding travel wagon in a folding position, with the wheels and the handle removed therefrom; and,
 FIG. 8 is a side perspective view of the folding wagon in a folded position, with the wheels and the handle contained therein.

1 Claim, 8 Drawing Sheets

(56) **References Cited**

U.S. PATENT DOCUMENTS

2,563,995	A *	8/1951	East	280/639
4,239,258	A	12/1980	Burris	
4,266,791	A *	5/1981	Myers	280/37
4,580,799	A	4/1986	Quinonez	
4,765,644	A *	8/1988	Bell	280/641
4,796,909	A *	1/1989	Kirkendall	280/651
4,856,810	A *	8/1989	Smith	280/639
4,889,352	A	12/1989	Chamberlin, Jr.	
4,957,306	A	9/1990	Greenberg	
5,318,312	A	6/1994	Montemayor	
5,524,915	A	6/1996	Liu	
5,570,898	A	11/1996	Albert	
5,611,552	A	3/1997	Miles	
5,730,449	A	3/1998	Miles	
5,957,482	A	9/1999	Shorter	
6,491,318	B1 *	12/2002	Galt et al.	280/651



(56)

References Cited

U.S. PATENT DOCUMENTS

6,966,564 B2 11/2005 Hernandez, Jr.
7,441,783 B2* 10/2008 Clark et al. 280/35
7,494,136 B2 2/2009 Alves
7,523,955 B2 4/2009 Blair
7,547,037 B2 6/2009 Poppinga
7,731,221 B2 6/2010 Bess
8,011,686 B2 9/2011 Chen
8,087,679 B1 1/2012 Salvucci, Jr.
8,091,916 B2* 1/2012 Shapiro 280/644
8,220,824 B2 7/2012 Chen
8,235,412 B2 8/2012 Norton
8,448,978 B2 5/2013 Alvarino

8,500,140 B1 8/2013 Liao
8,613,462 B2 12/2013 Bernard
8,827,282 B2* 9/2014 Schlegel et al. 280/47.34
2006/0119056 A1 6/2006 Olsen
2011/0169238 A1* 7/2011 Schlegel et al. 280/47.34
2013/0049332 A1 2/2013 Evensen
2014/0001735 A1* 1/2014 Yang et al. 280/651

OTHER PUBLICATIONS

Northern Tool and Equipment, Folding Utility Cart, retrieved Apr. 1, 2014, online: <<http://www.northerntool.com/shop/tools/product_200448973_200448973>>.

* cited by examiner

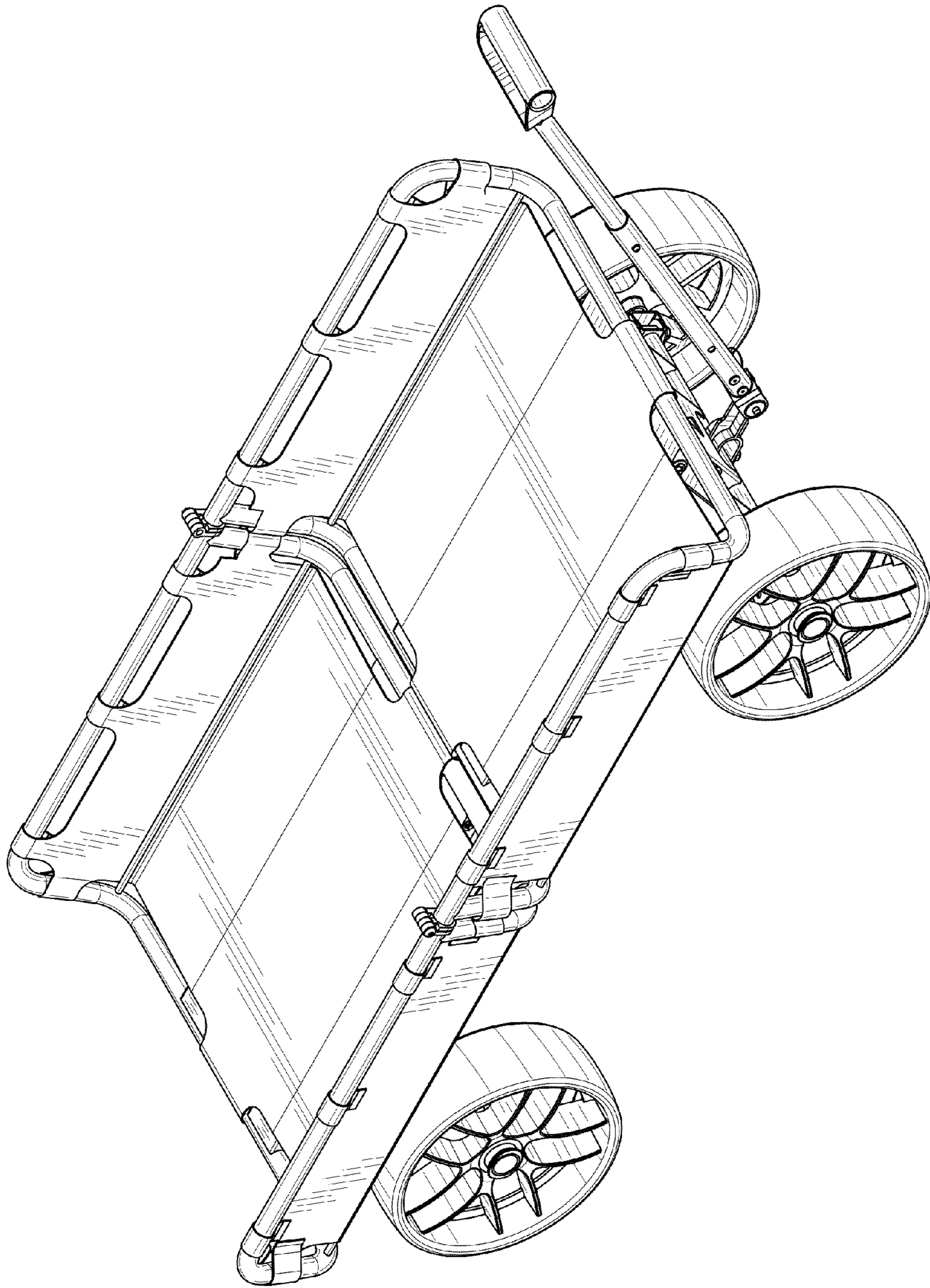


FIG. 1

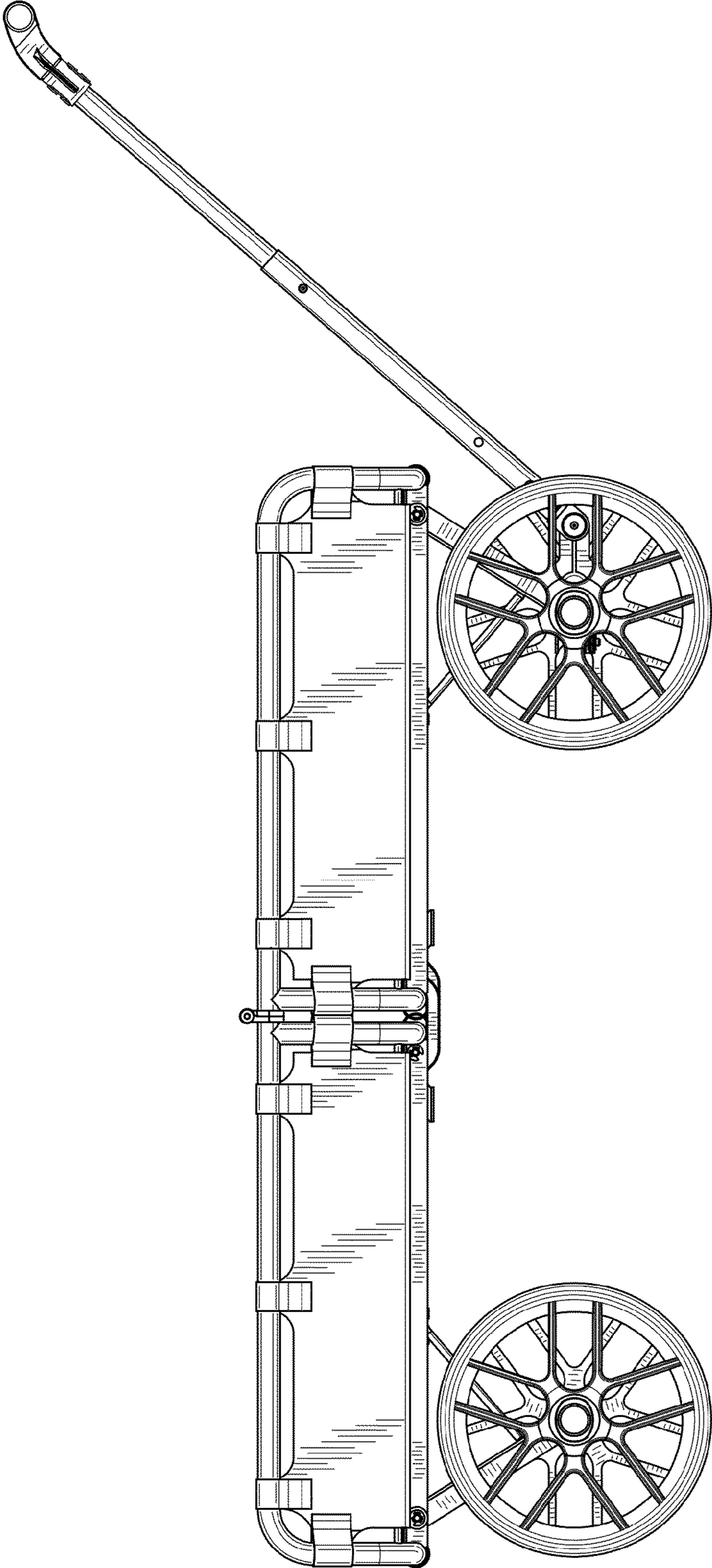


FIG. 2

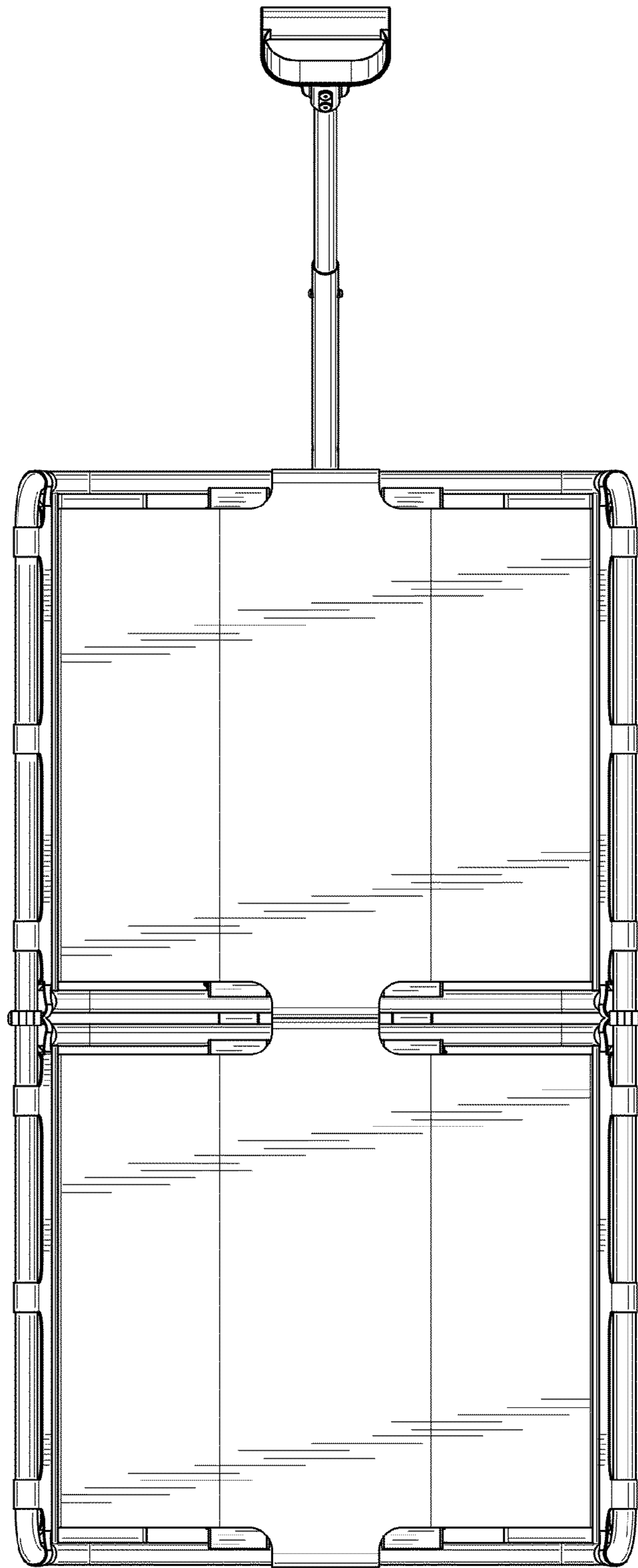


FIG. 3

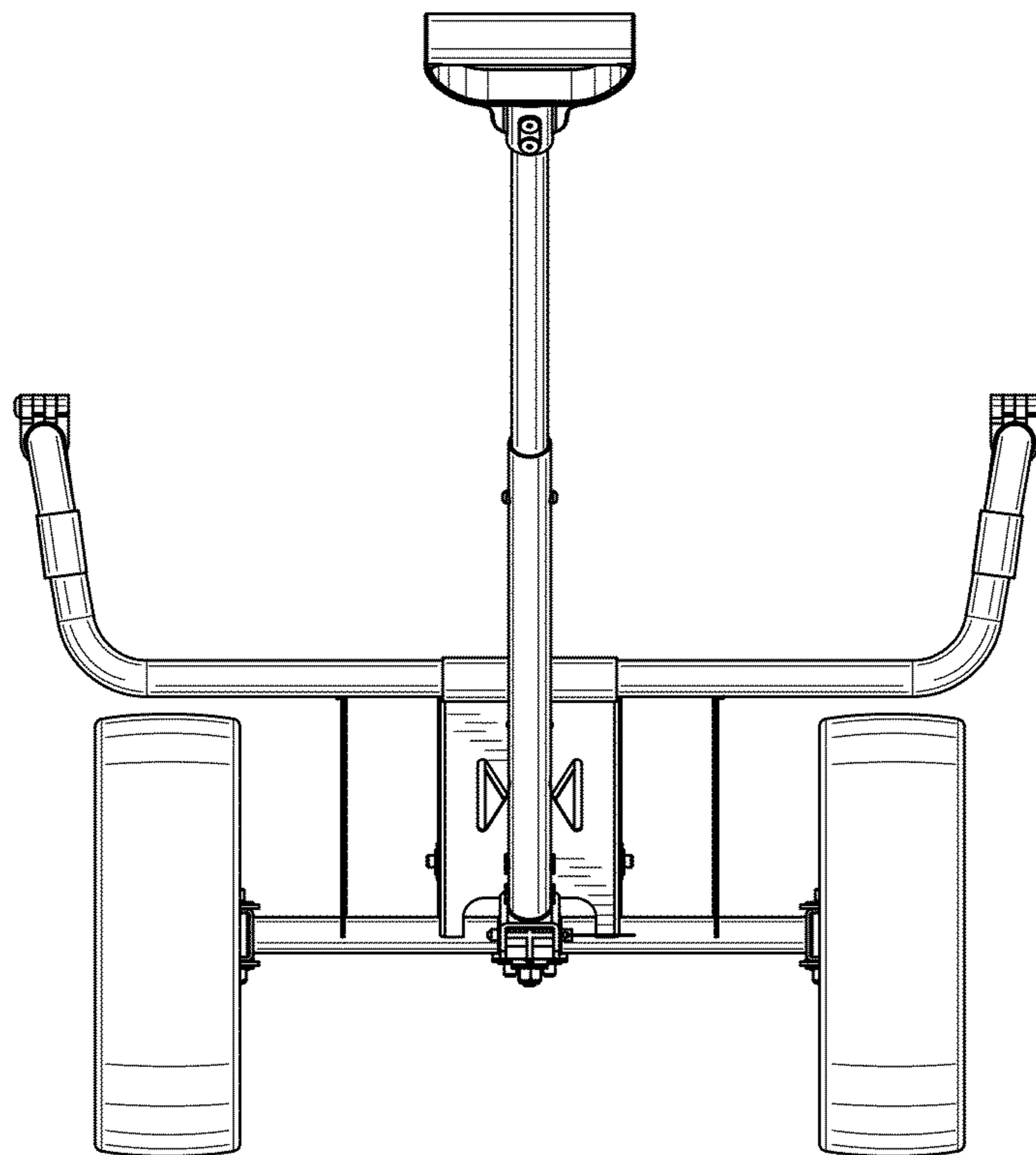


FIG. 4

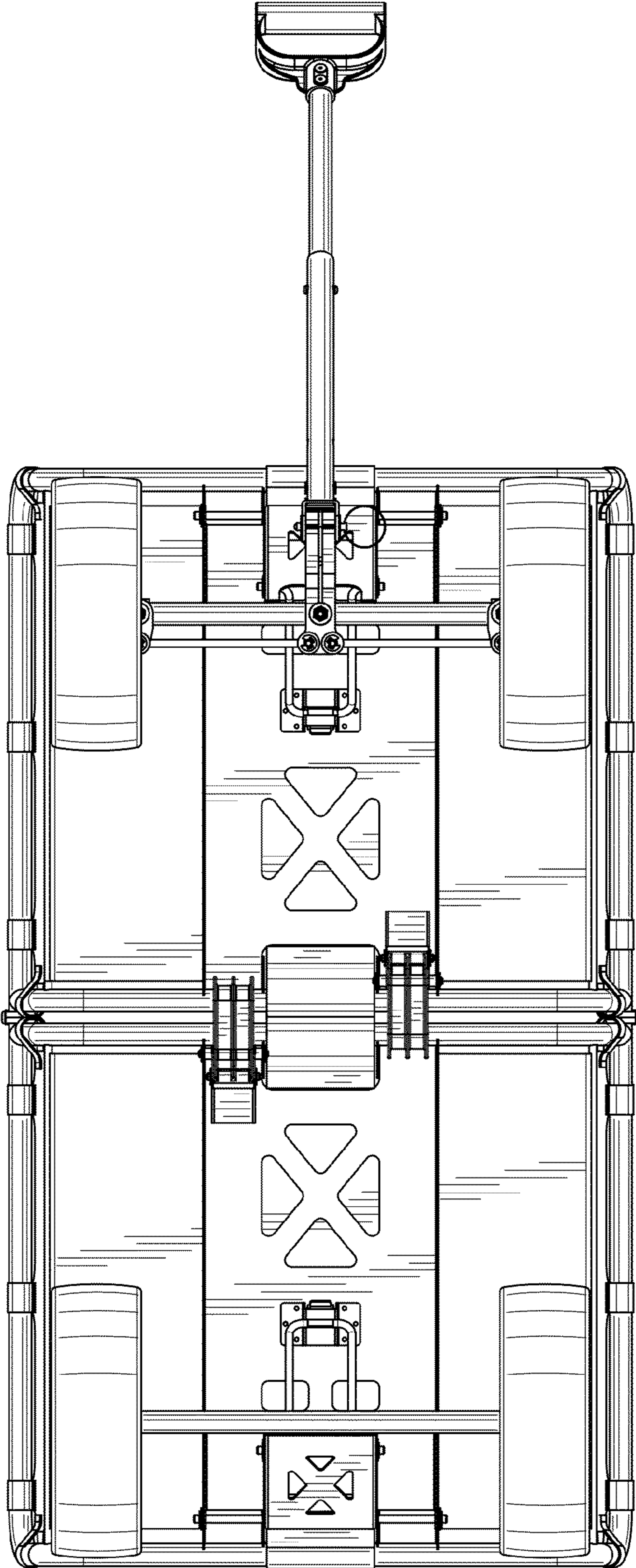


FIG. 5

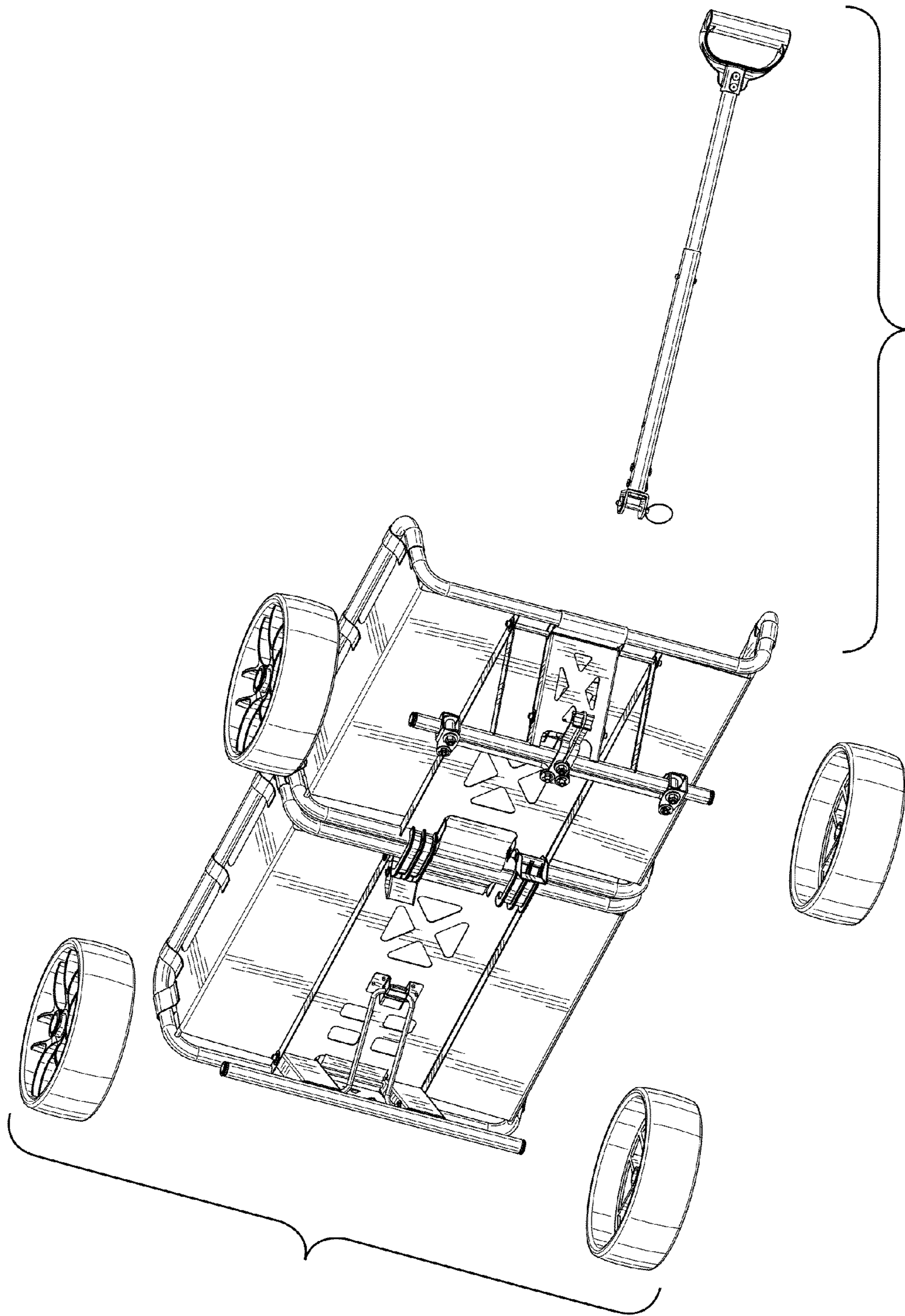


FIG. 6

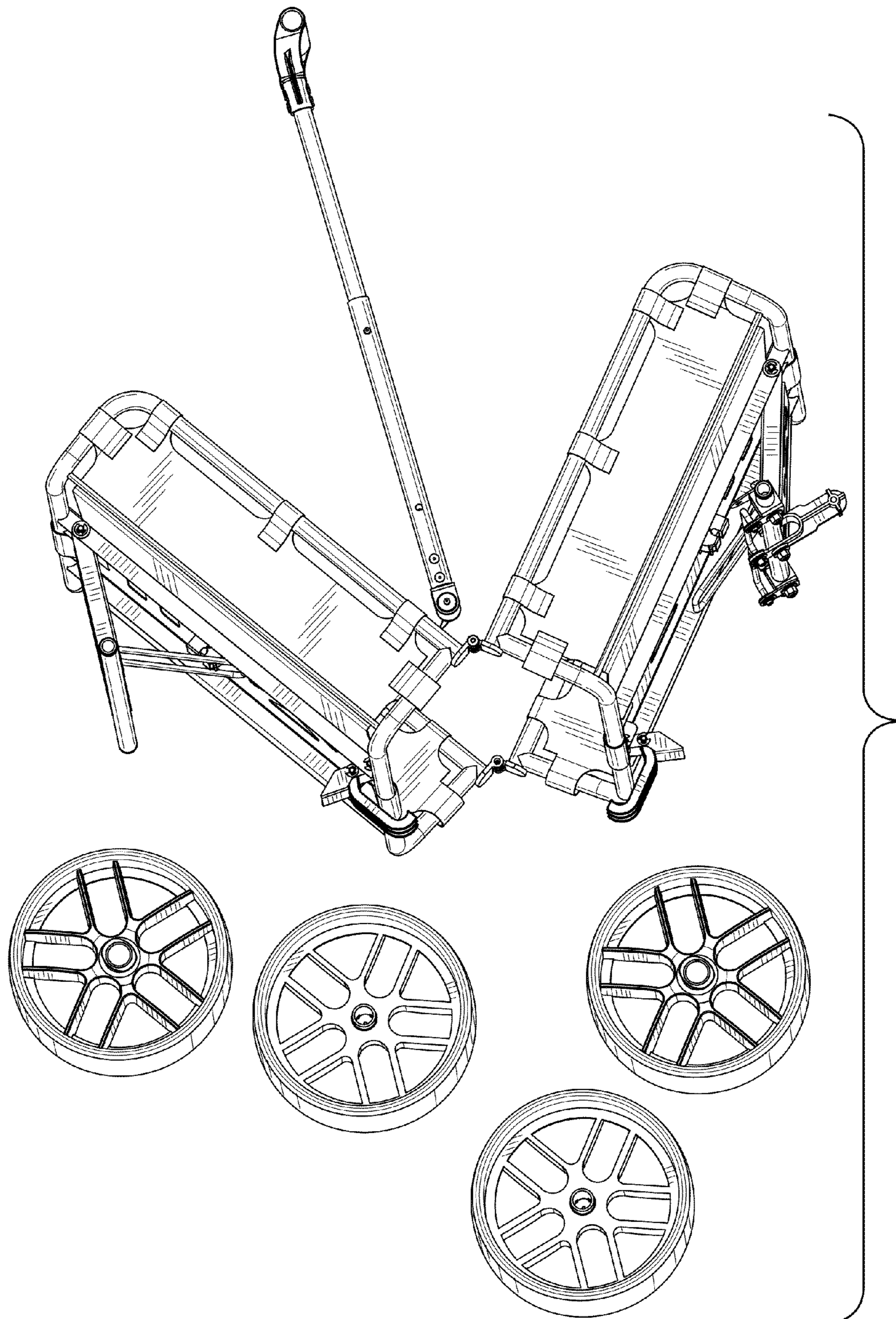


FIG. 7

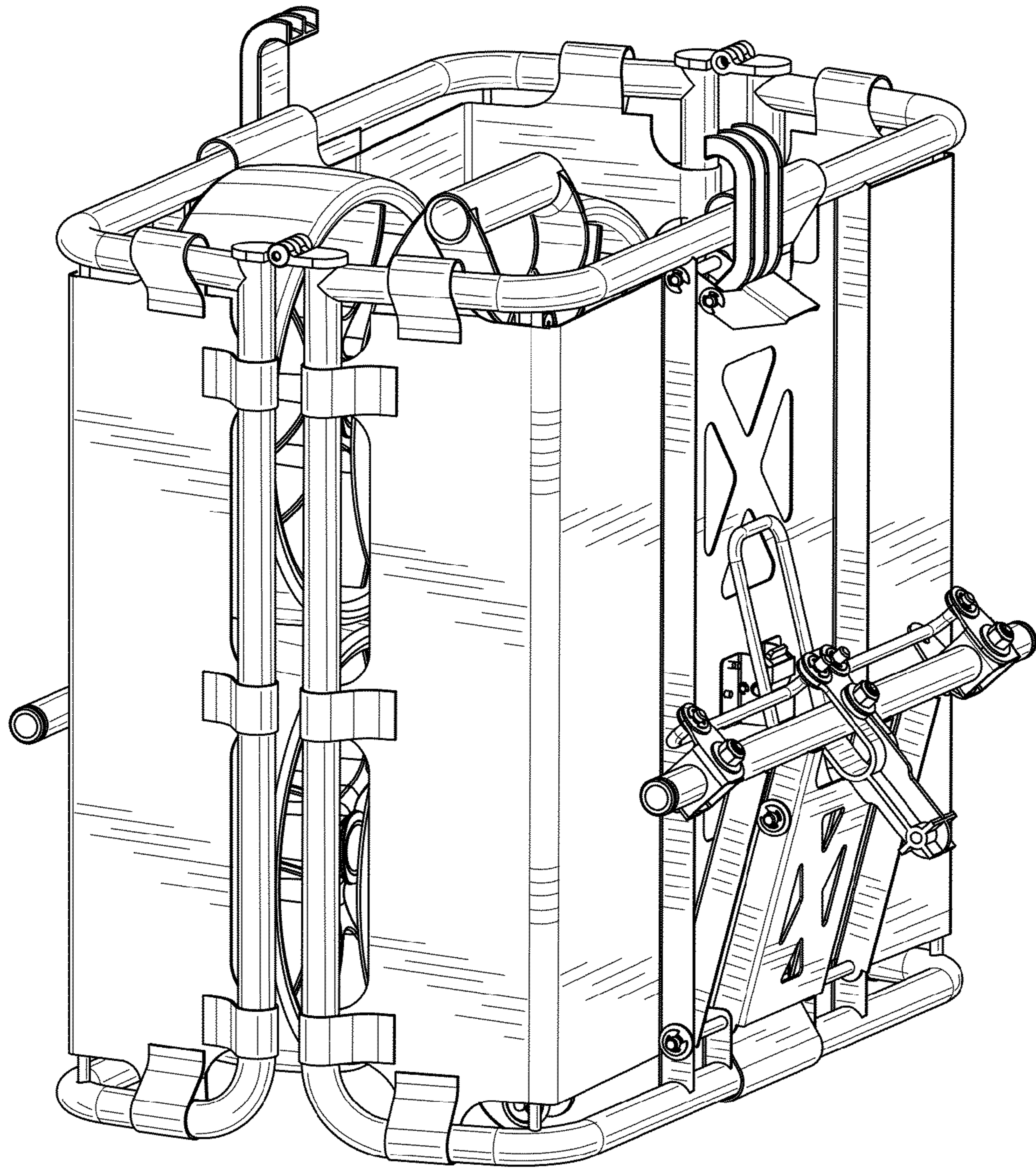


FIG. 8