



US00D723761S

(12) **United States Design Patent**
Goodman et al.

(10) **Patent No.:** **US D723,761 S**
(45) **Date of Patent:** **** Mar. 3, 2015**

(54) **SINK CRADLE**

(71) Applicant: **Spectrum Diversified Designs, Inc.**,
Streetsboro, OH (US)

(72) Inventors: **Sheldon H. Goodman**, Solon, OH (US);
Phaysouk Xayoiphonh, Akron, OH
(US)

(73) Assignee: **Spectrum Diversified Designs, Inc.**,
Streetsboro, OH (US)

(**) Term: **14 Years**

(21) Appl. No.: **29/507,689**

(22) Filed: **Oct. 30, 2014**

(51) **LOC (10) Cl.** **07-05**

(52) **U.S. Cl.**
USPC **D32/55**

(58) **Field of Classification Search**
USPC D32/55, 276, 3, 58; D6/510, 525, 536,
D6/553, 566, 678.4, 537; D30/133;
211/41.5, 41.4, 41.3, 41.8; 361/679.4;
312/311, 333, 334.4; D7/354, 629, 631
See application file for complete search history.

(56) **References Cited**

U.S. PATENT DOCUMENTS

D453,651 S * 2/2002 Snell D6/553
D563,708 S * 3/2008 Snell D6/566

D566,361 S * 4/2008 Snell D32/55
D612,648 S * 3/2010 Guindi D6/536
D637,850 S * 5/2011 Ghiorghie D6/566
D675,049 S * 1/2013 Goodman et al. D6/566
D691,774 S * 10/2013 Goodman et al. D32/55
D692,633 S * 10/2013 Goodman et al. D32/55
D718,510 S * 11/2014 Goodman et al. D32/55

* cited by examiner

Primary Examiner — Austin Murphy

(74) *Attorney, Agent, or Firm* — Benesch Friedlander
Coplan & Aronoff LLP

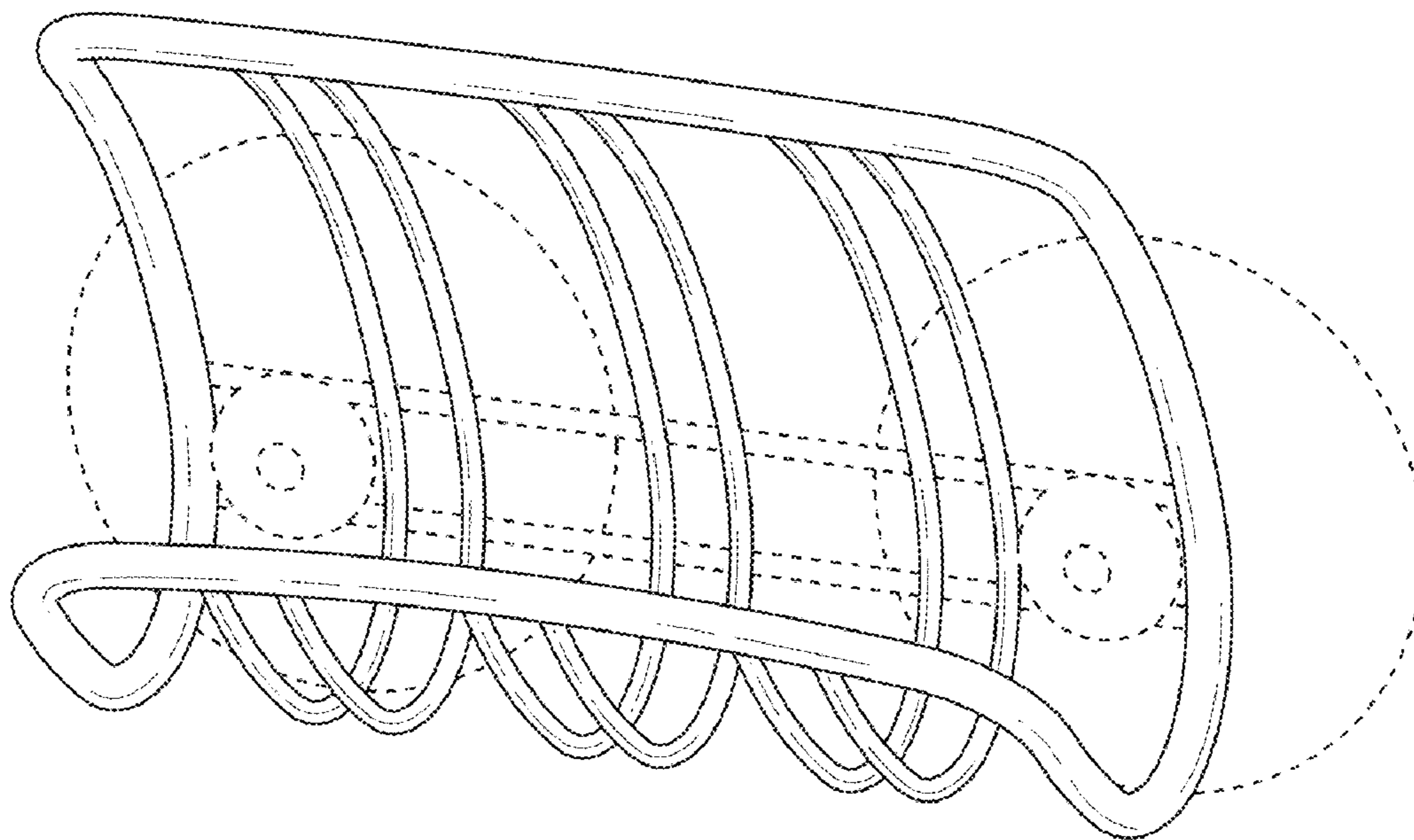
(57) **CLAIM**

What is claimed is the ornamental design for a sink cradle, as
shown and described.

DESCRIPTION

FIG. 1 is a perspective view of a sink cradle showing a new
design;
FIG. 2 is a front view of the sink cradle of FIG. 1;
FIG. 3 is a rear view of the sink cradle of FIG. 1;
FIG. 4 is a top view of the sink cradle of FIG. 1;
FIG. 5 is a bottom view of the sink cradle of FIG. 1; and,
FIG. 6 is a side view of the sink cradle of FIG. 1.
The components of the display shown in broken lines illus-
trate portions of the sink cradle form no part of the claimed
design.

1 Claim, 4 Drawing Sheets



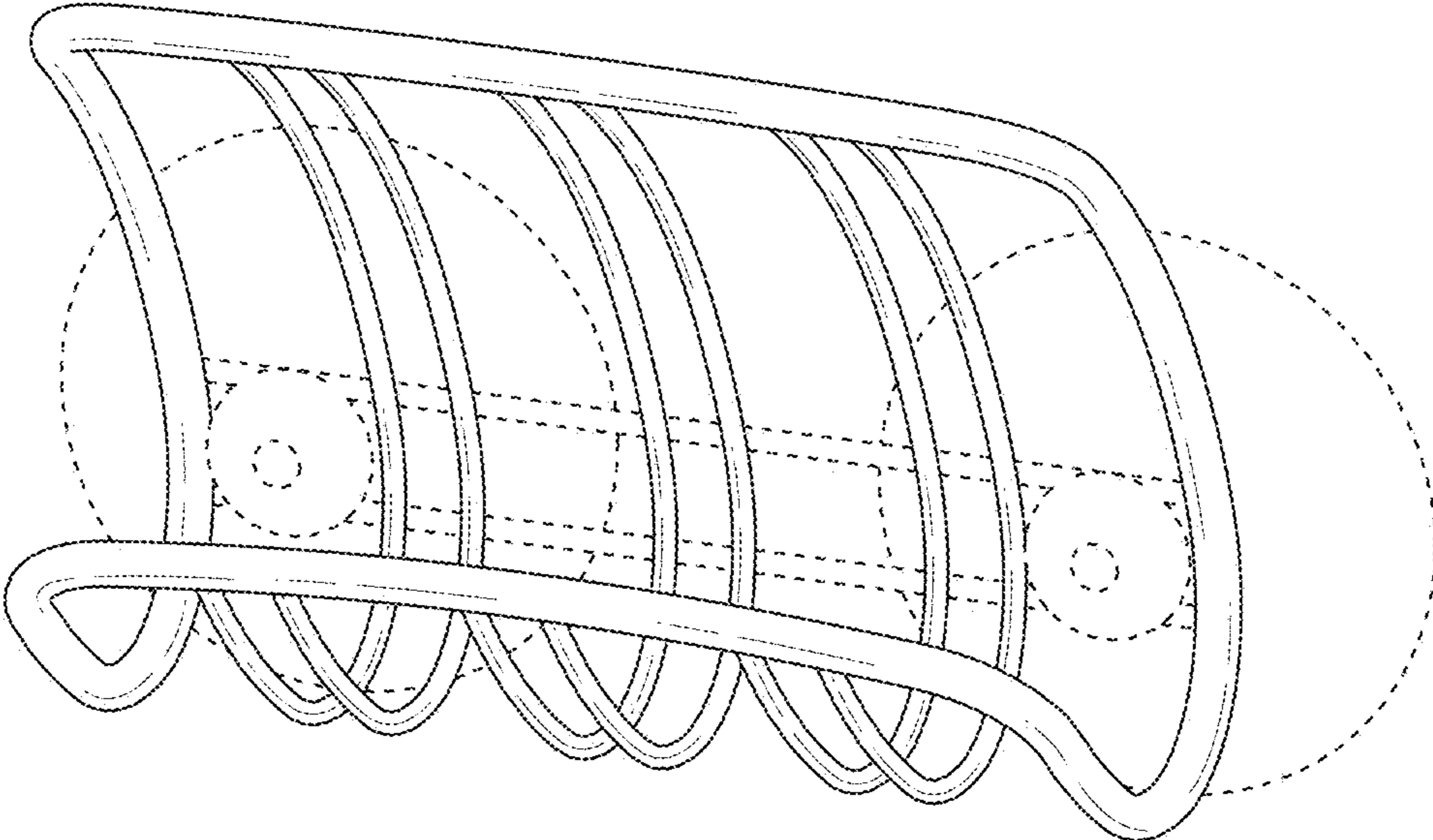


FIG. 1

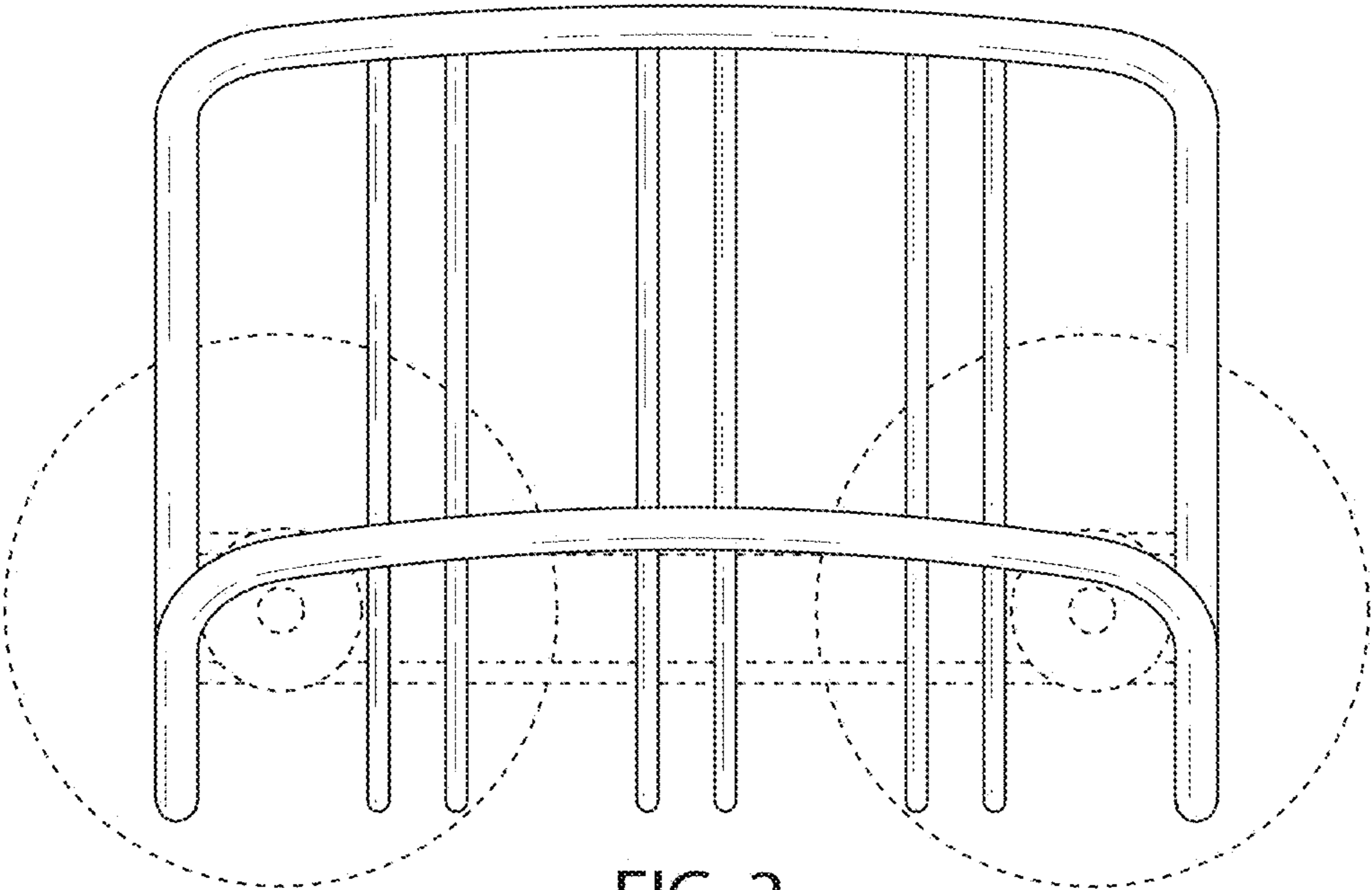


FIG. 2

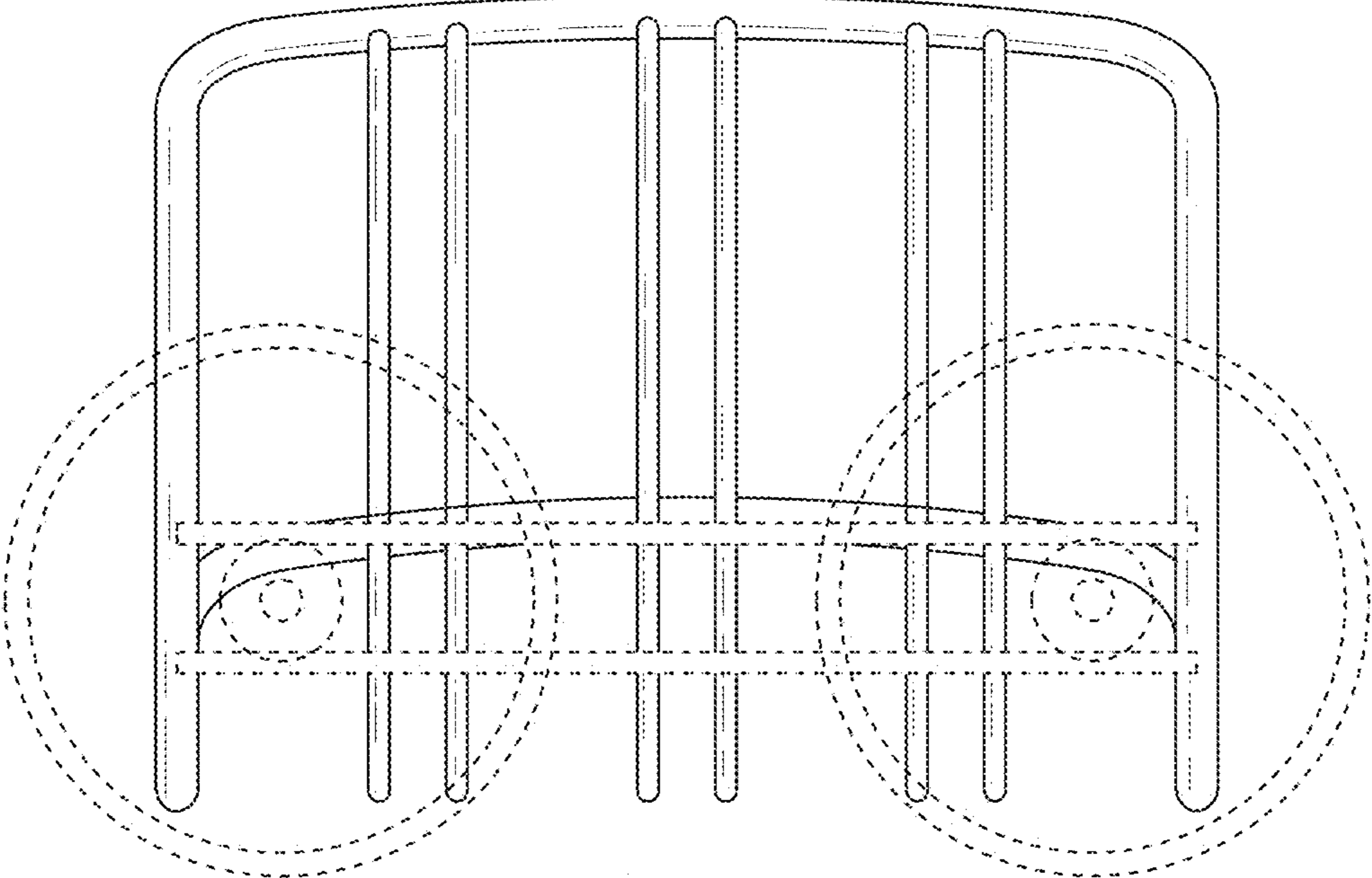


FIG. 3

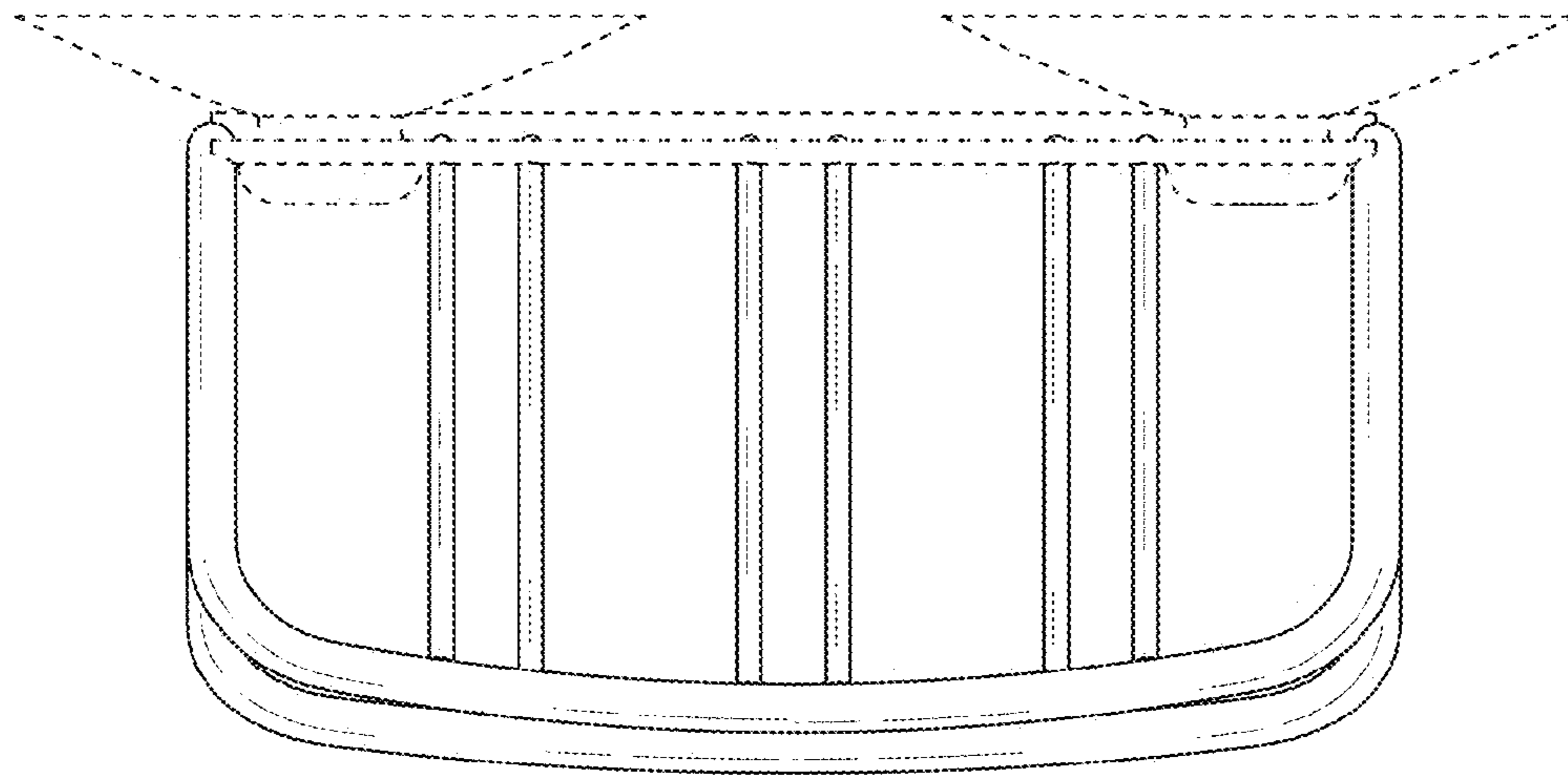


FIG. 4

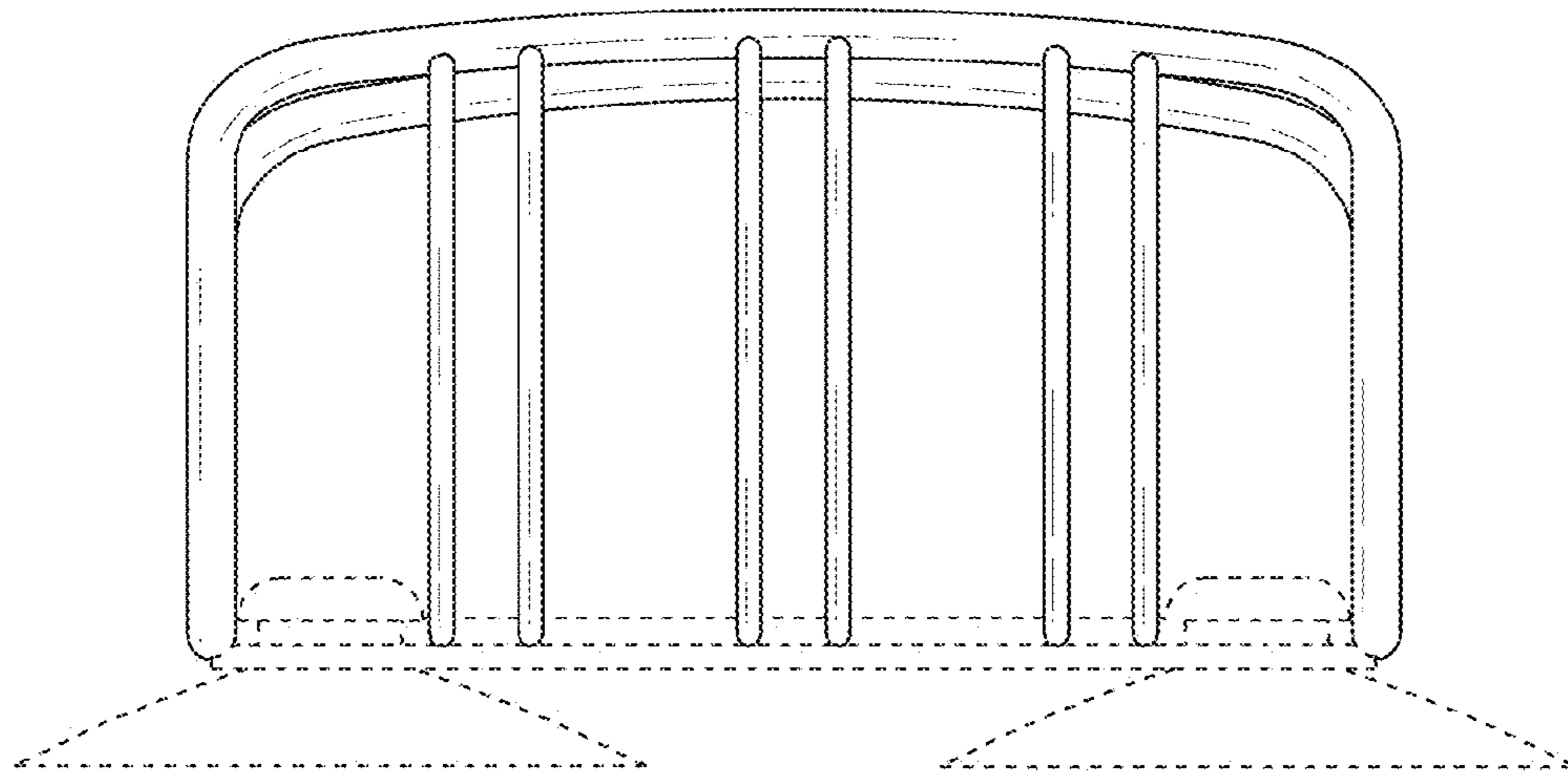


FIG. 5

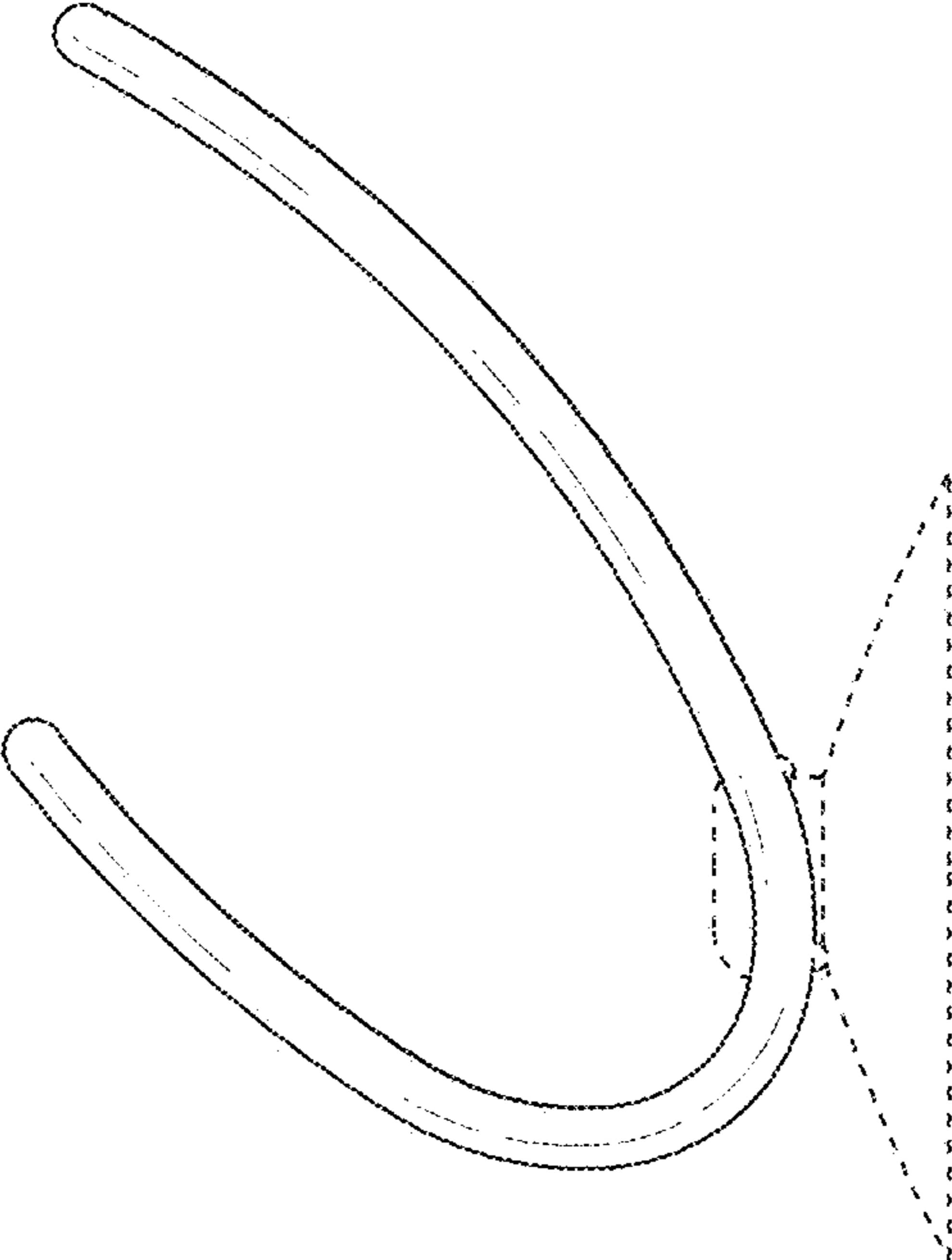


FIG. 6