



US00D723758S

(12) **United States Design Patent**
Lentine

(10) **Patent No.:** **US D723,758 S**
(45) **Date of Patent:** **** Mar. 3, 2015**

(54) **DUAL SPOUT MOP BUCKET**
(71) Applicant: **Telebrands Corp.**, Fairfield, NJ (US)
(72) Inventor: **Lou Lentine**, Chattanooga, TN (US)
(73) Assignee: **Telebrands, Corp.**, Fairfield, NJ (US)
(**) Term: **14 Years**
(21) Appl. No.: **29/491,361**

8,365,341 B2 2/2013 Lin
8,407,849 B2* 4/2013 Chen 15/260
D693,080 S * 11/2013 Shao D32/53
D707,003 S * 6/2014 Dingert D32/53
2010/0077561 A1 4/2010 Yu
2010/0078376 A1 4/2010 Yu
2010/0122953 A1 5/2010 Yu
2010/0180460 A1 7/2010 Tang
2010/0242205 A1 9/2010 Chen
2010/0306952 A1 12/2010 Chu
2012/0047675 A1 3/2012 Chu
2012/0090122 A1 4/2012 Lin

(22) Filed: **May 20, 2014**
(51) **LOC (10) Cl.** **07-07**
(52) **U.S. Cl.**
USPC **D32/53**
(58) **Field of Classification Search**
USPC D32/53-54; 15/119.1, 120.1, 260-264;
220/570, 904
See application file for complete search history.

FOREIGN PATENT DOCUMENTS

EP 1890583 2/2008
EP 1890585 2/2008
EP 2255712 12/2012
EP 2255714 10/2013

* cited by examiner

Primary Examiner — Robin V Webster

(74) *Attorney, Agent, or Firm* — Cooper & Dunham LLP

(56) **References Cited**
U.S. PATENT DOCUMENTS

D407,878 S * 4/1999 Carlson D32/53
D518,262 S * 3/2006 Jurgens D32/53
7,743,528 B2 6/2010 Lin
D632,446 S * 2/2011 Tseng D32/53
7,909,174 B1 3/2011 Yu
D645,628 S * 9/2011 Tseng D32/53
D647,268 S * 10/2011 Chen D32/53
8,028,369 B2 10/2011 Chiang
8,056,179 B2 11/2011 Hsu
8,065,777 B2 11/2011 Lin
8,156,607 B2* 4/2012 Chiang 15/260
8,220,101 B2 7/2012 Chen
8,239,997 B2* 8/2012 Lin 15/260
8,291,544 B2 10/2012 Chen et al.
8,327,502 B2* 12/2012 Tsai 15/260
8,336,159 B2 12/2012 Chen et al.
8,336,160 B2 12/2012 Chen
8,347,451 B2 1/2013 Chen
8,347,519 B2 1/2013 Chen

(57) **CLAIM**

The ornamental design for a dual spout mop bucket, as shown and described.

DESCRIPTION

FIG. 1 is a side perspective view of a dual spout mop bucket in accordance with the present design;
FIG. 2 is a front view thereof;
FIG. 3 is a back view thereof;
FIG. 4 is a left side view thereof;
FIG. 5 is a right side view thereof;
FIG. 6 is a top view thereof; and,
FIG. 7 is a bottom view thereof.
The broken lines are for illustrative purposes only and form no part of the claimed design. The shading represents contour of the claimed design.

1 Claim, 5 Drawing Sheets

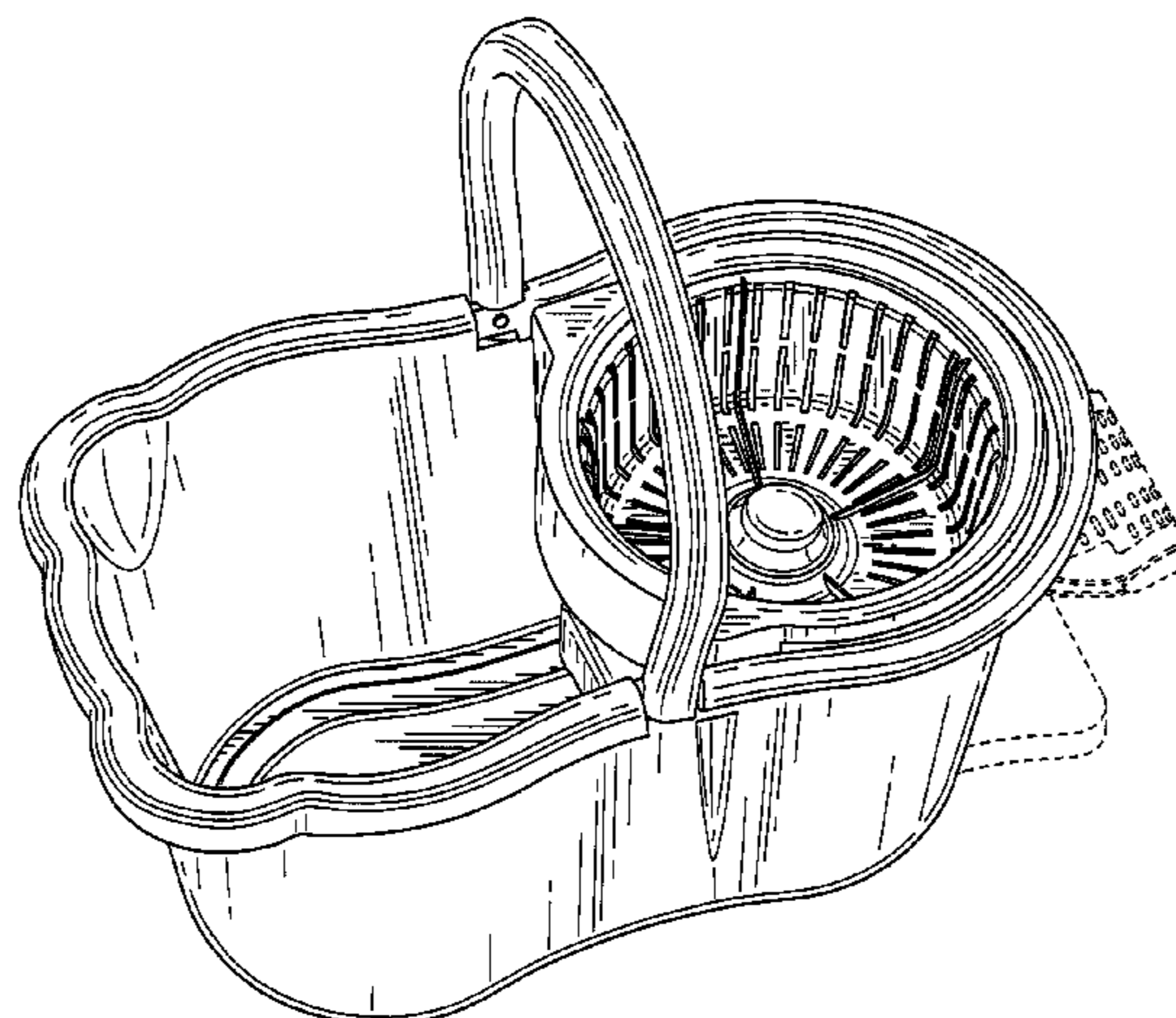


FIG. 1

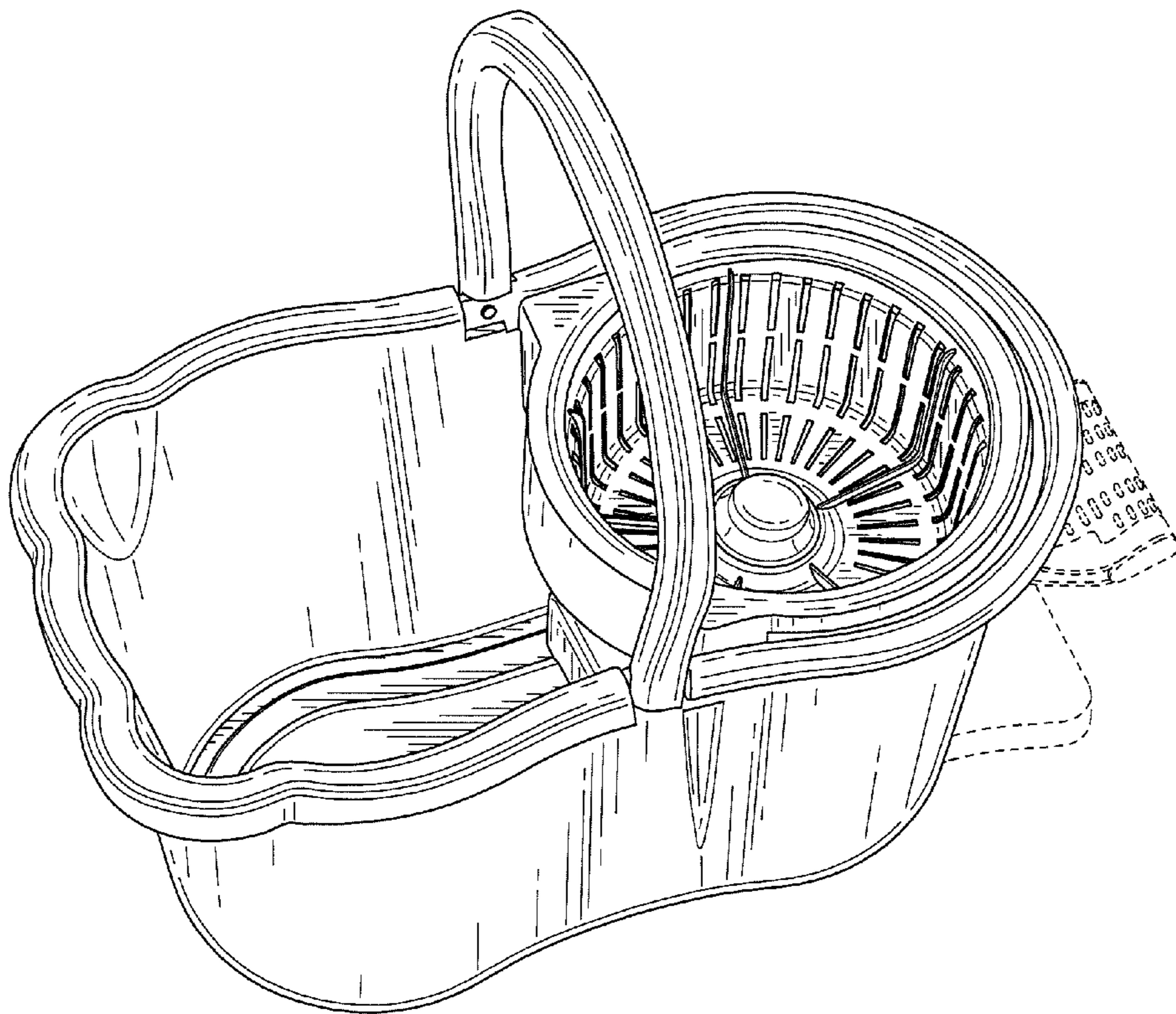


FIG. 3

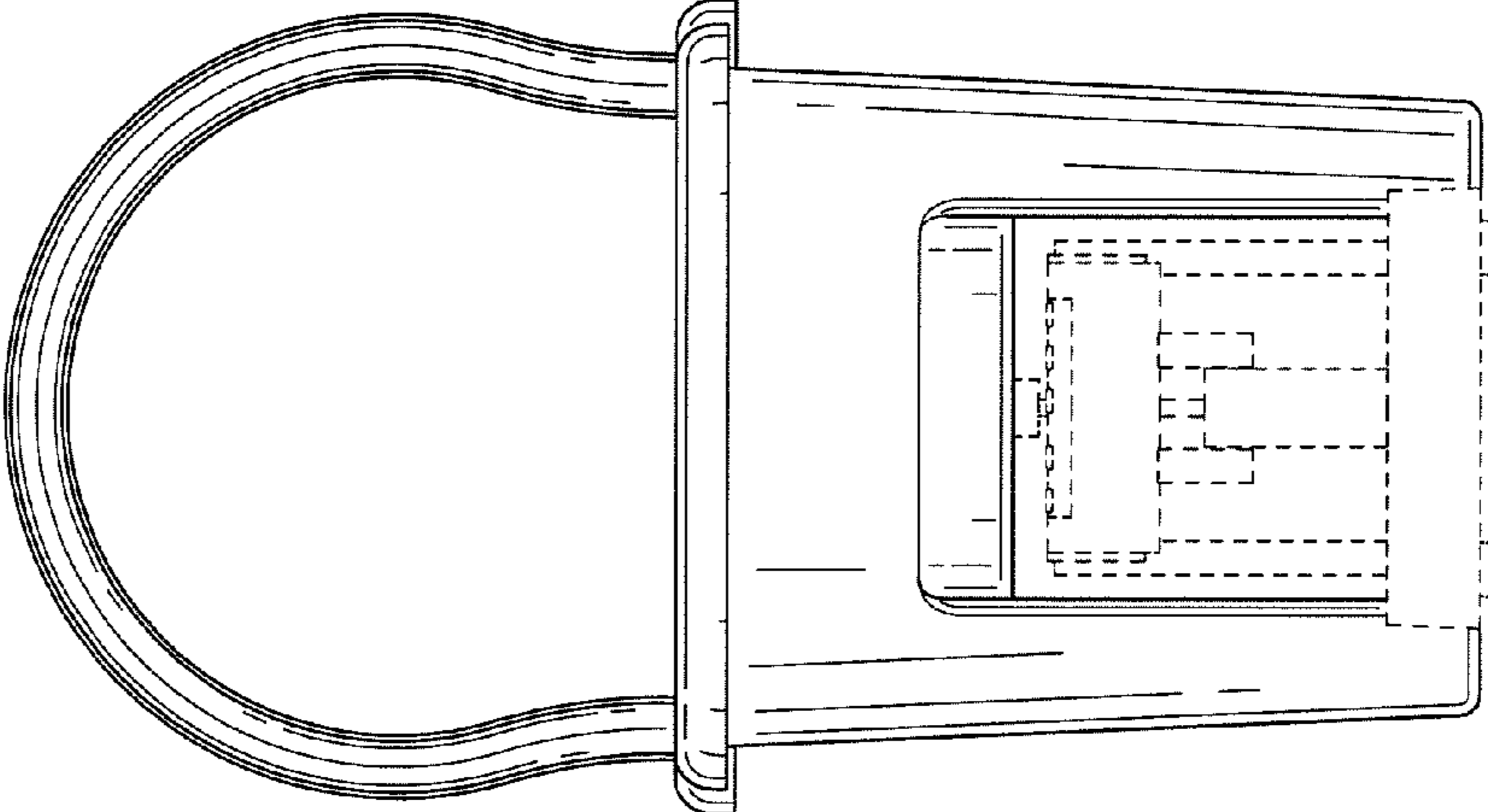


FIG. 2

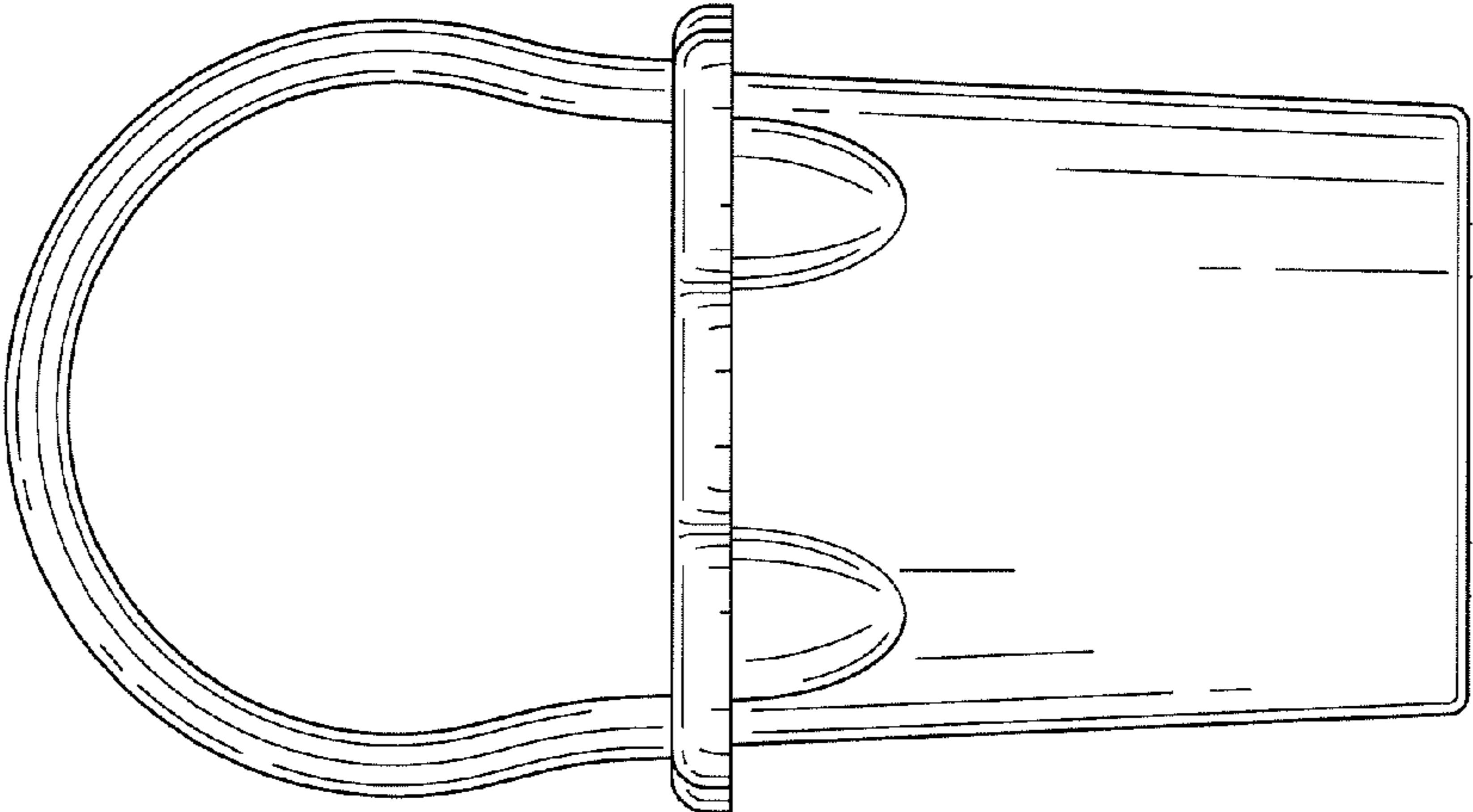


FIG. 4

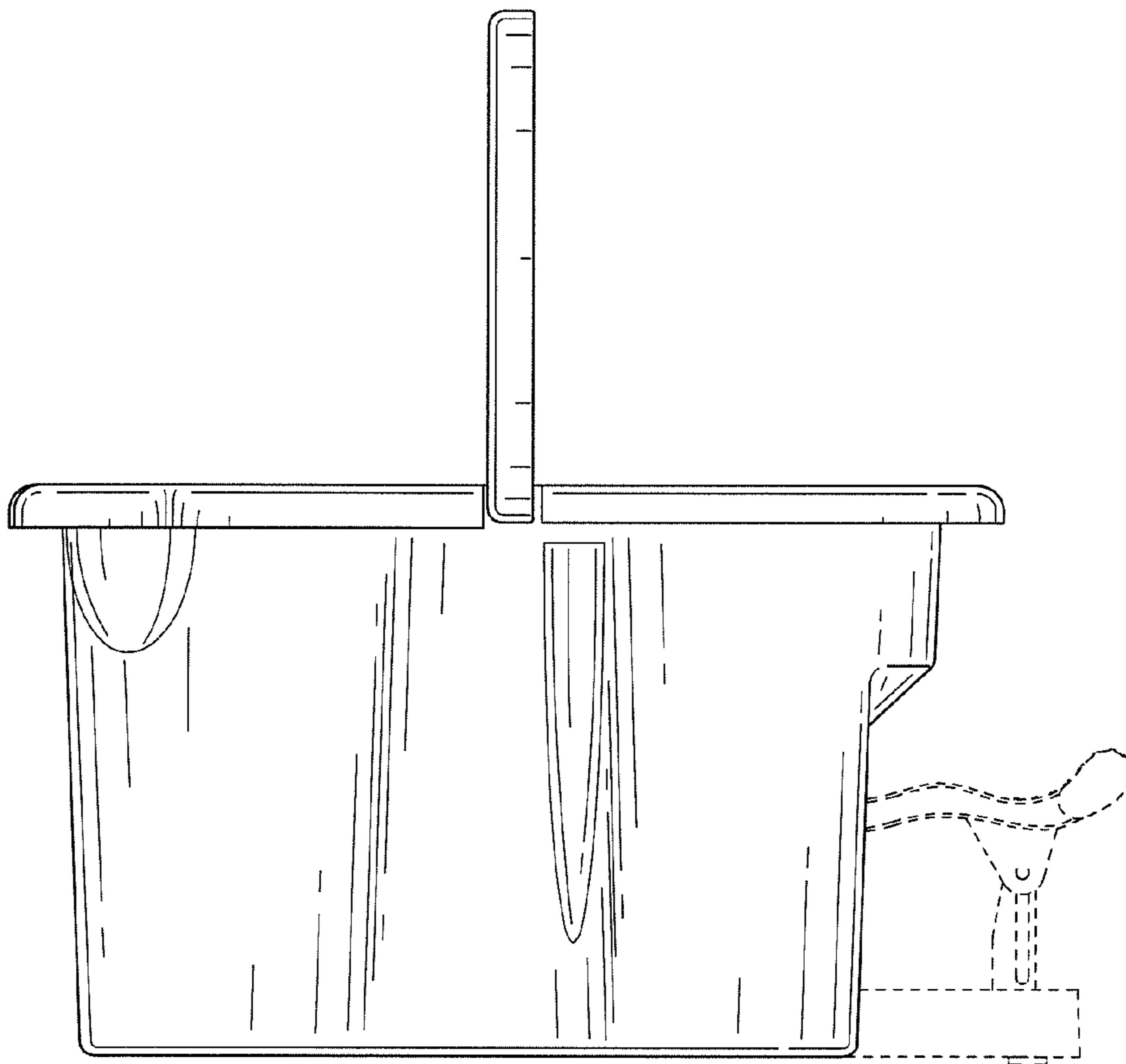


FIG. 5

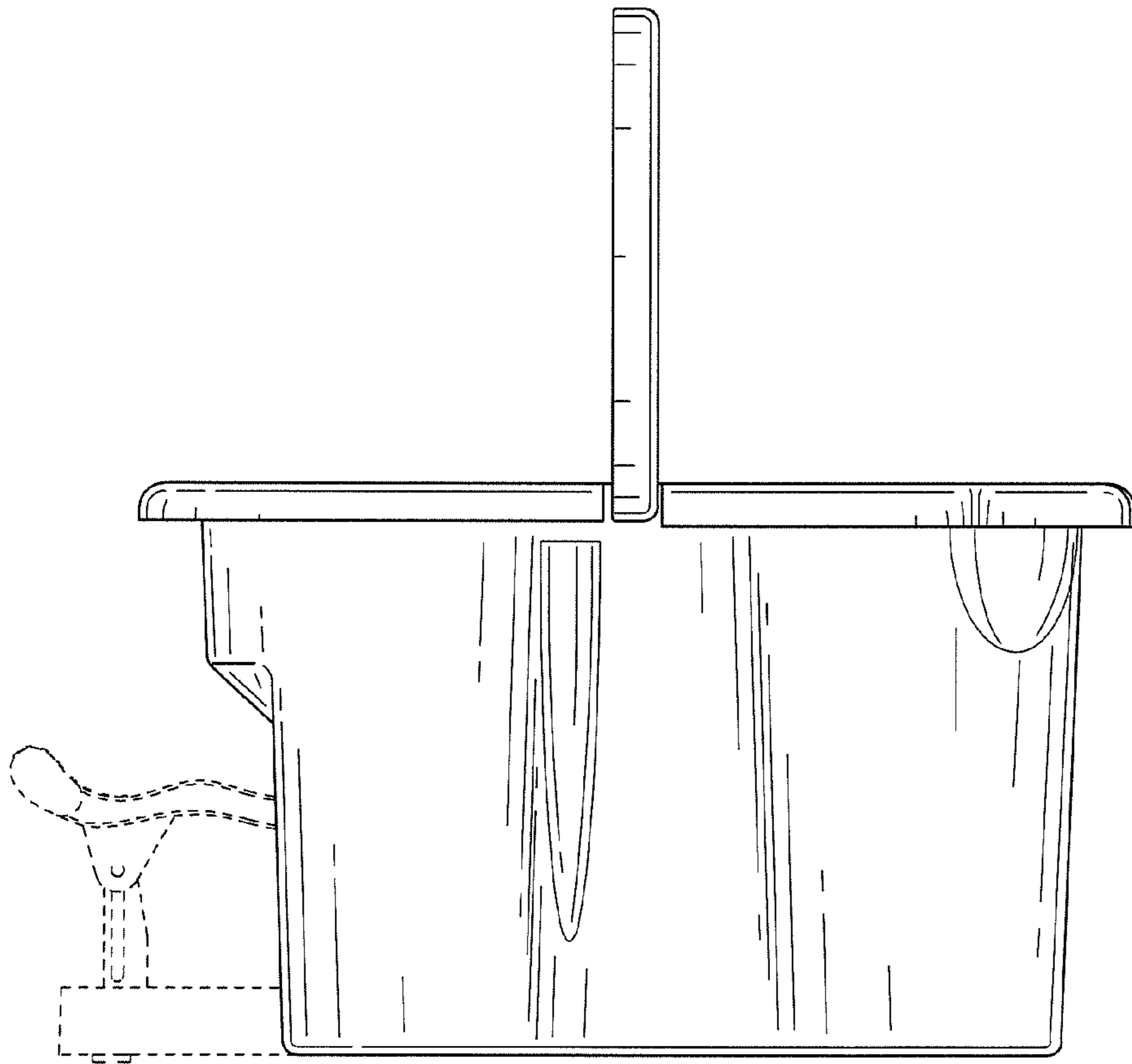


FIG. 6

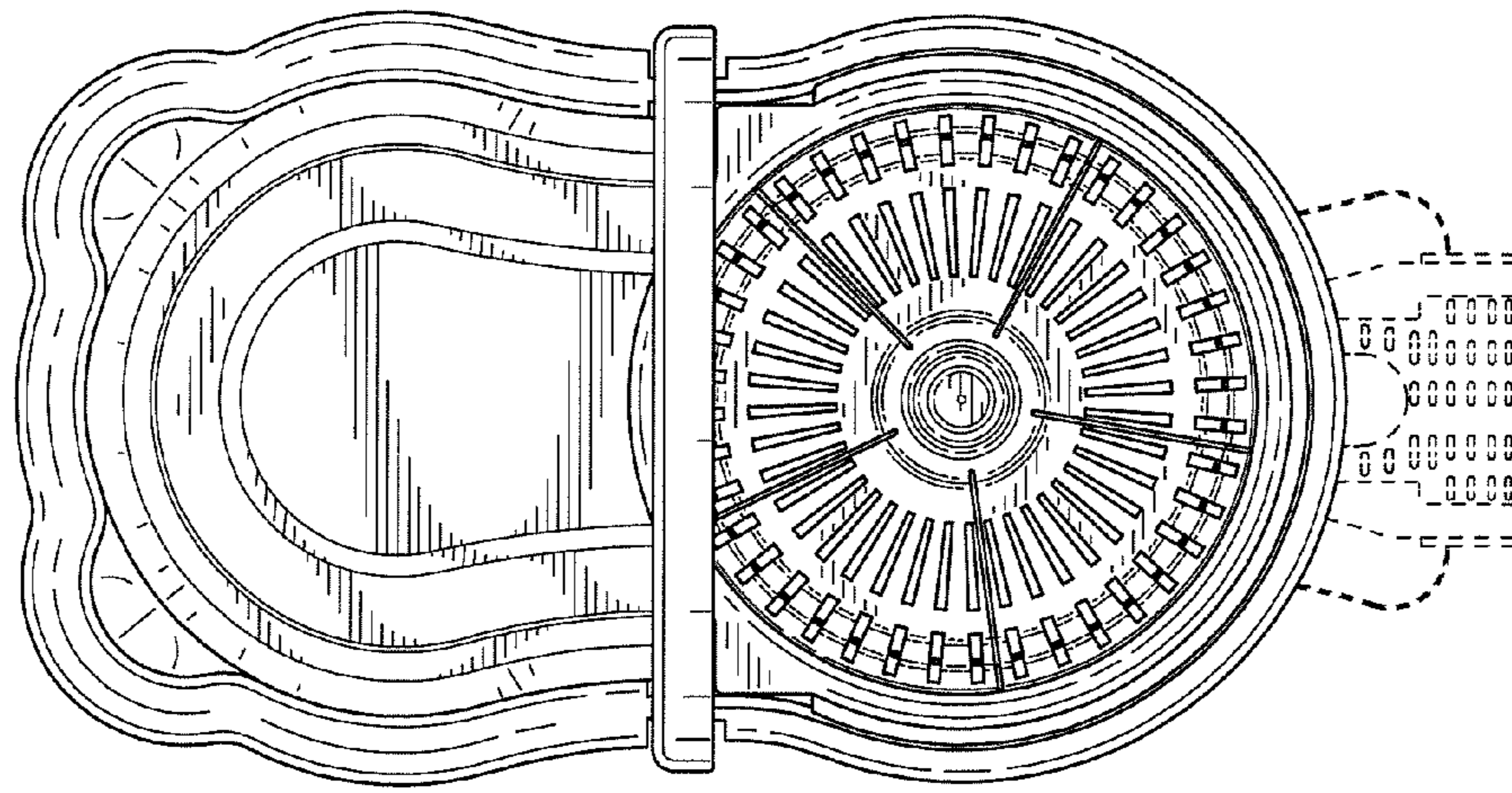


FIG. 7

