



US00D723754S

(12) **United States Design Patent**  
**Yun et al.**

(10) **Patent No.:** **US D723,754 S**  
(45) **Date of Patent:** **\*\* Mar. 3, 2015**

(54) **HOME APPLIANCE**

(71) Applicant: **Samsung Electronics Co., Ltd.**,  
Suwon-si (KR)

(72) Inventors: **Deok-Sang Yun**, Ahnsan-Si (KR);  
**Yeon-Young Nam**, Goyang-Si (KR);  
**Dong-Won Chun**, Paju-Si (KR)

(73) Assignee: **Samsung Electronics Co., Ltd.**,  
Suwon-si (KR)

(\*\*) Term: **14 Years**

(21) Appl. No.: **29/480,243**

(22) Filed: **Jan. 24, 2014**

(30) **Foreign Application Priority Data**

Oct. 22, 2013 (KR) ..... 30-2013-0053209

(51) **LOC (10) Cl.** ..... **15-05**

(52) **U.S. Cl.**  
USPC ..... **D32/21**

(58) **Field of Classification Search**  
CPC ..... A47L 7/0038; A47L 5/36-5/367;  
A47L 5/24; A47L 5/14; A47L 5/28; A47L  
7/0019; A47L 7/0023; A47L 7/0004; A47L  
9/1666; A47L 9/1683; A47L 11/34; A47L  
11/4072; A47L 9/009; A47L 11/40  
USPC ..... 301/95.101, 105.1, 5.1; D12/501, 204,  
D12/208; D32/21, 23-24, 31

See application file for complete search history.

(56) **References Cited**

U.S. PATENT DOCUMENTS

D445,226 S *	7/2001	Jupp	.....	D32/21
D550,910 S *	9/2007	Shin	.....	D32/21
D551,403 S *	9/2007	Shin	.....	D32/21
D552,310 S *	10/2007	Shin	.....	D32/21
D552,811 S *	10/2007	Shin	.....	D32/21
D553,311 S *	10/2007	Shin	.....	D32/21
D553,812 S *	10/2007	Shin	.....	D32/21
D554,308 S *	10/2007	Shin	.....	D32/21
D565,813 S *	4/2008	Shin	.....	D32/21

\* cited by examiner

*Primary Examiner* — Ruth McInroy

(74) *Attorney, Agent, or Firm* — NSIP Law

(57) **CLAIM**

We claim the ornamental design for a home appliance, as shown and described.

**DESCRIPTION**

FIG. 1 is a front perspective view of a home appliance showing our new design;

FIG. 2 is a front view thereof;

FIG. 3 is a rear view thereof;

FIG. 4 is a left-side view thereof;

FIG. 5 is a right-side view thereof;

FIG. 6 is a top view thereof;

FIG. 7 is a bottom view thereof; and,

FIG. 8 is an enlarged view of the portion circled in FIG. 1.

The broken lines illustrating portions of the home appliance are for environmental purposes only and form no part of the claimed design.

The dot-dash broken lines encircling portions of the claimed design that are illustrated in enlargements form no part of the claimed design.

**1 Claim, 8 Drawing Sheets**

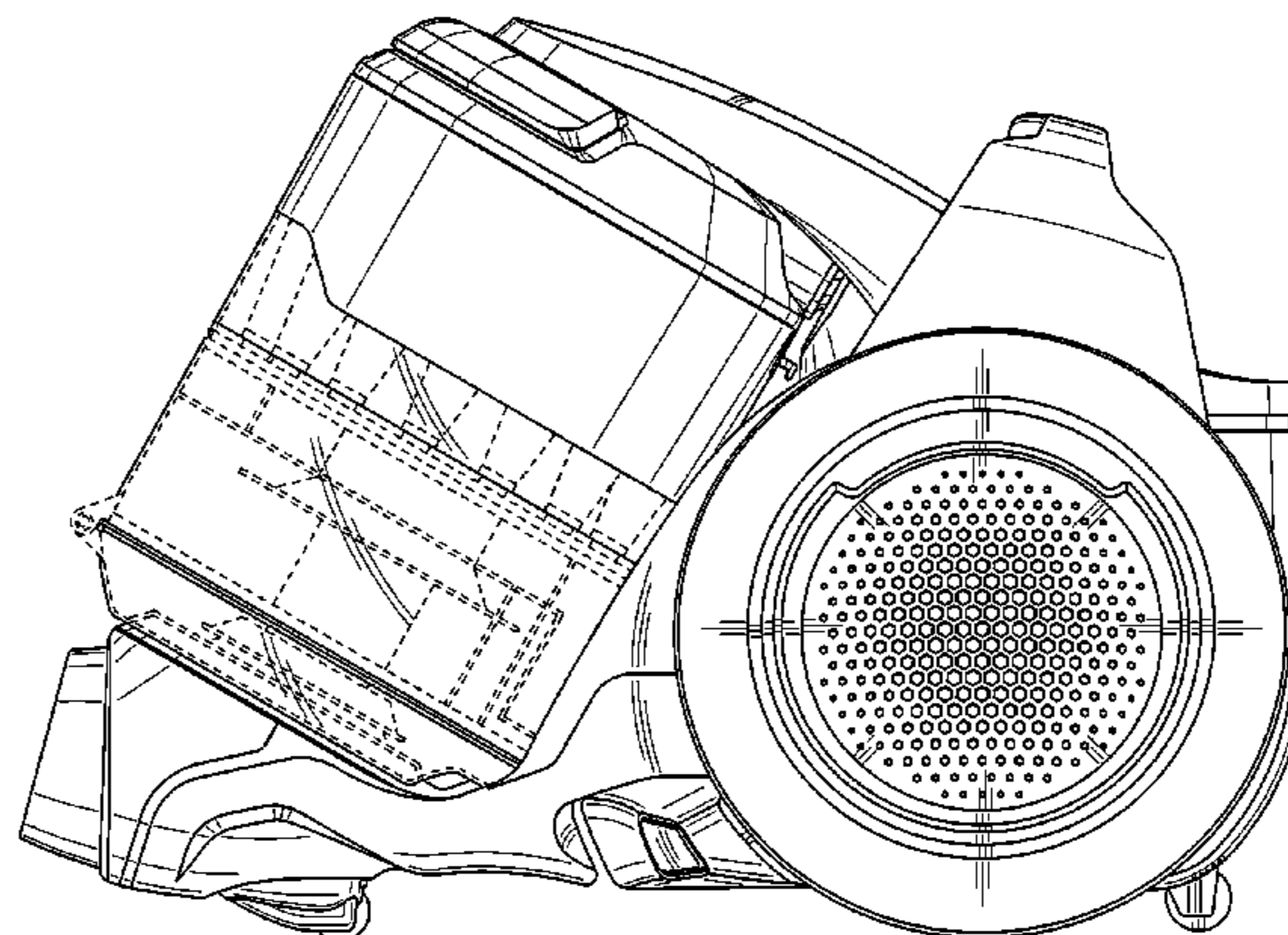
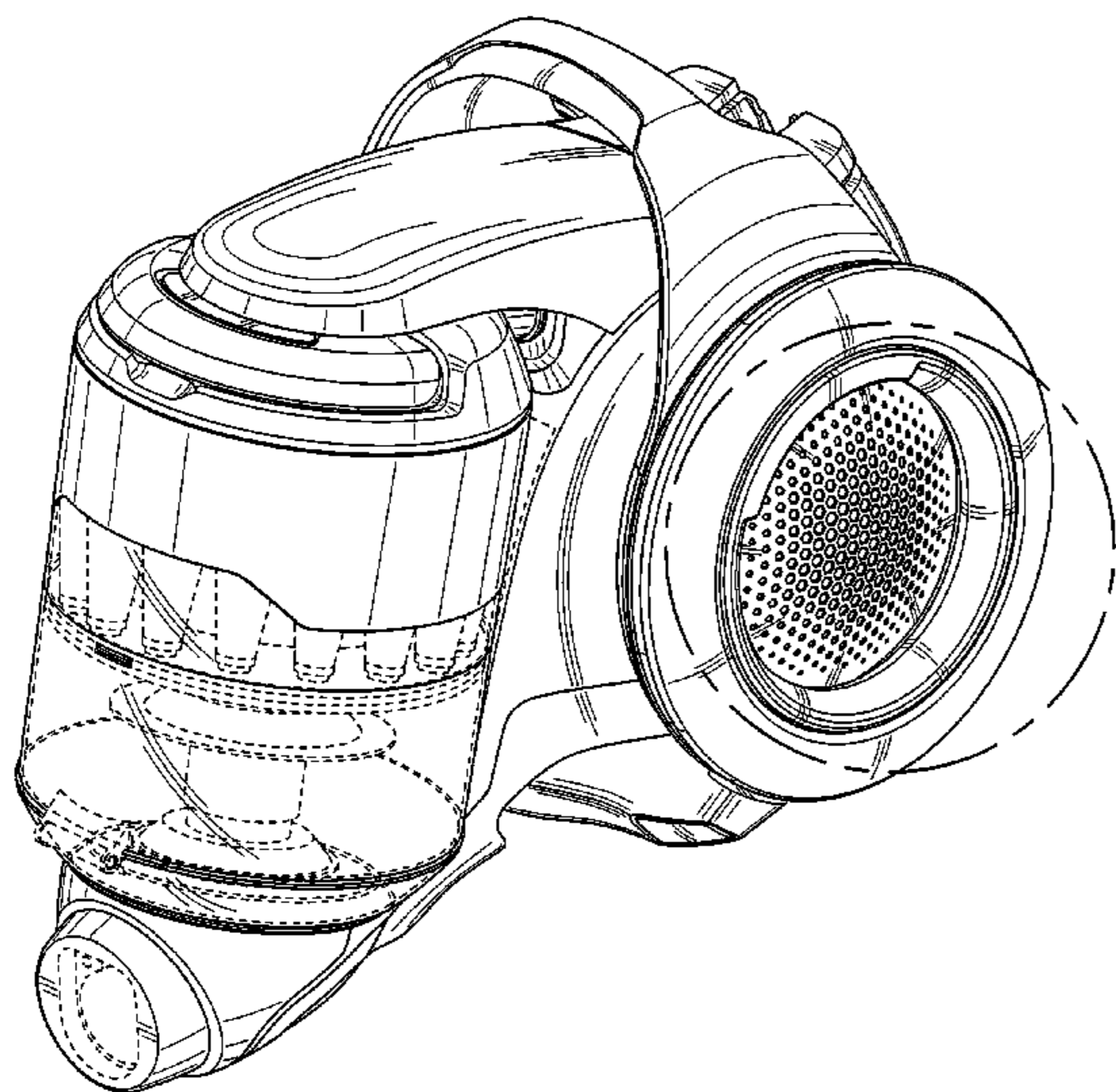


FIG. 1

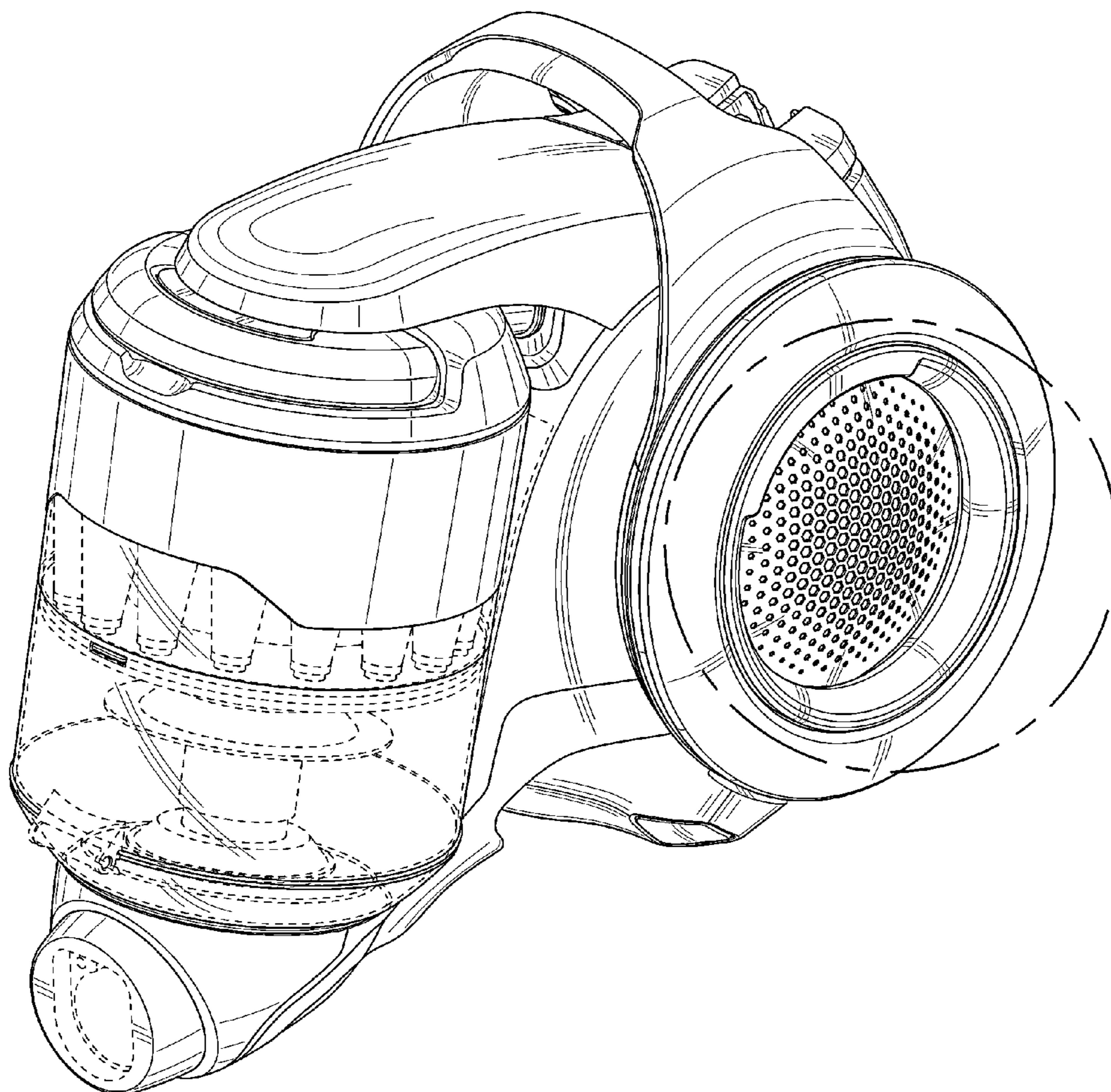




FIG. 2

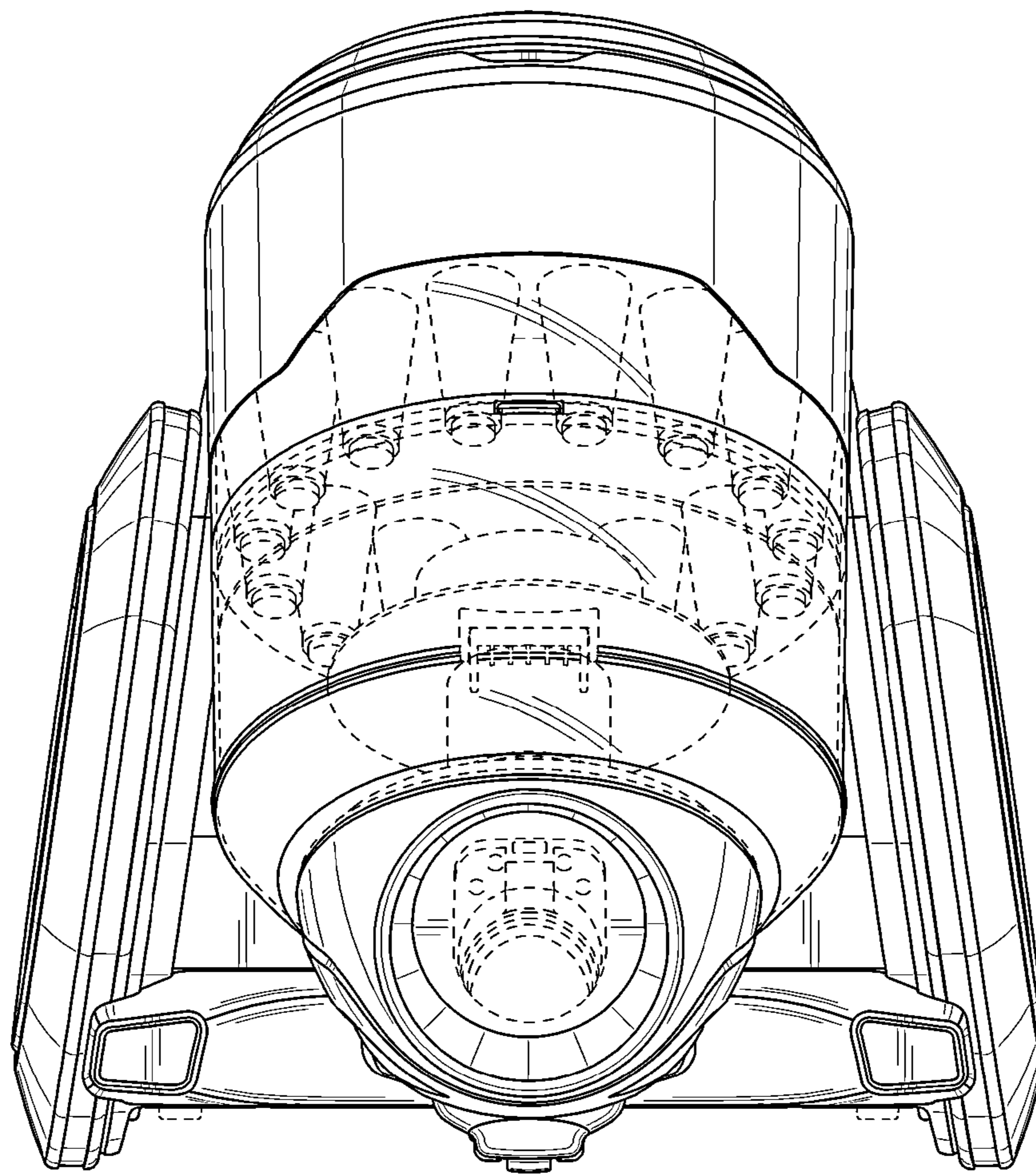


FIG. 3

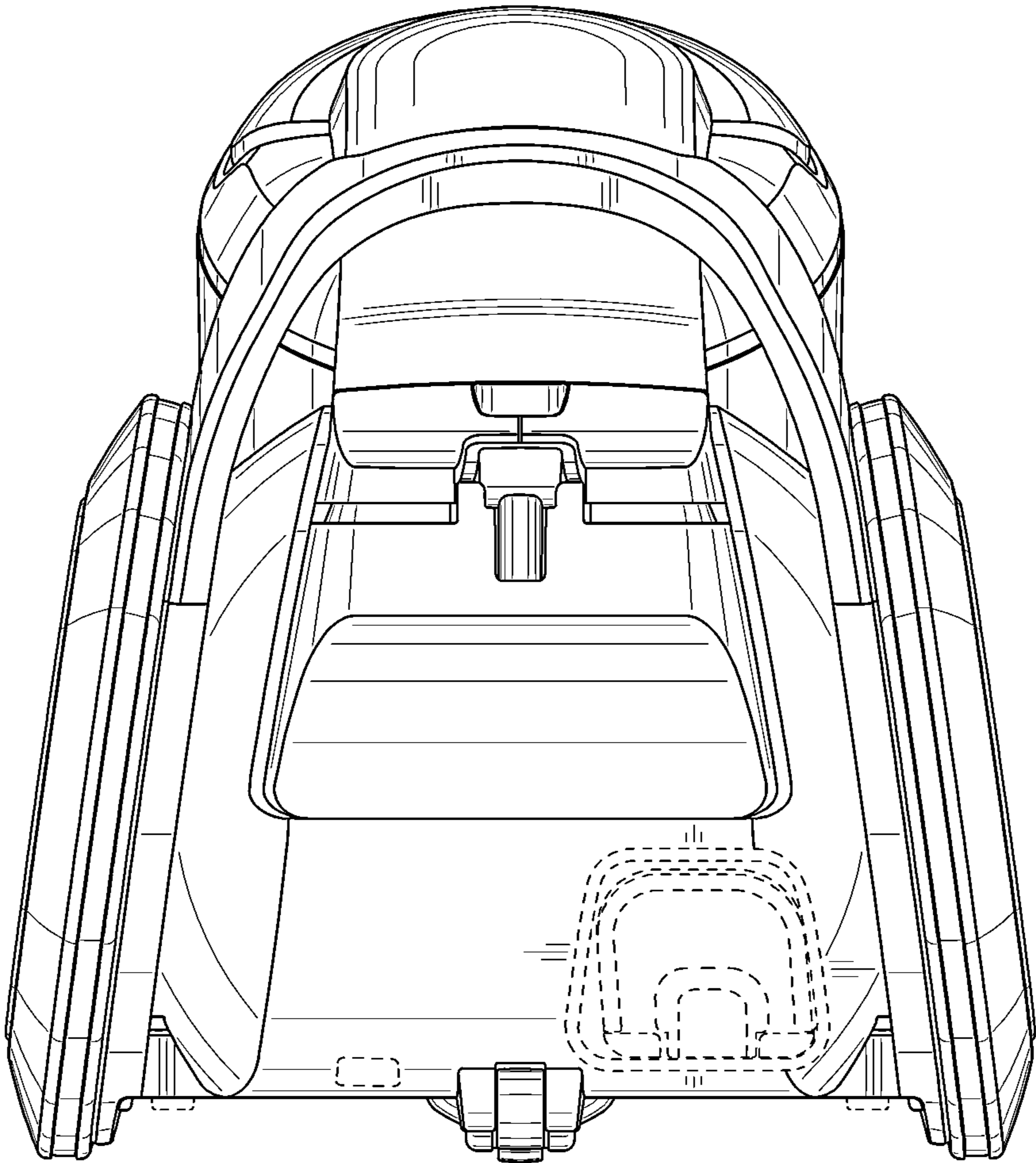


FIG. 4

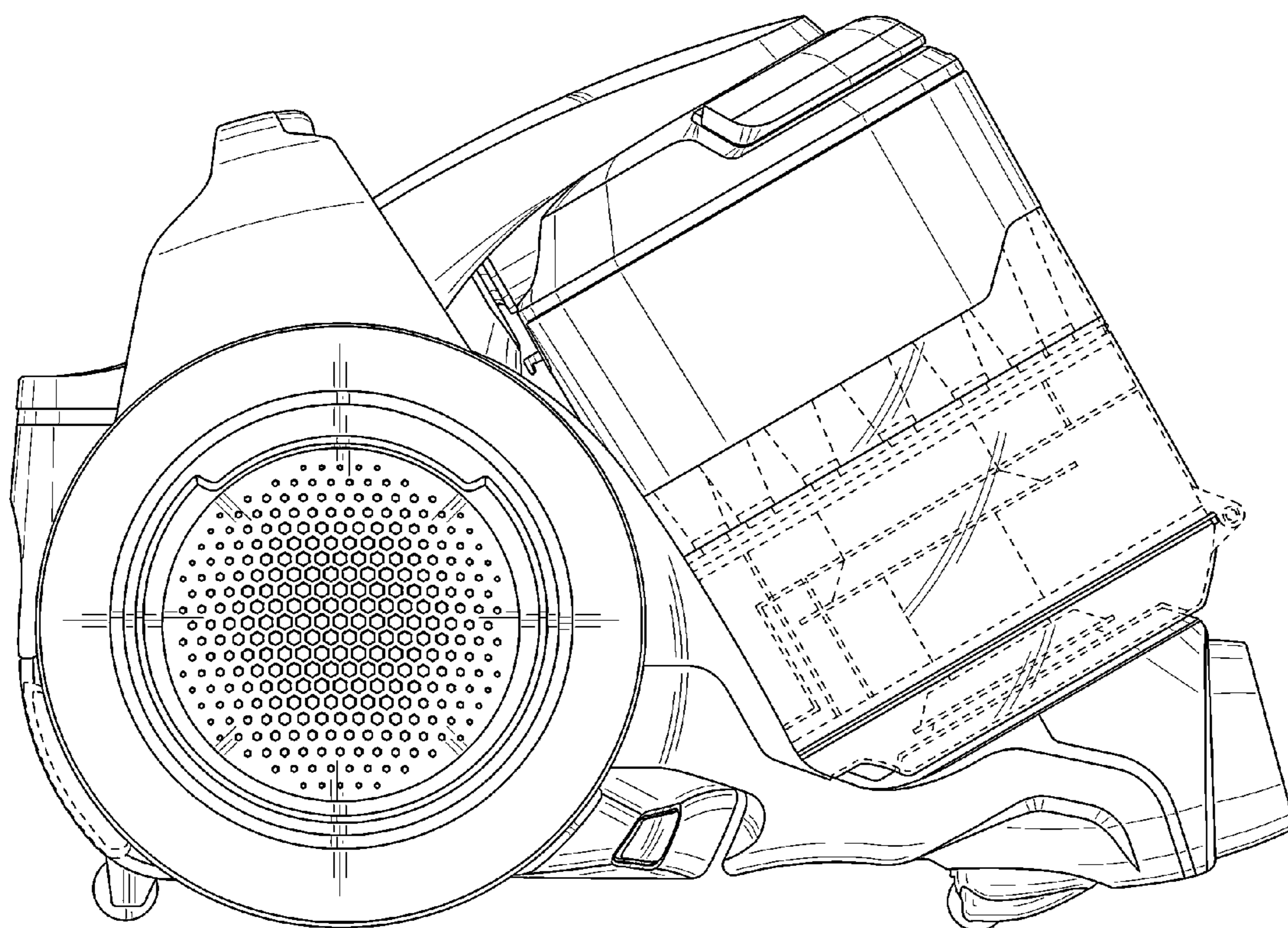


FIG. 5

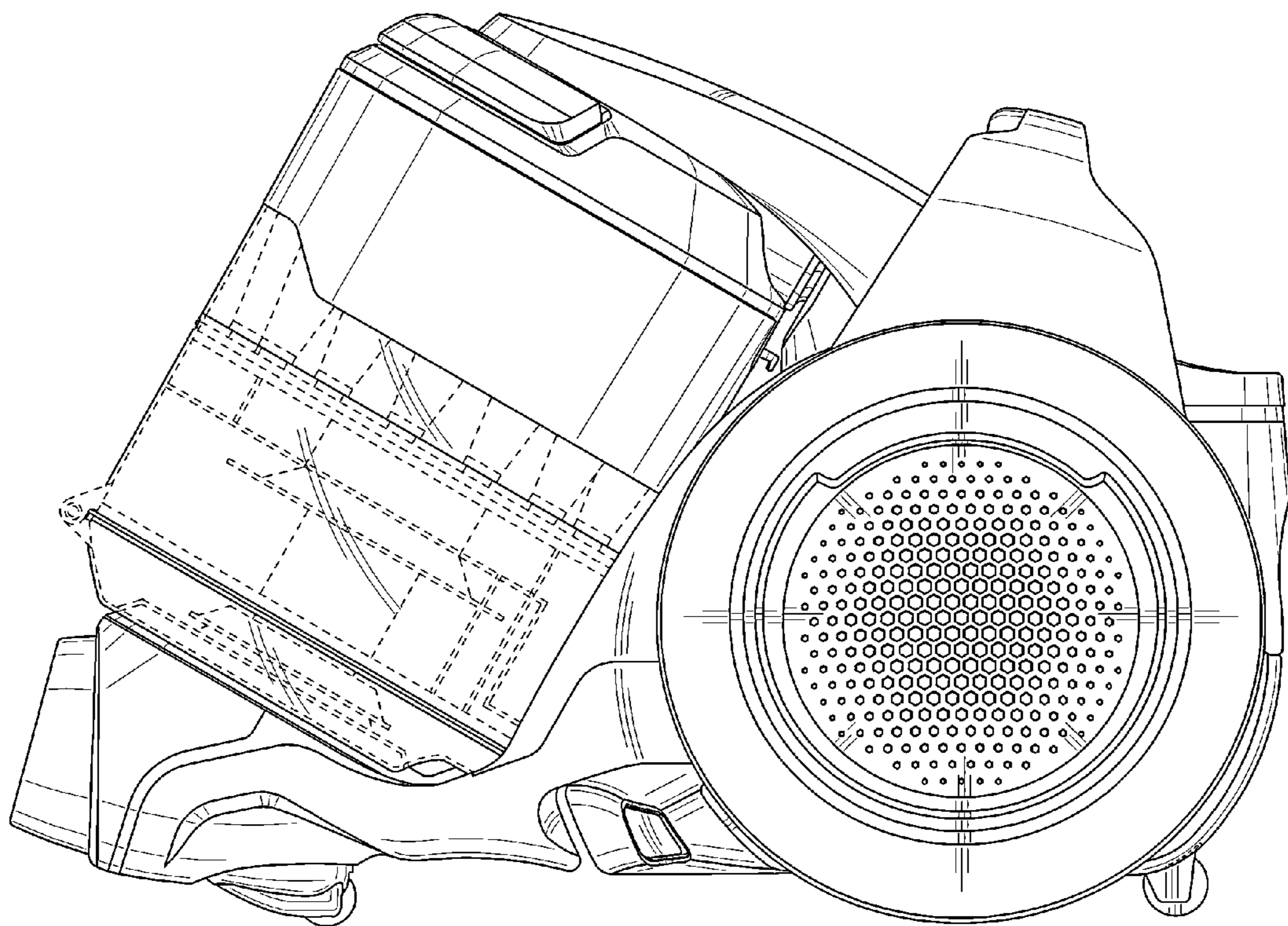




FIG. 6

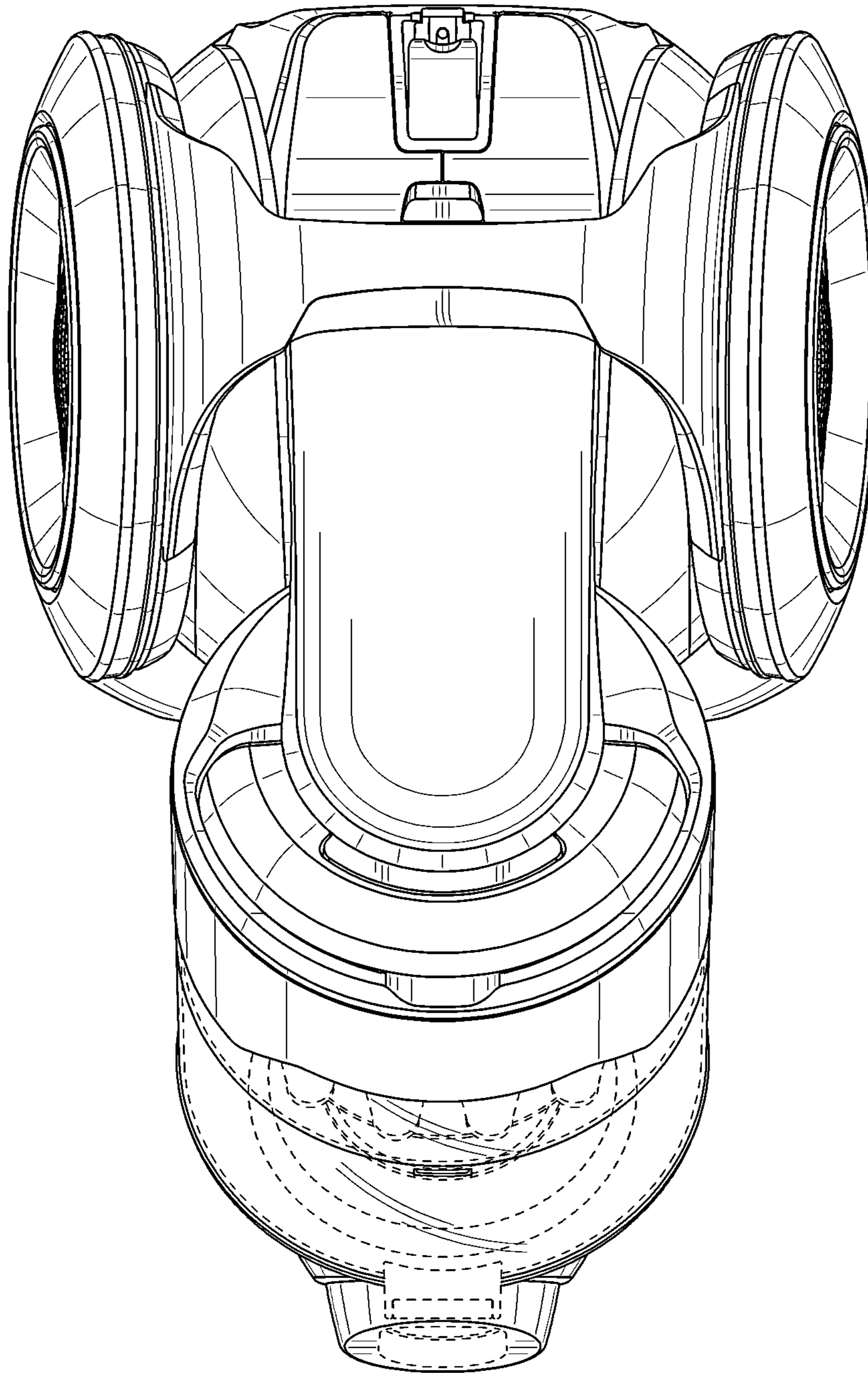


FIG. 7

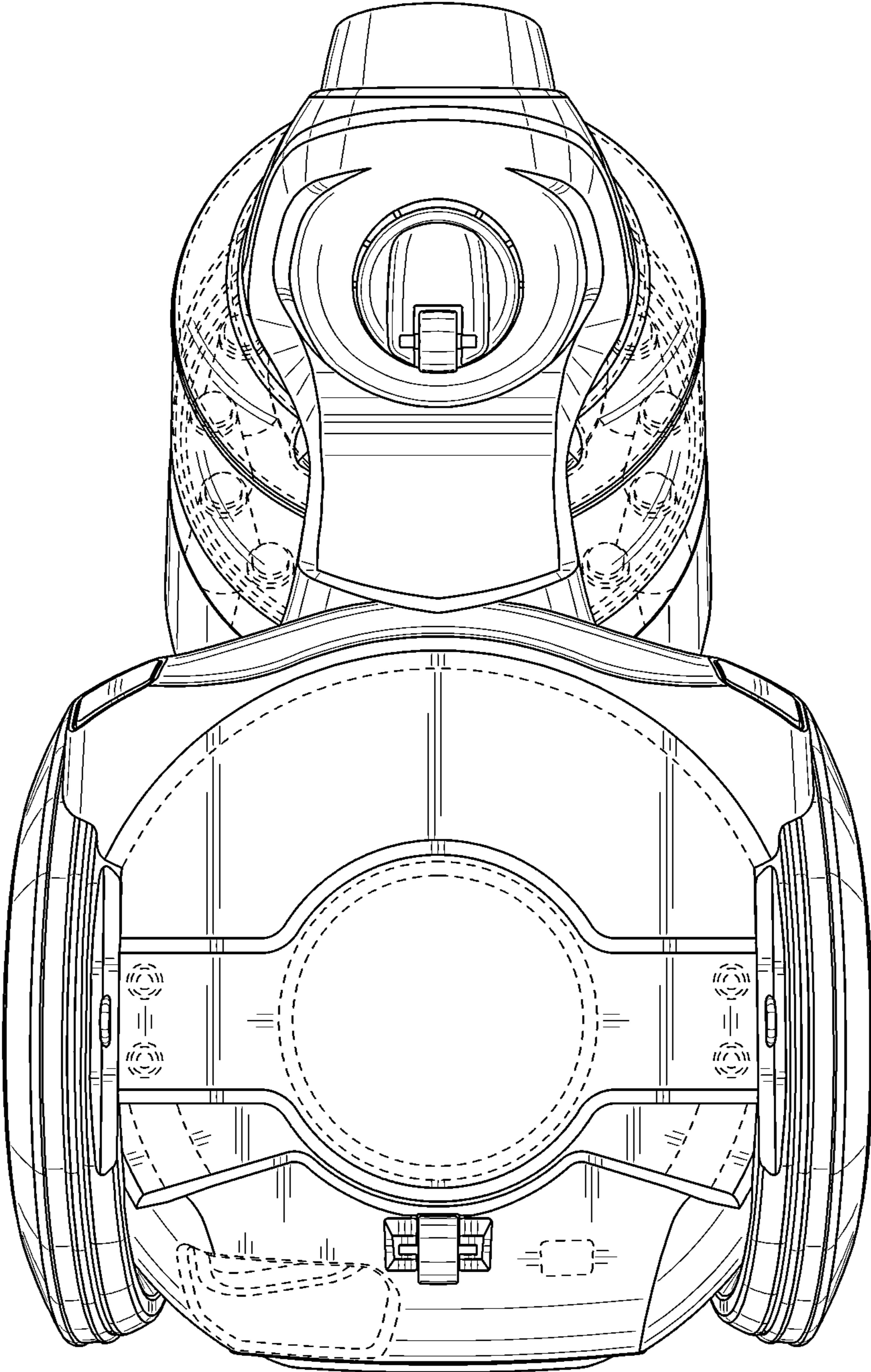




FIG. 8

