

US00D723751S

(12) **United States Design Patent**
Palmer

(10) **Patent No.:** **US D723,751 S**
(45) **Date of Patent:** **** Mar. 3, 2015**

- (54) **PET BOWL**
- (71) Applicant: **Robert Dinsmore Palmer**, Arcadia, CA (US)
- (72) Inventor: **Robert Dinsmore Palmer**, Arcadia, CA (US)
- (**) Term: **14 Years**
- (21) Appl. No.: **29/480,390**
- (22) Filed: **Jan. 24, 2014**
- (51) **LOC (10) Cl.** **30-03**
- (52) **U.S. Cl.**
USPC **D30/130**
- (58) **Field of Classification Search**
USPC D30/121, 122, 129-133; 119/61.5, 119/51.01, 61.56, 51.03, 59, 62, 63, 51.5, 119/57.8, 74, 61.54, 61.55; 312/204; 248/151, 188; 108/156, 153.1-157; 220/23.87, 630, 737, 743, 9.4, 495.01, 220/574, 212, 255, 23.83; 206/515; D7/586, 543, 550.1, 587, 505, 584, D7/545, 500, 553.1-553.8, 546, 555, 556, D7/504, 565, 562, 602; D9/429; 43/109; D22/122; 99/430, DIG. 15
See application file for complete search history.

- 3,631,840 A * 1/1972 McCormack 119/51.12
- 3,785,348 A * 1/1974 Polidori et al. 119/62
- 3,810,446 A * 5/1974 Kightlinger et al. 119/61.55
- 3,935,837 A * 2/1976 Mulhern 119/51.12
- D259,669 S * 6/1981 Peterson D30/130
- 4,473,031 A * 9/1984 Bobeczko 119/51.12
- D286,333 S * 10/1986 Fassauer D30/130
- D287,404 S * 12/1986 Johansson et al. D24/121
- D294,531 S * 3/1988 Neunzig D30/130
- 4,798,173 A * 1/1989 Wilgren 119/61.52
- 4,908,066 A * 3/1990 Taylor et al. 108/26
- 4,953,506 A * 9/1990 Sanders 119/61.53
- D313,489 S * 1/1991 Conner D30/130
- 5,009,310 A * 4/1991 Finney 206/229
- D323,411 S * 1/1992 Oathout D30/130
- 5,105,768 A * 4/1992 Johnson 119/61.56
- D326,742 S * 6/1992 Tart D30/130

(Continued)

Primary Examiner — Susan Moon Lee
(74) *Attorney, Agent, or Firm* — QuickPatents; Kevin Prince

(57) **CLAIM**
I claim the ornamental design for a pet bowl, as shown and described.

DESCRIPTION

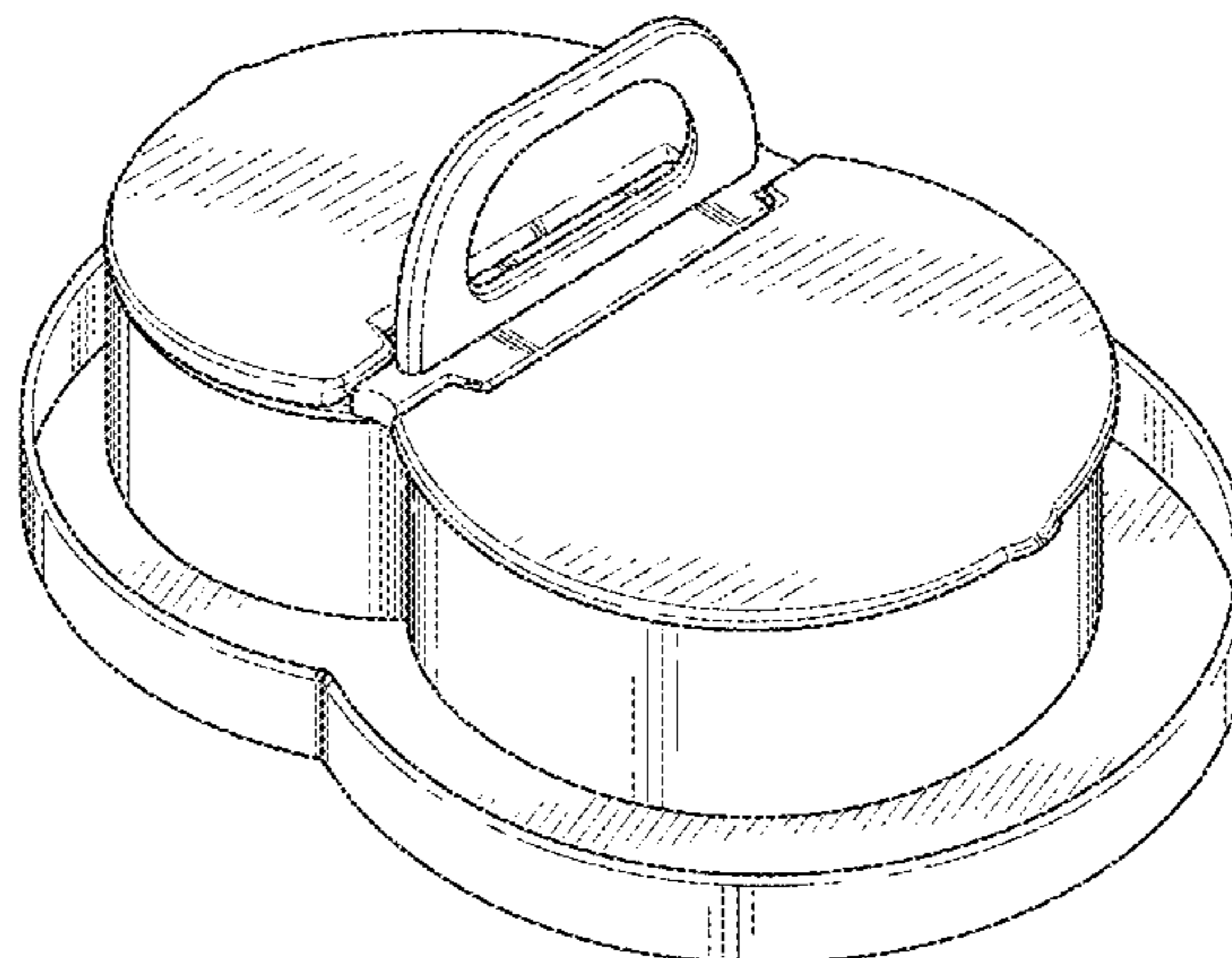
FIG. 1 is a perspective view of a pet bowl, showing my new design in an open configuration;
FIG. 2 is a front elevational view thereof;
FIG. 3 is a rear elevational view thereof;
FIG. 4 is a left-side elevational view thereof;
FIG. 5 is a right-side elevational view thereof;
FIG. 6 is a top plan view thereof;
FIG. 7 is a bottom plan view thereof;
FIG. 8 is a perspective view of the petbowl in a closed configuration;
FIG. 9 is a front elevational view thereof;
FIG. 10 is a rear elevational view thereof;
FIG. 11 is a left-side elevational view thereof;
FIG. 12 is a rear elevational view thereof;
FIG. 13 is a top plan view thereof; and,
FIG. 14 is a bottom plan view thereof.

1 Claim, 6 Drawing Sheets

(56) **References Cited**

U.S. PATENT DOCUMENTS

- D64,456 S * 4/1924 Karpeles D3/294
- D105,450 S * 7/1937 Clifton D30/130
- 2,191,811 A * 2/1940 Trampier, Sr. 119/51.5
- 2,542,400 A * 2/1951 Donofrio 248/362
- 2,554,086 A * 5/1951 Block 119/51.5
- 2,623,369 A * 12/1952 Haydu 248/362
- 2,677,350 A * 5/1954 Prestidge et al. 119/61.53
- 3,176,656 A * 4/1965 Bates 119/62
- 3,232,274 A * 2/1966 Chatfield et al. 119/51.12
- 3,308,835 A * 3/1967 Silverberg et al. 220/263
- 3,391,847 A * 7/1968 Christine et al. 229/123.1
- 3,441,003 A * 4/1969 Lister et al. 119/61.53
- 3,532,075 A * 10/1970 Cooper 119/51.12



(56)

References Cited

U.S. PATENT DOCUMENTS

5,209,184 A * 5/1993 Sharkan et al. 119/61.56
 D342,806 S * 12/1993 Jones et al. D28/73
 D351,263 S * 10/1994 Evans D30/129
 5,423,451 A * 6/1995 Snyder 220/574
 D362,090 S * 9/1995 Baldwin et al. D30/130
 5,458,087 A * 10/1995 Prior et al. 119/51.5
 5,546,894 A * 8/1996 St-Pierre 119/61.55
 5,577,461 A * 11/1996 Sebastian et al. 119/51.5
 5,632,228 A * 5/1997 Ybarra 119/51.5
 D379,684 S * 6/1997 Dennis D30/130
 5,641,140 A * 6/1997 Sorenson 248/205.3
 5,752,464 A * 5/1998 King et al. 119/63
 5,775,255 A * 7/1998 Louviere, III 119/51.5
 D402,425 S * 12/1998 Lacz et al. D30/121
 5,857,427 A * 1/1999 Kelley 119/61.56
 D417,366 S * 12/1999 Obra D7/549
 D447,290 S * 8/2001 Huai D30/129
 D448,296 S * 9/2001 Bried et al. D9/449
 6,401,656 B1 * 6/2002 Adkisson 119/51.01
 6,443,096 B1 * 9/2002 Prydie 119/61.56
 D464,886 S * 10/2002 Bried et al. D9/504
 6,478,277 B2 * 11/2002 Winquest 248/346.01
 D478,693 S * 8/2003 Steinbacher D30/130
 6,644,241 B2 * 11/2003 Brown 119/61.5
 D490,577 S * 5/2004 Steinbacher et al. D30/130
 D497,041 S * 10/2004 Plante D30/130
 D506,854 S * 6/2005 Baker D30/133
 D512,801 S * 12/2005 Kratzer et al. D30/130
 D514,751 S * 2/2006 Plante D30/130
 D522,362 S * 6/2006 Liebe D9/449
 7,073,461 B2 * 7/2006 Gonet 119/61.5
 7,234,417 B2 * 6/2007 Laird 119/61.57
 7,263,949 B1 * 9/2007 Seaford 119/51.5
 7,387,082 B1 * 6/2008 Fried 119/61.5
 7,392,761 B2 * 7/2008 Kujawa et al. 119/61.5
 D579,618 S * 10/2008 Wang et al. D34/7
 D602,653 S * 10/2009 Mendenhall D30/130

D603,106 S * 10/2009 Ragonetti et al. D30/130
 7,637,390 B2 * 12/2009 Bocola 220/849
 7,685,966 B2 * 3/2010 Goehring 119/51.02
 D618,860 S * 6/2010 Friedland et al. D30/129
 D621,560 S * 8/2010 McMurphy D30/133
 D622,011 S * 8/2010 Yowell D30/129
 7,878,148 B2 * 2/2011 Swenson et al. 119/61.5
 D636,539 S * 4/2011 Montoya D30/129
 D640,546 S * 6/2011 Berggren D9/428
 D649,869 S * 12/2011 Gibson et al. D9/421
 D650,269 S * 12/2011 Berggren D9/428
 D653,000 S * 1/2012 Rutherford D30/130
 D660,693 S * 5/2012 Berggren D9/428
 D664,308 S * 7/2012 Crystal D30/130
 D667,175 S * 9/2012 McMurphy D30/133
 D681,886 S * 5/2013 Paschall et al. D30/129
 8,458,996 B2 * 6/2013 Bried et al. 53/471
 D698,653 S * 2/2014 Schumaier D9/504
 D700,407 S * 2/2014 Paschall et al. D30/129
 D702,404 S * 4/2014 Leung et al. D30/129
 8,807,082 B1 * 8/2014 Alfonso 119/61.53
 D712,263 S * 9/2014 Humm et al. D9/449
 2005/0173272 A1 * 8/2005 Lemmons 206/256
 2006/0032451 A1 * 2/2006 Gonet 119/61.5
 2006/0060480 A1 * 3/2006 Budd 206/266
 2006/0130770 A1 * 6/2006 Rokos 119/61.5
 2006/0144340 A1 * 7/2006 Burge et al. 119/61.5
 2006/0201434 A1 * 9/2006 Kujawa et al. 119/61.5
 2007/0151010 A1 * 7/2007 Ellerbe 4/300.3
 2008/0011236 A1 * 1/2008 Paez 119/61.53
 2008/0105205 A1 * 5/2008 Goehring 119/51.02
 2008/0216753 A1 * 9/2008 Wang 119/61.1
 2008/0264345 A1 * 10/2008 Kujawa et al. 119/61.5
 2008/0302307 A1 * 12/2008 Bertsch et al. 119/61.5
 2008/0314326 A1 * 12/2008 Albert 119/61.56
 2010/0170447 A1 * 7/2010 Pridgen, Jr. 119/61.53
 2010/0242847 A1 * 9/2010 Gray 119/61.54
 2011/0283947 A1 * 11/2011 Linke 119/61.53
 2014/0190419 A1 * 7/2014 Harding 119/51.5

* cited by examiner

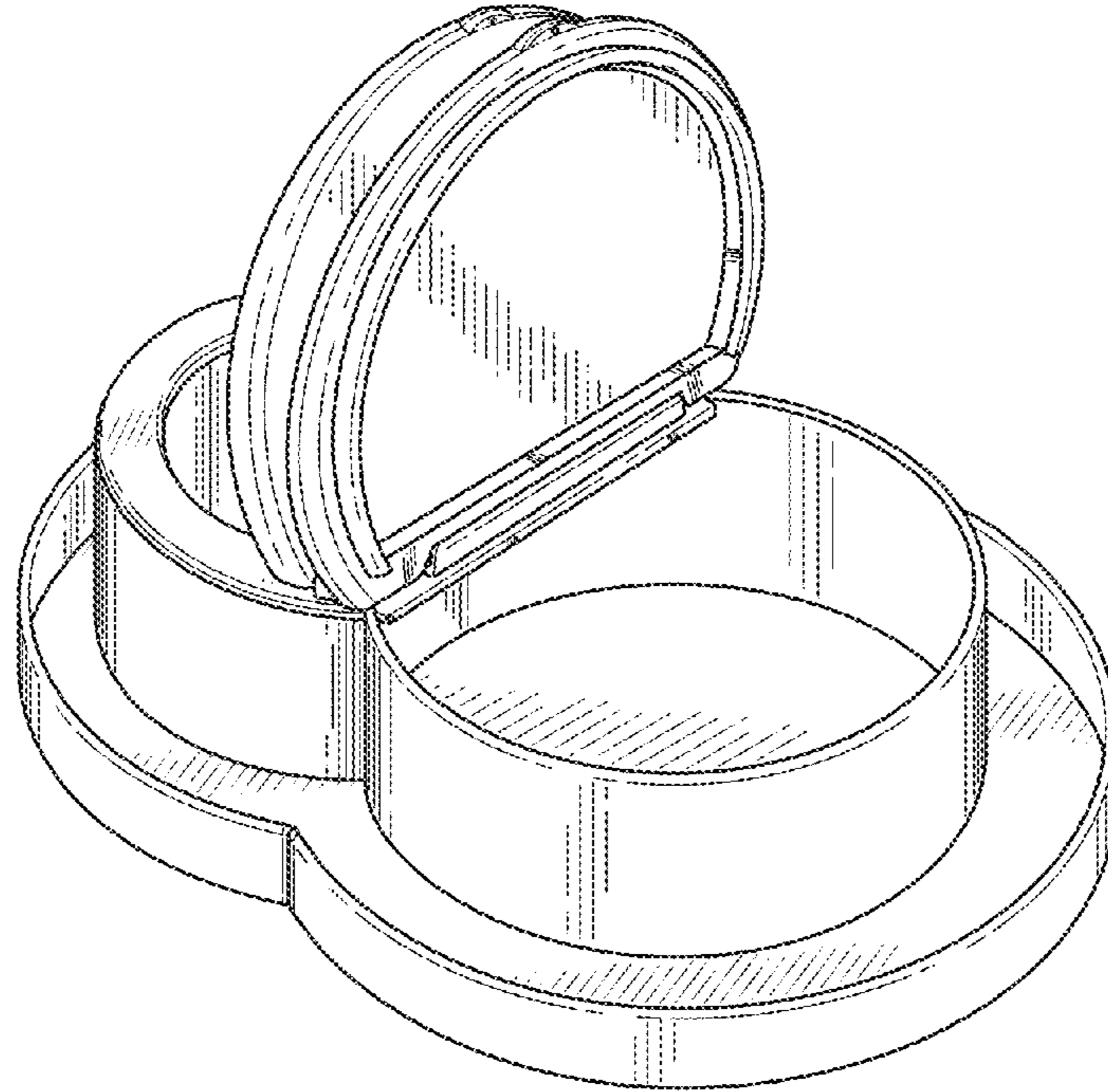


FIG. 1

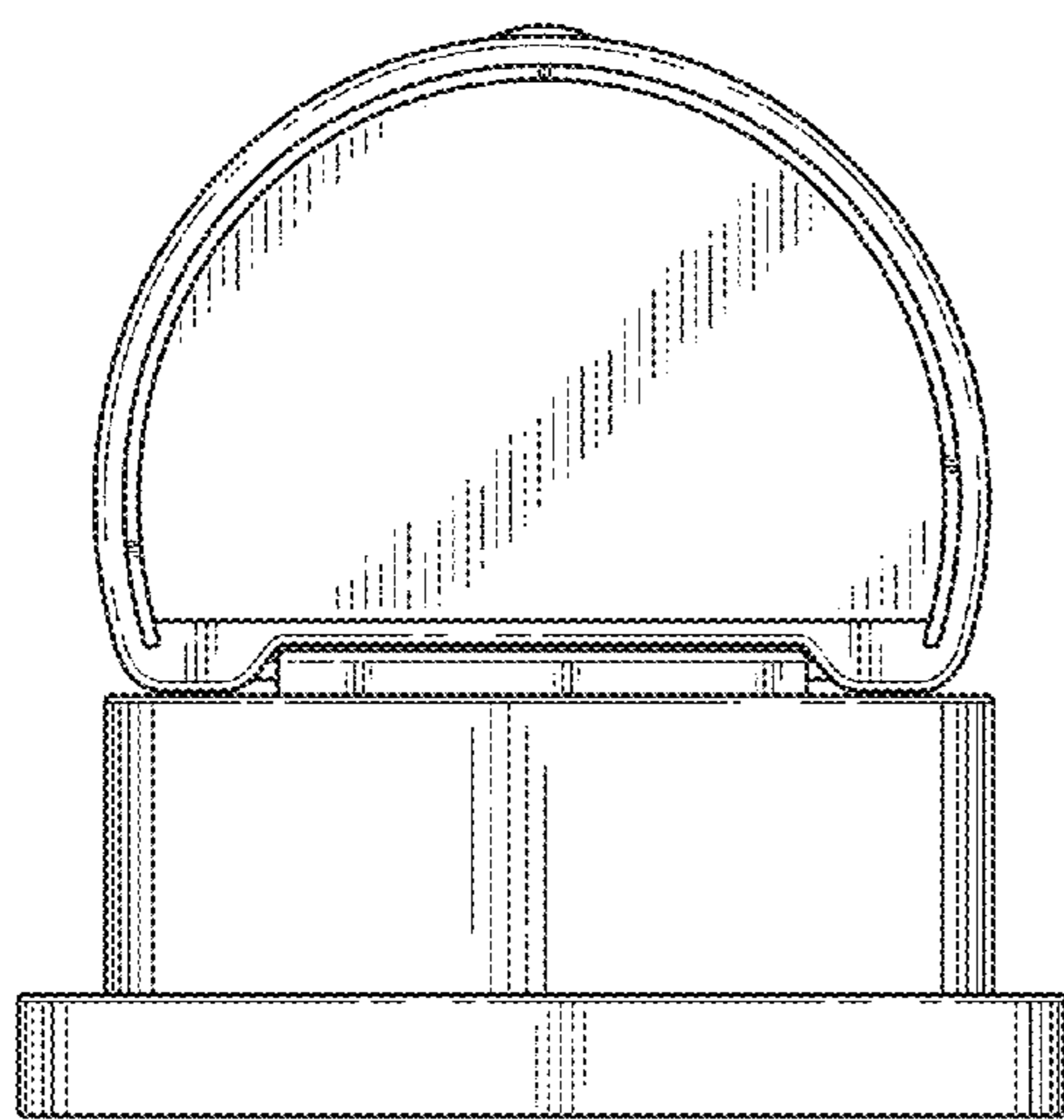


FIG. 2

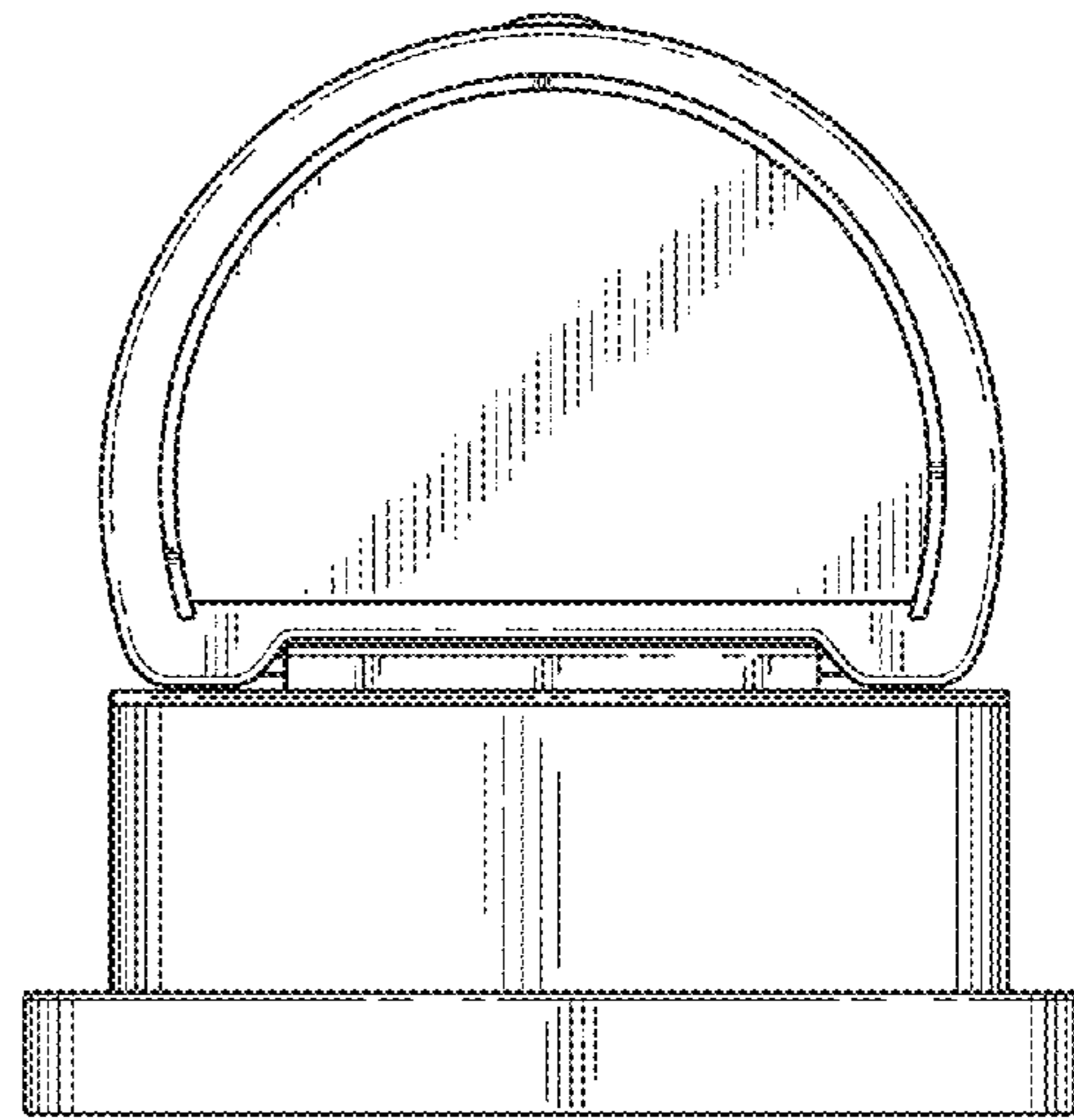


FIG. 3

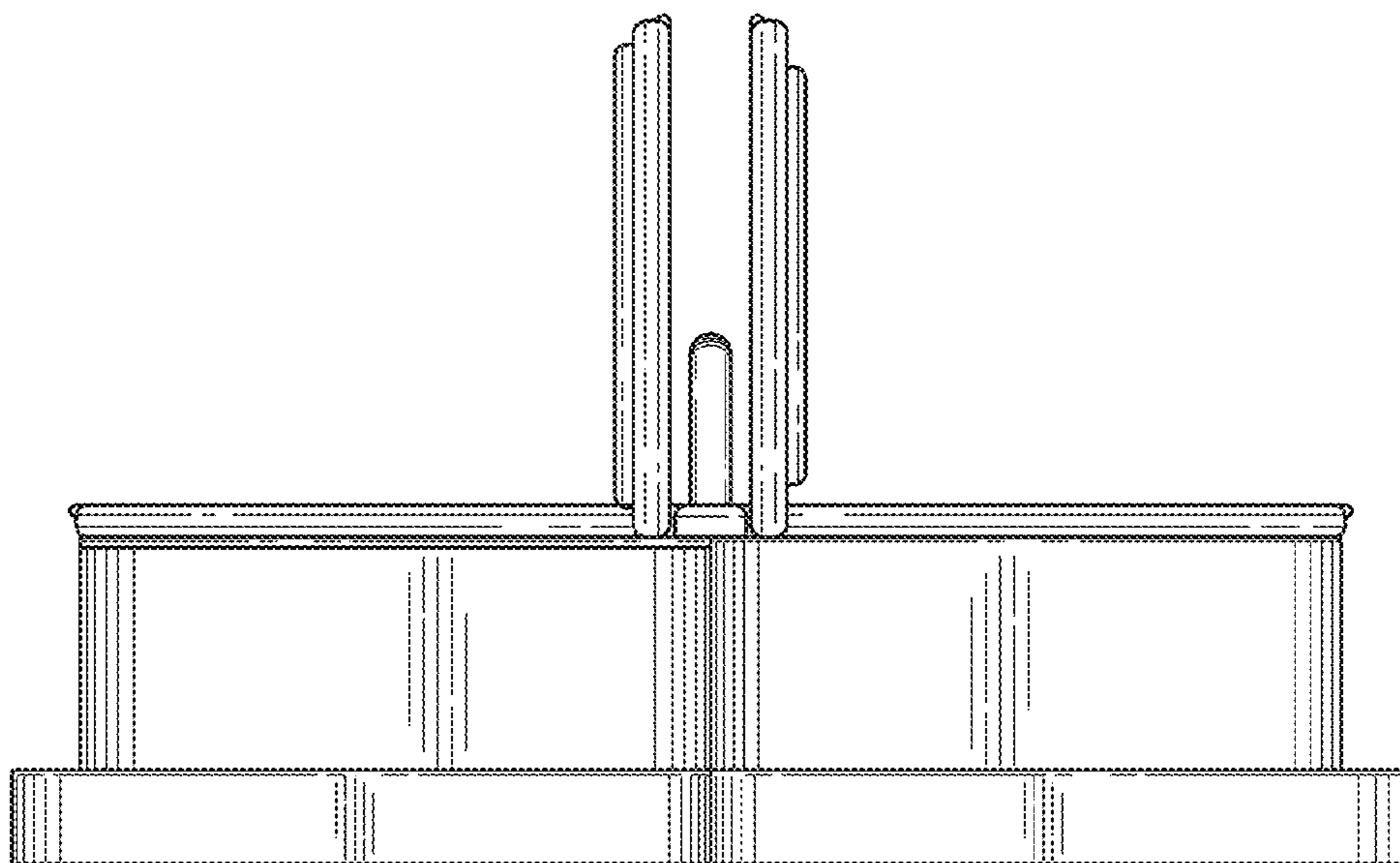


FIG. 4

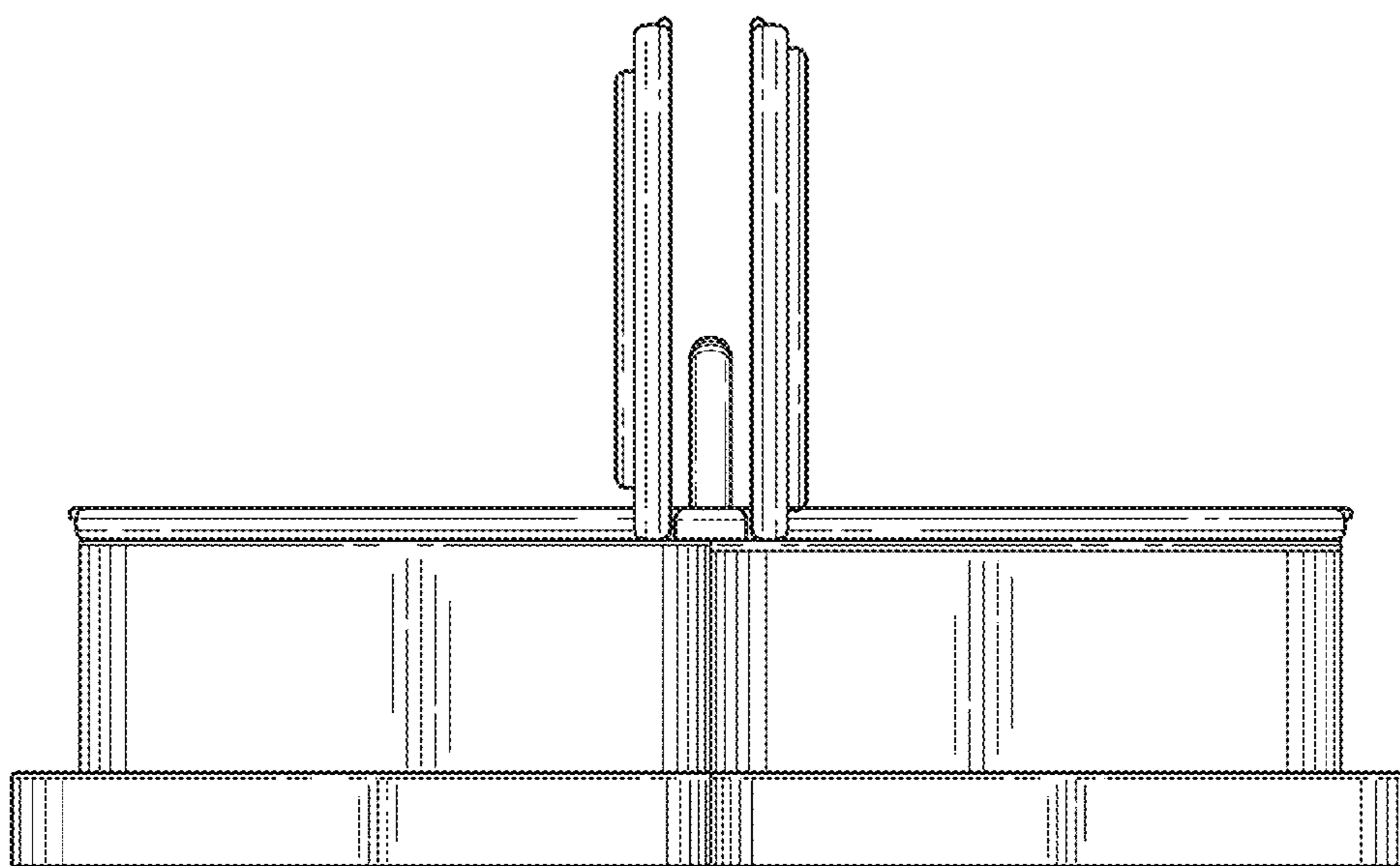


FIG. 5

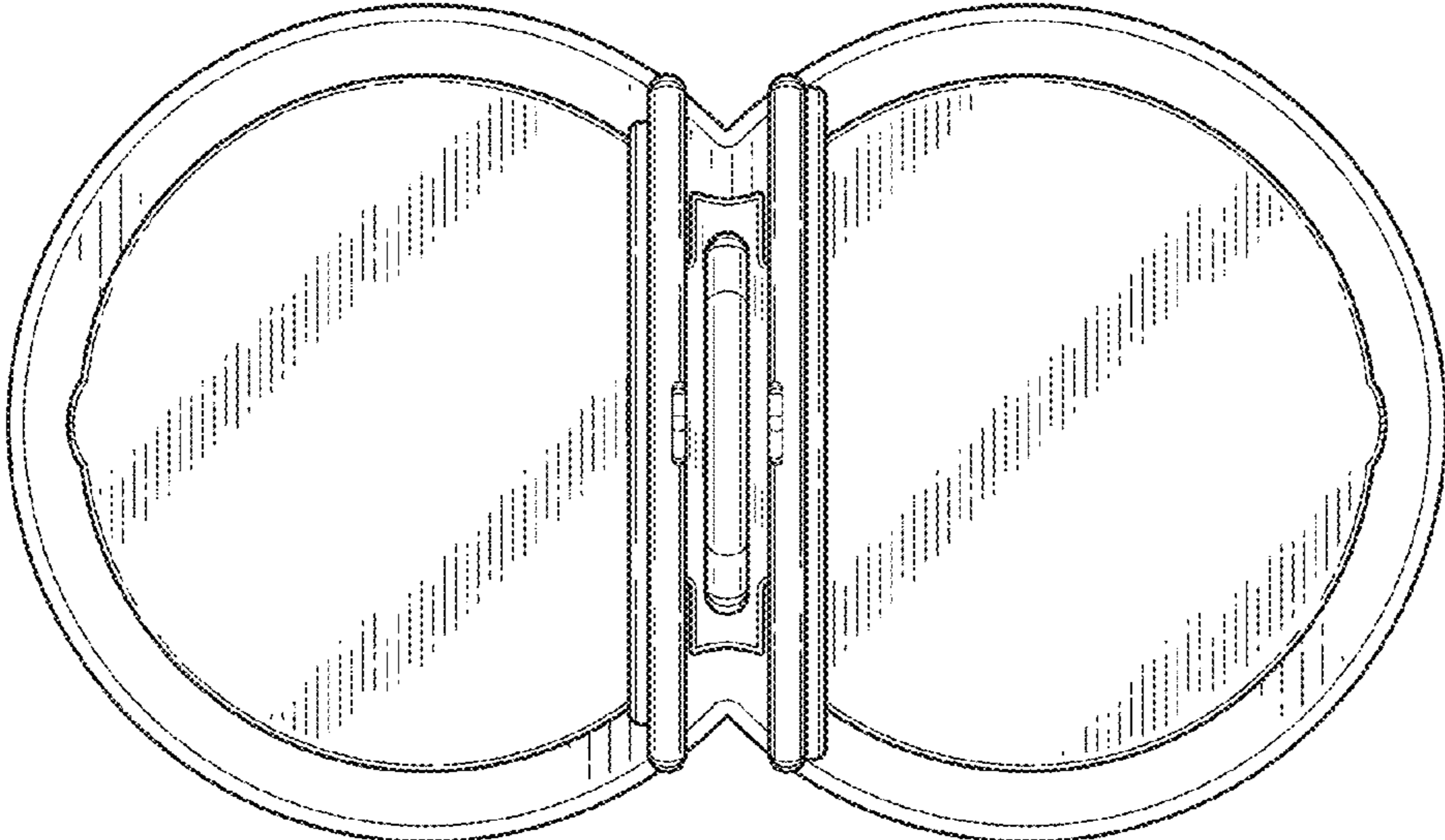


FIG. 6

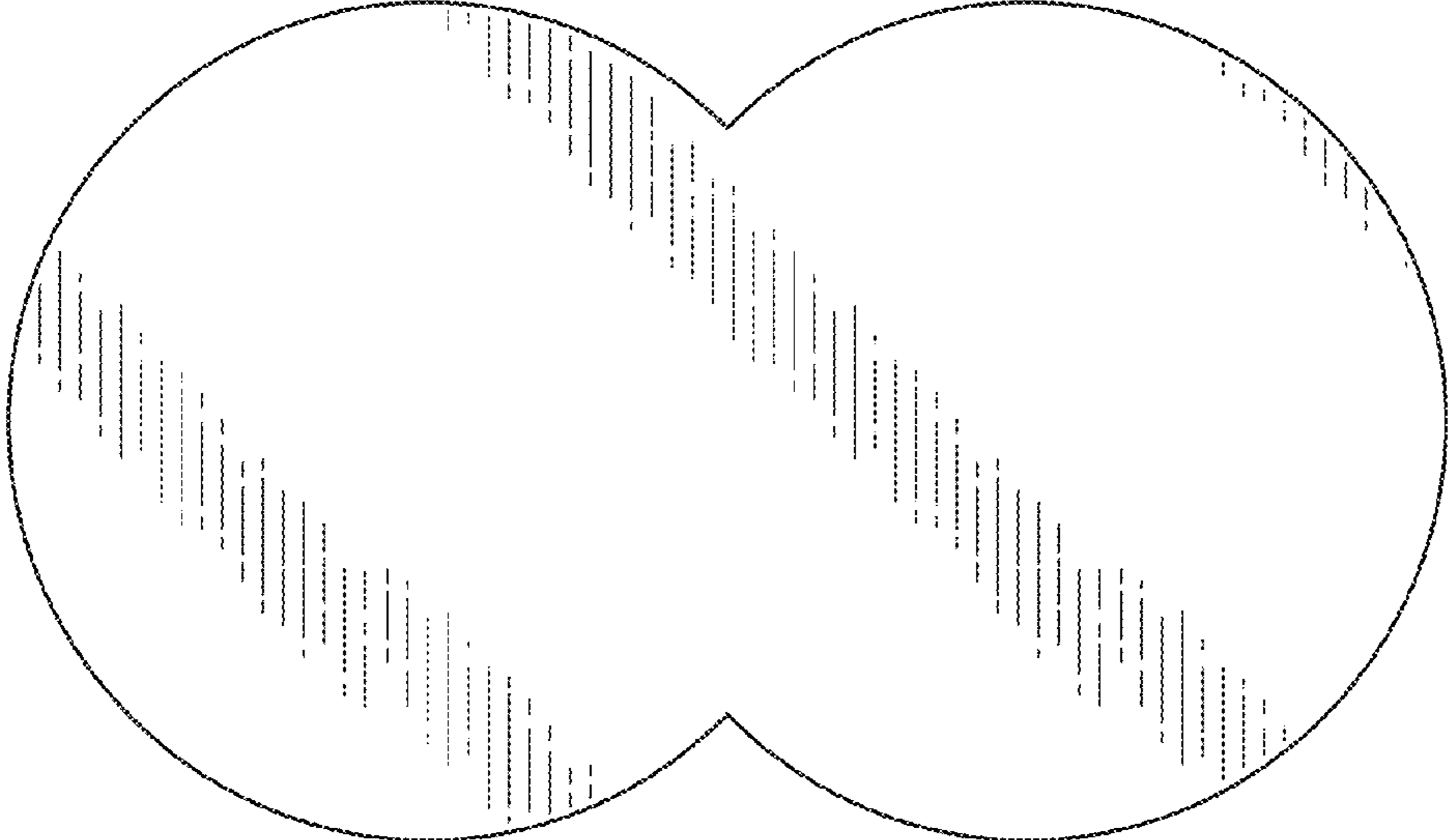


FIG. 7

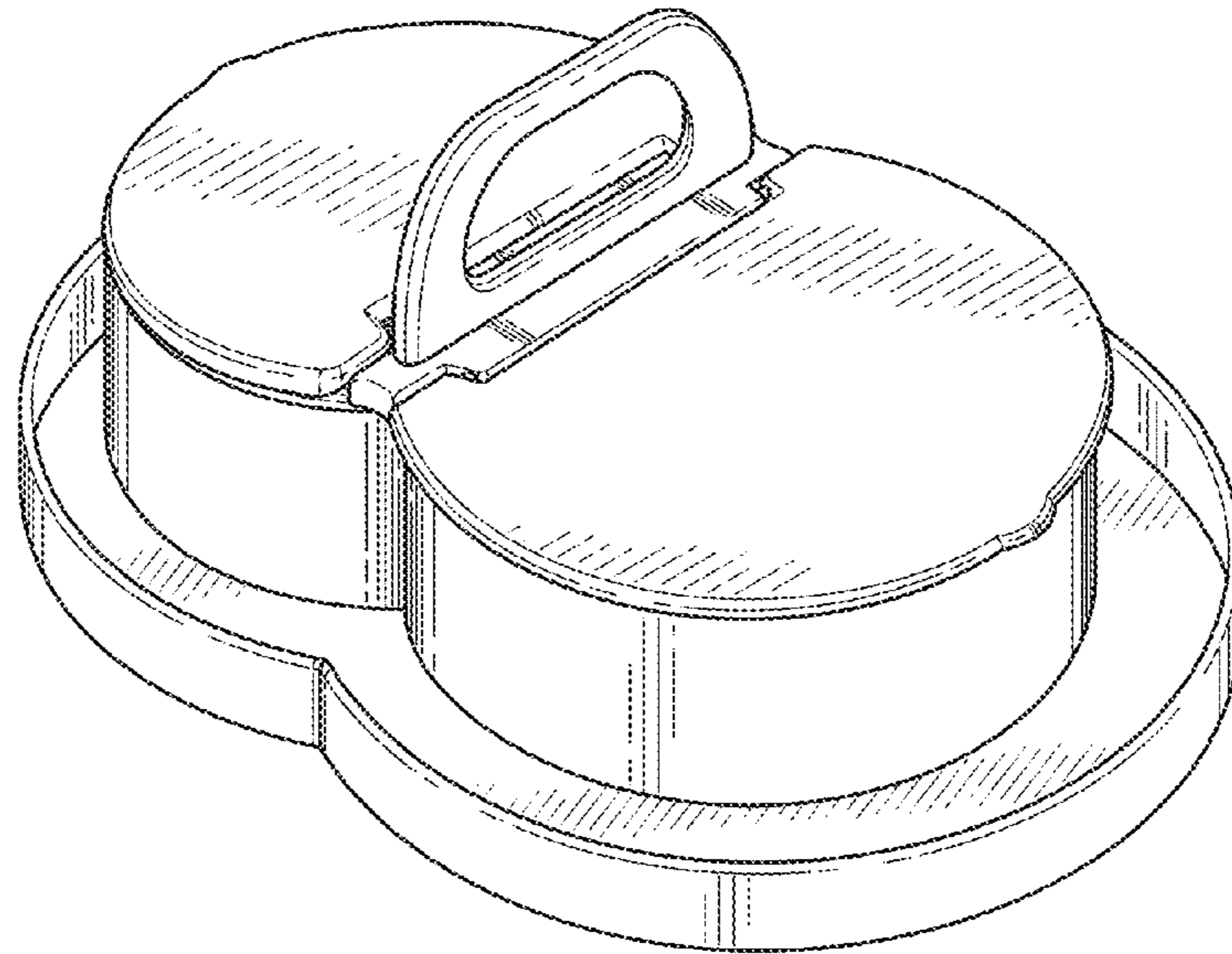


FIG. 8

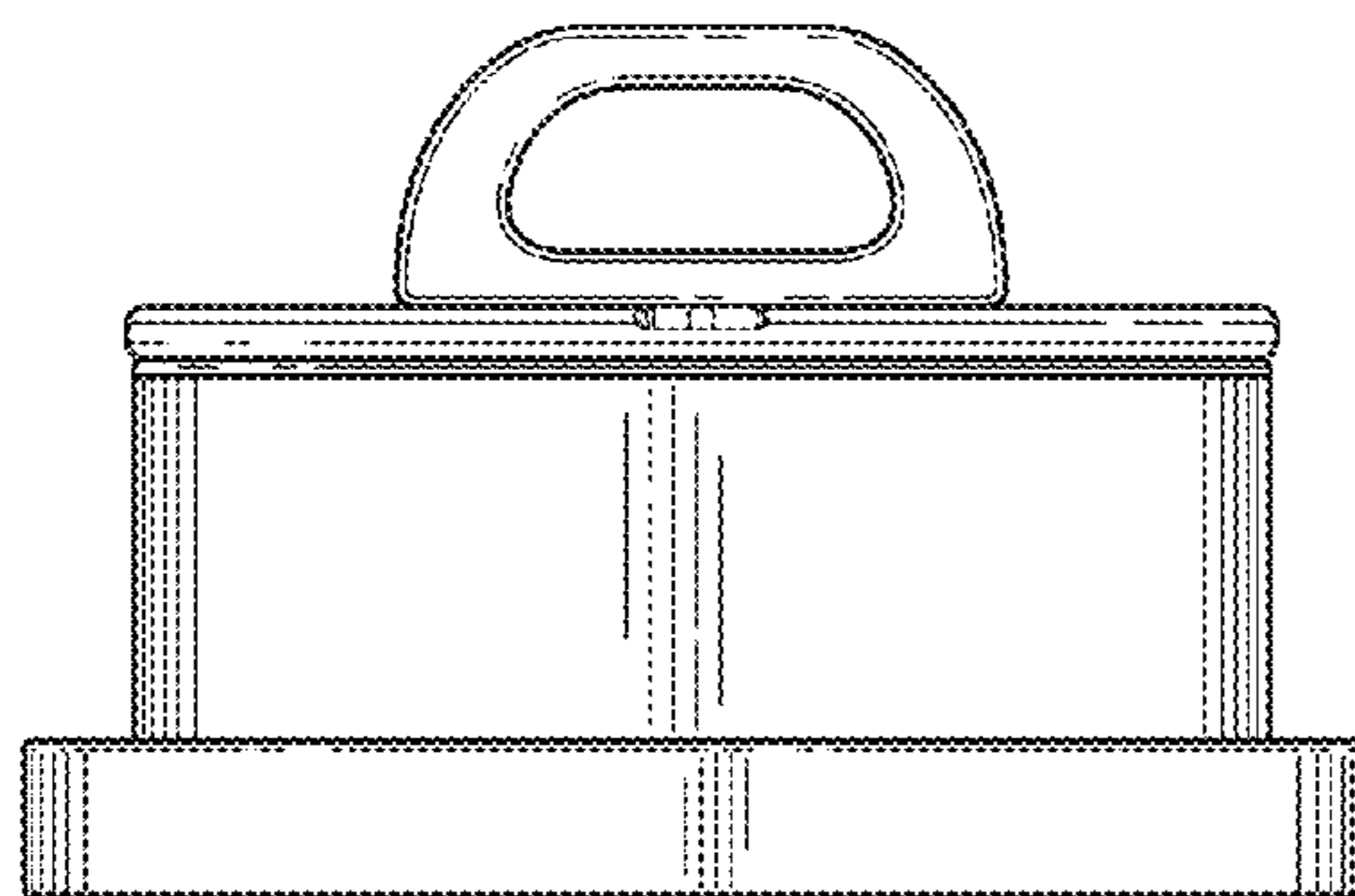


FIG. 9

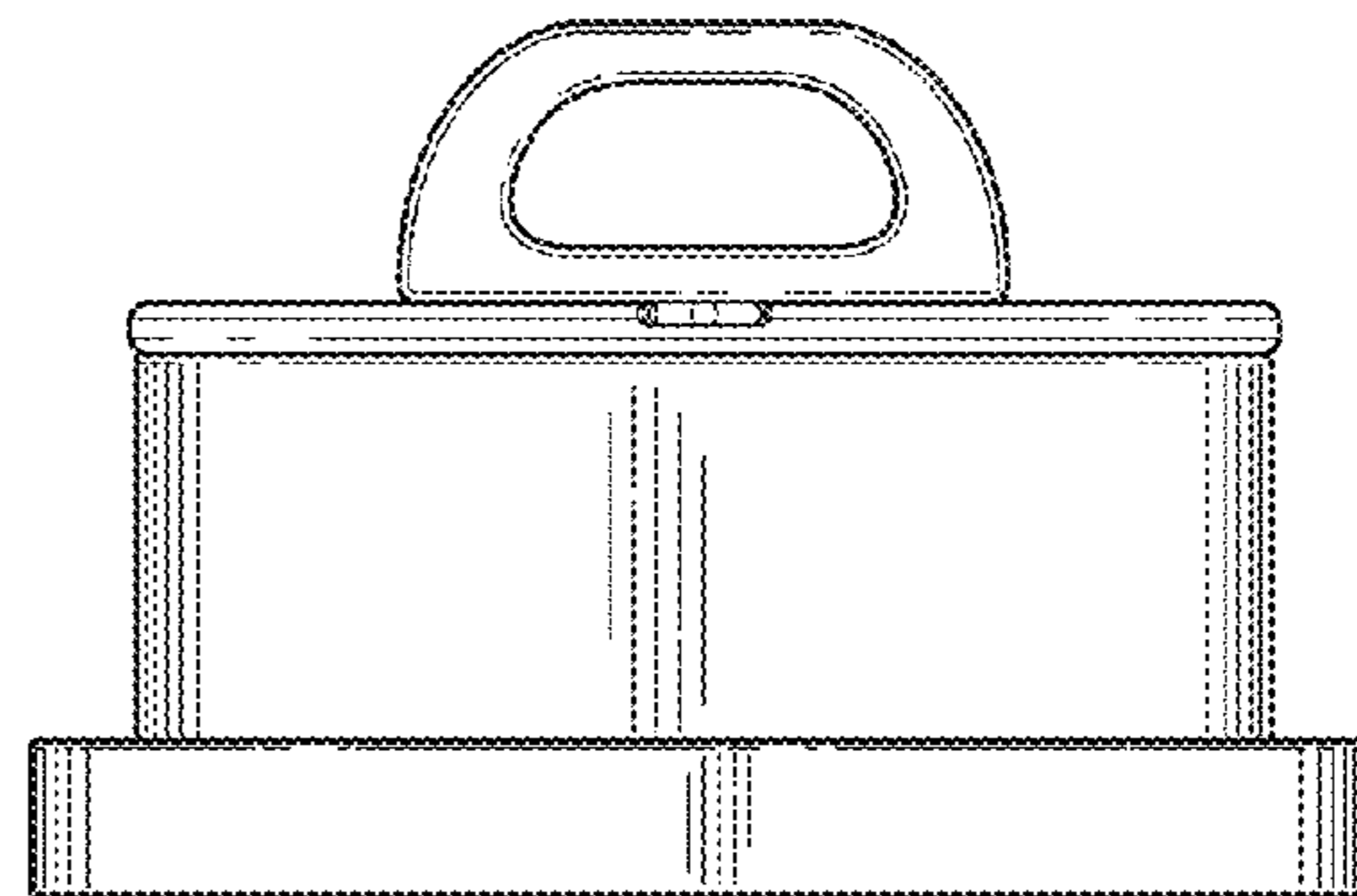


FIG. 10

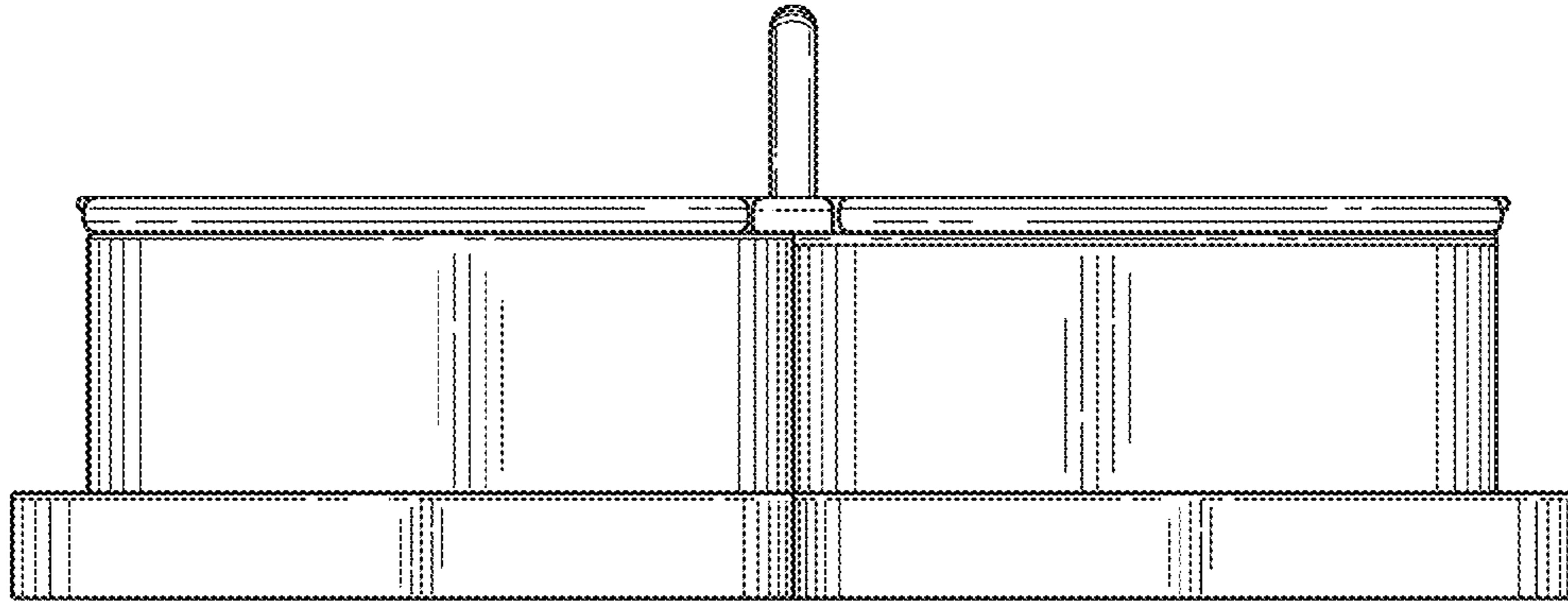


FIG. 11

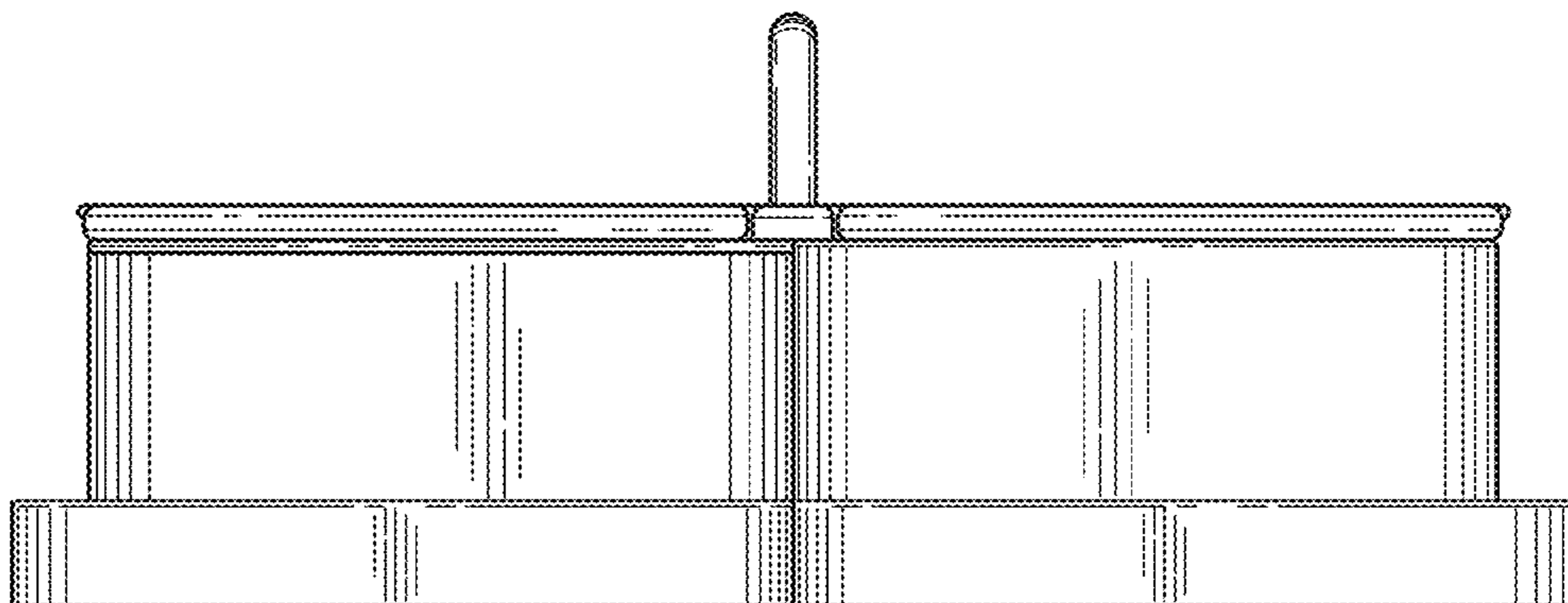


FIG. 12

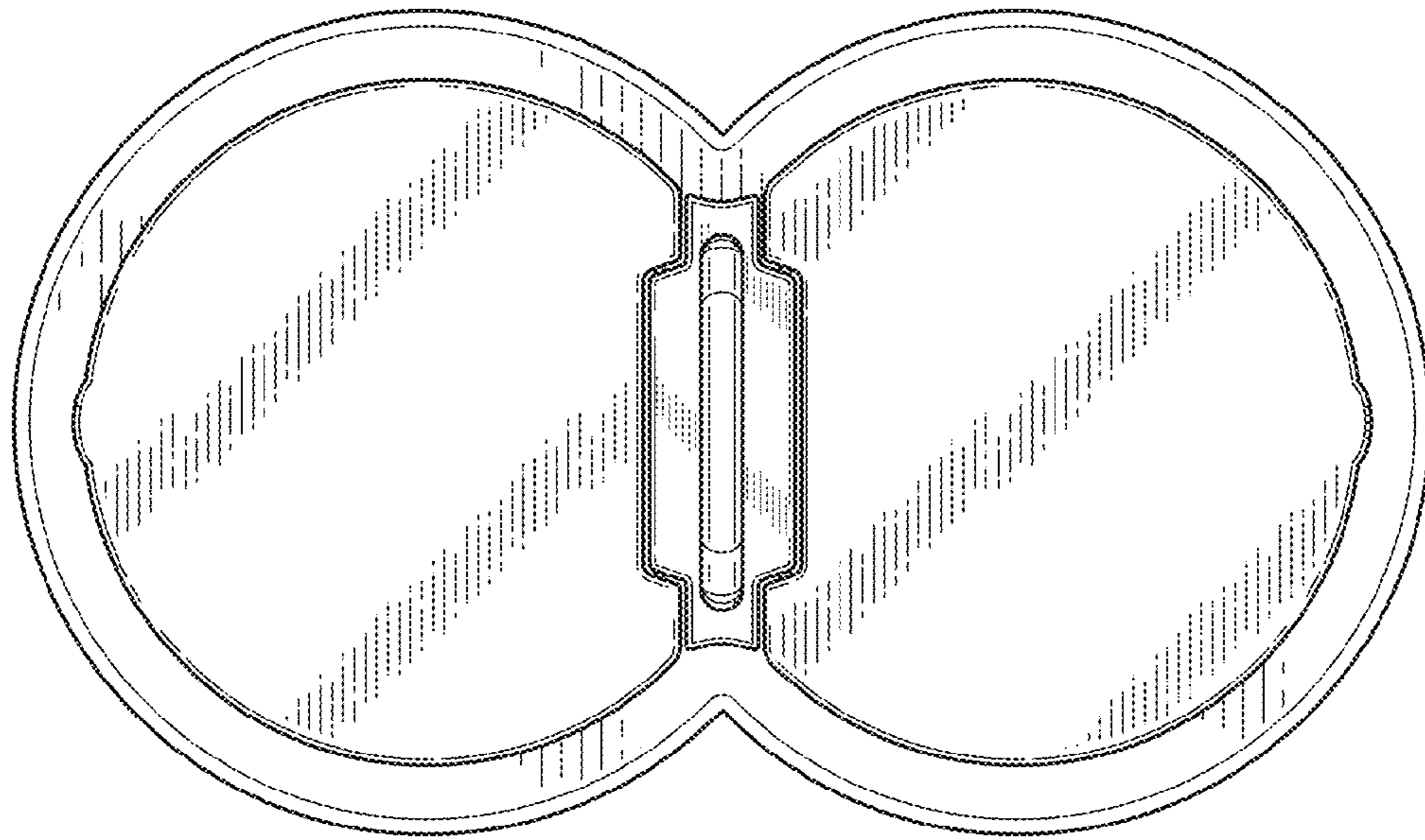


FIG. 13

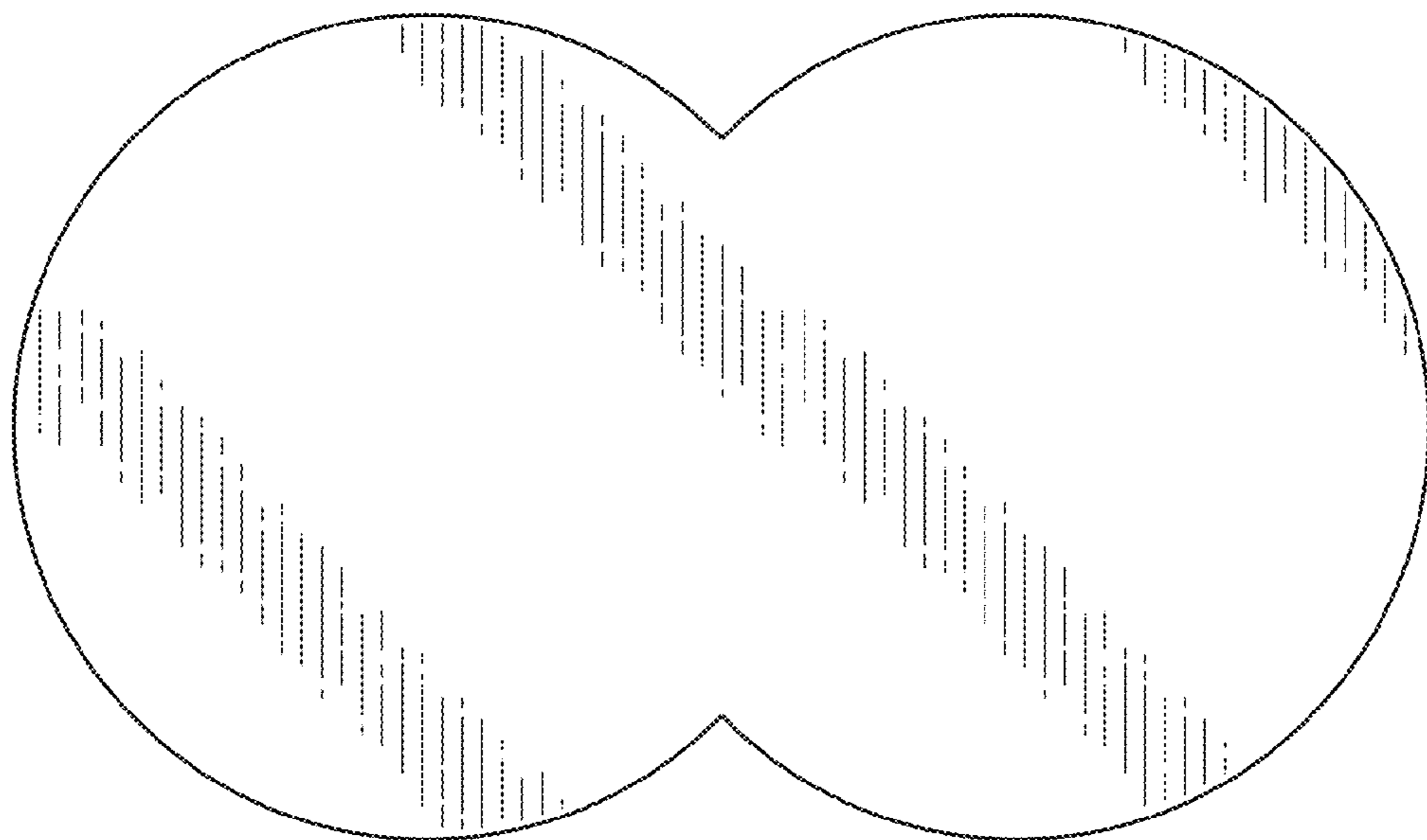


FIG. 14