



US00D723746S

(12) **United States Design Patent**
Jakubowski et al.

(10) **Patent No.:** **US D723,746 S**
(45) **Date of Patent:** **** Mar. 3, 2015**

(54) **PET STROLLER**

(71) Applicant: **Vermont Juvenile Furniture, Mfg., Inc.**, West Rutland, VT (US)

(72) Inventors: **Kristen A. Jakubowski**, Rutland, VT (US); **Chris Jakubowski**, Rutland, VT (US); **Todd Jakubowski**, Rutland, VT (US)

(73) Assignee: **Vermont Juvenile Furniture, Mfg., Inc.**, West Rutland, VT (US)

(**) Term: **14 Years**

(21) Appl. No.: **29/461,978**

(22) Filed: **Jul. 30, 2013**

(51) **LOC (10) Cl.** **30-02**

(52) **U.S. Cl.**
USPC **D30/109**

(58) **Field of Classification Search**
CPC A01K 1/00; A01K 1/02; A01K 1/03;
A01K 15/02; A01K 29/00; A01K 31/07;
A01K 31/08; B62B 1/00; B62B 3/02; B62B
3/12; B62B 2202/42
USPC D30/108-109; D12/129; 119/452-453,
119/474, 482, 489, 491, 496-498, 500, 513,
119/650, 673, 678, 712, 751
See application file for complete search history.

(56) **References Cited**

U.S. PATENT DOCUMENTS

D422,948 S * 4/2000 Huang D12/129

D445,965 S *	7/2001	Licciardello	D30/109
D453,593 S *	2/2002	Licciardello	D30/109
D475,660 S *	6/2003	Licciardello	D12/129
6,584,937 B1 *	7/2003	Ludolph	119/453
6,786,181 B1 *	9/2004	Leanheart	119/453
D506,417 S *	6/2005	Liao	D12/129
7,090,242 B1 *	8/2006	Sheinall et al.	119/496
D529,844 S *	10/2006	Chen et al.	D12/129
D578,045 S *	10/2008	Liao	D12/129
7,568,450 B2 *	8/2009	Chen	119/496
D661,625 S *	6/2012	Stopp	D12/129
D687,352 S *	8/2013	Shellenberger et al.	D12/129
8,651,063 B1 *	2/2014	Learakos	119/843
2003/0067130 A1 *	4/2003	Gordon	280/47.34

* cited by examiner

Primary Examiner — Cathy A MacCormac

(74) *Attorney, Agent, or Firm* — Volpe and Koenig, P.C.

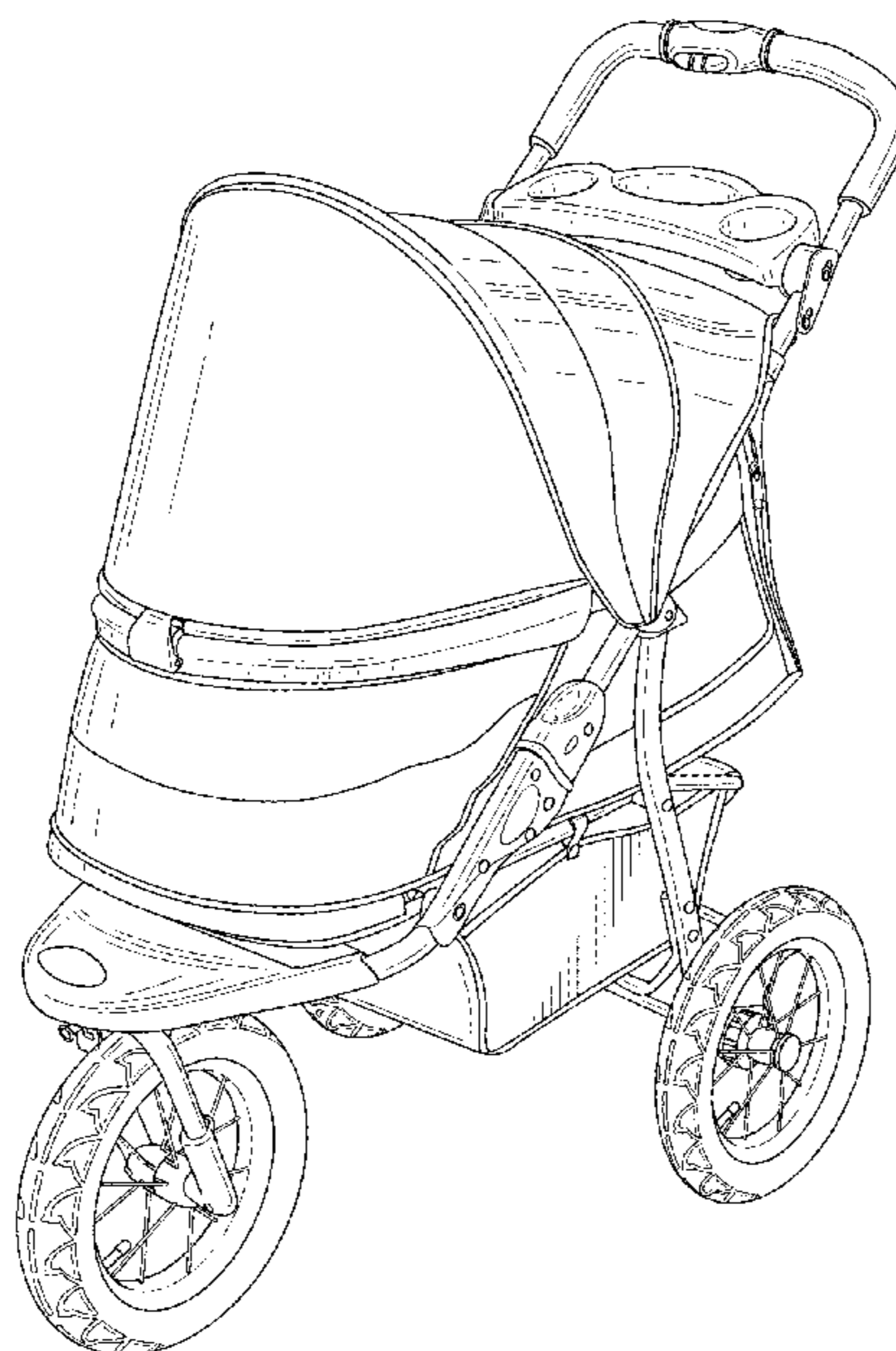
(57) **CLAIM**

The ornamental design for a pet stroller, as shown and described.

DESCRIPTION

FIG. 1 is a top, front, right perspective view of a pet stroller in accordance with our design;
FIG. 2 is a front elevational view thereof;
FIG. 3 is a rear elevational view thereof;
FIG. 4 is a right side elevational view thereof;
FIG. 5 is a left side elevational view thereof;
FIG. 6 is a top plan view thereof; and,
FIG. 7 is a bottom view thereof.

1 Claim, 7 Drawing Sheets



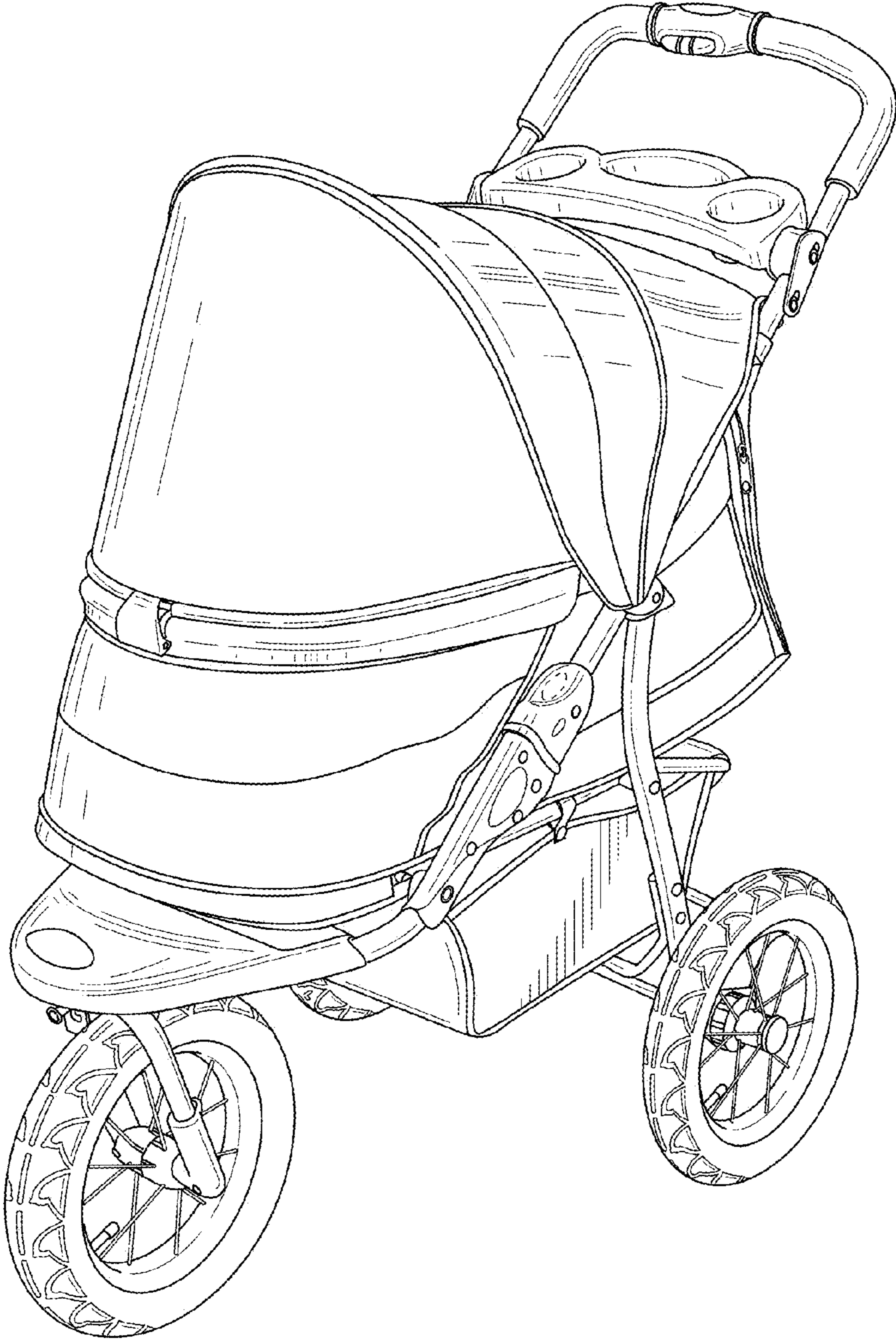


FIG. 1

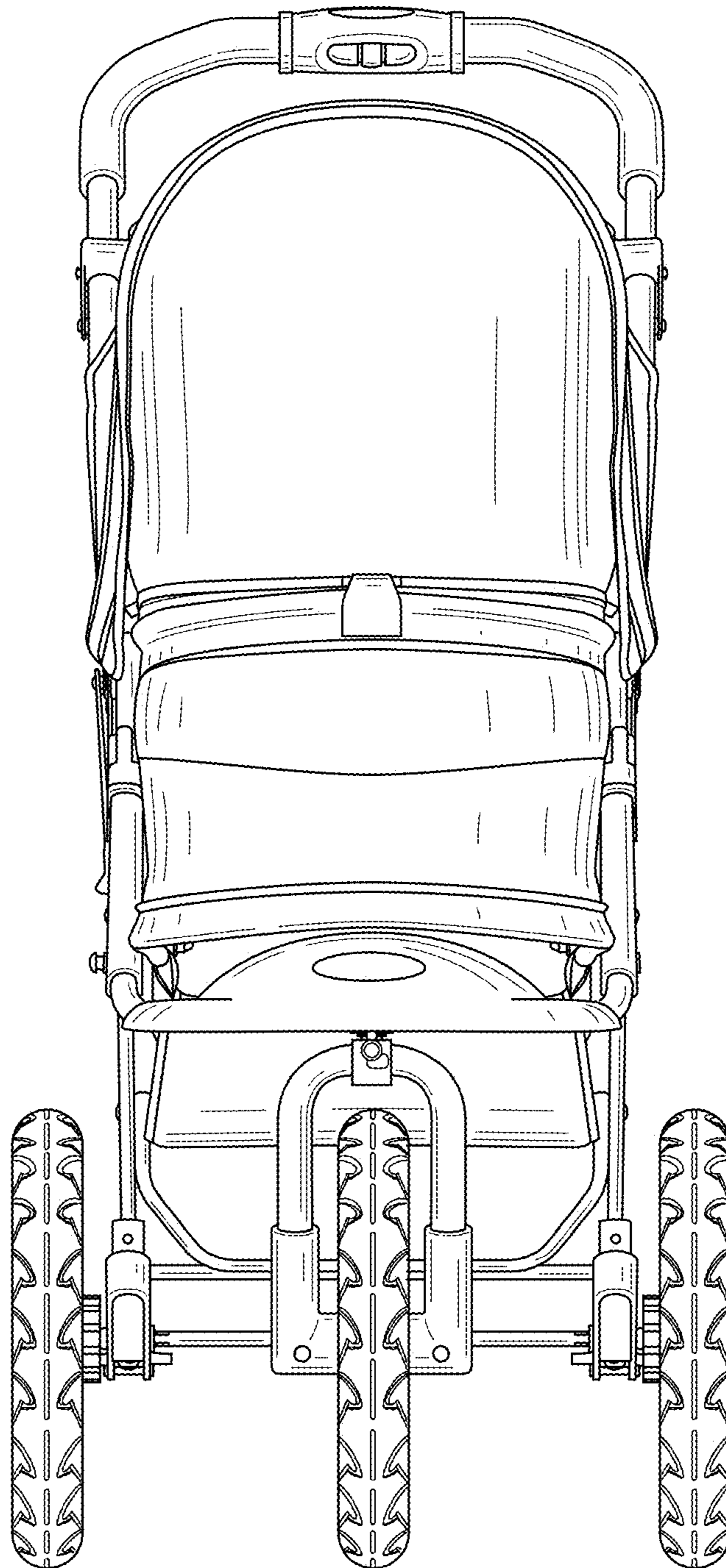


FIG. 2

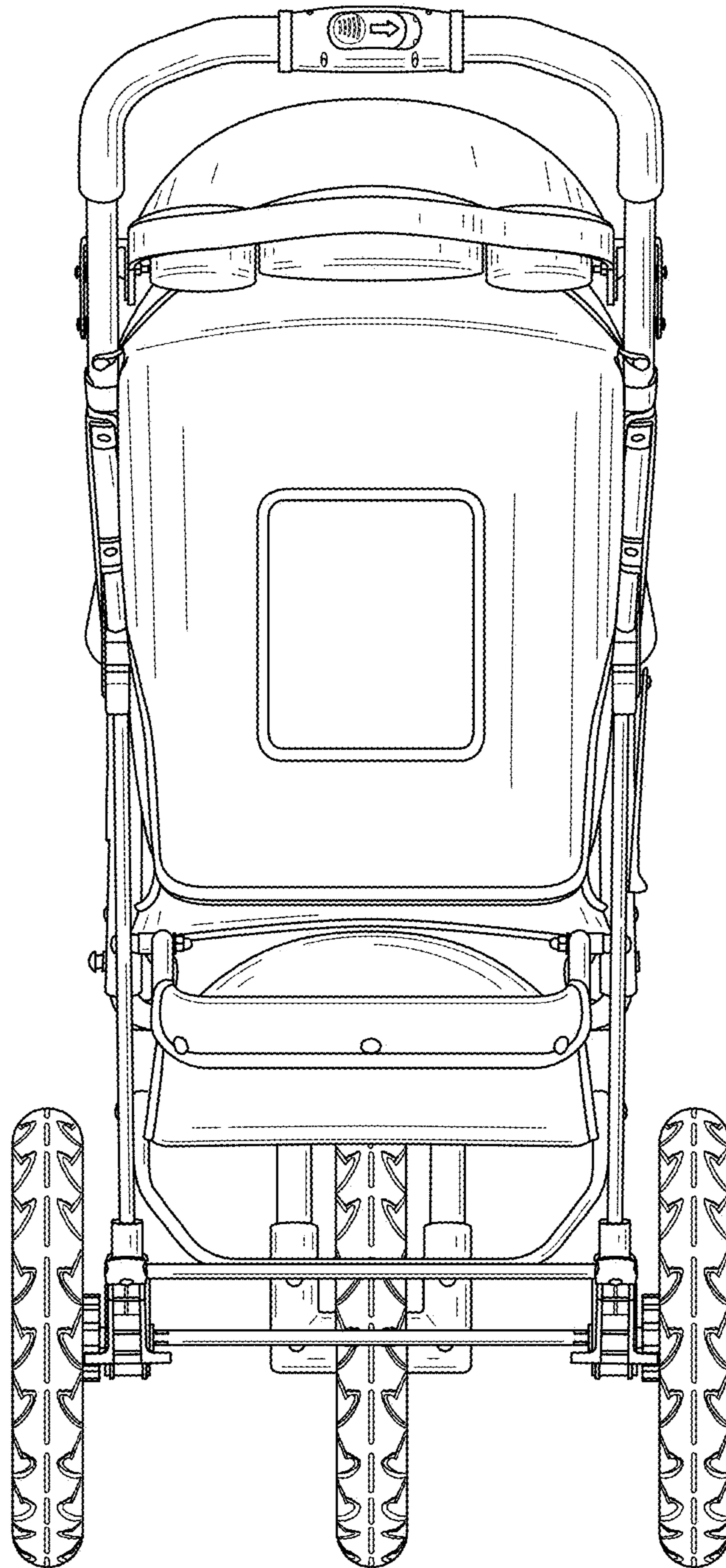


FIG. 3

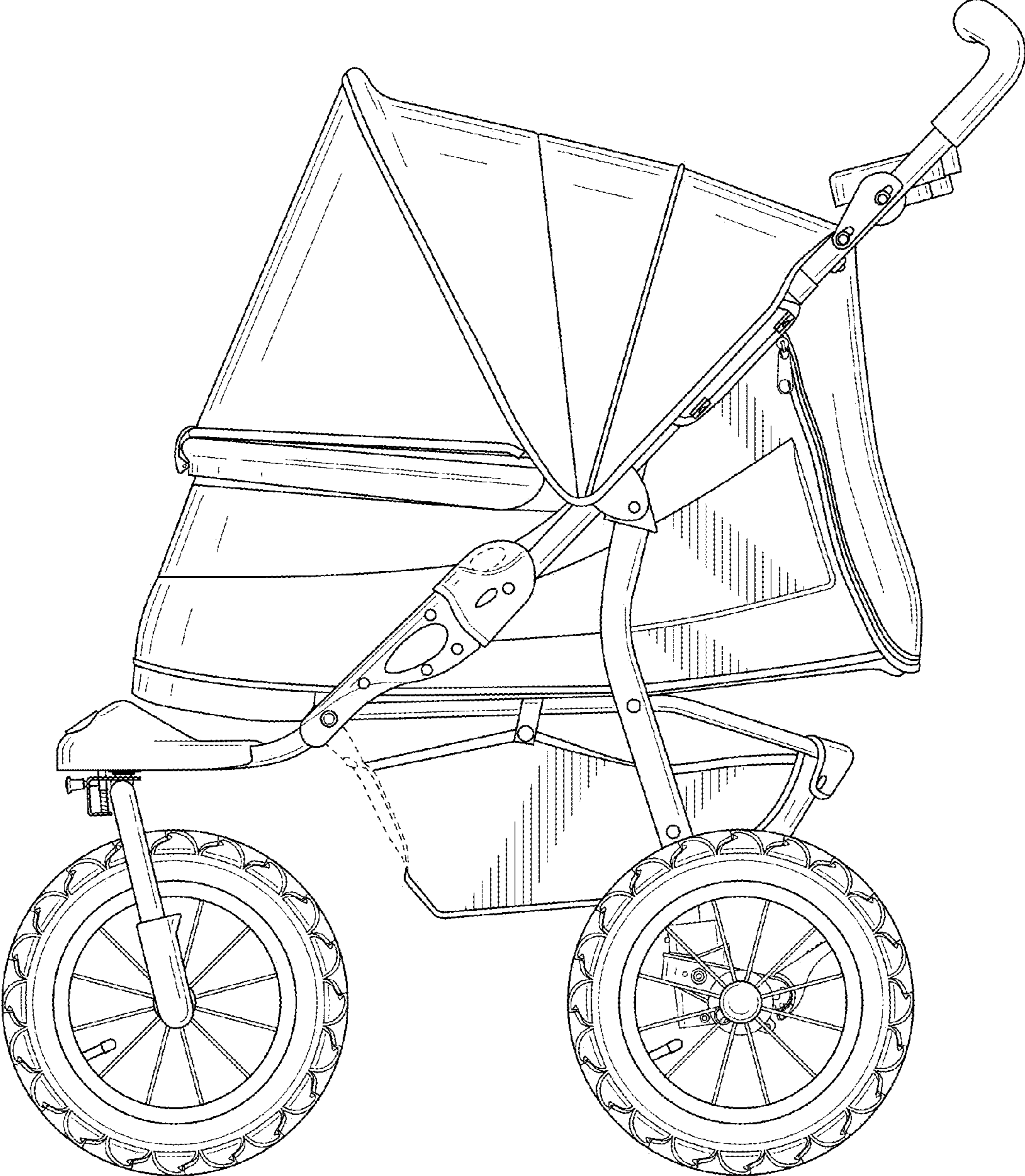


FIG. 4

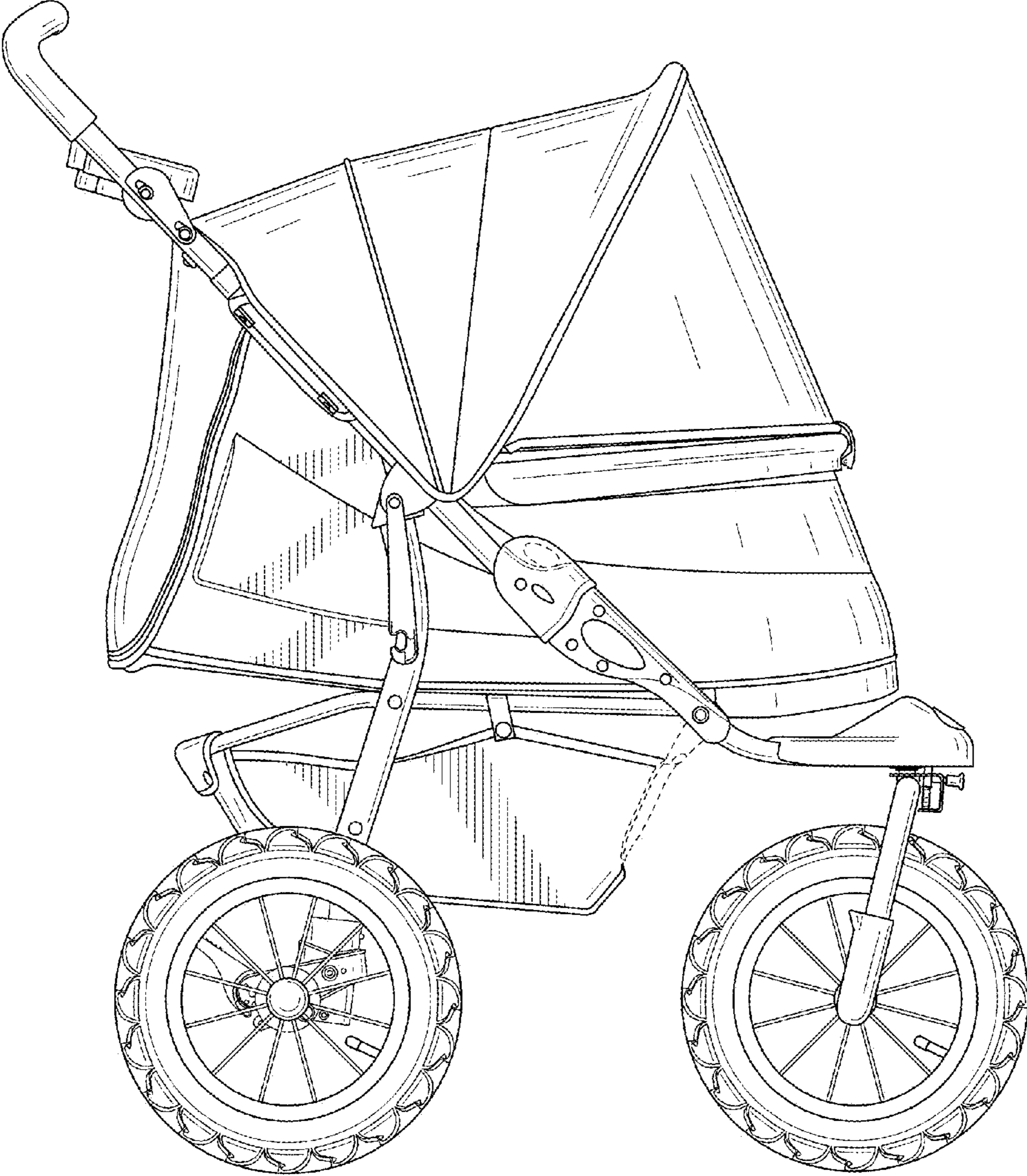


FIG. 5

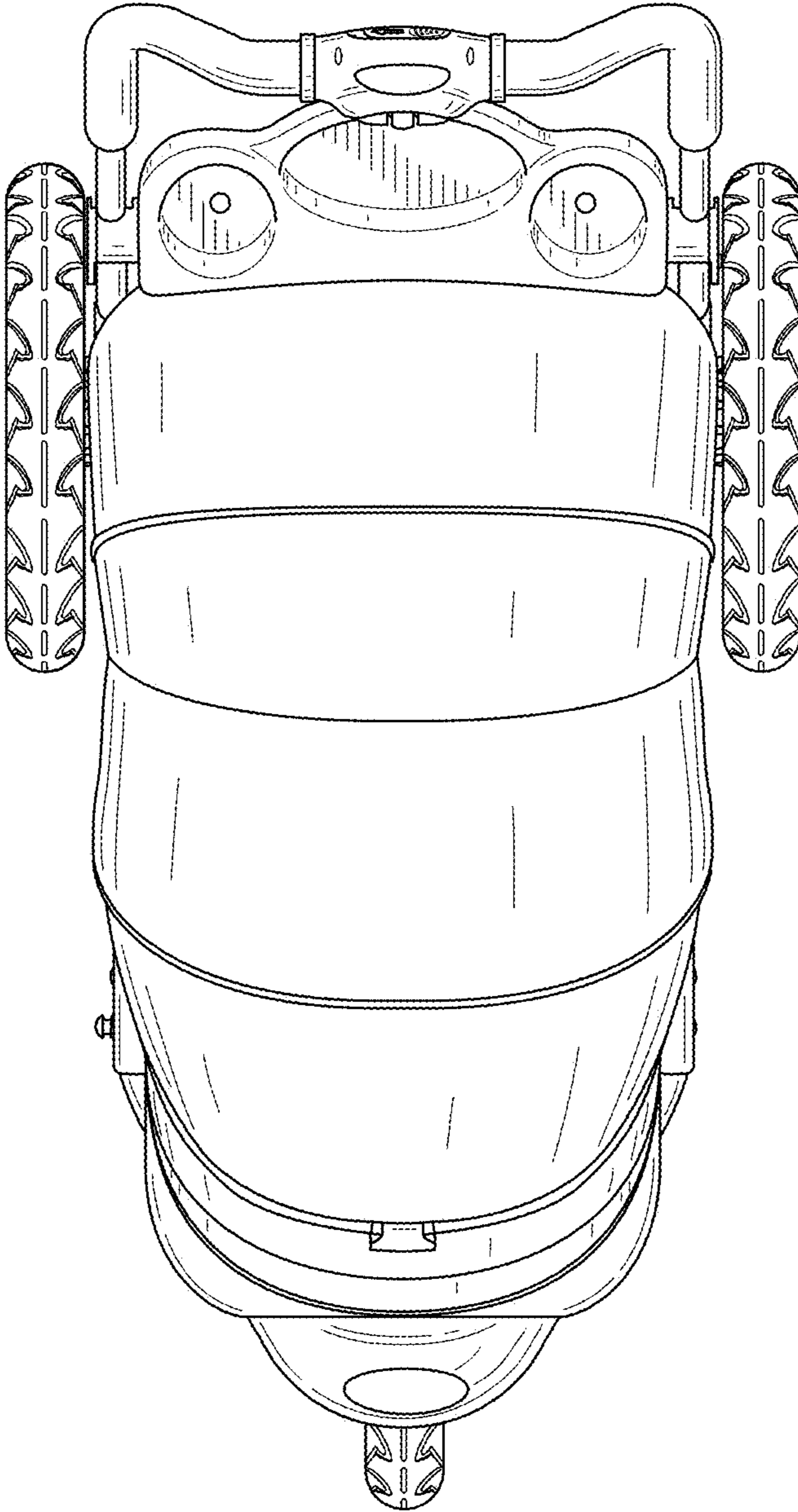


FIG. 6

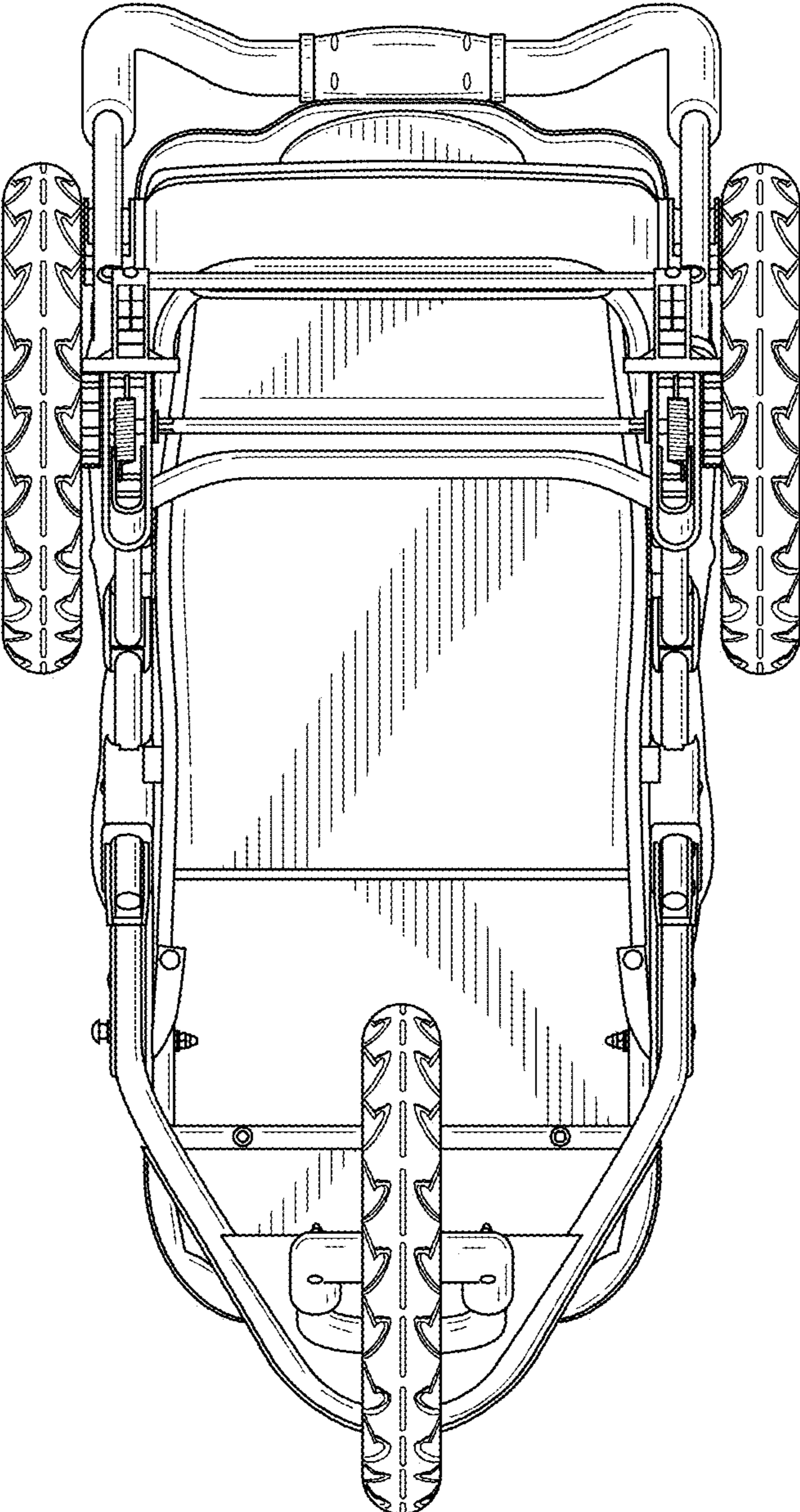


FIG. 7