



US00D723745S

(12) **United States Design Patent**
Xu

(10) **Patent No.:** **US D723,745 S**
(45) **Date of Patent:** **** Mar. 3, 2015**

- (54) **FISH TANK**
- (71) Applicant: **Shenzhen Xingrisheng Industrial Co., Ltd.**, Shenzhen, Guangdong (CN)
- (72) Inventor: **Huazhao Xu**, Shenzhen (CN)
- (73) Assignee: **Shenzhen Xingrisheng Industrial Co., Ltd.**, Shenzhen (CN)
- (**) Term: **14 Years**
- (21) Appl. No.: **29/481,342**
- (22) Filed: **Feb. 4, 2014**
- (51) **LOC (10) Cl.** **30-02**
- (52) **U.S. Cl.**
USPC **D30/101**
- (58) **Field of Classification Search**
USPC D30/101-107; D11/145; 119/245-248,
119/265-267, 269
See application file for complete search history.

D361,170 S *	8/1995	Hashimoto	D30/101
D361,412 S *	8/1995	Ichikawa	D30/101
D366,350 S *	1/1996	Ichikawa	D30/101
D596,808 S *	7/2009	Belter	D30/101
D701,003 S *	3/2014	Xu	D30/101
D701,352 S *	3/2014	Xu	D30/101

FOREIGN PATENT DOCUMENTS

EM 001726944-0003 * 7/2010
* cited by examiner

Primary Examiner — Wan Laymon

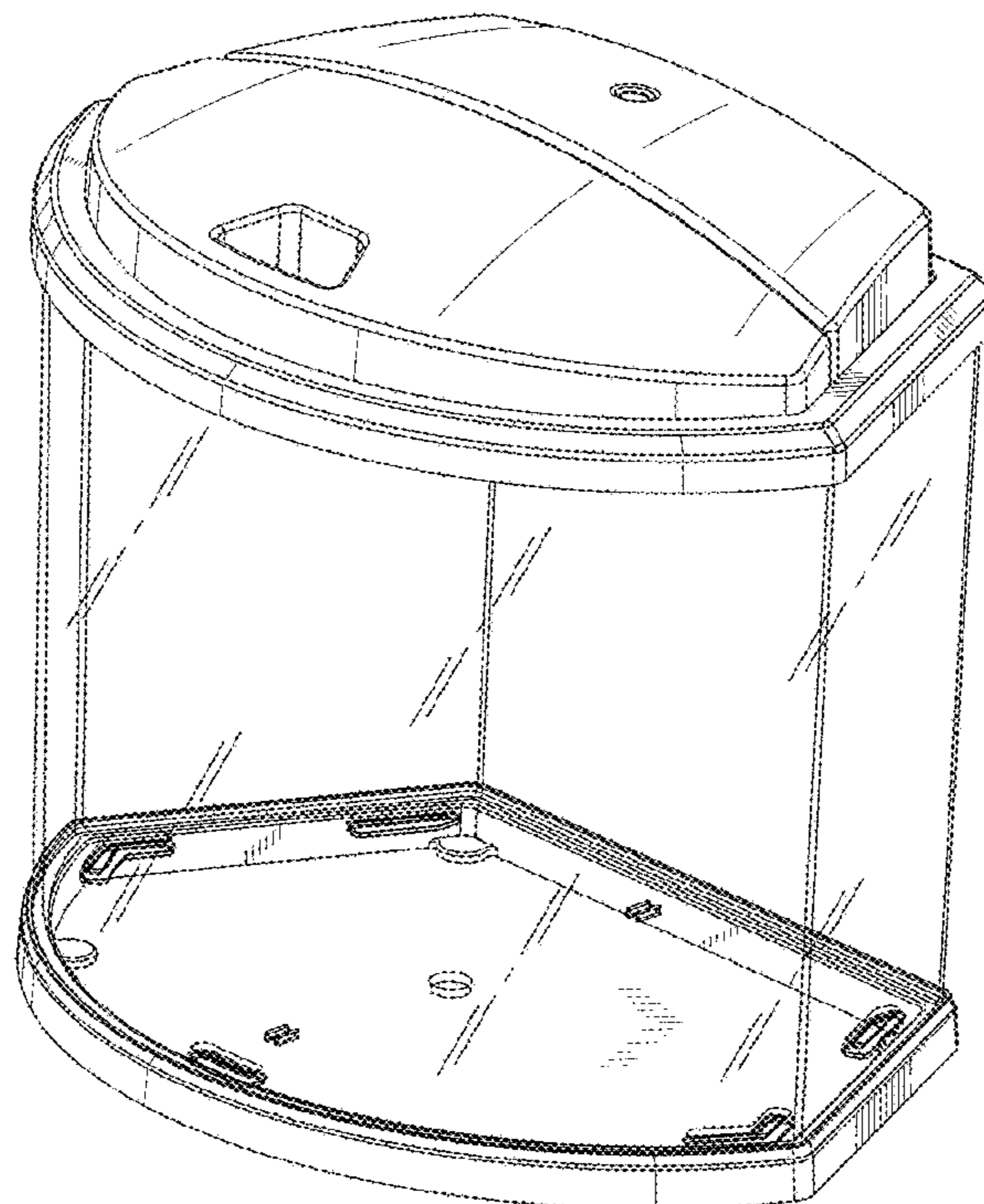
(57) **CLAIM**
The ornamental design for a fish tank, as shown and described.

DESCRIPTION

FIG. 1 is a perspective view showing my new design;
FIG. 2 is a front plan view thereof;
FIG. 3 is a back plan view thereof.
FIG. 4 is a left plan view thereof;
FIG. 5 is a right plan view thereof; and,
FIG. 6 is a downward plan view thereof.
The broken lines shown in FIGS. 3, 4, 5 and 6 represent portions of the fish tank that form no part of the claimed design.

1 Claim, 6 Drawing Sheets

- (56) **References Cited**
U.S. PATENT DOCUMENTS
D357,556 S * 4/1995 Hashimoto D30/101
5,408,955 A * 4/1995 Tsuchiya 119/266
D361,165 S * 8/1995 Ichikawa D30/101



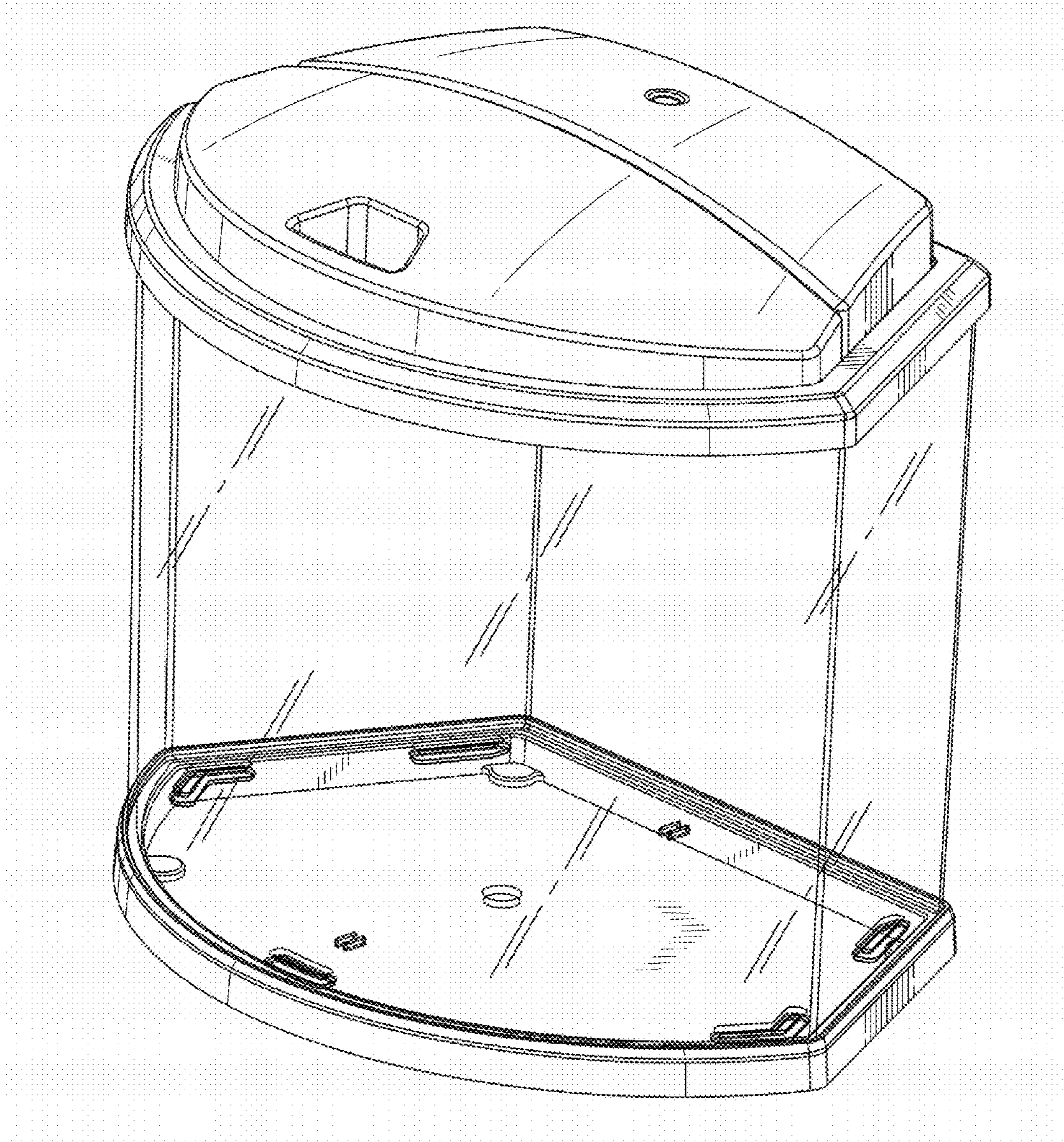


FIG. 1

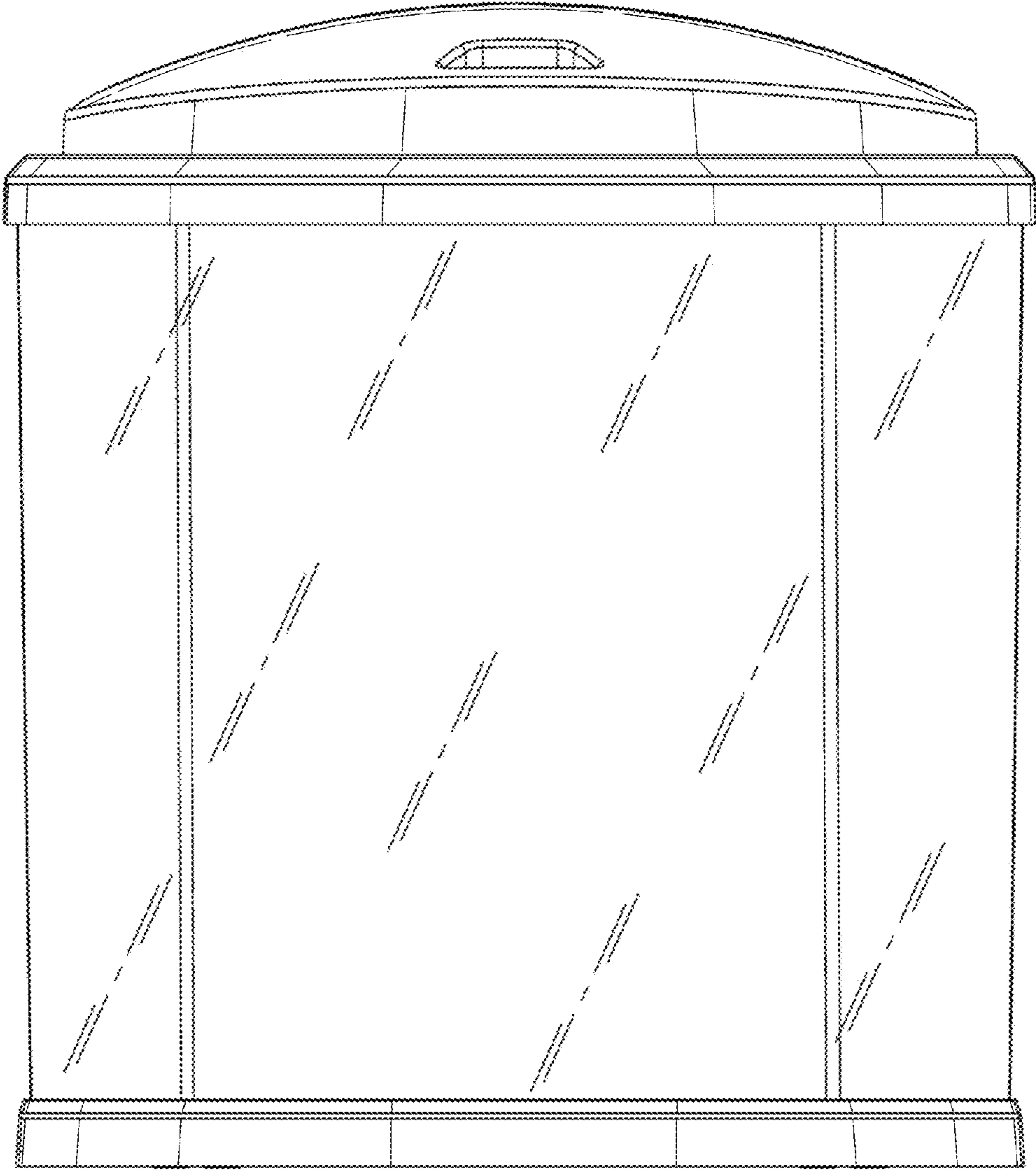


FIG. 2

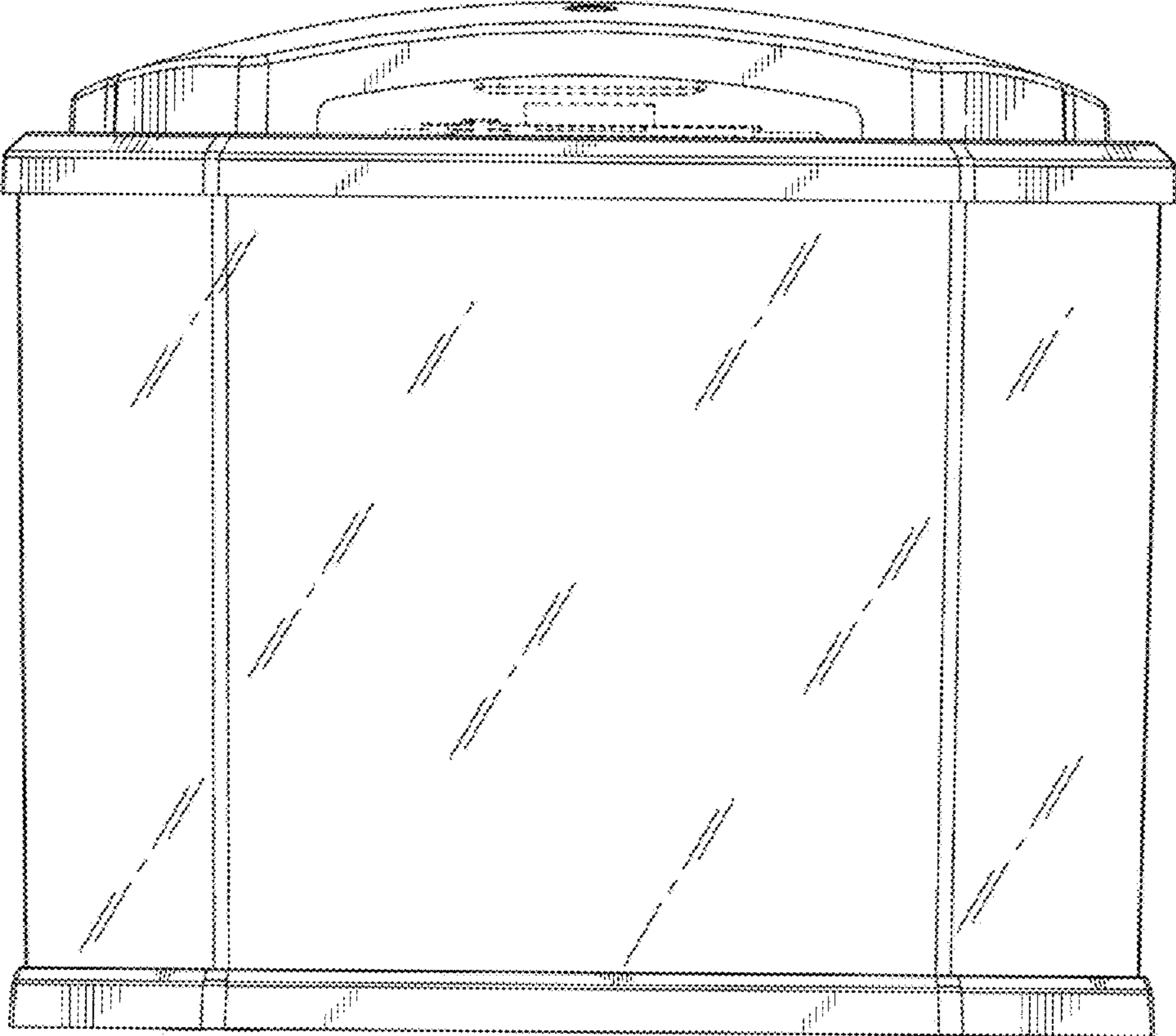


FIG. 3

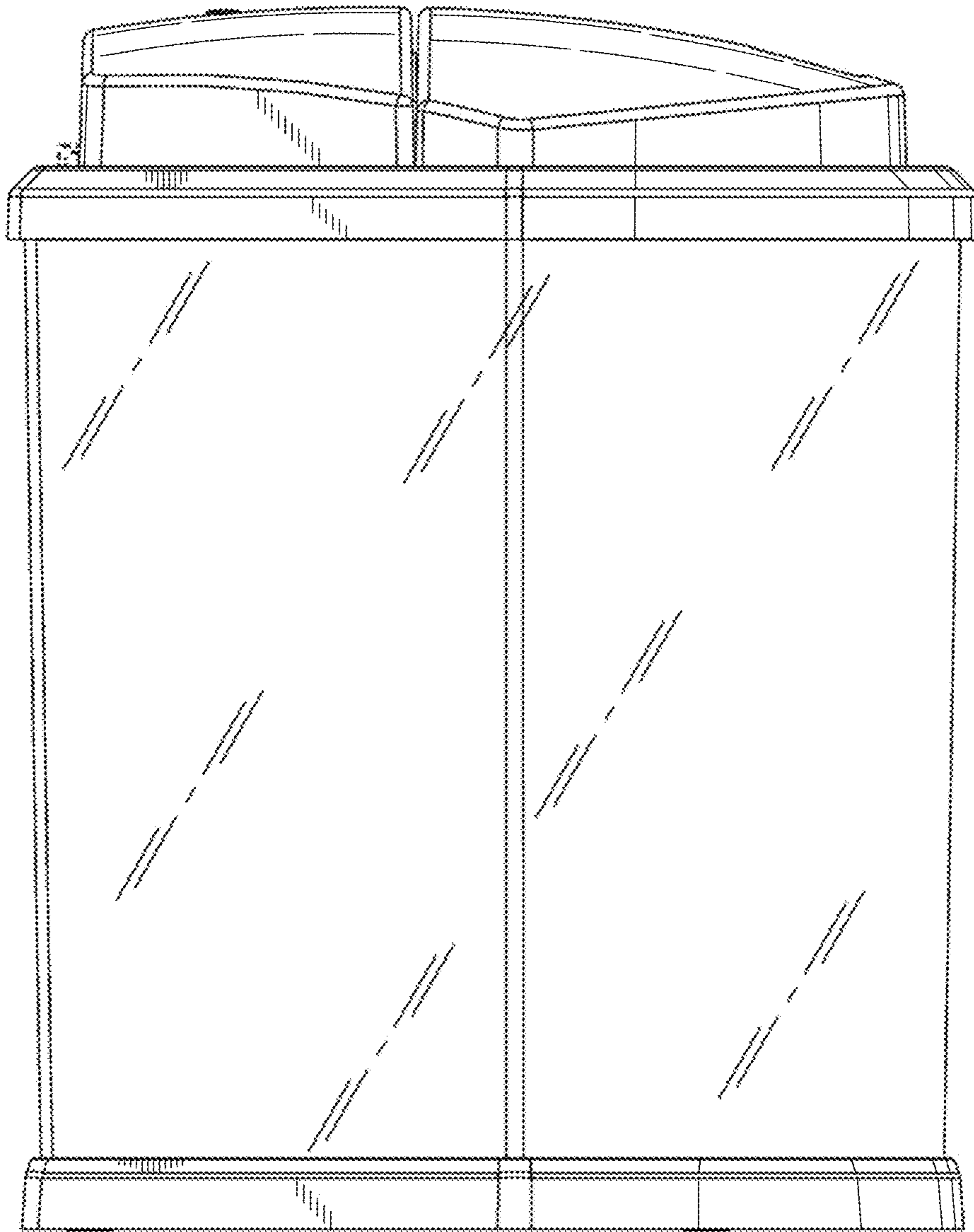


FIG. 4

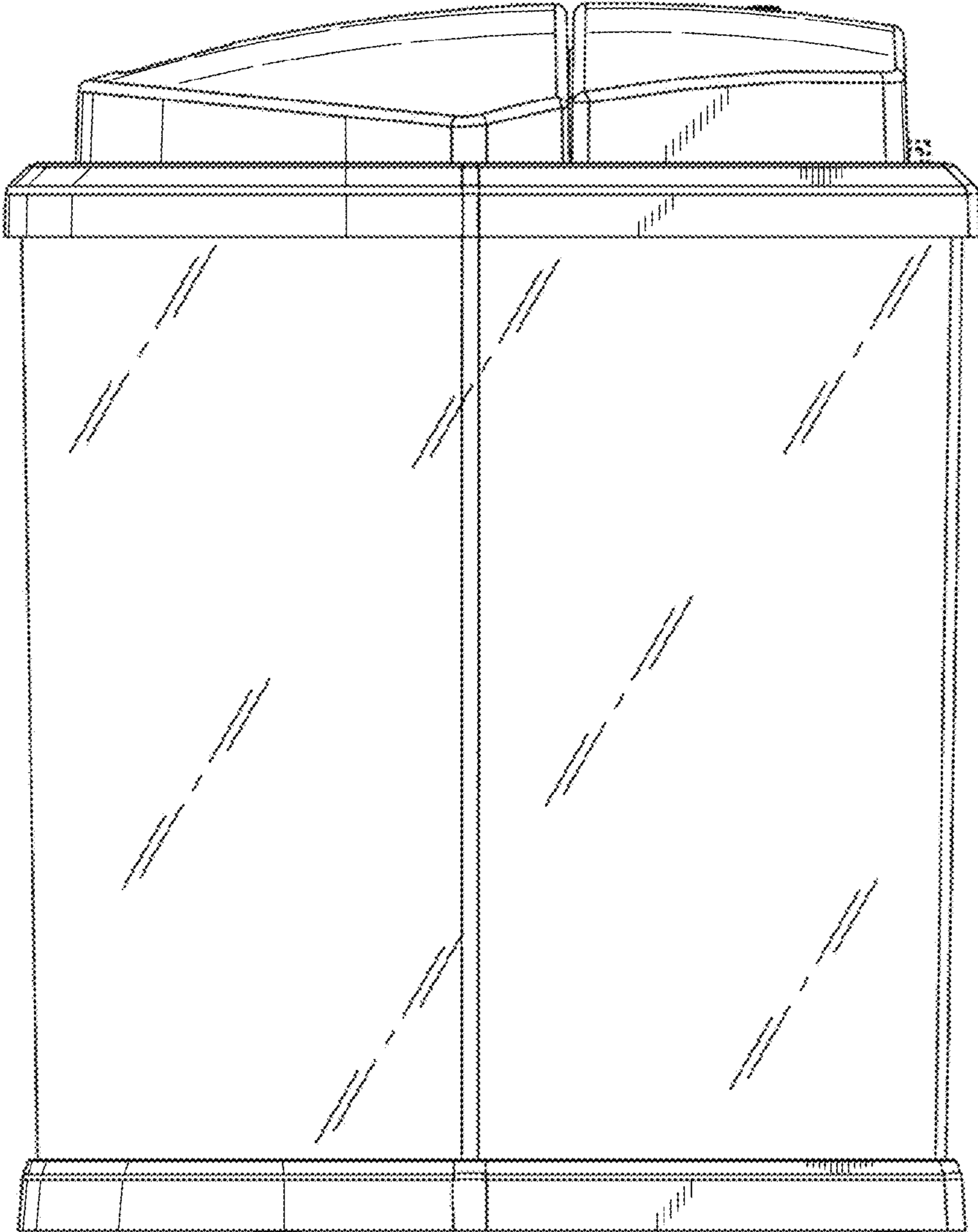


FIG. 5

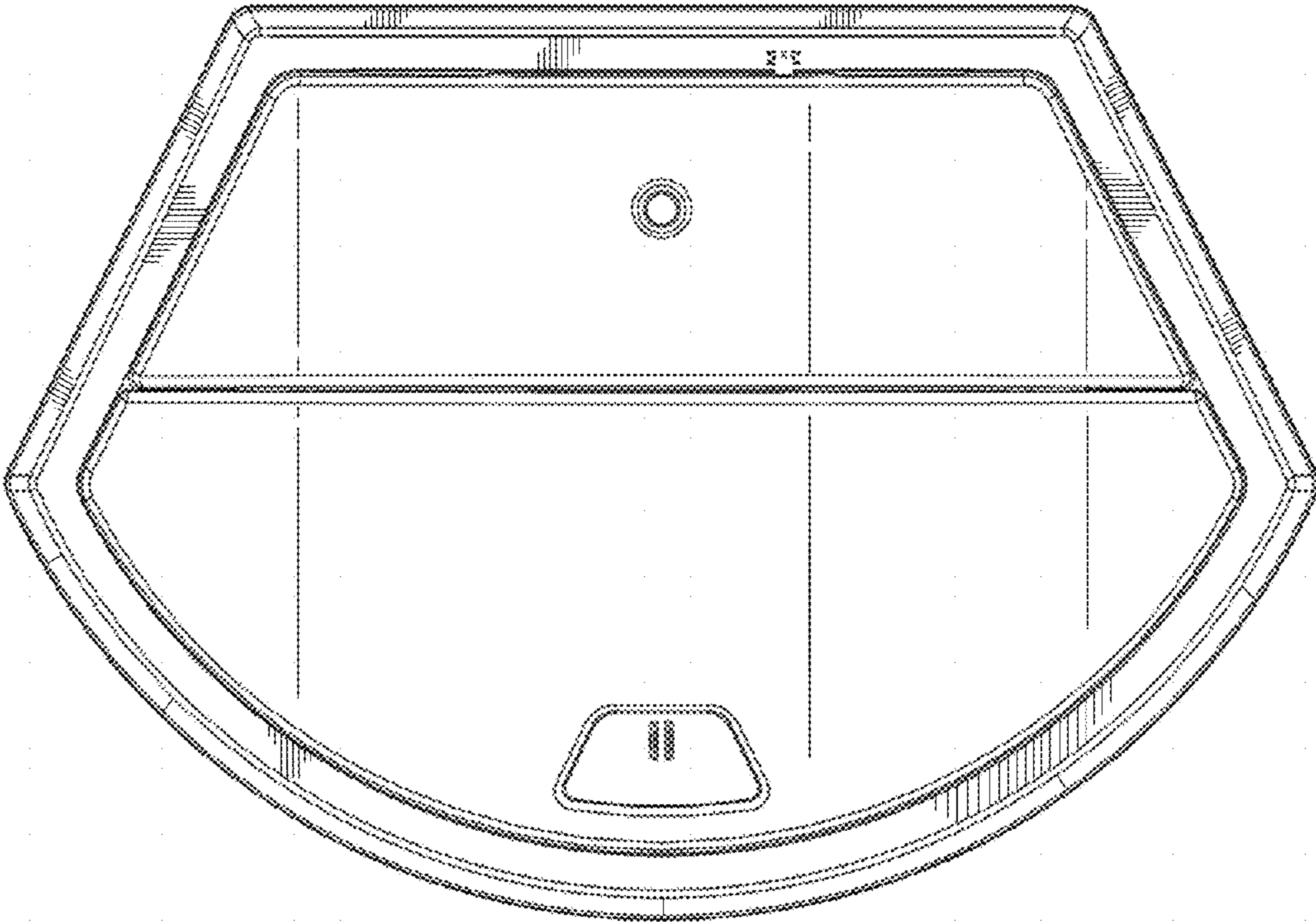


FIG. 6