



US00D723744S

(12) **United States Design Patent**  
**Pfanner et al.**

(10) **Patent No.:** **US D723,744 S**  
(45) **Date of Patent:** **\*\* Mar. 3, 2015**

(54) **PORTION OF A PROTECTIVE HELMET**

D311,978 S \* 11/1990 Metcalfe ..... D29/110  
D321,268 S \* 10/1991 Nix, Jr. .... D29/110  
D326,932 S \* 6/1992 Millar ..... D29/110

(71) Applicant: **Pfanner Schutzbekleidung GmbH,**  
Hohenems (AT)

(Continued)

(72) Inventors: **Anton Pfanner,** Hohenems (AT);  
**Martin Greber,** Goetzis (AT)

*Primary Examiner* — Elizabeth J Oswecki

(74) *Attorney, Agent, or Firm* — Katten Muchin Rosenman  
LLP

(73) Assignee: **Pfanner Schutzbekleidung GmbH,**  
Hohenems (AT)

(57) **CLAIM**

The ornamental design for a portion of a protective helmet, as  
shown and described.

(\*\*) Term: **14 Years**

**DESCRIPTION**

(21) Appl. No.: **29/499,781**

FIG. 1 is a perspective view of a portion of a protective helmet  
showing our new design;

(22) Filed: **Aug. 19, 2014**

FIG. 2 is a rear view of the portion of a protective helmet of  
FIG. 1;

(30) **Foreign Application Priority Data**

Mar. 5, 2014 (EM) ..... 001405054-0001

FIG. 3 is a front view of the portion of a protective helmet of  
FIG. 1;

(51) **LOC (10) Cl.** ..... **29-02**

FIG. 4 is a top view of the portion of a protective helmet of  
FIG. 1;

(52) **U.S. Cl.**  
USPC ..... **D29/110**

FIG. 5 is a bottom view of the portion of a protective helmet  
of FIG. 1;

(58) **Field of Classification Search**  
USPC ..... D29/100, 102, 103, 104, 105, 106, 107,  
D29/108, 109, 110, 111, 122; 2/9, 410, 6.7,  
2/424, 425, 15, 206, 7, 8.1-8.7, 427, 429,  
2/173; 128/201.24, 201.15, 857, 858  
See application file for complete search history.

FIG. 6 is a right side view of the portion of a protective helmet  
of FIG. 1;

FIG. 7 is a left side view of the portion of a protective helmet  
of FIG. 1;

FIG. 8 is another left side view of the portion of a protective  
helmet of FIG. 1 shown in a used condition mounted to a  
tensioning unit for a supporting band of the protective helmet  
shown in broken lines;

(56) **References Cited**

**U.S. PATENT DOCUMENTS**

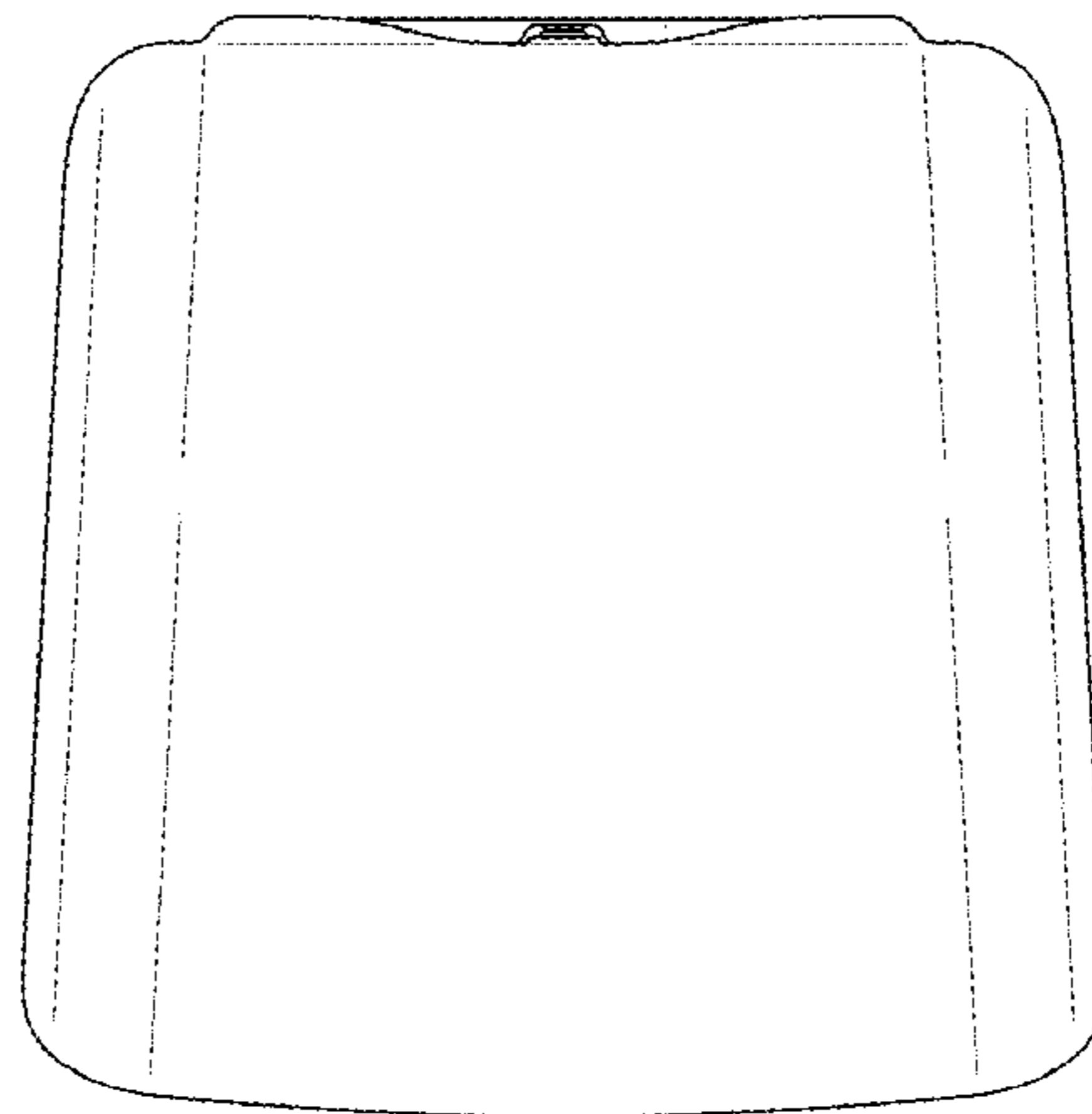
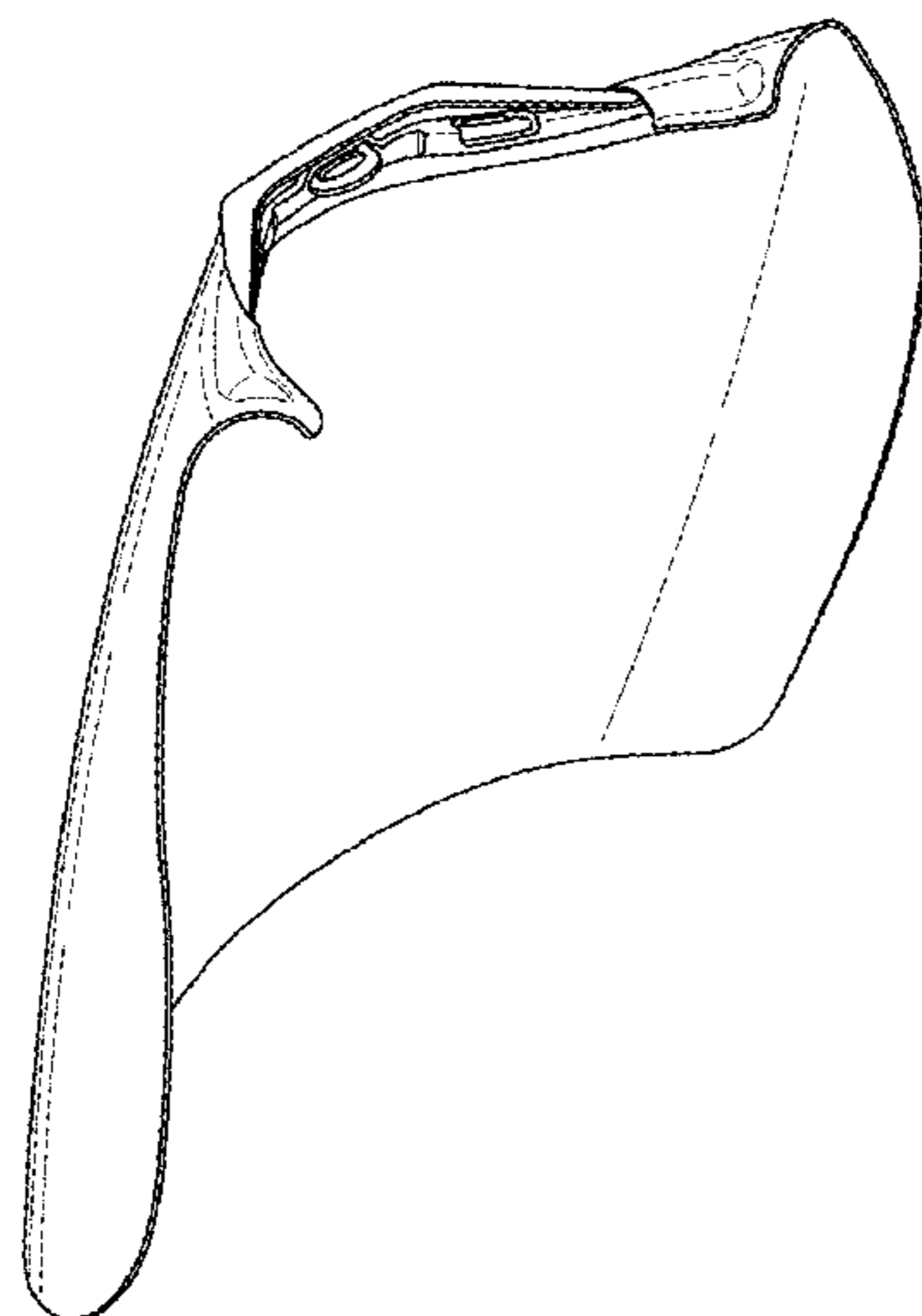
3,041,624 A \* 7/1962 Cutrona, Jr. .... 2/11  
3,369,255 A \* 2/1968 Bolle ..... 2/9  
3,686,690 A \* 8/1972 Webb ..... 2/9  
D291,256 S \* 8/1987 Hollander ..... D29/110  
4,850,049 A \* 7/1989 Landis et al. .... 2/10  
4,852,185 A \* 8/1989 Olson ..... 2/9  
4,852,186 A \* 8/1989 Landis ..... 2/9  
4,853,974 A \* 8/1989 Olim ..... 2/9  
4,884,296 A \* 12/1989 Nix, Jr. .... 2/11  
D306,363 S \* 2/1990 Stackhouse et al. .... D29/110

FIG. 9 is a rear view of the portion of a protective helmet of  
FIG. 1 shown in a used condition mounted to a tensioning unit  
for a supporting band of the protective helmet shown in broken  
lines; and,

FIG. 10 is a bottom perspective view of the portion of a  
protective helmet of FIG. 1 shown in a used condition  
mounted to a tensioning unit for a supporting band of the  
protective helmet shown in broken lines.

The tensioning unit for a supporting band shown in broken  
lines in FIGS. 8-10 form no part of the claimed design.

**1 Claim, 10 Drawing Sheets**



(56)

References Cited

U.S. PATENT DOCUMENTS

D335,723 S \* 5/1993 Pawliszyn ..... D29/110  
D349,177 S \* 7/1994 Russell ..... D29/110  
D349,178 S \* 7/1994 Russell ..... D29/110  
D349,362 S \* 8/1994 Russell ..... D29/110  
D353,691 S \* 12/1994 Scanlon ..... D29/110  
D361,160 S \* 8/1995 Russell ..... D29/110  
D362,086 S \* 9/1995 Russell ..... D29/110  
D374,951 S \* 10/1996 Machson ..... D29/110  
D404,849 S \* 1/1999 Desy ..... D29/110  
D417,756 S \* 12/1999 Crupi et al. .... D29/110  
6,375,865 B1 \* 4/2002 Paulson et al. .... 252/500

D458,713 S \* 6/2002 Cheng ..... D29/110  
D539,987 S \* 4/2007 Love ..... D29/110  
D541,991 S \* 5/2007 Lawrence ..... D29/122  
D661,841 S \* 6/2012 Klotz et al. .... D29/109  
D662,261 S \* 6/2012 Klotz et al. .... D29/109  
D669,639 S \* 10/2012 Klotz et al. .... D29/110  
D675,786 S \* 2/2013 Klotz et al. .... D29/110  
D675,787 S \* 2/2013 Klotz et al. .... D29/110  
D675,788 S \* 2/2013 Klotz et al. .... D29/110  
D677,008 S \* 2/2013 Klotz et al. .... D29/110  
D677,435 S \* 3/2013 Klotz et al. .... D29/110  
D686,778 S \* 7/2013 Isobe ..... D29/110  
D692,187 S \* 10/2013 Isobe ..... D29/110

\* cited by examiner



FIG. 1



FIG. 2

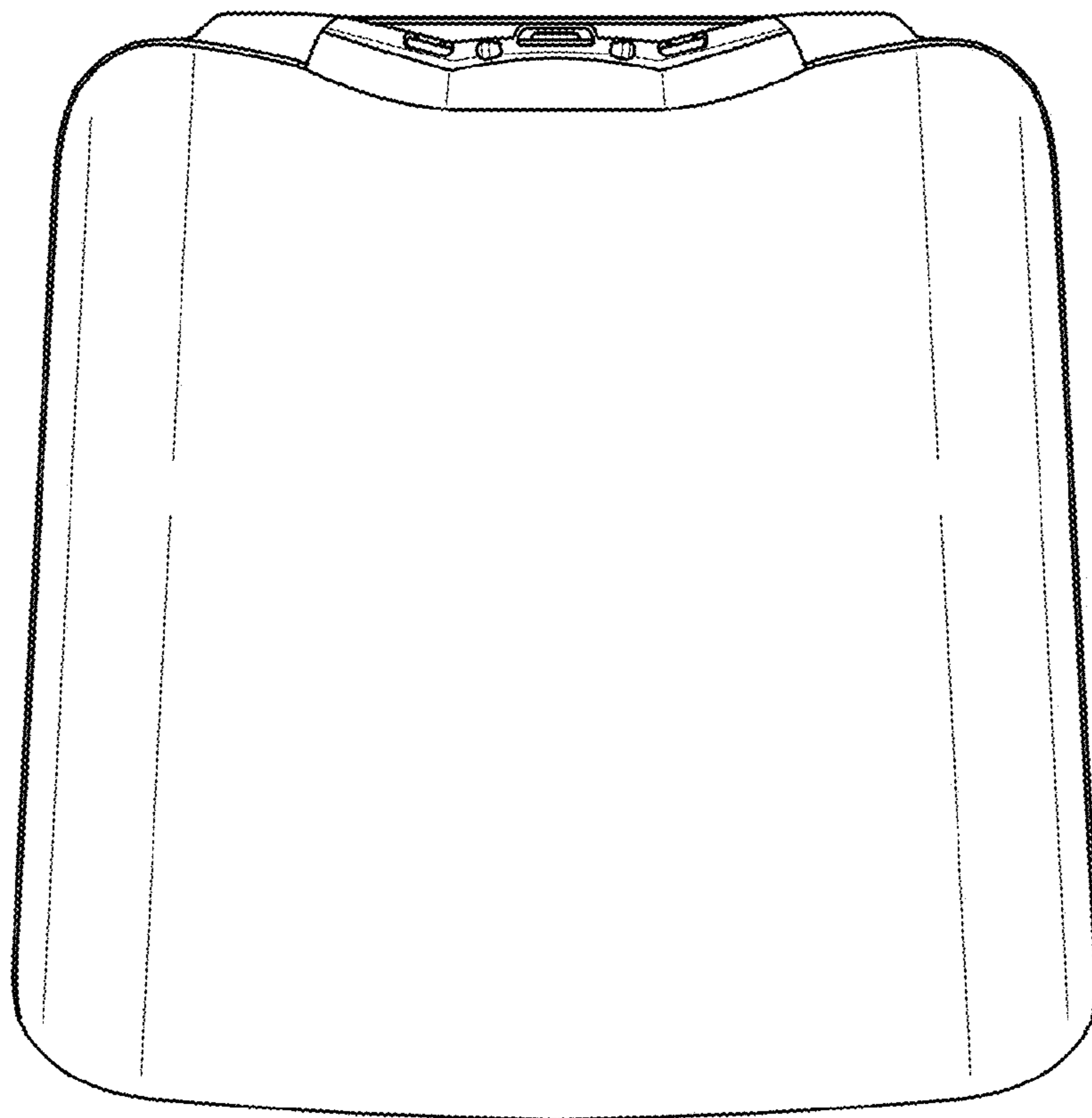


FIG. 3

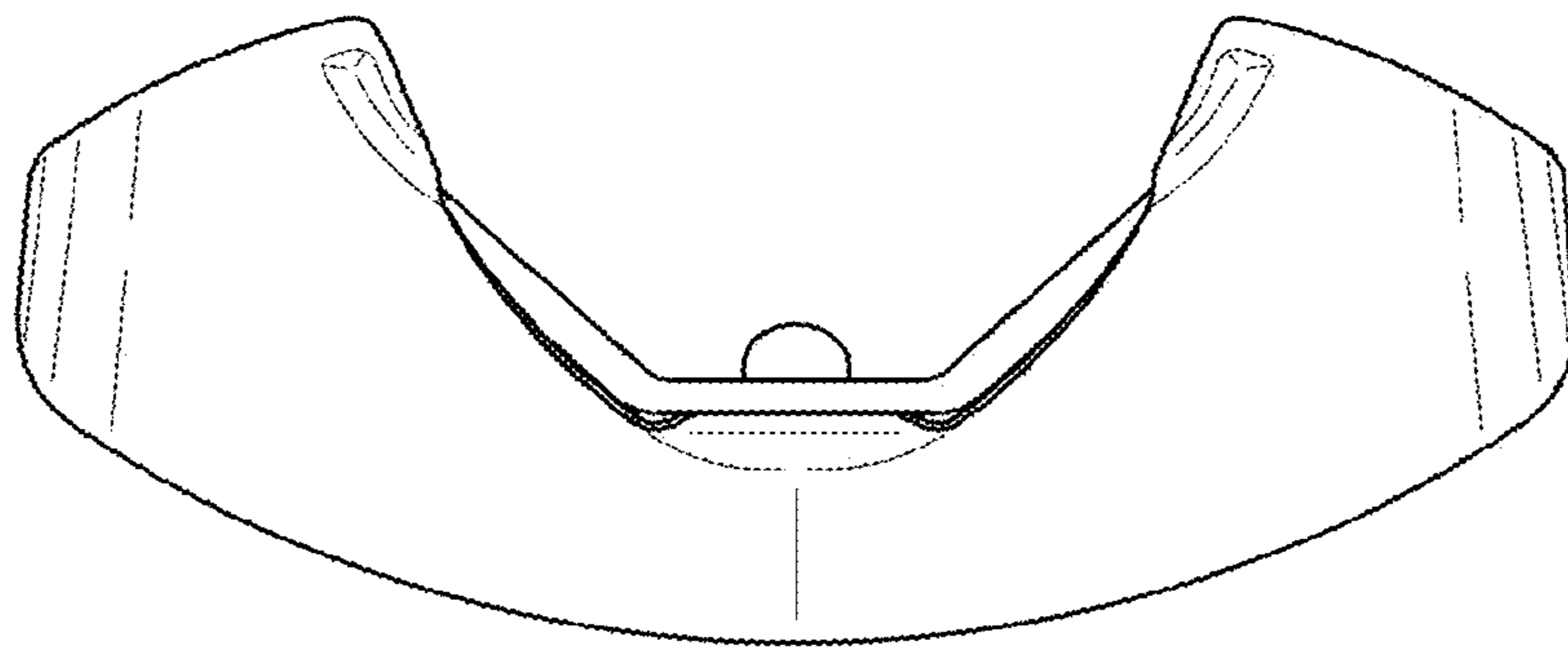


FIG. 4

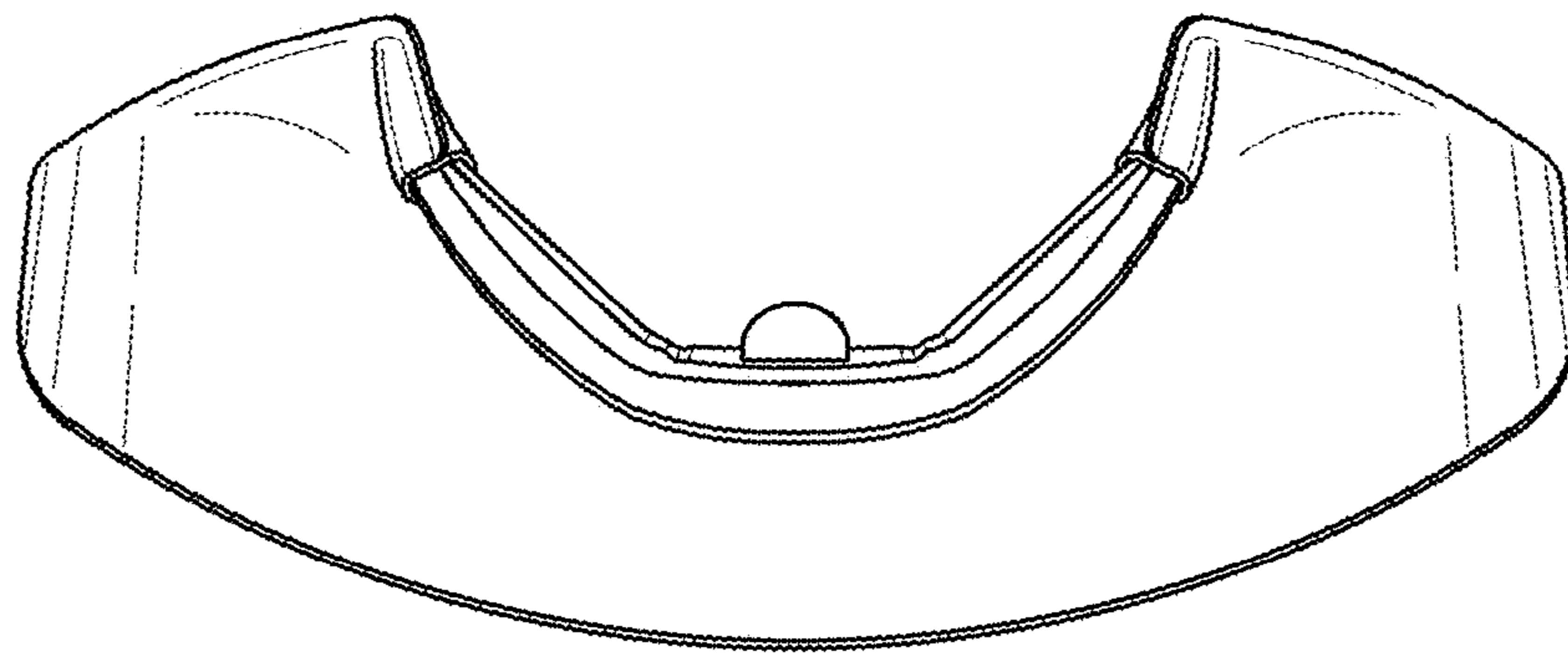


FIG. 5

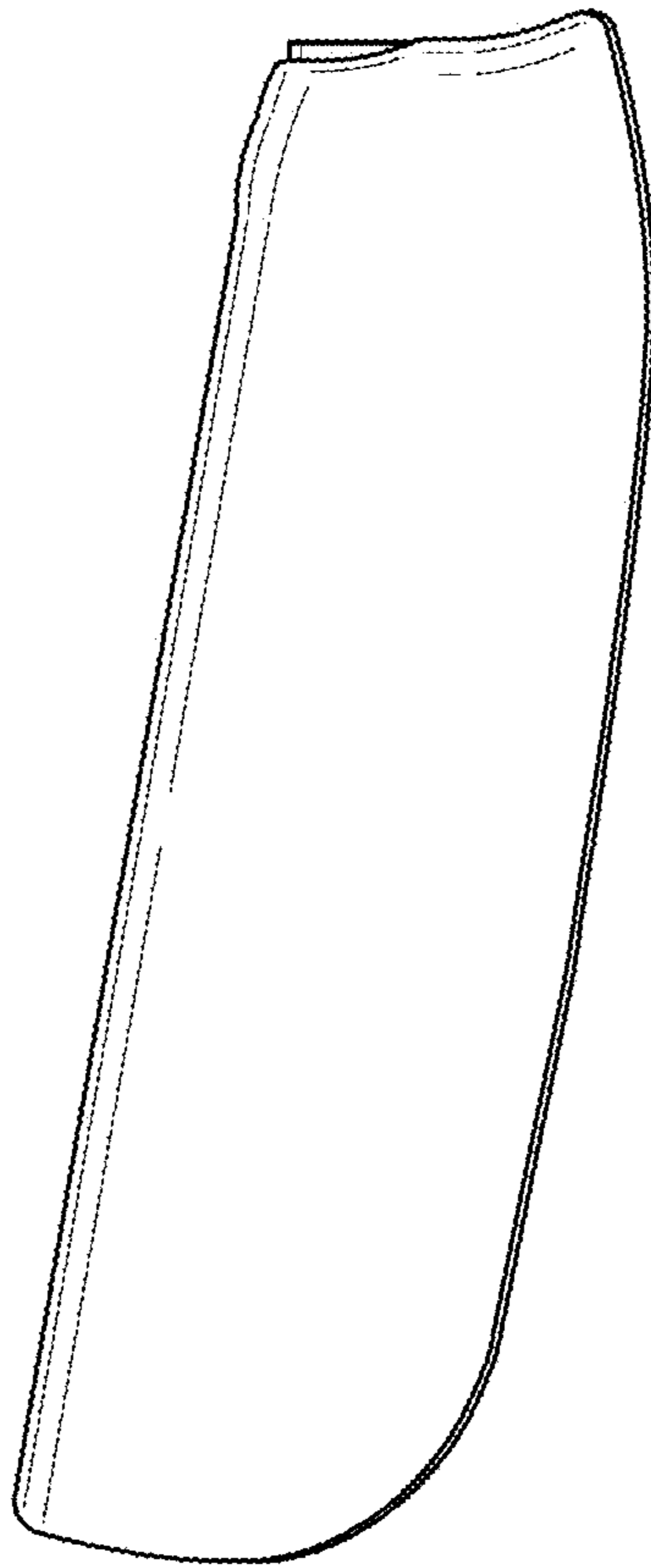


FIG. 6



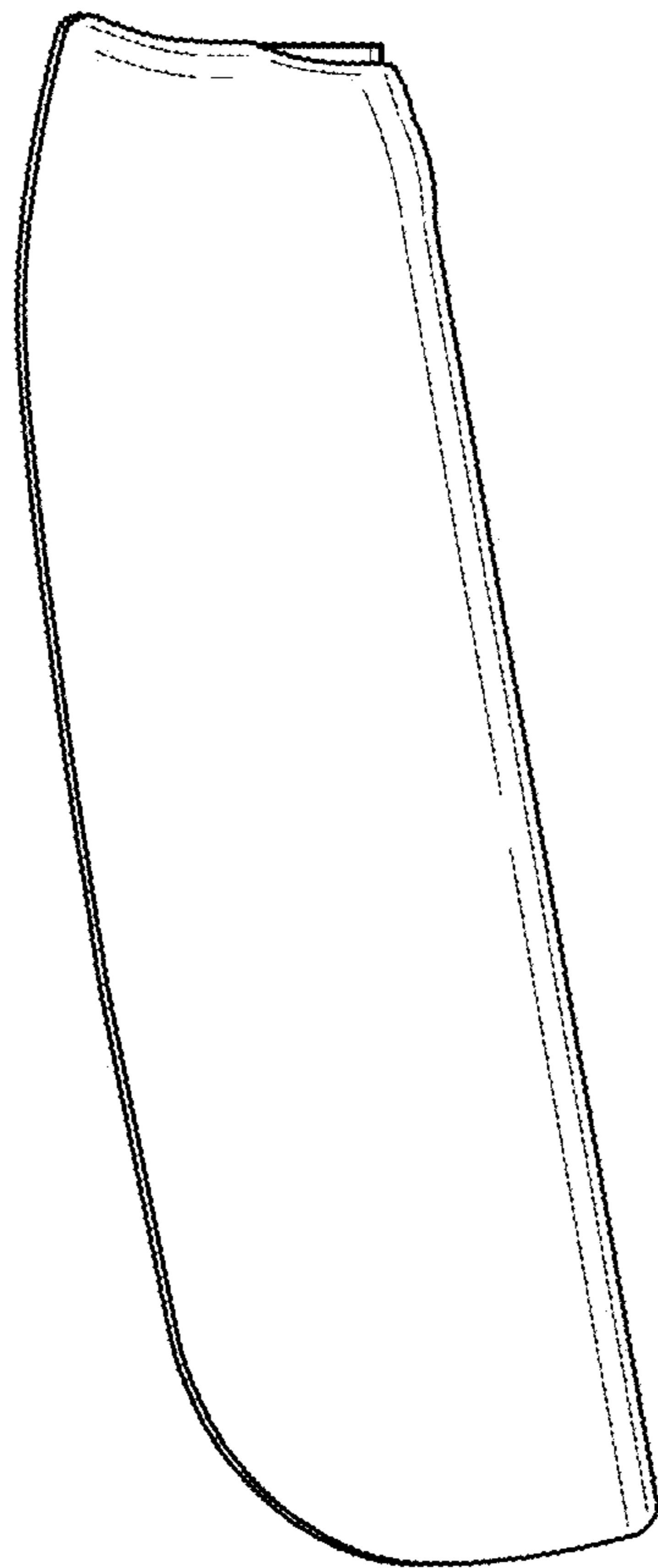


FIG. 7

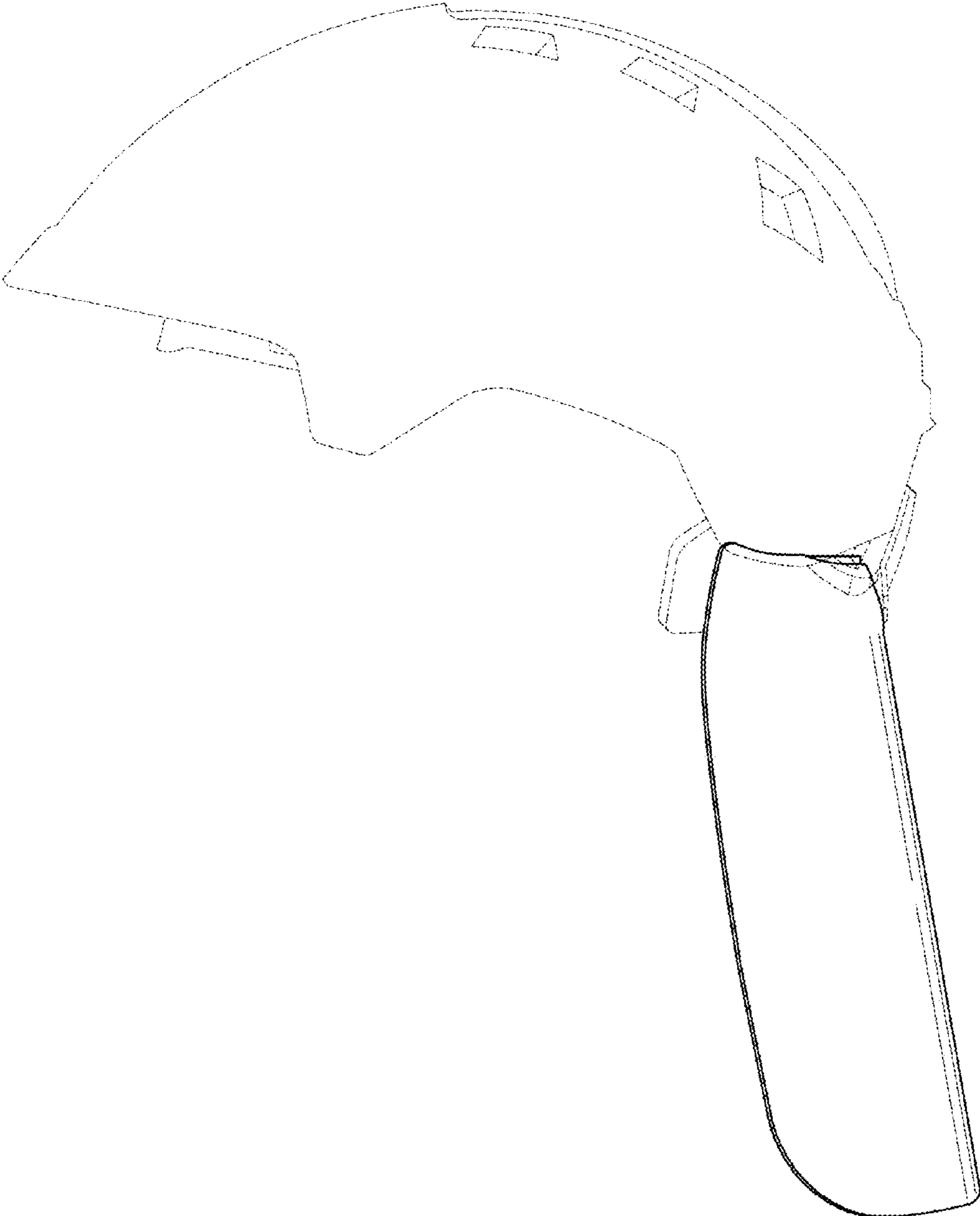


FIG. 8

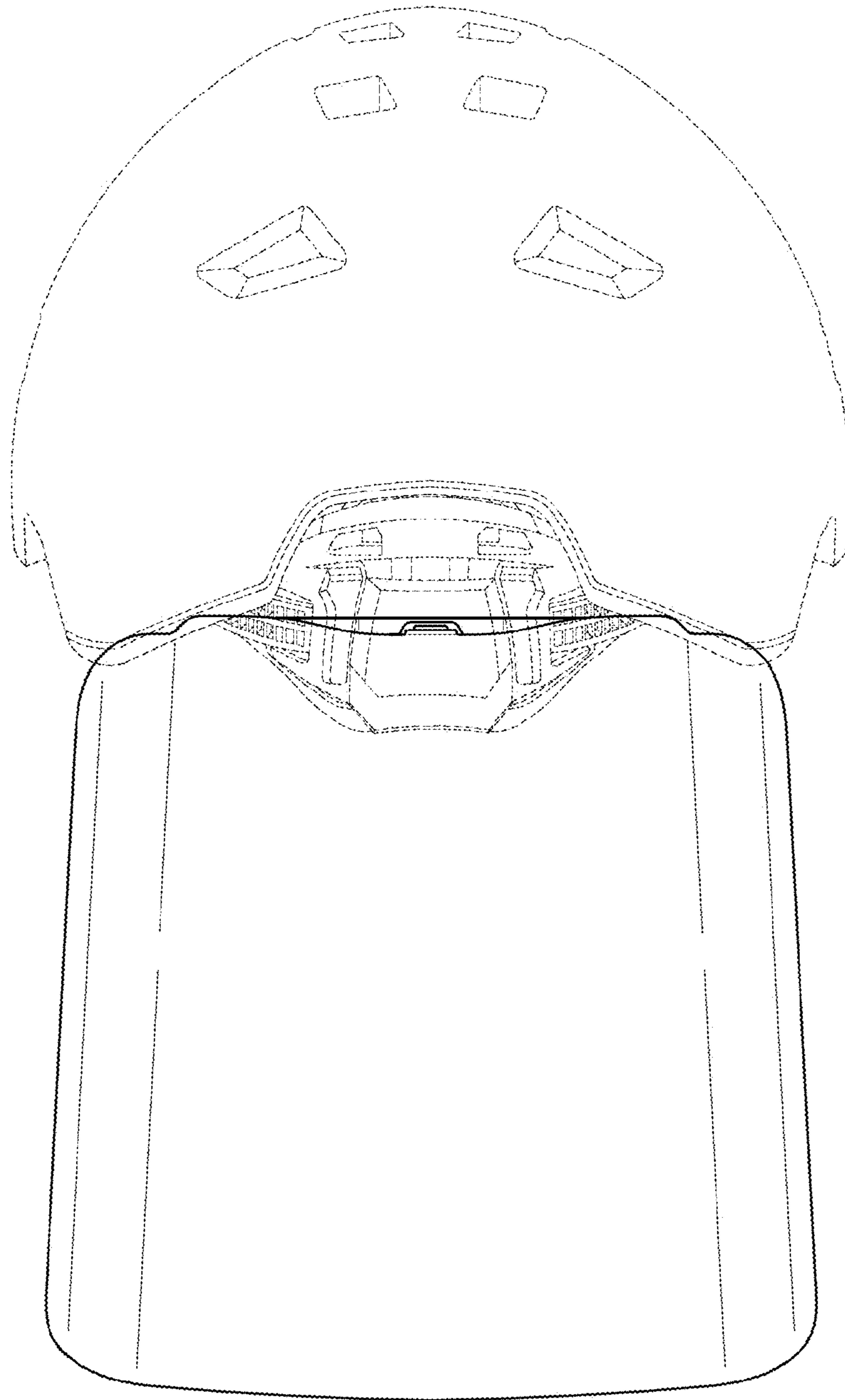


FIG. 9

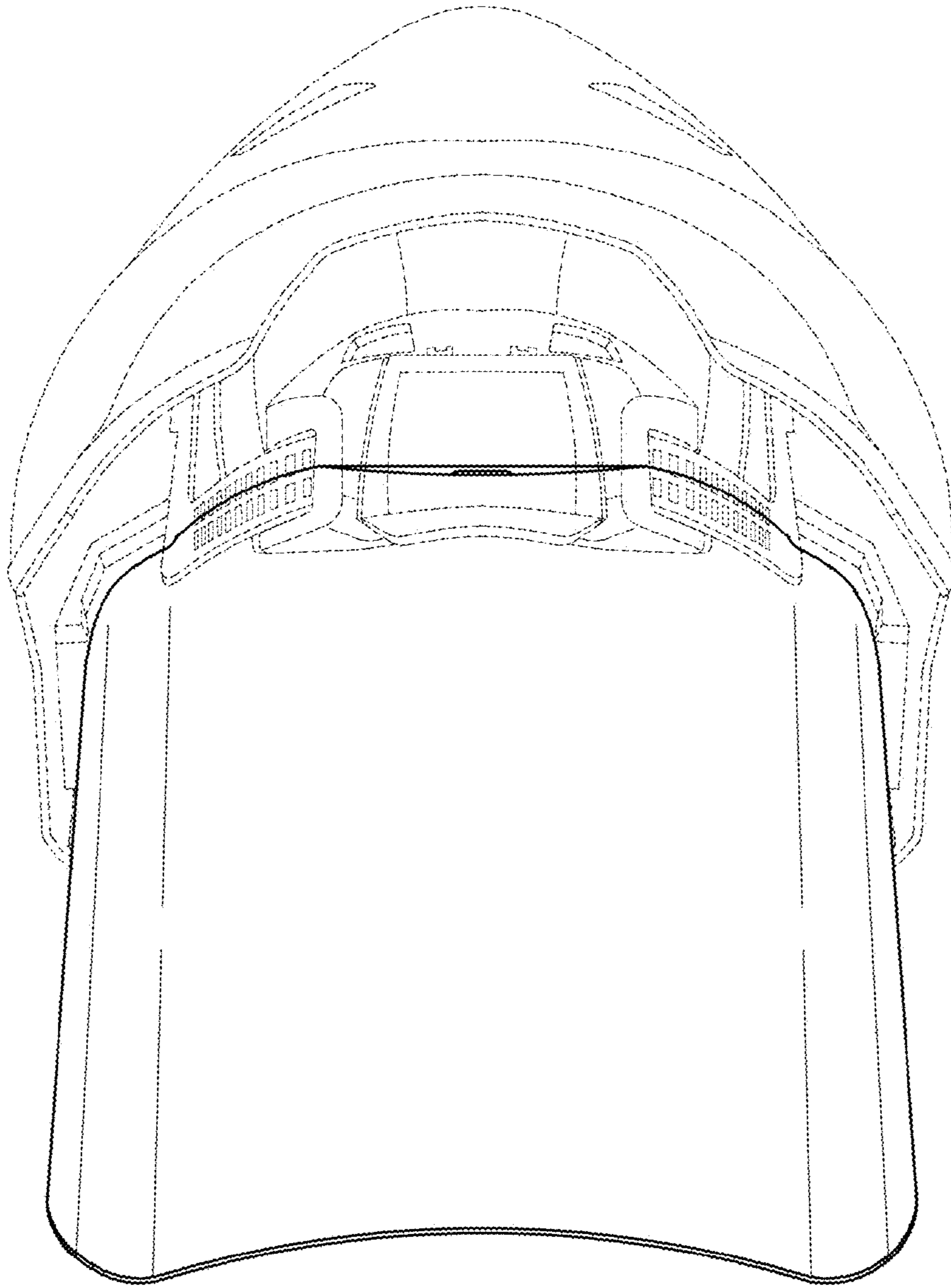


FIG. 10