

US00D723742S

(12) **United States Design Patent**
Shteysel

(10) **Patent No.:** **US D723,742 S**
(45) **Date of Patent:** **** Mar. 3, 2015**

- (54) **COSMETIC HOLDER**
- (71) Applicant: **Zena Shteysel**, Sherman Oaks, CA (US)
- (72) Inventor: **Zena Shteysel**, Sherman Oaks, CA (US)
- (73) Assignee: **Z Produx, Inc.**, Sherman Oaks, CA (US)
- (**) Term: **14 Years**
- (21) Appl. No.: **29/443,575**
- (22) Filed: **Jan. 18, 2013**

Related U.S. Application Data

- (63) Continuation-in-part of application No. 12/760,029, filed on Apr. 14, 2010, now abandoned.
- (51) **LOC (10) Cl.** **28-03**
- (52) **U.S. Cl.**
USPC **D28/83**
- (58) **Field of Classification Search**
CPC A45D 33/006; A45D 33/003; A45D 33/04-33/16; A45D 33/025; A45D 33/02; A45D 33/20; A45D 33/22; A45D 33/24; A45D 33/26; A45D 33/28; A45D 33/18; A45D 40/22; A45D 40/222; A45D 40/24; A45D 42/02
USPC D28/64.1-64.7, 76-84; 206/581, 823; 132/286-318
See application file for complete search history.

(56) **References Cited**

U.S. PATENT DOCUMENTS

- 1,767,567 A 6/1930 Weil
- 1,879,407 A 9/1932 Morenus
- 2,158,099 A 5/1939 Reger
- 2,299,673 A 10/1942 Abram
- 2,421,646 A 6/1947 Joseph
- 3,006,350 A 10/1961 Armin
- 3,911,936 A 10/1975 Kingsford
- 4,421,127 A 12/1983 Geer
- 4,589,430 A 5/1986 Sussman
- 5,005,697 A 4/1991 Jimbo
- 5,135,012 A 8/1992 Kamen et al.

- 5,373,862 A 12/1994 Blachut
- 5,407,076 A 4/1995 Sabet
- 5,437,294 A 8/1995 Ebbets, III et al.
- 5,813,420 A 9/1998 Sussman
- D410,569 S 6/1999 Morgan
- D422,120 S 3/2000 Orsomando
- D453,859 S 2/2002 Spearman
- 6,484,731 B1 11/2002 Lacout
- D469,223 S 1/2003 Thorpe et al.
- D477,895 S 7/2003 Goswell
- D480,837 S 10/2003 Liu
- D485,018 S 1/2004 Bellman
- D503,245 S 3/2005 Vanoncini
- 6,901,937 B2 6/2005 Sebban
- 7,047,983 B2 5/2006 Manougian et al.
- D597,256 S 7/2009 Liden
- D601,757 S 10/2009 Sagel
- D603,564 S 11/2009 Liden
- D626,694 S 11/2010 Ha
- D631,610 S 1/2011 Barresi et al.
- D642,743 S * 8/2011 Shteysel D28/83
- D655,865 S * 3/2012 Villarreal et al. D28/83
- D655,866 S * 3/2012 Villarreal et al. D28/83
- D687,187 S * 7/2013 Lai D28/83
- 2002/0162565 A1 11/2002 Sebban
- 2004/0003825 A1 * 1/2004 Kelly 132/301
- 2004/0040570 A1 3/2004 Shih
- 2005/0194021 A1 9/2005 Byun
- 2006/0027481 A1 2/2006 Gelardi et al.
- 2006/0226040 A1 10/2006 Medina
- 2009/0152162 A1 6/2009 Tian et al.
- 2010/0031971 A1 * 2/2010 Ha 132/293
- 2010/0089793 A1 4/2010 Plassmeyer
- 2010/0307520 A1 12/2010 Dahle
- 2011/0073130 A1 3/2011 Reynolds
- 2011/0155752 A1 * 6/2011 Ha 220/755
- 2011/0253167 A1 10/2011 Shteysel
- 2013/0133686 A1 * 5/2013 Shteysel 132/314
- 2014/0026921 A1 * 1/2014 Zhang 132/315

* cited by examiner

Primary Examiner — Jennifer Rivard
(74) *Attorney, Agent, or Firm* — Steven H. Washam; Harper Washam LLP

(57) **CLAIM**
The ornamental design for a cosmetic holder, as shown and described.

DESCRIPTION

FIG. 1 is an isometric view of an embodiment of a cosmetic holder showing my new design;

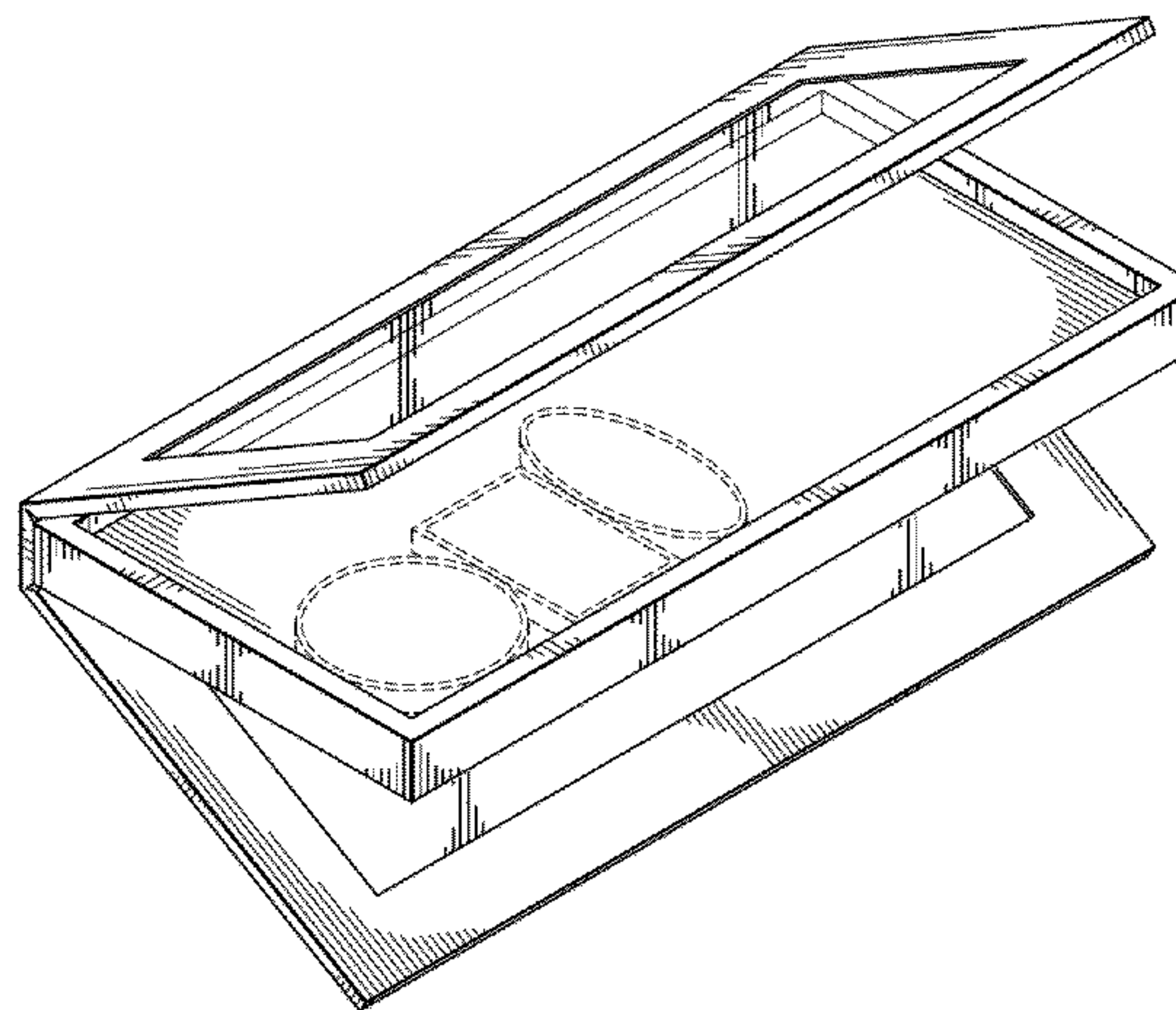
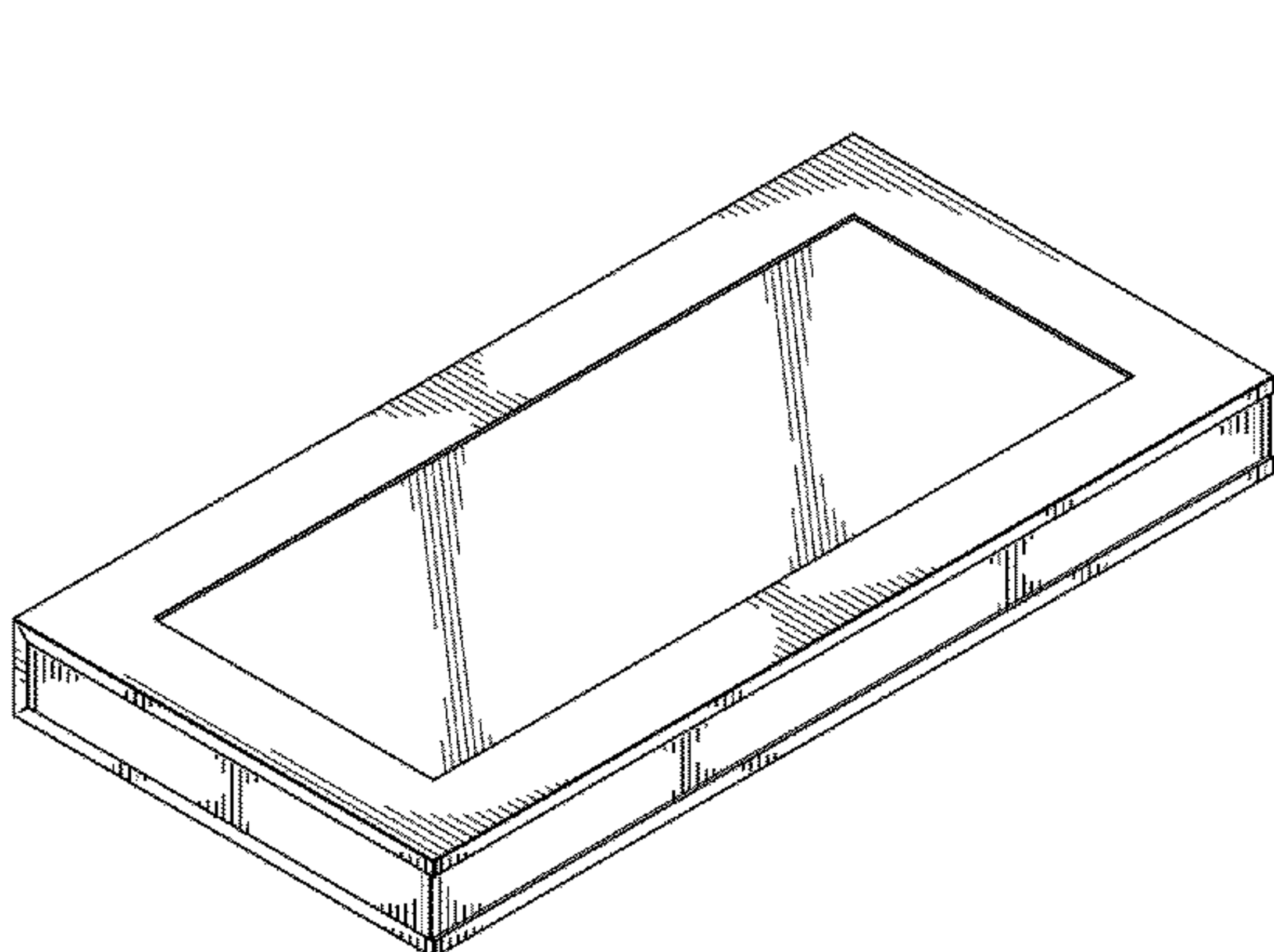


FIG. 2 is a front elevational view thereof;
FIG. 3 is a rear elevational view thereof;
FIG. 4 is a right side elevational view thereof;
FIG. 5 is a left side elevational view thereof;
FIG. 6 is a top elevational view thereof; and
FIG. 7 is a bottom elevational view thereof.
FIG. 8 is a top-down isometric view thereof, the broken lines for the purpose of illustrating environmental structure only and form no part of the claimed design;
FIG. 9 is a bottom-up isometric view thereof, the broken lines for the purpose of illustrating environmental structure only and form no part of the claimed design;
FIG. 10 is an isometric view of an embodiment of the cosmetic holder in accordance with a second embodiment of the invention;
FIG. 11 is a front elevational view thereof;
FIG. 12 is a rear elevational view thereof;
FIG. 13 is a right side elevational view thereof;
FIG. 14 is a left side elevational view thereof;
FIG. 15 is a top elevational view thereof; and
FIG. 16 is a bottom elevational view thereof.
FIG. 17 is a top-down isometric view thereof, the broken lines for the purpose of illustrating environmental structure only and form no part of the claimed design;
FIG. 18 is a bottom-up isometric view thereof, the broken lines for the purpose of illustrating environmental structure only and form no part of the claimed design.
FIG. 19 is an isometric view of an embodiment of the cosmetic holder in accordance with a third embodiment of the invention;
FIG. 20 is a front elevational view thereof;
FIG. 21 is a rear elevational view thereof;
FIG. 22 is a right side elevational view thereof;
FIG. 23 is a left side elevational view thereof;
FIG. 24 is a top elevational view thereof; and
FIG. 25 is a bottom elevational view thereof.
FIG. 26 is a top-down isometric view thereof, the broken lines for the purpose of illustrating environmental structure only and form no part of the claimed design;
FIG. 27 is a bottom-up isometric view thereof, the broken lines for the purpose of illustrating environmental structure only and form no part of the claimed design.
FIG. 28 is an isometric view of an embodiment of the cosmetic holder in accordance with a fourth embodiment of the invention;
FIG. 29 is a front elevational view thereof;
FIG. 30 is a rear elevational view thereof;
FIG. 31 is a right side elevational view thereof;
FIG. 32 is a left side elevational view thereof;
FIG. 33 is a top elevational view thereof; and
FIG. 34 is a bottom elevational view thereof.

FIG. 35 is a top-down isometric view thereof, the broken lines for the purpose of illustrating environmental structure only and form no part of the claimed design;
FIG. 36 is a bottom-up isometric view thereof, the broken lines for the purpose of illustrating environmental structure only and form no part of the claimed design.
FIG. 37 is an isometric view of an embodiment of the cosmetic holder in accordance with a fifth embodiment of the invention;
FIG. 38 is a front elevational view thereof;
FIG. 39 is a rear elevational view thereof;
FIG. 40 is a right side elevational view thereof;
FIG. 41 is a left side elevational view thereof;
FIG. 42 is a top elevational view thereof; and
FIG. 43 is a bottom elevational view thereof.
FIG. 44 is a top-down isometric view thereof, the broken lines for the purpose of illustrating environmental structure only and form no part of the claimed design;
FIG. 45 is a bottom-up isometric view thereof, the broken lines for the purpose of illustrating environmental structure only and form no part of the claimed design.
FIG. 46 is an isometric view of an embodiment of the cosmetic holder in accordance with a sixth embodiment of the invention;
FIG. 47 is a front elevational view thereof;
FIG. 48 is a rear elevational view thereof;
FIG. 49 is a right side elevational view thereof;
FIG. 50 is a left side elevational view thereof;
FIG. 51 is a top elevational view thereof; and
FIG. 52 is a bottom elevational view thereof.
FIG. 53 is a top-down isometric view thereof, the broken lines for the purpose of illustrating environmental structure only and form no part of the claimed design;
FIG. 54 is a bottom-up isometric view thereof, the broken lines for the purpose of illustrating environmental structure only and form no part of the claimed design.
FIG. 55 is an isometric view of an embodiment of the cosmetic holder in accordance with a seventh embodiment of the invention;
FIG. 56 is a front elevational view thereof;
FIG. 57 is a rear elevational view thereof;
FIG. 58 is a right side elevational view thereof;
FIG. 59 is a left side elevational view thereof;
FIG. 60 is a top elevational view thereof; and
FIG. 61 is a bottom elevational view thereof.
FIG. 62 is a top-down isometric view thereof, the broken lines for the purpose of illustrating environmental structure only and form no part of the claimed design; and,
FIG. 63 is a bottom-up isometric view thereof, the broken lines for the purpose of illustrating environmental structure only and form no part of the claimed design.

1 Claim, 24 Drawing Sheets

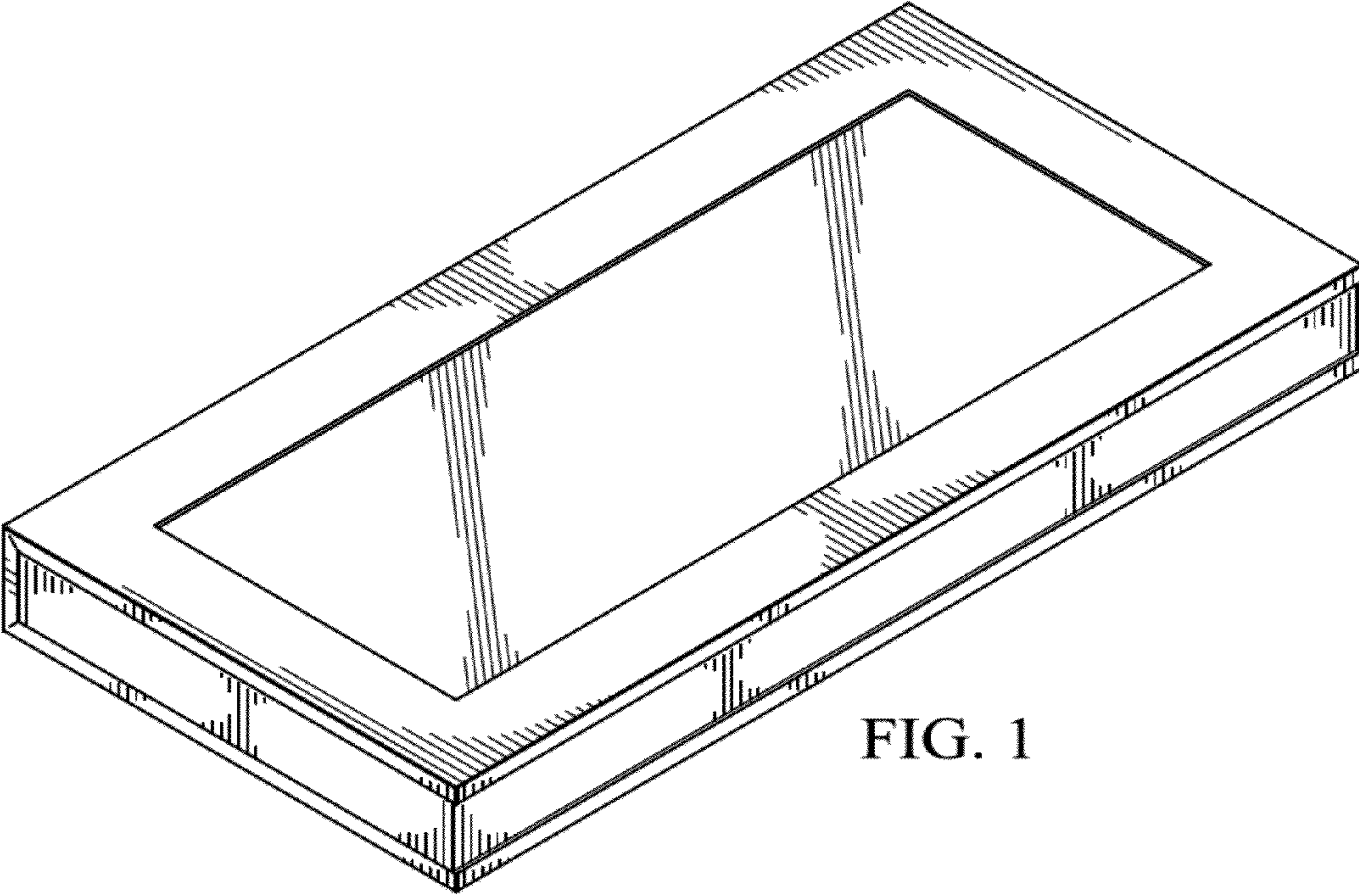


FIG. 1



FIG. 2



FIG. 3

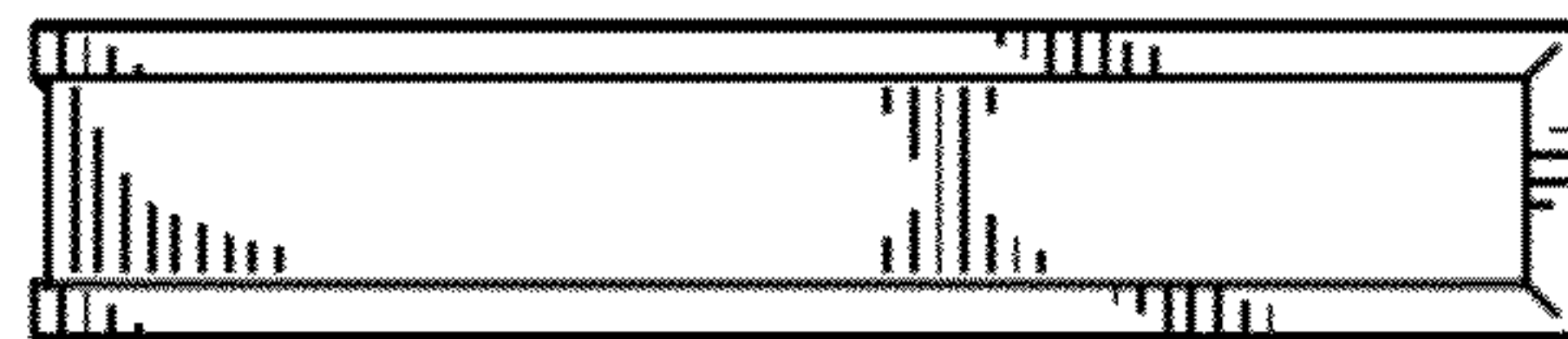


FIG. 4



FIG. 5

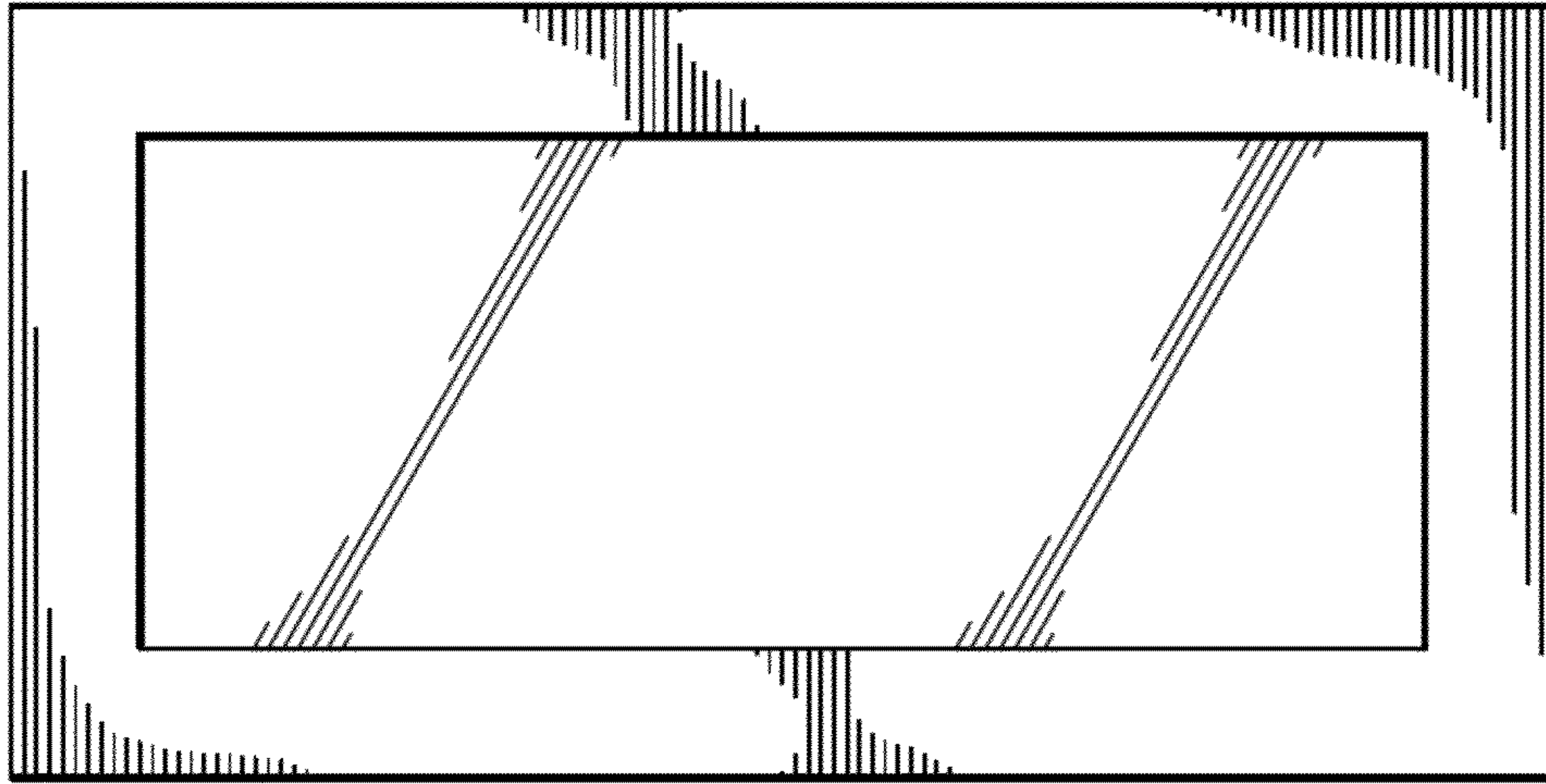


FIG. 6

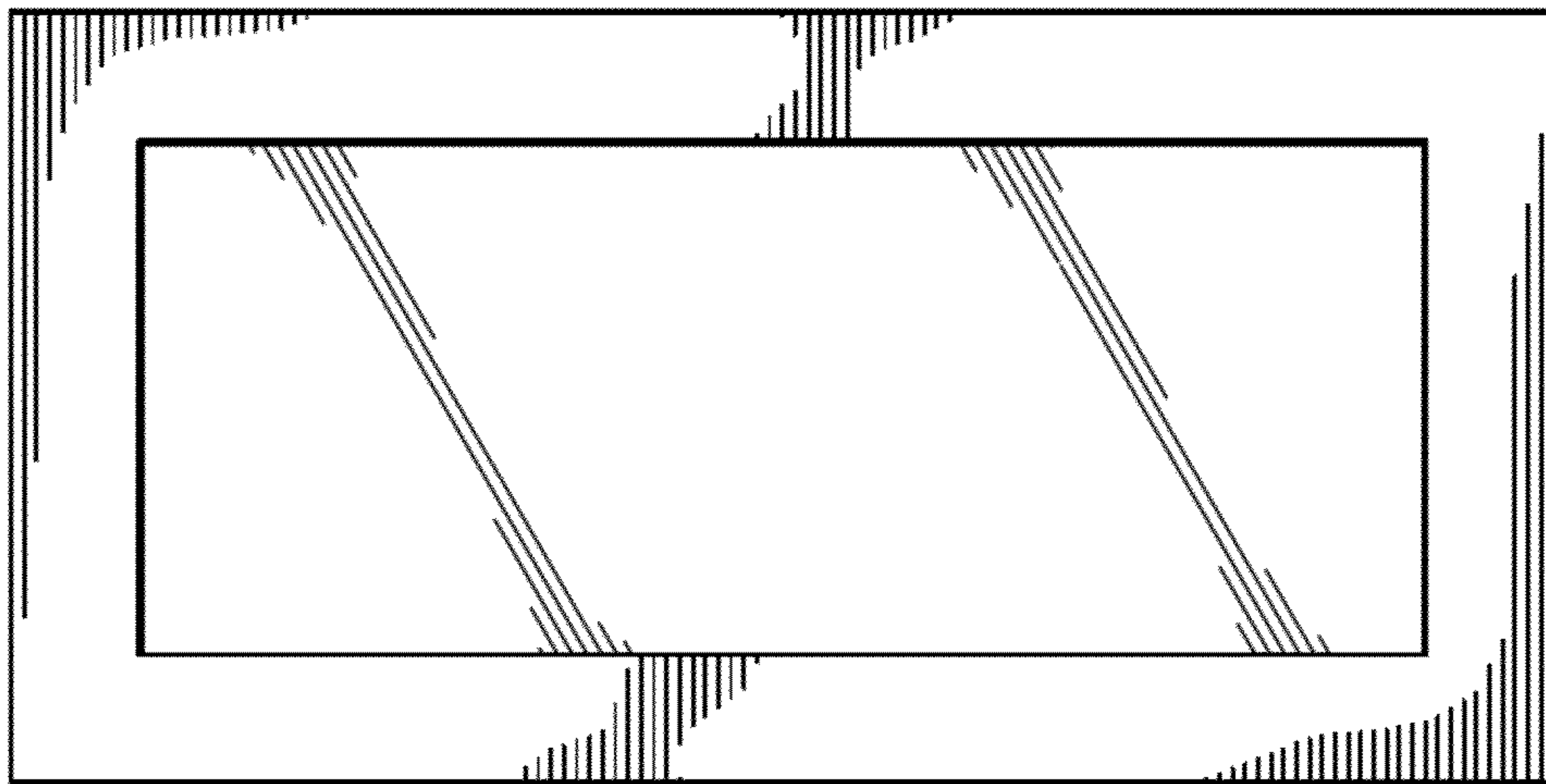


FIG. 7

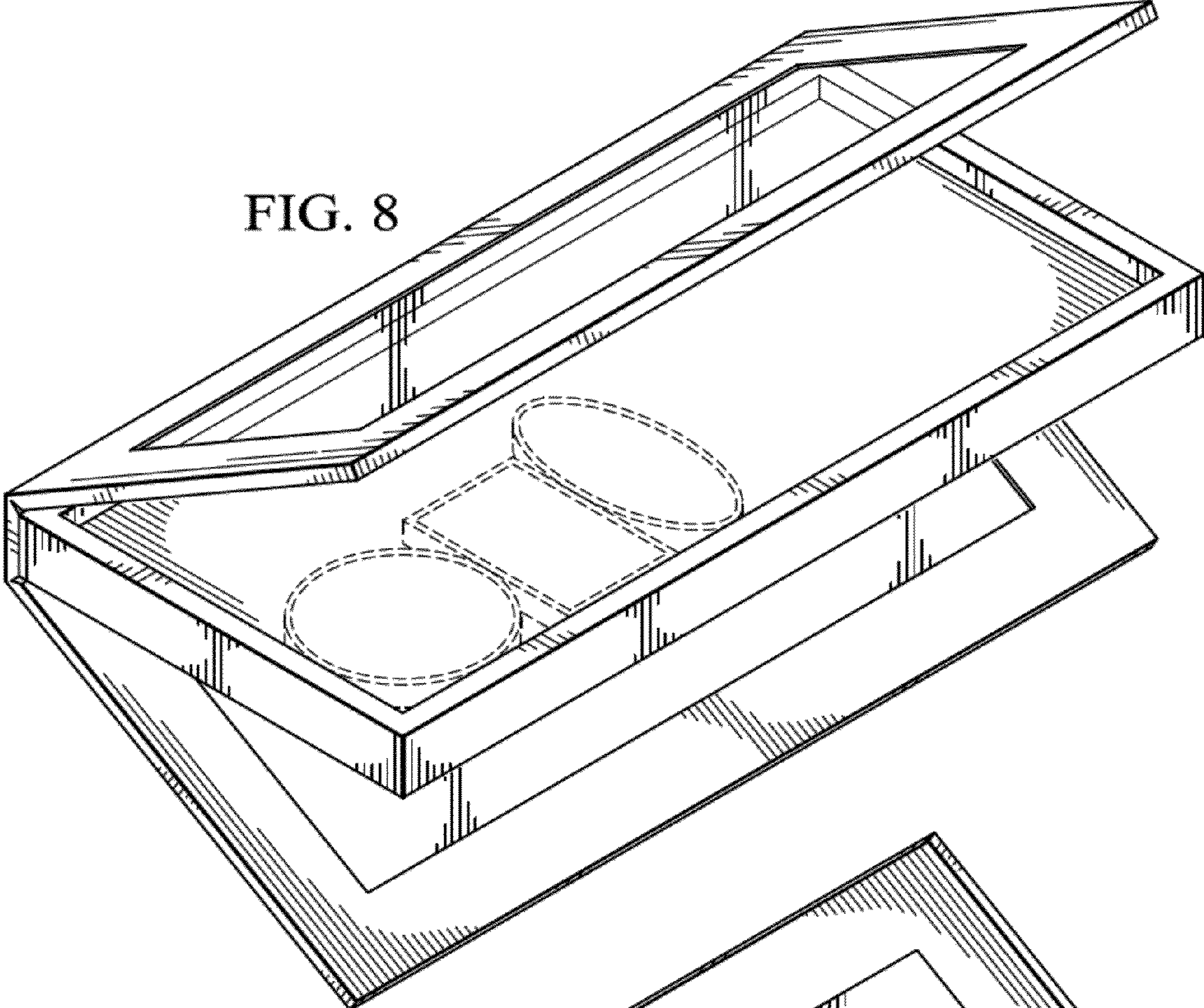


FIG. 8

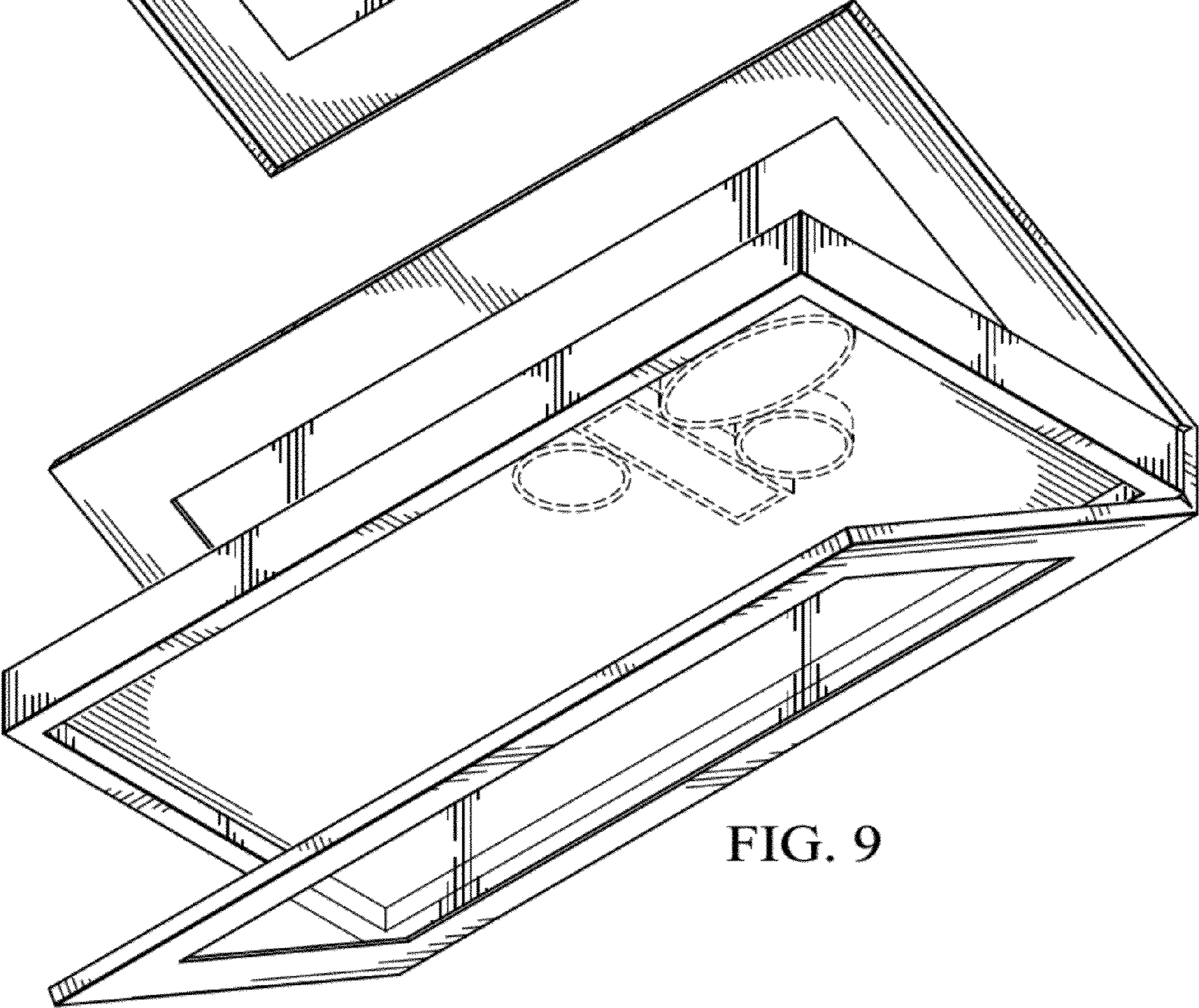


FIG. 9

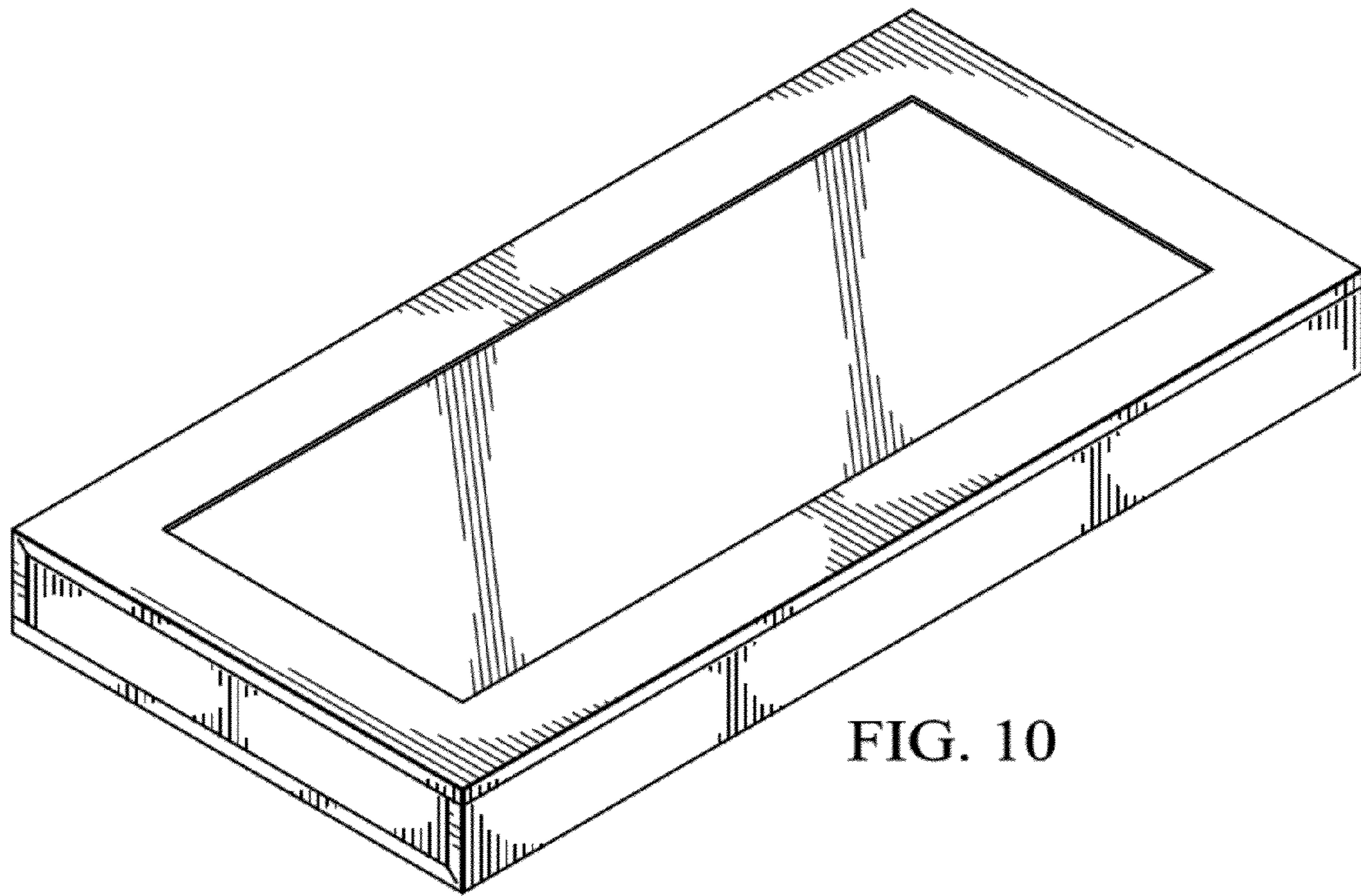


FIG. 10

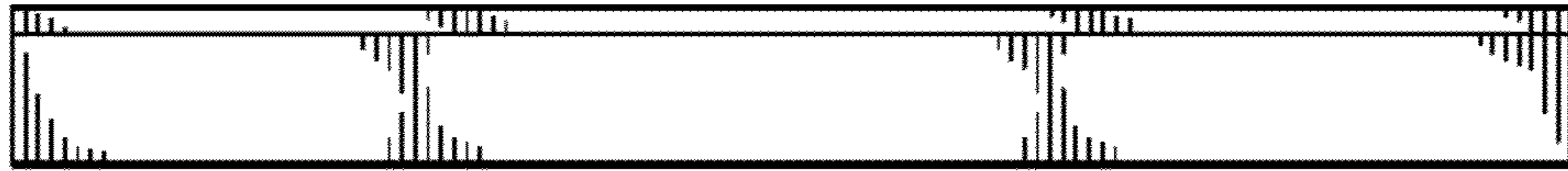


FIG. 11



FIG. 12

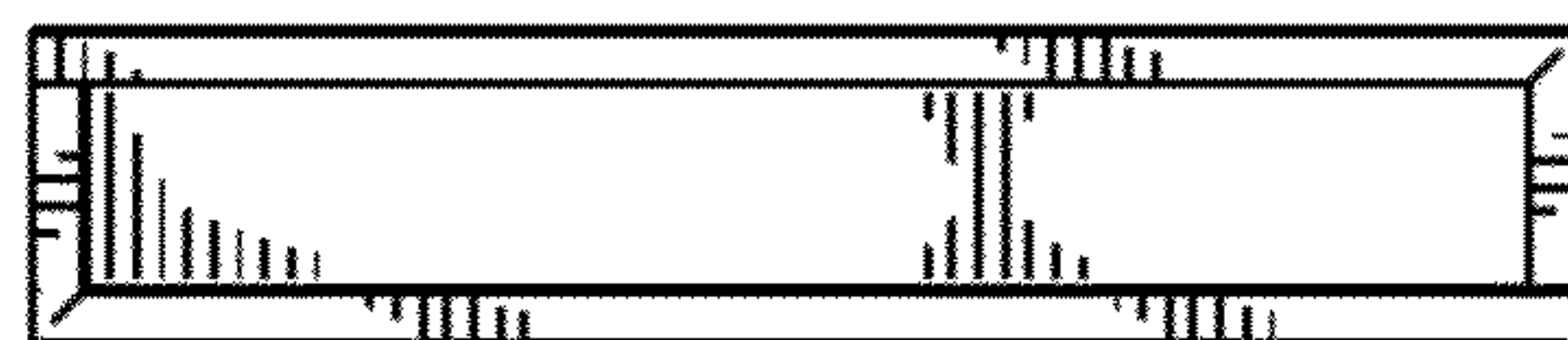


FIG. 13

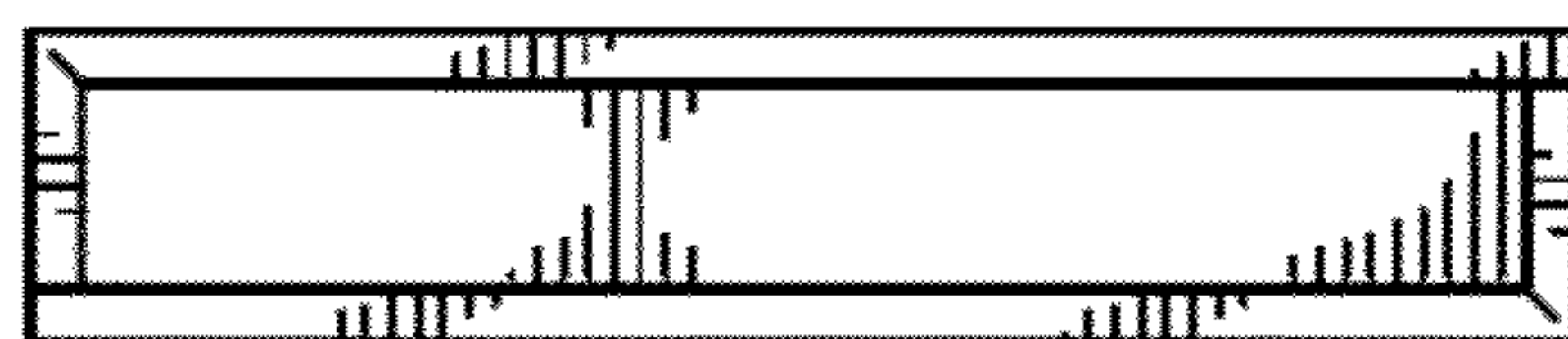


FIG. 14

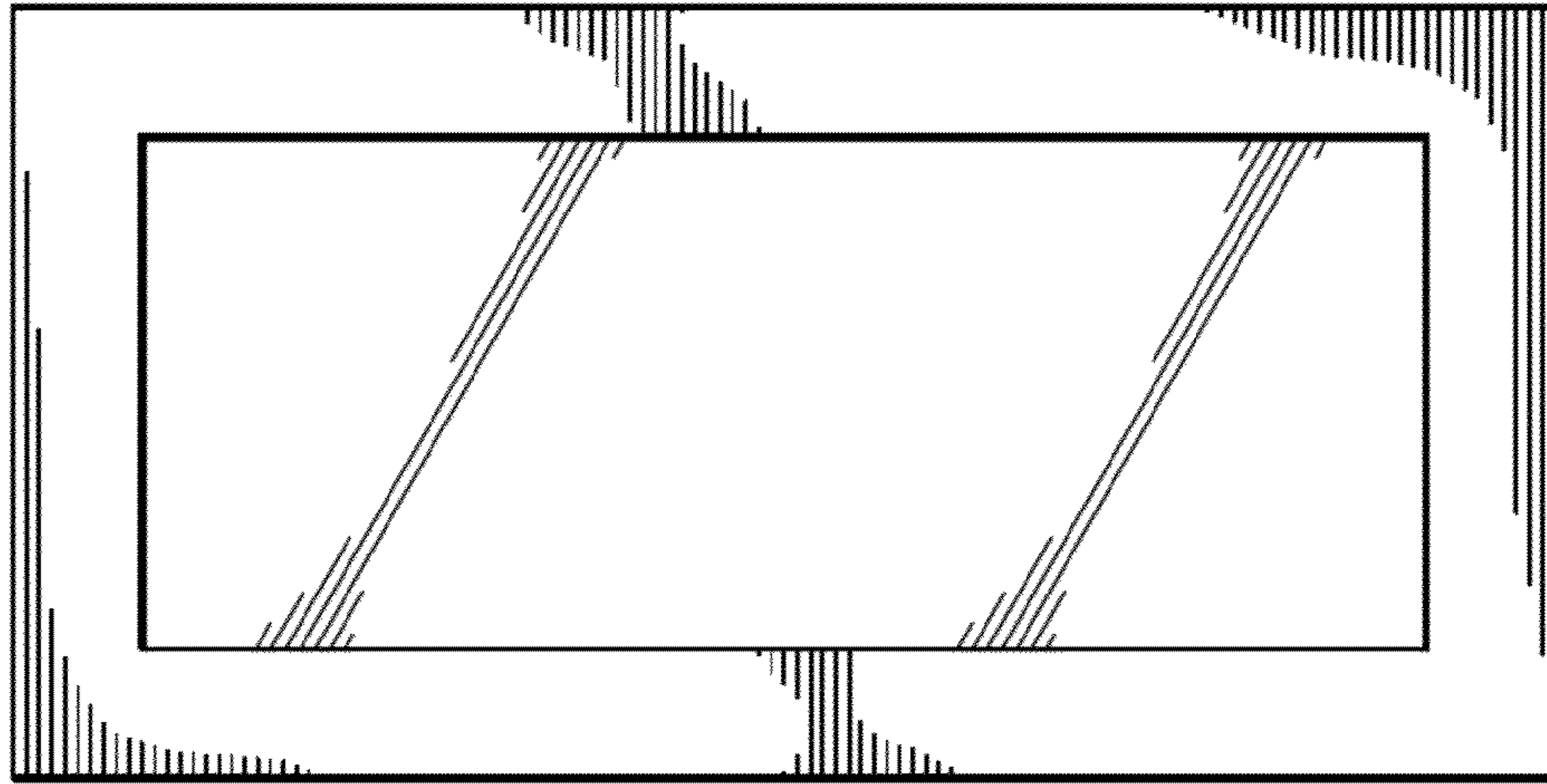


FIG. 15

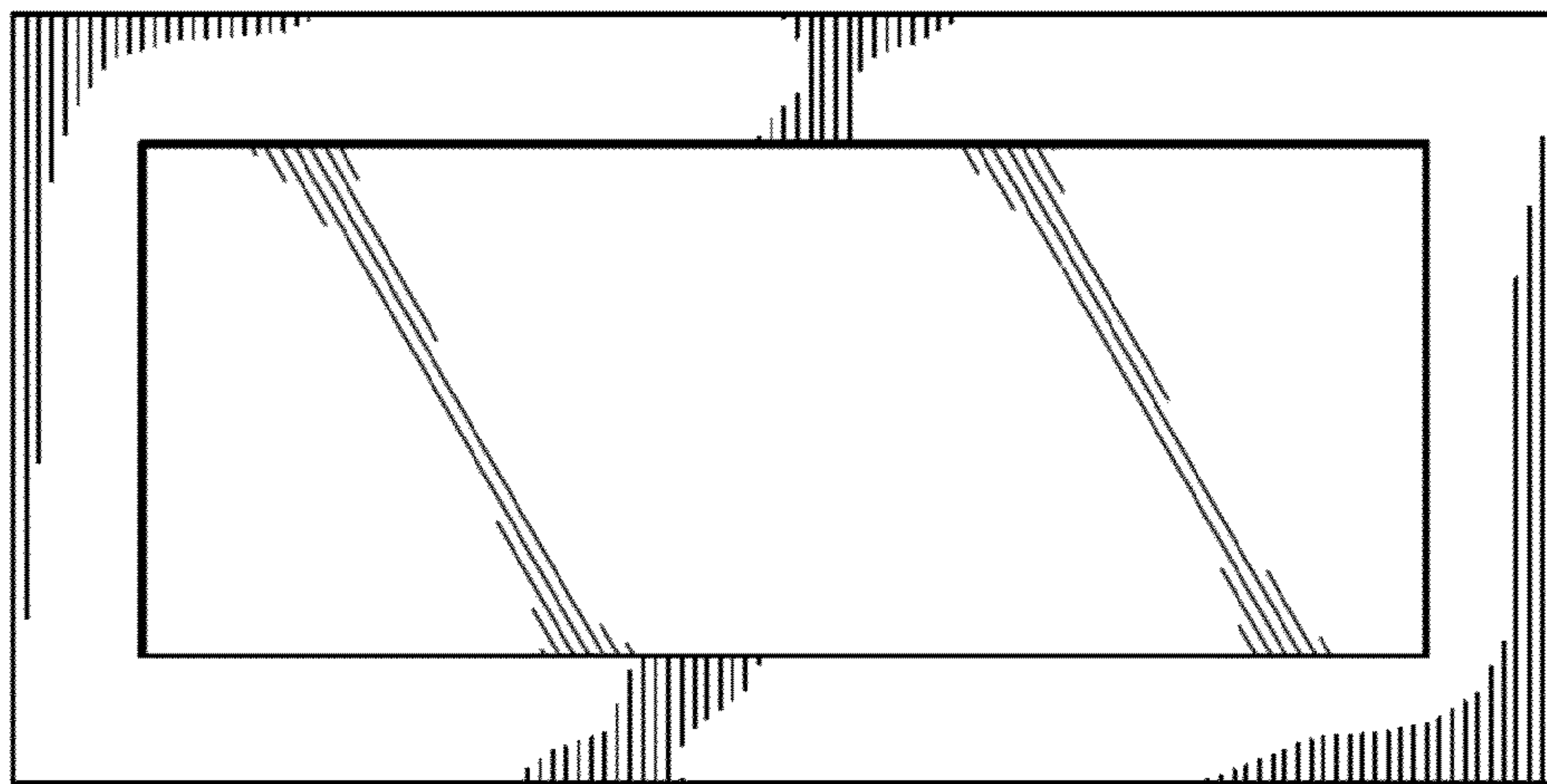


FIG. 16

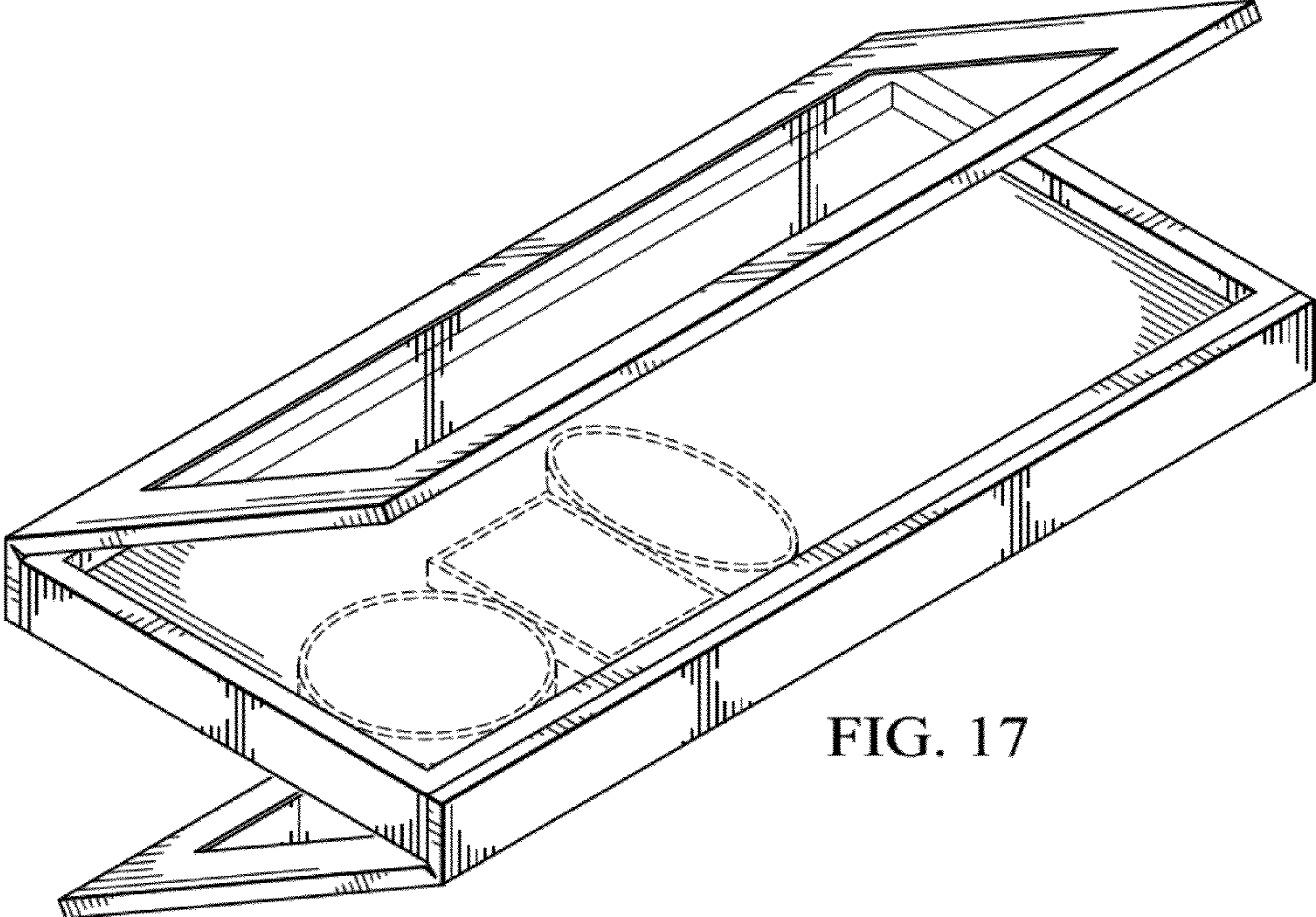


FIG. 17

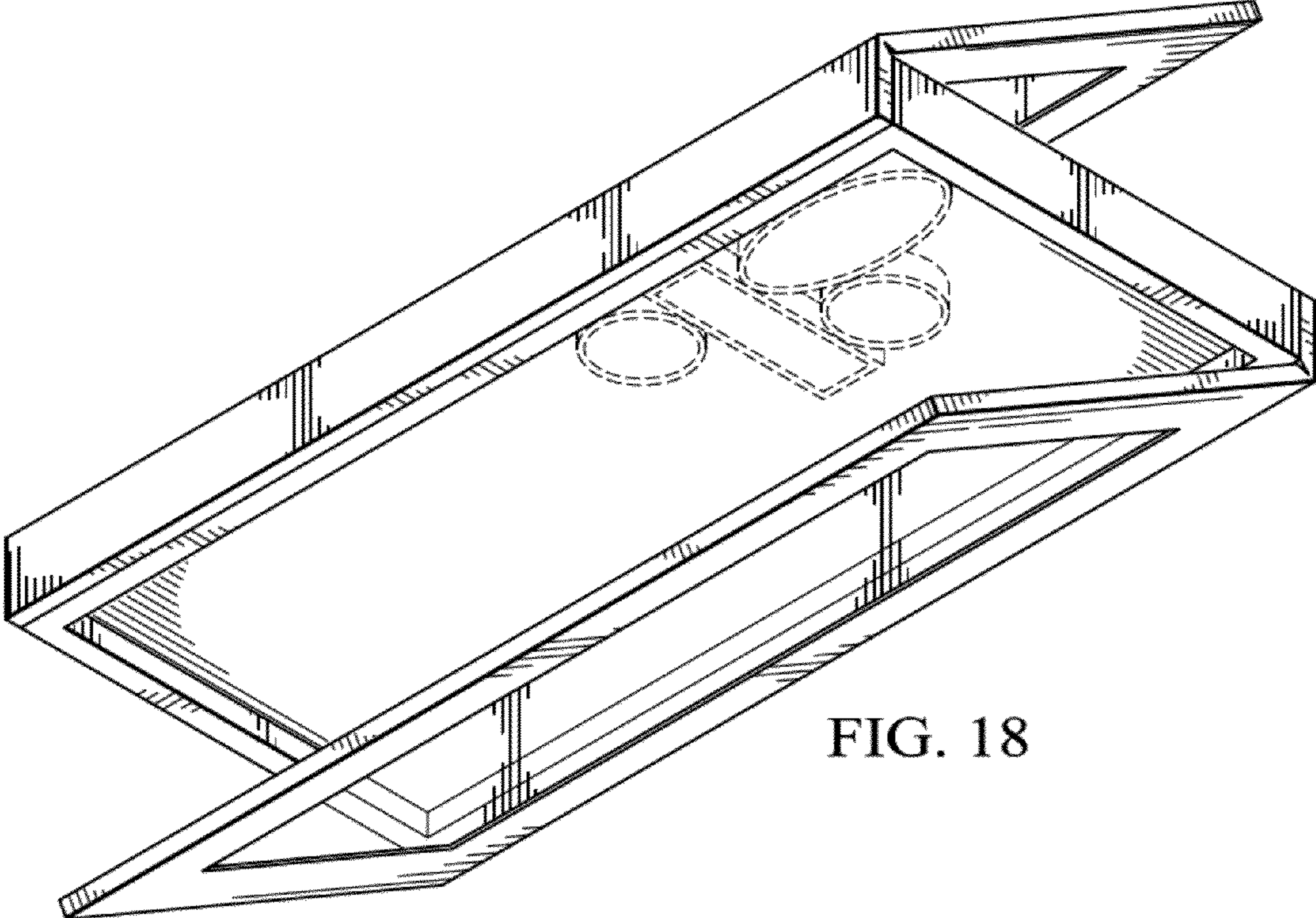


FIG. 18

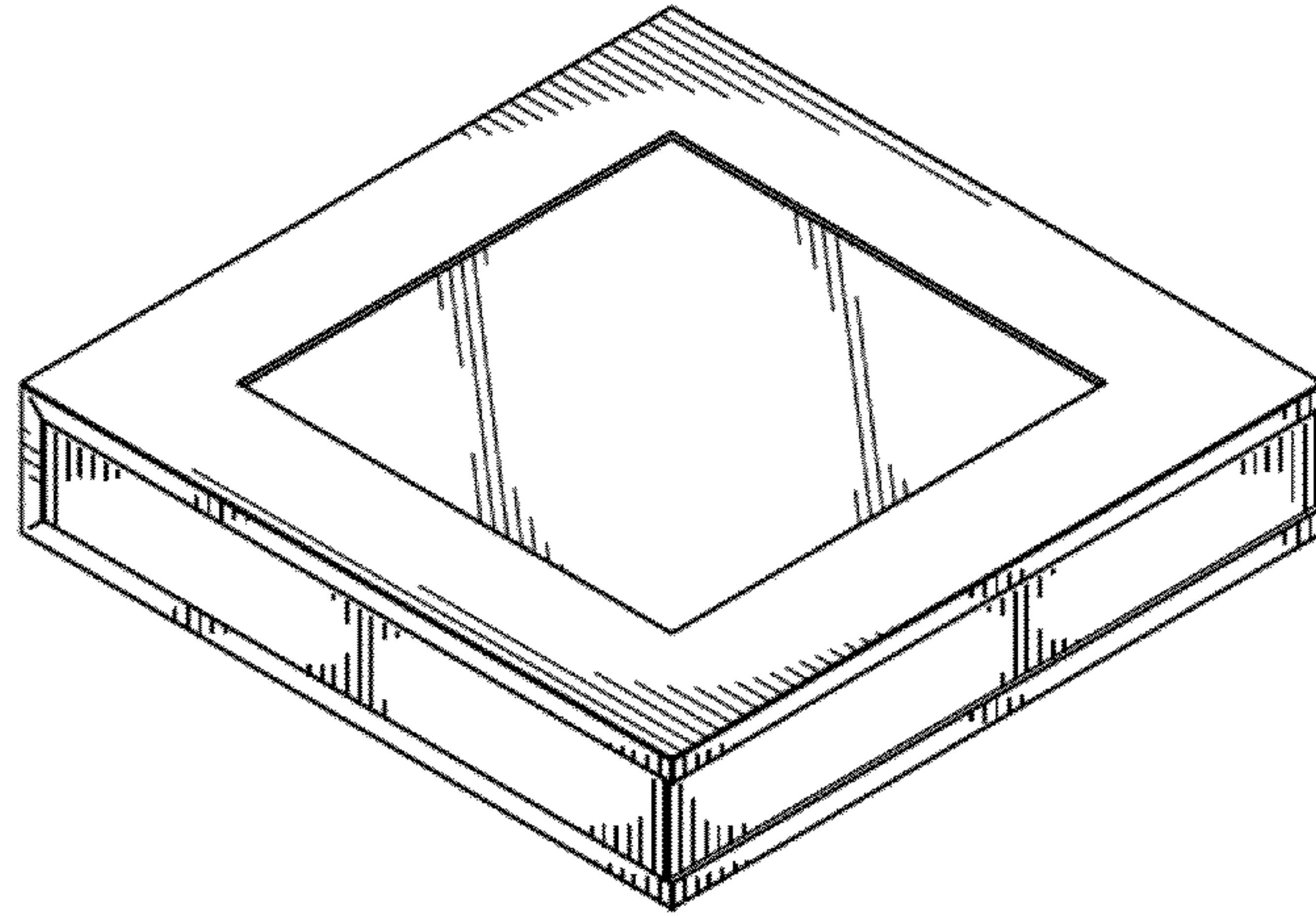


FIG. 19



FIG. 20



FIG. 21

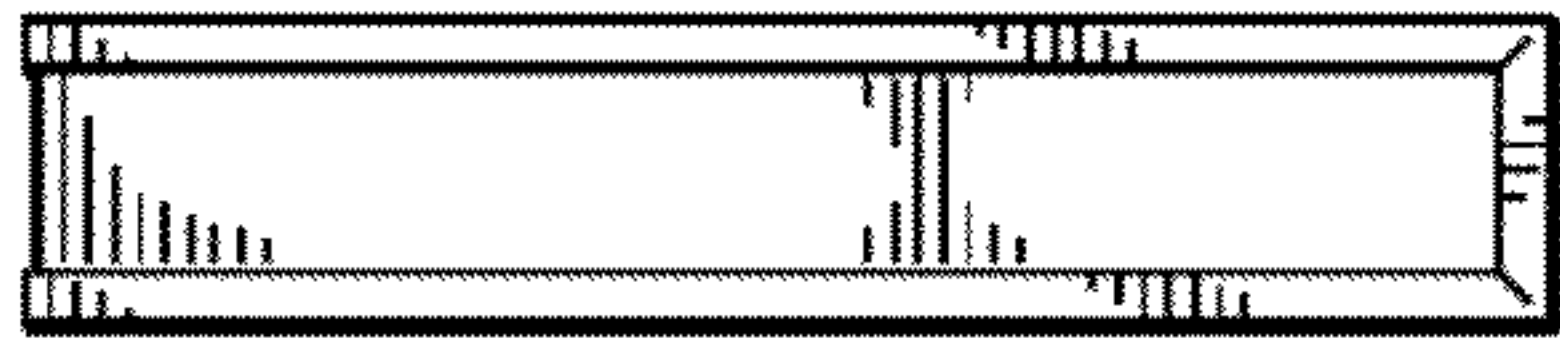


FIG. 22



FIG. 23

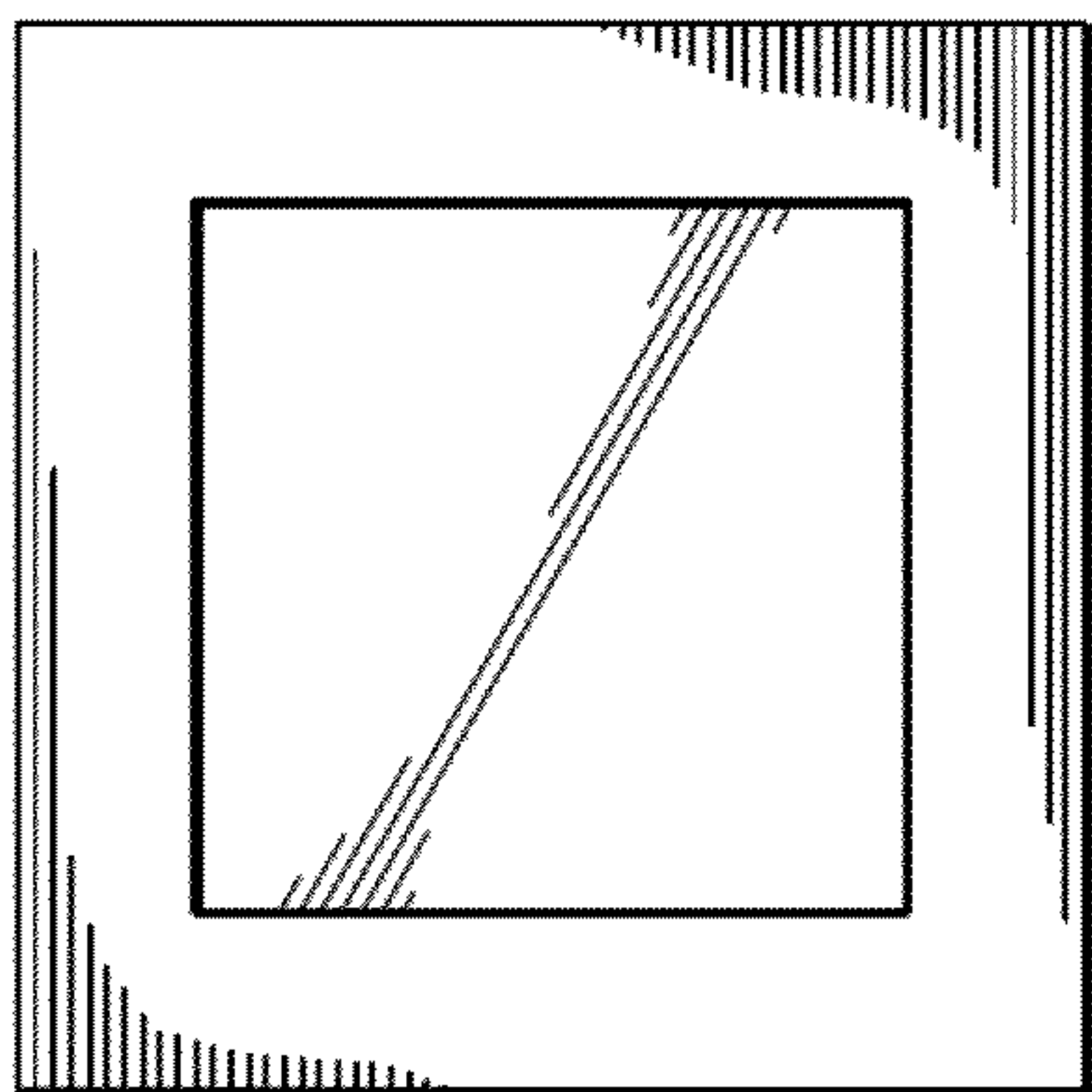


FIG. 24

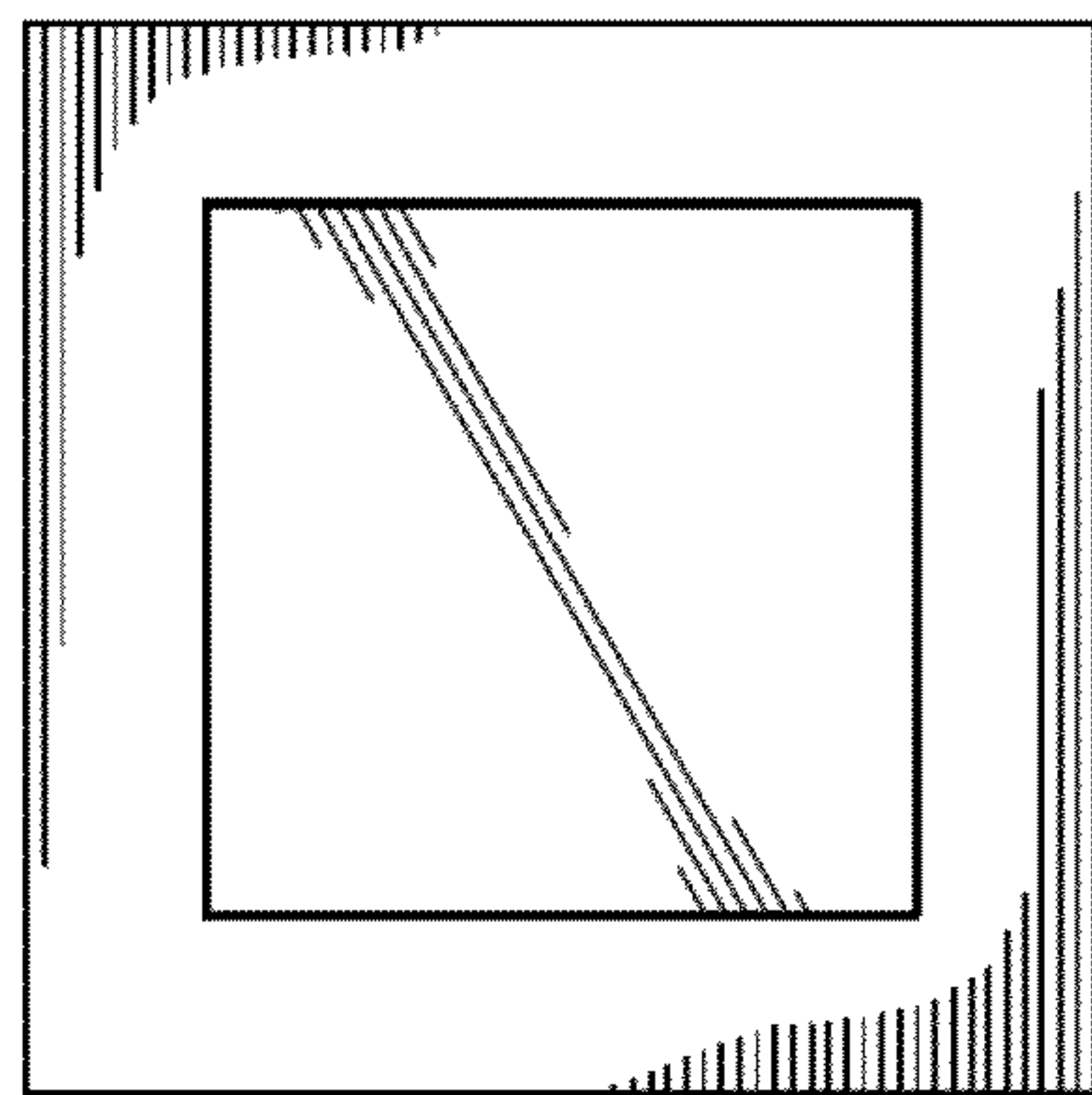


FIG. 25

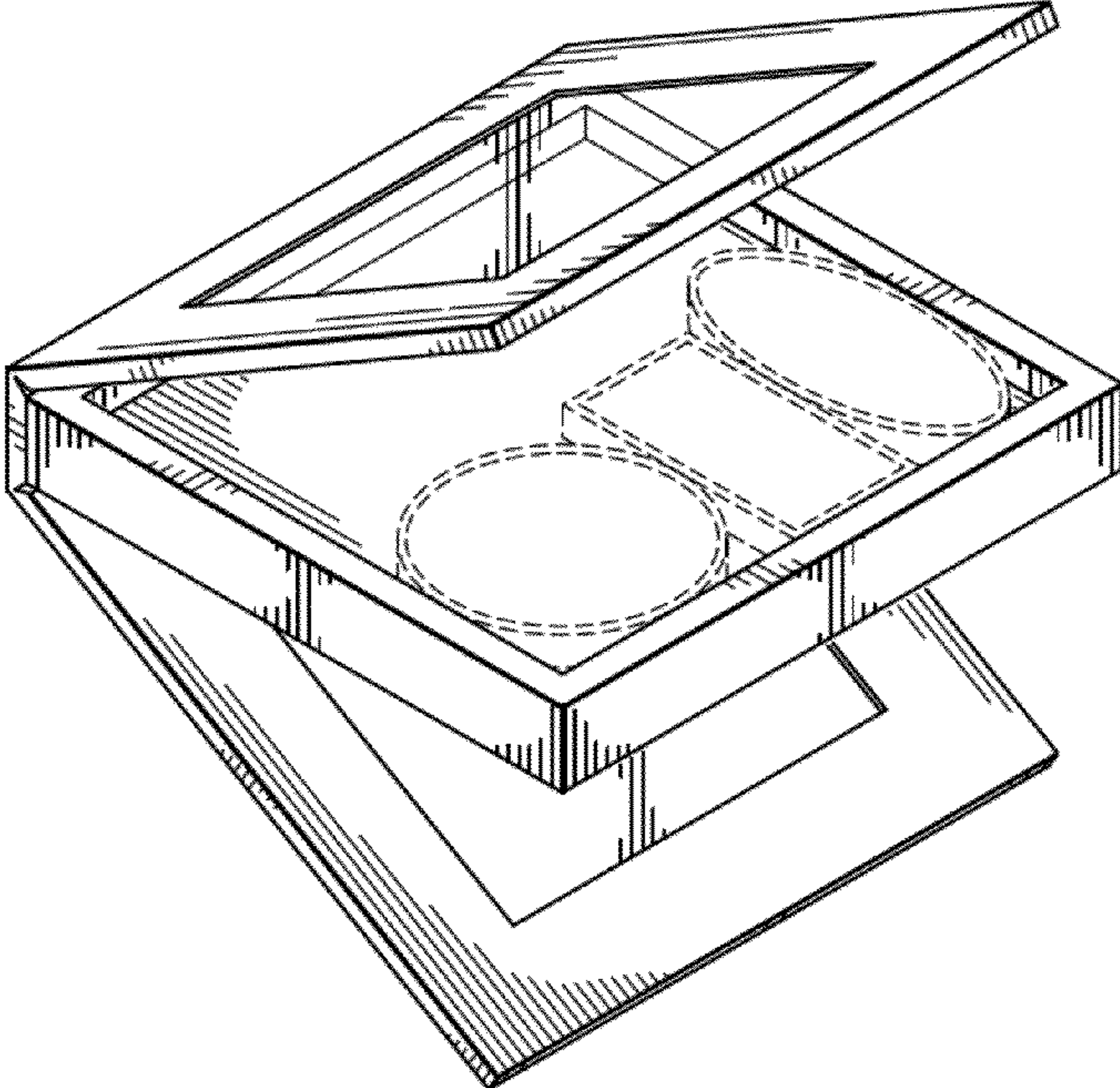


FIG. 26

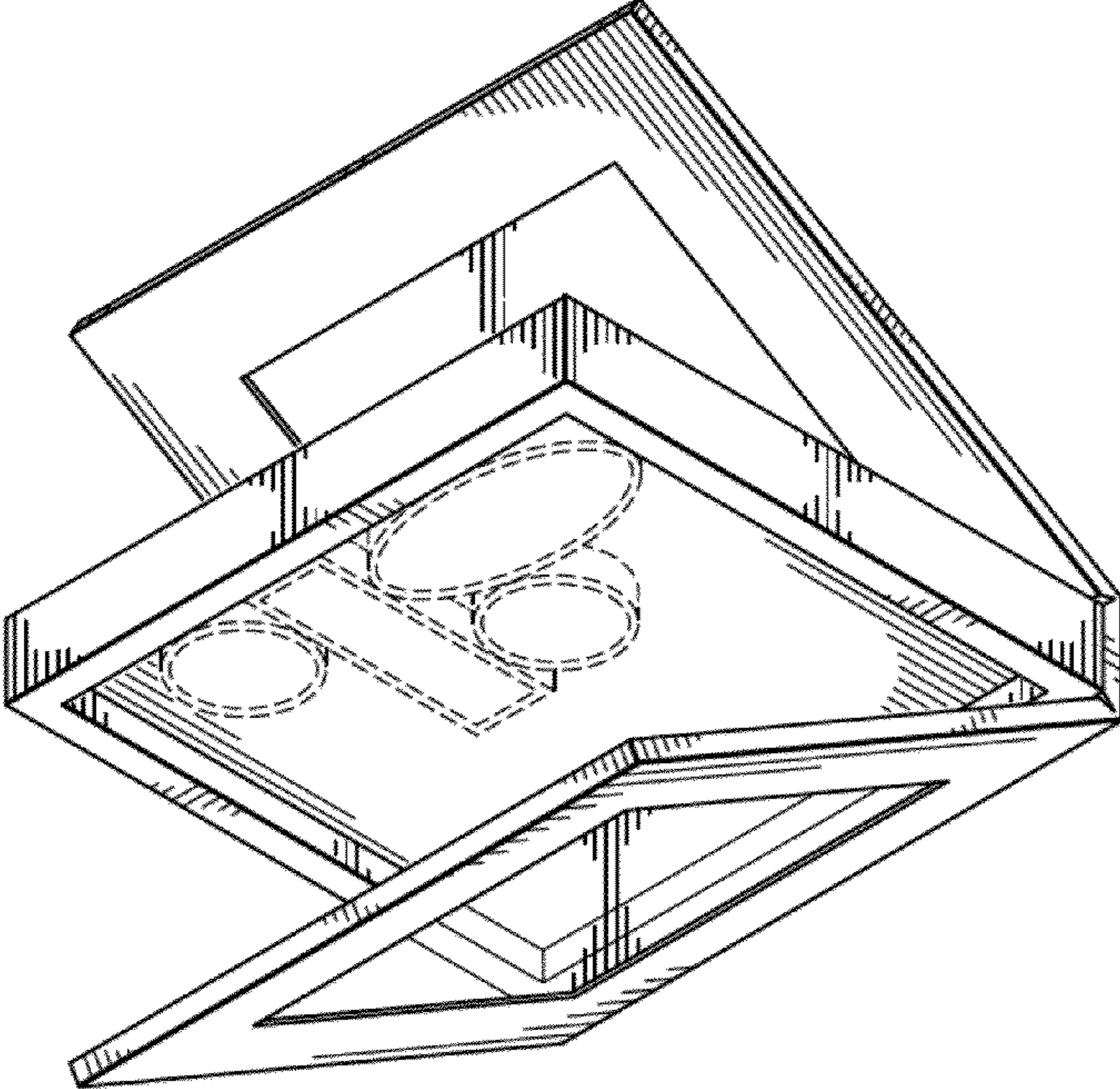


FIG. 27

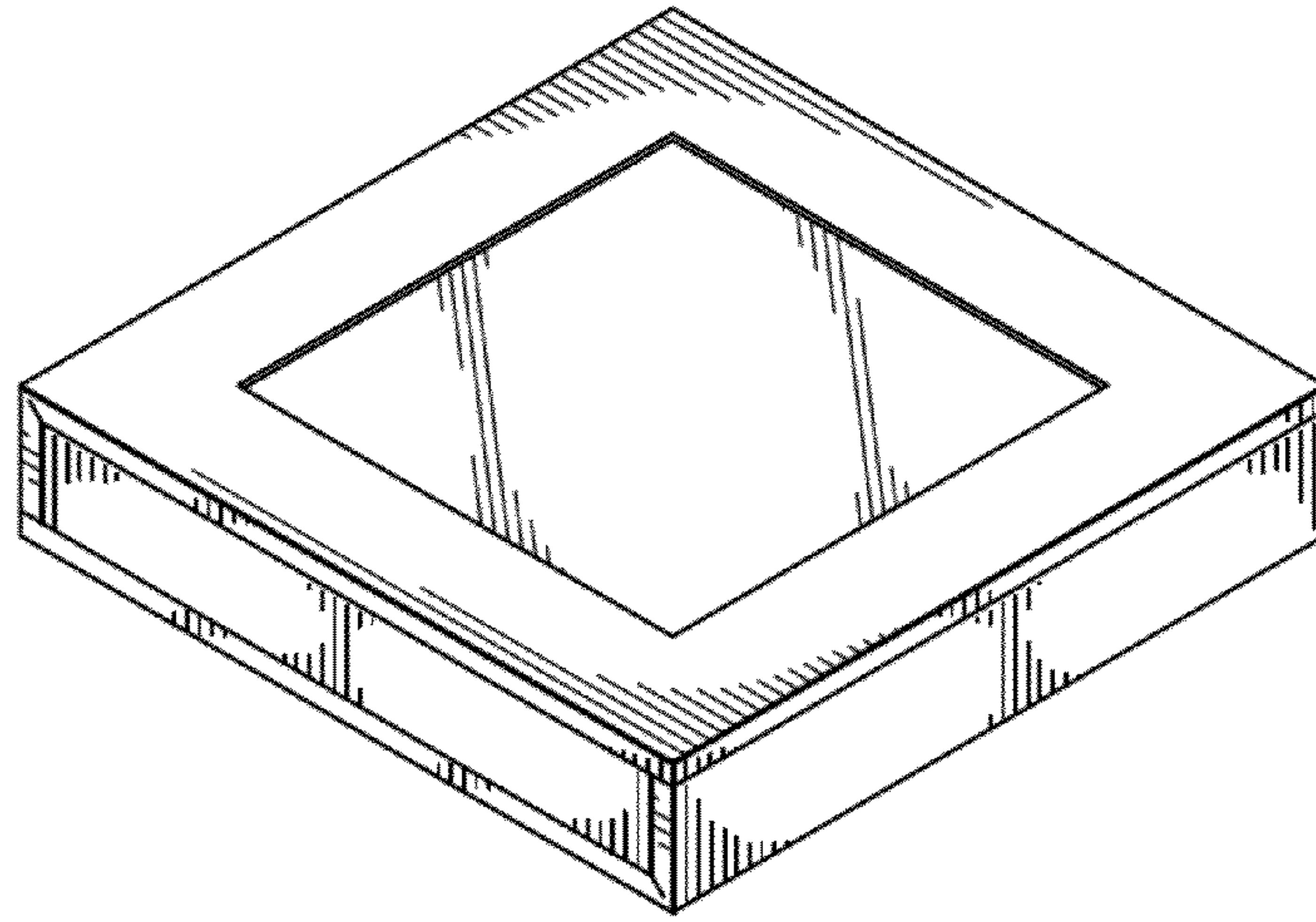


FIG. 28



FIG. 29



FIG. 30

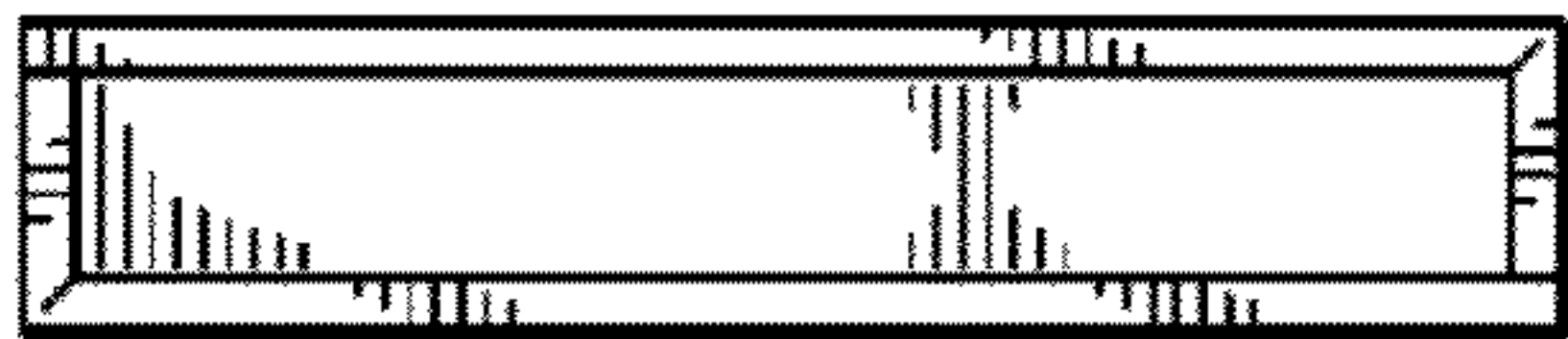


FIG. 31



FIG. 32

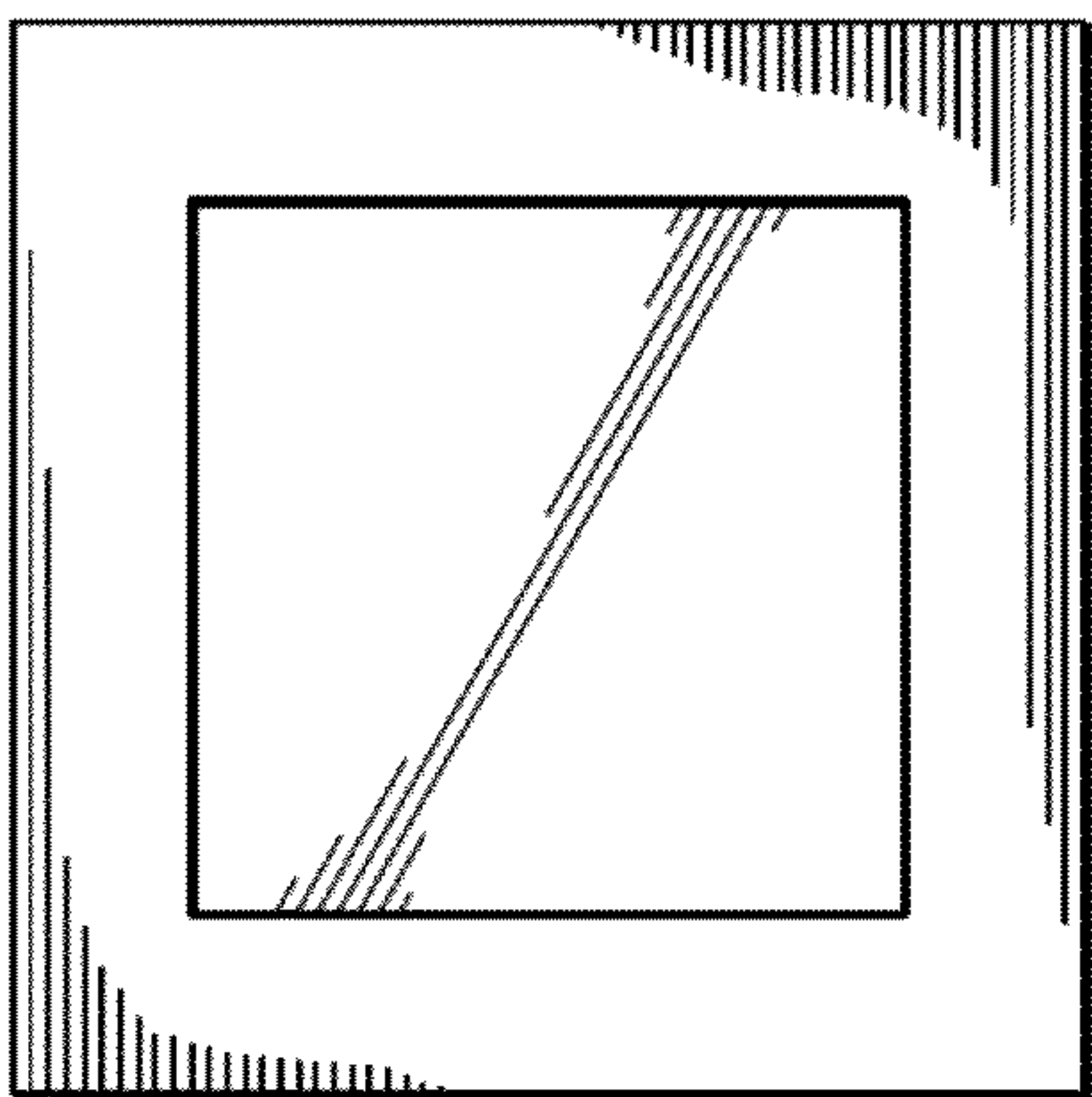


FIG. 33

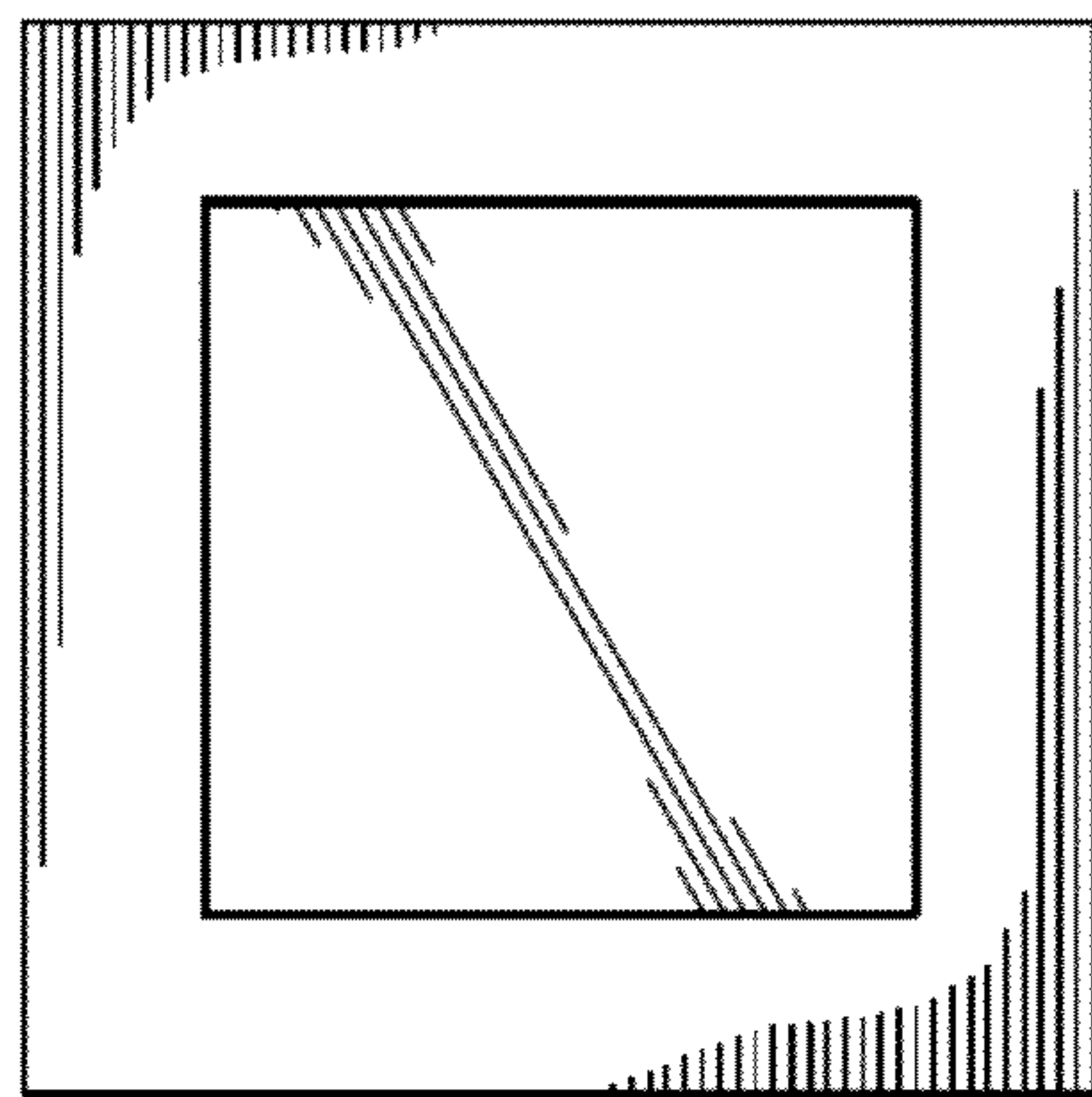


FIG. 34

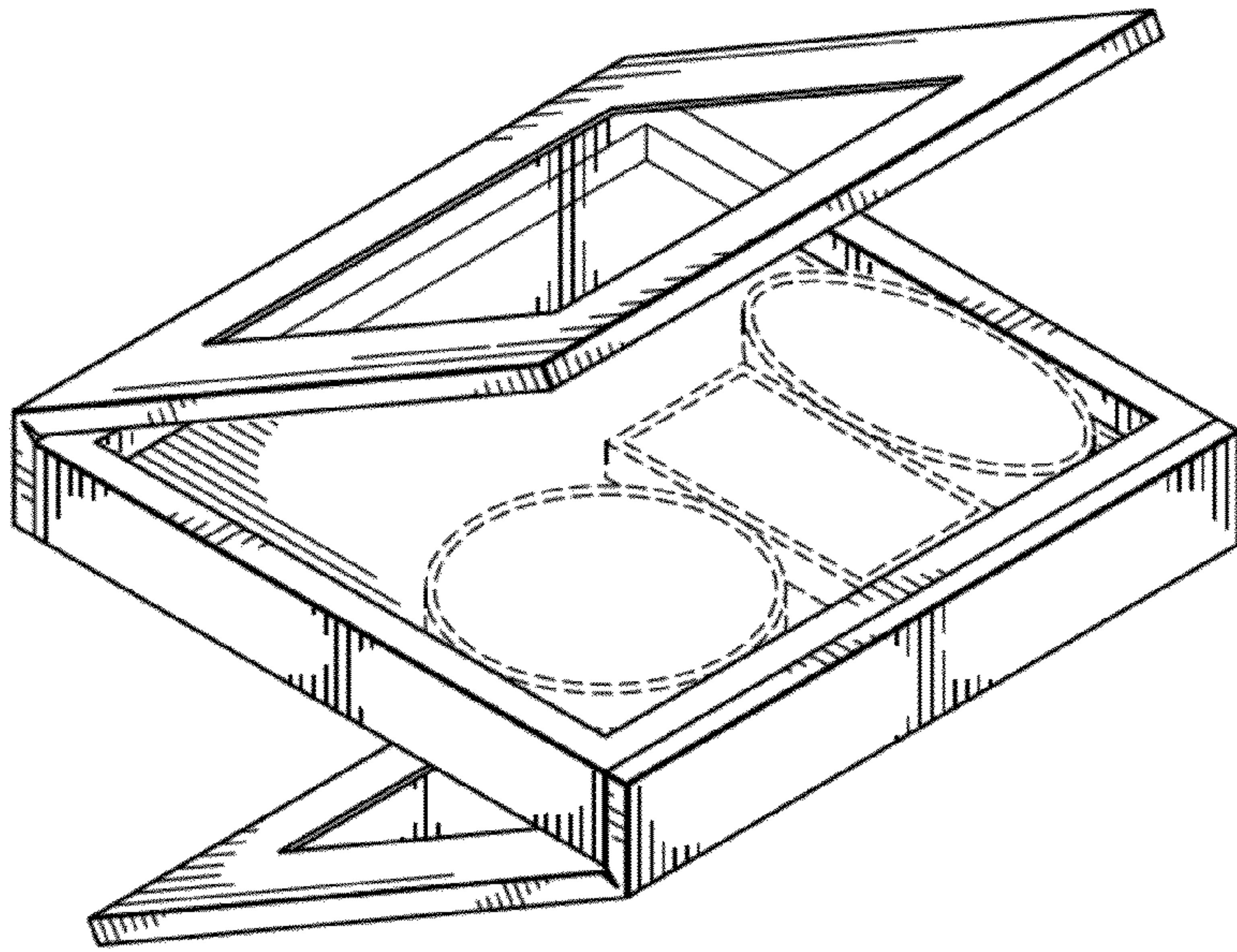


FIG. 35

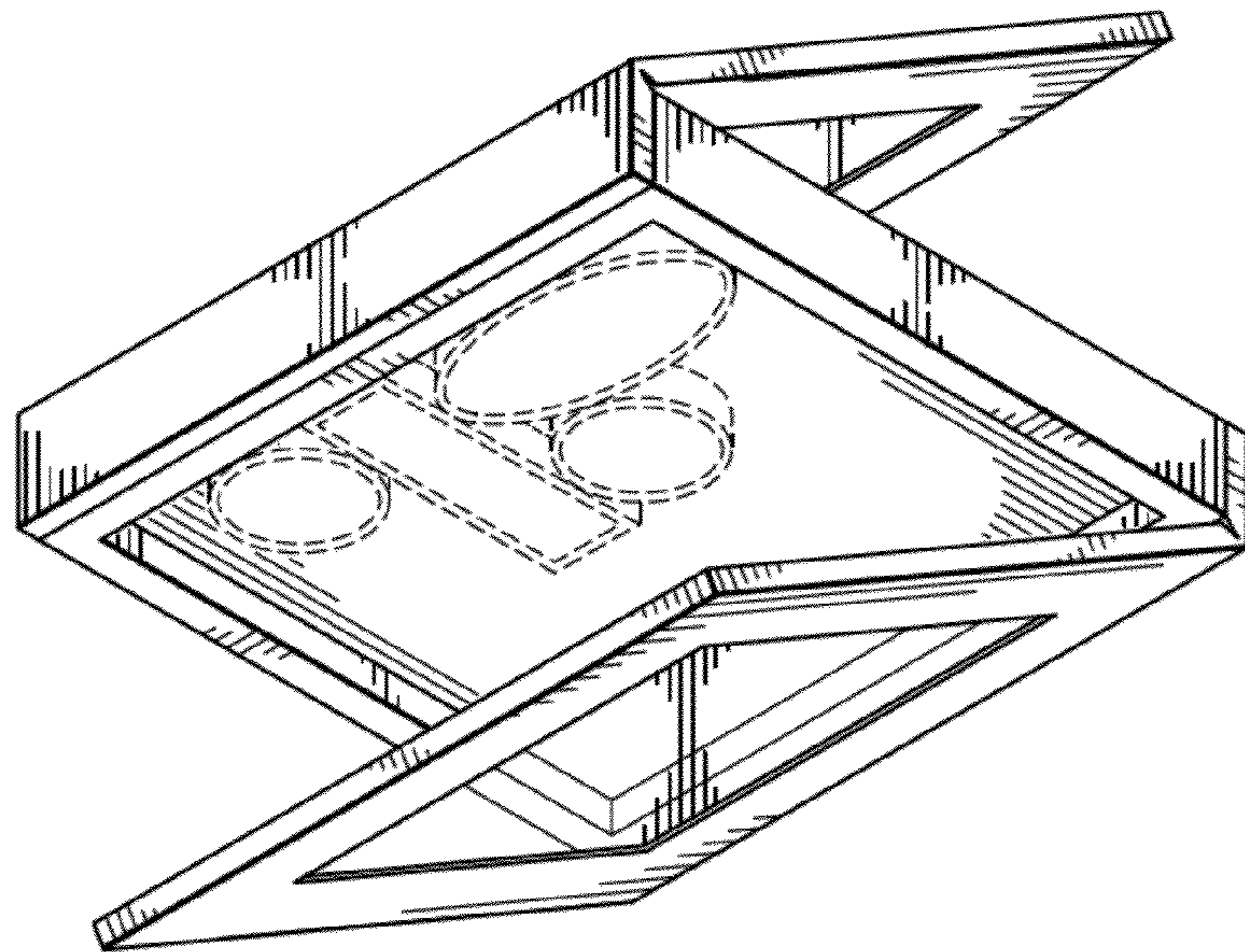


FIG. 36

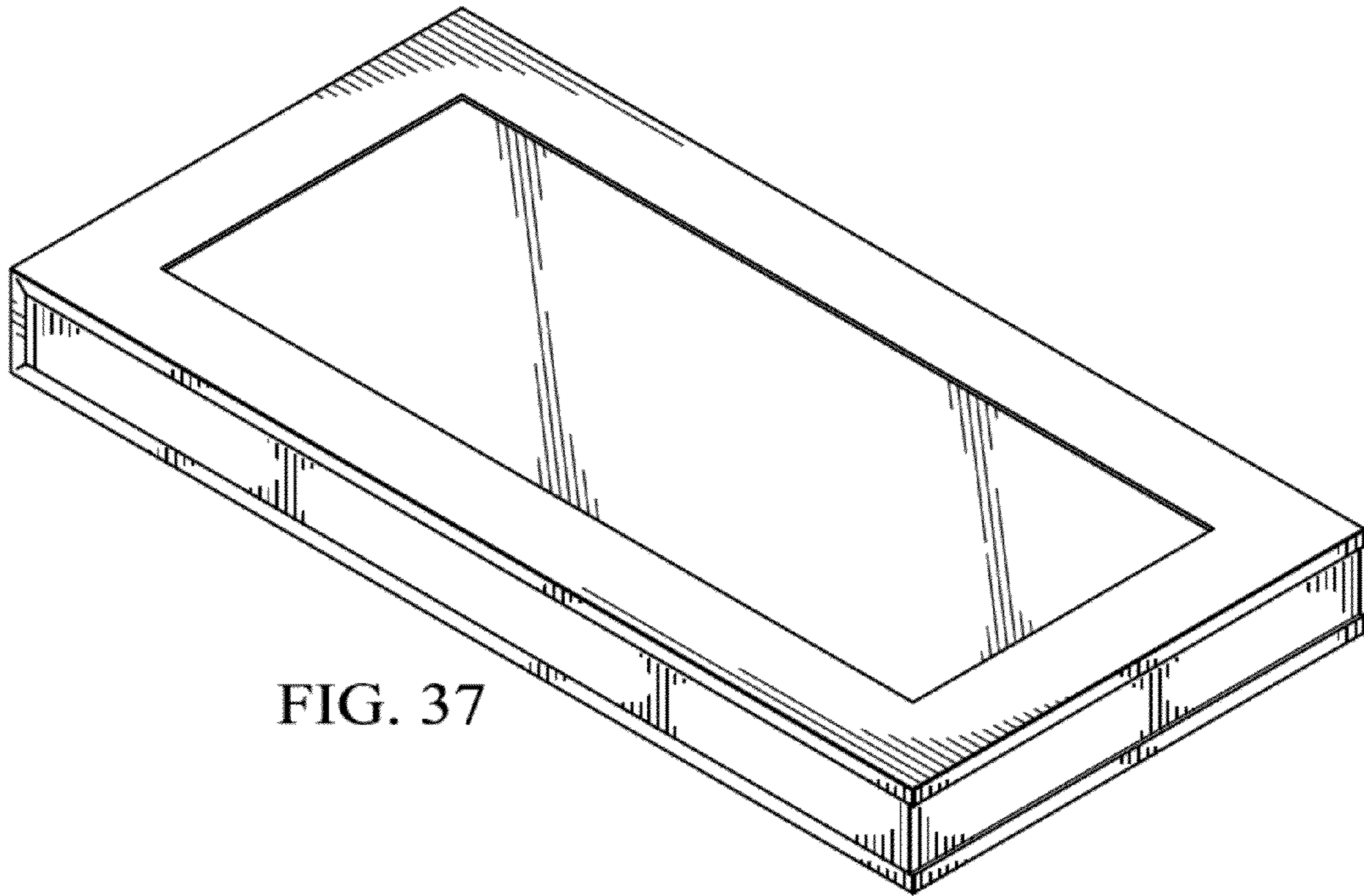


FIG. 37

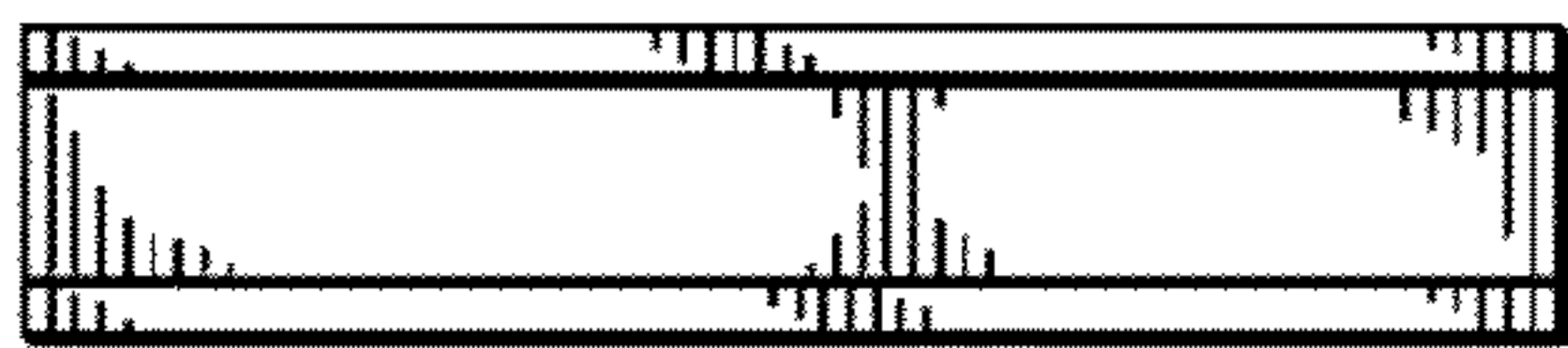


FIG. 38

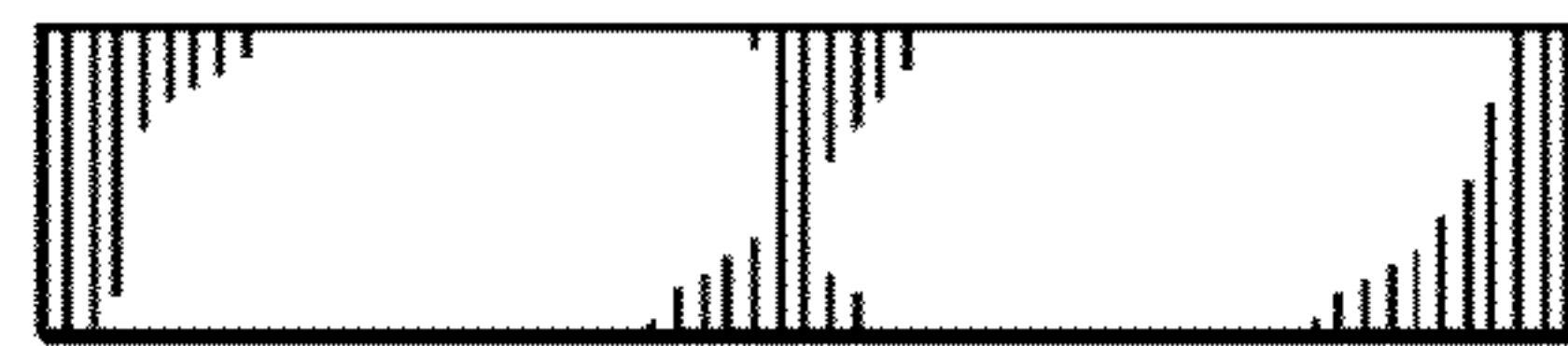


FIG. 39



FIG. 40

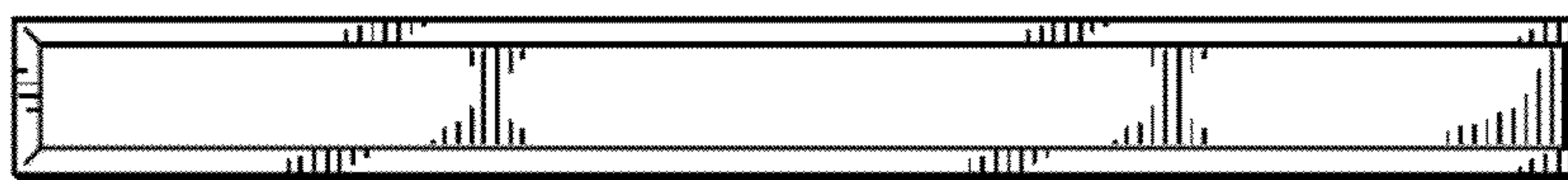


FIG. 41

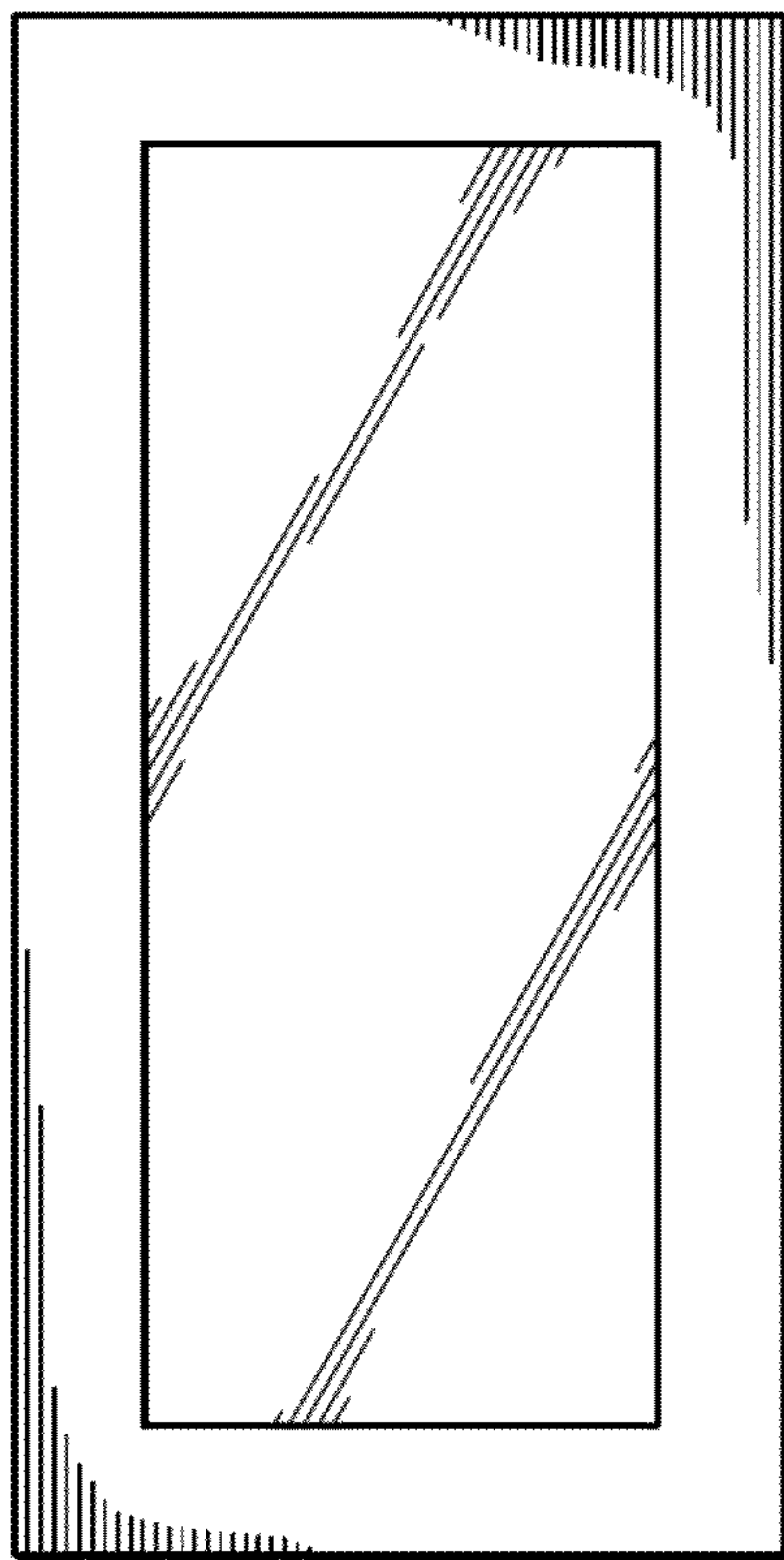


FIG. 42

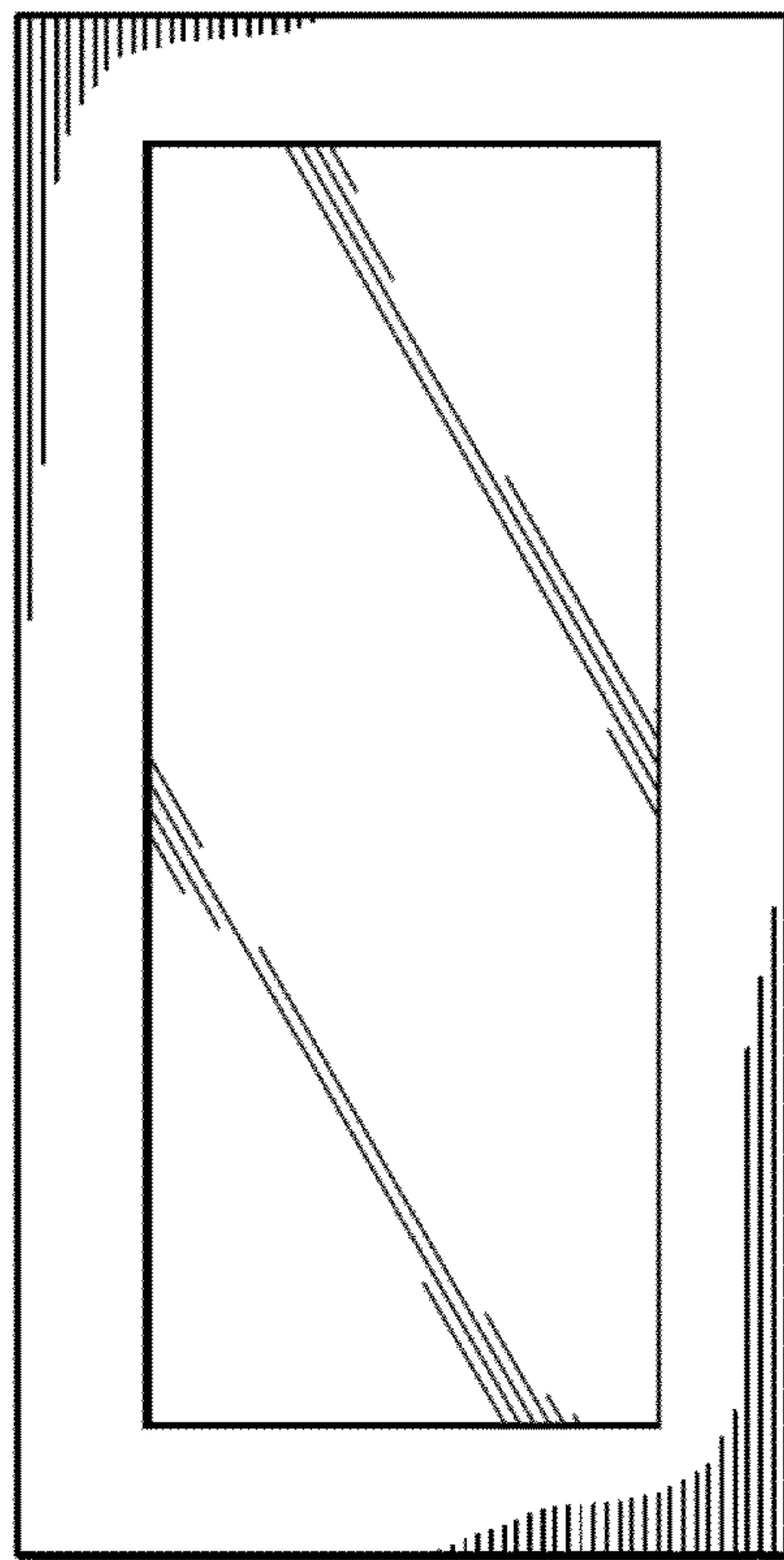


FIG. 43

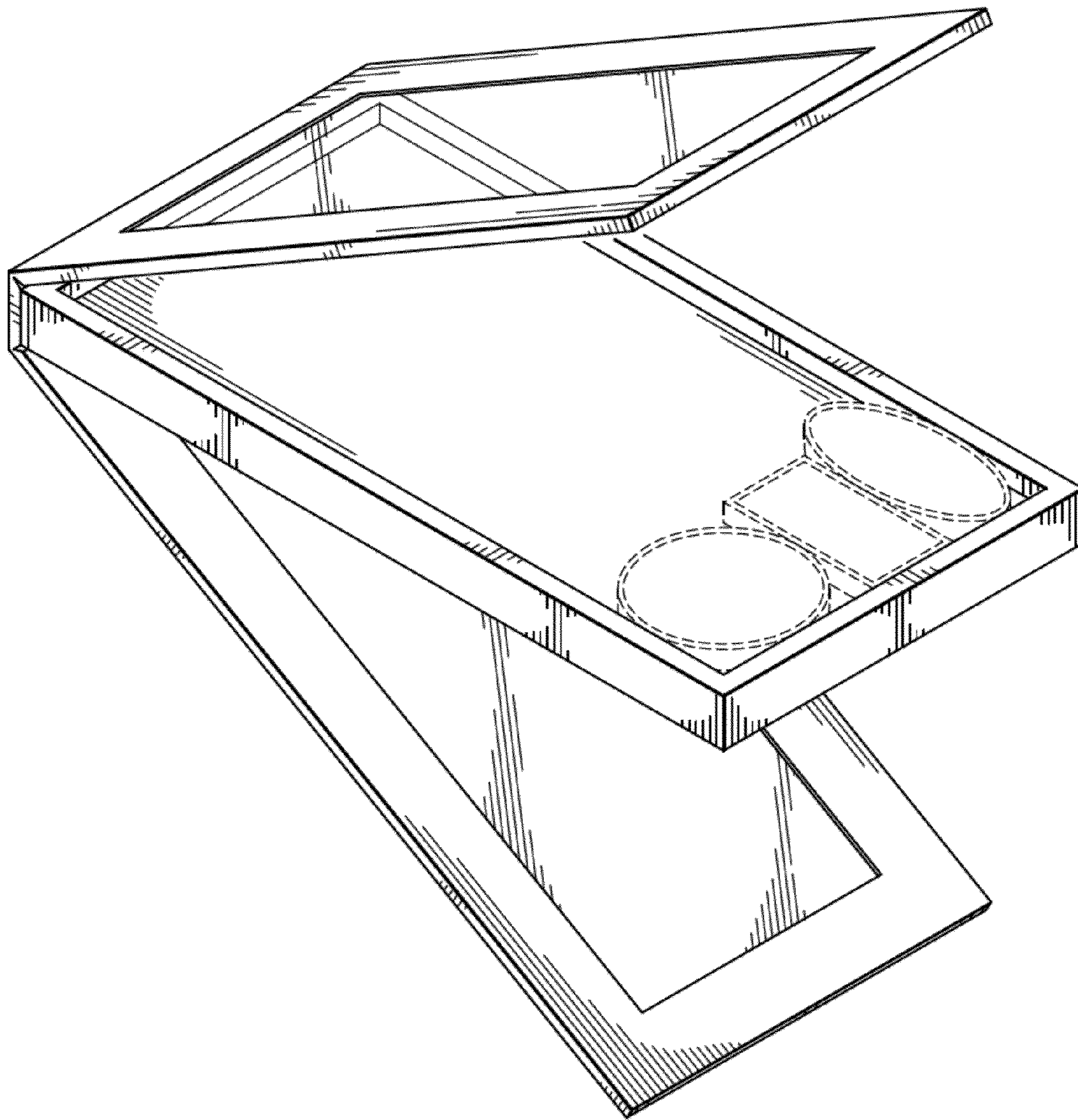


FIG. 44

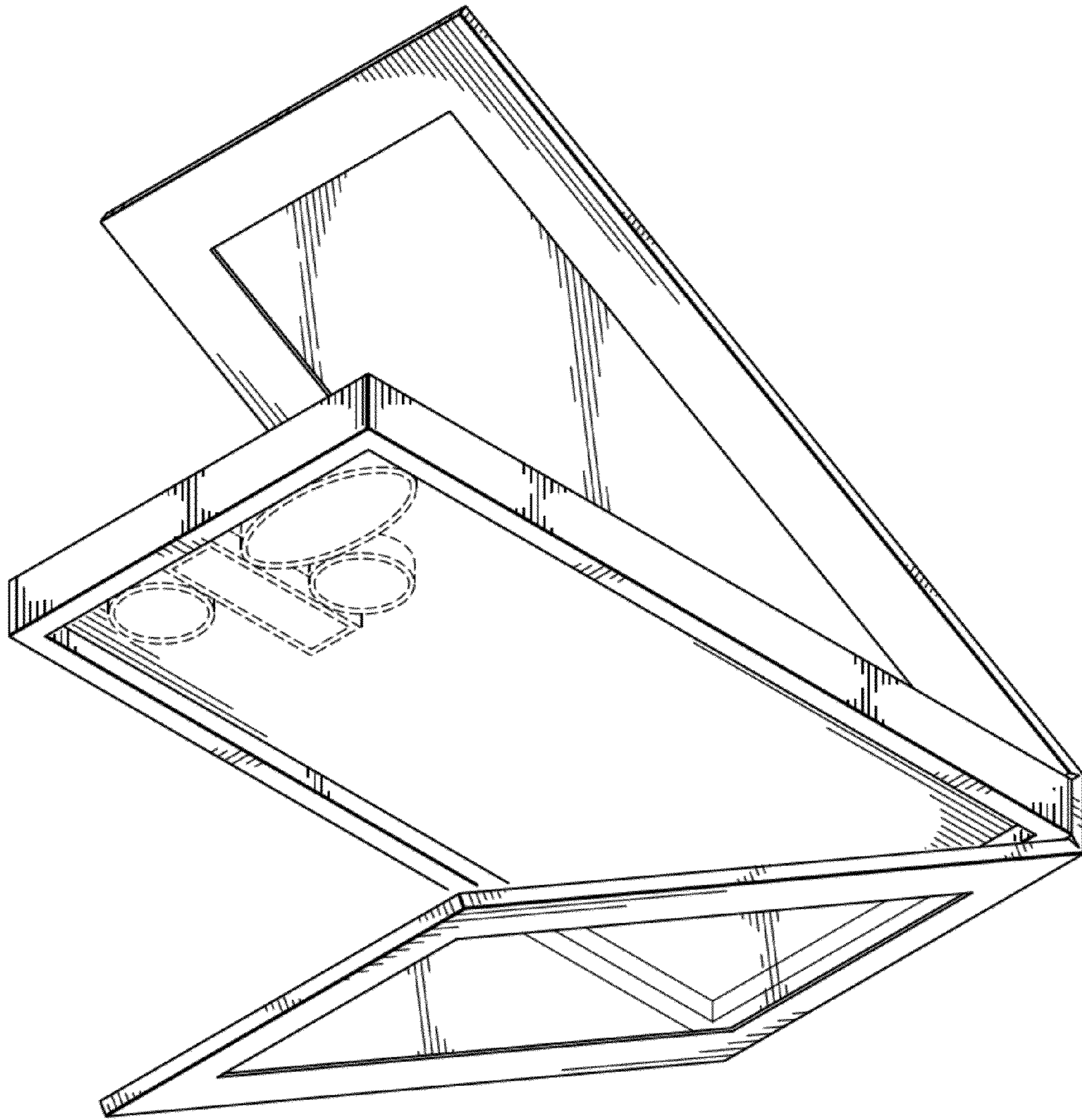


FIG. 45

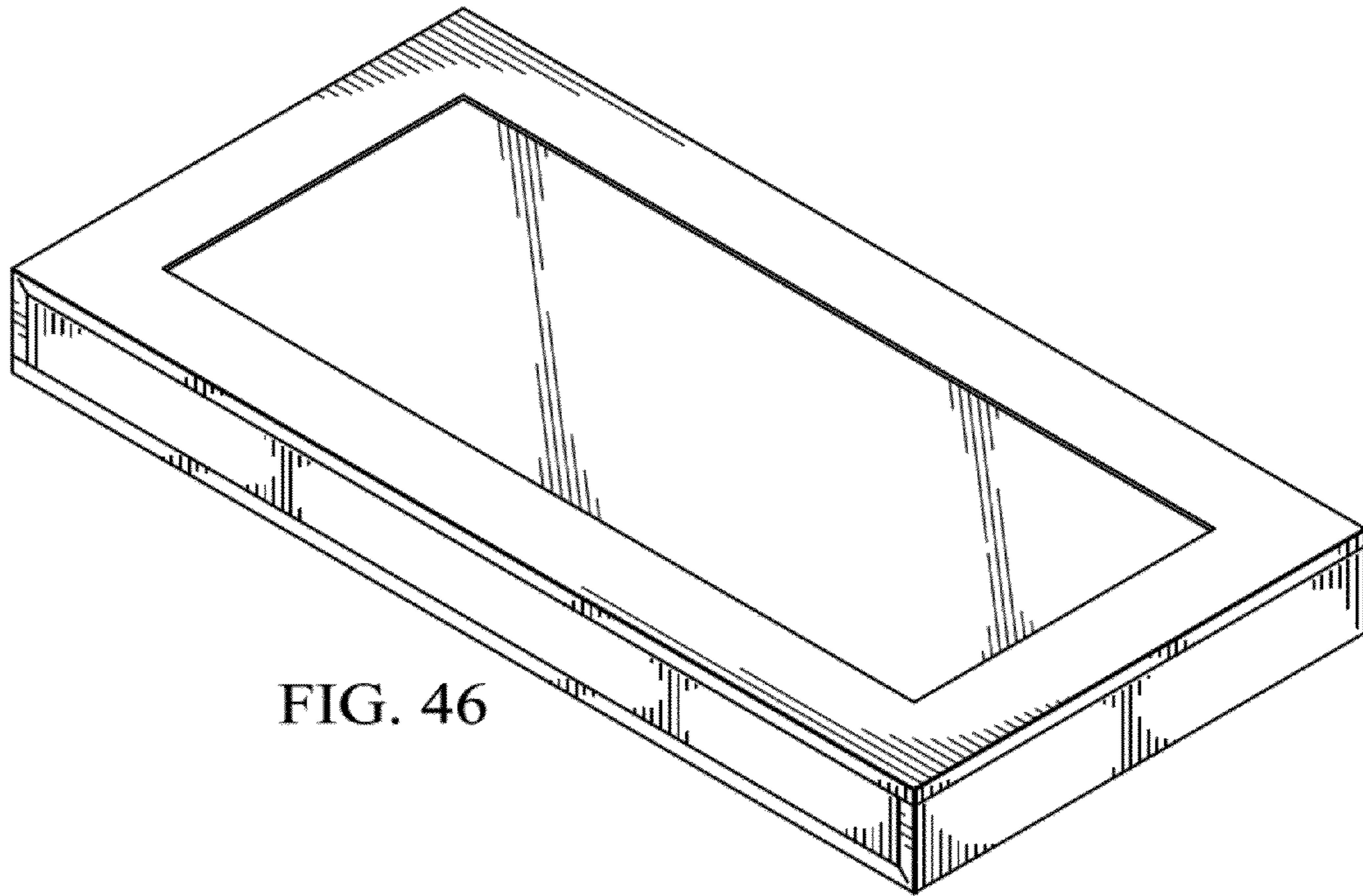


FIG. 46

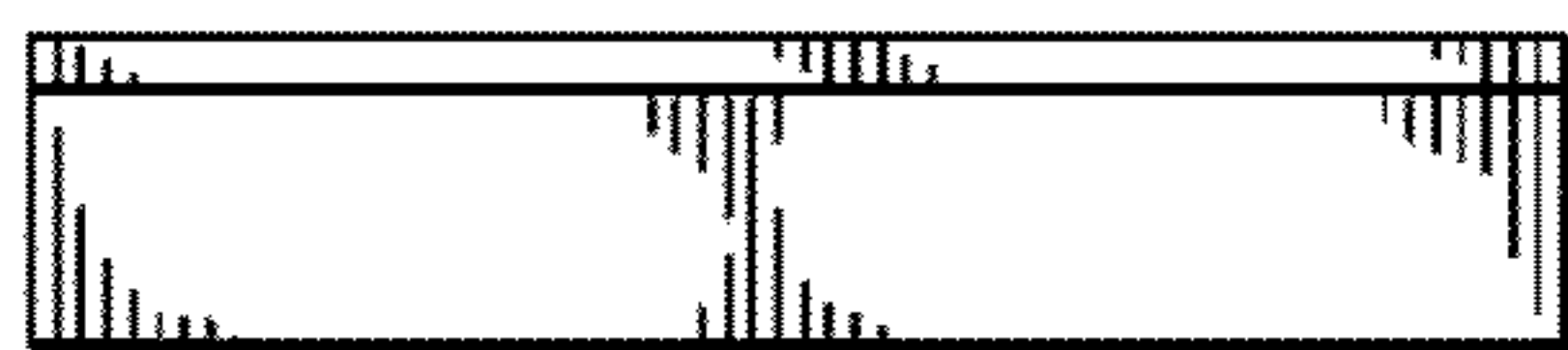


FIG. 47

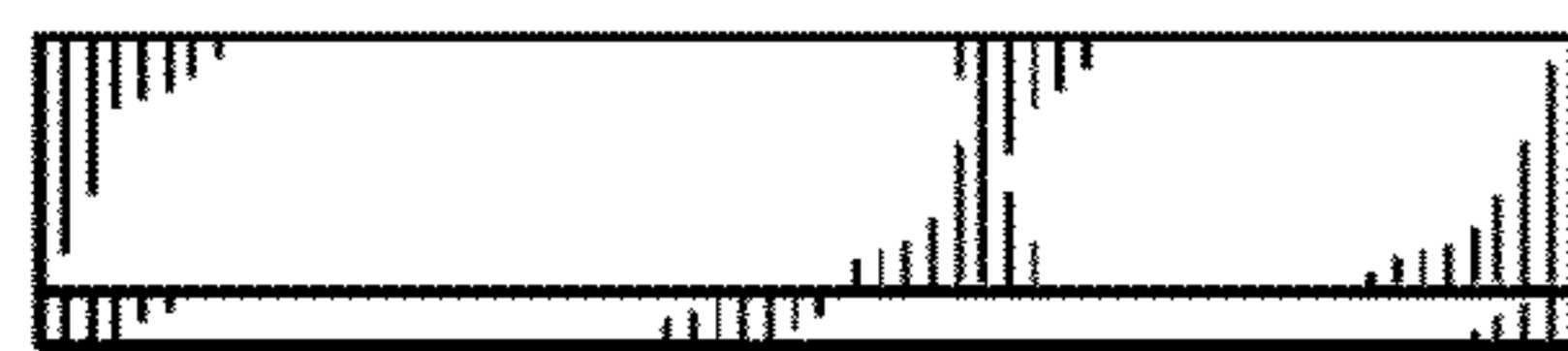


FIG. 48



FIG. 49



FIG. 50

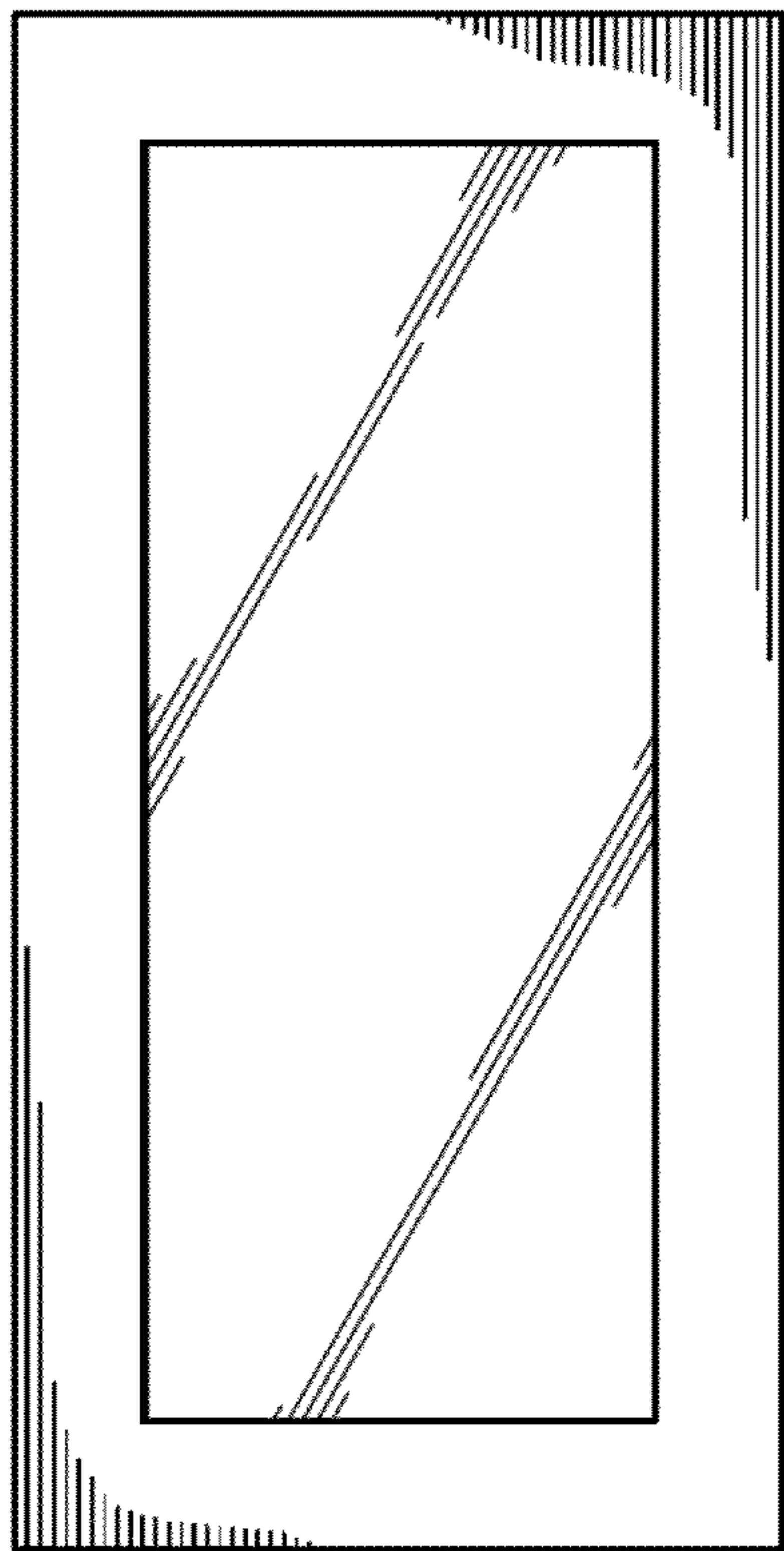


FIG. 51

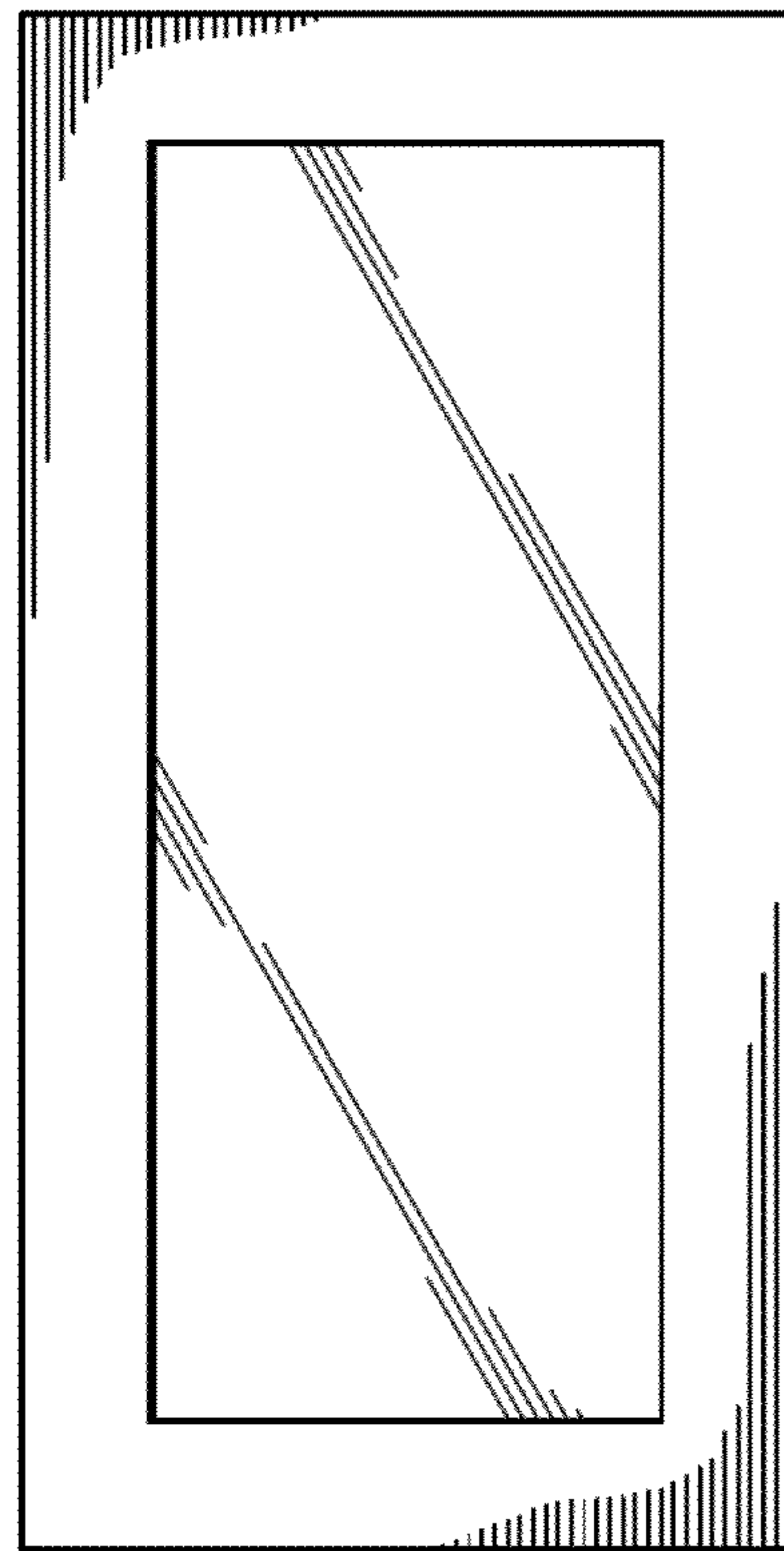


FIG. 52

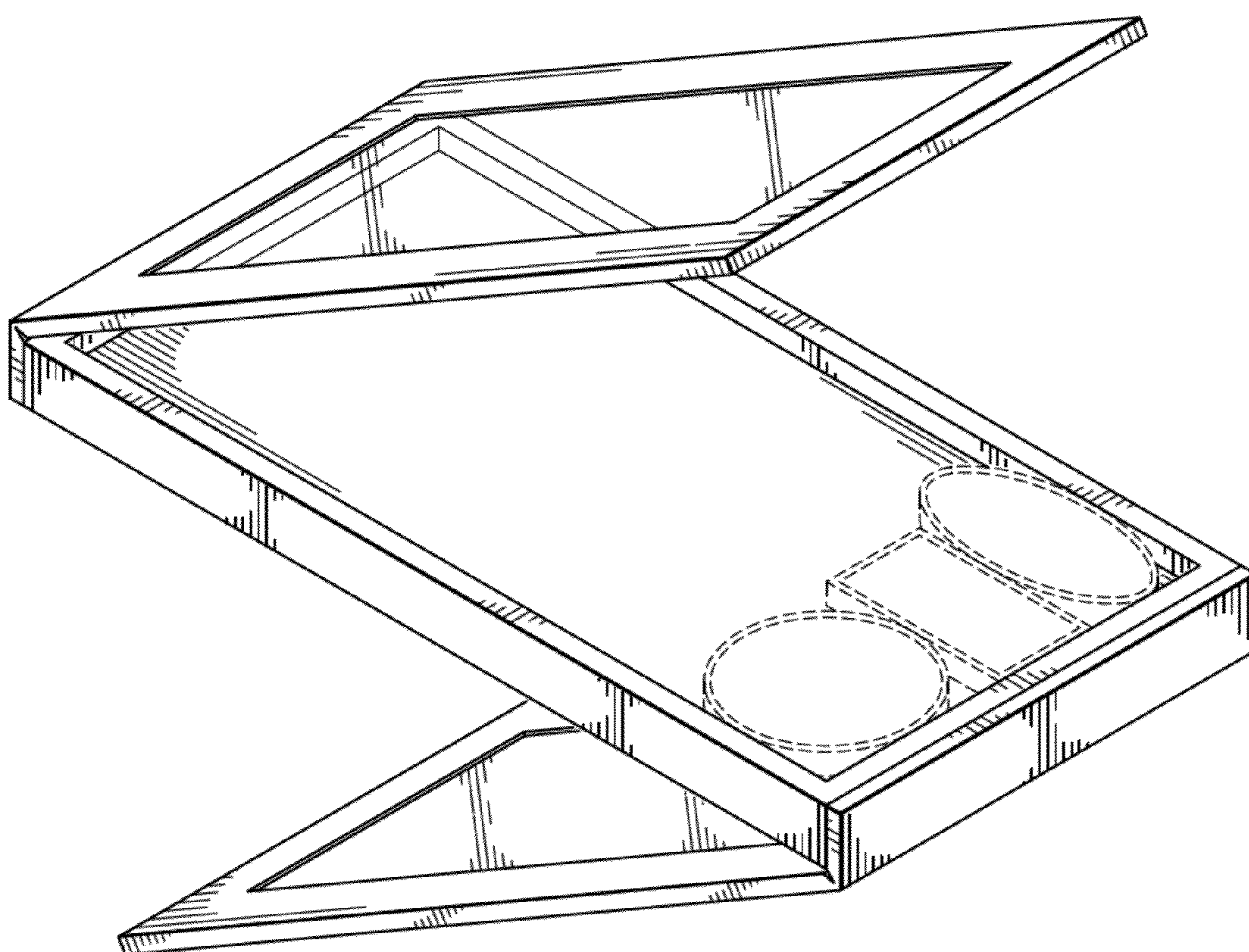


FIG. 53

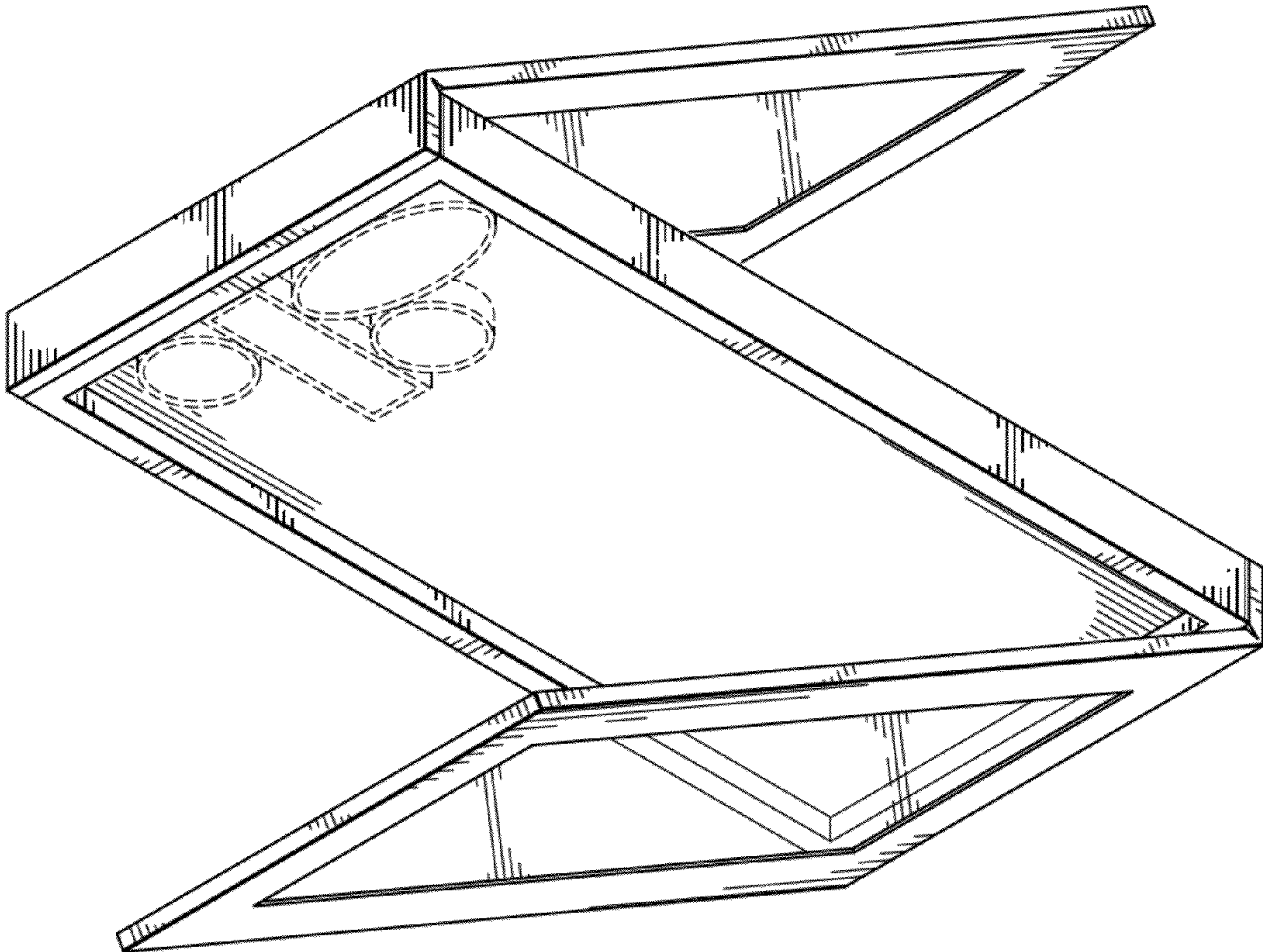


FIG. 54

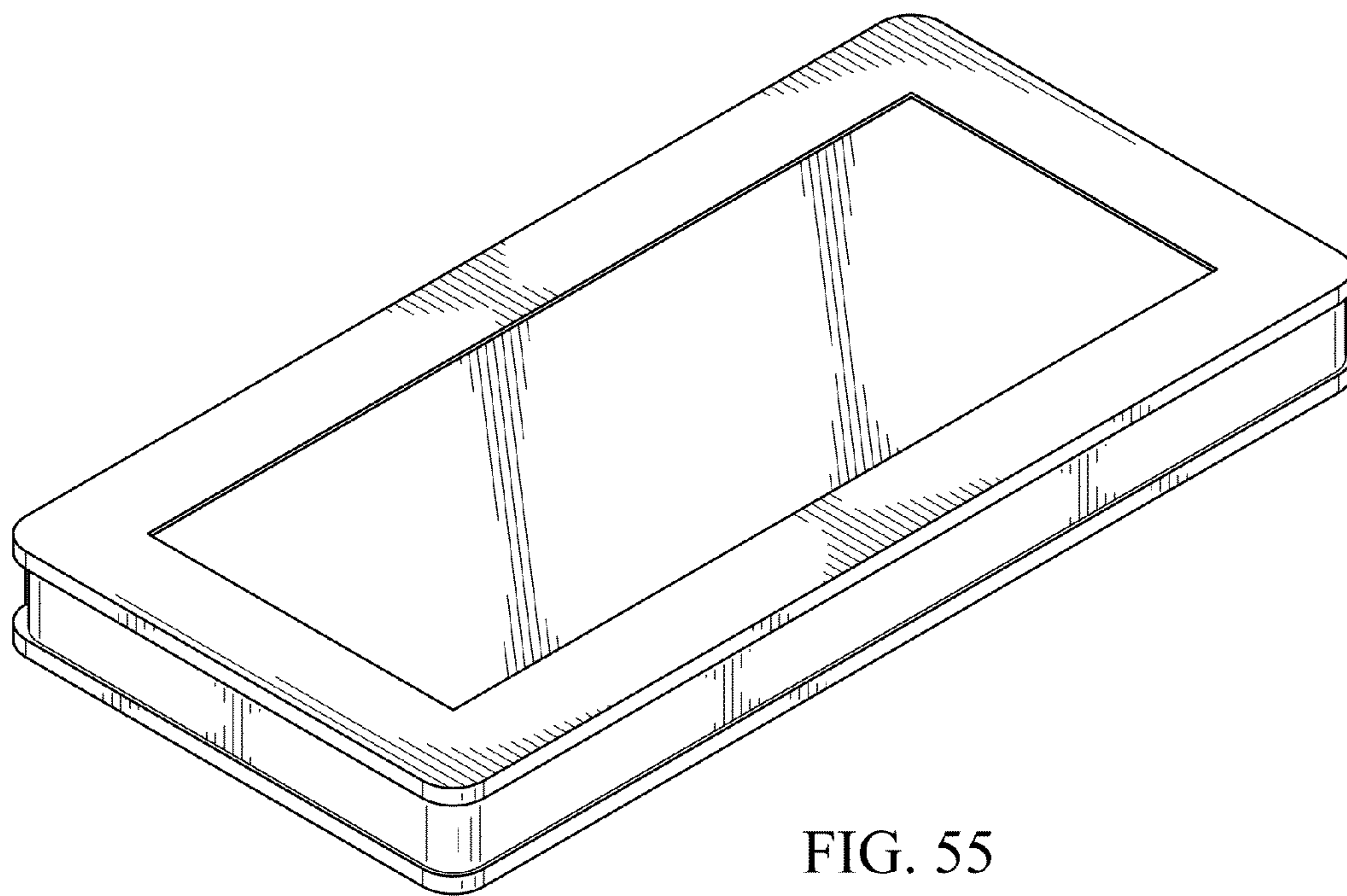


FIG. 55

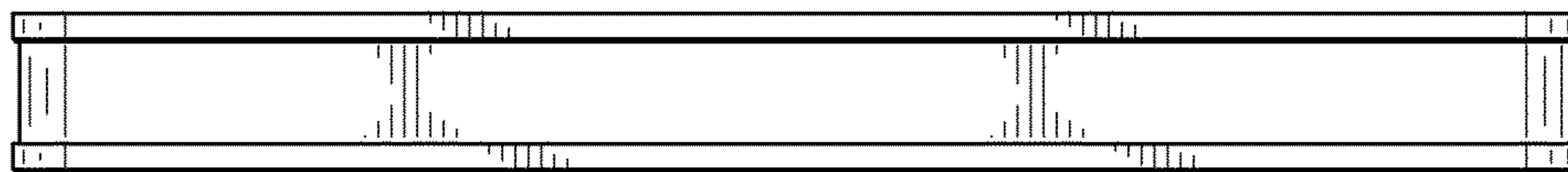


FIG. 56

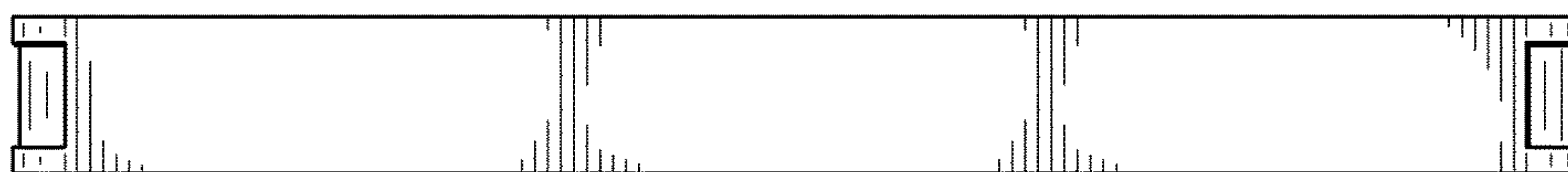


FIG. 57

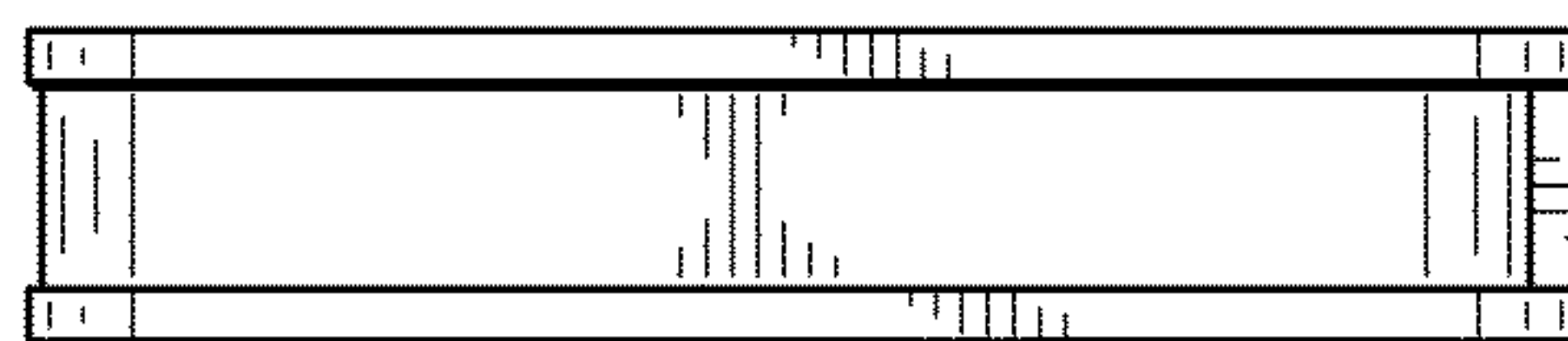


FIG. 58

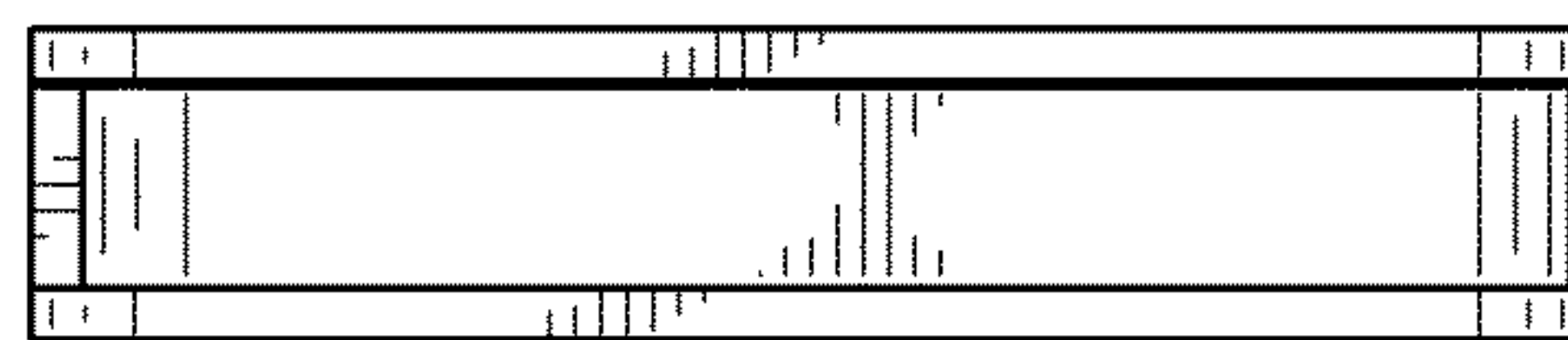


FIG. 59

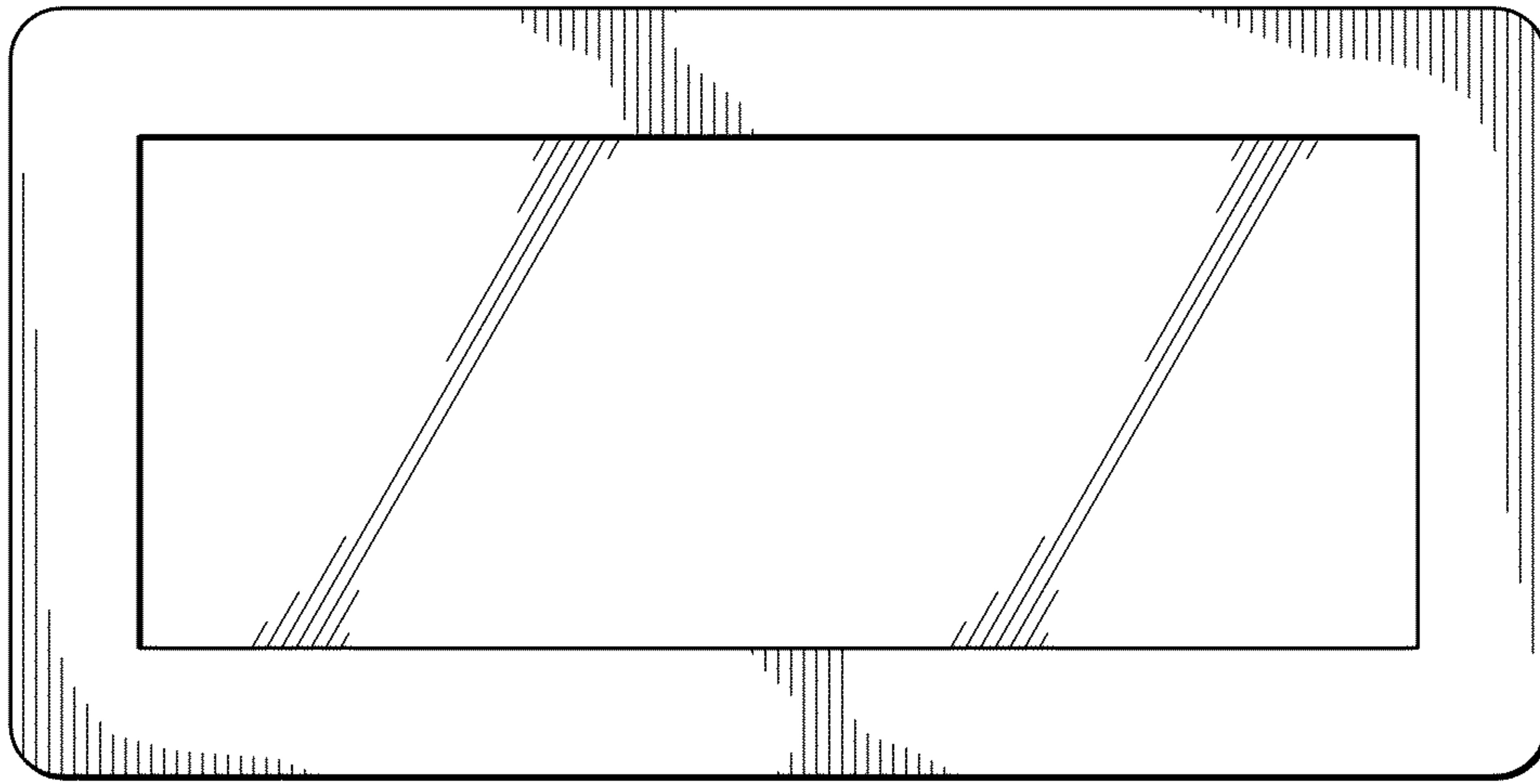


FIG. 60

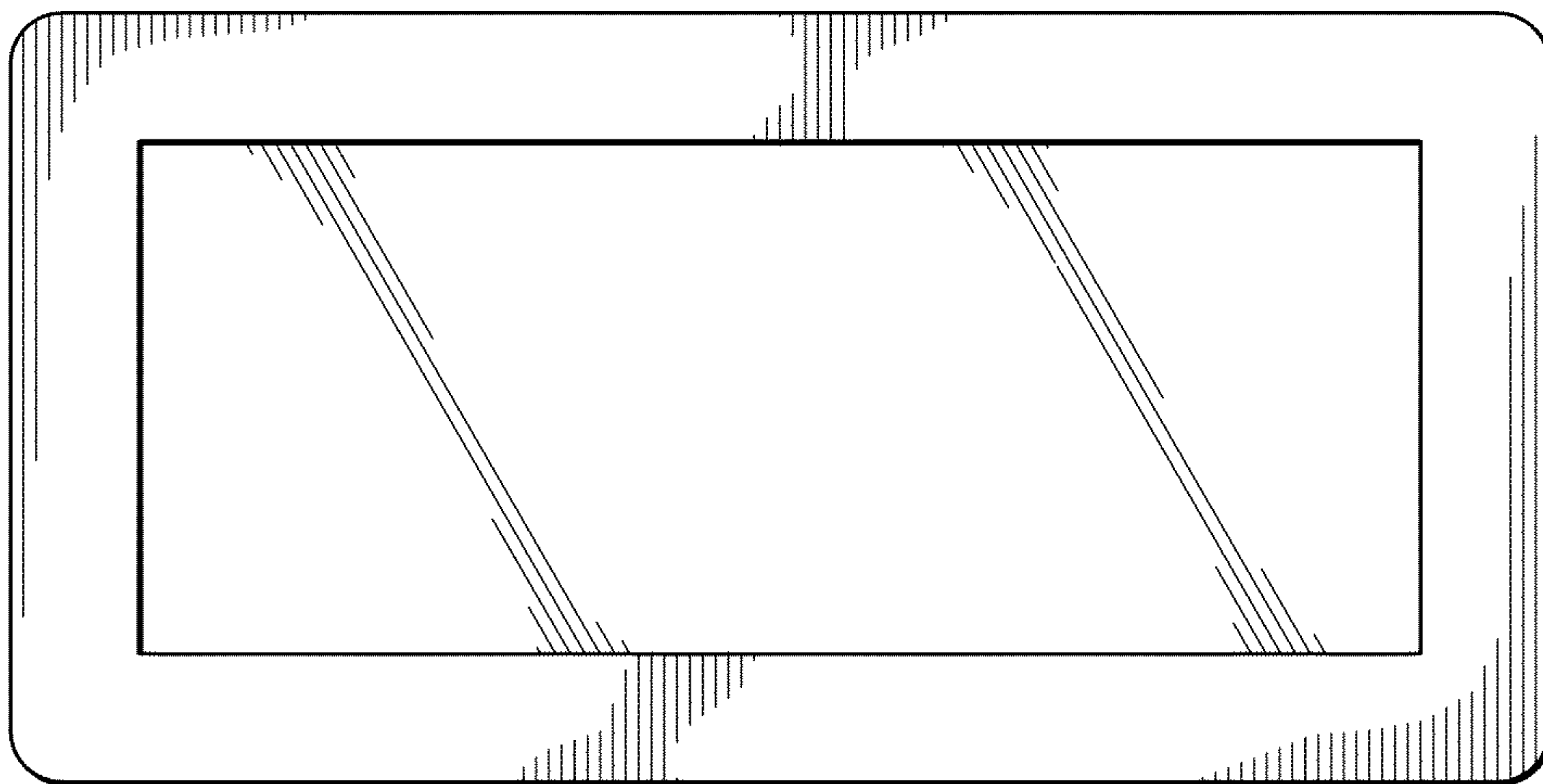


FIG. 61

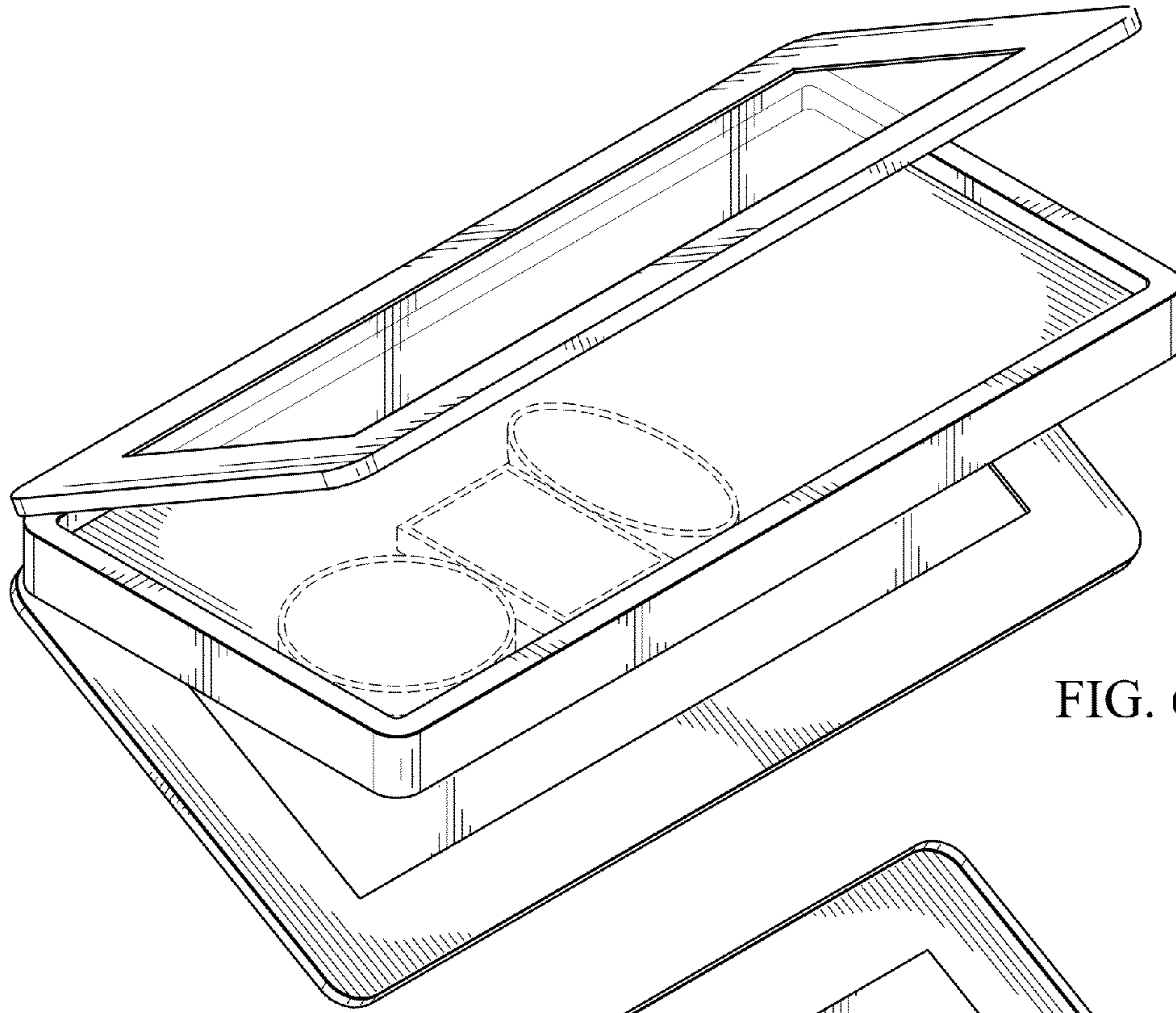


FIG. 62

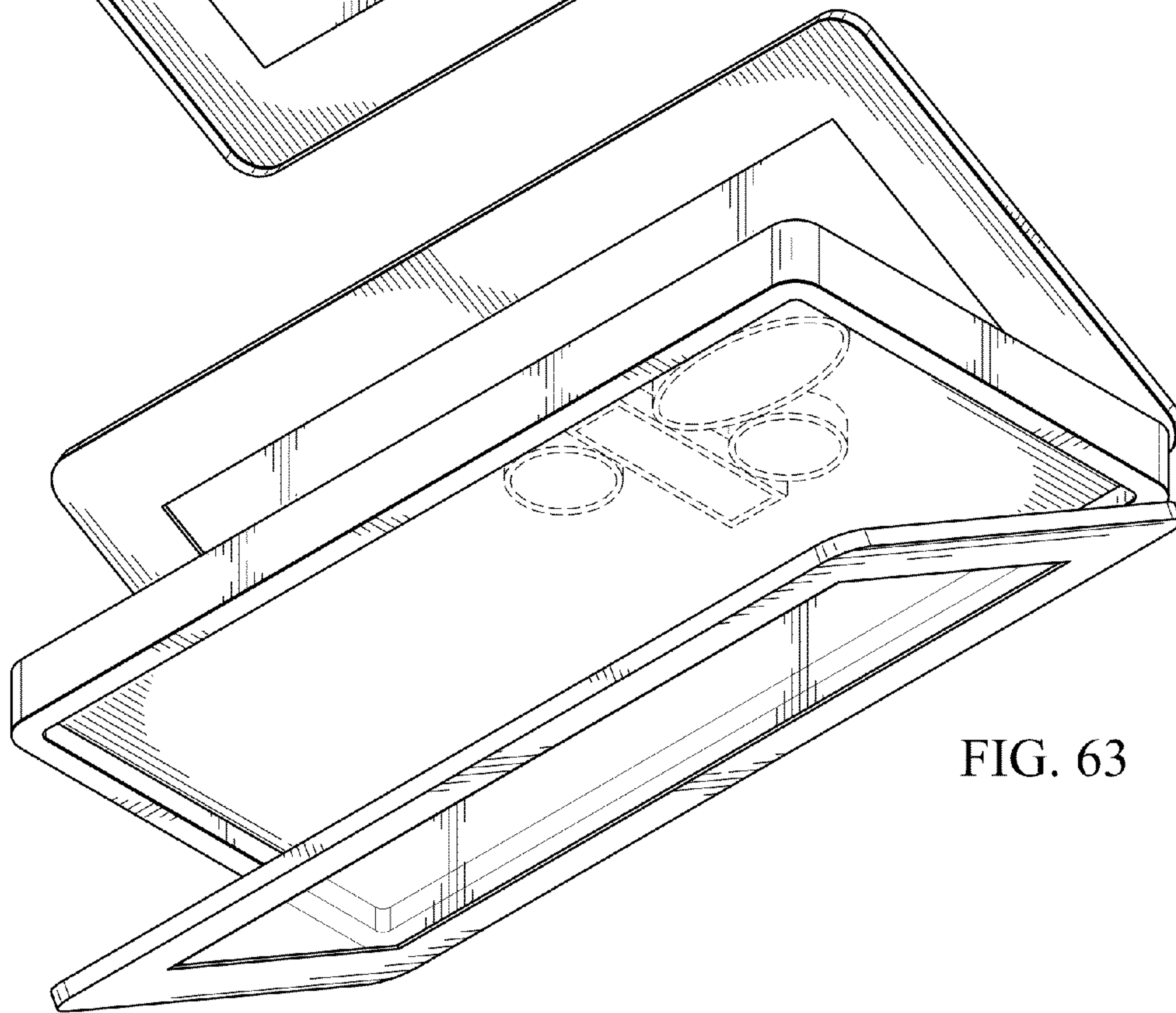


FIG. 63