



US00D723735S

(12) **United States Design Patent**
Liu

(10) **Patent No.:** **US D723,735 S**
(45) **Date of Patent:** **** Mar. 3, 2015**

- (54) **ELECTRONIC CIGARETTE CASE**
- (71) Applicant: **Qiuming Liu**, Shenzhen (CN)
- (72) Inventor: **Qiuming Liu**, Shenzhen (CN)
- (73) Assignee: **Kimree Hi-Tech Inc.**, Tortola (VG)
- (**) Term: **14 Years**
- (21) Appl. No.: **29/453,083**
- (22) Filed: **Apr. 24, 2013**

- (30) **Foreign Application Priority Data**
- Mar. 6, 2013 (CN) 2013 3 0055056
- (51) **LOC (10) Cl.** **27-06**
- (52) **U.S. Cl.**
- USPC **D27/189**
- (58) **Field of Classification Search**
- CPC B65D 85/1045; B65D 85/1036; B65D 5/6691; B65D 85/10; A24F 13/14; A24F 15/12
- USPC D13/107-110, 118-119, 184, 199; D14/217, 251, 253, 432, 434; 320/107-115; D27/172, 183, 184, D27/186-191, 193; 206/236, 242, 259, 206/261-270; D9/432, 745, 770
- See application file for complete search history.

- (56) **References Cited**
- U.S. PATENT DOCUMENTS
- D485,939 S * 1/2004 Draghetti et al. D27/189
- D603,840 S * 11/2009 Lee et al. D14/217
- D610,303 S * 2/2010 Valle D27/189
- D677,000 S * 2/2013 Liu D27/189
- D677,001 S * 2/2013 Liu D27/189
- D683,898 S * 6/2013 Liu D27/189
- D683,899 S * 6/2013 Liu D27/189
- D690,461 S * 9/2013 Chen D27/187
- 2014/0053858 A1 * 2/2014 Liu 131/329
- 2014/0216961 A1 * 8/2014 Liu 206/266

* cited by examiner

Primary Examiner — Barbara Fox
Assistant Examiner — Chelsea Sealey
(74) *Attorney, Agent, or Firm* — Cheng-Ju Chiang

(57) **CLAIM**

The ornamental design for a electronic cigarette case, as shown and described.

DESCRIPTION

FIG. 1 is a front, top and left side perspective view of the first embodiment for a electronic cigarette case showing my new design;

FIG. 2 is a front, top and right side perspective view of FIG. 1;

FIG. 3 is a front elevational view of FIG. 1;

FIG. 4 is a rear elevational view of FIG. 1;

FIG. 5 is a left side elevational view of FIG. 1;

FIG. 6 is a right side elevational view of FIG. 1;

FIG. 7 is a top plan view of FIG. 1;

FIG. 8 is a bottom plan view of FIG. 1;

FIG. 9 is a front, top and left side perspective view of FIG. 1 in an open position;

FIG. 10 is a front, top and left side perspective view of the second embodiment for a electronic cigarette case showing my new design;

FIG. 11 is a front, top and right side perspective view of FIG. 10;

FIG. 12 is a front elevational view of FIG. 10;

FIG. 13 is a rear elevational view of FIG. 10;

FIG. 14 is a left side elevational view of FIG. 10;

FIG. 15 is a right side elevational view of FIG. 10;

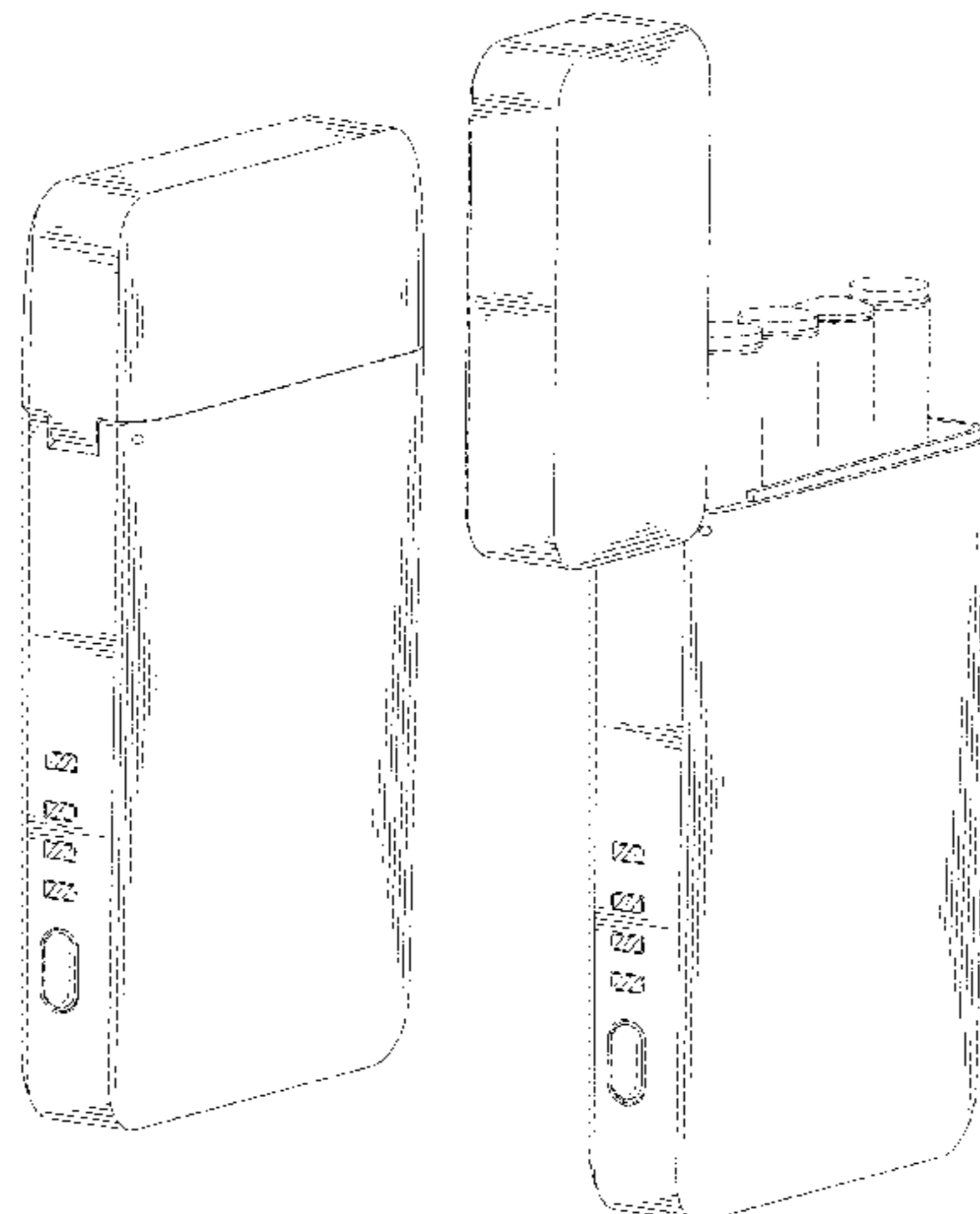
FIG. 16 is a top plan view of FIG. 10;

FIG. 17 is a bottom plan view of FIG. 10; and,

FIG. 18 is a front, top and right side perspective view of FIG. 10 in an open position.

The broken lines indicate portions of the electronic cigarette case and environmental structure that form no part of the claimed design.

1 Claim, 18 Drawing Sheets



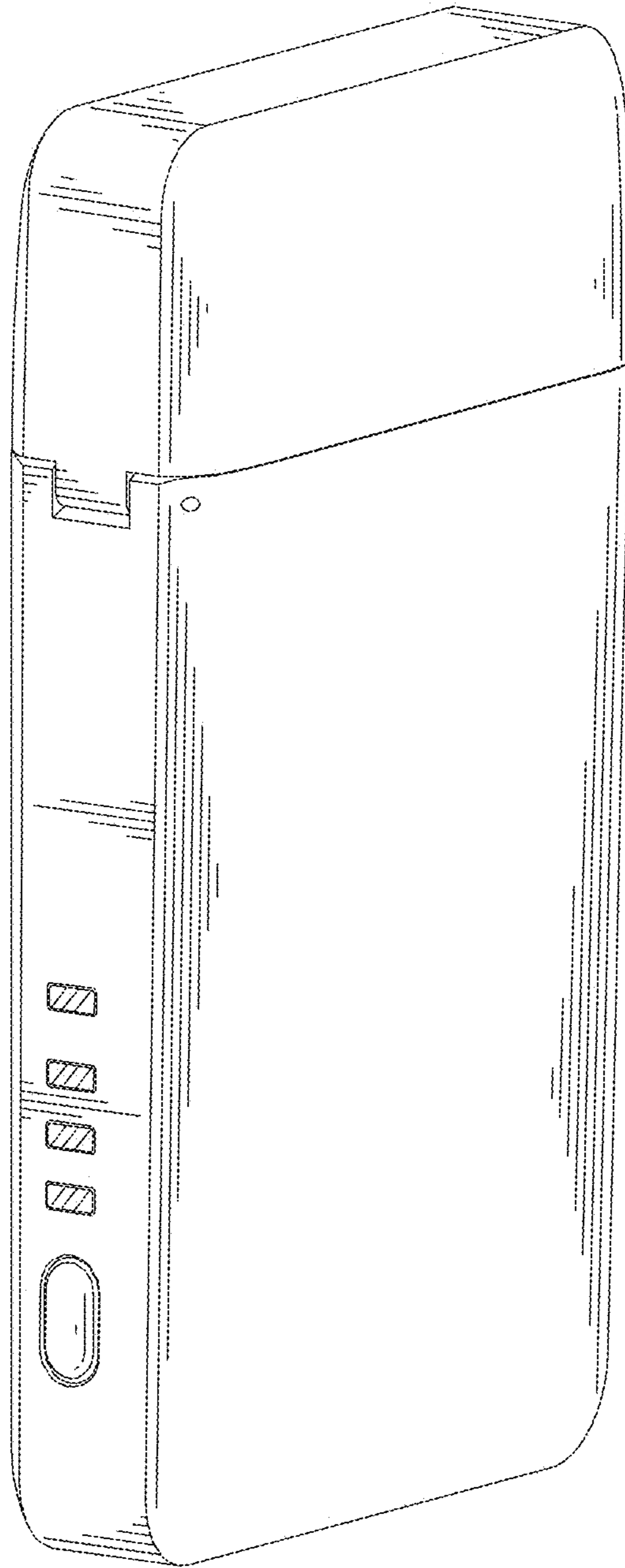


FIG. 1

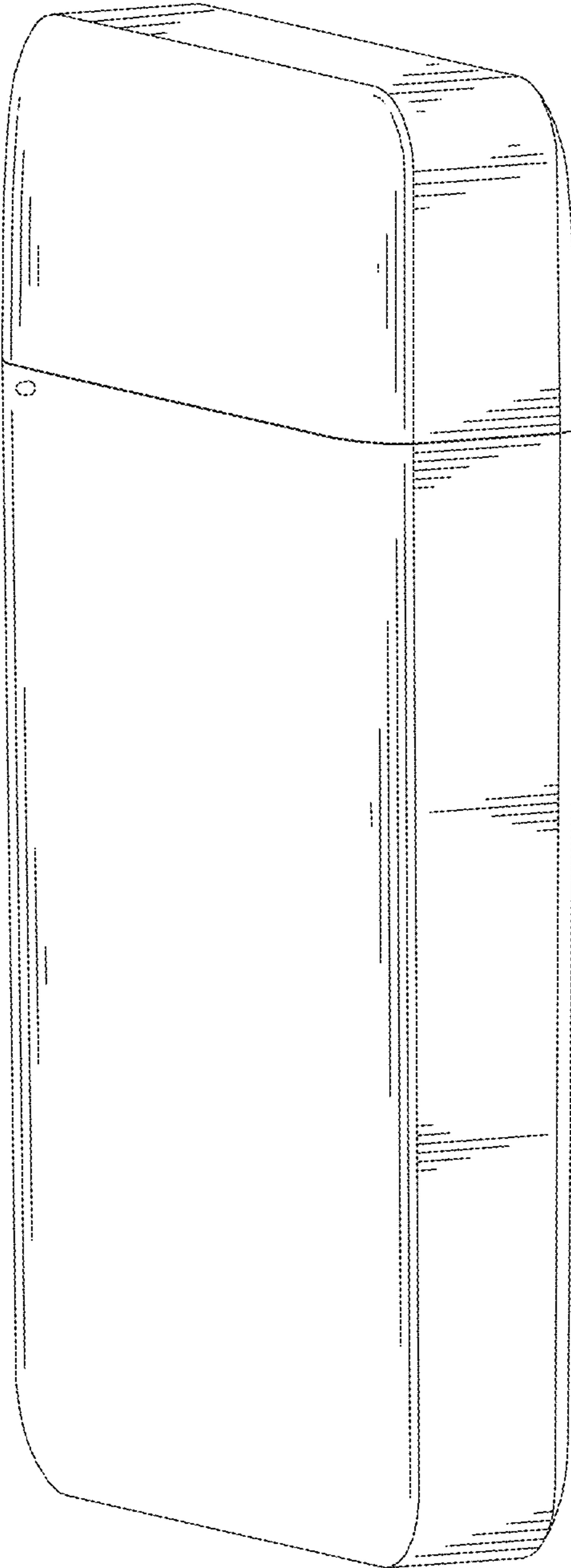


FIG. 2

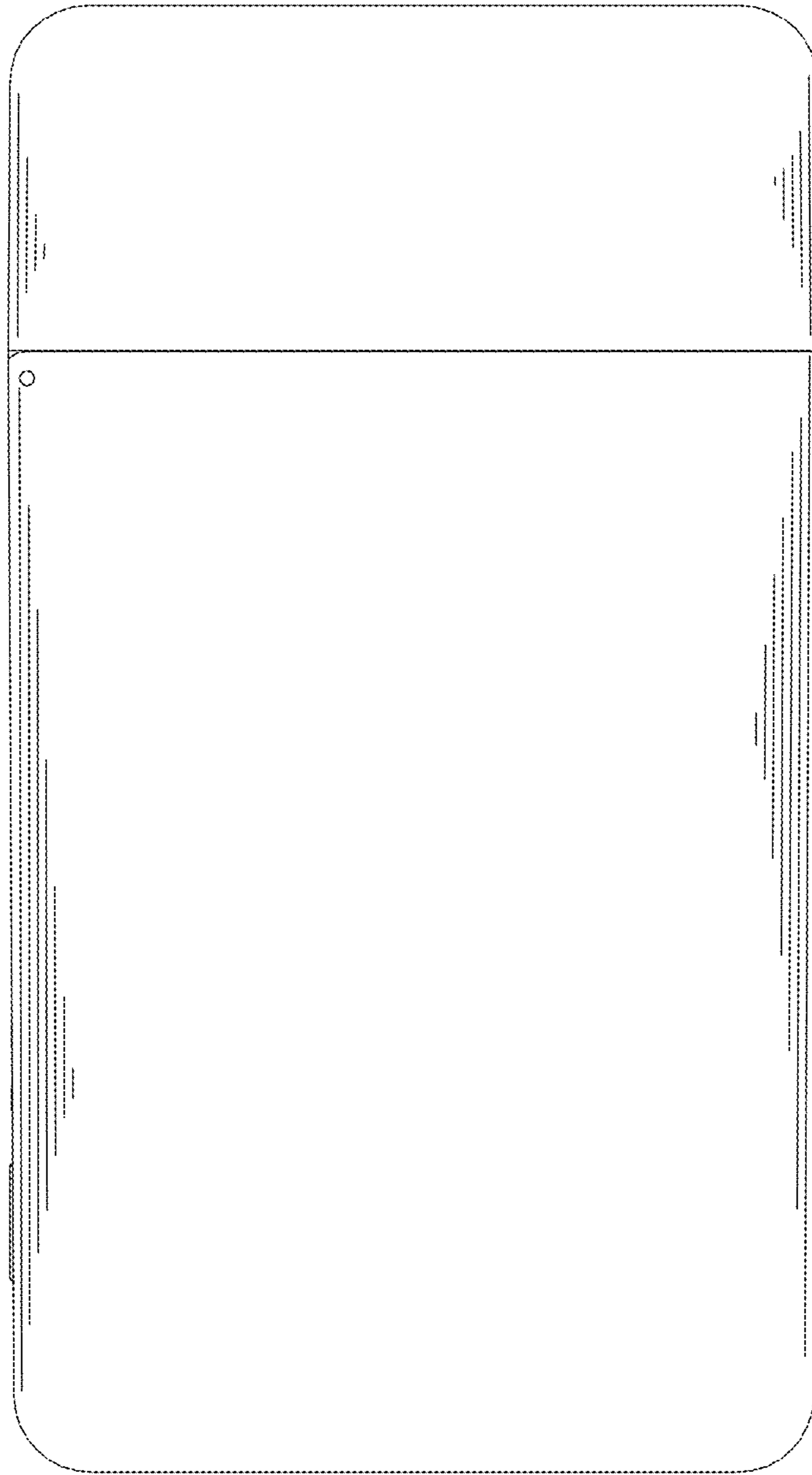


FIG. 3

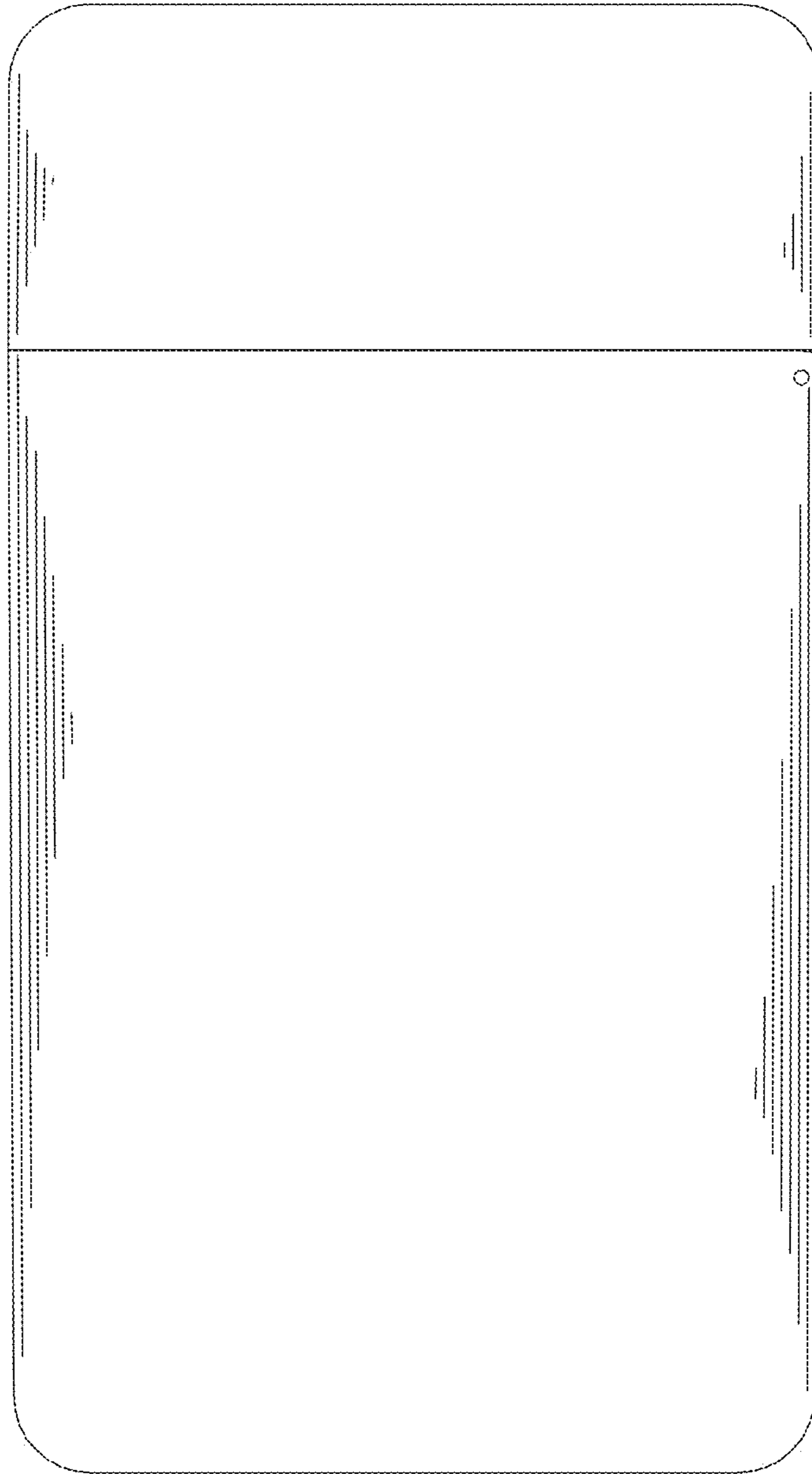


FIG. 4

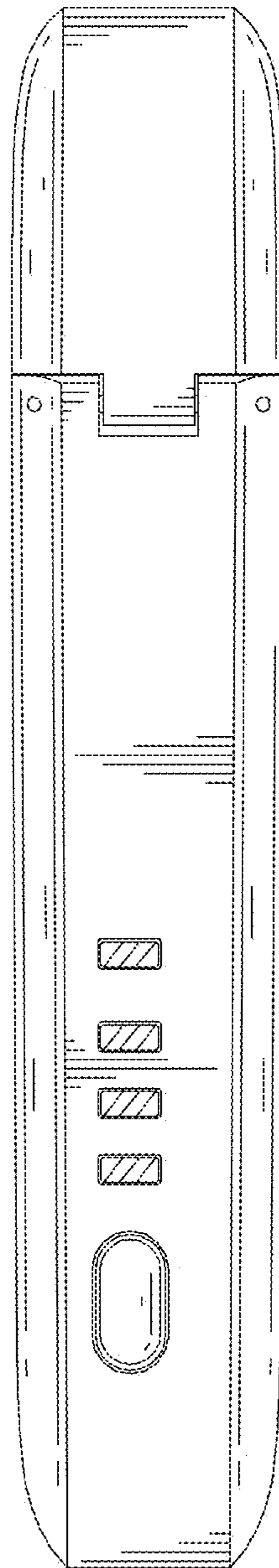


FIG. 5

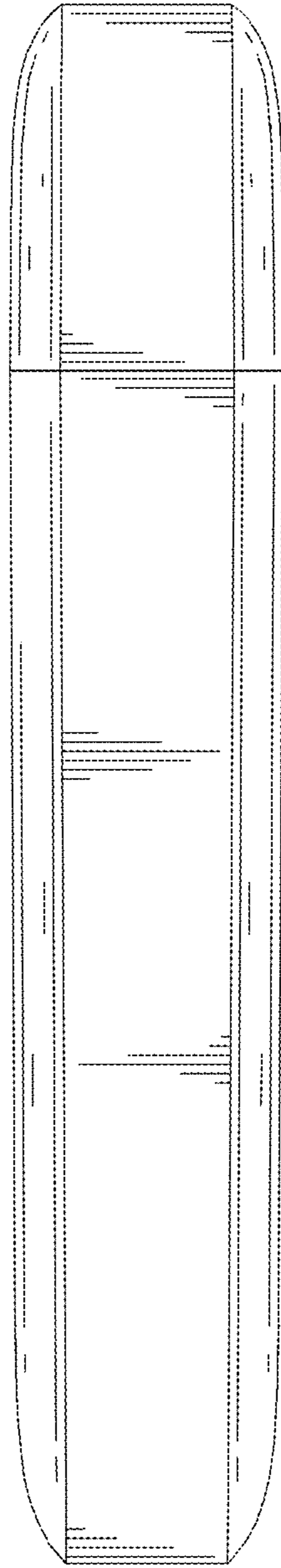


FIG. 6

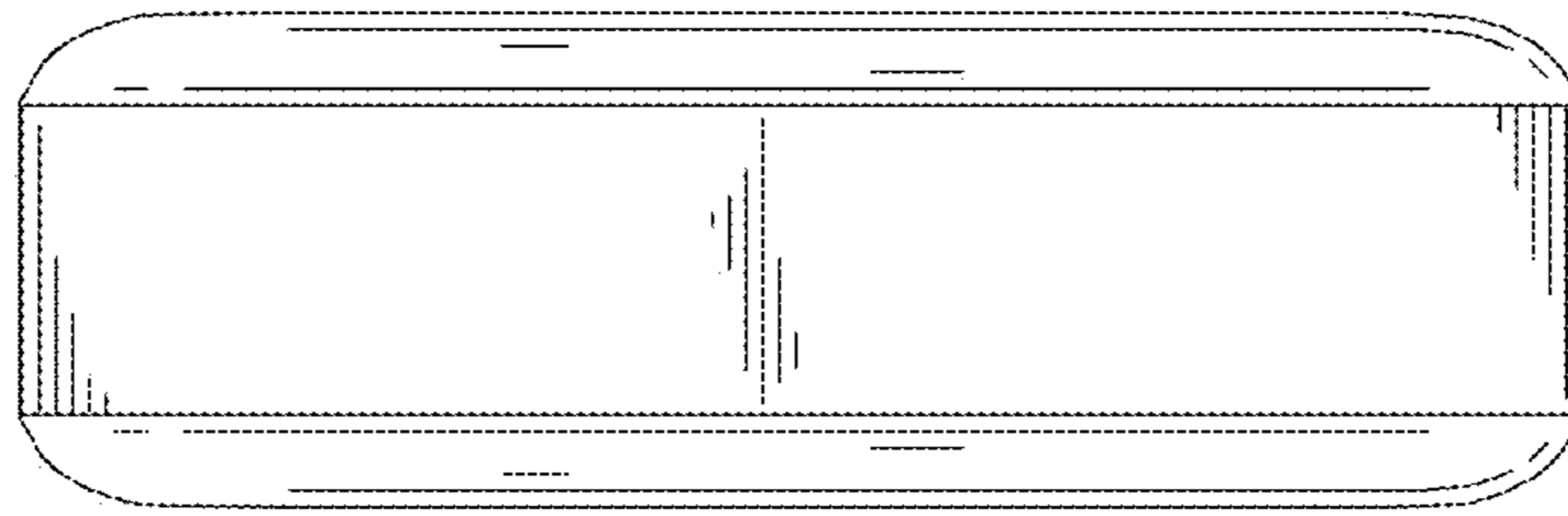


FIG. 7

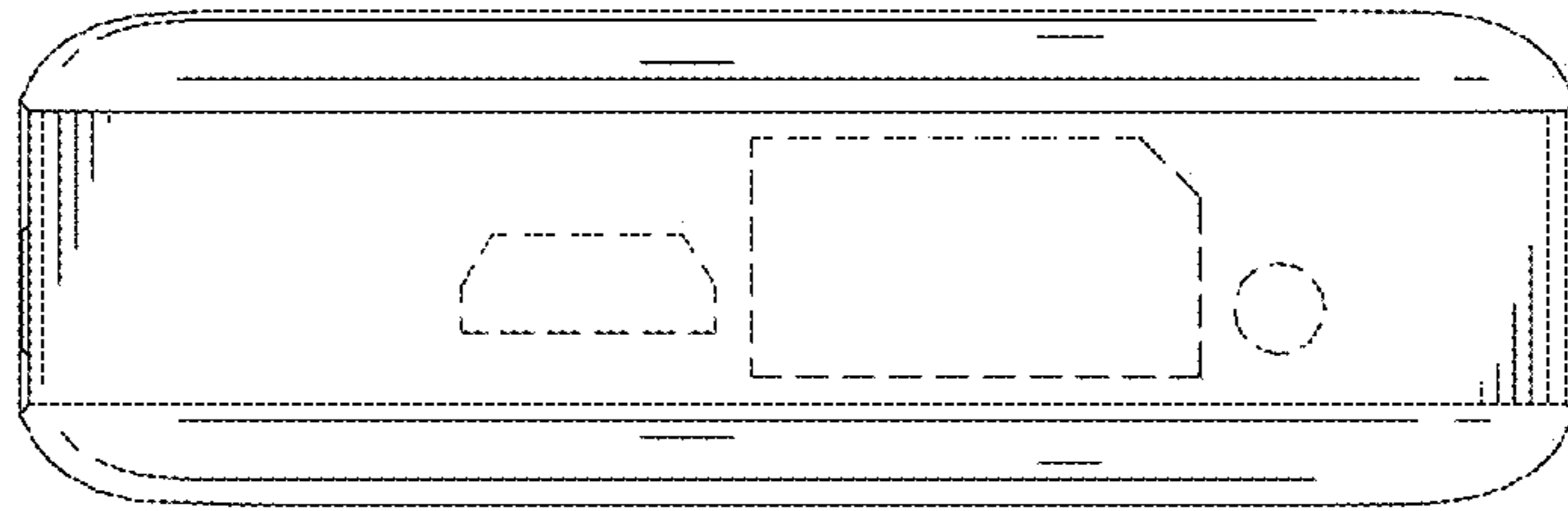


FIG. 8

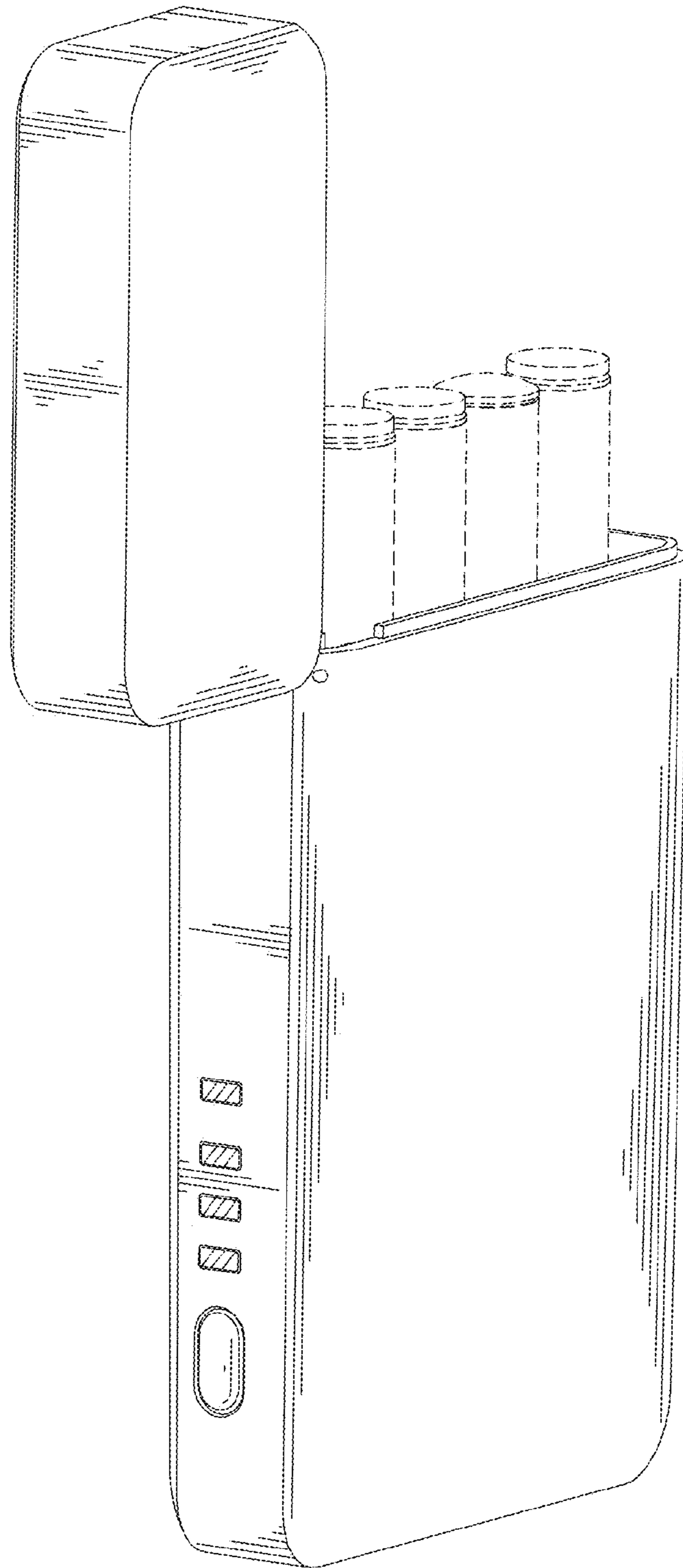


FIG. 9

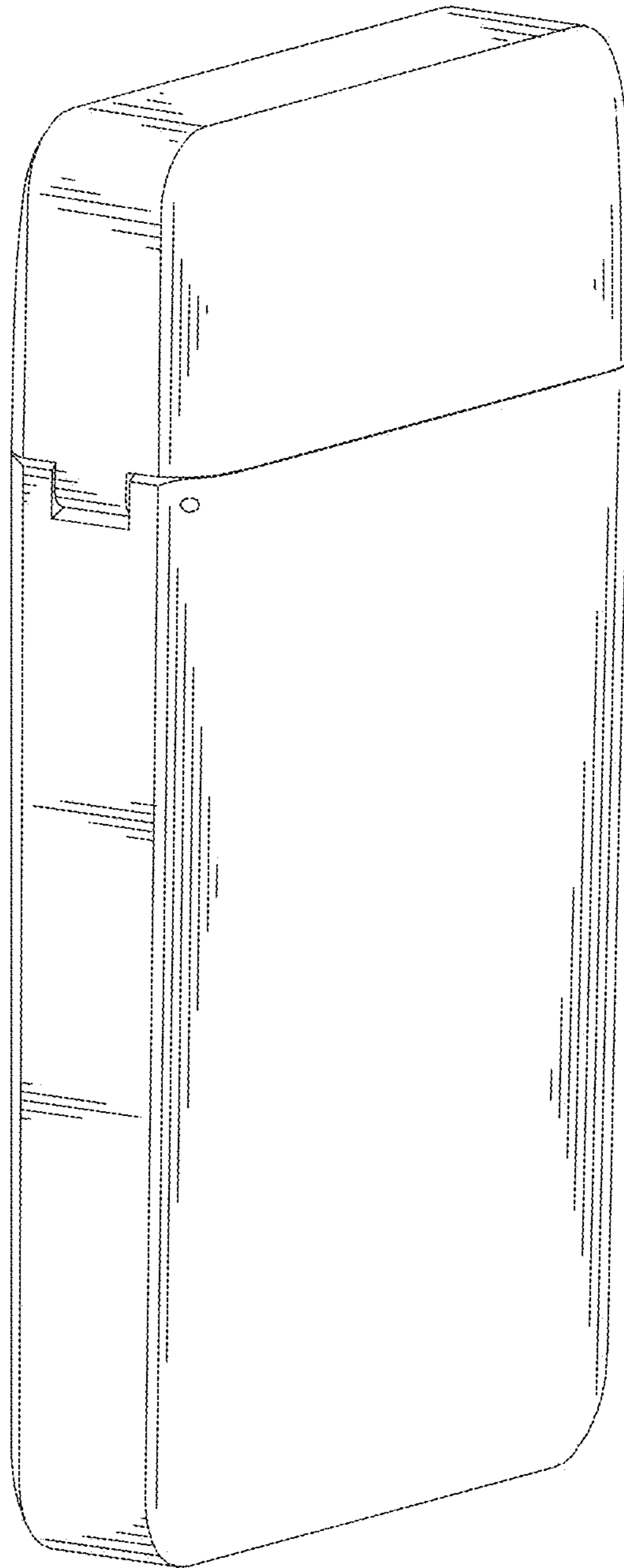


FIG. 10

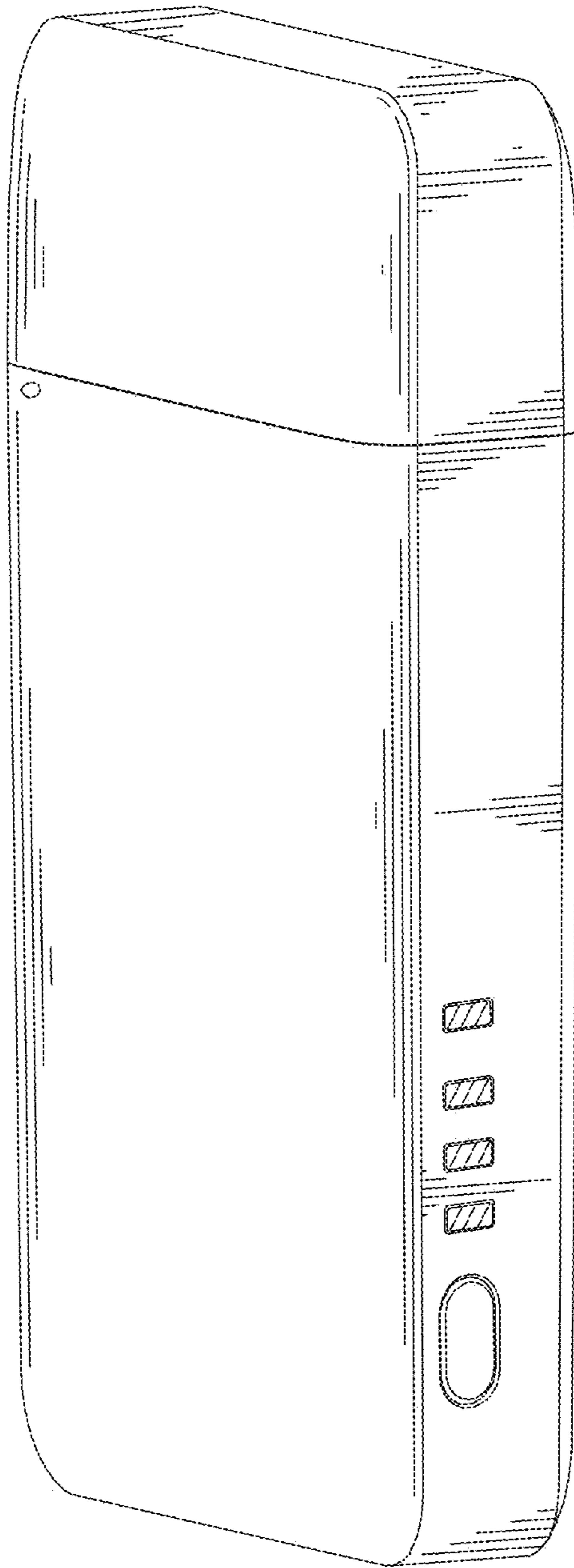


FIG. 11

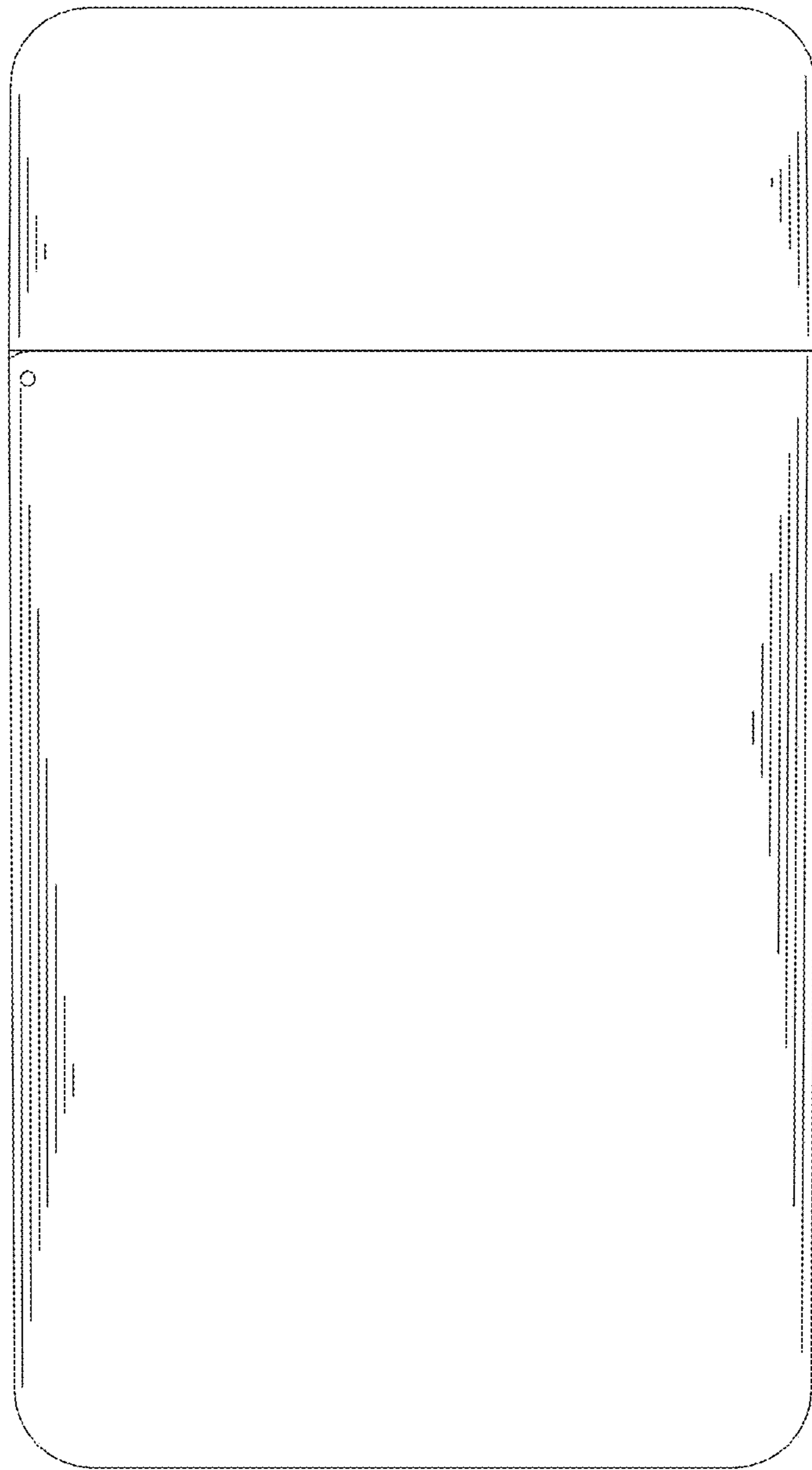


FIG. 12

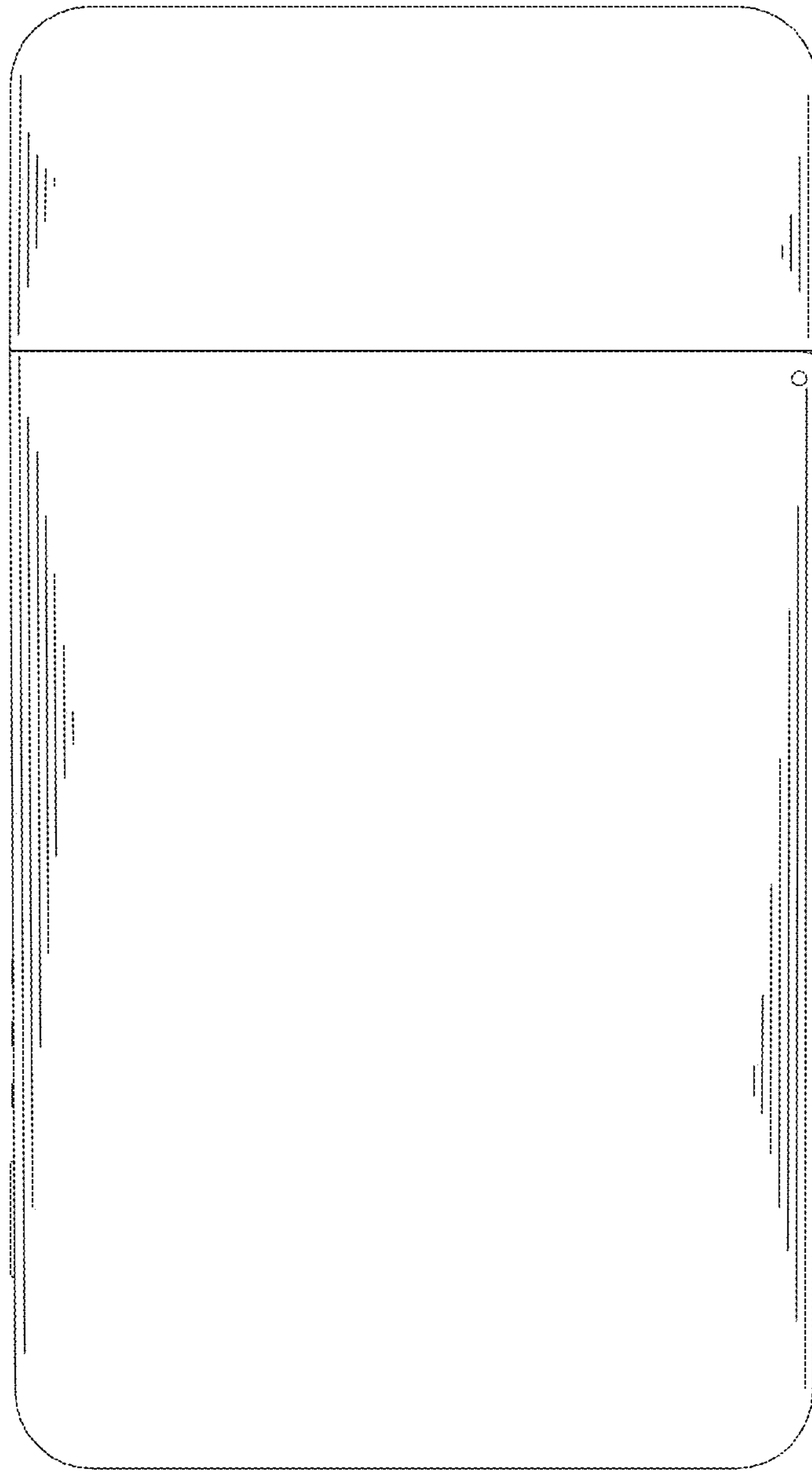


FIG. 13

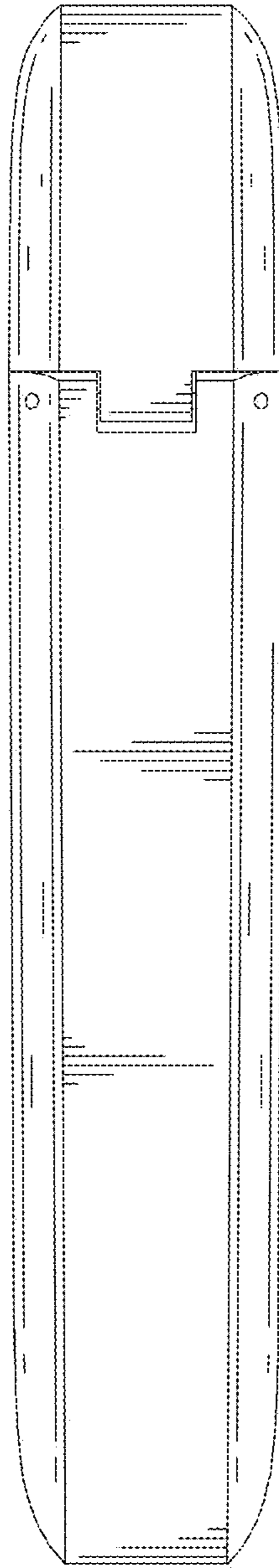


FIG. 14

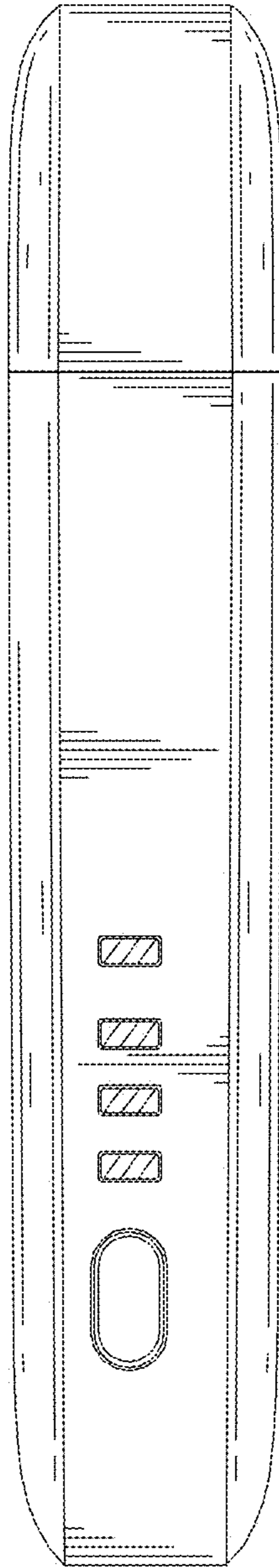


FIG. 15

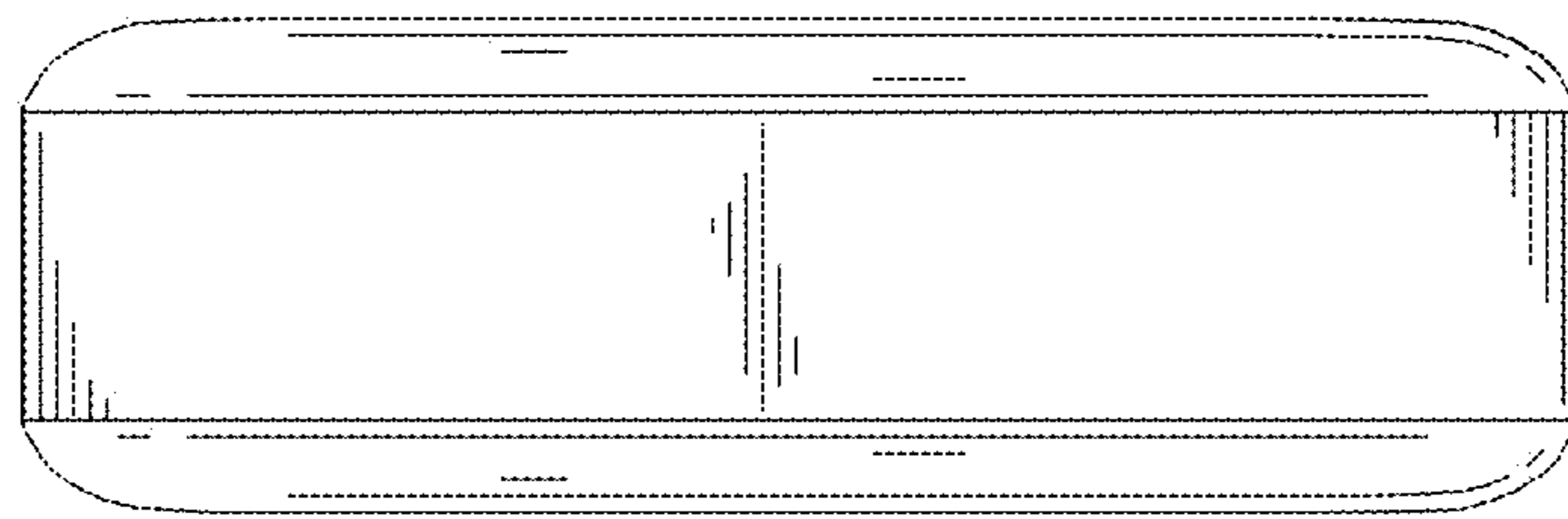


FIG. 16

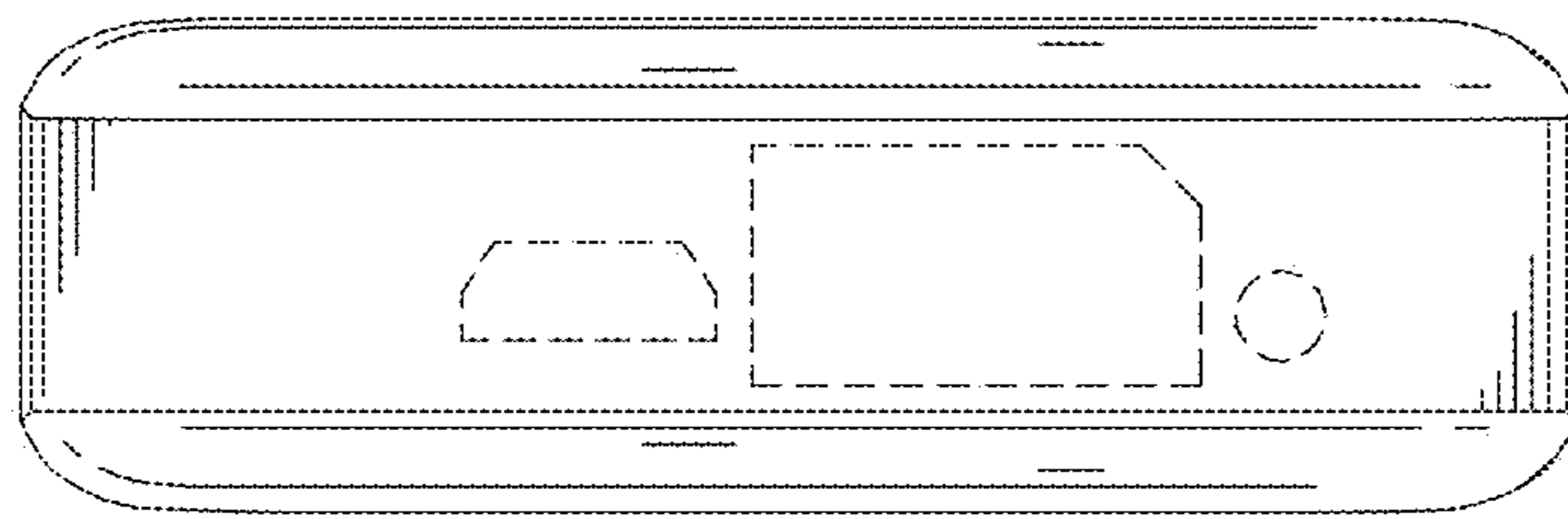


FIG. 17

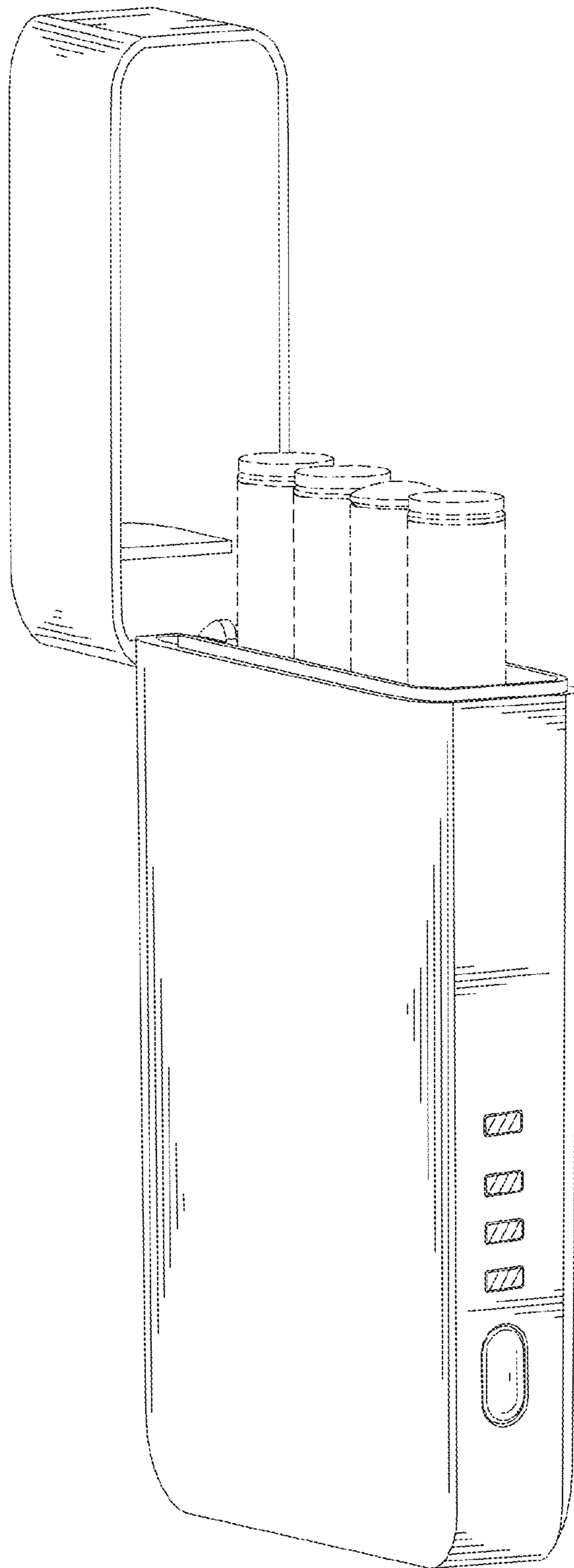


FIG. 18