



US00D723734S

(12) **United States Design Patent**
Liu

(10) **Patent No.:** **US D723,734 S**
(45) **Date of Patent:** **** Mar. 3, 2015**

(54) **ELECTRONIC CIGARETTE CASE**

(71) Applicant: **Qiuming Liu**, Shenzhen (CN)

(72) Inventor: **Qiuming Liu**, Shenzhen (CN)

(73) Assignee: **Kimree Hi-Tech Inc.**, Tortola (VG)

(**) Term: **14 Years**

(21) Appl. No.: **29/452,867**

(22) Filed: **Apr. 22, 2013**

(30) **Foreign Application Priority Data**

Feb. 1, 2013 (CN) 2013 3 0035314

(51) **LOC (10) Cl.** **27-06**

(52) **U.S. Cl.**
USPC **D27/189**

(58) **Field of Classification Search**

CPC B65D 85/1045; B65D 85/1036; B65D
5/6691; B65D 85/10; A24F 13/14; A24F
15/12

USPC D13/107-110, 118-119, 184, 199;
D14/217, 251, 253, 432, 434;
320/107-115; D27/172, 183, 184,
D27/186-191, 193; 206/236, 242, 259,
206/261-270; D9/432, 745, 770

See application file for complete search history.

(56) **References Cited**

U.S. PATENT DOCUMENTS

D485,640 S * 1/2004 Draghetti et al. D27/189
D488,585 S * 4/2004 Lin D27/157

(Continued)

Primary Examiner — Barbara Fox

Assistant Examiner — Chelsea Sealey

(74) *Attorney, Agent, or Firm* — Cheng-Ju Chiang

(57) **CLAIM**

The ornamental design for a “electronic cigarette case,” as shown and described.

DESCRIPTION

FIG. 1 is a front, top and right side perspective view of the first embodiment for a electronic cigarette case showing my new design;

FIG. 2 is a front, bottom and left side perspective view of FIG. 1;

FIG. 3 is a front elevational view of FIG. 1;

FIG. 4 is a rear elevational view of FIG. 1;

FIG. 5 is a left side elevational view of FIG. 1;

FIG. 6 is a right side elevational view of FIG. 1;

FIG. 7 is a top plan view of FIG. 1;

FIG. 8 is a bottom plan view of FIG. 1;

FIG. 9 is a front, top and right side perspective view of FIG. 1 in an open position;

FIG. 10 is a front, bottom and left side perspective view of FIG. 1 in a state of the USB cable extending;

FIG. 11 is a front, top and right side perspective view of the second embodiment for a electronic cigarette case showing my new design;

FIG. 12 is a front, bottom and left side perspective view of FIG. 11;

FIG. 13 is a front elevational view of FIG. 11;

FIG. 14 is a rear elevational view of FIG. 11;

FIG. 15 is a left side elevational view of FIG. 11;

FIG. 16 is a right side elevational view of FIG. 11;

FIG. 17 is a top plan view of FIG. 11;

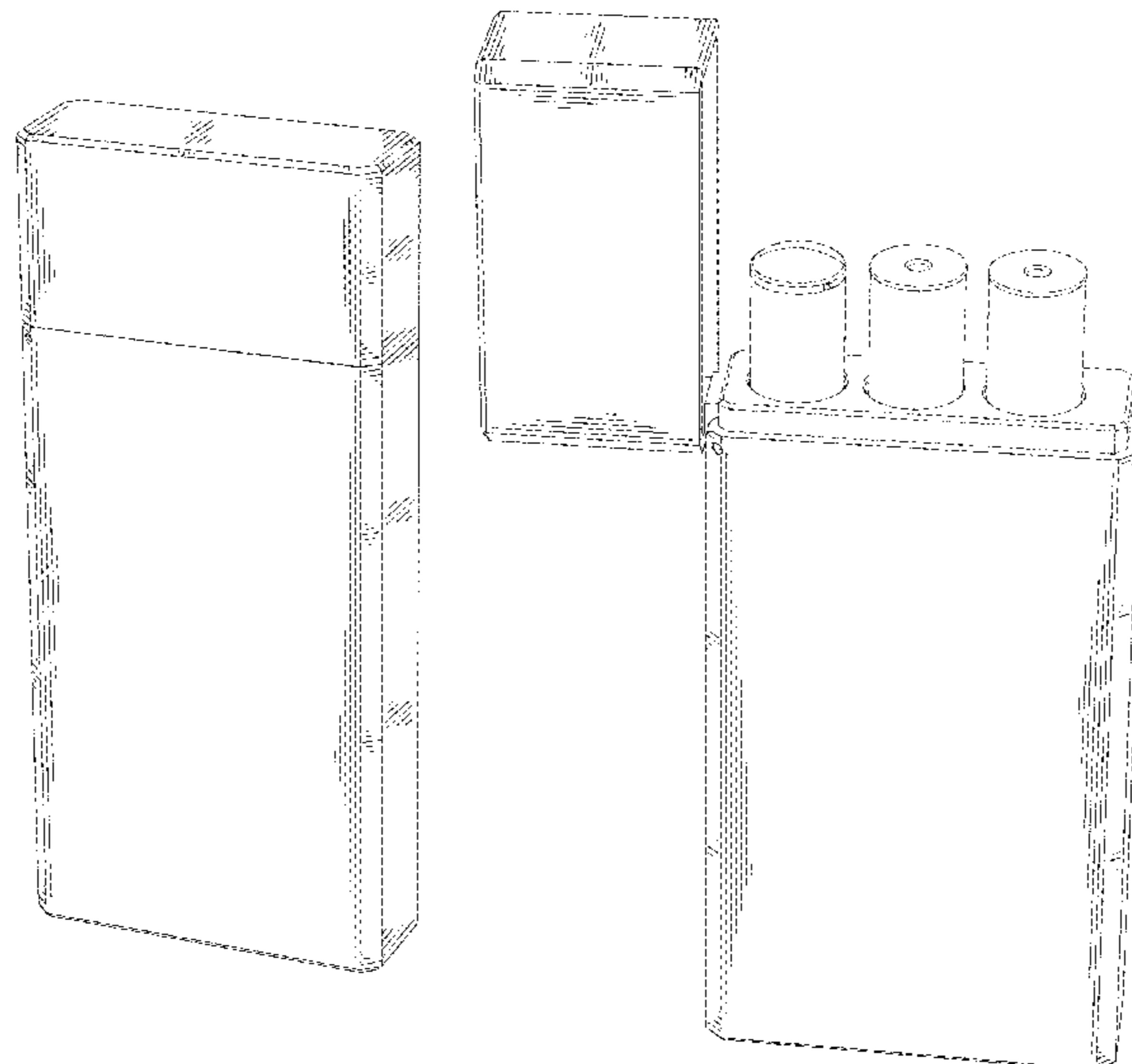
FIG. 18 is a bottom plan view of FIG. 11; and,

FIG. 19 is a front, top and right side perspective view of FIG. 11 in an open position; and,

FIG. 20 is a front, bottom and left side perspective view of FIG. 11 in a state of the USB cable extending.

The broken lines shown in the drawings represent portions of the electronic cigarette case and environmental structure that form no part of the claimed design.

1 Claim, 20 Drawing Sheets



(56)

References Cited

U.S. PATENT DOCUMENTS

D498,020 S *	11/2004	Wong	D27/157	D677,000 S *	2/2013	Liu	D27/189
D506,026 S *	6/2005	Chen	D27/157	D677,001 S *	2/2013	Liu	D27/189
D548,396 S *	8/2007	Chen	D27/157	D683,898 S *	6/2013	Liu	D27/189
D610,303 S *	2/2010	Valle	D27/189	D683,899 S *	6/2013	Liu	D27/189
					D690,461 S *	9/2013	Chen	D27/187
					2014/0053858 A1 *	2/2014	Liu	131/329
					2014/0216961 A1 *	8/2014	Liu	206/266

* cited by examiner

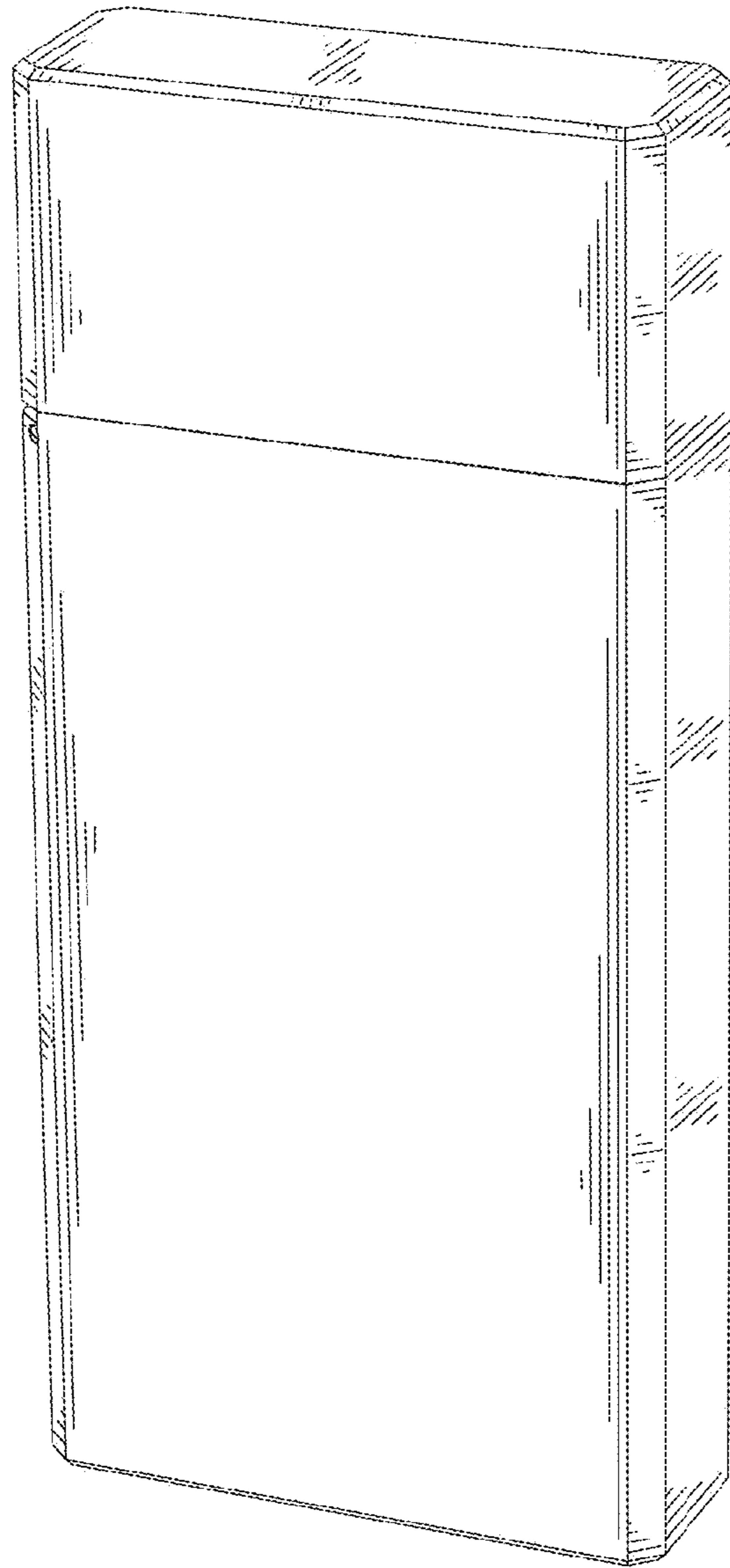


FIG. 1

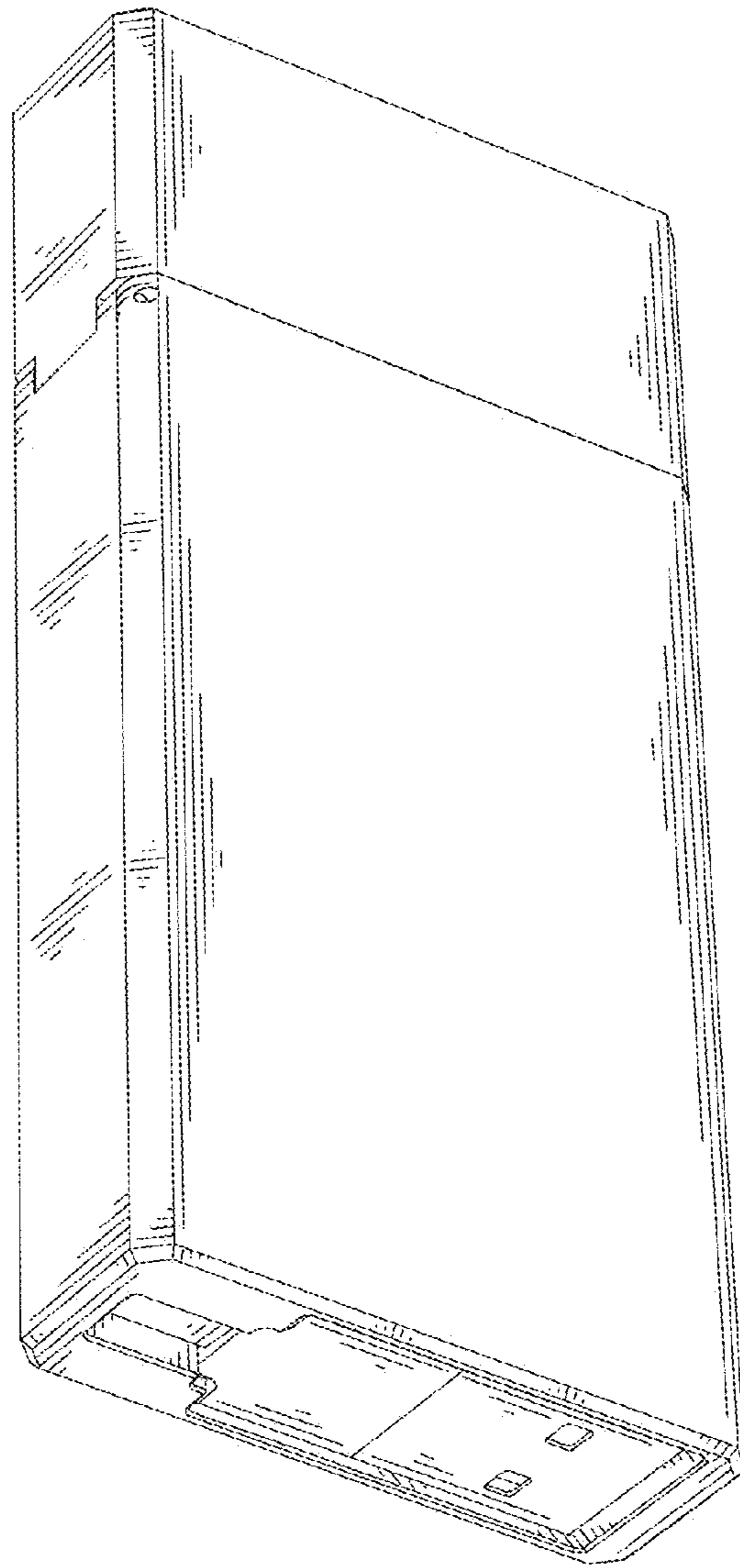


FIG. 2

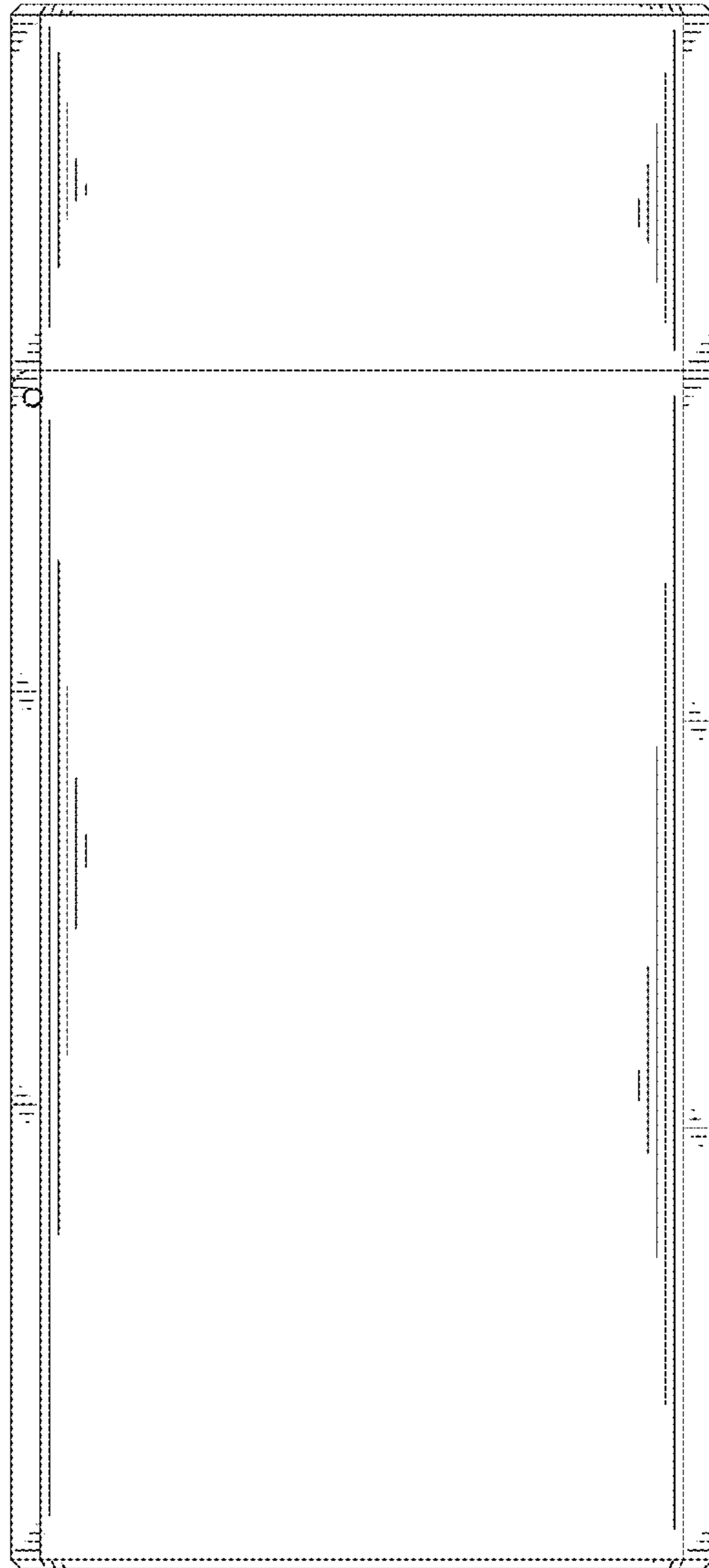


FIG. 3

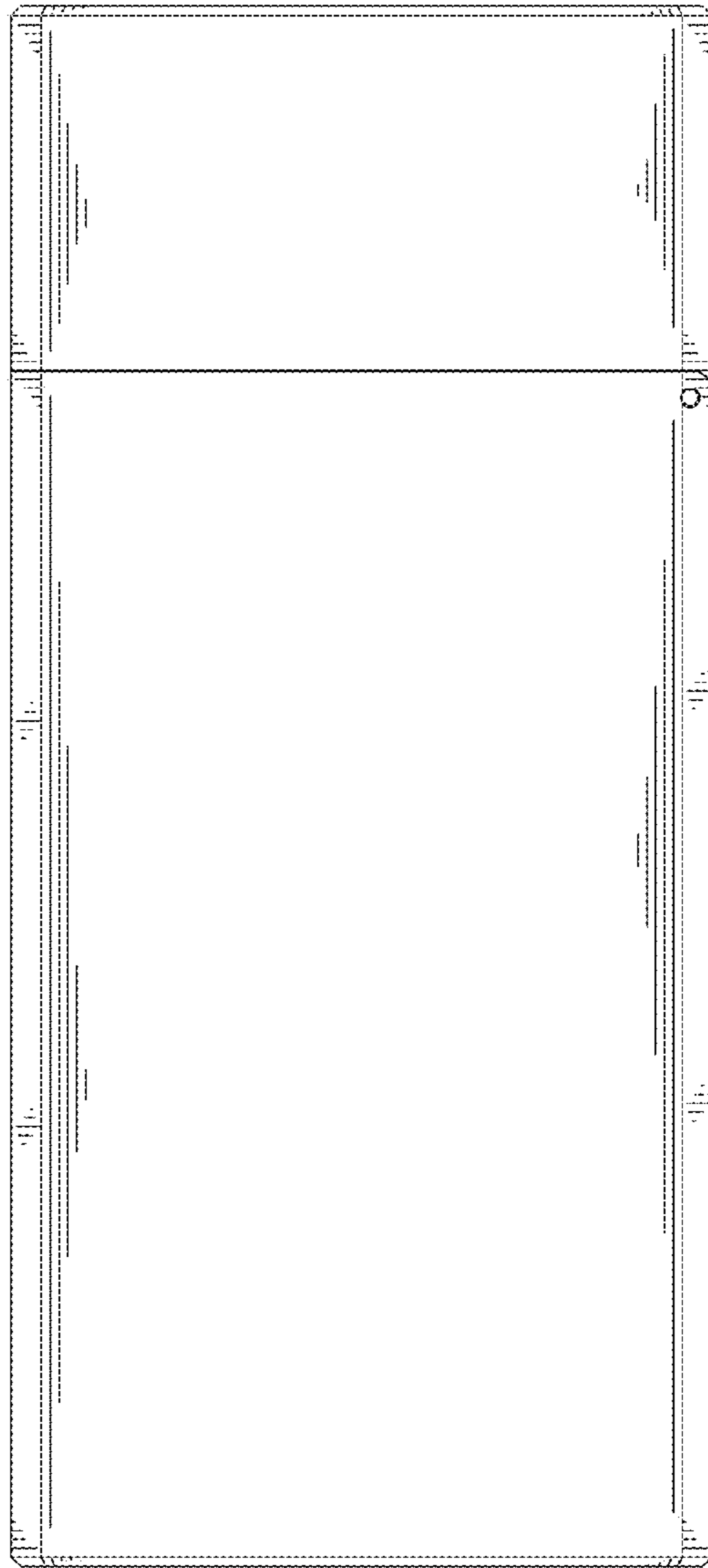


FIG. 4

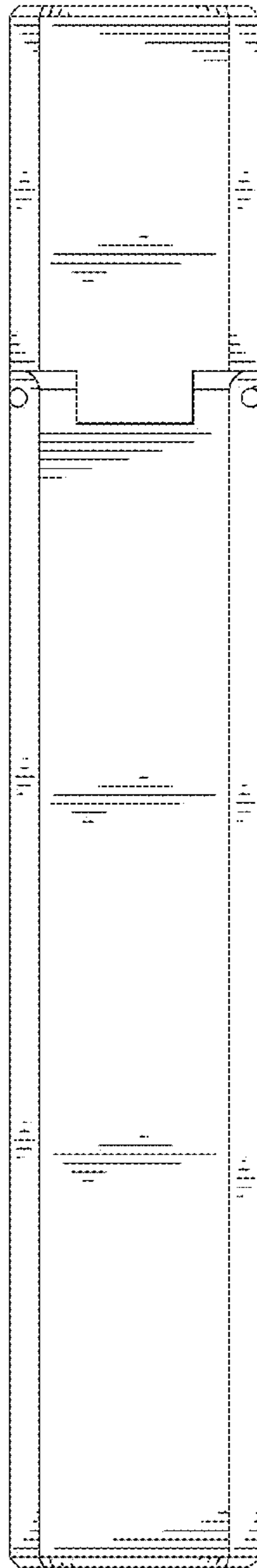


FIG. 5

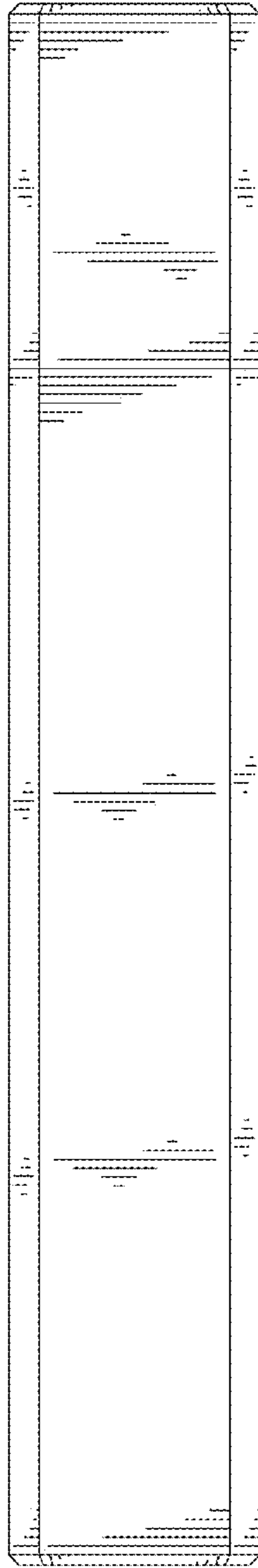


FIG. 6

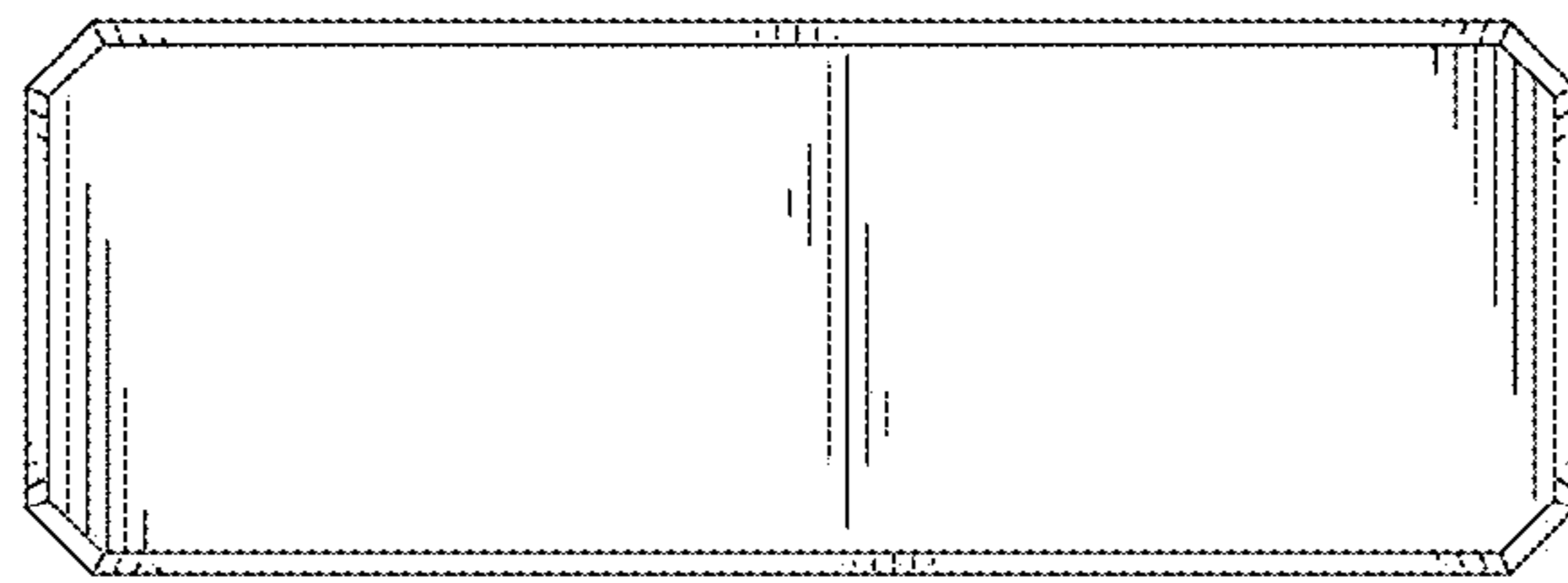


FIG. 7

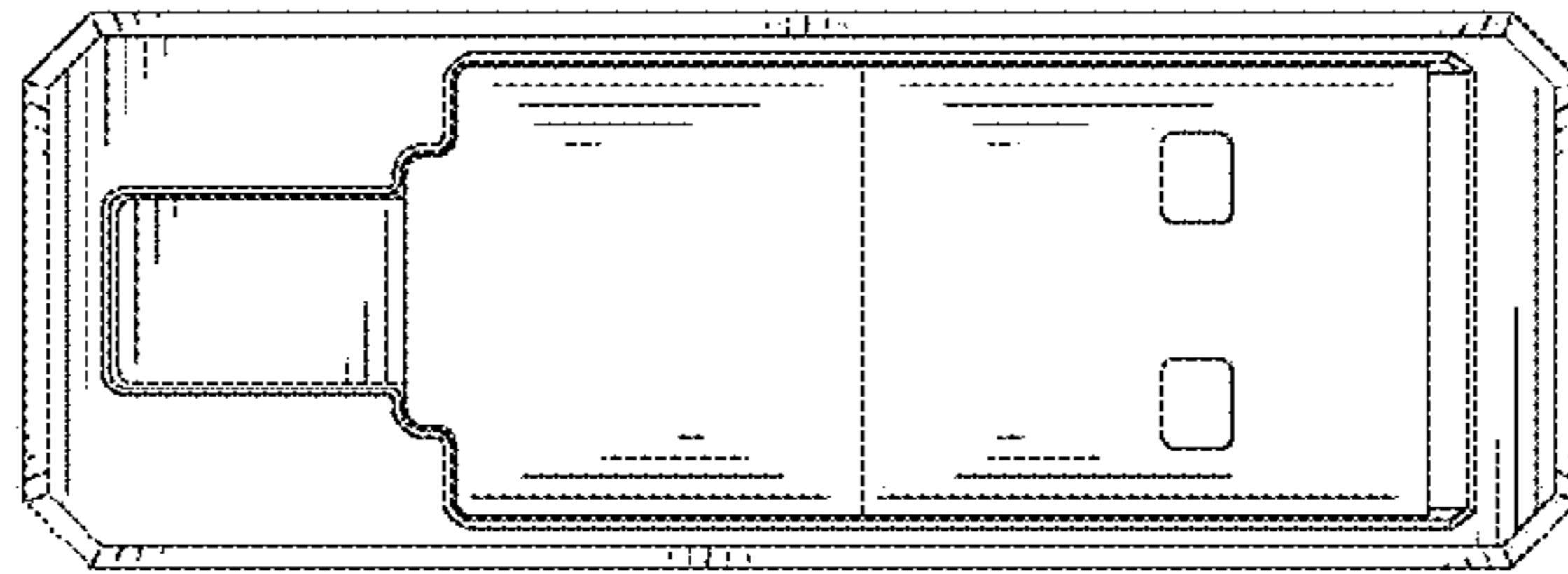


FIG. 8

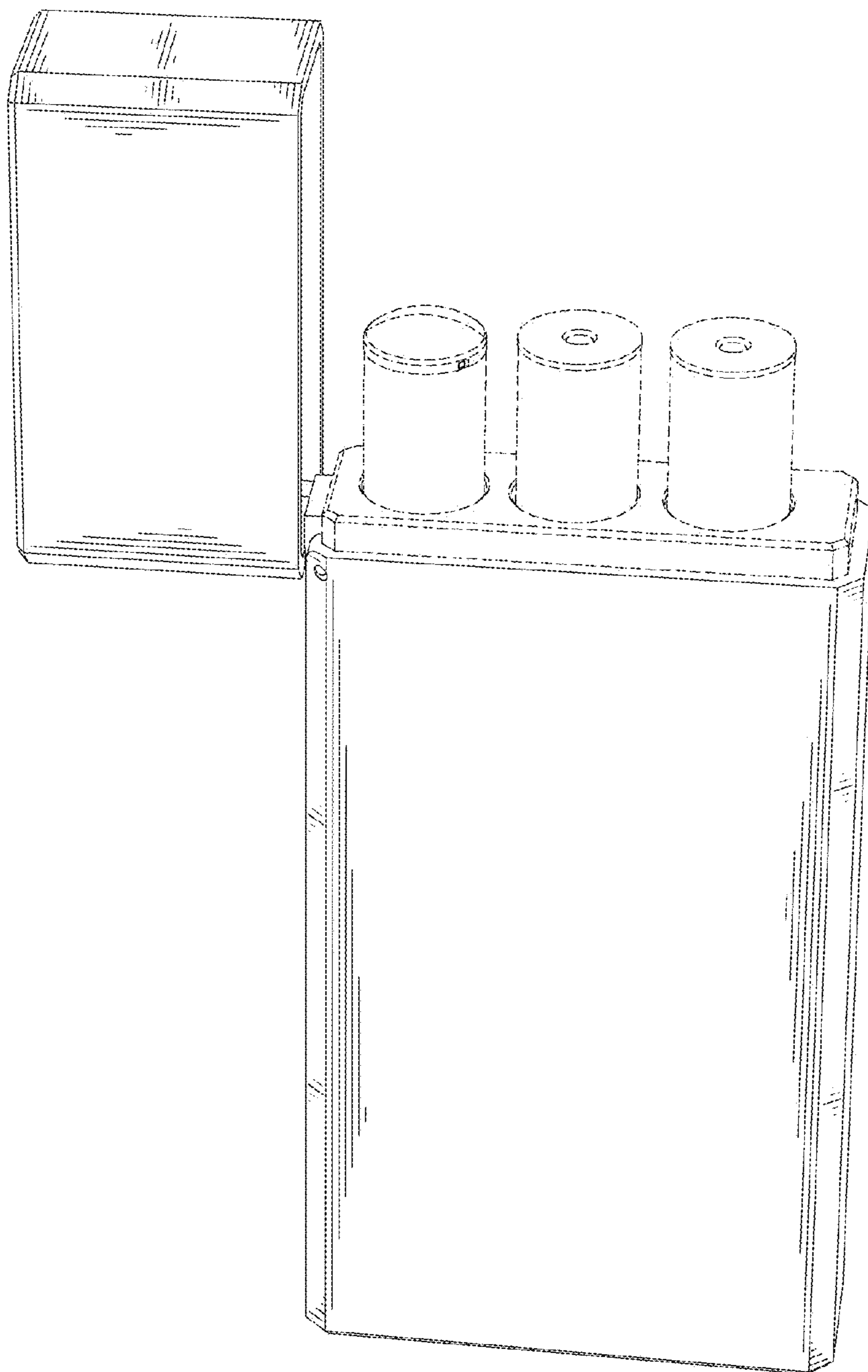


FIG. 9

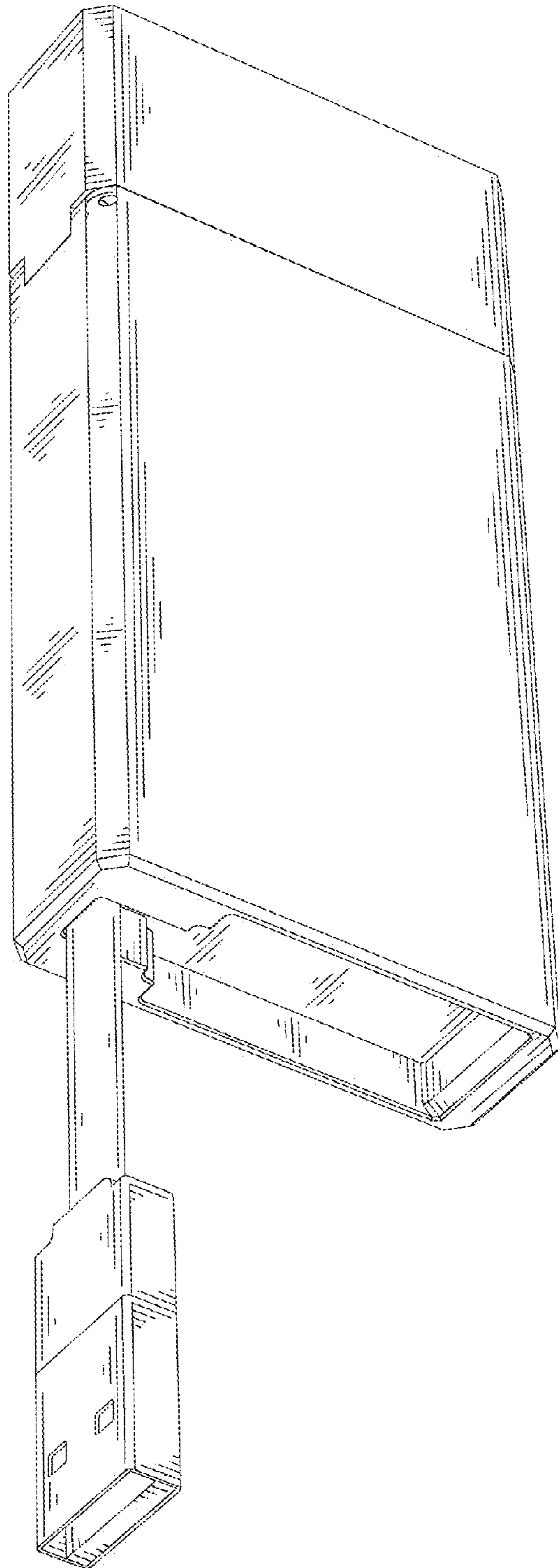


FIG. 10

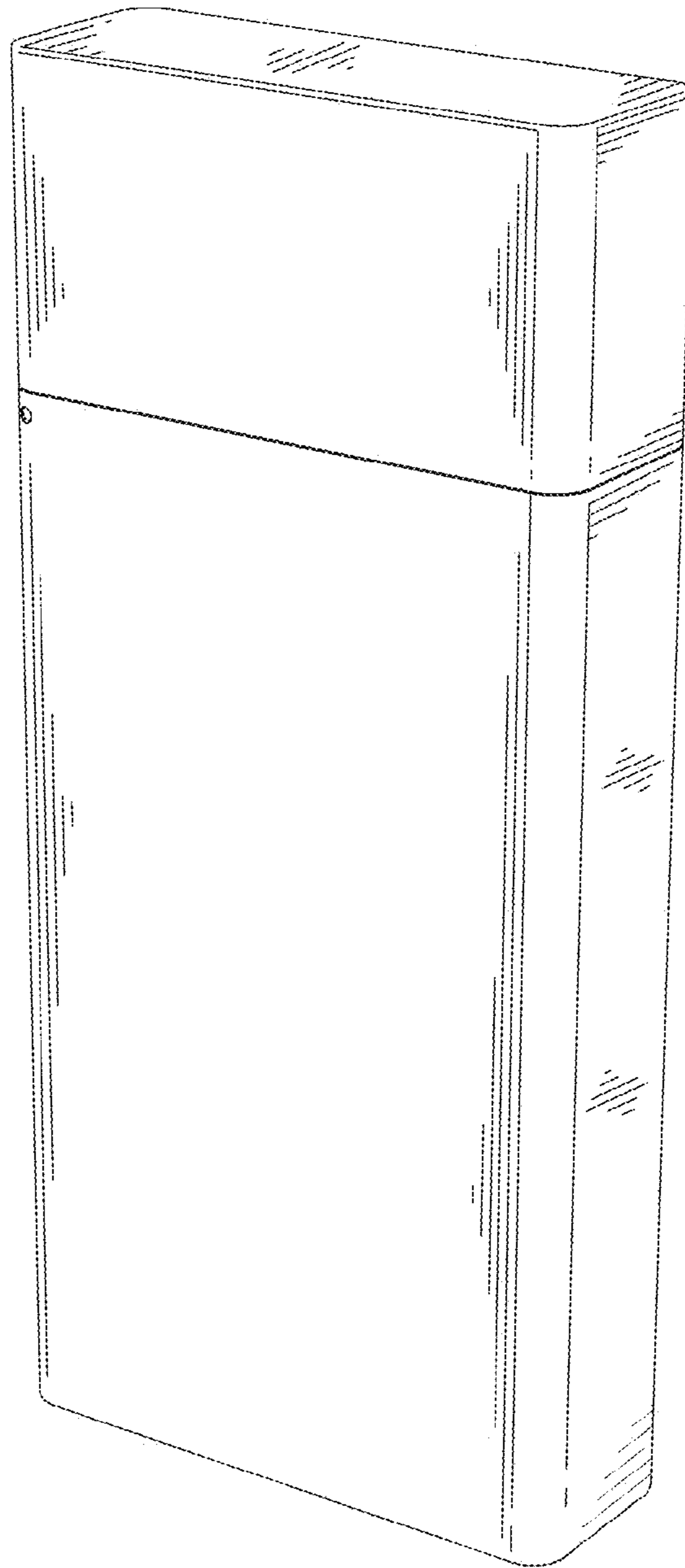


FIG. 11

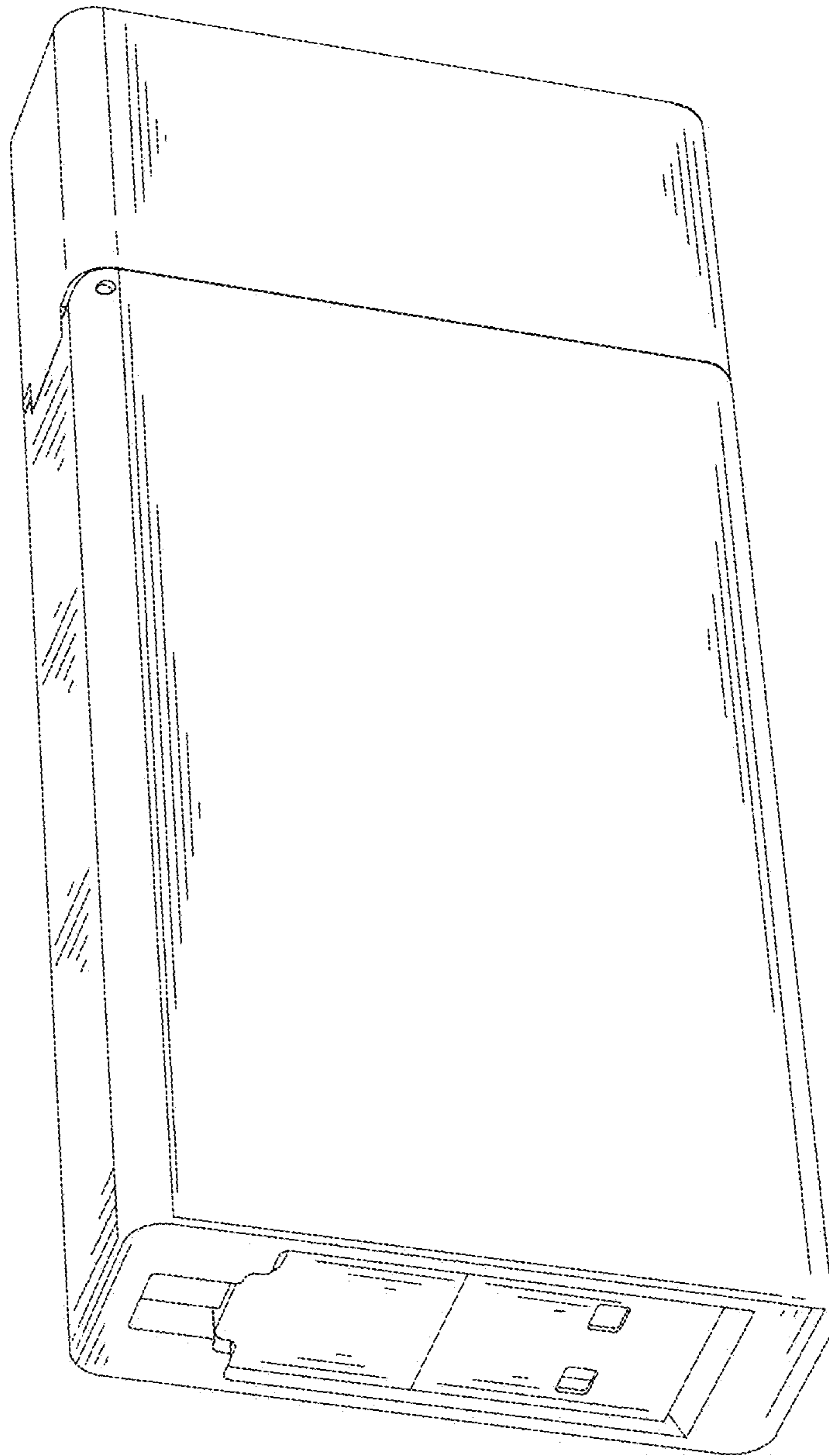


FIG. 12

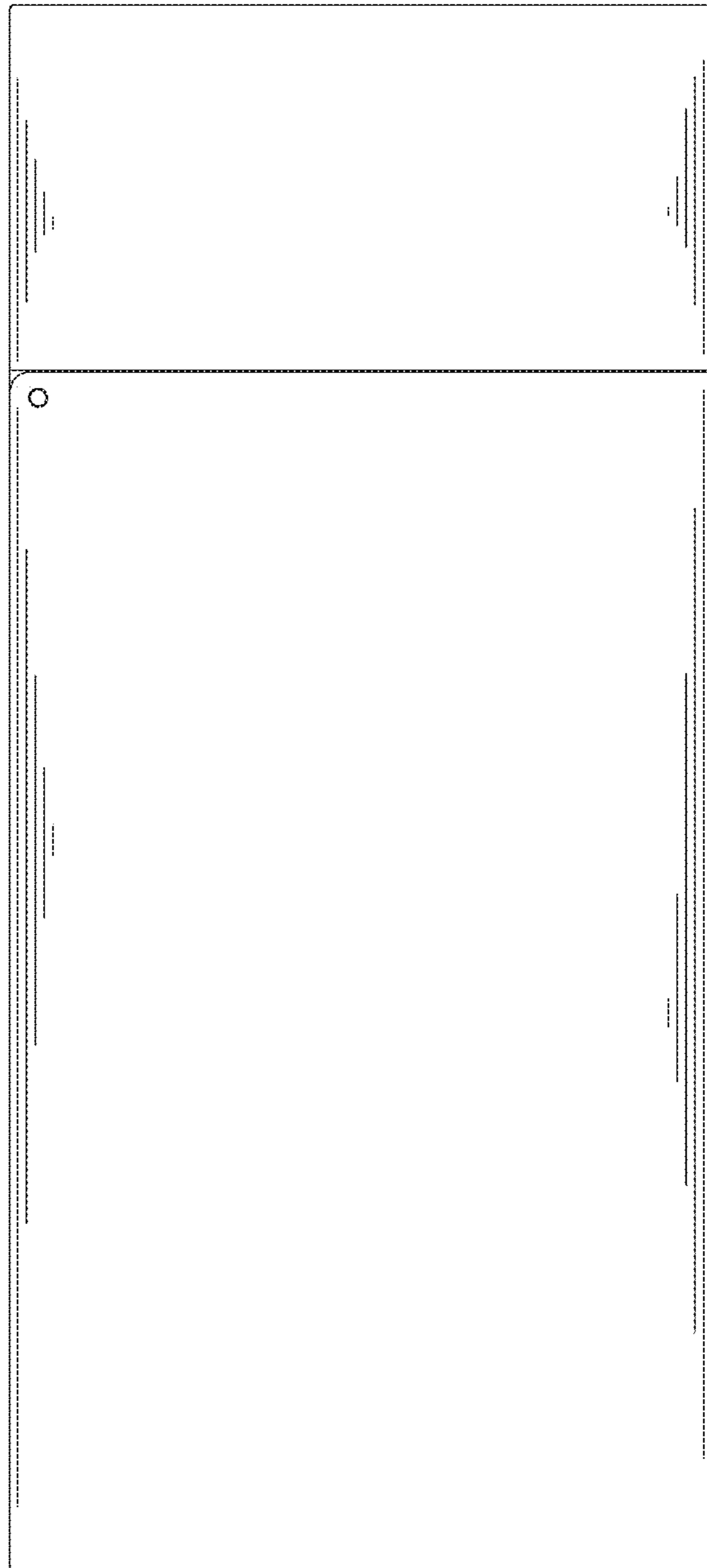


FIG. 13

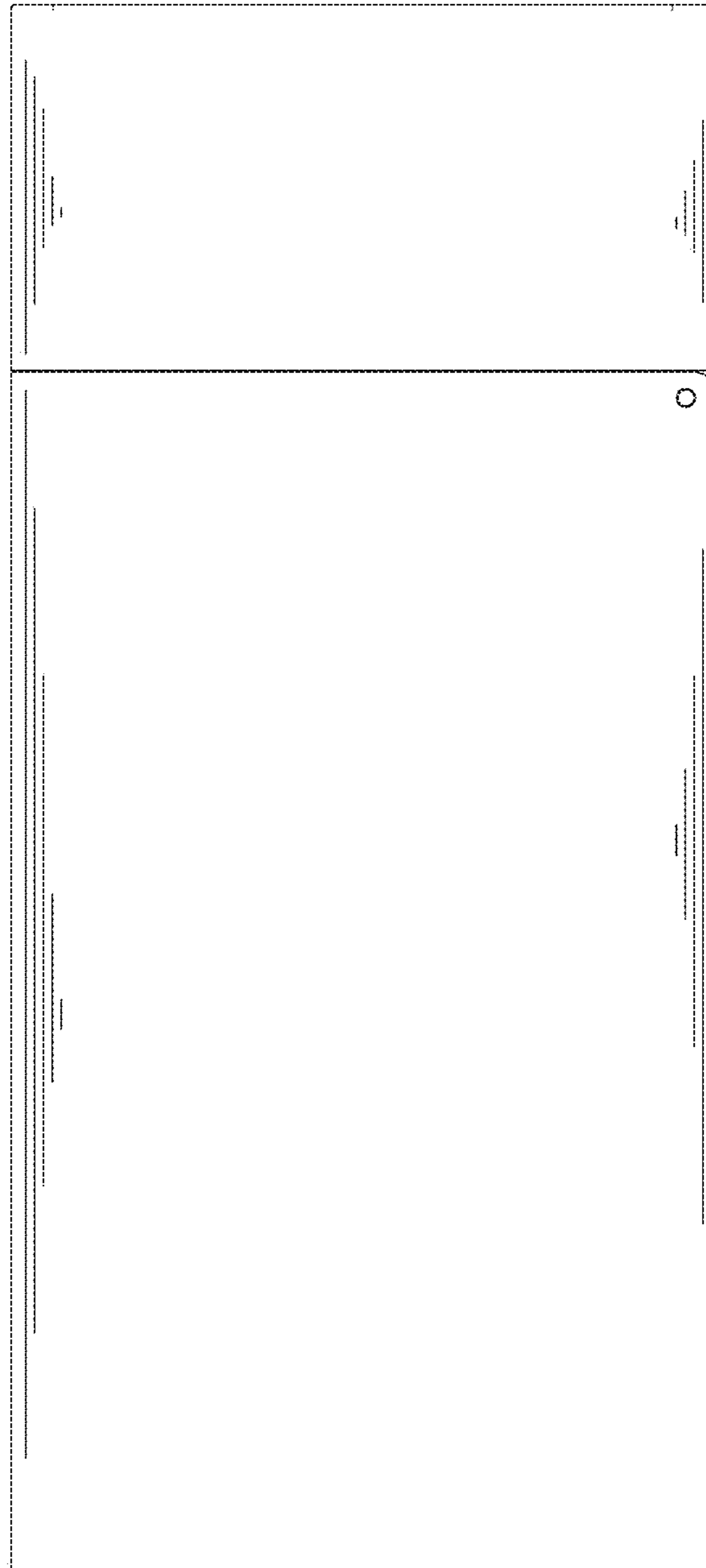


FIG. 14

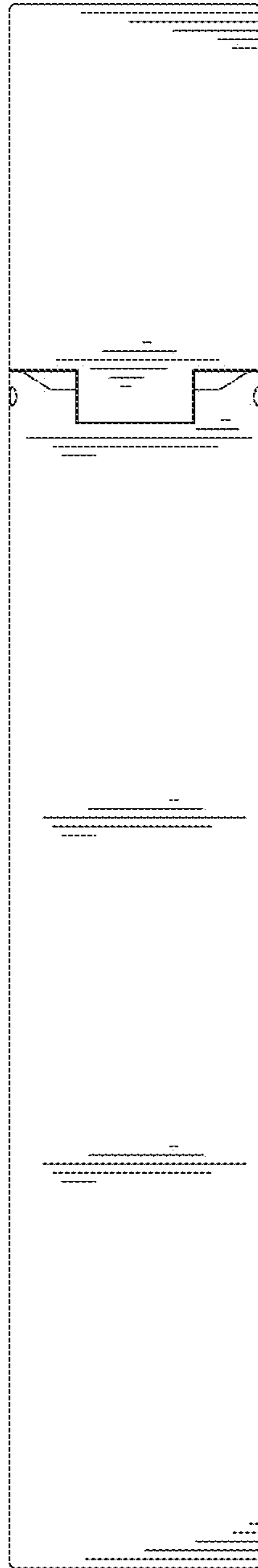


FIG. 15

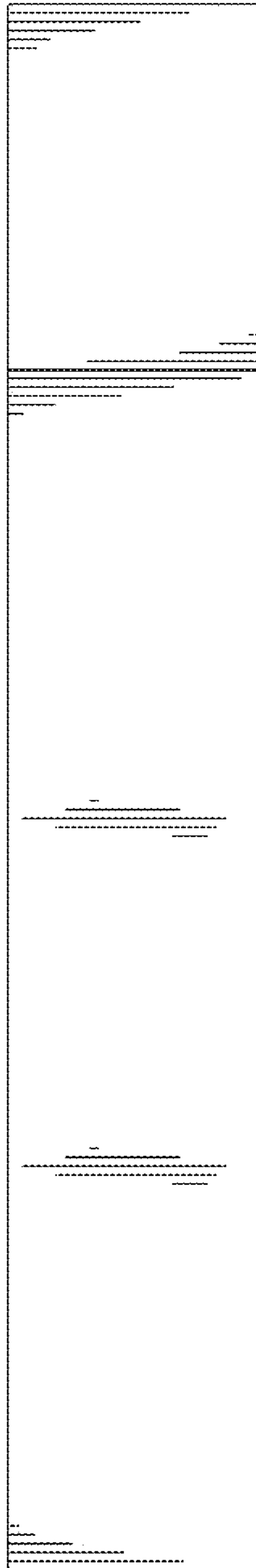


FIG. 16

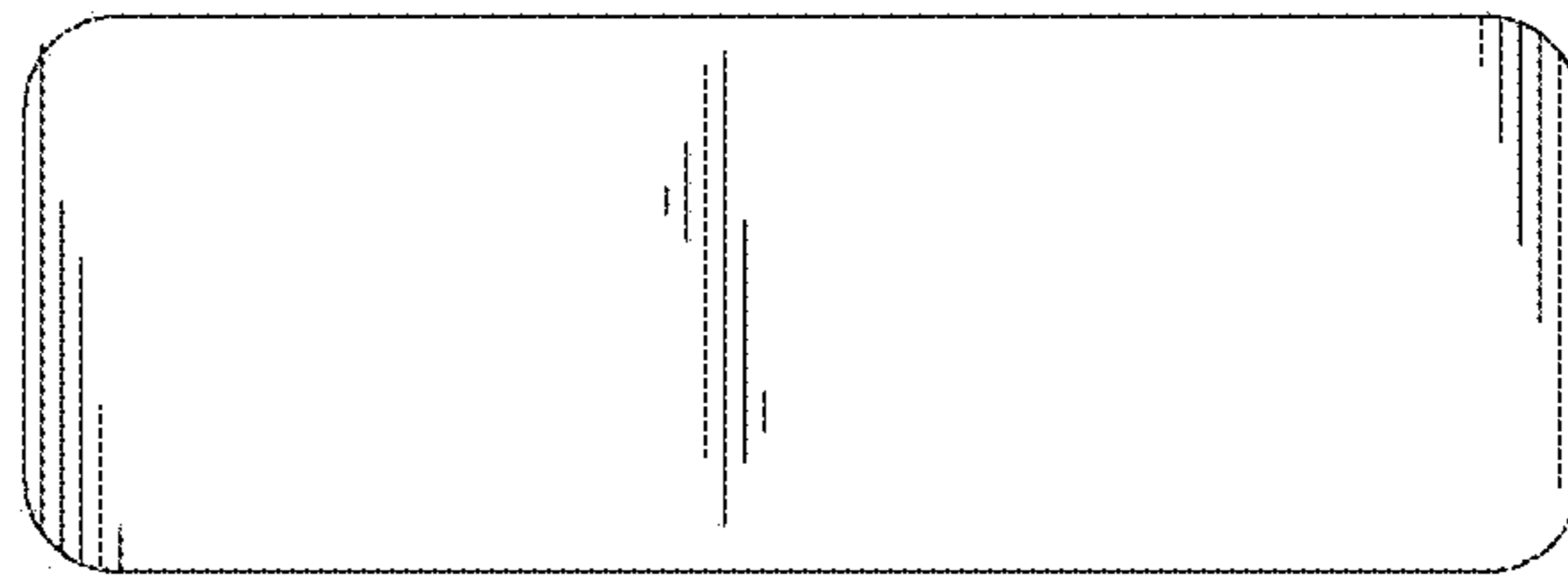


FIG. 17

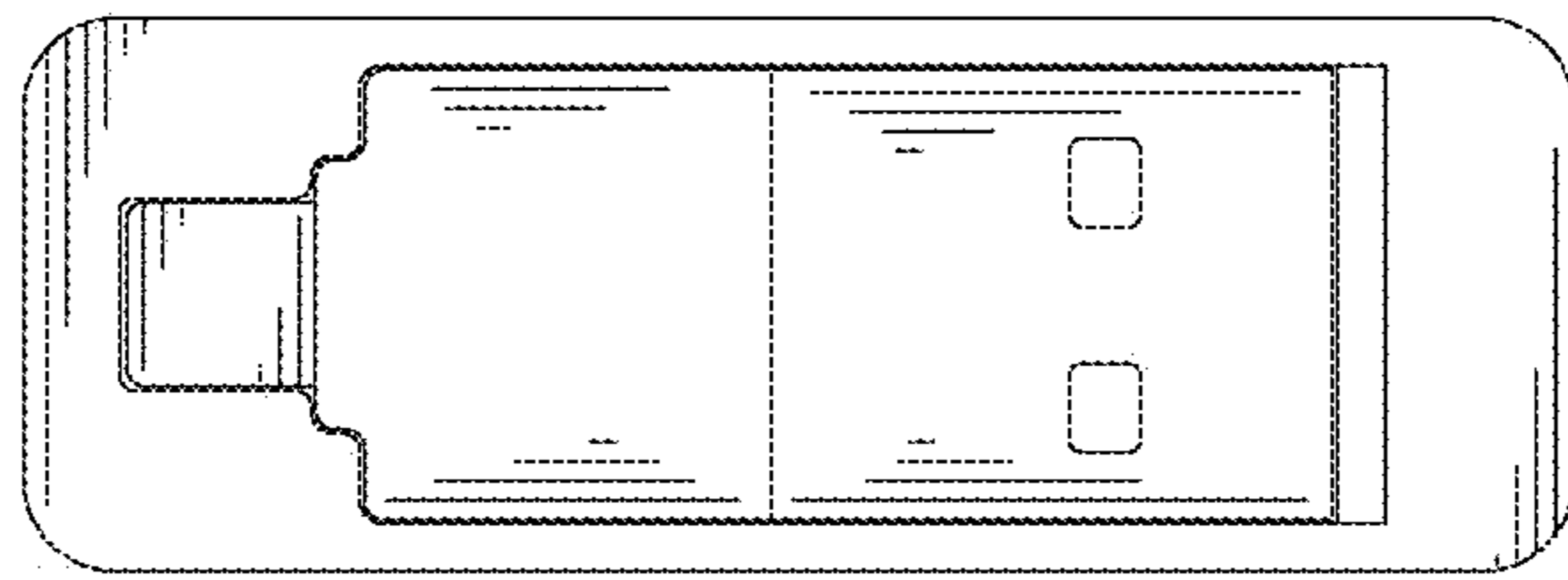


FIG. 18

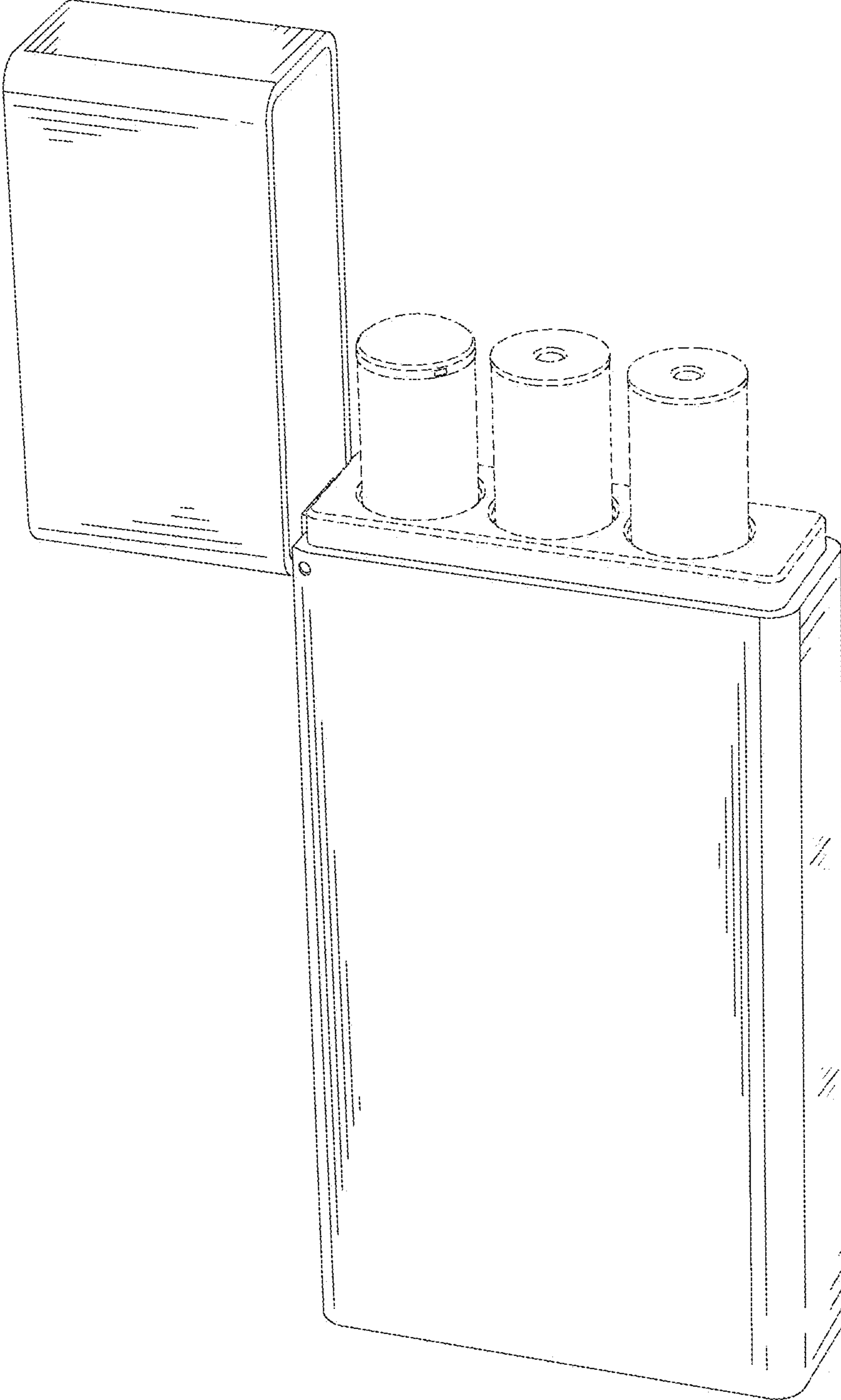


FIG. 19

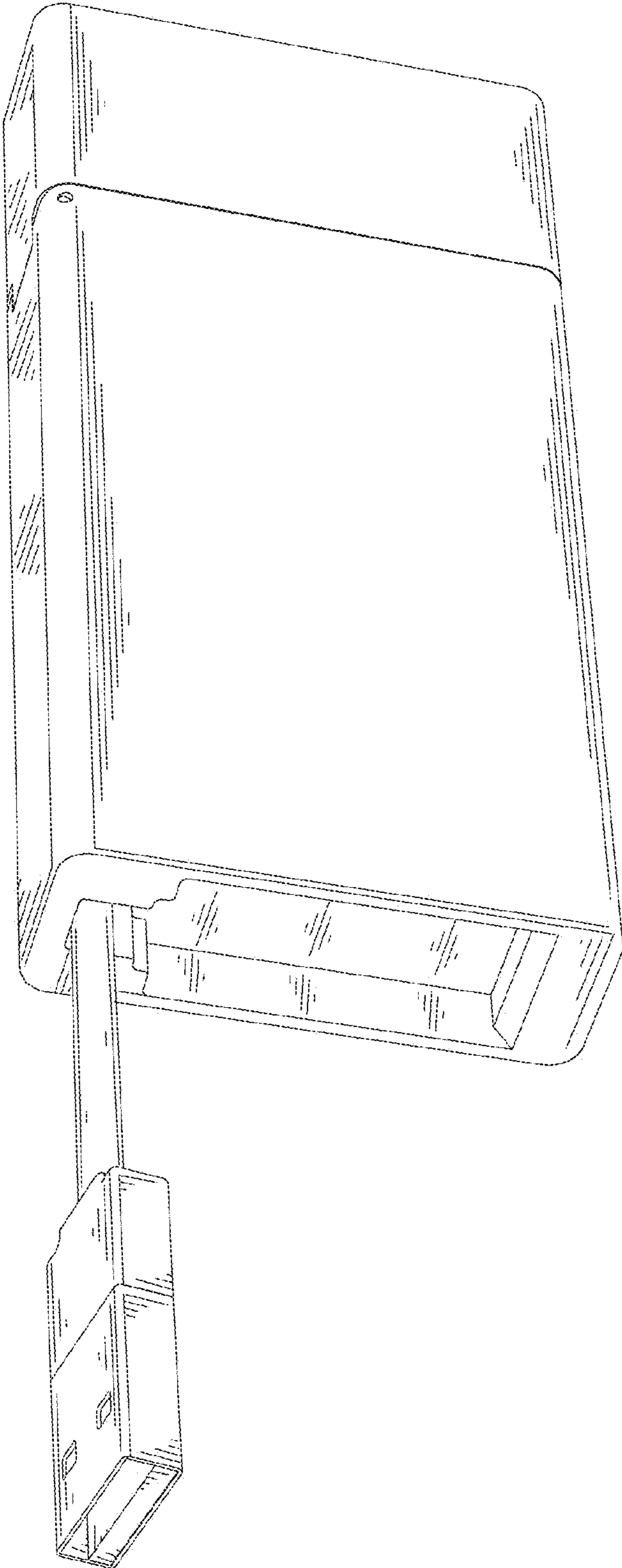


FIG. 20