



US00D723728S

(12) **United States Design Patent**
Jeswani et al.

(10) **Patent No.:** **US D723,728 S**
(45) **Date of Patent:** **** Mar. 3, 2015**

(54) **RECESSED DOWNLIGHT GIMBAL LUMINAIRE**

(71) Applicants: **Anil Jeswani**, Beverly, MA (US);
Jean-Francois Rouleau, Charlestown, MA (US); **Wei Chen**, Cixi (CN)

(72) Inventors: **Anil Jeswani**, Beverly, MA (US);
Jean-Francois Rouleau, Charlestown, MA (US); **Wei Chen**, Cixi (CN)

(73) Assignee: **OSRAM SYLVANIA Inc.**, Danvers, MA (US)

(**) Term: **14 Years**

(21) Appl. No.: **29/491,765**

(22) Filed: **May 23, 2014**

(51) **LOC (10) Cl.** **26-05**

(52) **U.S. Cl.**
USPC **D26/74**

(58) **Field of Classification Search**

CPC F21V 29/2262; F21V 7/06; F21V 21/044;
F21V 21/047; F21V 29/2212; F21V 29/2225;
F21V 29/2256; F21V 29/225; F21V 29/2268;
F21S 8/02; F21S 8/026; F21Y 2111/002
USPC D26/74, 72, 75, 76, 77, 78, 85, 88, 89,
D26/118, 138, 141; 362/364, 365, 373, 145,
362/146, 147, 148, 150, 153, 153.1, 294,
362/296.01, 296.07, 296.08

See application file for complete search history.

(56) **References Cited**

U.S. PATENT DOCUMENTS

D320,862 S 10/1991 Moeller et al.
D326,729 S 6/1992 Gattari
D474,300 S 5/2003 Lecluze
D548,389 S 8/2007 Lecluze
D571,497 S * 6/2008 Chan et al. D26/74
D581,083 S 11/2008 Chan et al.
7,722,227 B2 5/2010 Zhang et al.
D633,099 S 2/2011 Van de Ven et al.
D640,820 S 6/2011 Hopper

D654,205 S 2/2012 Rashidi
D656,262 S 3/2012 Yoshinobu et al.
D659,892 S 5/2012 Ding et al.
D659,893 S 5/2012 Ding et al.
D678,584 S 3/2013 Schmitt et al.
D681,859 S * 5/2013 Beregszaszi D26/74
D690,049 S * 9/2013 Rashidi D26/74
D696,446 S * 12/2013 Huh D26/74
D696,448 S * 12/2013 Huh D26/74
D700,387 S * 2/2014 Snell D26/74
8,684,565 B2 * 4/2014 Lopez et al. 362/294
D705,472 S * 5/2014 Huh D26/74

(Continued)

Primary Examiner — Angela J Lee

(74) *Attorney, Agent, or Firm* — Shaun P. Montana

(57) **CLAIM**

The ornamental design for a recessed downlight gimbal luminaire, as shown and described.

DESCRIPTION

FIG. 1 is a perspective view of a first embodiment of the ornamental design of the recessed downlight gimbal luminaire;

FIG. 2 is a side view of thereof;

FIG. 3 is a front view thereof;

FIG. 4 is a back view thereof;

FIG. 5 is a top view thereof;

FIG. 6 is a bottom view thereof; and,

FIG. 7 is another perspective view thereof.

FIG. 8 is a perspective view of a second embodiment of the ornamental design of the recessed downlight gimbal luminaire;

FIG. 9 is a side view of thereof;

FIG. 10 is a front view thereof;

FIG. 11 is a back view thereof;

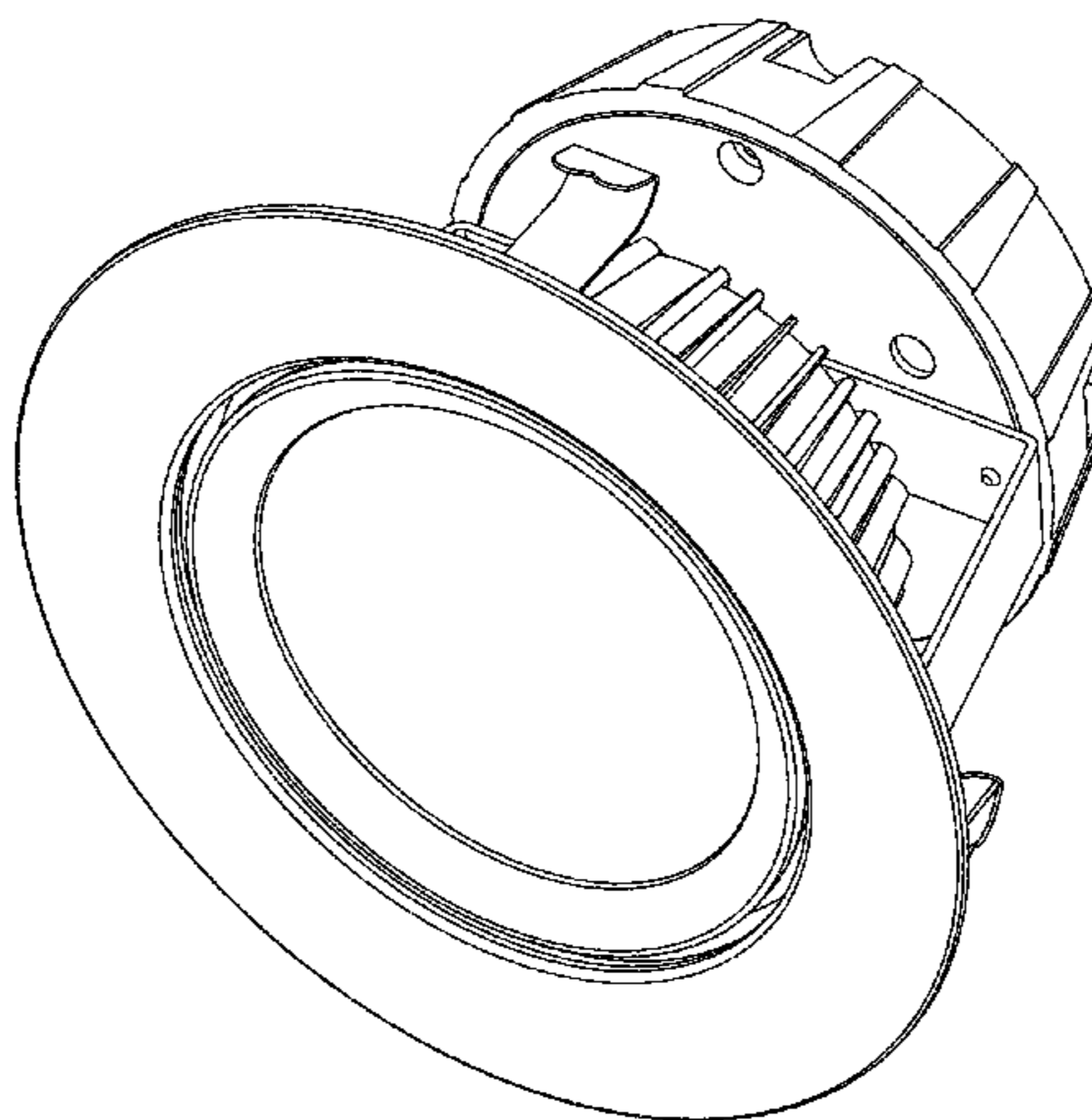
FIG. 12 is a top view thereof;

FIG. 13 is a bottom view thereof; and,

FIG. 14 is another perspective view thereof.

The broken-line disclosure in the views is understood to represent portions of the article in which the claimed design is embodied, but which form no part of the claimed design.

1 Claim, 14 Drawing Sheets



(56)

References Cited

U.S. PATENT DOCUMENTS

2010/0315812	A1*	12/2010	Liu	362/235			
2012/0140490	A1	6/2012	Rowlette, Jr.				
2013/0322084	A1*	12/2013	Ebisawa	362/269			
2014/0003061	A1*	1/2014	Chen et al.	362/311.02			
2014/0096934	A1*	4/2014	Xiong et al.	165/86			
2014/0204574	A1*	7/2014	Ebisawa	362/235			

* cited by examiner

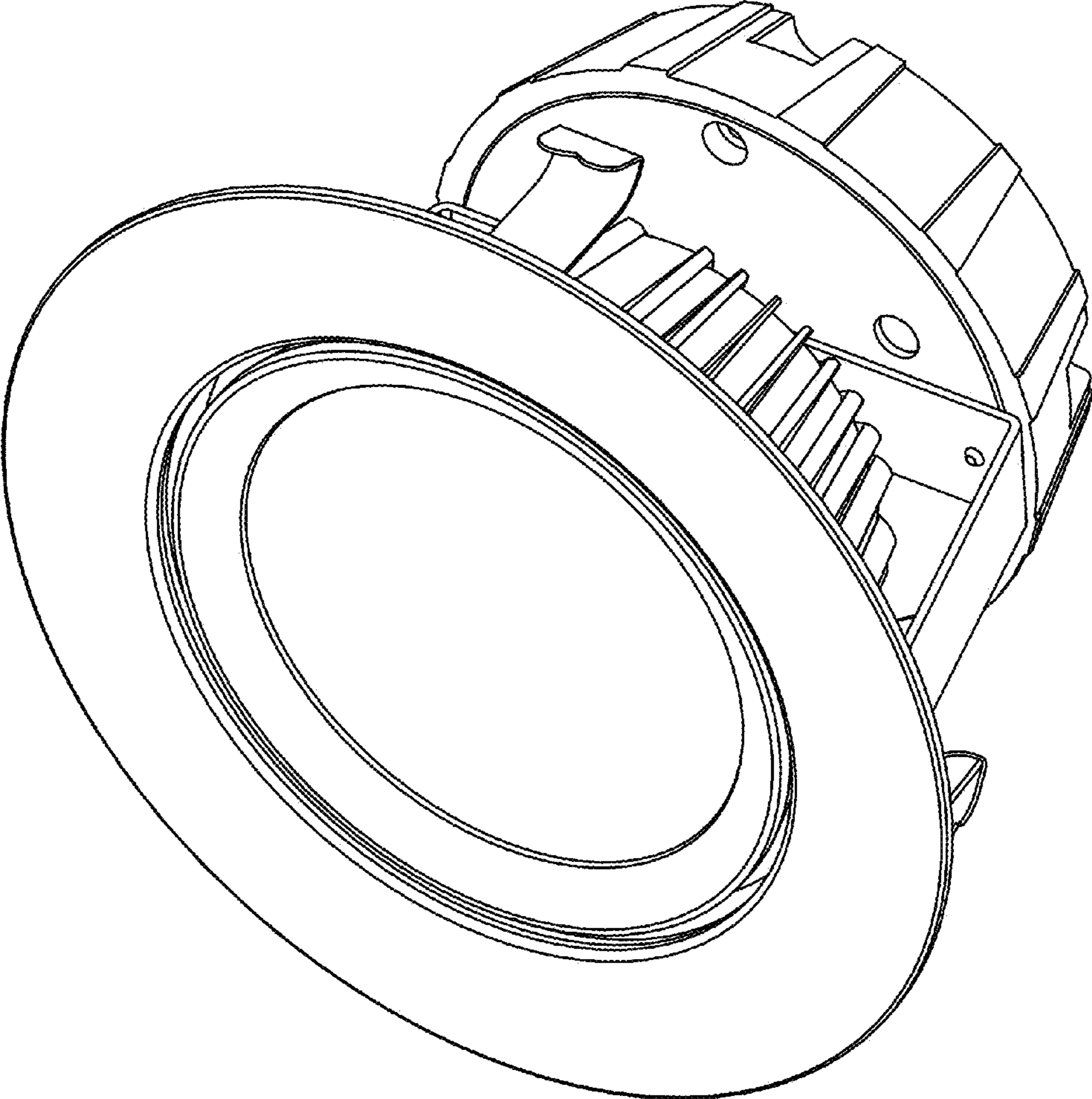


FIG. 1

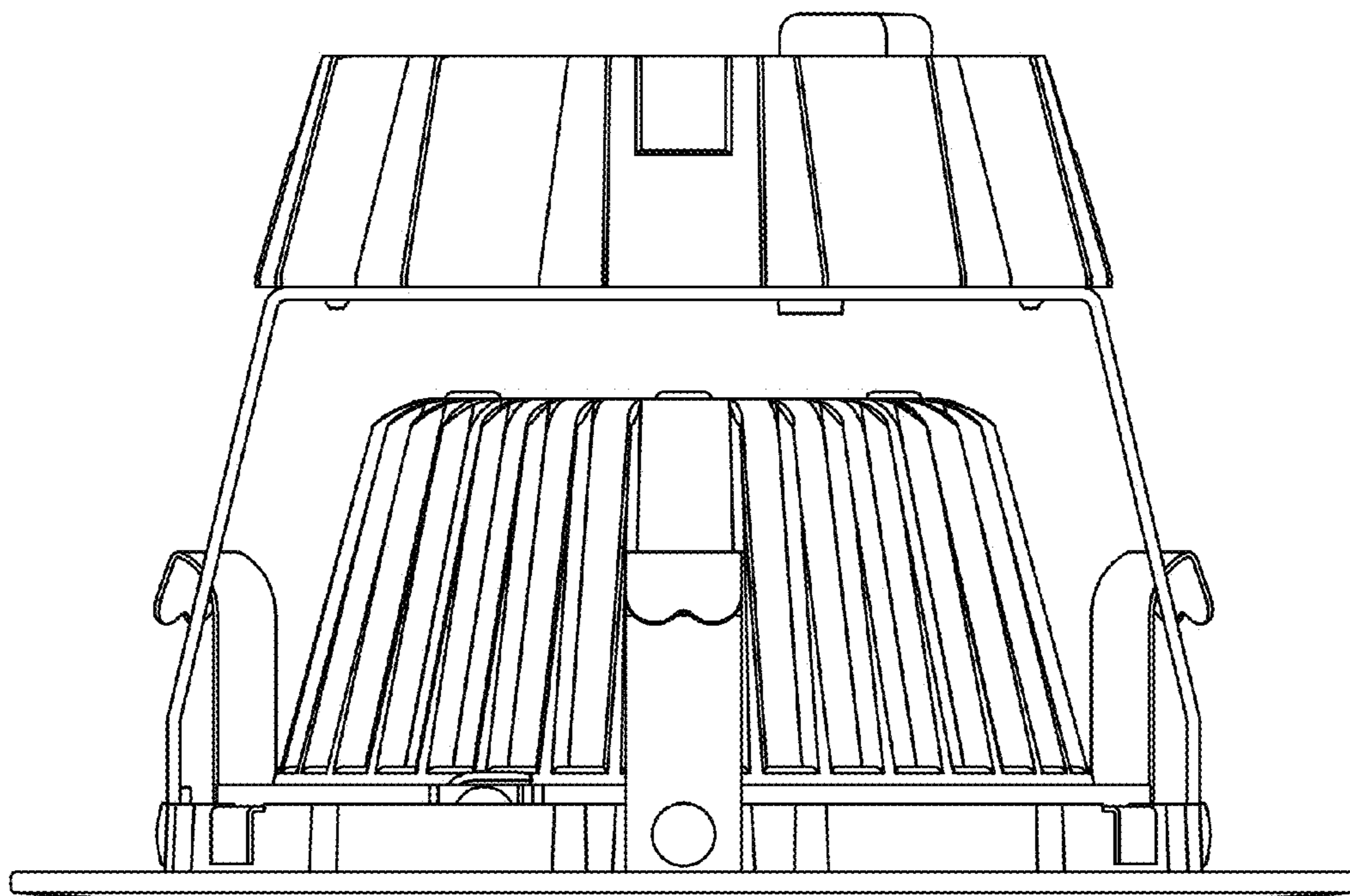


FIG. 2

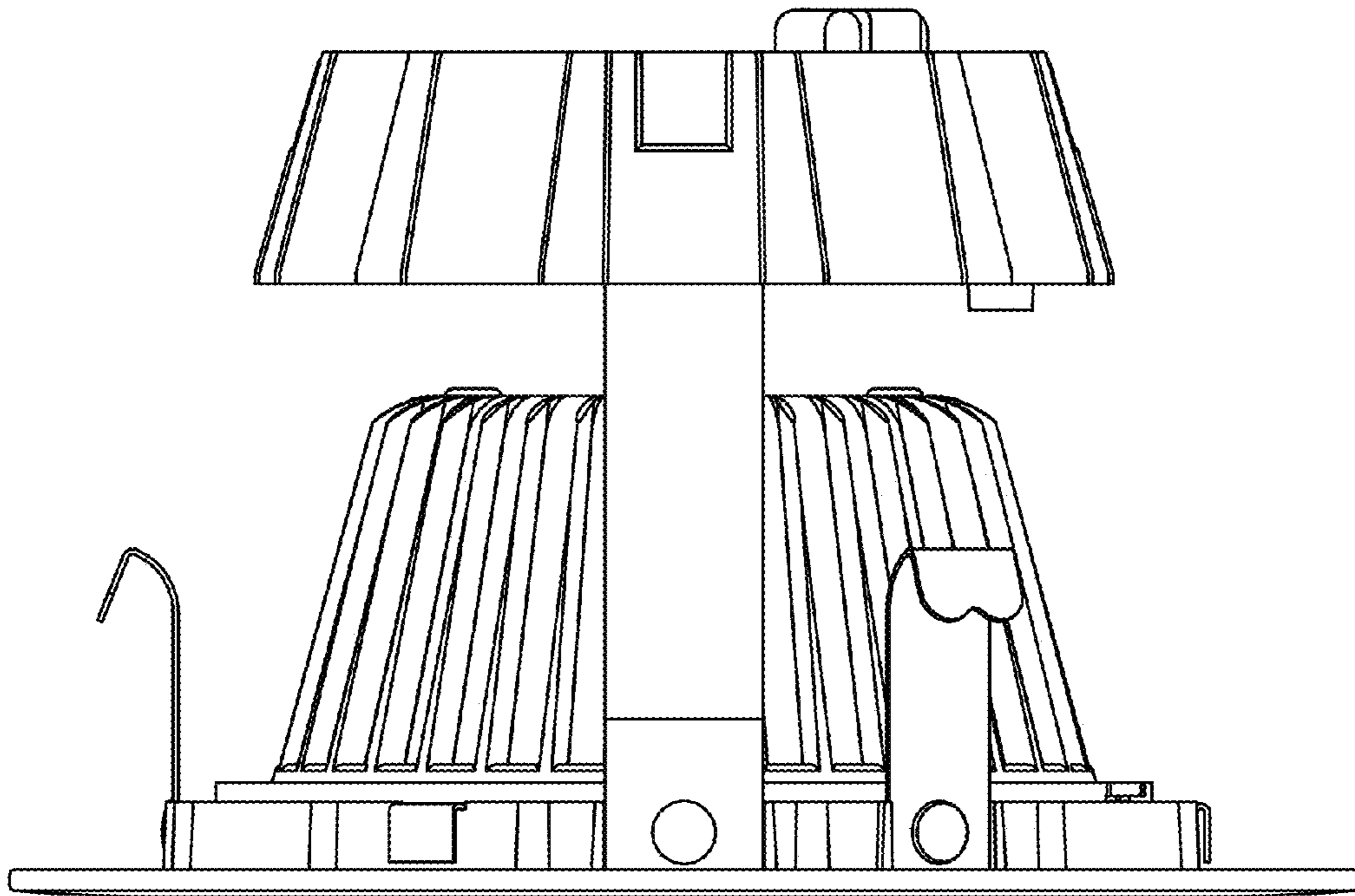


FIG. 3

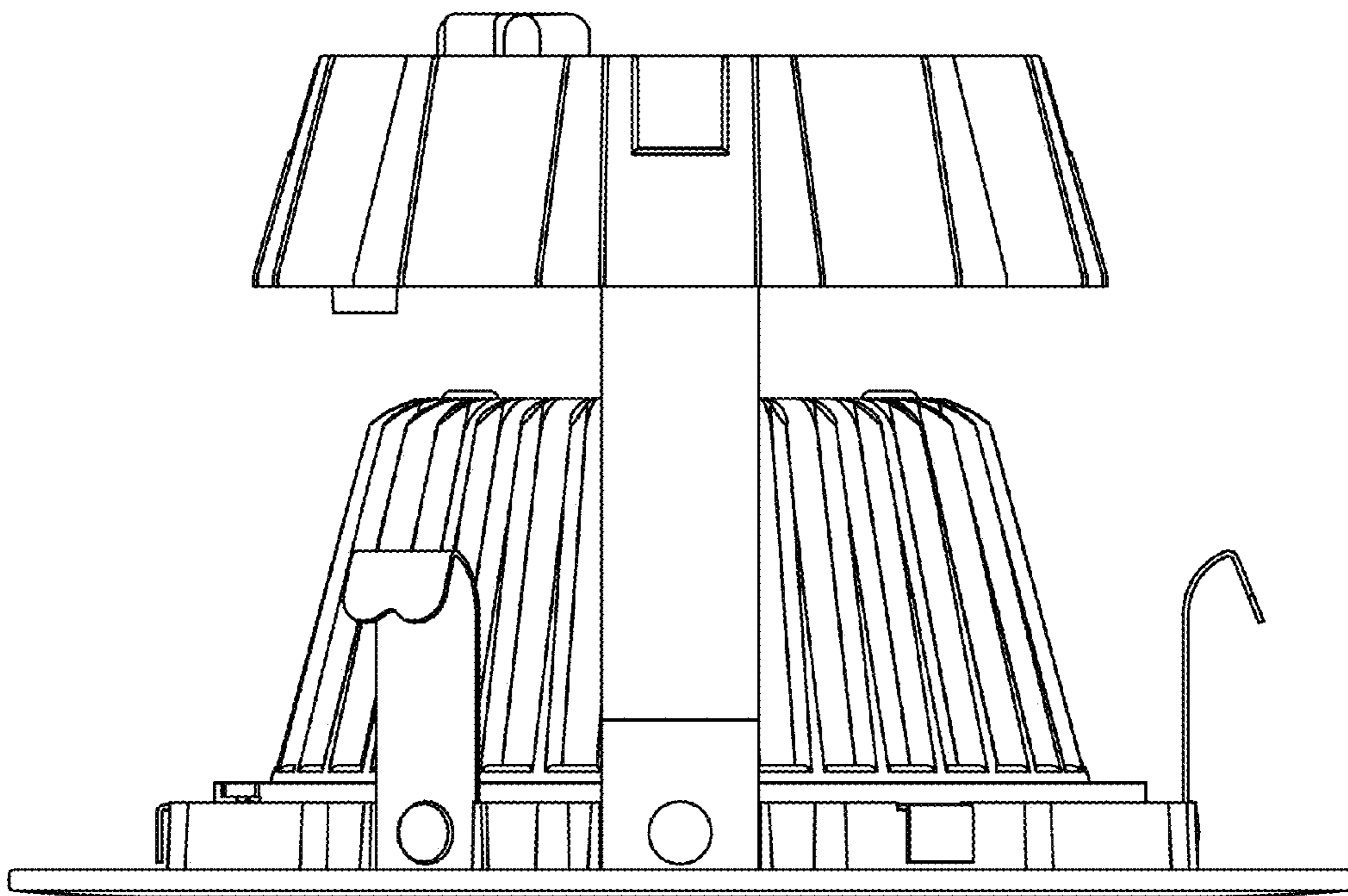


FIG. 4

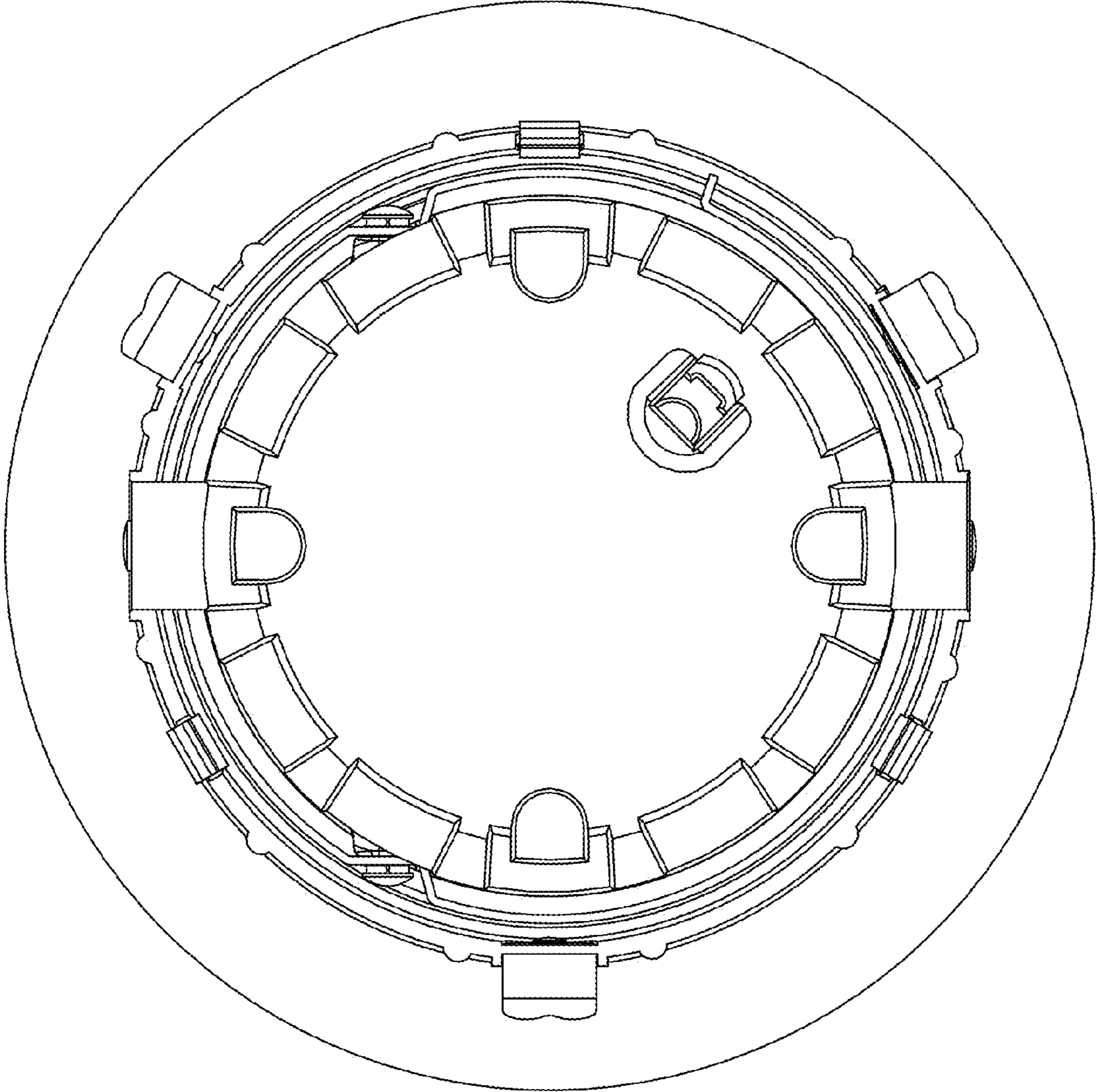


FIG. 5

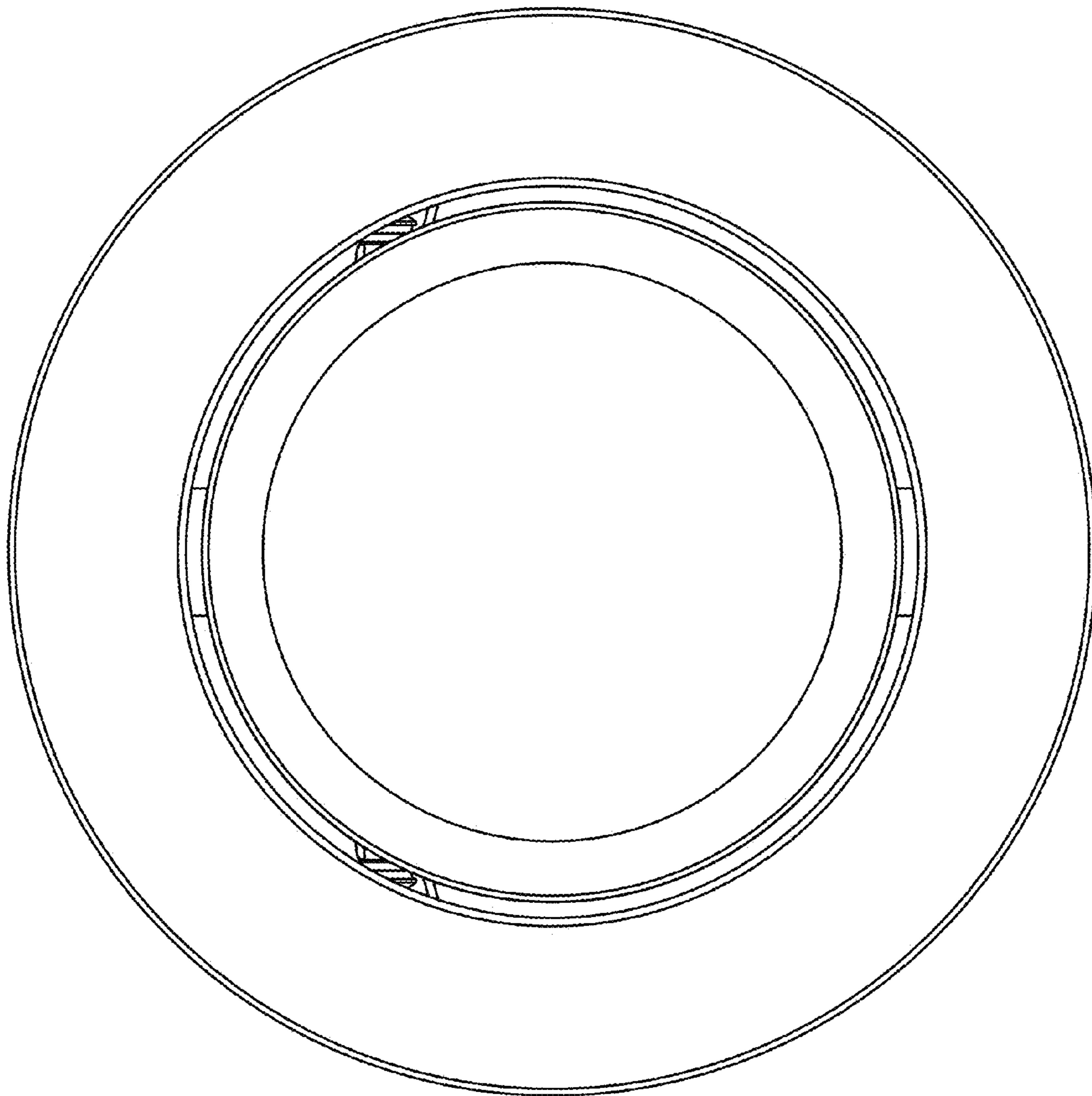


FIG. 6

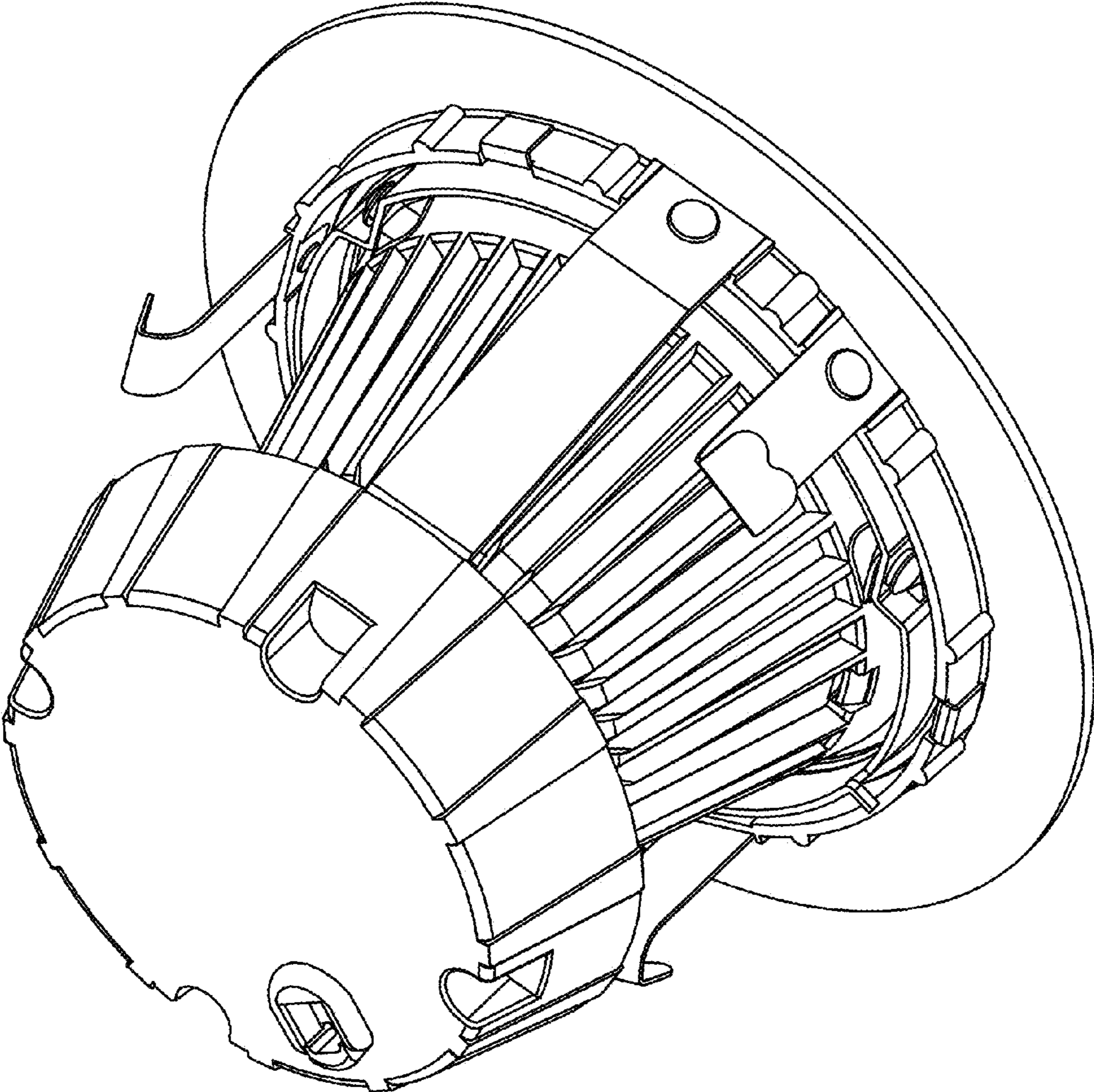


FIG. 7

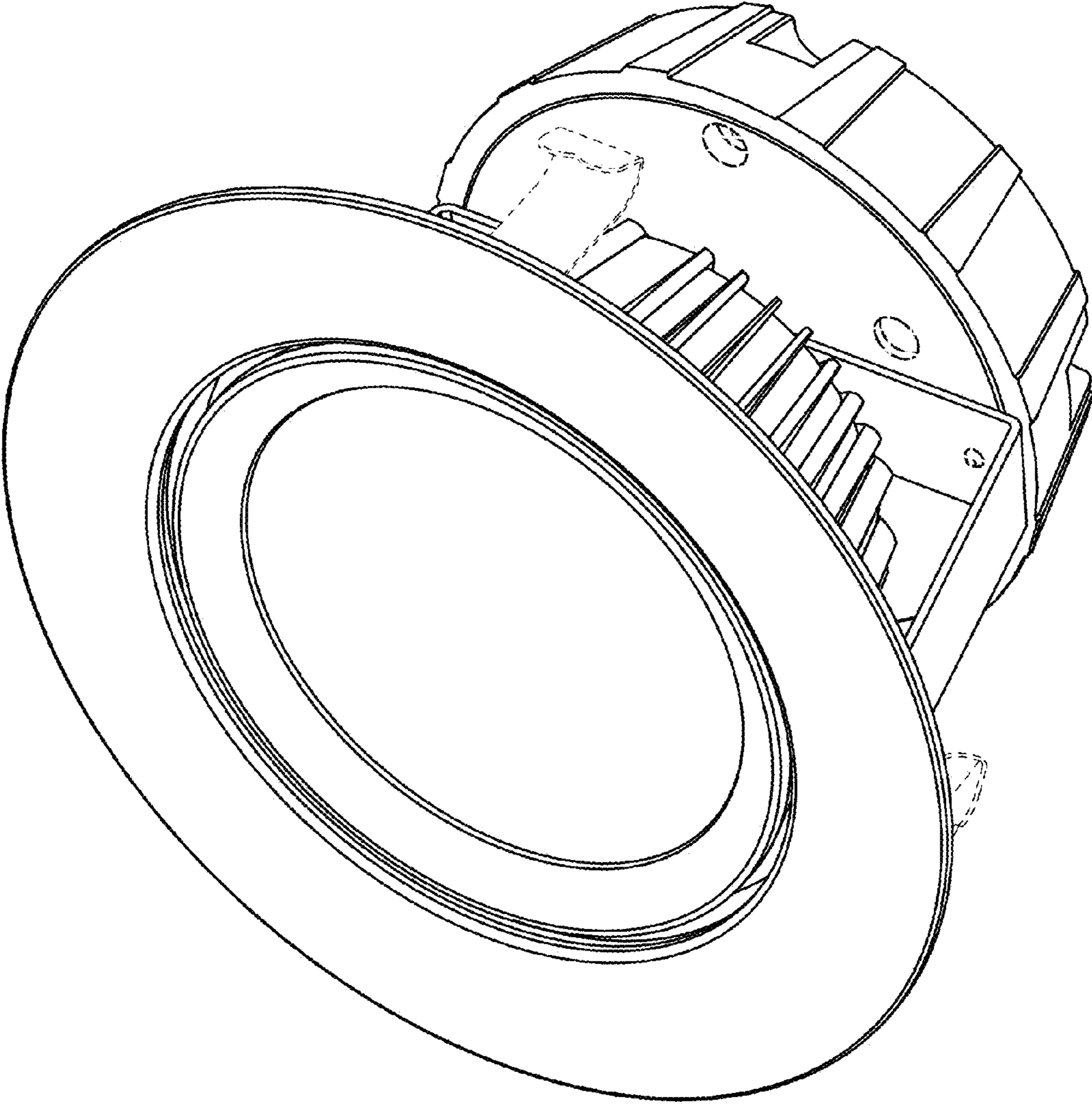


FIG. 8

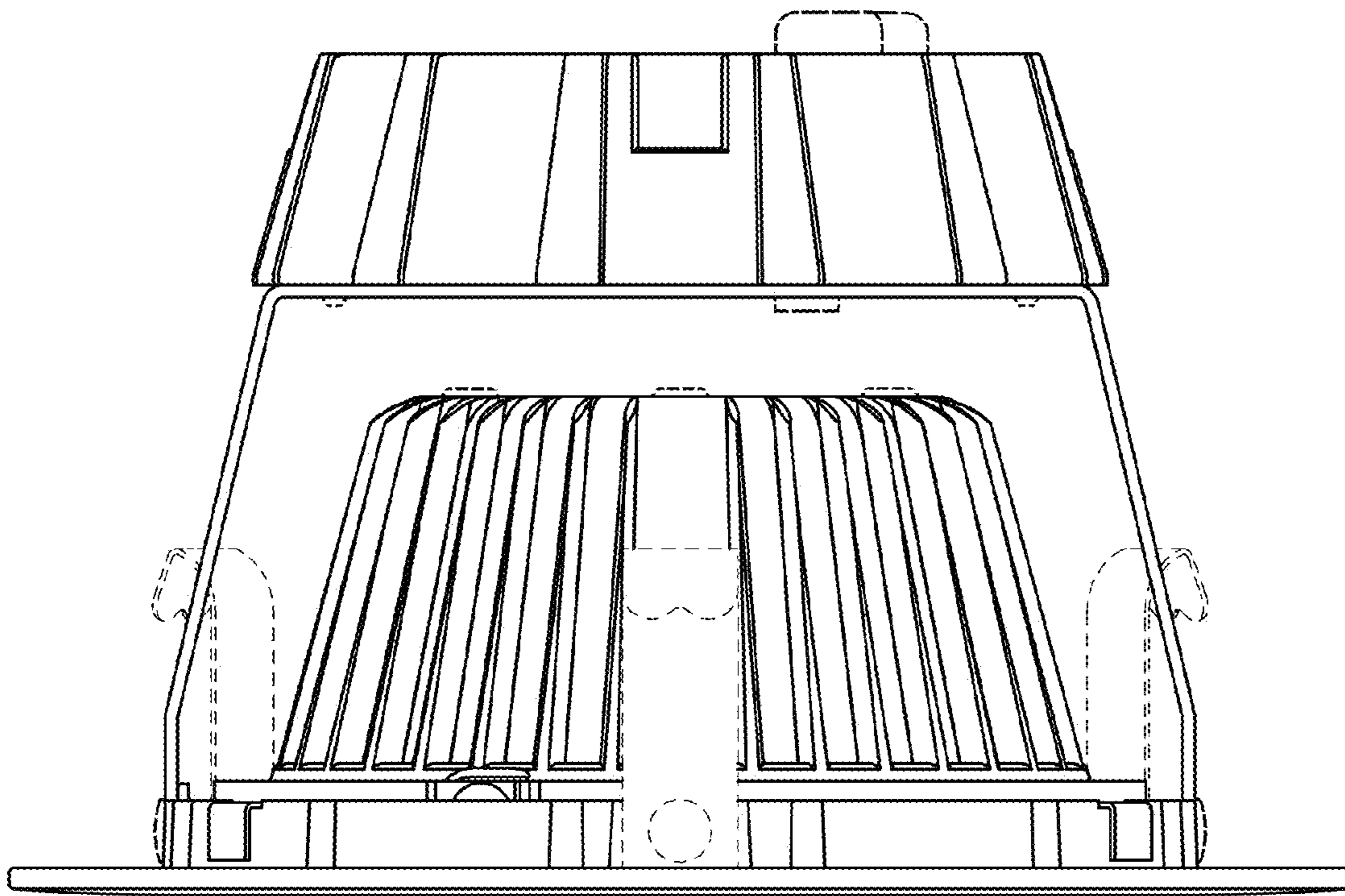


FIG. 9

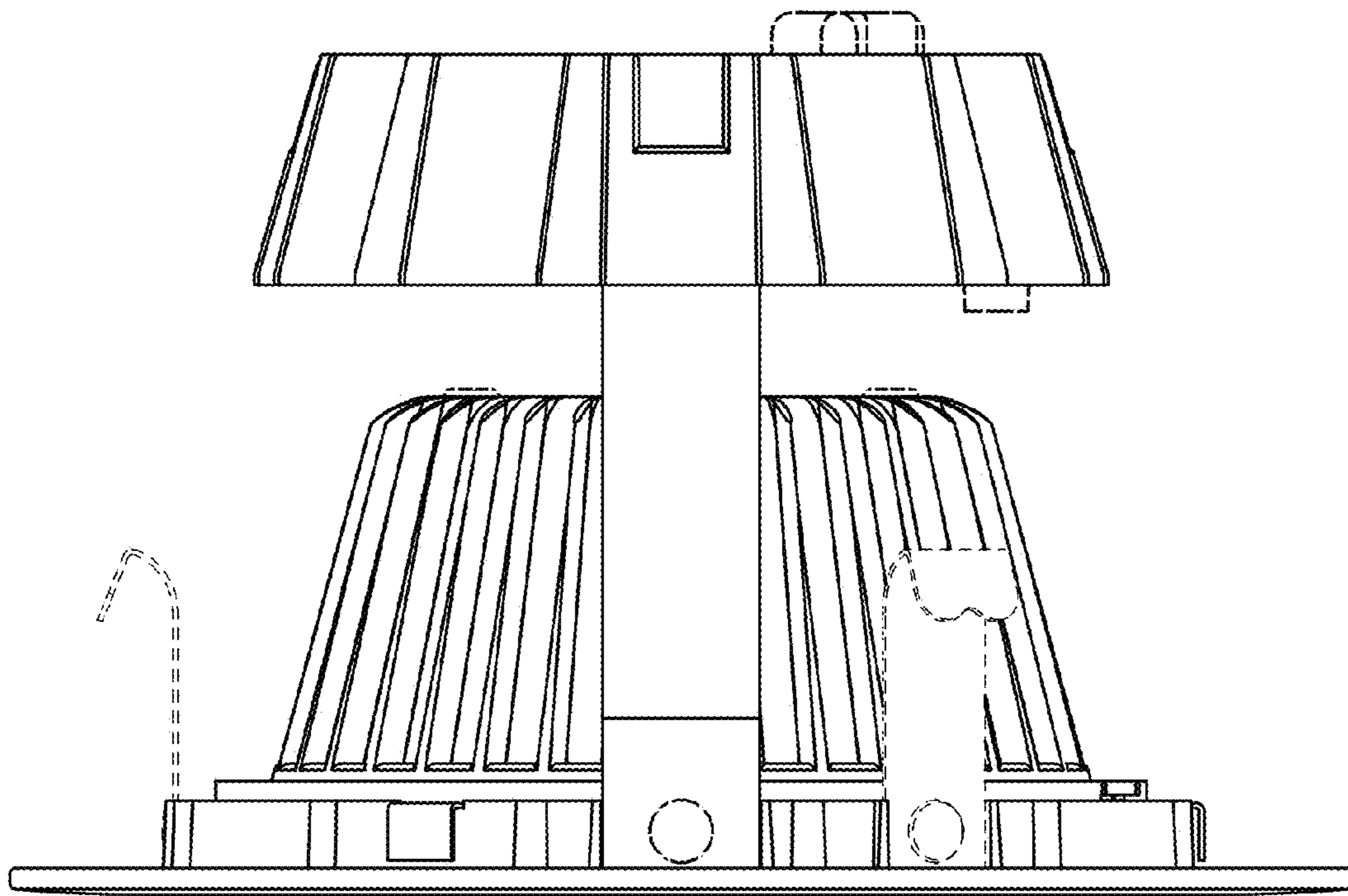


FIG. 10

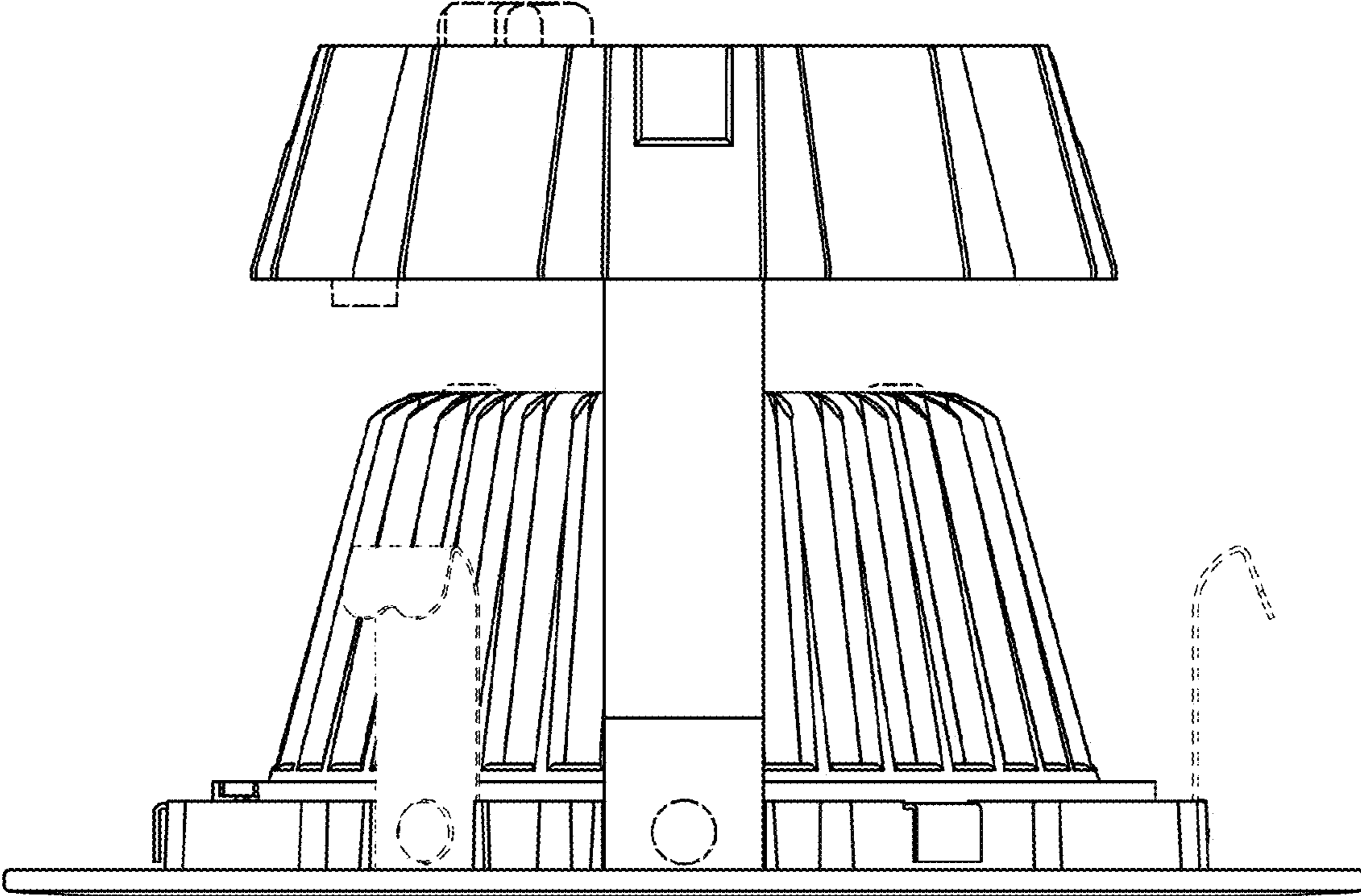


FIG. 11

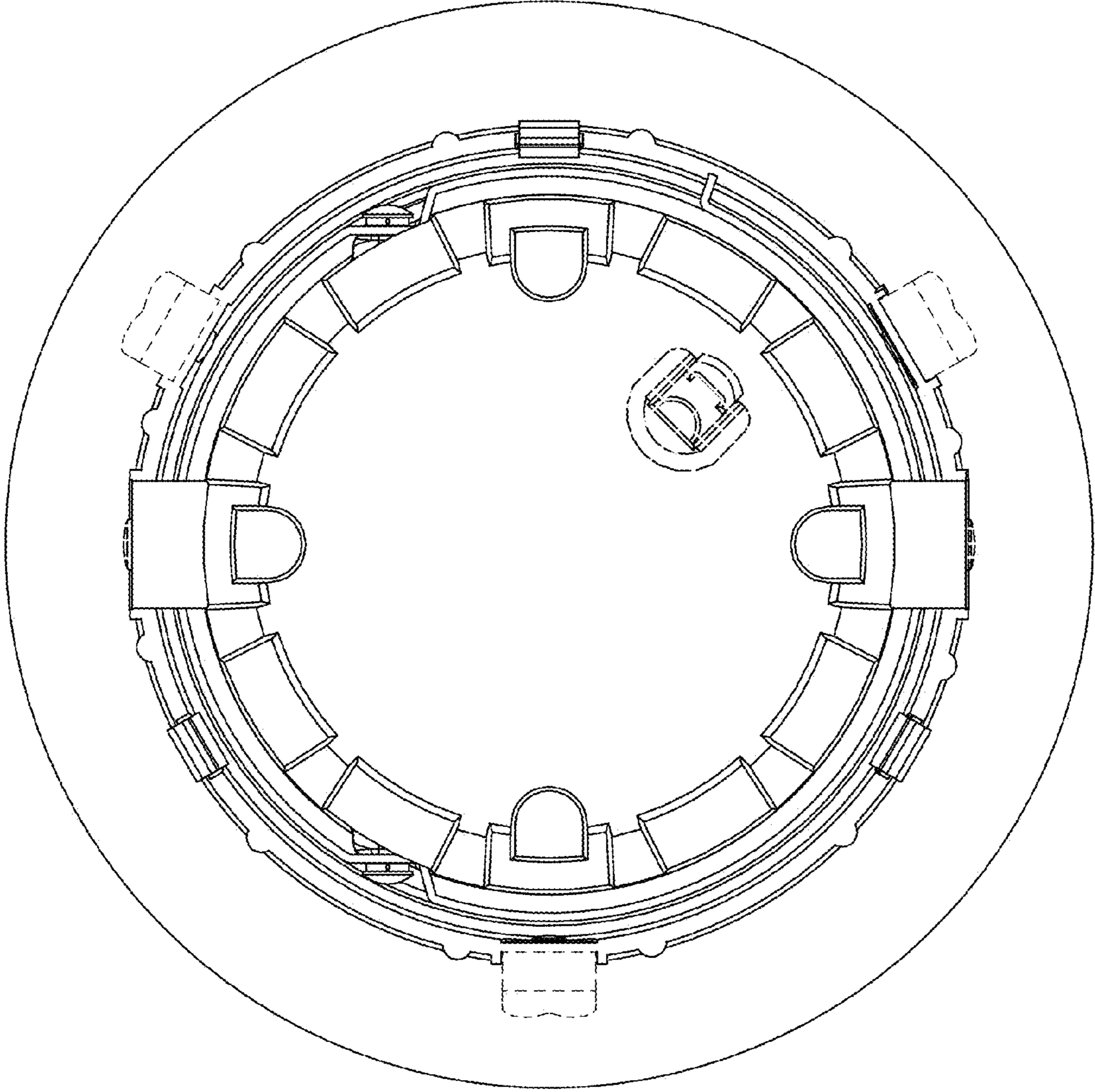


FIG. 12

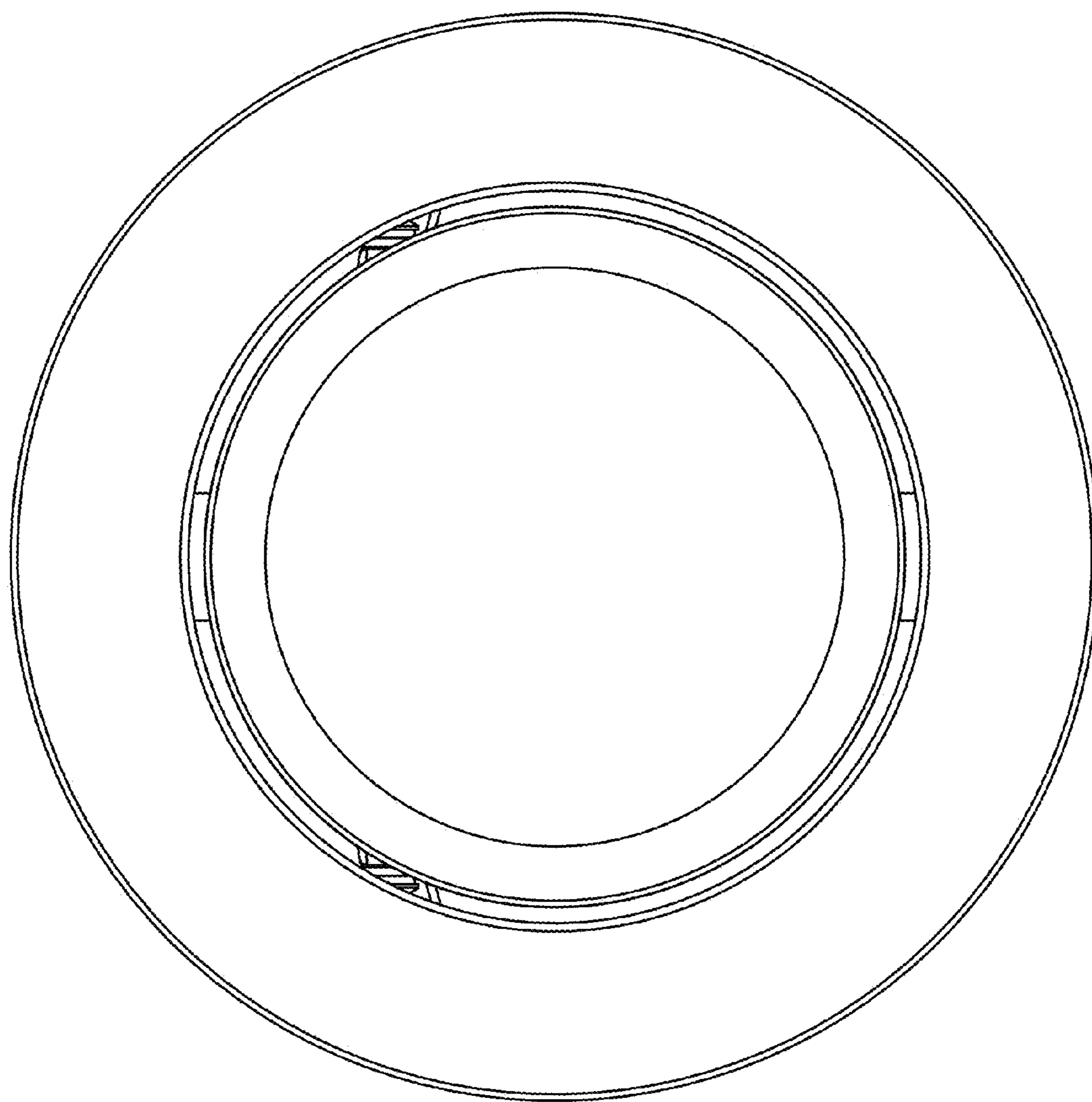


FIG. 13

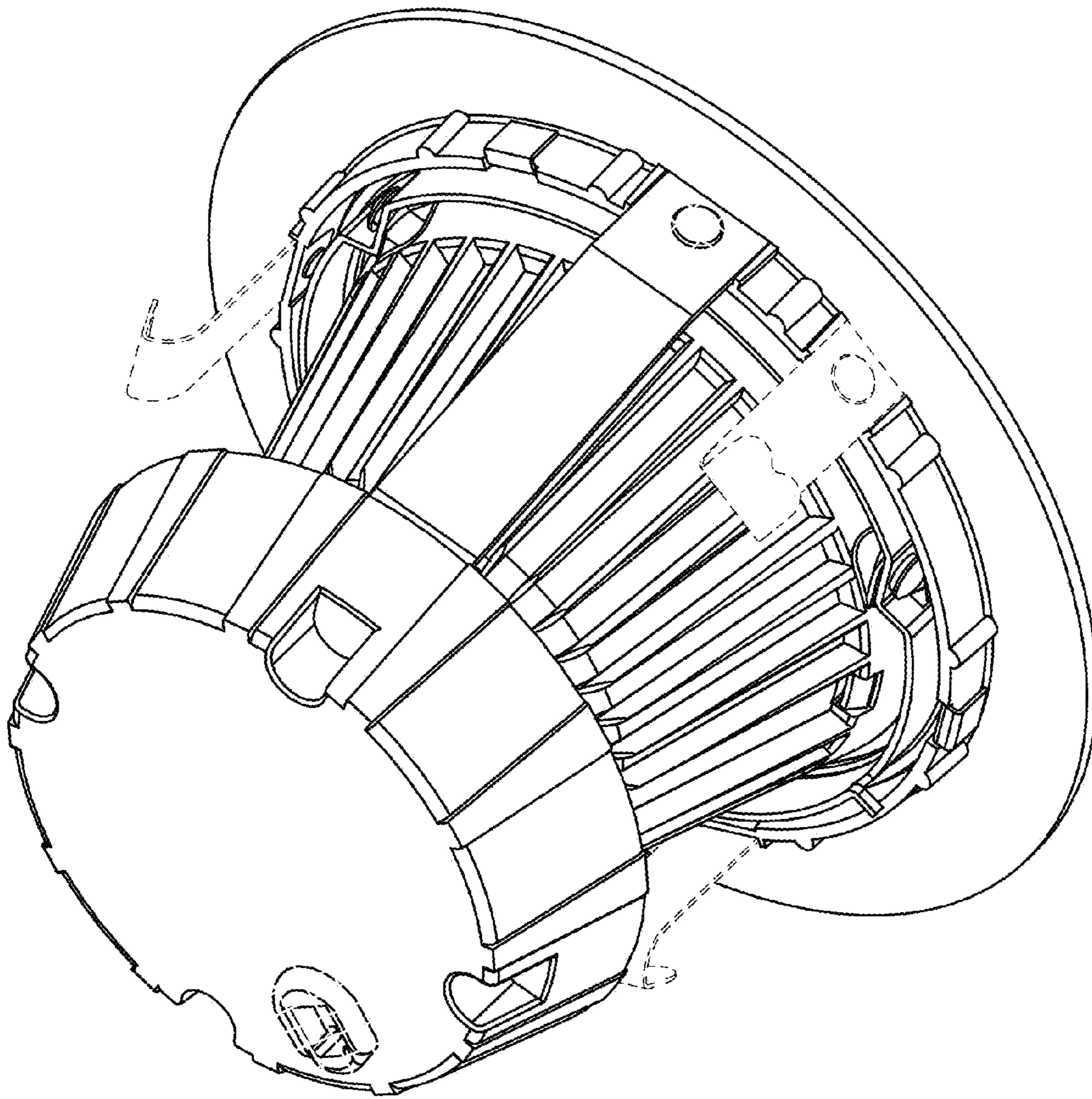


FIG. 14