



US00D723727S

(12) **United States Design Patent**  
**Moeller**

(10) **Patent No.:** **US D723,727 S**  
(45) **Date of Patent:** **\*\* Mar. 3, 2015**

(54) **LED LIGHT**

(71) Applicant: **Steinel GmbH**, Herzebrock (DE)

(72) Inventor: **Thomas Moeller**, Herford (DE)

(73) Assignee: **Steinel GmbH**, Herzebrock (DE)

(\*\*) Term: **14 Years**

(21) Appl. No.: **29/436,417**

(22) Filed: **Nov. 6, 2012**

(51) **LOC (10) Cl.** ..... **26-03**

(52) **U.S. Cl.**  
USPC ..... **D26/63**

(58) **Field of Classification Search**  
CPC ..... F21S 8/02; F21V 14/04; F21V 23/0442;  
F21Y 2101/02  
USPC ..... D26/1, 24, 76-78, 80, 86, 61, 63, 65;  
362/100, 127, 133, 240, 605, 612, 613,  
362/640, 646, 648

See application file for complete search history.

(56) **References Cited**

U.S. PATENT DOCUMENTS

D392,066 S *	3/1998	Morrow et al.	.....	D26/65
D581,080 S *	11/2008	Mier-Langner	.....	D26/63
D625,870 S *	10/2010	Feigenbaum	.....	D26/63
D645,594 S *	9/2011	Grawe	.....	D26/63
D702,865 S *	4/2014	Yuen	.....	D26/63

\* cited by examiner

*Primary Examiner* — Brian N Vinson

(74) *Attorney, Agent, or Firm* — Bachman & LaPointe, PC

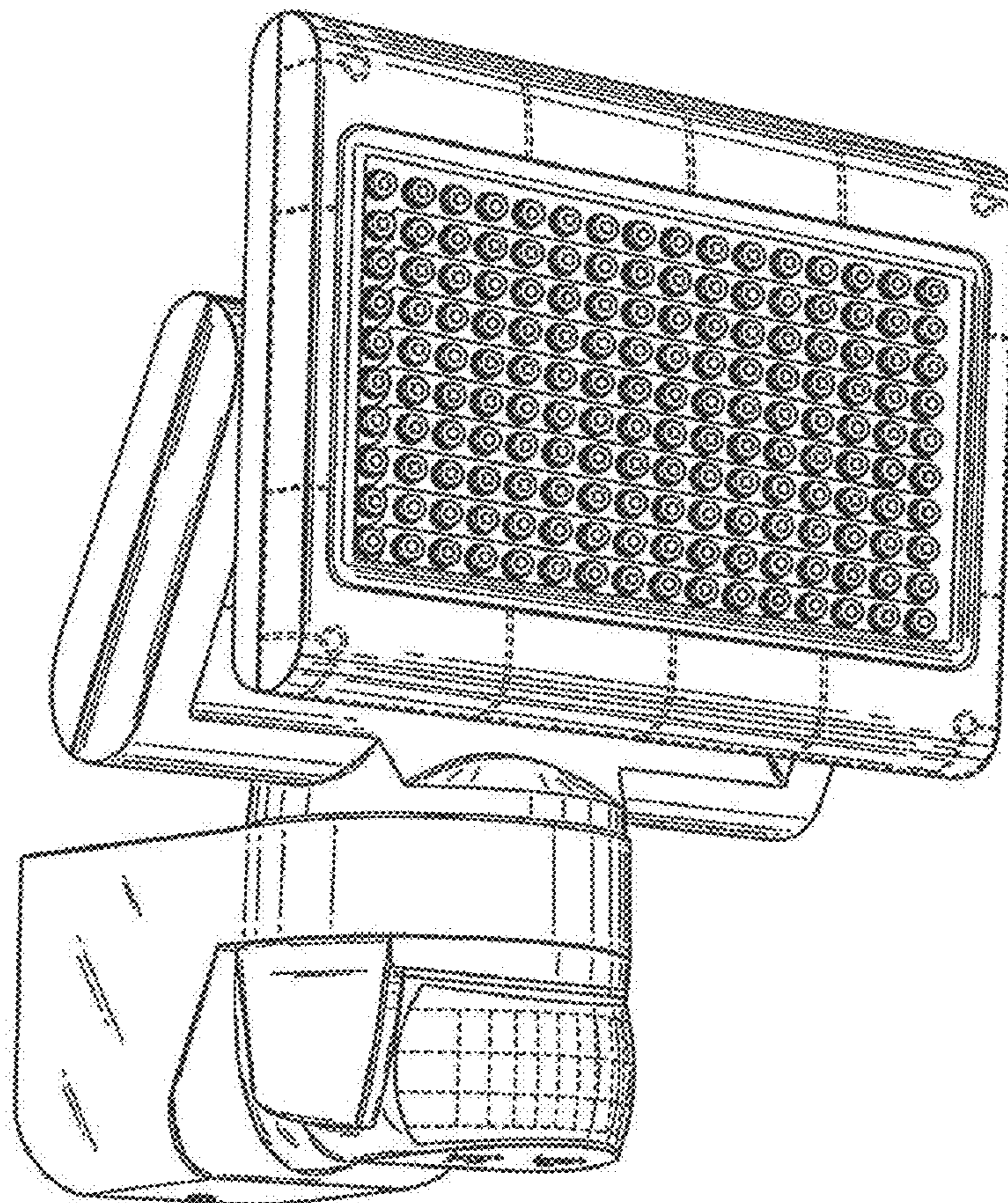
(57) **CLAIM**

The ornamental design for an LED light, as shown and described.

**DESCRIPTION**

FIG. 1 is a perspective view of an LED light showing my new design;  
FIG. 2 is a front view thereof;  
FIG. 3 is a rear view thereof;  
FIG. 4 is a left side view thereof;  
FIG. 5 is a right side view thereof; and,  
FIG. 6 is a bottom plan view thereof.  
The broken-line disclosure is understood to represent portions of the light which form no part of the claimed design.

**1 Claim, 6 Drawing Sheets**



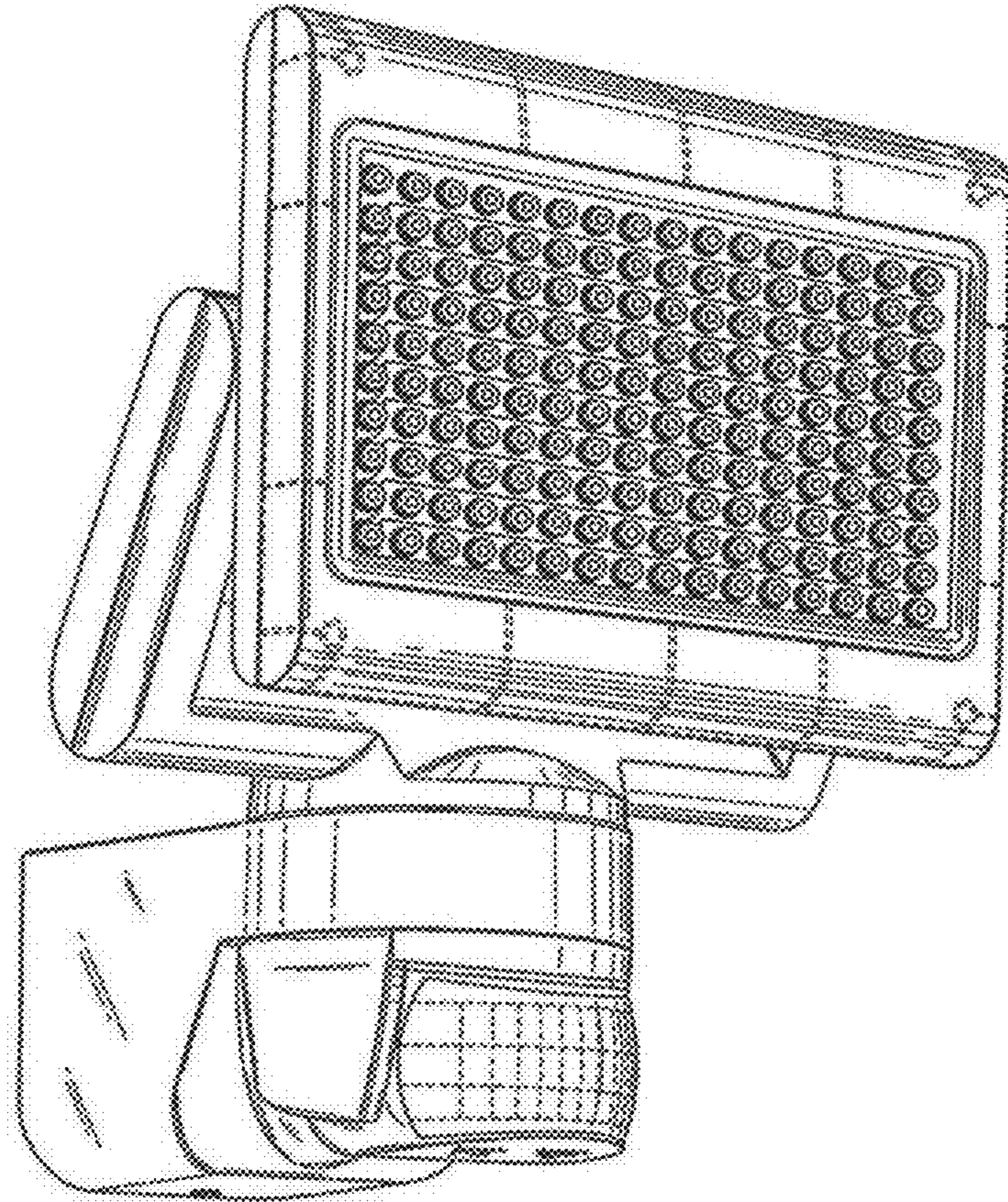


FIG. 1

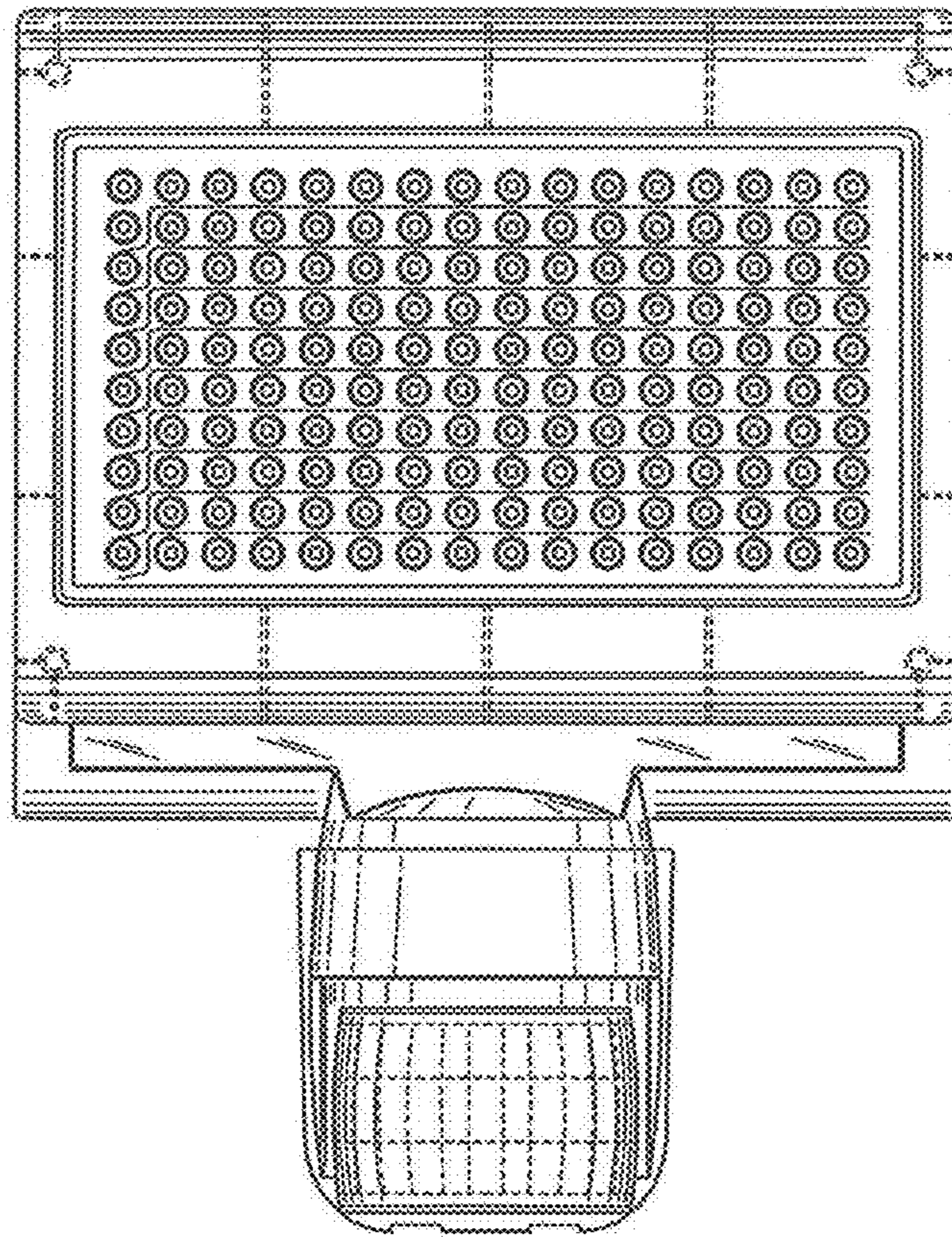


FIG. 2

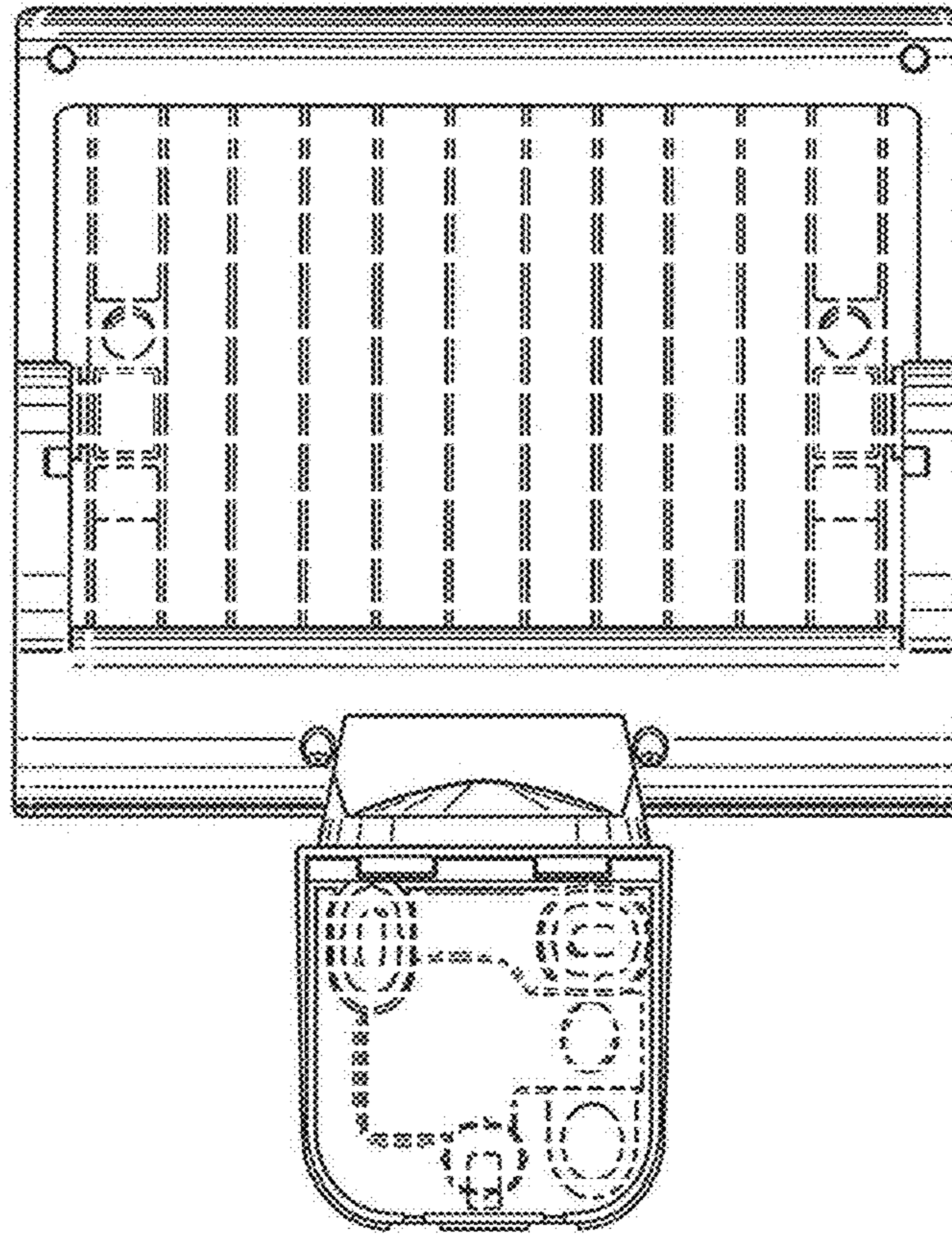


FIG. 3

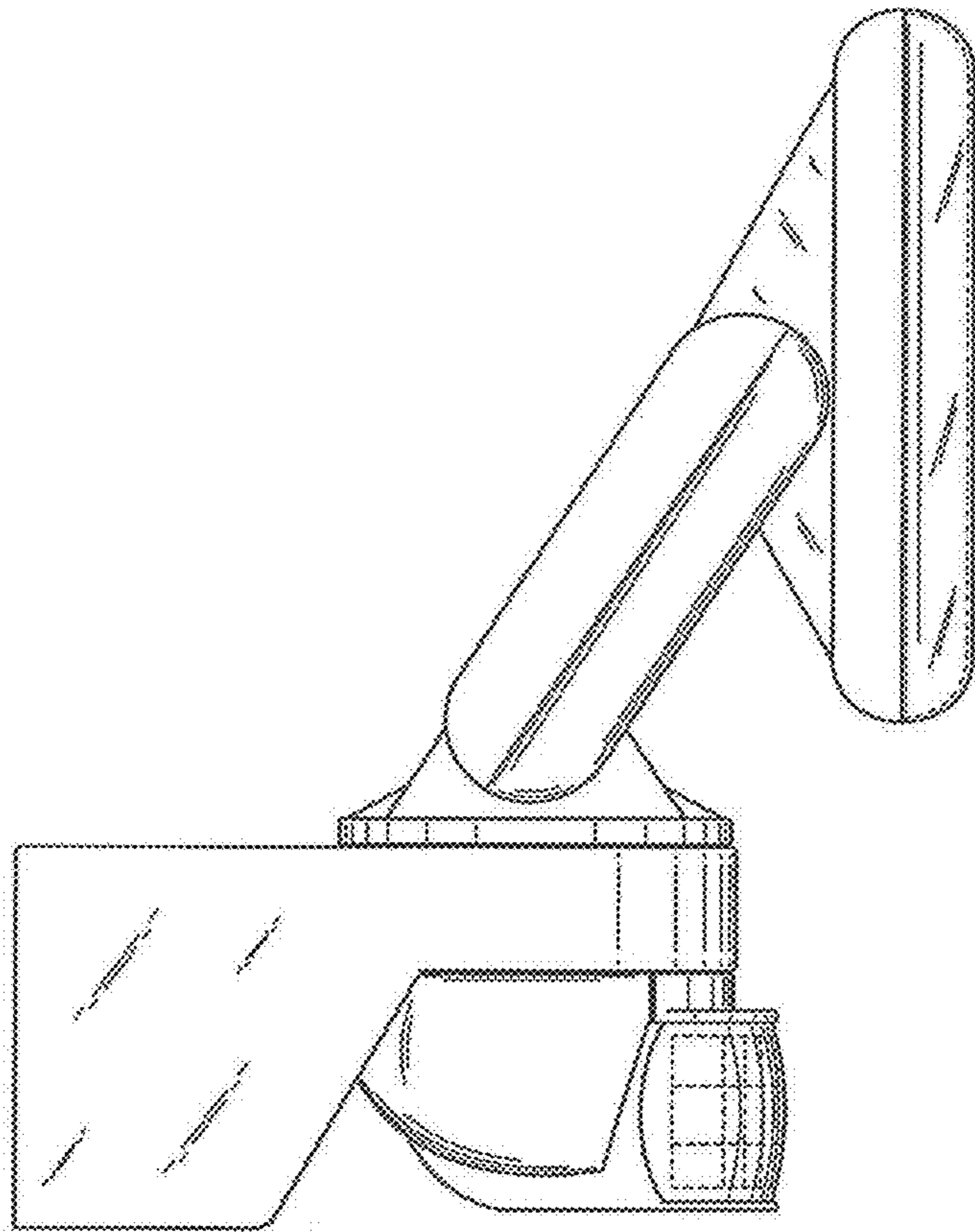


FIG. 4

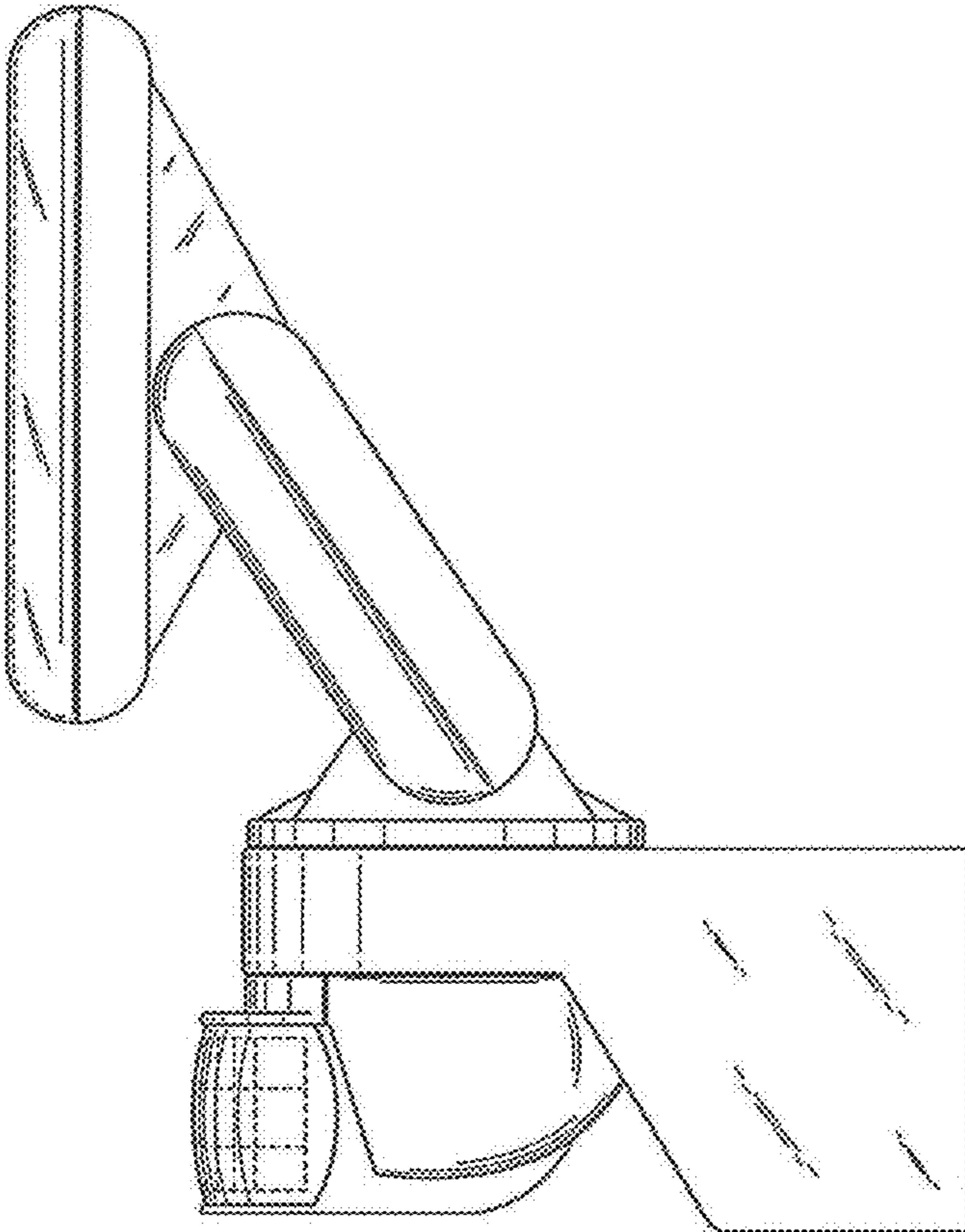


FIG. 5

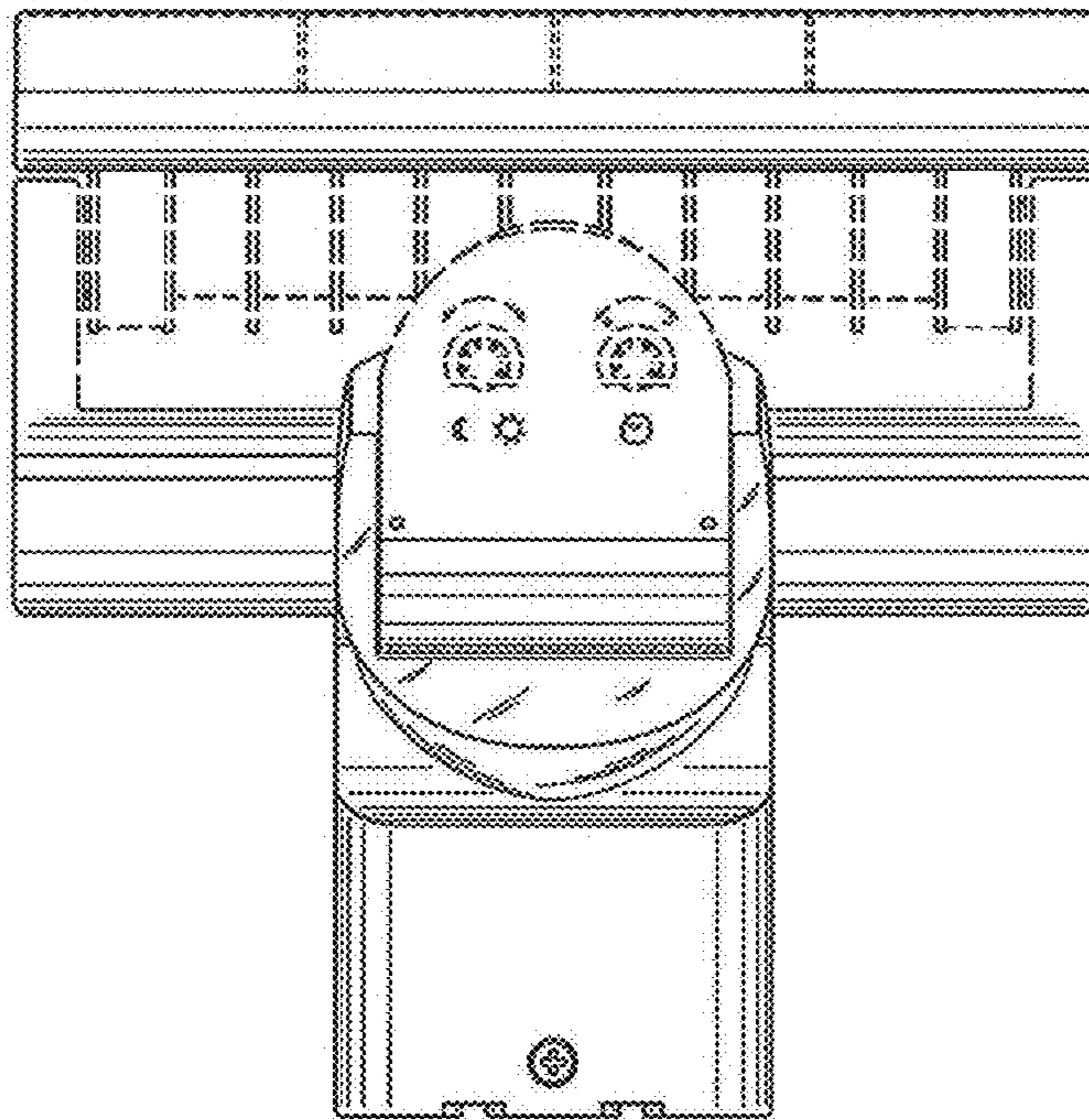


FIG. 6