



US00D723726S

(12) **United States Design Patent**
Reed et al.

(10) **Patent No.:** **US D723,726 S**
(45) **Date of Patent:** **** Mar. 3, 2015**

(54) **UNIVERSAL SWIVEL LIGHT FIXTURE**

D495,079 S * 8/2004 Mullen D26/63
D507,668 S * 7/2005 Kwong D26/63
6,981,679 B1 1/2006 Mullen
D519,662 S * 4/2006 Mullen D26/61
D667,981 S * 9/2012 Connolly et al. D26/63

(71) Applicant: **Universal Lighting Systems**, San Marcos, CA (US)

(72) Inventors: **Ken Reed**, San Marcos, CA (US); **Tom Barr**, San Marcos, CA (US); **Craig Barr**, San Marcos, CA (US)

* cited by examiner

Primary Examiner — Brian N Vinson

(73) Assignee: **Universal Lighting Systems**, San Marcos, CA (US)

(74) *Attorney, Agent, or Firm* — San Diego IP Law Group LLP

(**) Term: **14 Years**

(57) **CLAIM**

We claim the ornamental design for a universal swivel light fixture, as shown and described.

(21) Appl. No.: **29/433,751**

(22) Filed: **Oct. 4, 2012**

DESCRIPTION

(51) **LOC (10) Cl.** **26-03**

(52) **U.S. Cl.**
USPC **D26/63**

(58) **Field of Classification Search**
CPC F21V 21/14; F21V 15/01; F21V 14/02;
F21V 21/30; F21V 14/00; F21Y 2105/001;
F21S 8/00
USPC D26/24, 60–66, 72, 85, 92, 113, 118,
D26/119; 362/287, 427, 269, 370–371, 382,
362/523

FIG. 1 is front view of the universal swivel light fixture according to an embodiment of the invention;
FIG. 2 is back view of the universal swivel light fixture as shown in FIG. 1;
FIG. 3 is a left side view of the universal swivel light fixture as shown in FIG. 1;
FIG. 4 is a right side view of the universal swivel light fixture as shown in FIG. 1;
FIG. 5 is a bottom view of the universal swivel light fixture as shown in FIG. 1;
FIG. 6 is a top view of the universal swivel light fixture as shown in FIG. 1; and,
FIG. 7 is a perspective view of the universal swivel light fixture as shown in FIG. 1.

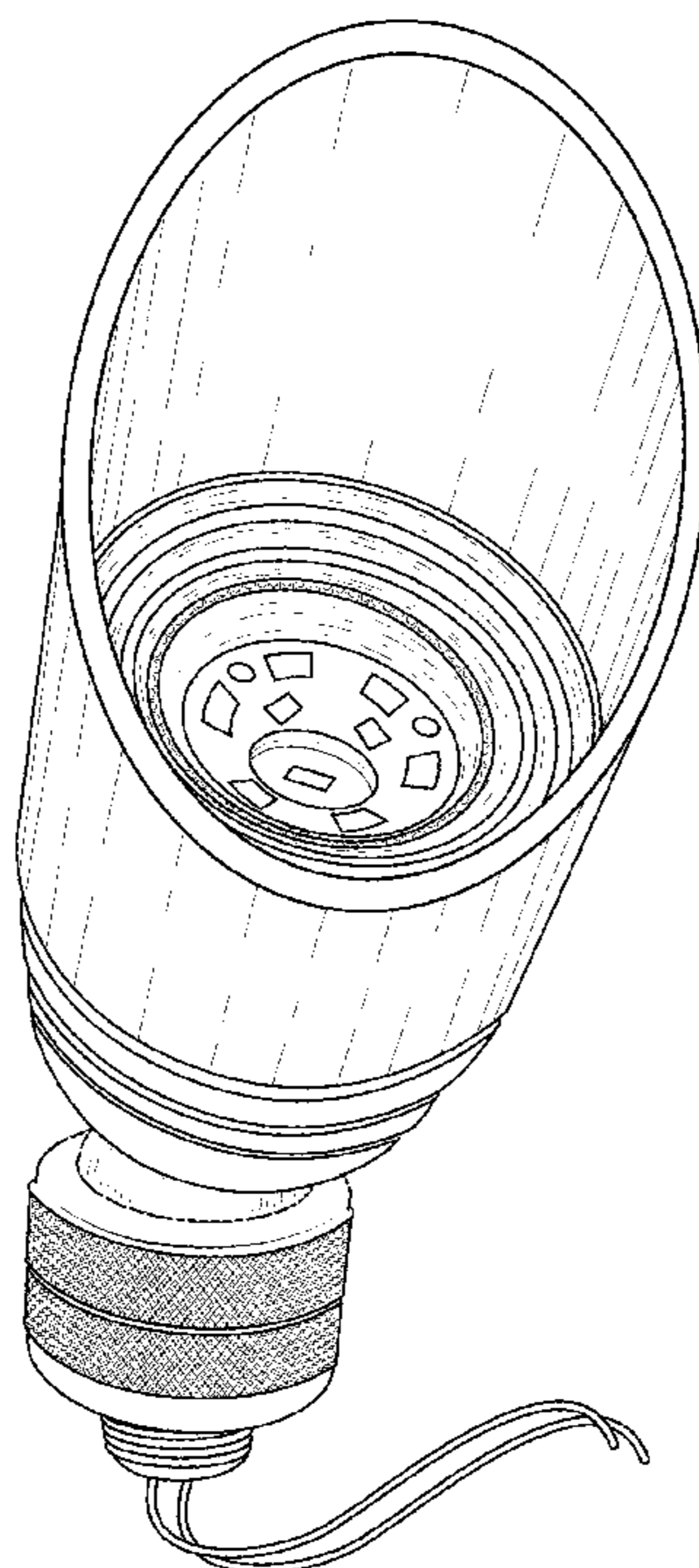
See application file for complete search history.

(56) **References Cited**

U.S. PATENT DOCUMENTS

D414,579 S * 9/1999 Denison et al. D26/68
D473,669 S * 4/2003 Hille et al. D26/63

1 Claim, 7 Drawing Sheets



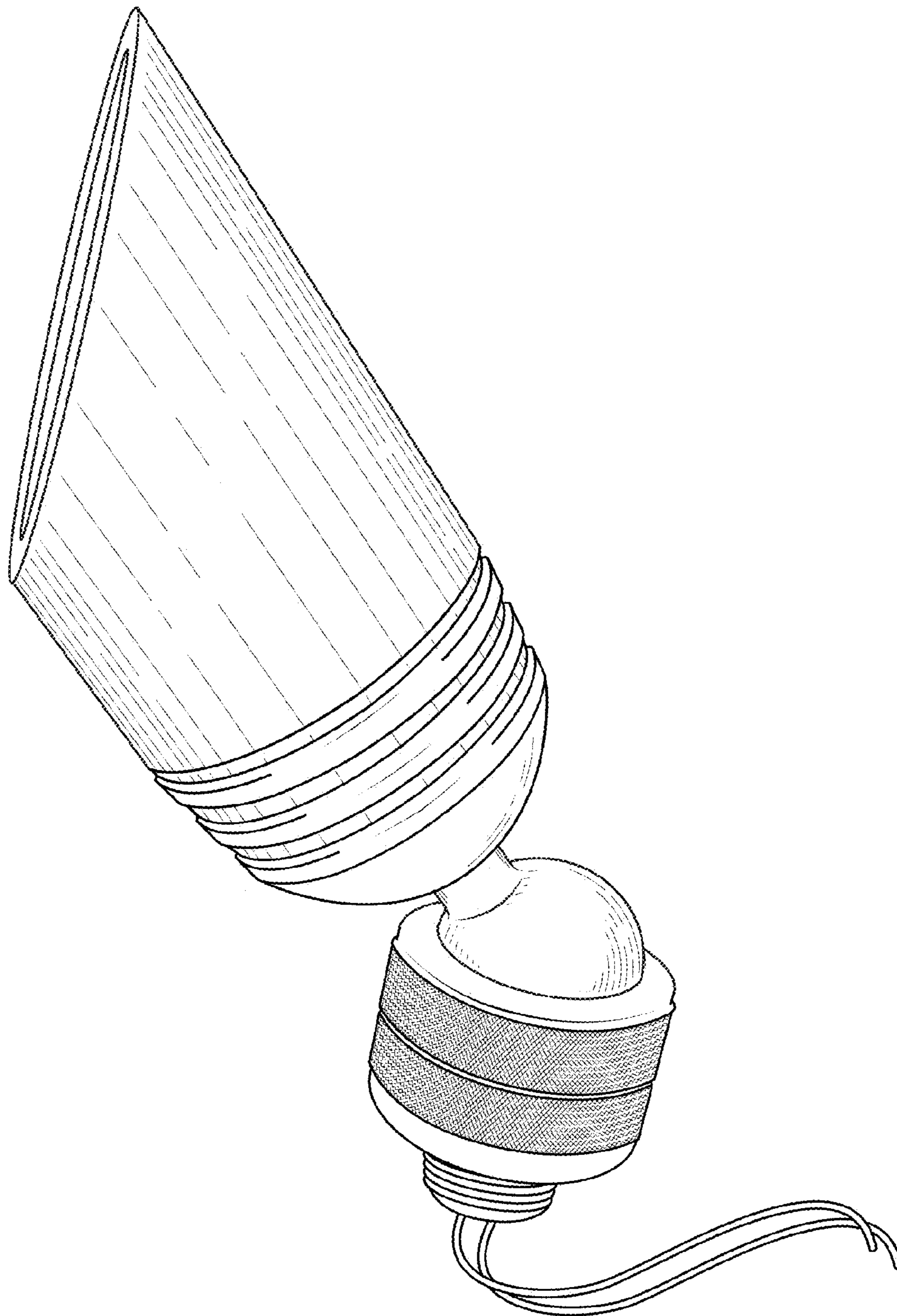


FIG. 1

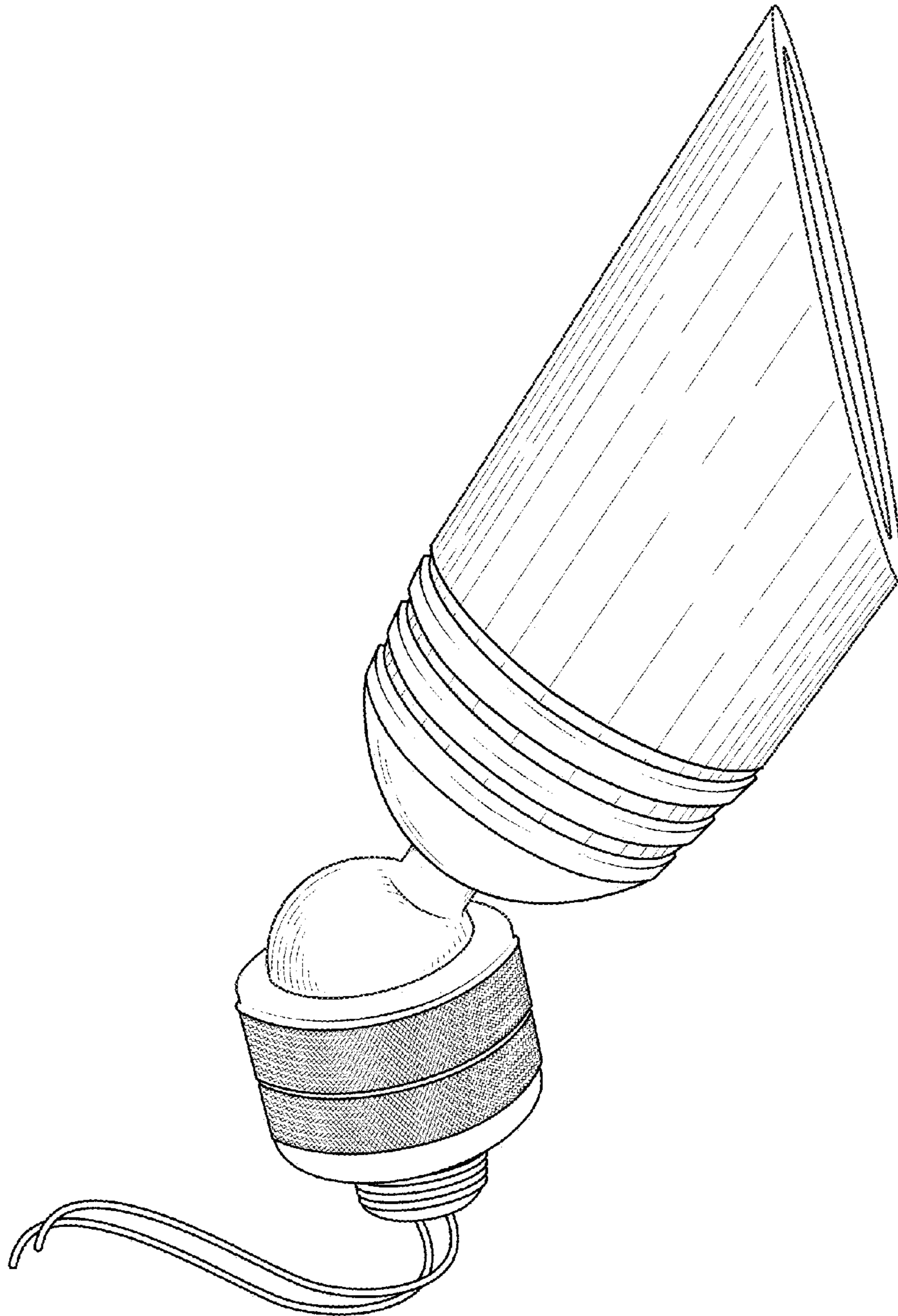


FIG. 2

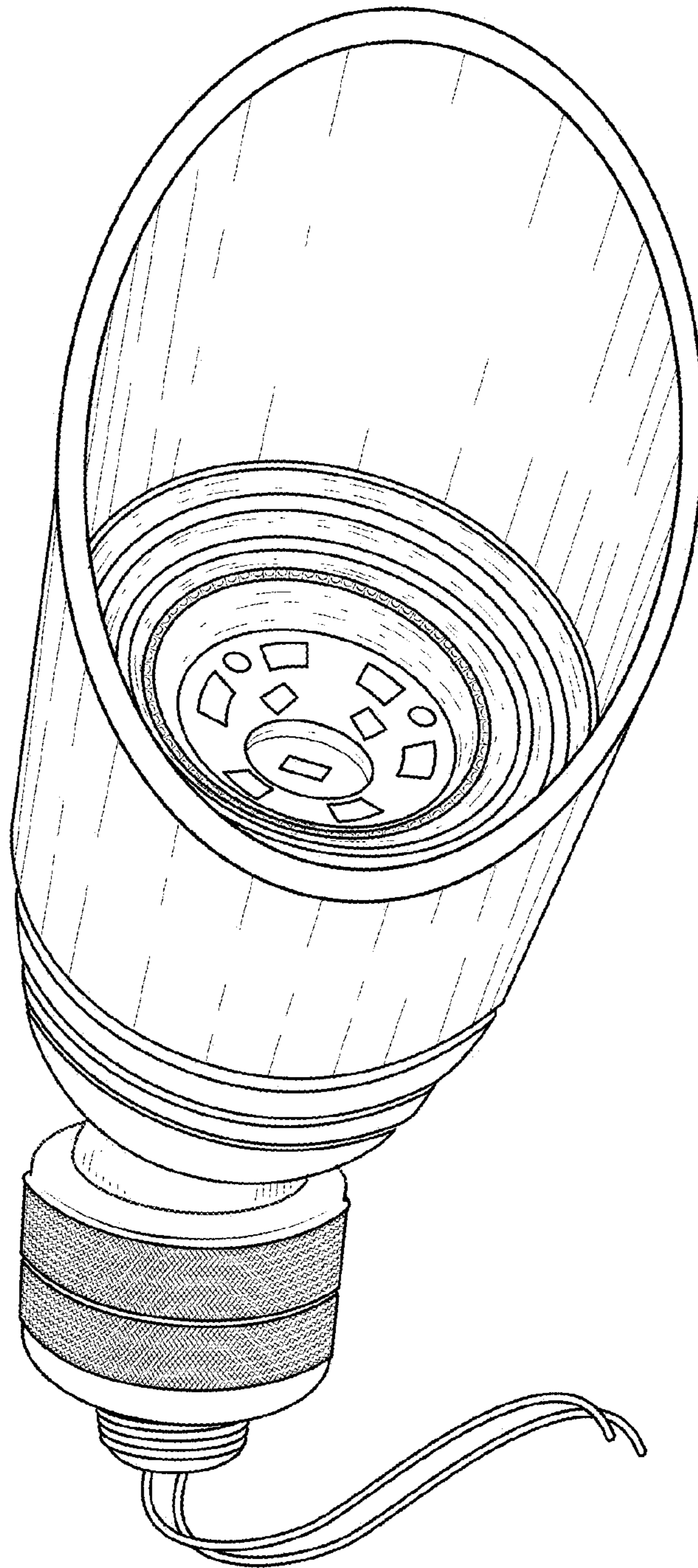


FIG. 3

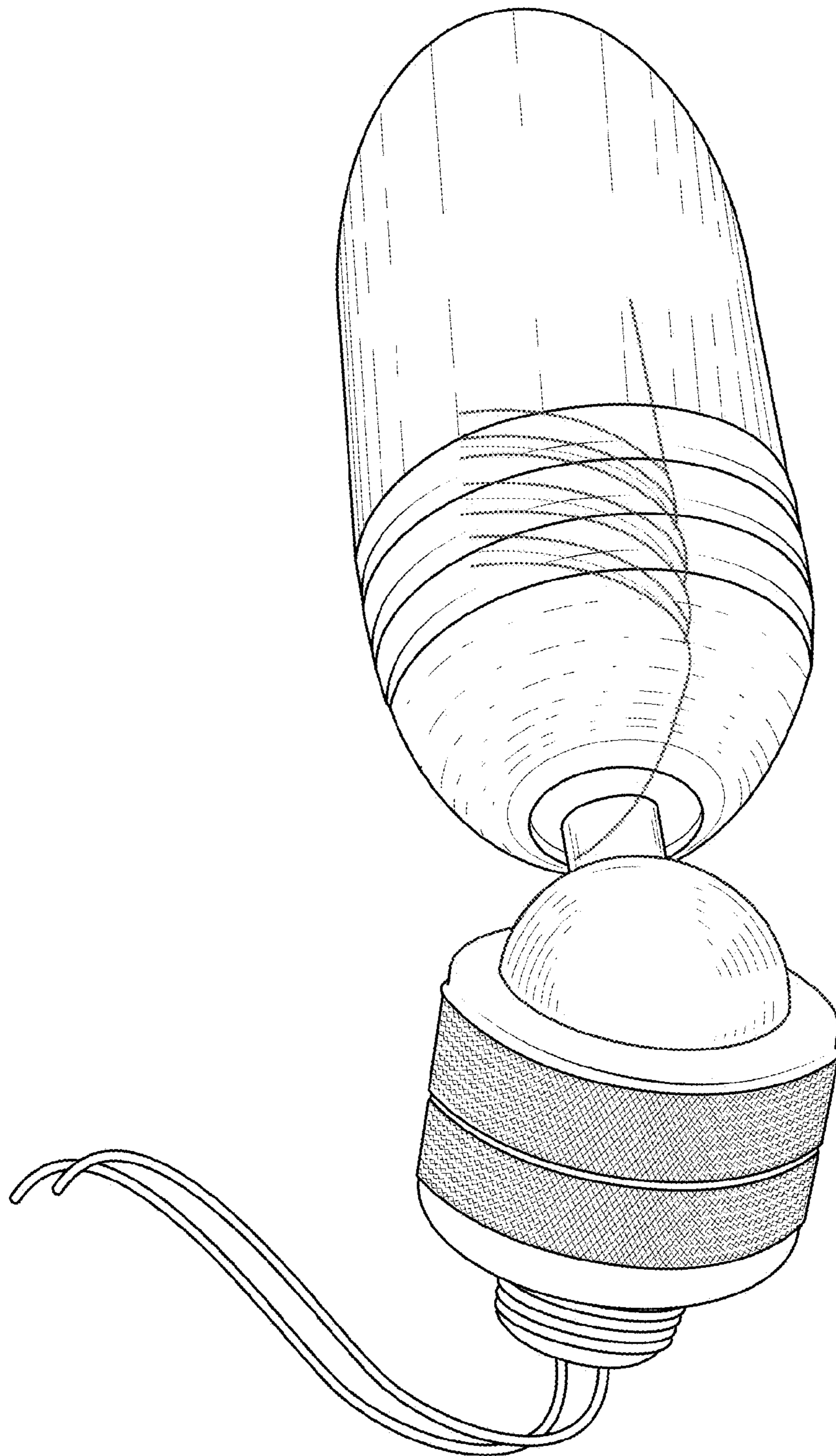


FIG. 4

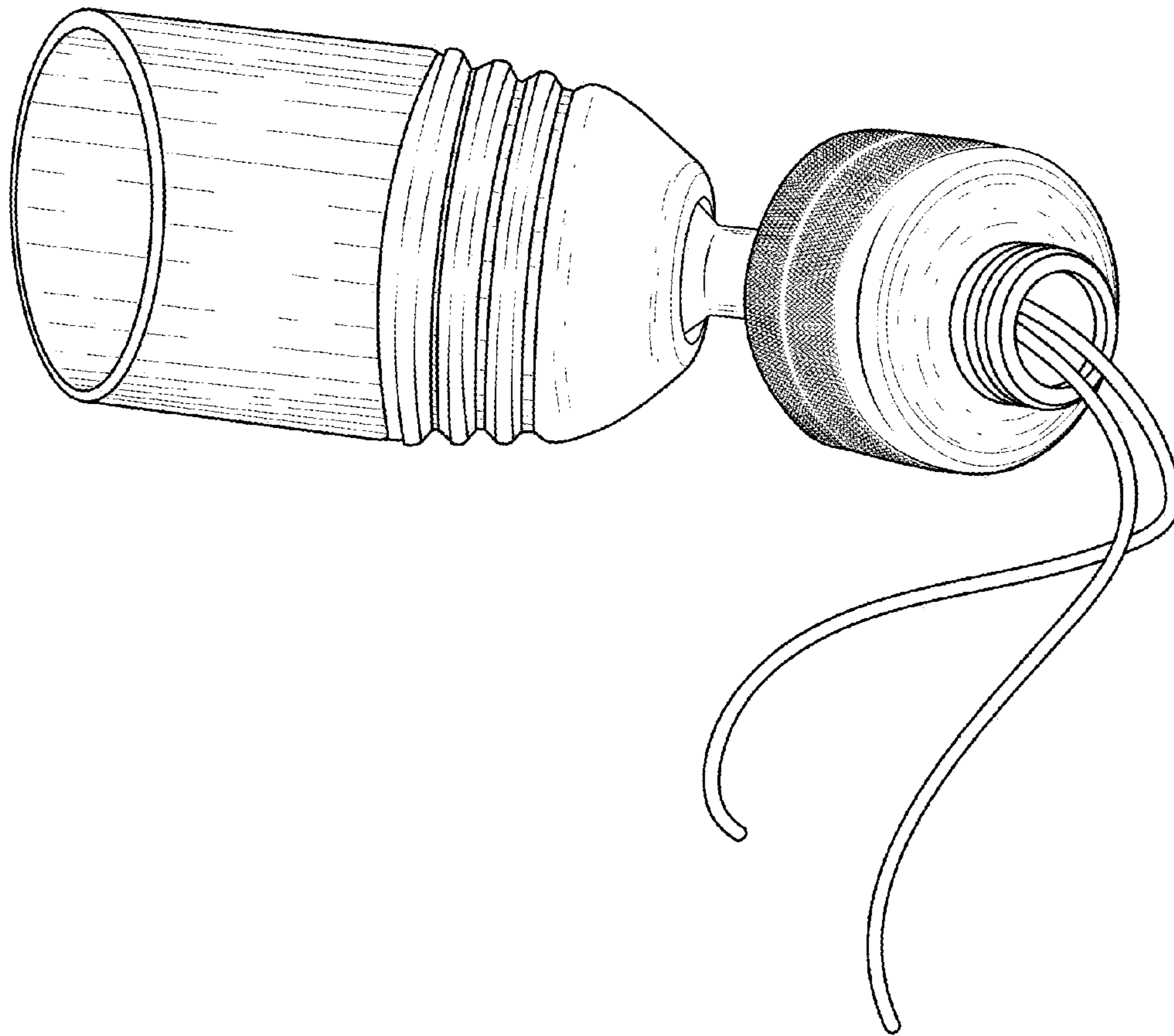


FIG. 5

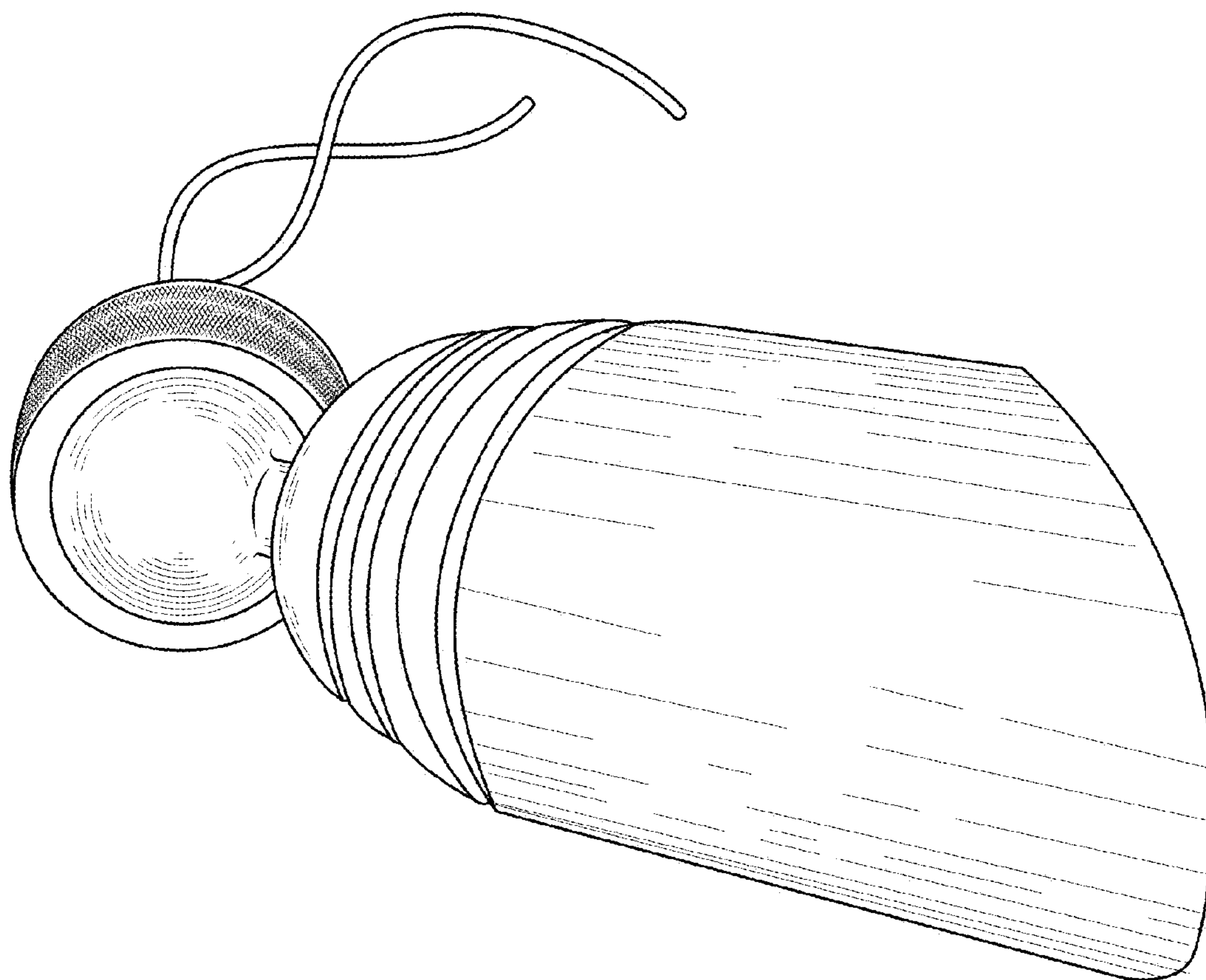


FIG. 6

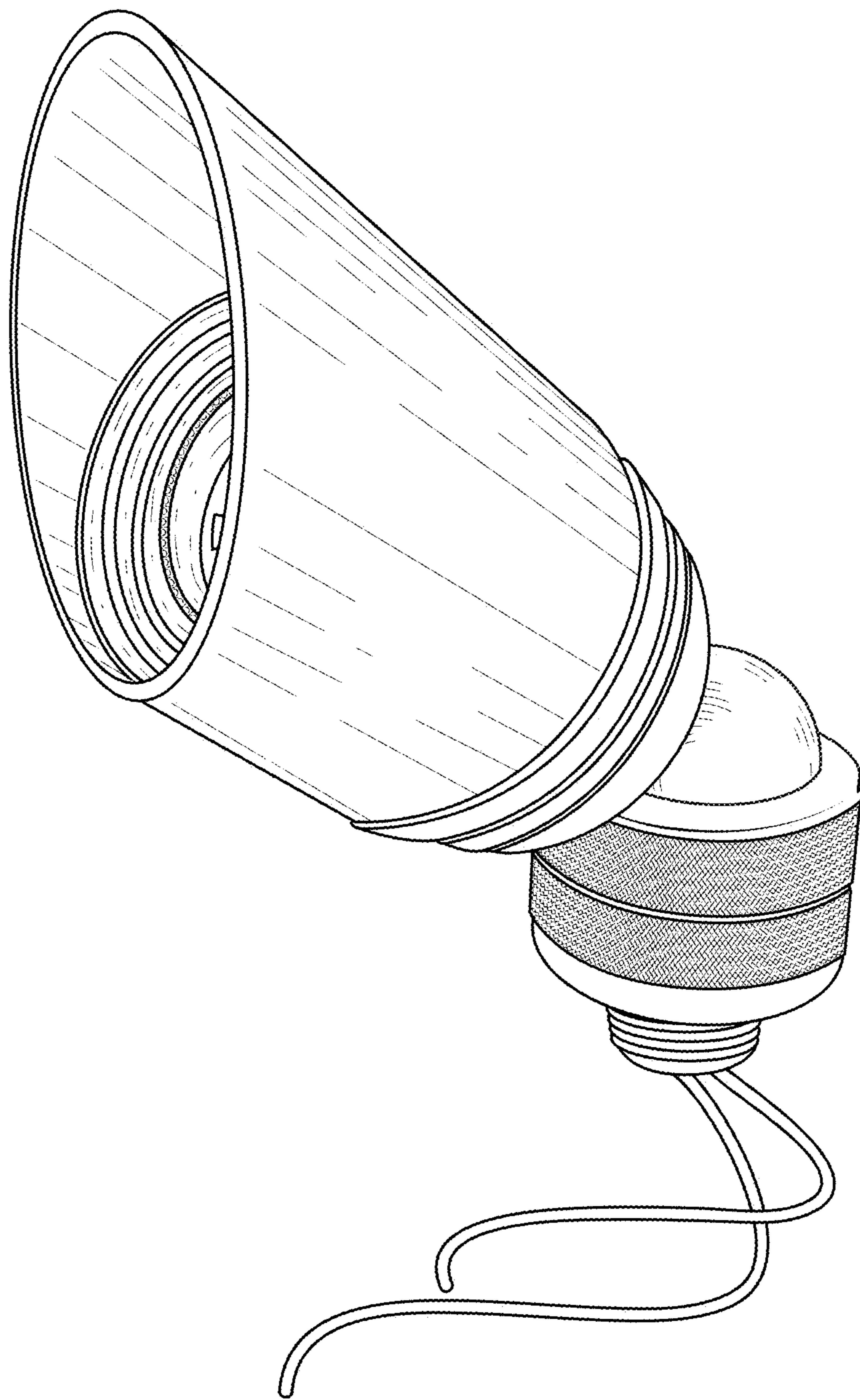


FIG. 7