



US00D723725S

(12) **United States Design Patent**
Asano et al.

(10) **Patent No.:** **US D723,725 S**
(45) **Date of Patent:** **** Mar. 3, 2015**

(54) **CAMERA LIGHT**

(75) Inventors: **Hideaki Asano**, Chiba (JP); **Akio Shindate**, London (GB)

(73) Assignee: **Nikon Corporation**, Tokyo (JP)

(**) Term: **14 Years**

(21) Appl. No.: **29/415,356**

(22) Filed: **Mar. 9, 2012**

(30) **Foreign Application Priority Data**

Sep. 15, 2011 (JP) 2011-021153

(51) **LOC (10) Cl.** **26-05**

(52) **U.S. Cl.**
USPC **D26/51**

(58) **Field of Classification Search**
USPC D26/37, 38, 44, 45, 46, 48, 49, 51, 52;
362/157, 158, 183, 184, 194-196,
362/200-208, 253, 3; D16/208, 219, 235
See application file for complete search history.

(56) **References Cited**

U.S. PATENT DOCUMENTS

D136,756 S *	11/1943	Barash	D26/37
D154,627 S *	7/1949	Peterlin et al.	D26/38
D362,735 S *	9/1995	Hiromori	D26/37
D420,156 S *	2/2000	Poon	D26/38
D427,346 S *	6/2000	Schoen	D26/45
D427,697 S *	7/2000	Brazell et al.	D26/42
D445,925 S *	7/2001	Parker	D26/37
D527,130 S *	8/2006	Garrity et al.	D26/45

D605,795 S *	12/2009	Baker et al.	D26/44
D623,323 S *	9/2010	Kung	D26/45
8,142,045 B2 *	3/2012	Peak	362/191
D693,042 S *	11/2013	Wu	D26/49
D706,476 S *	6/2014	Lee	D26/49

* cited by examiner

Primary Examiner — Ian Simmons

Assistant Examiner — Carissa C Fitts

(74) *Attorney, Agent, or Firm* — Wolf, Greenfield & Sacks, P.C.; Randy J. Pritzker

(57) **CLAIM**

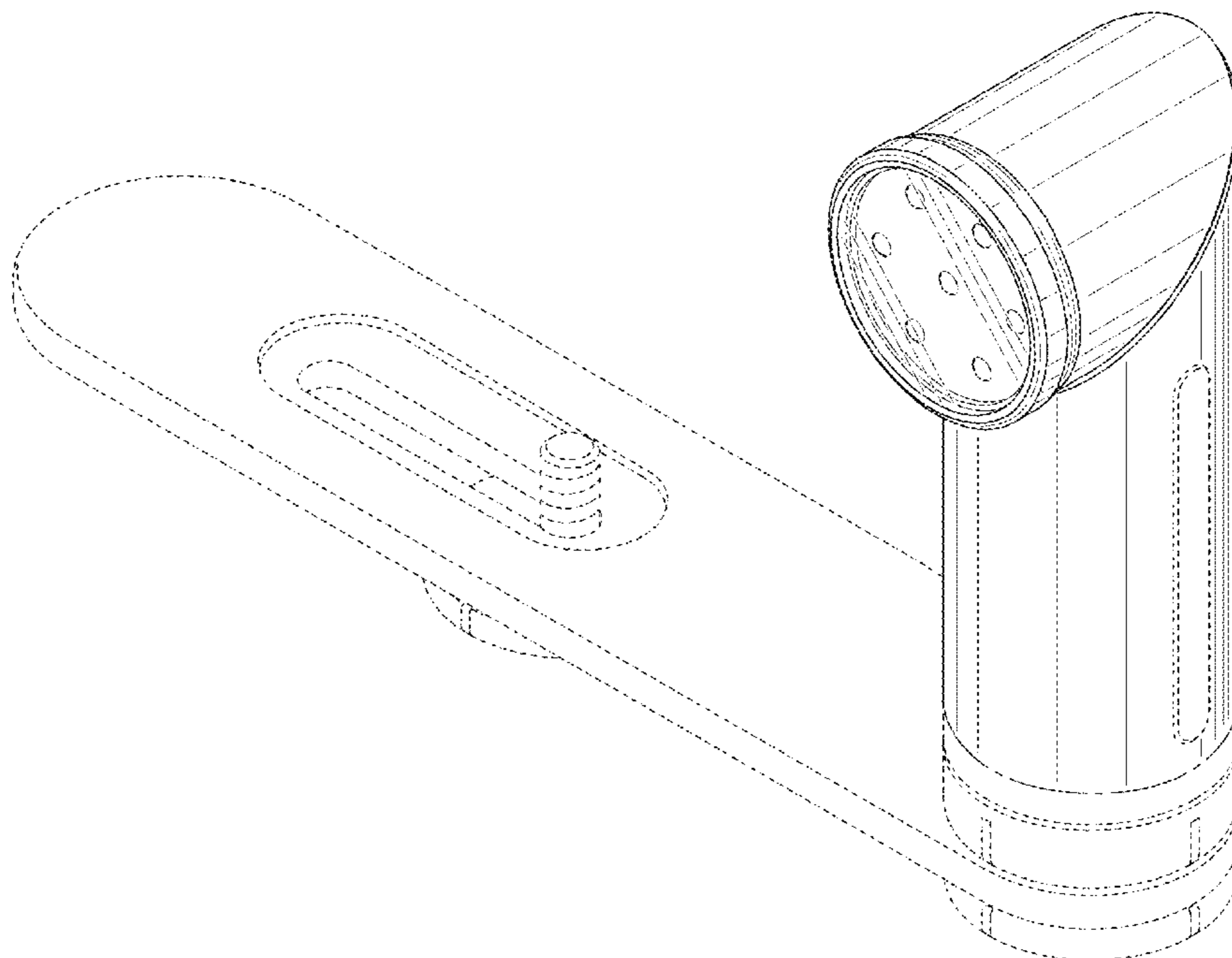
The ornamental design for a camera light, as shown and described.

DESCRIPTION

FIG. 1 is a front perspective view of a camera light showing our new design;
FIG. 2 is a rear perspective view thereof;
FIG. 3 is a front view thereof;
FIG. 4 is a rear view thereof;
FIG. 5 is a top plan view thereof;
FIG. 6 is a bottom plan view thereof;
FIG. 7 is a right side view thereof;
FIG. 8 is a left side view thereof; and,
FIG. 9 is a front perspective view thereof, shown attached to a camera.

The features shown in broken lines in the drawings depict environmental subject matter only and form no part of the claimed design. The dash-dotted lines denote the boundary of the claim and form no part of the claimed design.

1 Claim, 7 Drawing Sheets



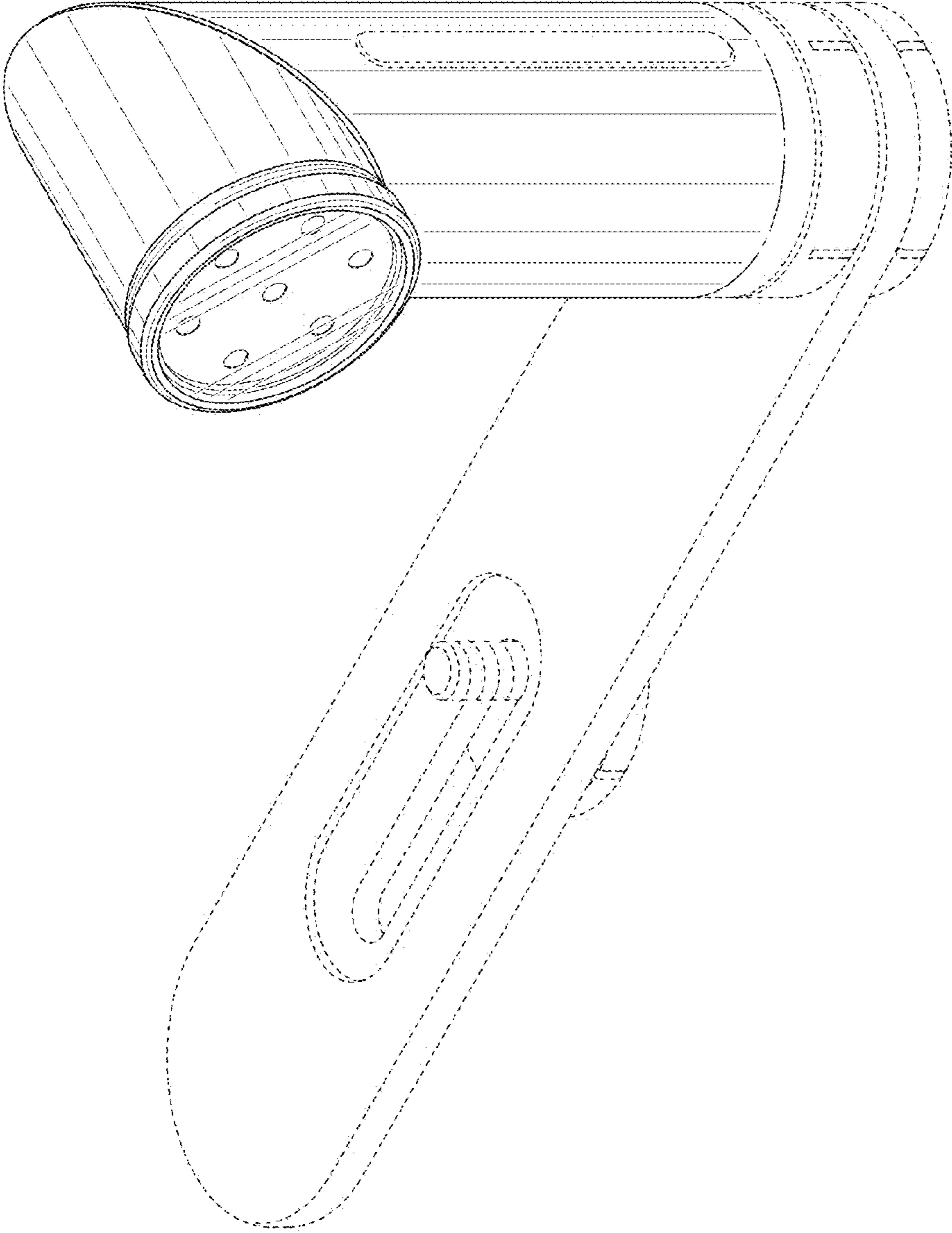
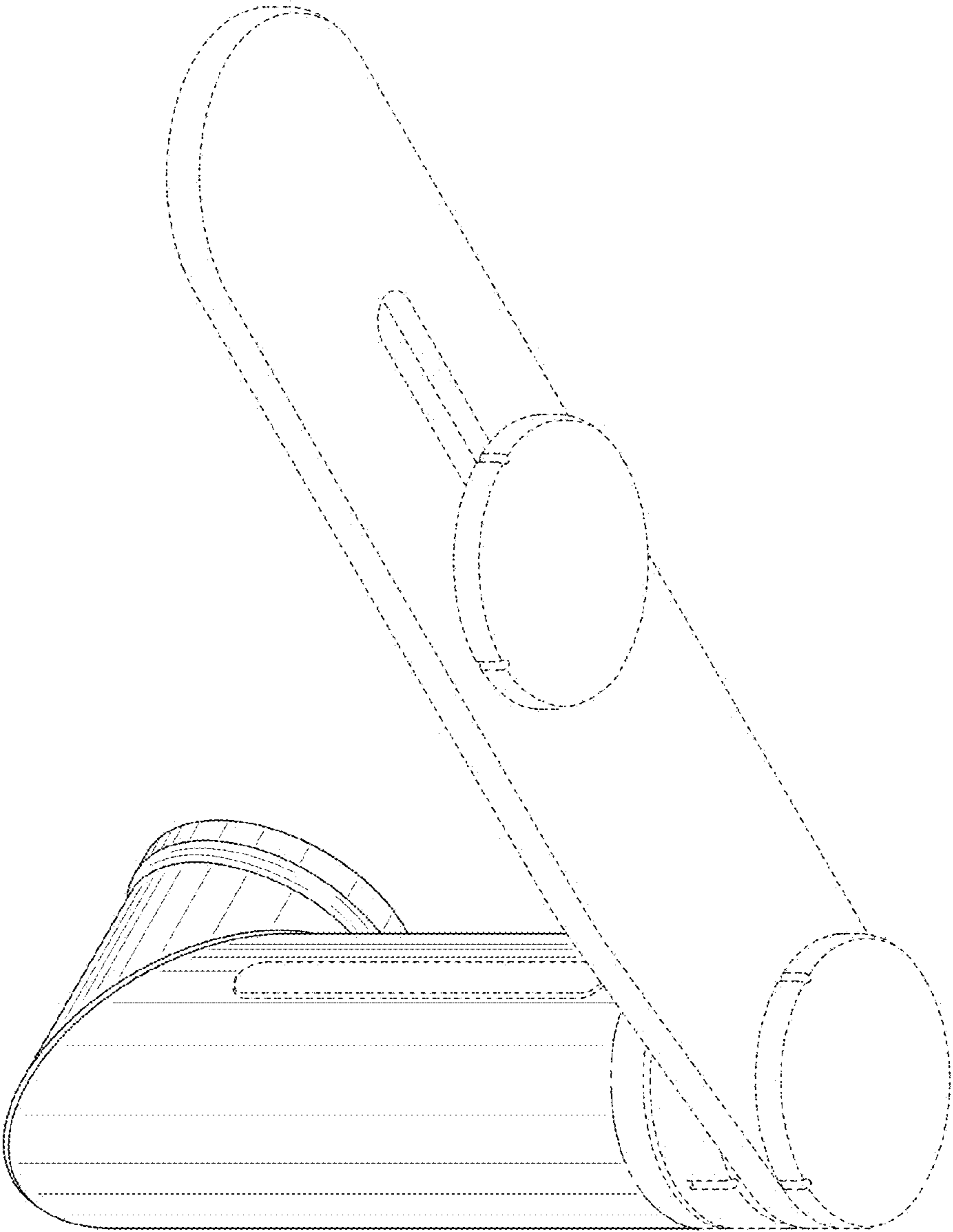


FIG. 1

FIG. 2



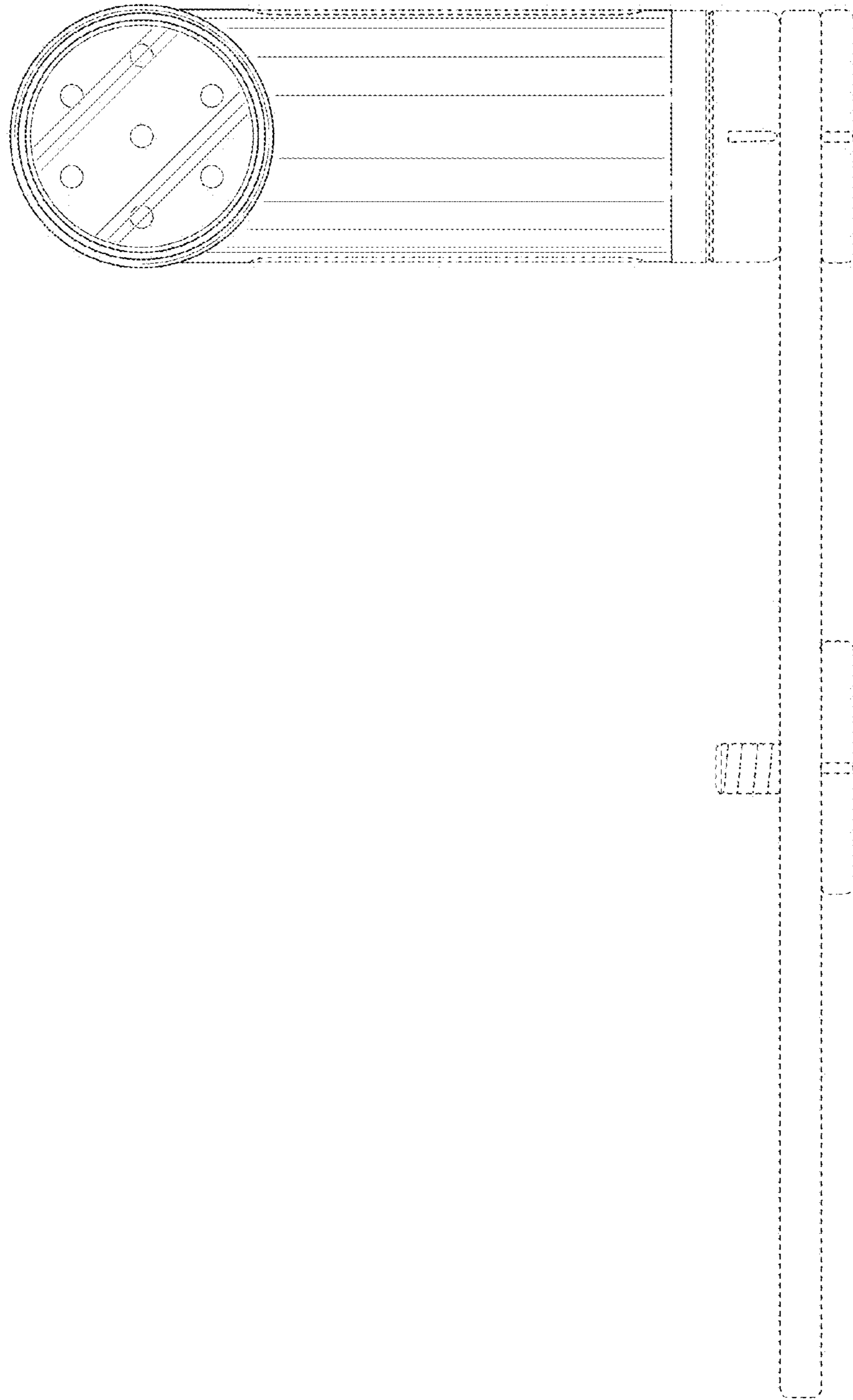


FIG. 3

FIG. 4

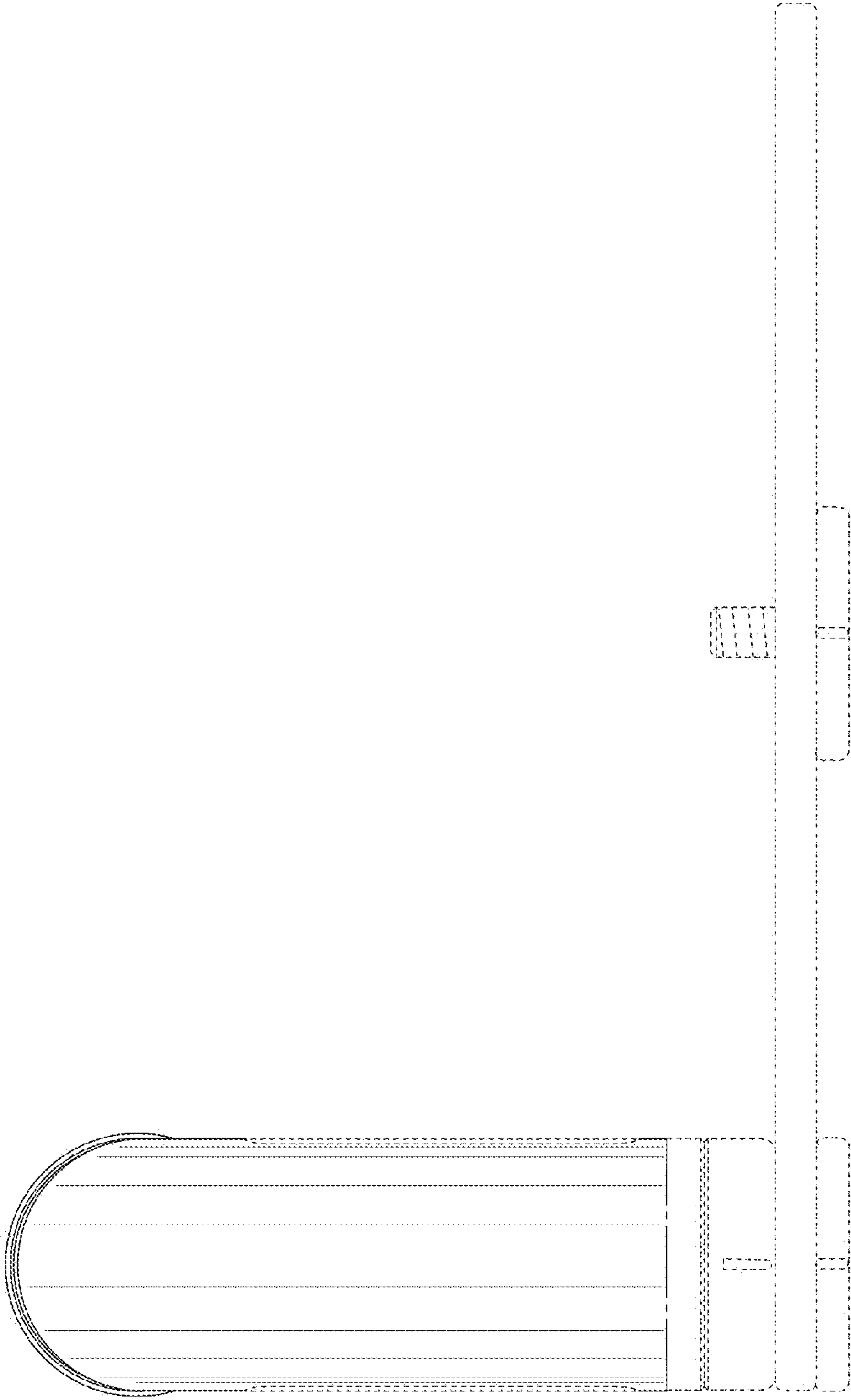


FIG. 5

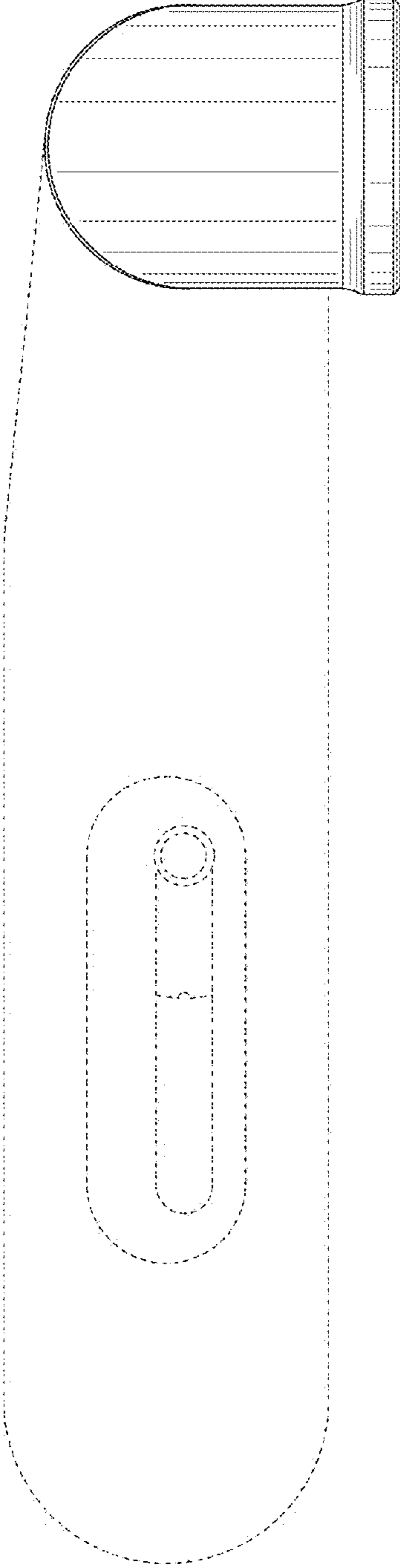


FIG. 6

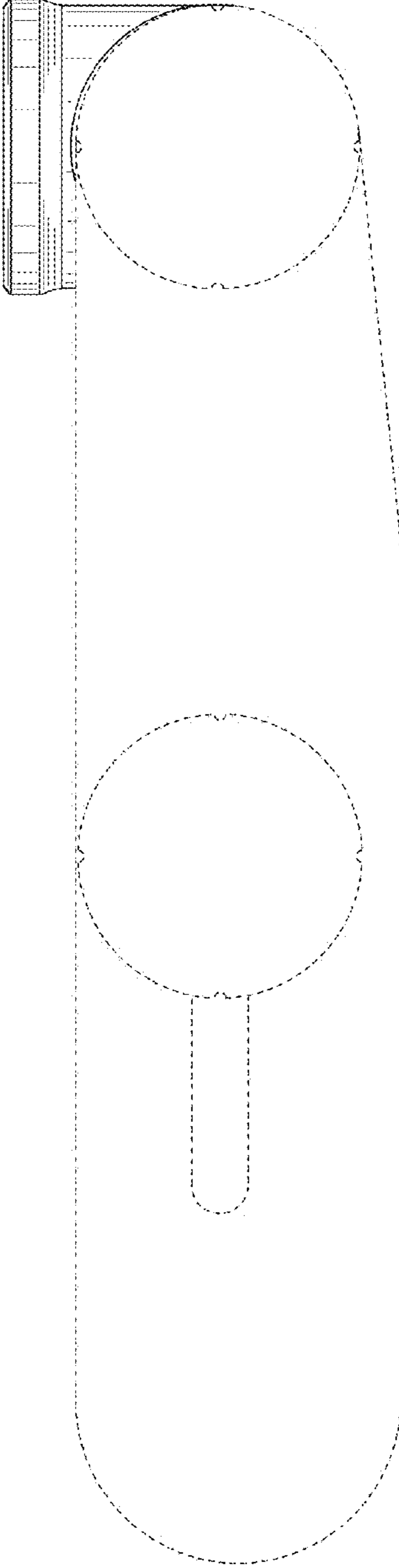


FIG. 8

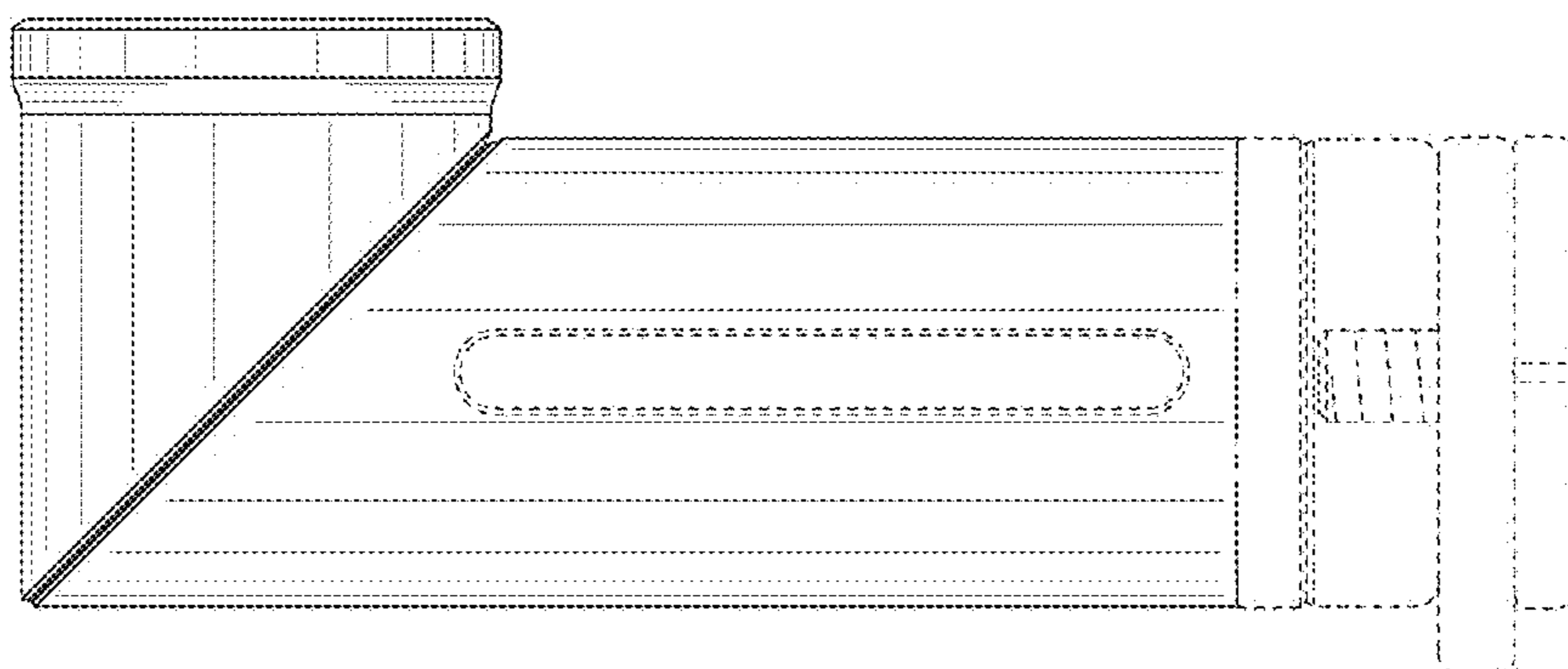


FIG. 7

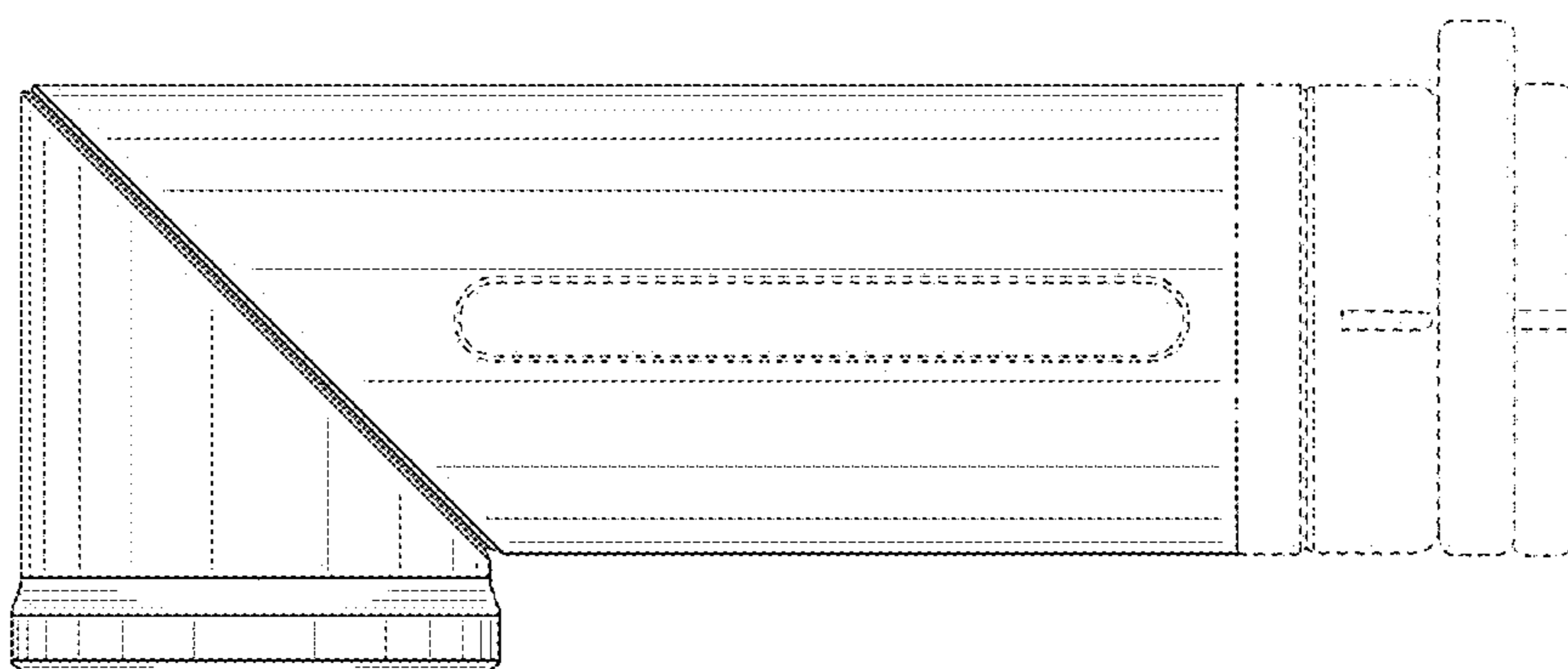


FIG. 9

