



US00D723724S

(12) **United States Design Patent**
Johnson

(10) **Patent No.:** **US D723,724 S**
(45) **Date of Patent:** **** Mar. 3, 2015**

- (54) **HEADLIGHT FOR A VEHICLE**
- (71) Applicant: **Bayerische Motoren Werke Aktiengesellschaft, Munich (DE)**
- (72) Inventor: **Mark Allen Johnson, Santa Monica, CA (US)**
- (73) Assignee: **Bayerische Motoren Werke Aktiengesellschaft, Munich (DE)**
- (**) Term: **14 Years**
- (21) Appl. No.: **29/449,351**
- (22) Filed: **Mar. 15, 2013**
- (51) **LOC (10) Cl.** **26-06**
- (52) **U.S. Cl.**
USPC **D26/28**
- (58) **Field of Classification Search**
USPC **D26/28-36; 362/459-468, 475-478, 362/485-487**
See application file for complete search history.

- (56) **References Cited**
- U.S. PATENT DOCUMENTS**
- D490,174 S * 5/2004 Lin D26/28
- D493,550 S * 7/2004 Lin D26/28
- D495,813 S * 9/2004 Lin D26/28
- D528,681 S * 9/2006 Nakahara D26/28
- D538,956 S * 3/2007 Ishii D26/28
- D593,691 S 6/2009 Habib

- FOREIGN PATENT DOCUMENTS**
- WO DM/069951 10/2008
- WO DM/071790 11/2009
- WO DM/079708 12/2012
- WO DM/080343 2/2013

* cited by examiner

Primary Examiner — Marcus Jackson
(74) *Attorney, Agent, or Firm* — Crowell & Moring LLP

(57) **CLAIM**
The ornamental design for a headlight for a vehicle, as shown and described.

DESCRIPTION

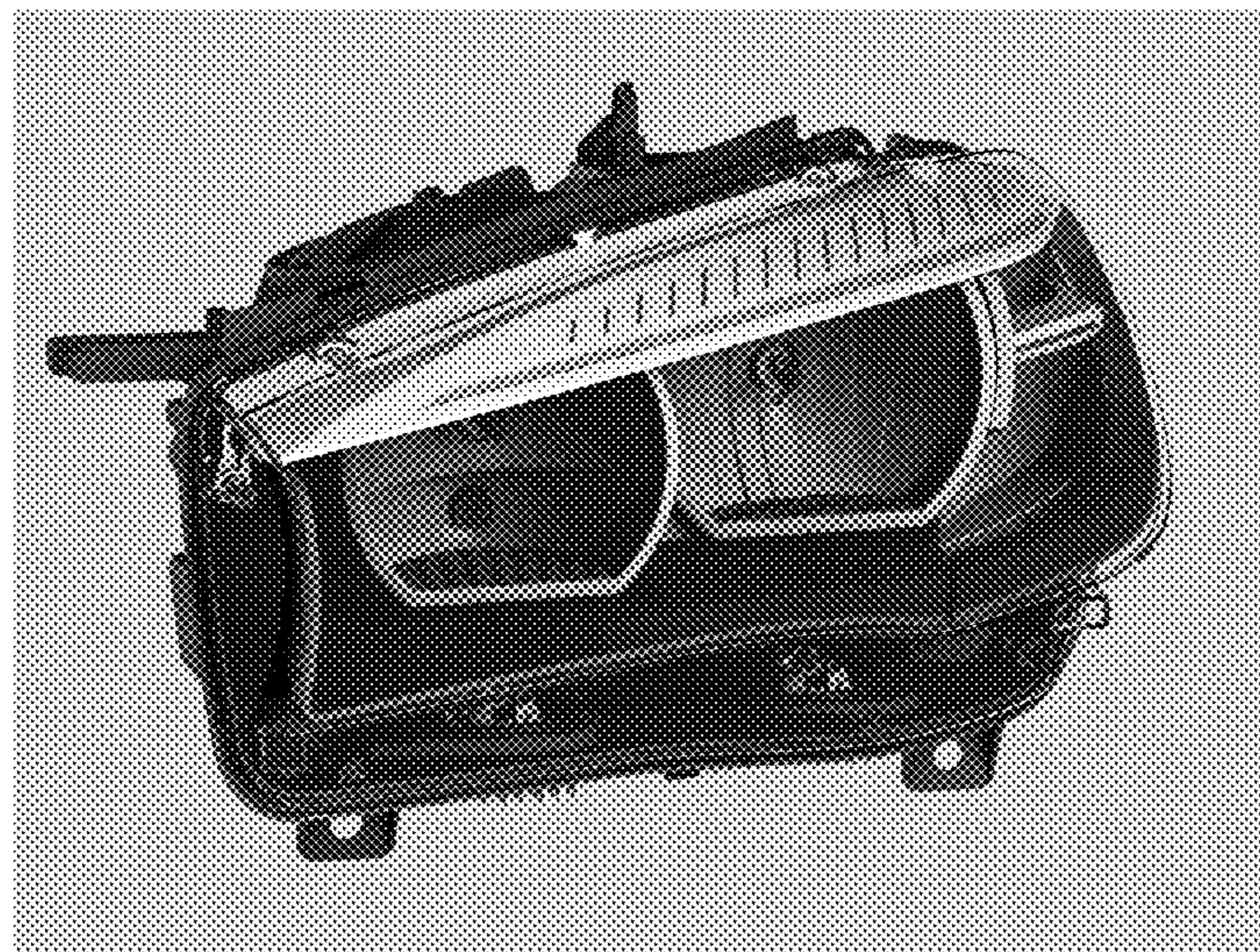
This application contains subject matter related to the following co-pending U.S. design patent application: Application Ser. No. 29/449,346, filed herewith and entitled "Vehicle, Toy, and/or Replicas Thereof".

FIG. 1 is a front view of a first embodiment of a headlight for a vehicle according to the design;
 FIG. 2 is a right, front perspective view thereof;
 FIG. 3 is a left, front perspective view thereof;
 FIG. 4 is a right side view thereof;
 FIG. 5 is a left side view thereof;
 FIG. 6 is a top view thereof;
 FIG. 7 is a bottom view thereof; and
 FIG. 8 is a rear view thereof.

FIG. 9 is a front view of a second embodiment of the headlight for a vehicle according to the design;
 FIG. 10 is a right, front perspective view thereof;
 FIG. 11 is a left, front perspective view thereof;
 FIG. 12 is a right side view thereof;
 FIG. 13 is a left side view thereof;
 FIG. 14 is a top view thereof;
 FIG. 15 is a bottom view thereof; and
 FIG. 16 is a rear view thereof.

FIG. 17 is a front view of a third embodiment of the headlight for a vehicle according to the design;
 FIG. 18 is a right, front perspective view thereof;
 FIG. 19 is a left, front perspective view thereof;
 FIG. 20 is a right side view thereof;
 FIG. 21 is a left side view thereof;
 FIG. 22 is a top view thereof;
 FIG. 23 is a bottom view thereof; and
 FIG. 24 is a rear view thereof.

1 Claim, 24 Drawing Sheets



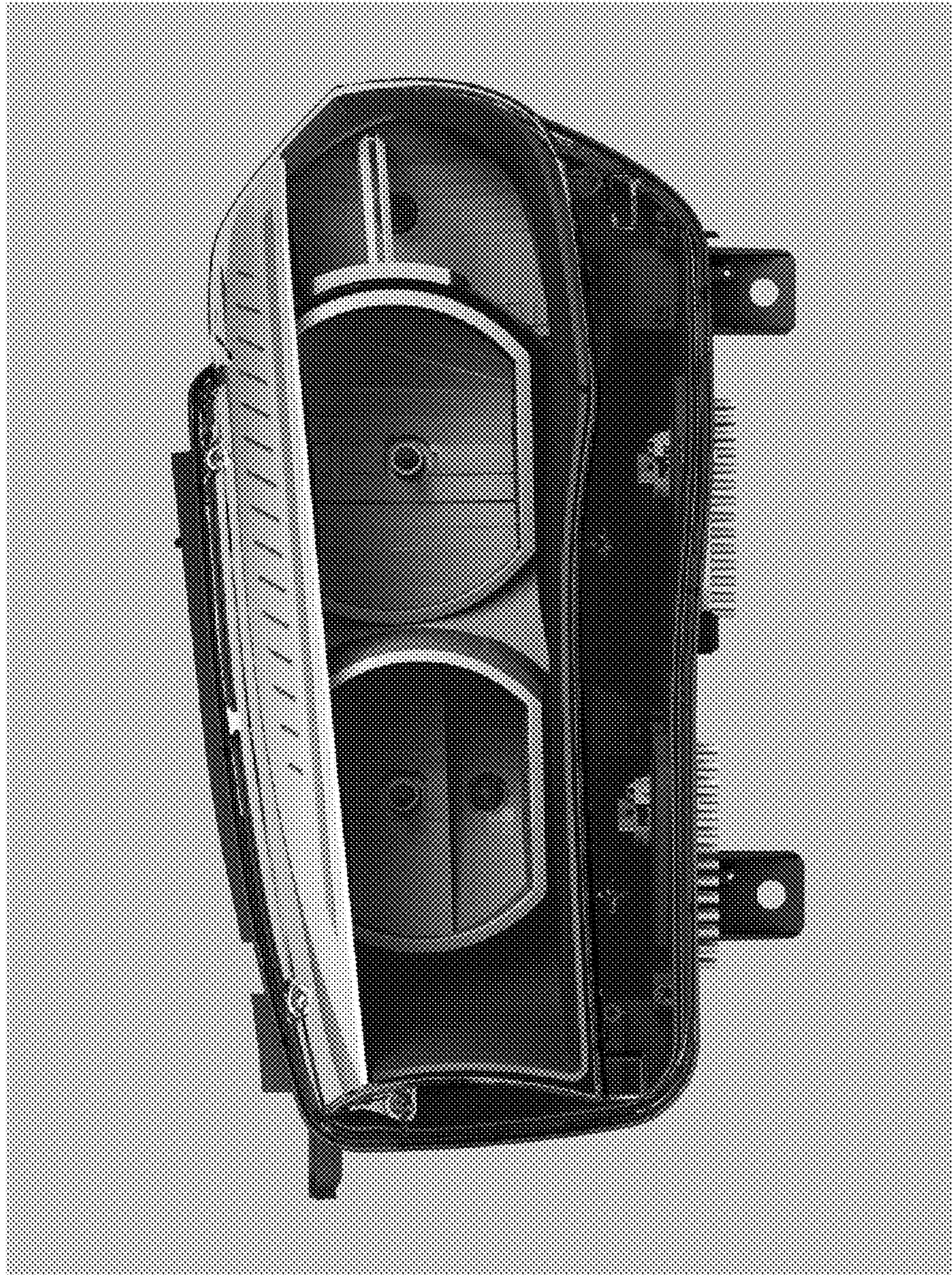


Fig. 1



Fig. 2



Fig. 3

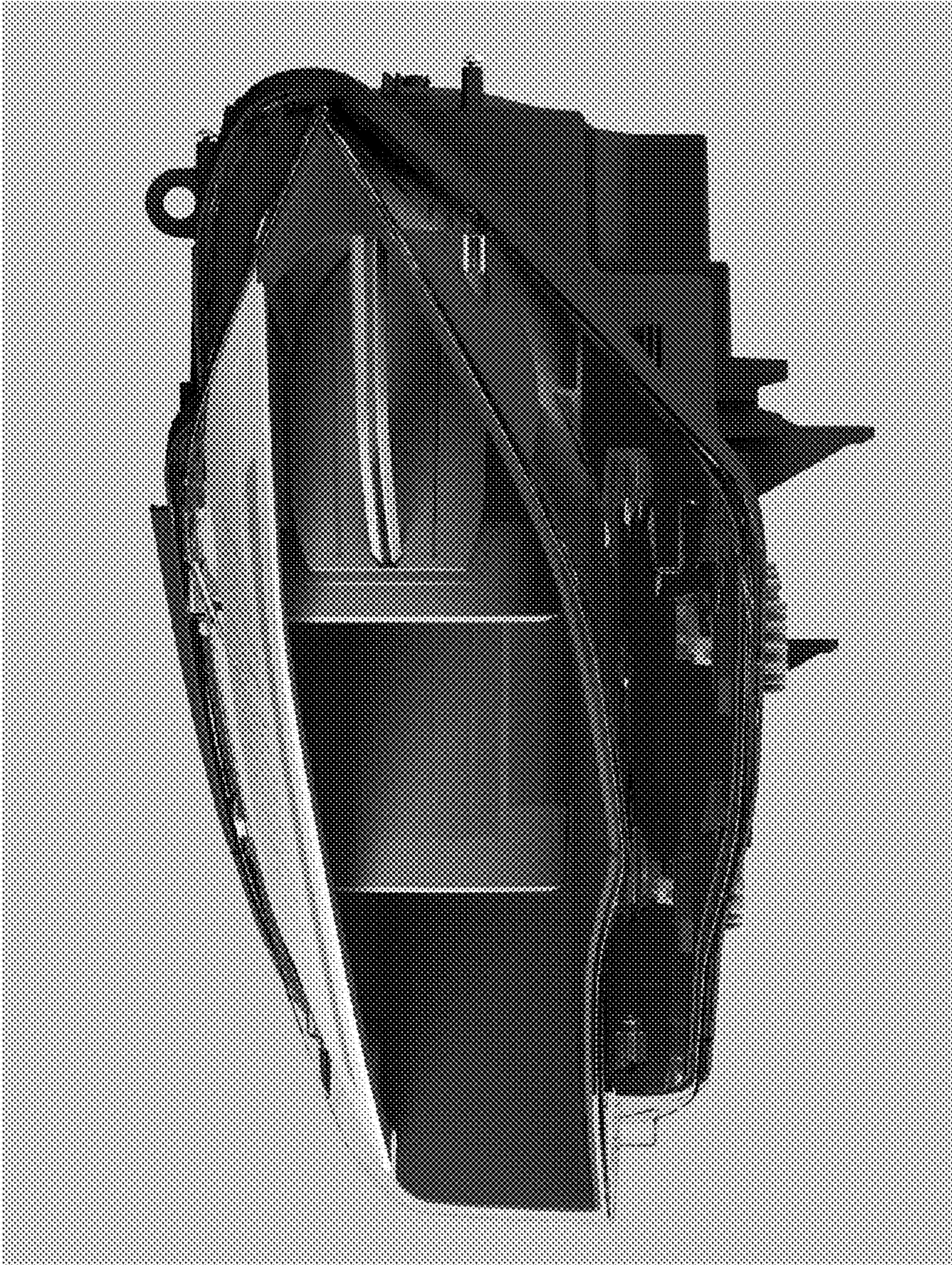


Fig. 4

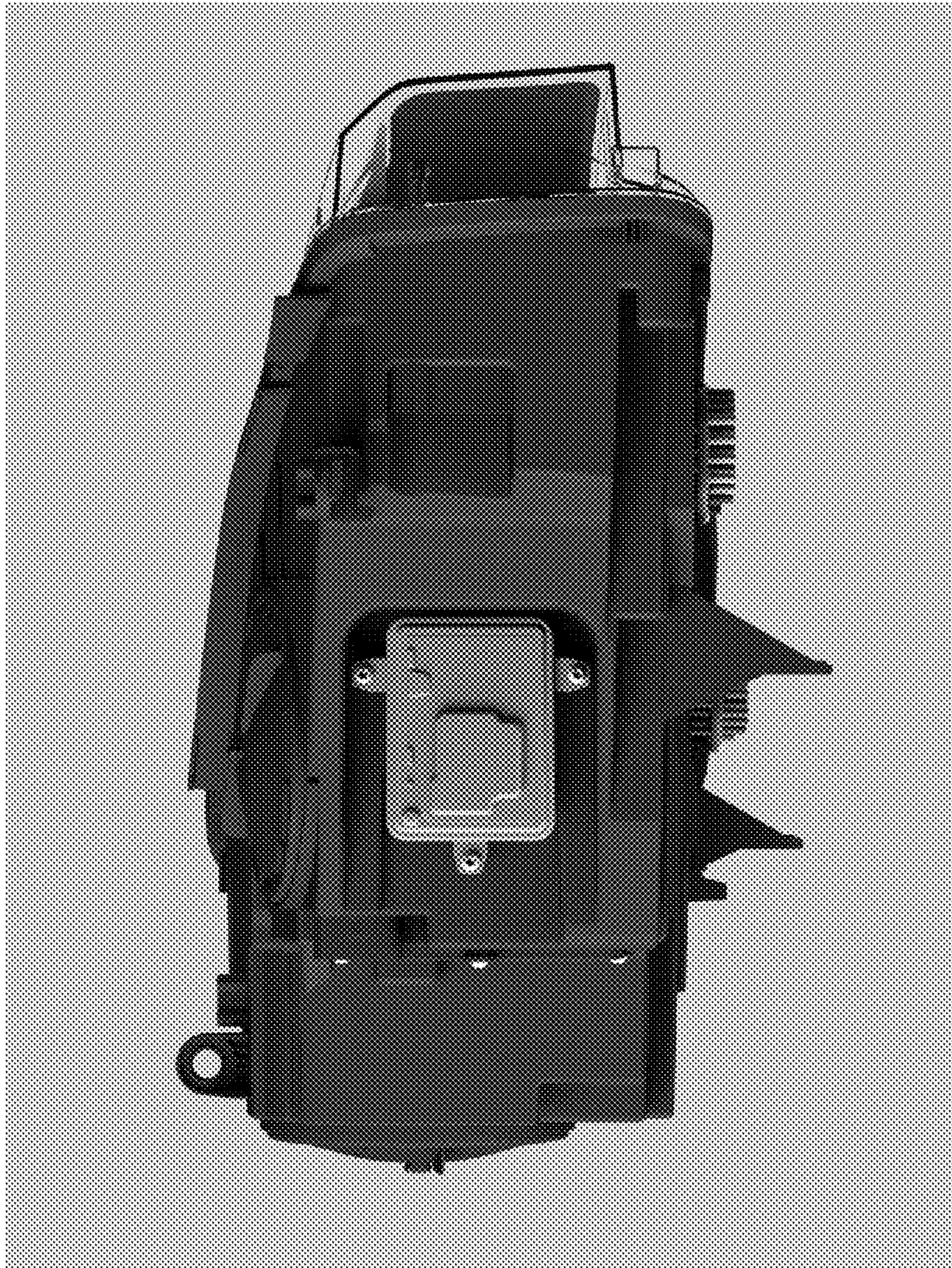


Fig. 5



Fig. 6

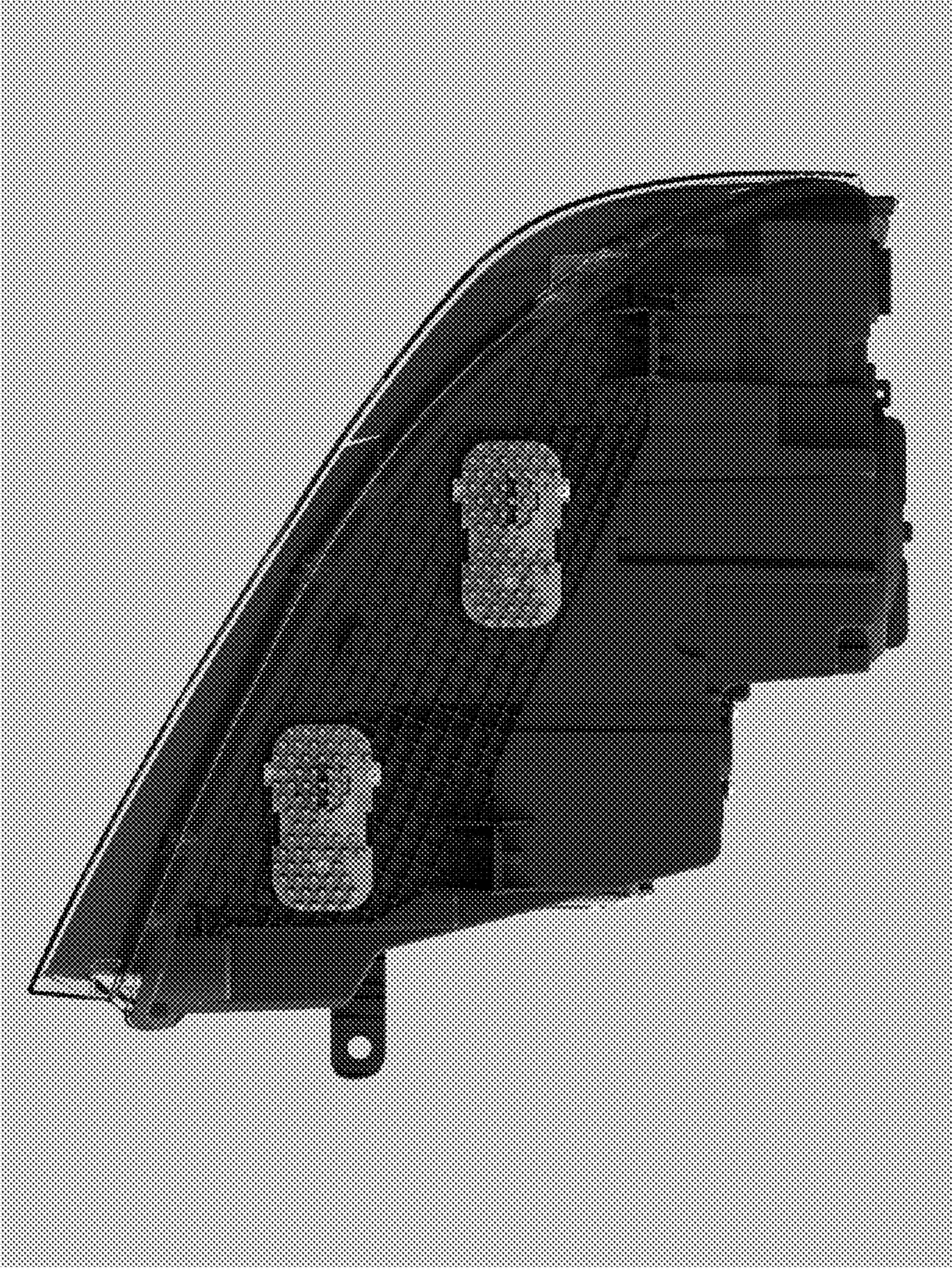


Fig. 7

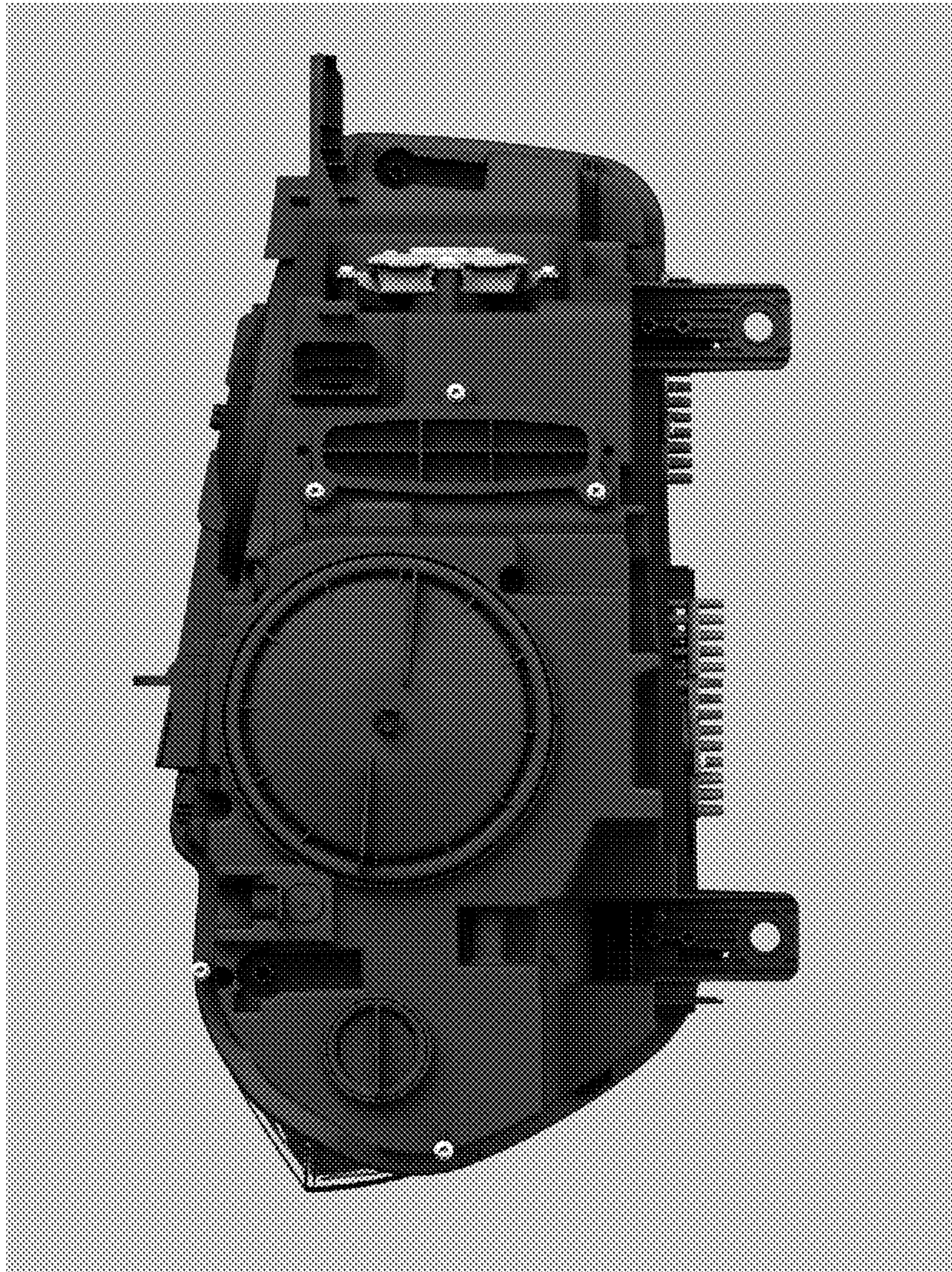


Fig. 8

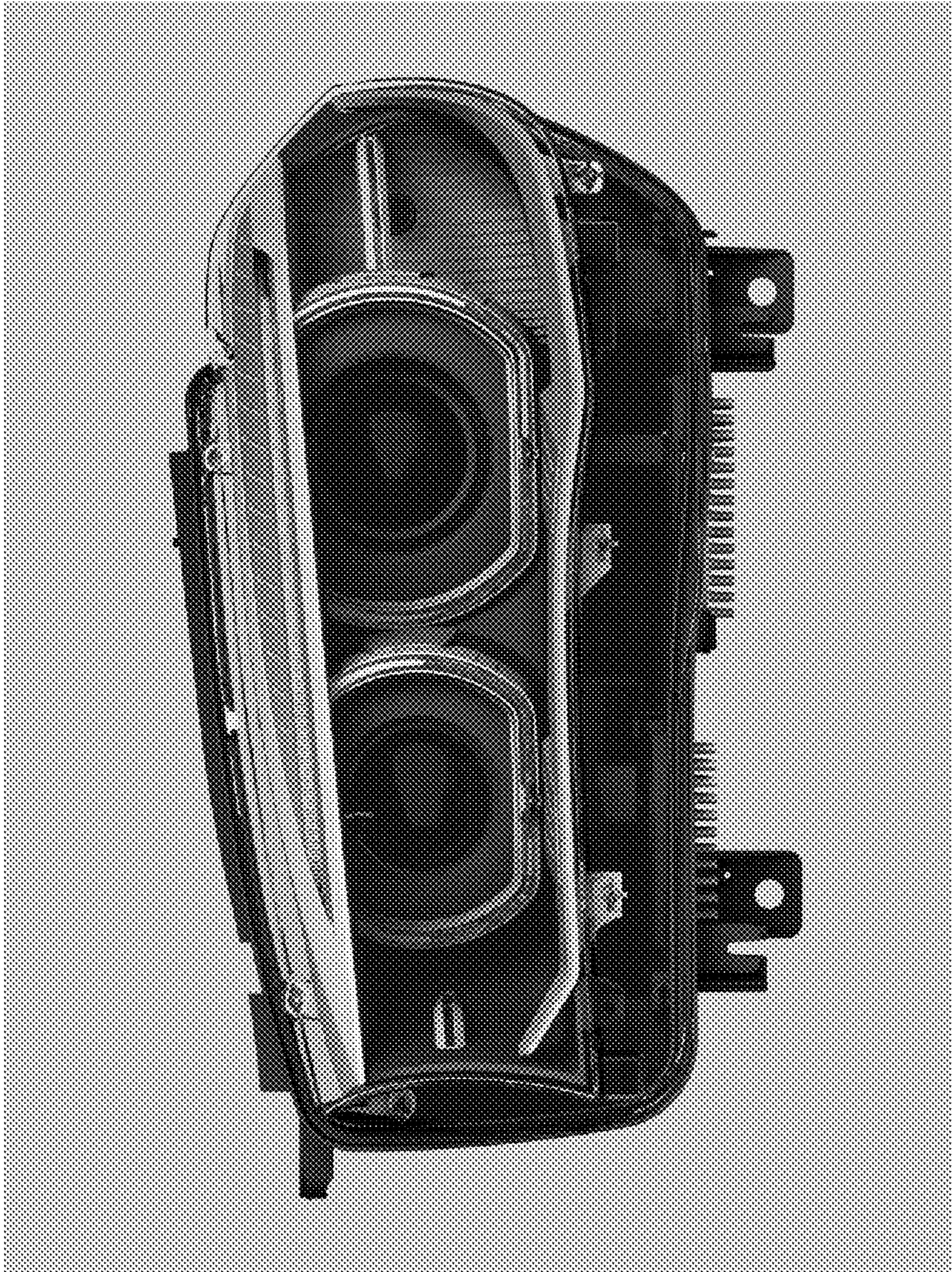


Fig. 9

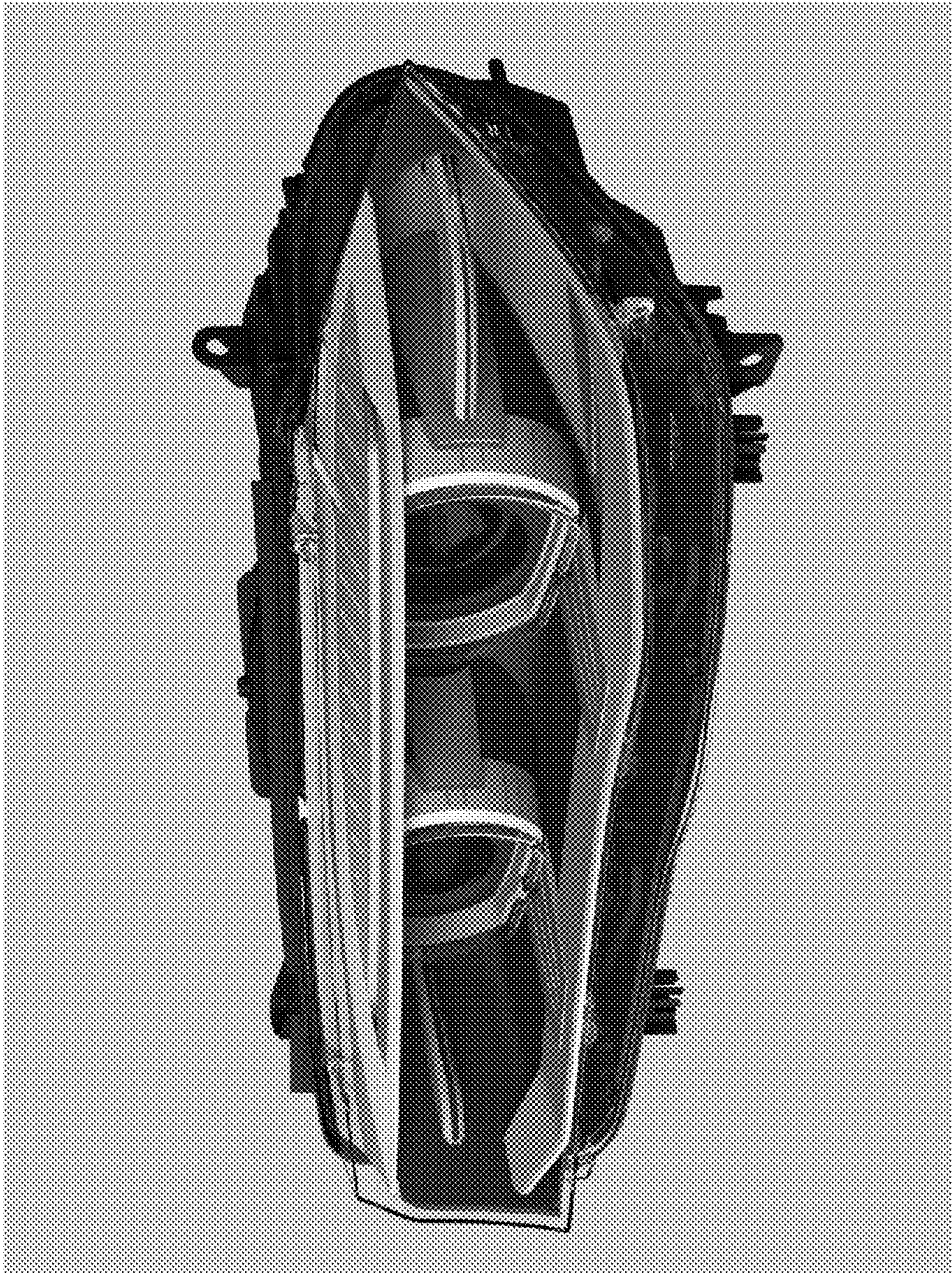


Fig. 10



Fig. 11

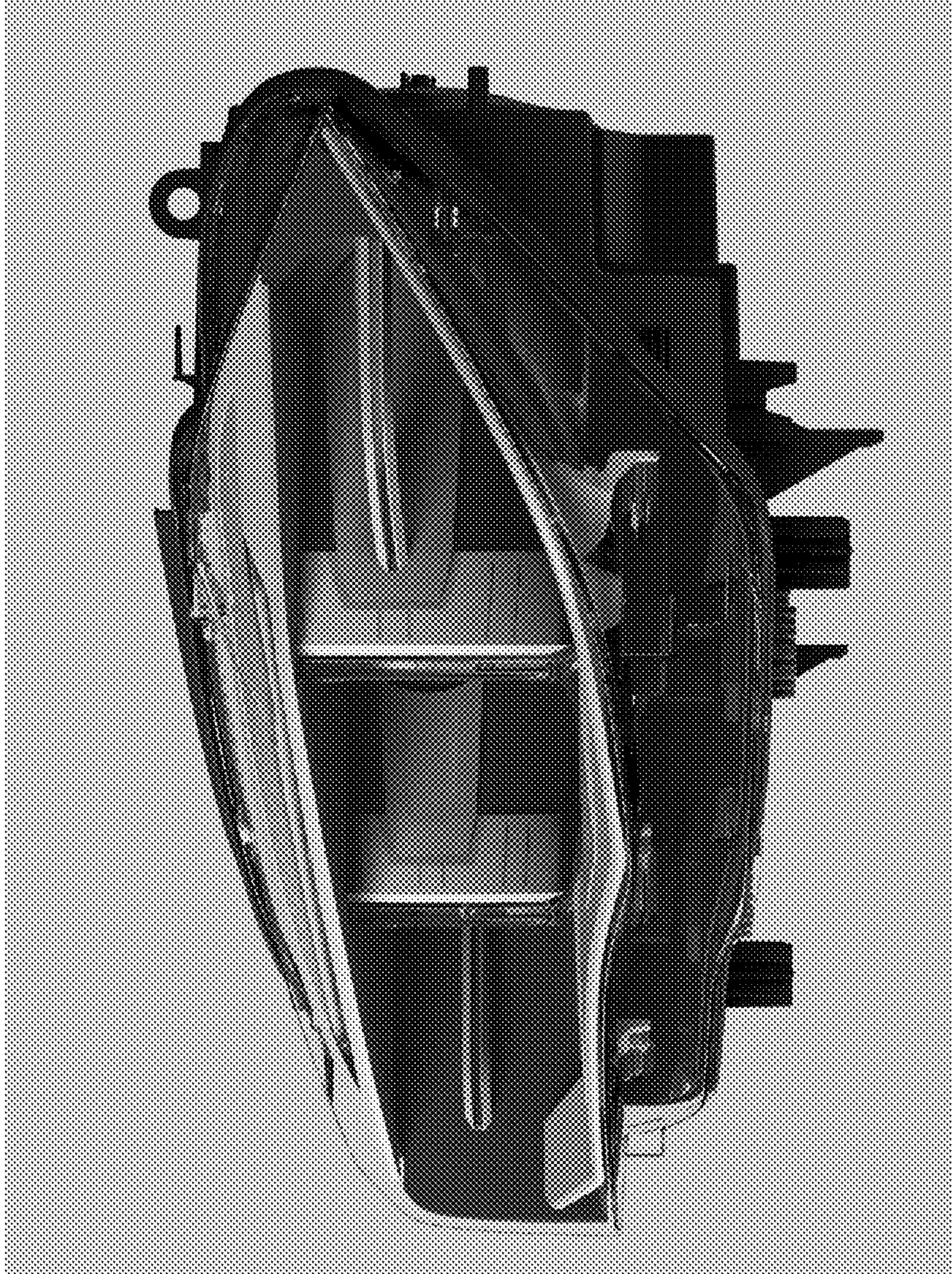


Fig. 12

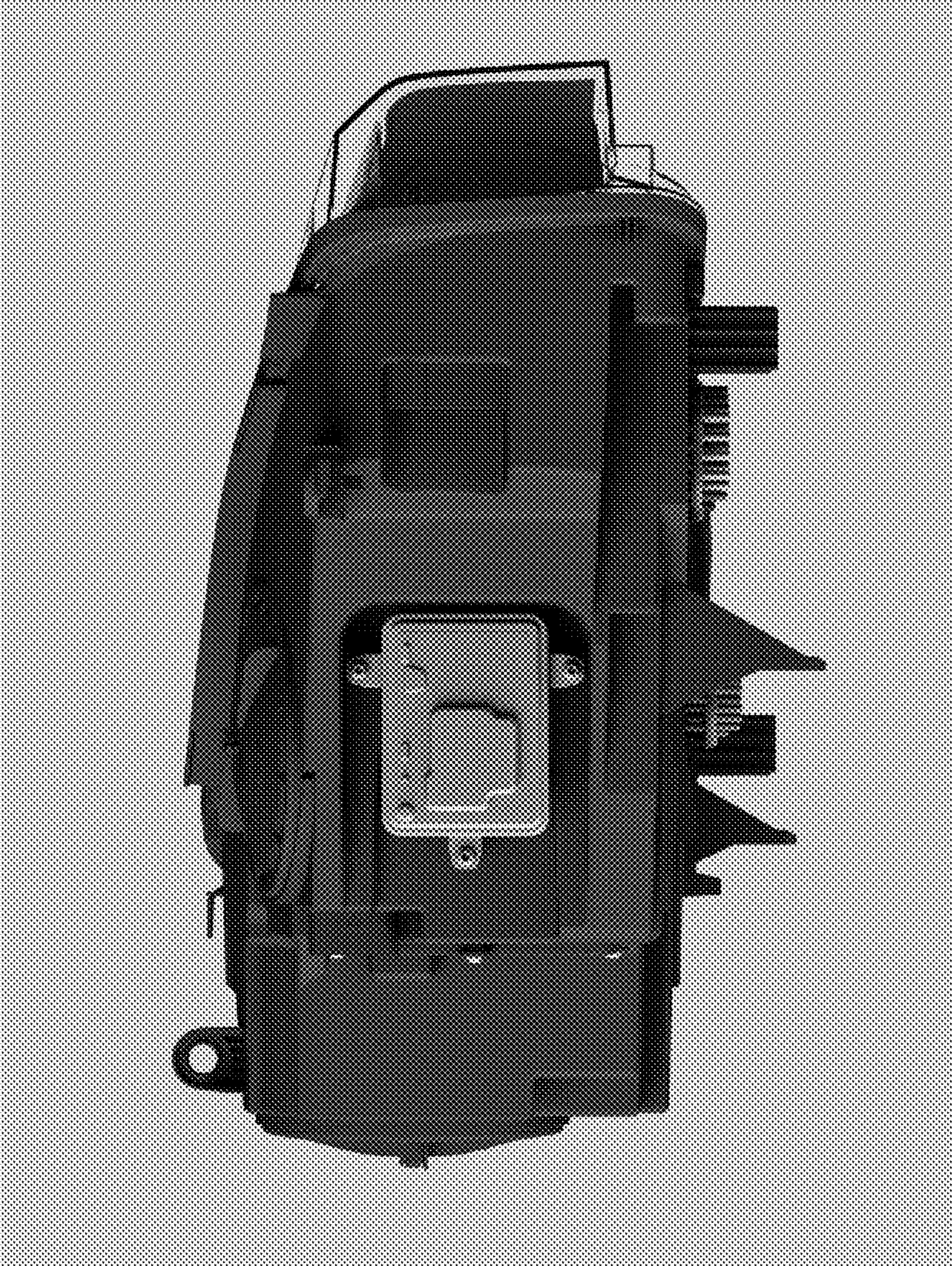


Fig. 13

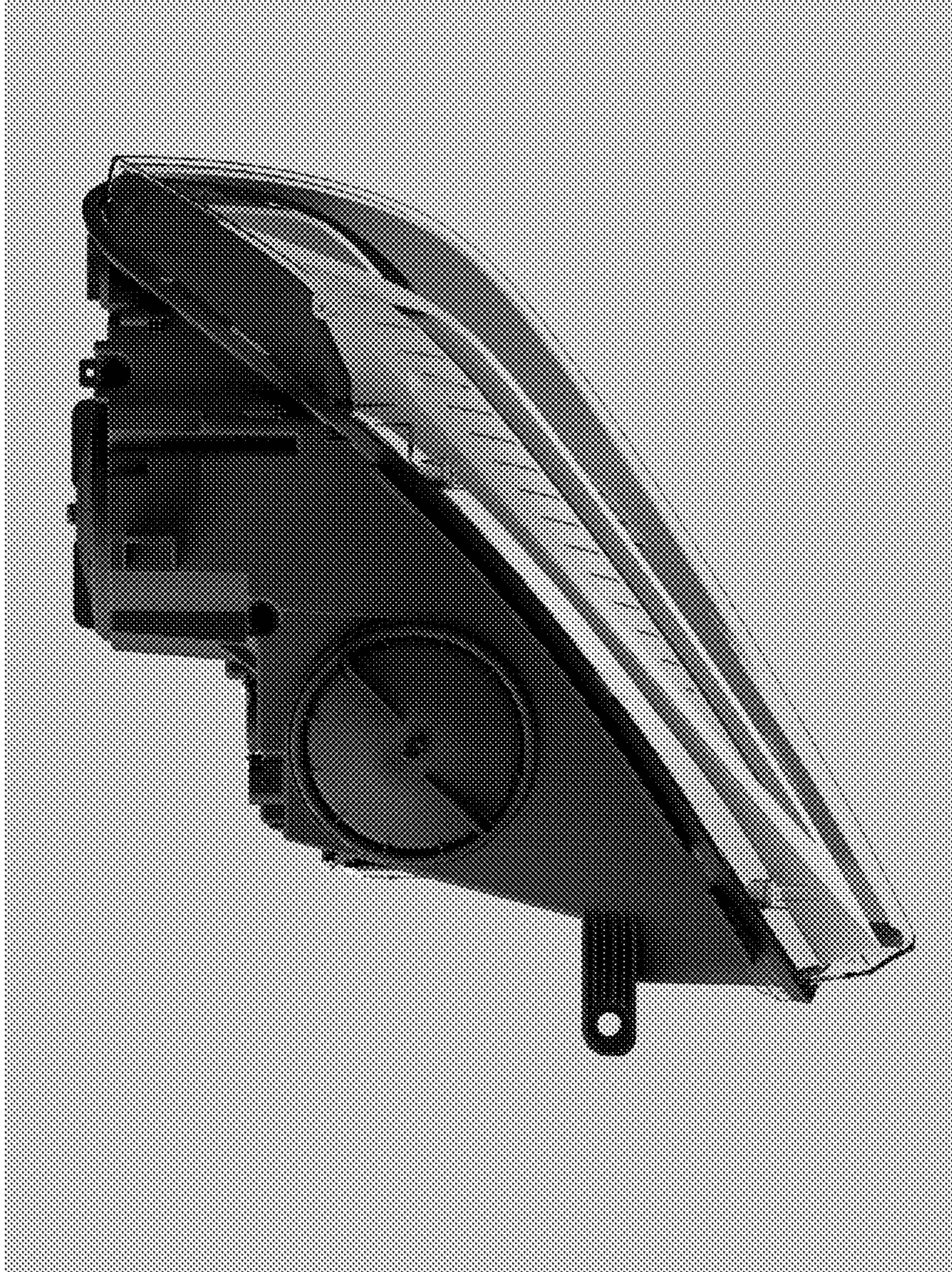


Fig. 14

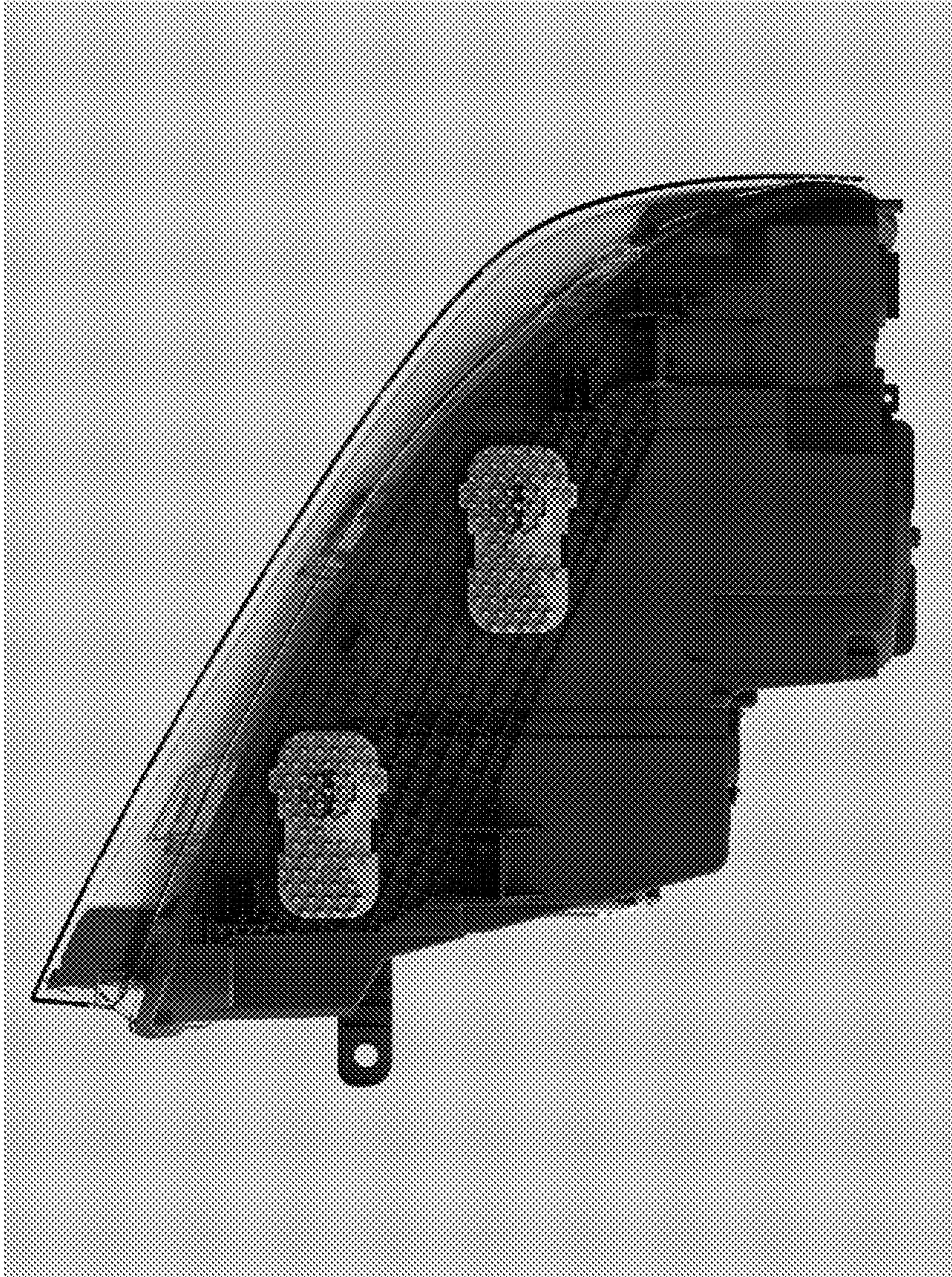


Fig. 15

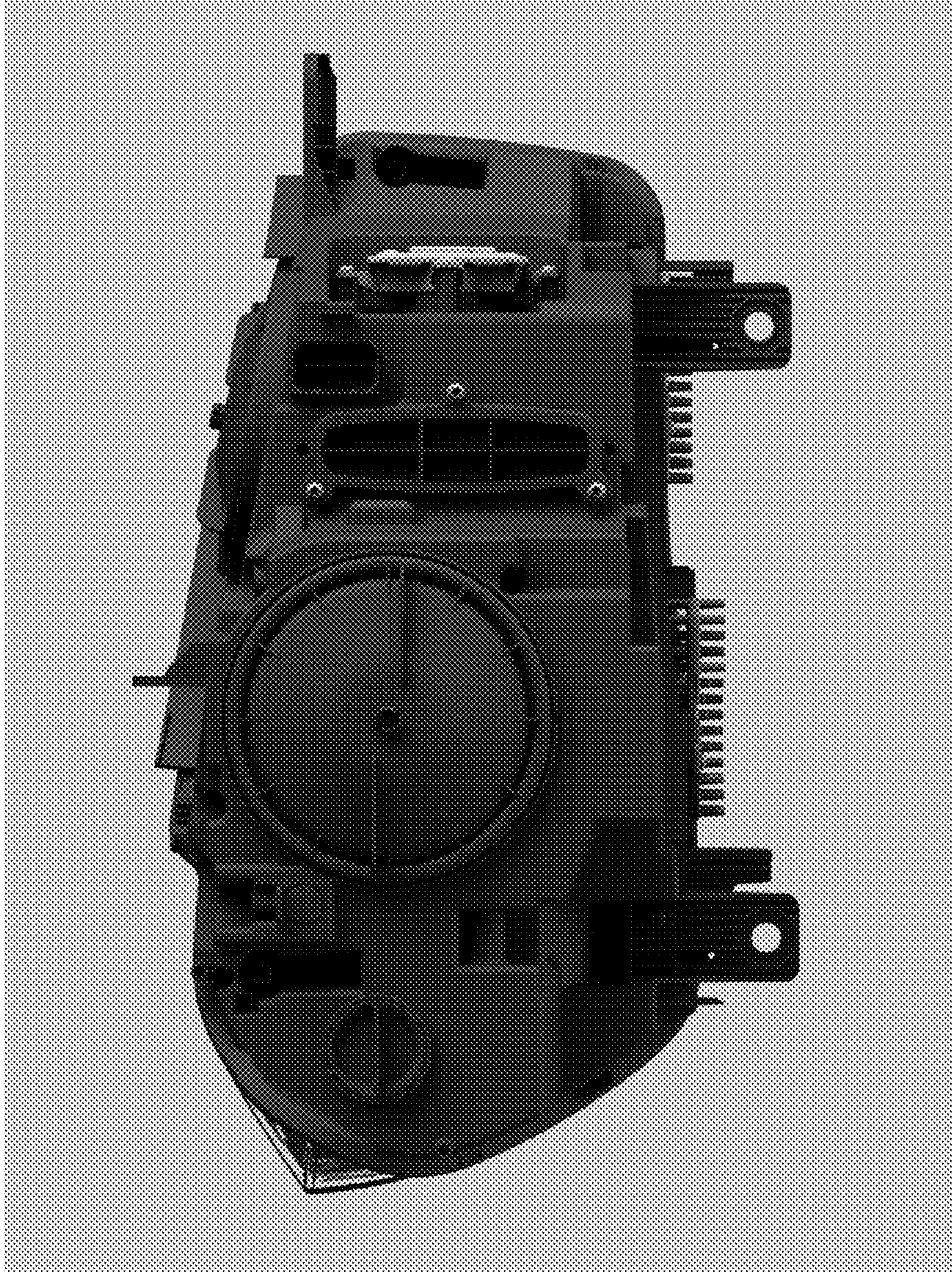


Fig. 16

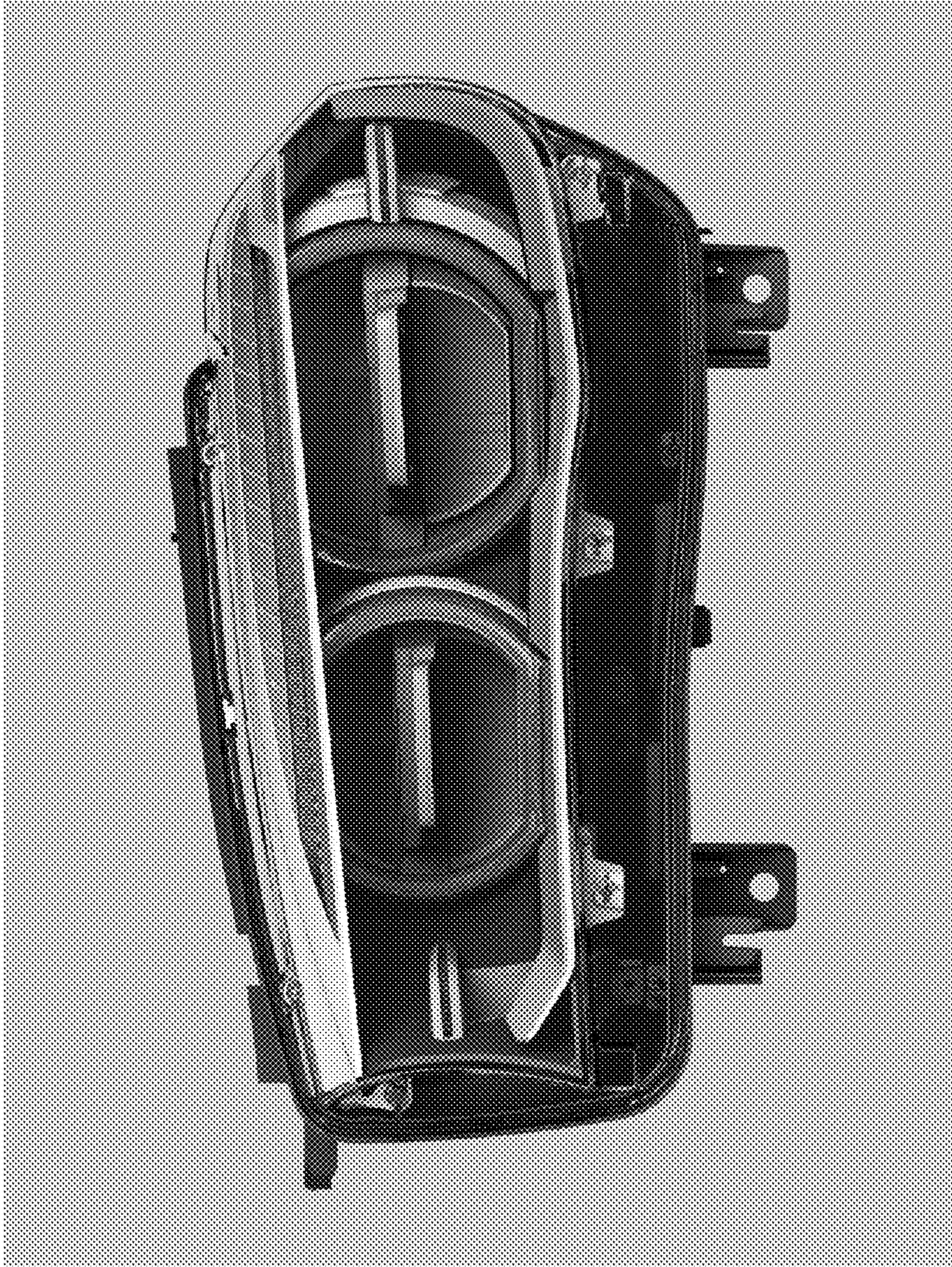


Fig. 17

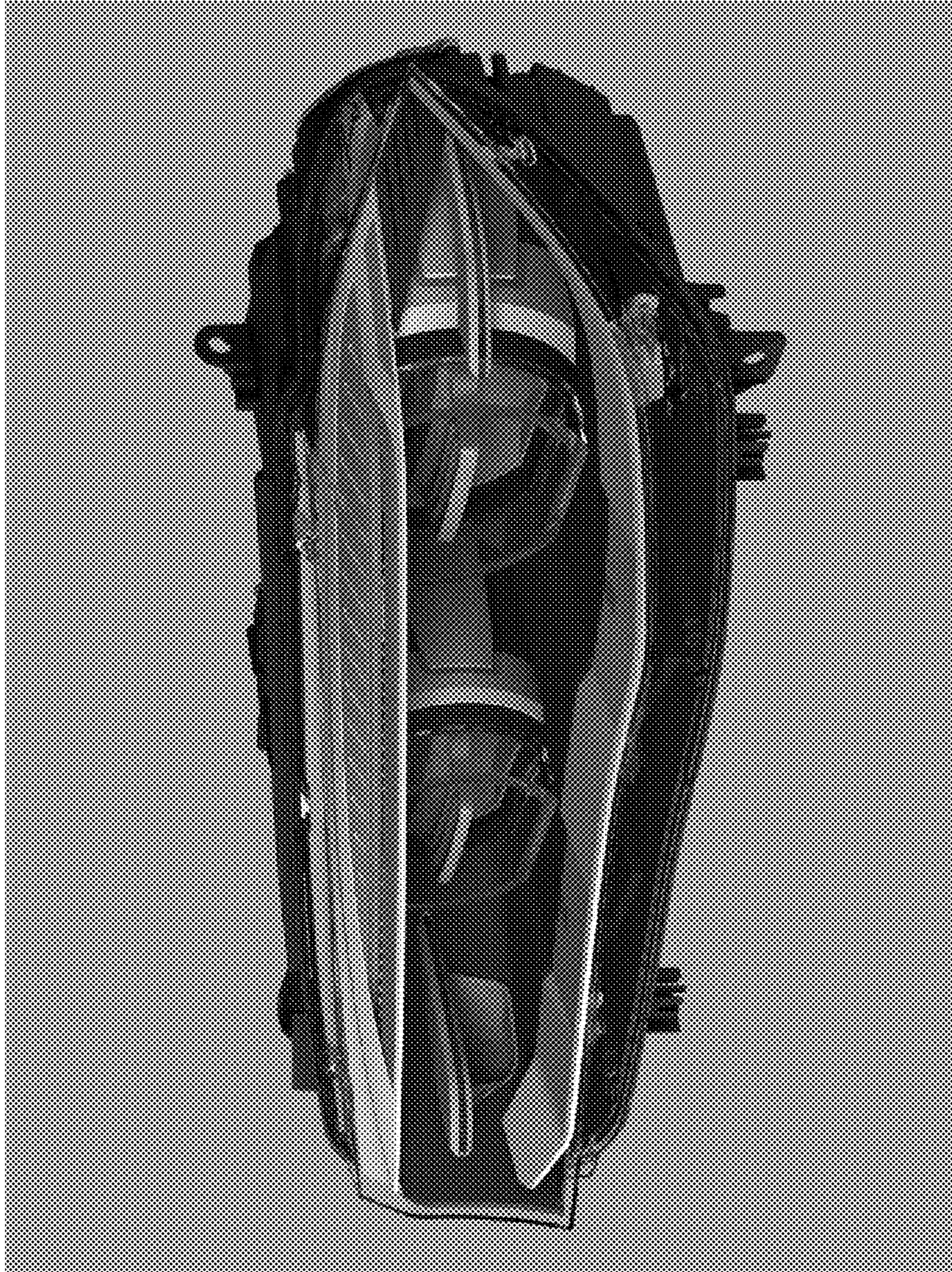


Fig. 18



Fig. 19

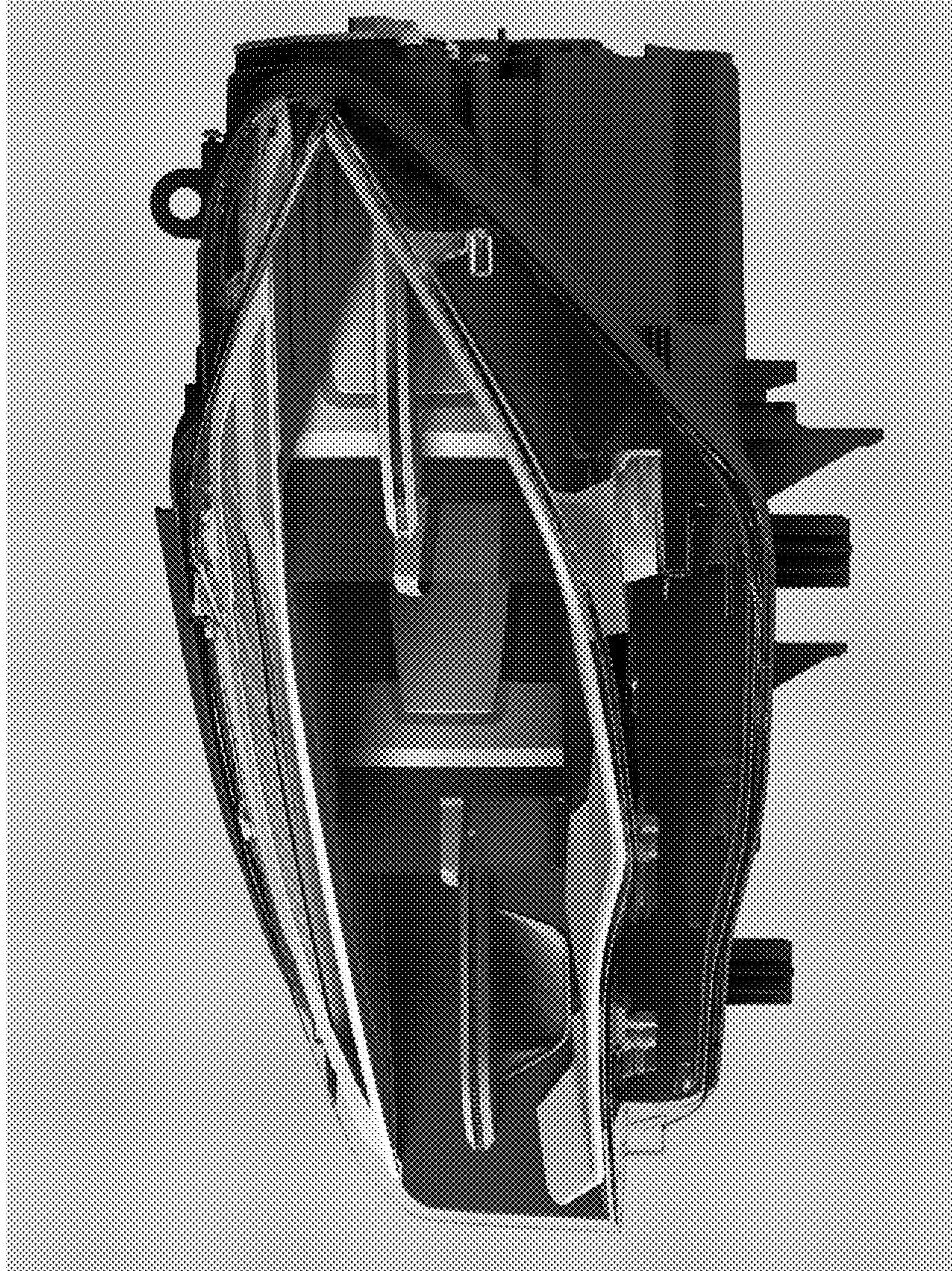


Fig. 20

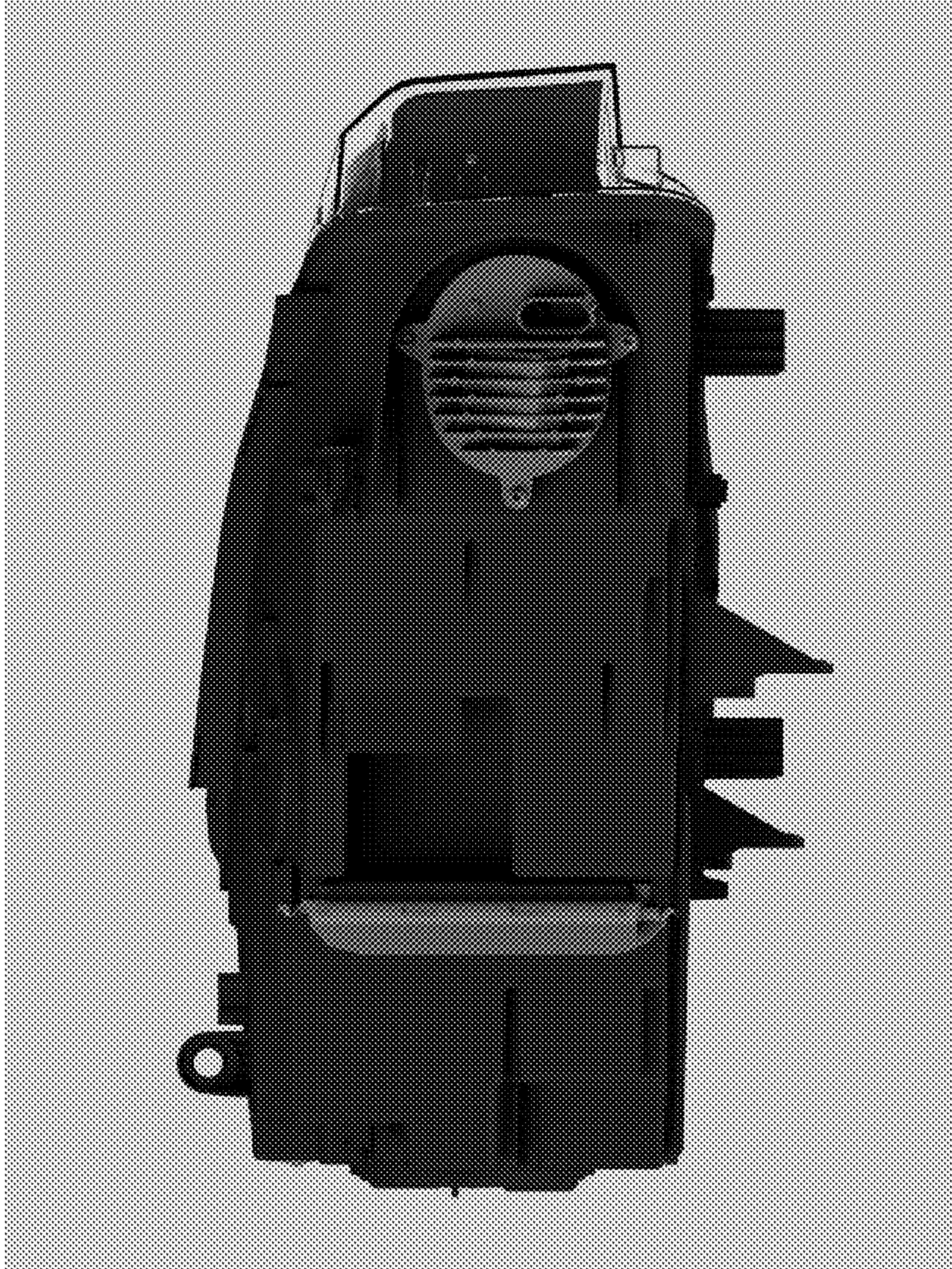


Fig. 21

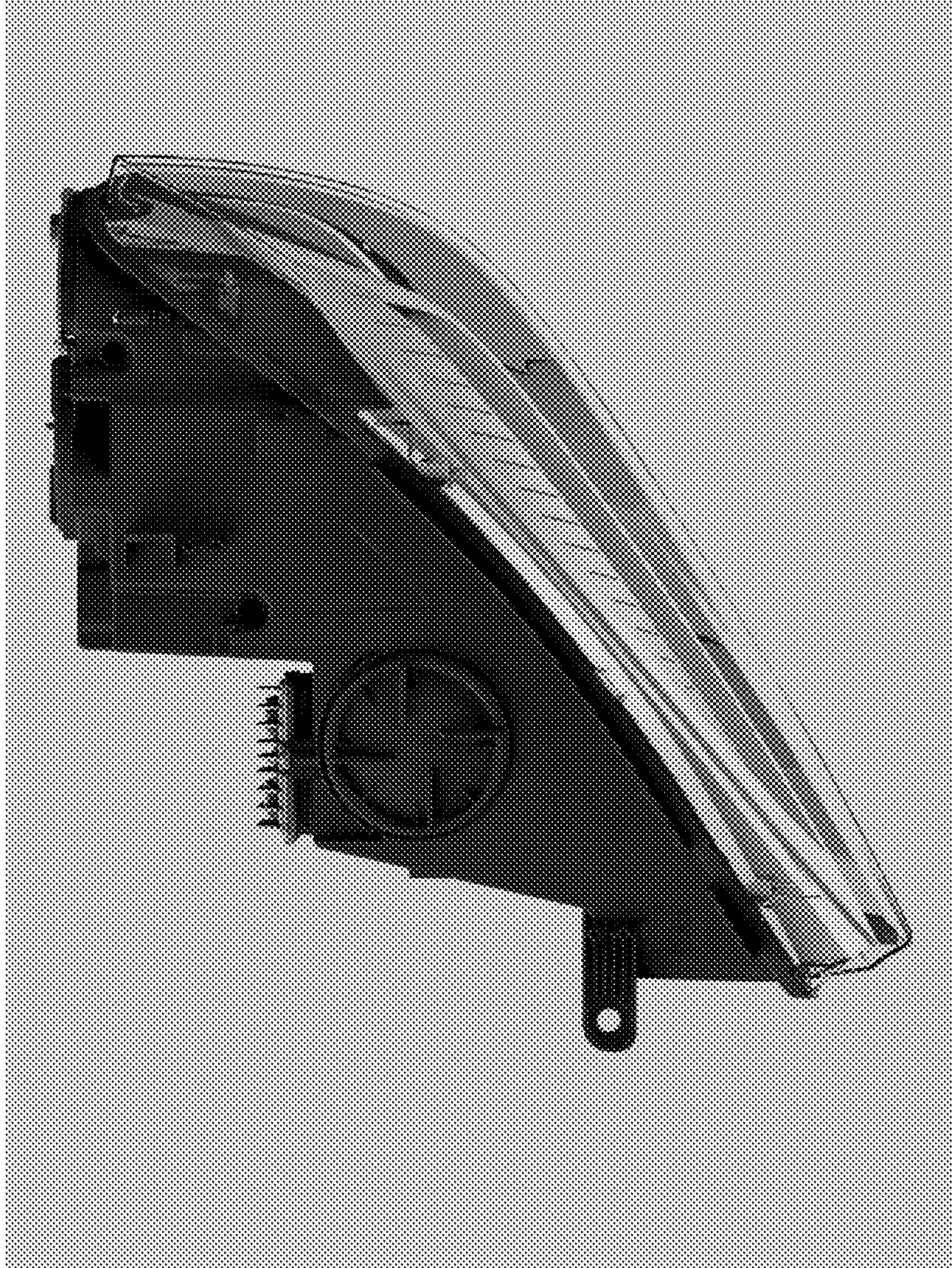


Fig. 22

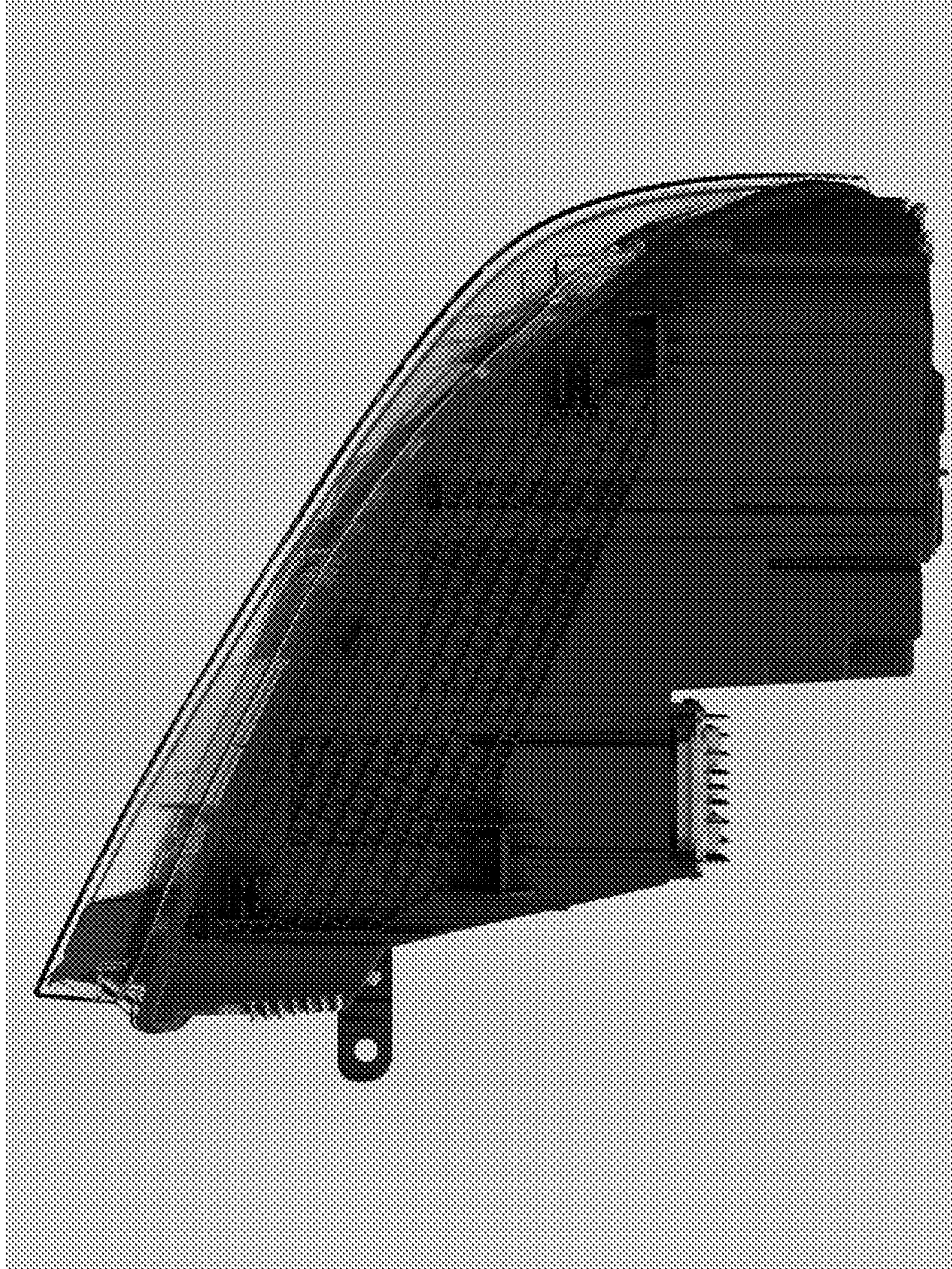


Fig. 23

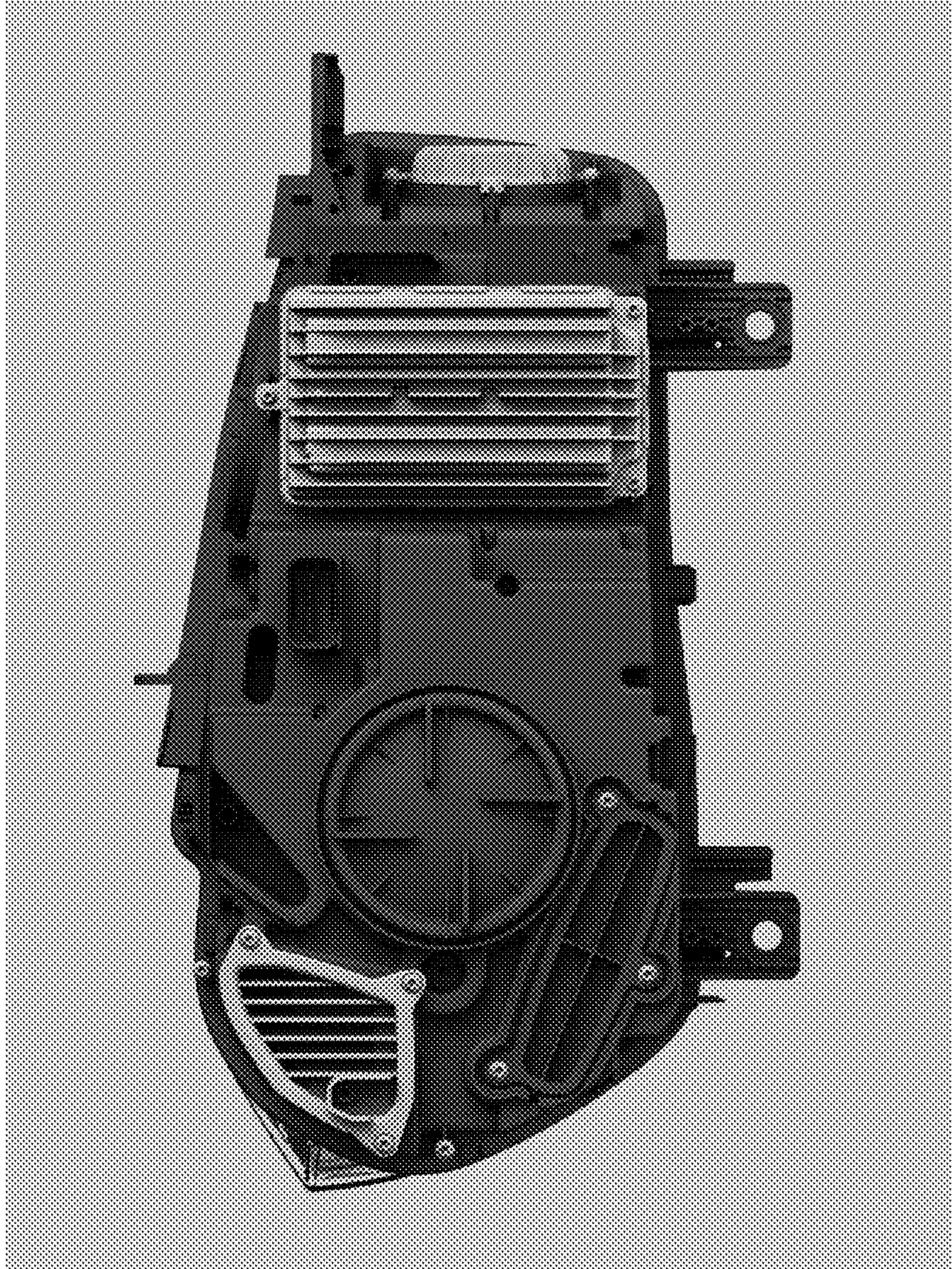


Fig. 24