



US00D723722S

(12) **United States Design Patent**
Negrete

(10) **Patent No.:** **US D723,722 S**
(45) **Date of Patent:** **** Mar. 3, 2015**

(54) **LED HEADLIGHT**

(75) **Inventor:** **Raul A. Negrete**, City of Industry, CA (US)

(73) **Assignee:** **Racing Power Company**, City of Industry, CA (US)

(**) **Term:** **14 Years**

(21) **Appl. No.:** **29/414,568**

(22) **Filed:** **Feb. 29, 2012**

(51) **LOC (10) Cl.** **26-06**

(52) **U.S. Cl.**
USPC **D26/28**

(58) **Field of Classification Search**
USPC D26/28-36; 362/459-468, 475-478, 362/485-487

See application file for complete search history.

(56) **References Cited**

U.S. PATENT DOCUMENTS

D592,330 S * 5/2009 Huang D26/28
D595,001 S * 6/2009 Gorczyca et al. D26/28
D601,727 S * 10/2009 Huang D26/28

D605,789 S * 12/2009 Ko D26/28
D616,124 S * 5/2010 Wu D26/28
D626,670 S * 11/2010 Metzger et al. D26/28
D642,309 S * 7/2011 Huang D26/28

* cited by examiner

Primary Examiner — Marcus Jackson

(74) *Attorney, Agent, or Firm* — Knobbe, Martens, Olson & Bear, LLP

(57) **CLAIM**

I claim the ornamental design for a LED headlight, as shown and described.

DESCRIPTION

FIG. 1 is a front view of a first embodiment of a LED headlight embodying my new design.

FIG. 2 is a back view thereof.

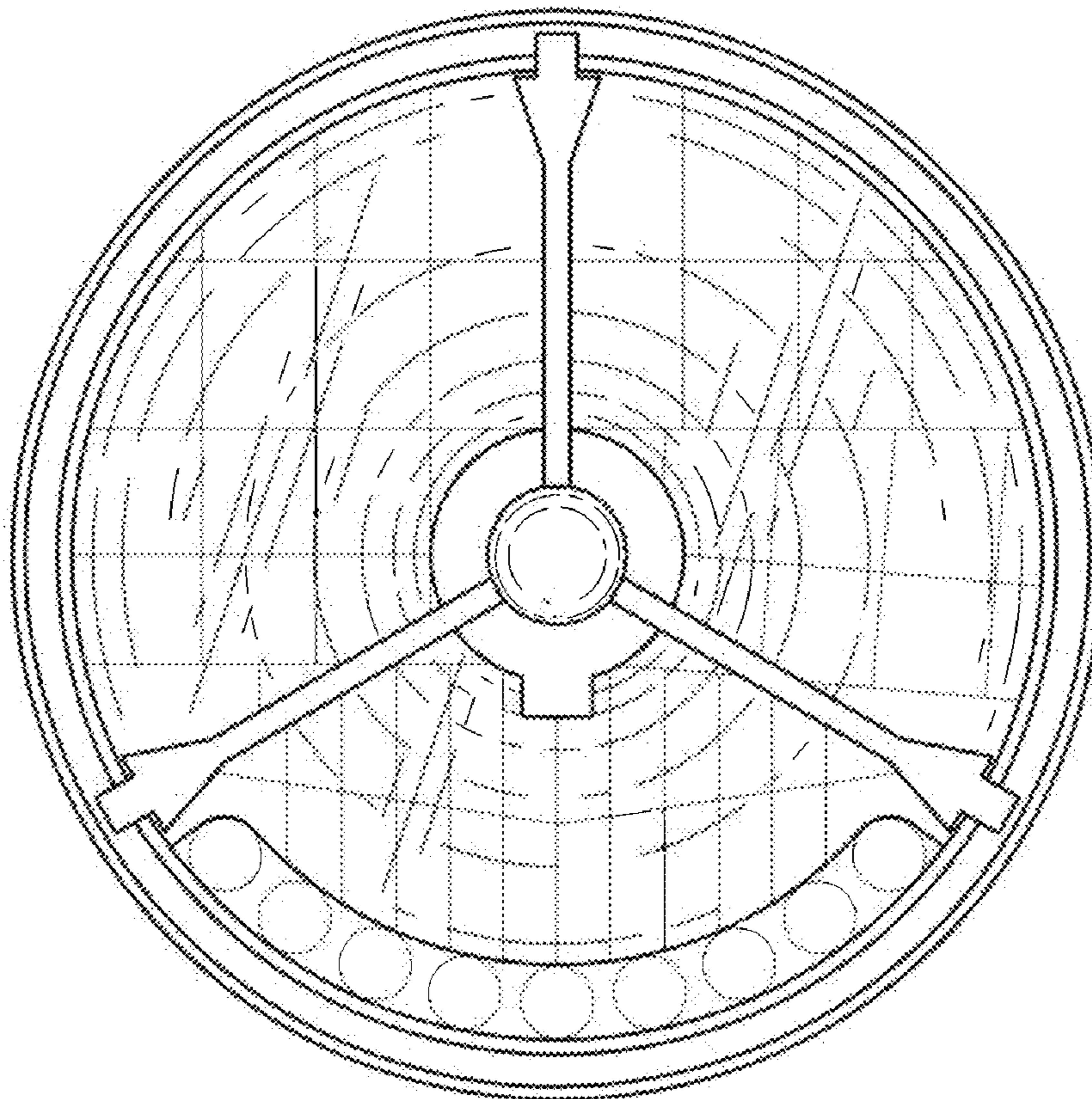
FIG. 3 is a side view thereof.

FIG. 4 is a bottom view thereof; and,

FIG. 5 is a top view thereof.

The broken line showing of rear and side portions of the claimed design is included for the purpose of illustrating only and forms no part of the claimed design.

1 Claim, 5 Drawing Sheets



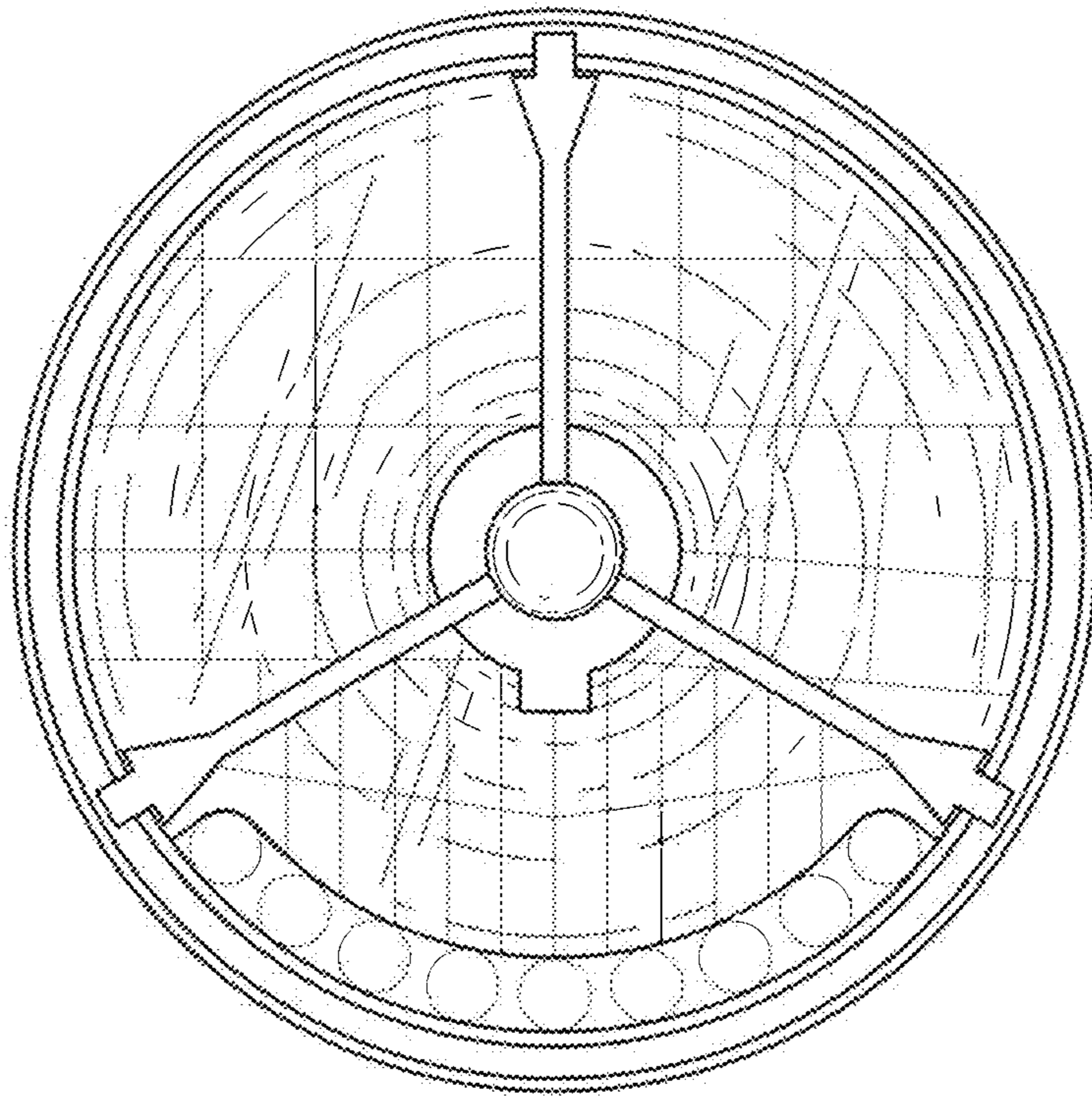


FIG. 1

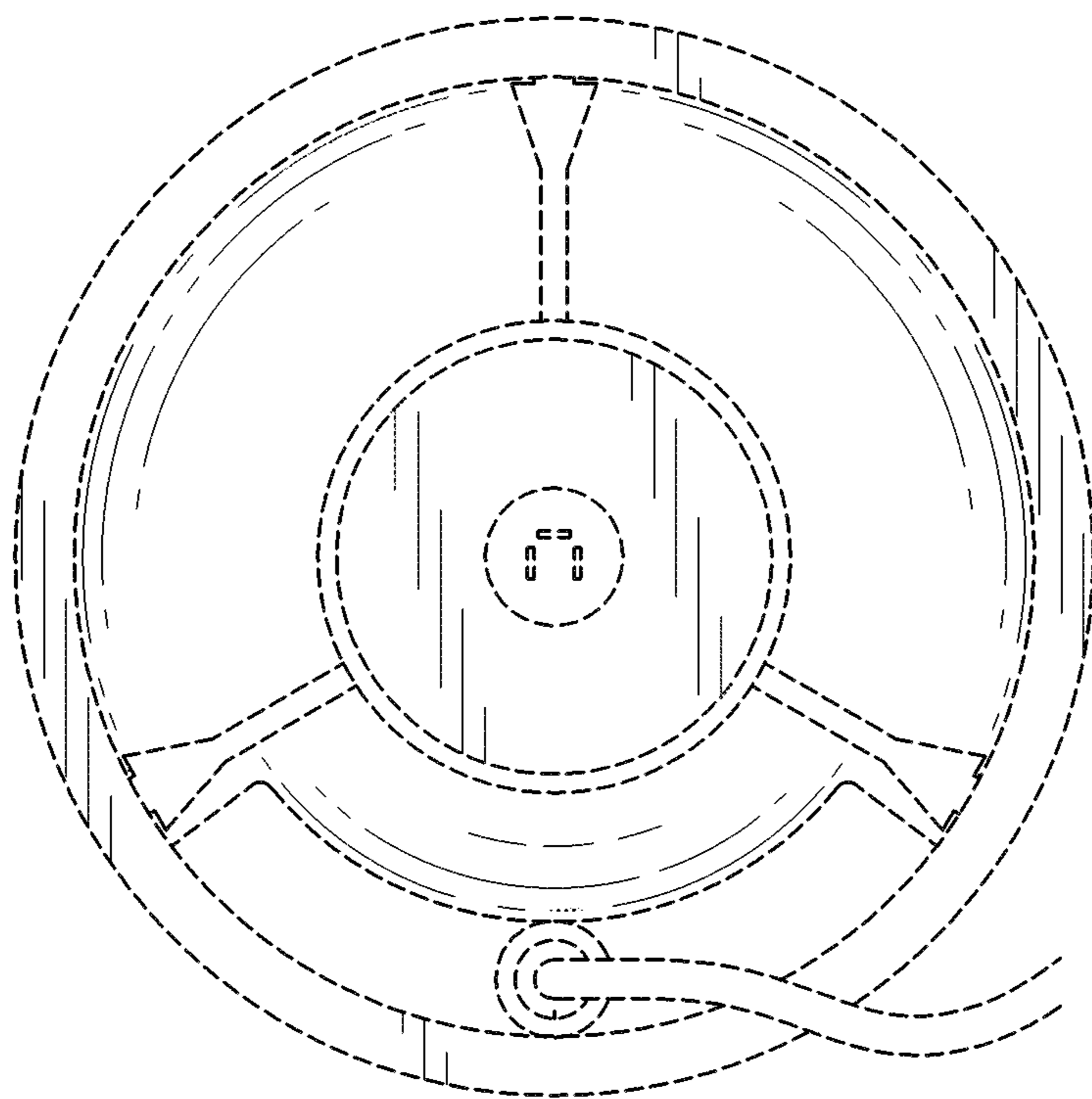


FIG. 2

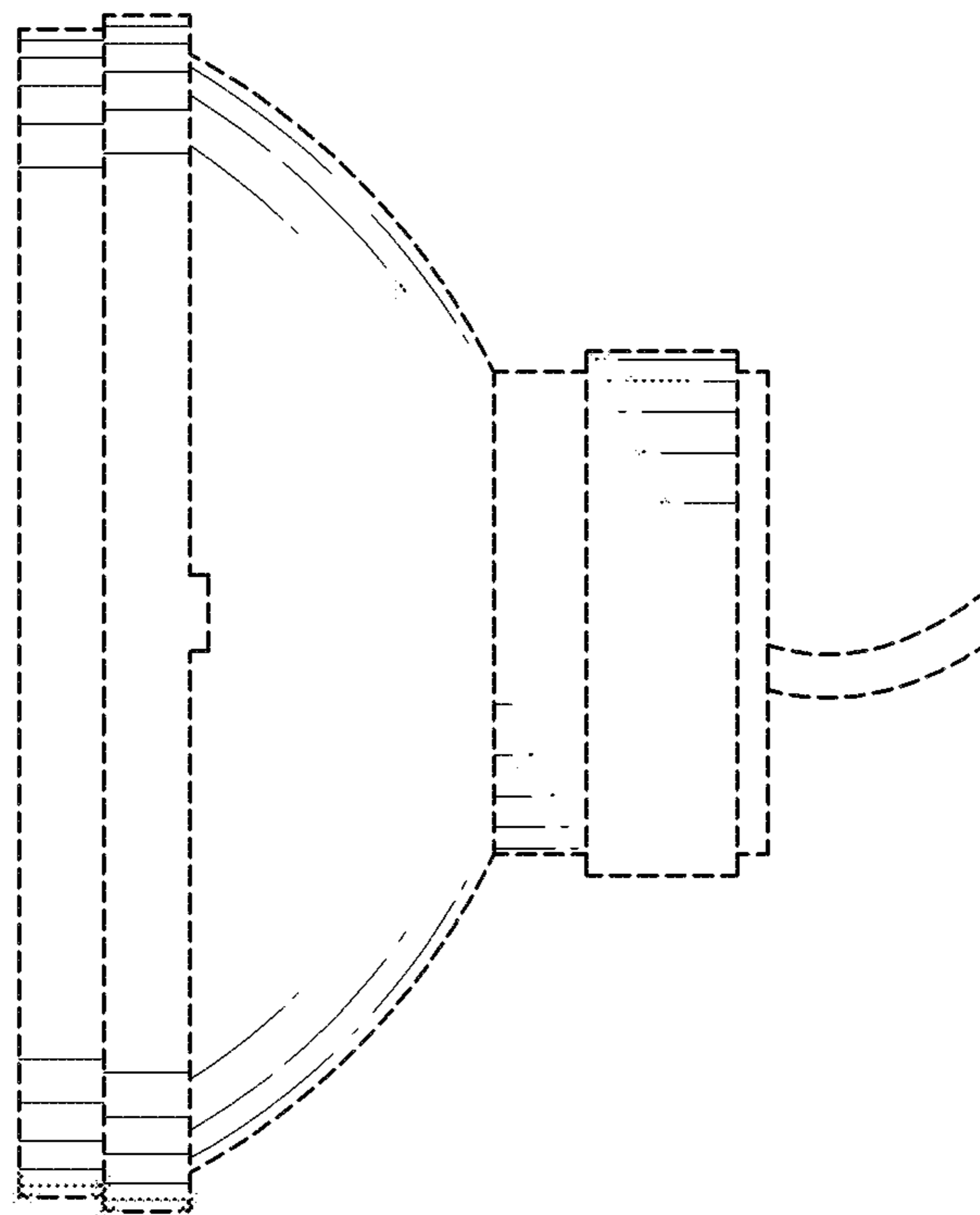


FIG. 3

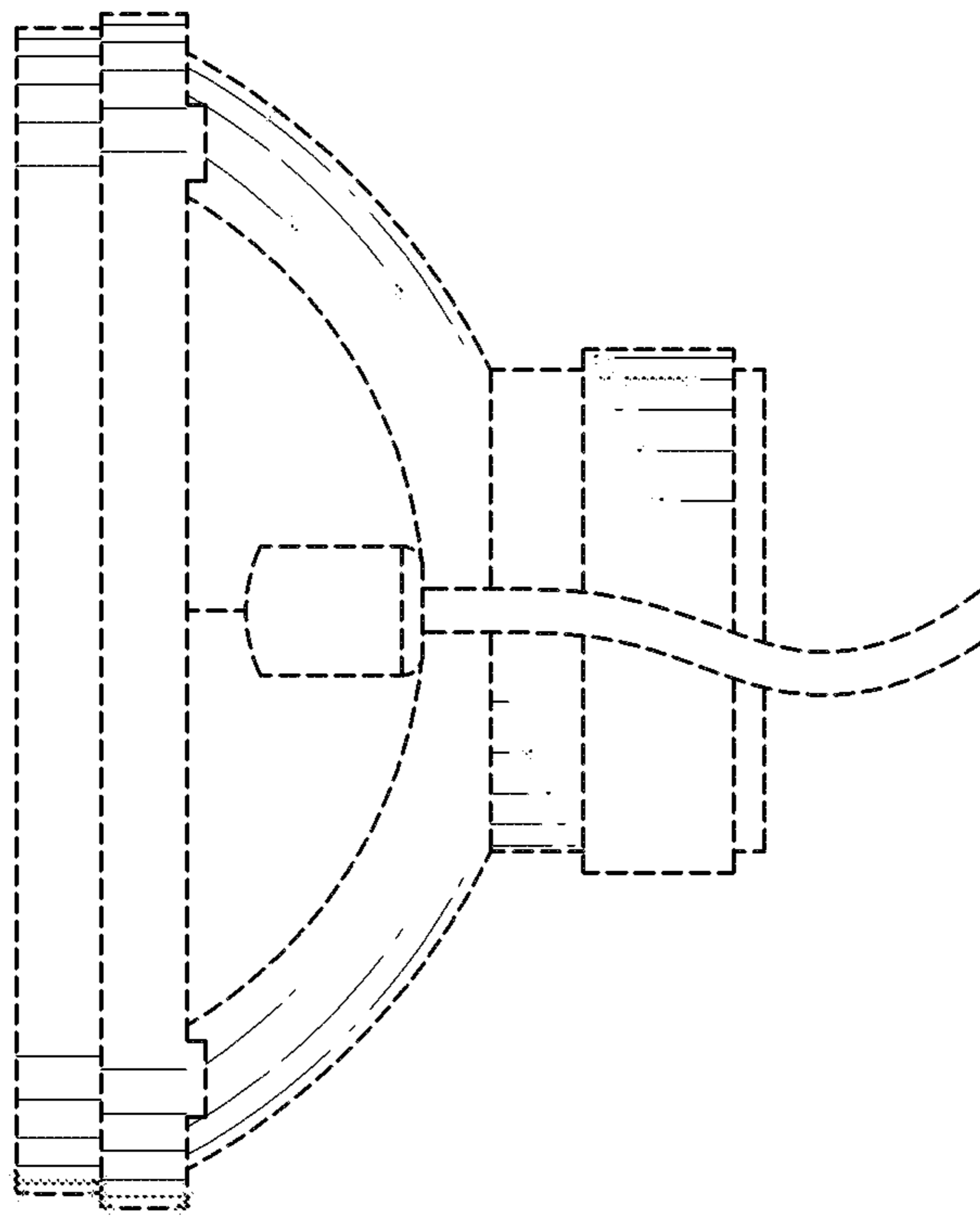


FIG. 4

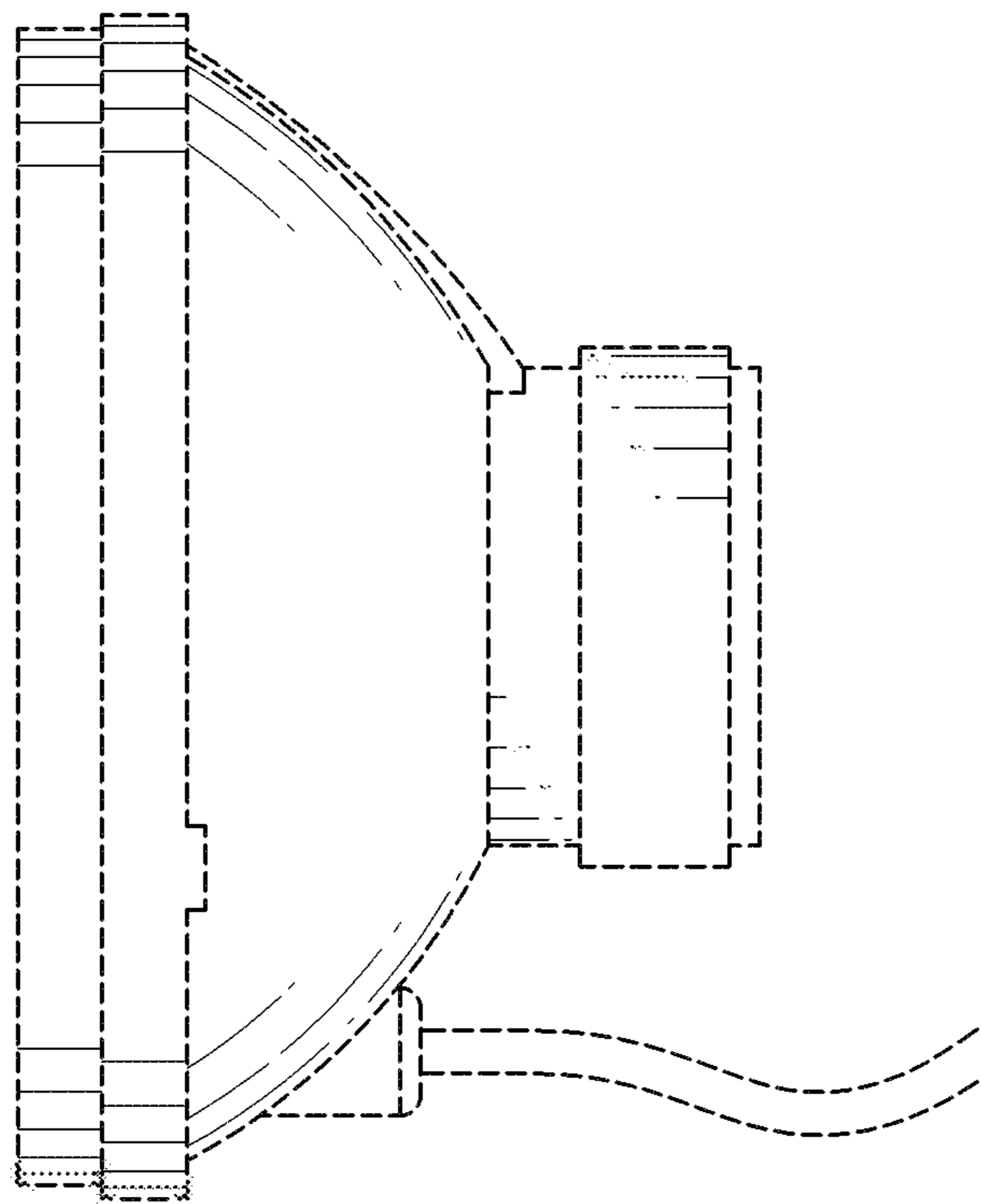


FIG. 5