



US00D723719S

(12) **United States Design Patent**  
**Liaw et al.**

(10) **Patent No.:** **US D723,719 S**  
(45) **Date of Patent:** **\*\* Mar. 3, 2015**

(54) **BULB**

(71) Applicant: **Epistar Corporation**, Hsinchu (TW)

(72) Inventors: **Been-Yu Liaw**, Hsinchu (TW);  
**Chiu-Lin Yao**, Hsinchu (TW);  
**Ming-Chi Hsu**, Hsinchu (TW); **Chang Ju Ho**, Hsinchu (TW); **Wei-Chiang Hu**, Hsinchu (TW)

(73) Assignee: **Epistar Corporation**, Hsinchu (TW)

(\*\*) Term: **14 Years**

(21) Appl. No.: **29/439,121**

(22) Filed: **Dec. 6, 2012**

(30) **Foreign Application Priority Data**

Jun. 6, 2012 (TW) ..... 101303257  
Sep. 20, 2012 (TW) ..... 101305538

(51) **LOC (10) Cl.** ..... **26-04**

(52) **U.S. Cl.**  
USPC ..... **D26/2**

(58) **Field of Classification Search**  
USPC ..... D26/1-4; 313/313, 315, 316, 317, 318,  
313/493; 315/52, 53, 56, 57, 58  
See application file for complete search history.

(56) **References Cited**

U.S. PATENT DOCUMENTS

D508,575 S \* 8/2005 Buschmann et al. .... D26/2  
D680,246 S \* 4/2013 Jang et al. .... D26/2

*Primary Examiner* — Marcus Jackson

(74) *Attorney, Agent, or Firm* — Muncy, Geissler, Olds & Lowe, P.C.

(57) **CLAIM**

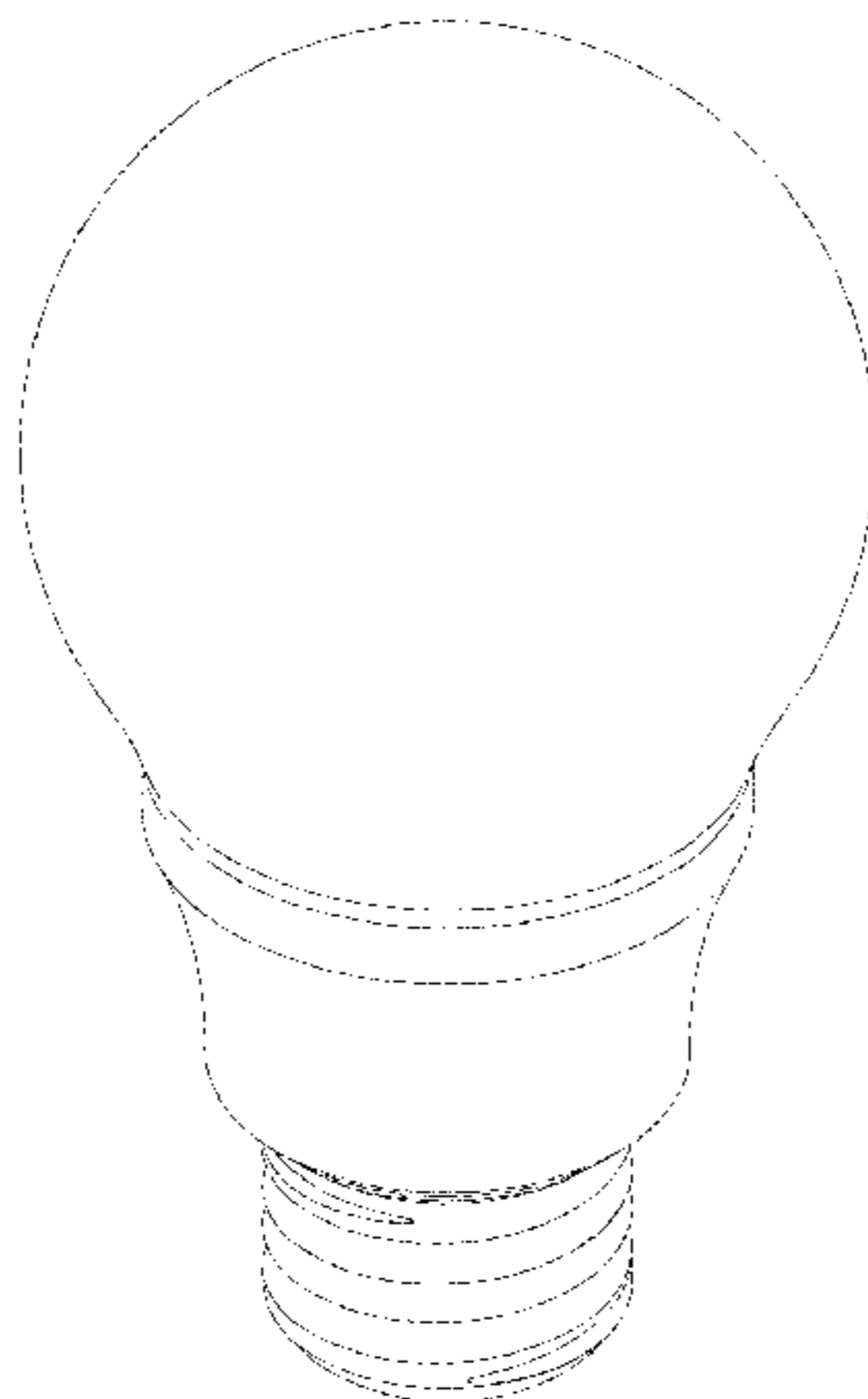
The ornamental design for a bulb, as shown and described.

**DESCRIPTION**

FIG. 1 is a top perspective view of a bulb showing our new design;

FIG. 2 is a bottom perspective view thereof;  
FIG. 3 is a front elevational view thereof;  
FIG. 4 is a rear elevational view thereof;  
FIG. 5 is a left side view thereof;  
FIG. 6 is a right side view thereof;  
FIG. 7 is a top plan view thereof; and  
FIG. 8 is a bottom plan view thereof;  
FIG. 9 is a top perspective view of a bulb showing a second embodiment of our new design;  
FIG. 10 is a bottom perspective view thereof;  
FIG. 11 is a front elevational view thereof;  
FIG. 12 is a rear elevational view thereof;  
FIG. 13 is a left side view thereof;  
FIG. 14 is a right side view thereof;  
FIG. 15 is a top plan view thereof; and  
FIG. 16 is a bottom plan view thereof;  
FIG. 17 is a top perspective view of a bulb showing a third embodiment of our new design;  
FIG. 18 is a bottom perspective view thereof;  
FIG. 19 is a front elevational view thereof;  
FIG. 20 is a rear elevational view thereof;  
FIG. 21 is a left side view thereof;  
FIG. 22 is a right side view thereof;  
FIG. 23 is a top plan view thereof; and  
FIG. 24 is a bottom plan view thereof;  
FIG. 25 is a top perspective view of a bulb showing a fourth embodiment of our new design;  
FIG. 26 is a bottom perspective view thereof;  
FIG. 27 is a front elevational view thereof;  
FIG. 28 is a rear elevational view thereof;  
FIG. 29 is a left side view thereof;  
FIG. 30 is a right side view thereof;  
FIG. 31 is a top plan view thereof; and  
FIG. 32 is a bottom plan view thereof;  
FIG. 33 is a top perspective view of a bulb showing a fifth embodiment of our new design;  
FIG. 34 is a bottom perspective view thereof;  
FIG. 35 is a front elevational view thereof;  
FIG. 36 is a rear elevational view thereof;  
FIG. 37 is a left side view thereof;  
FIG. 38 is a right side view thereof;  
FIG. 39 is a top plan view thereof; and,  
FIG. 40 is a bottom plan view thereof.

**1 Claim, 35 Drawing Sheets**



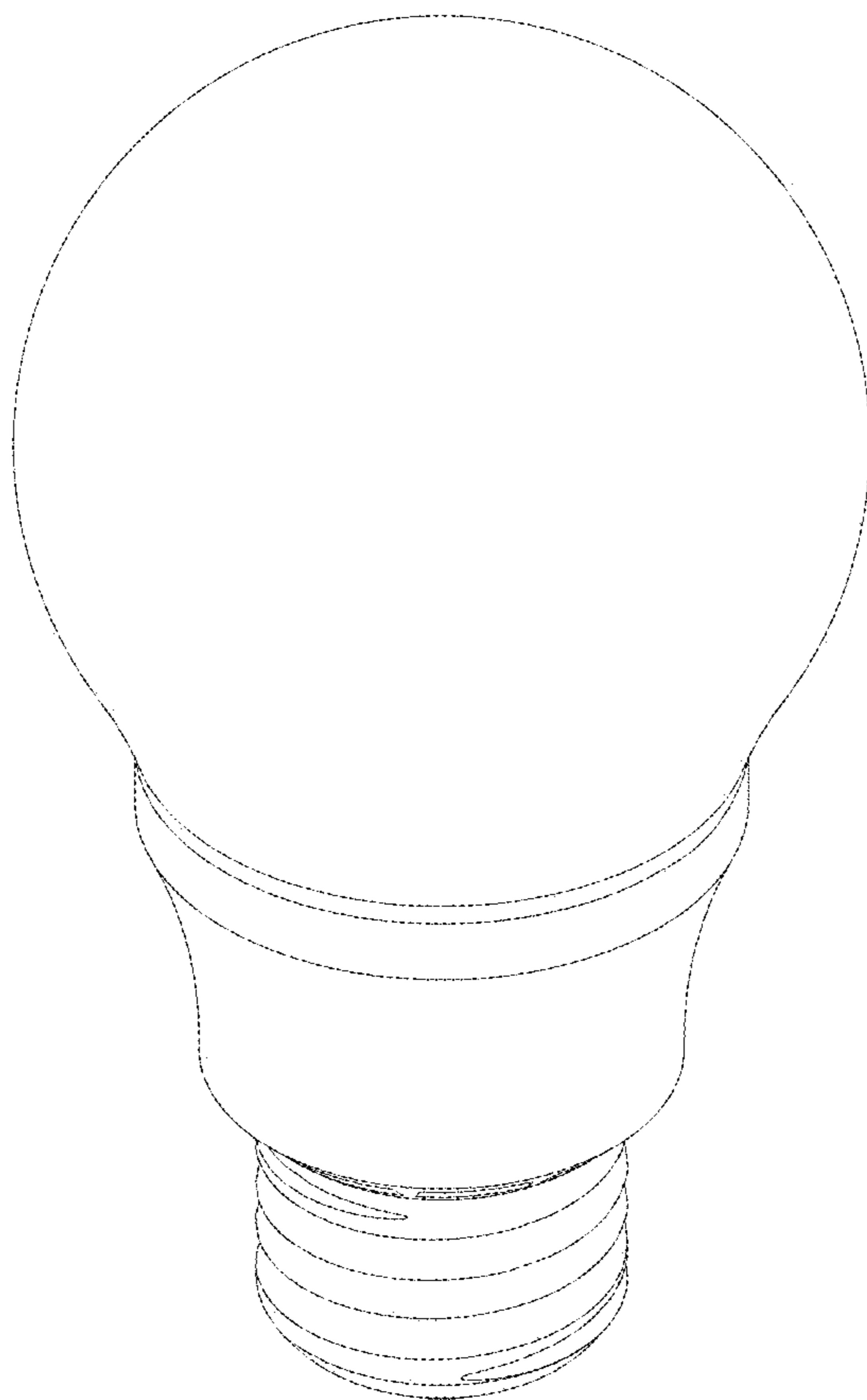


FIG. 1

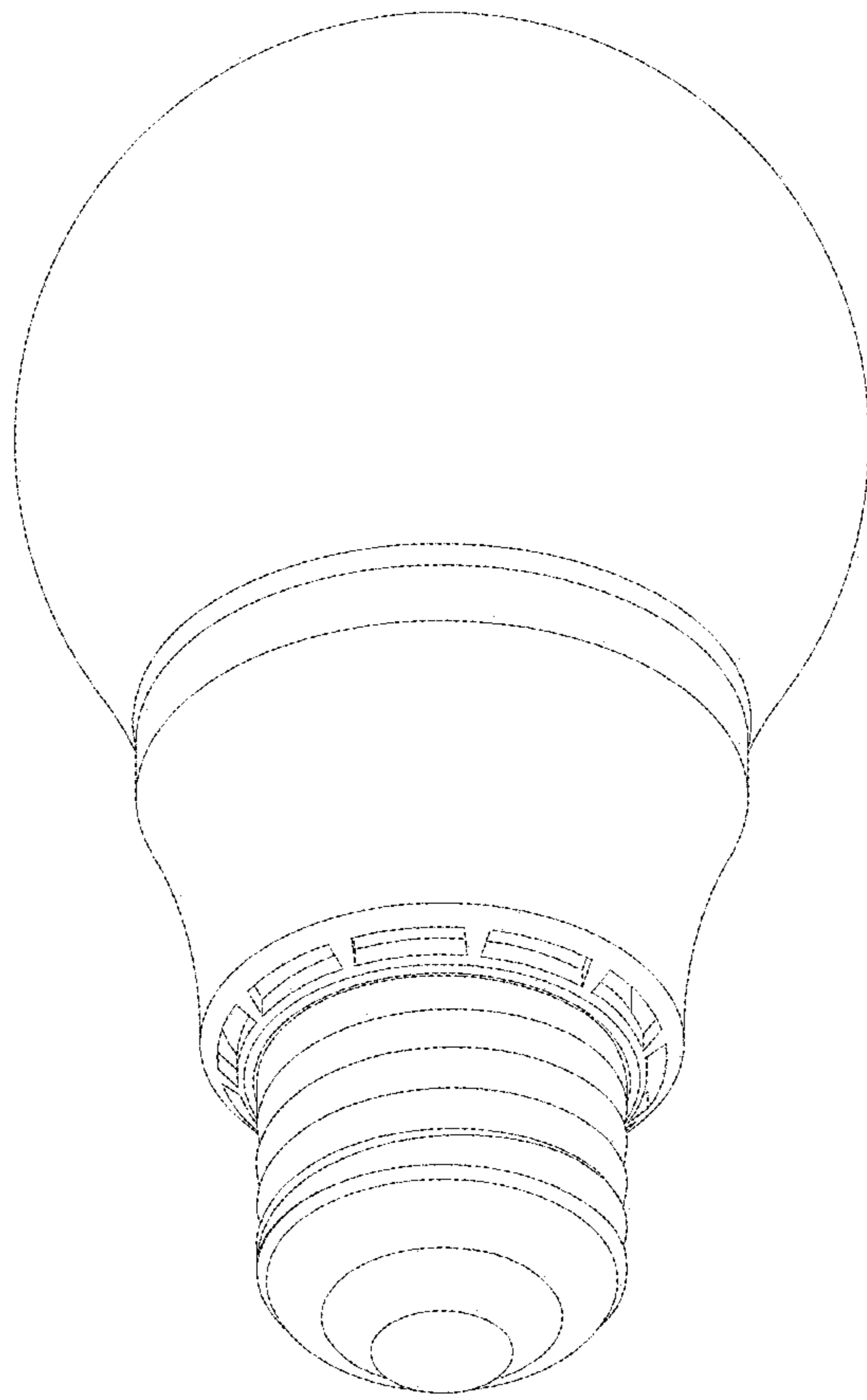


FIG. 2

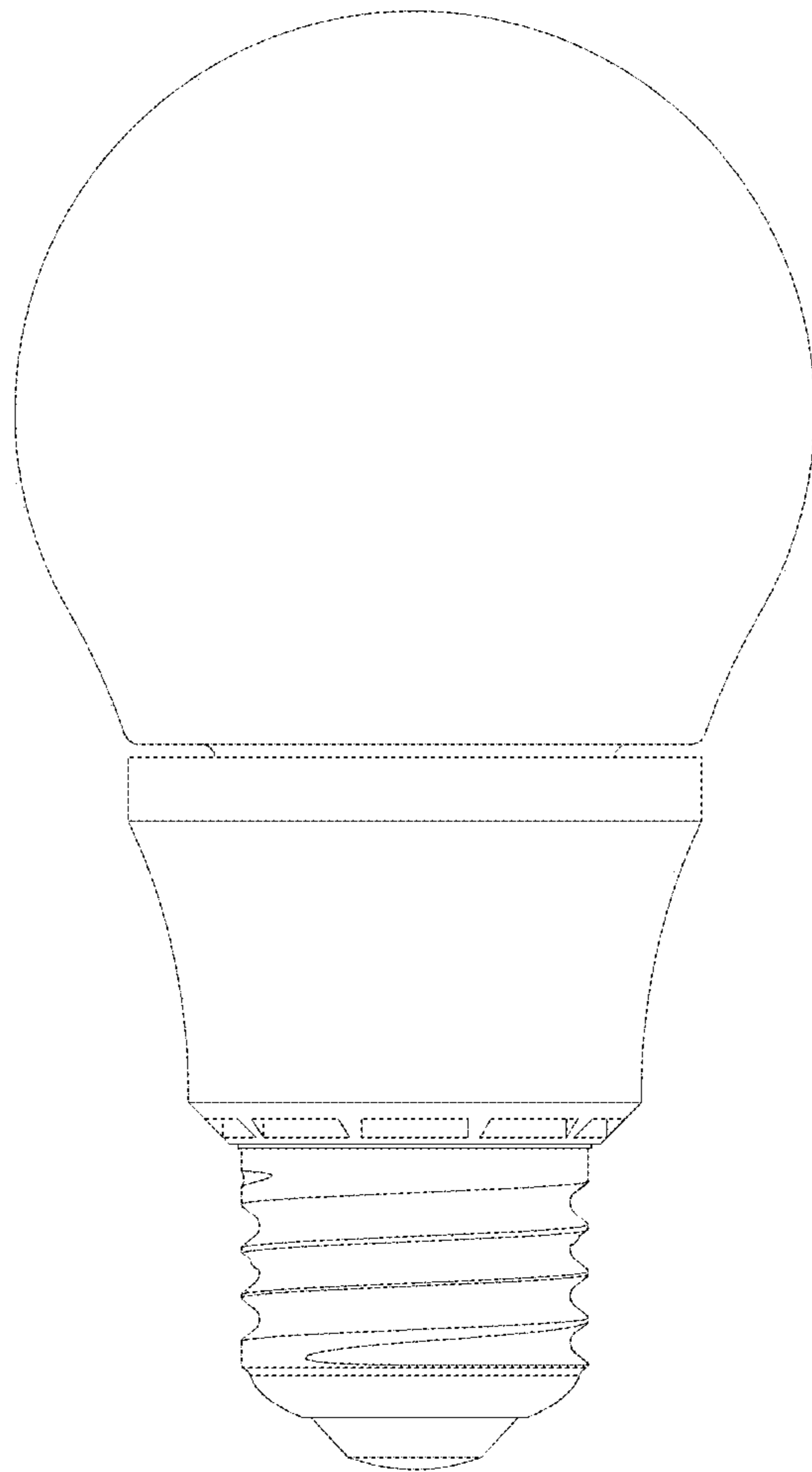


FIG. 3

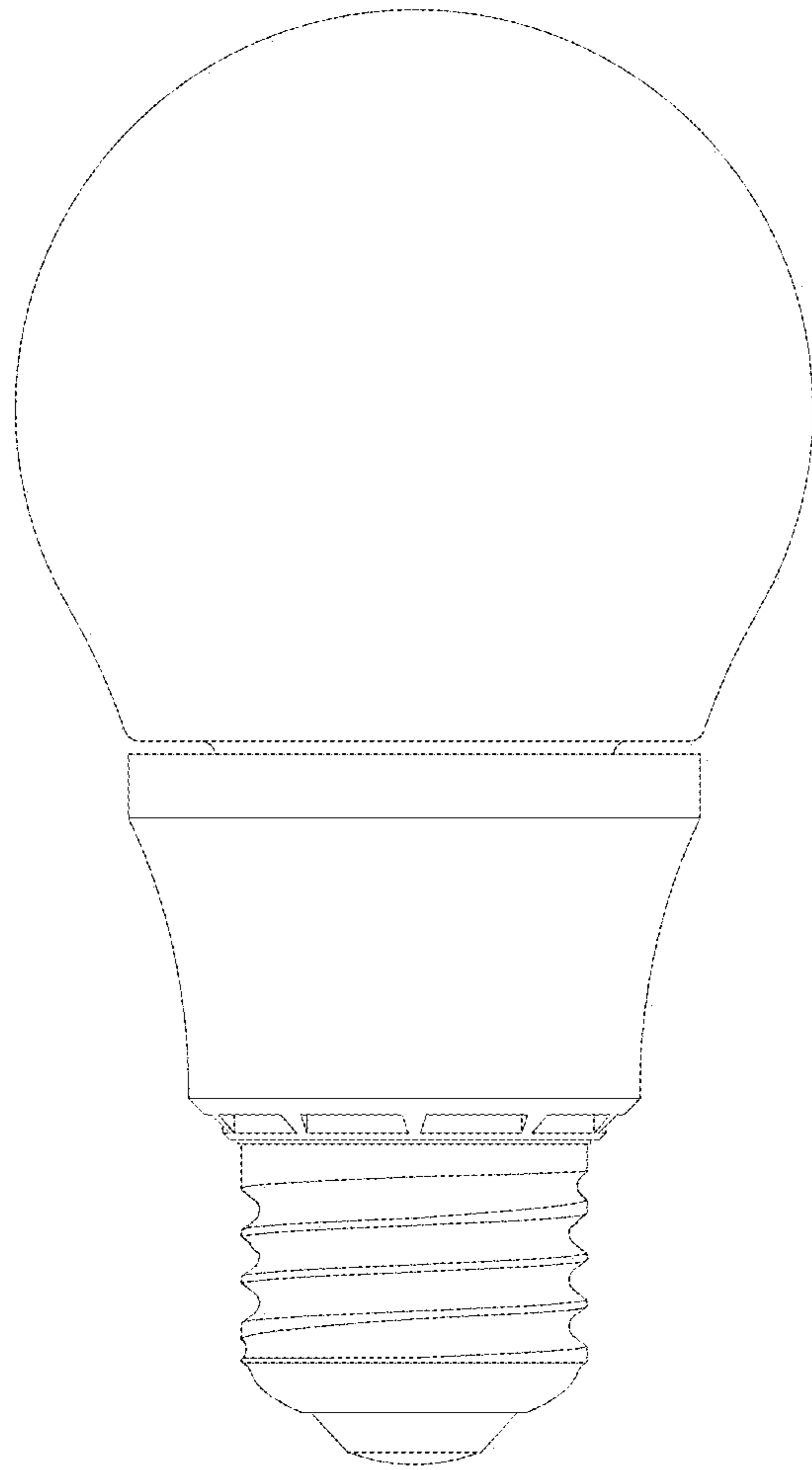


FIG. 4

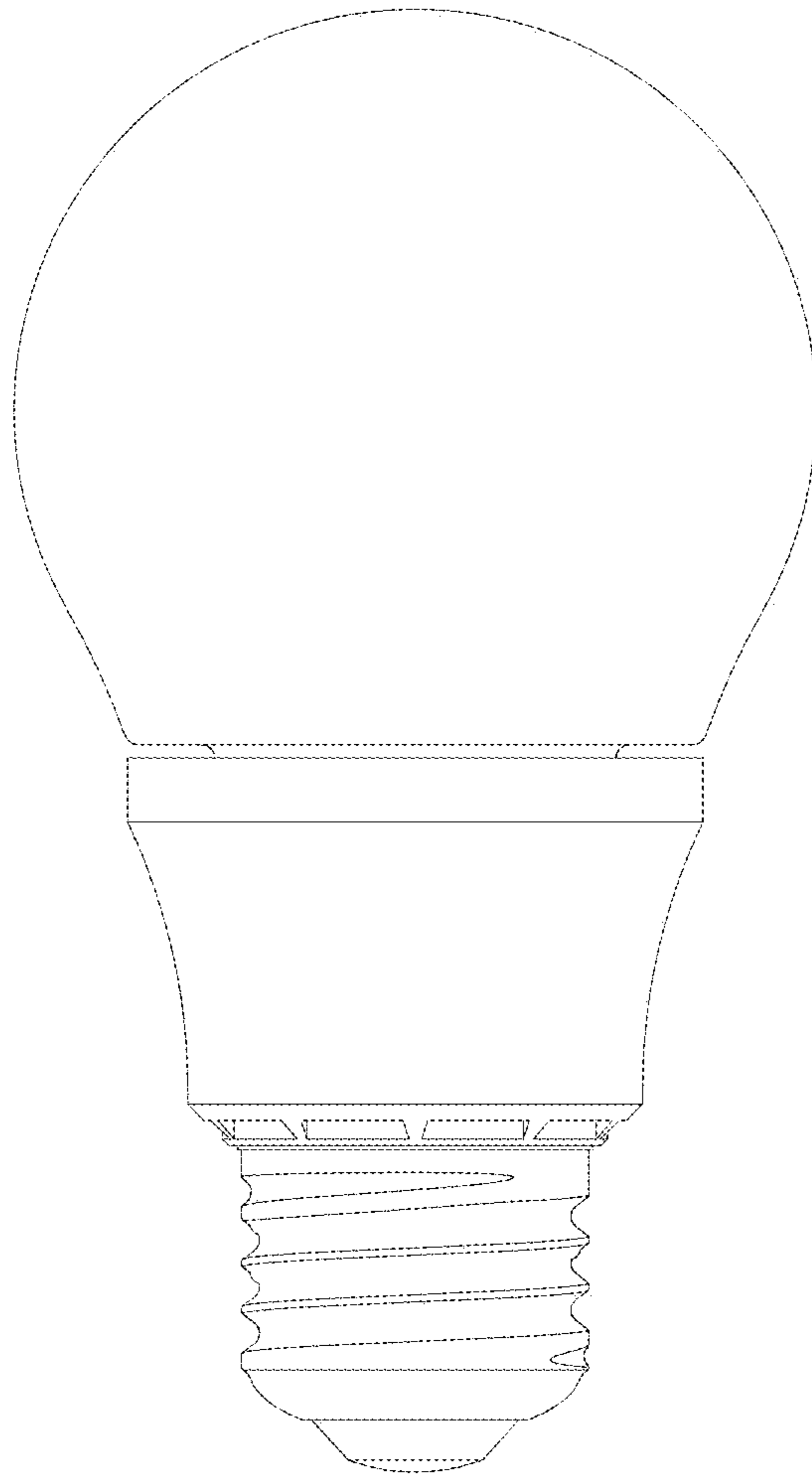


FIG. 5

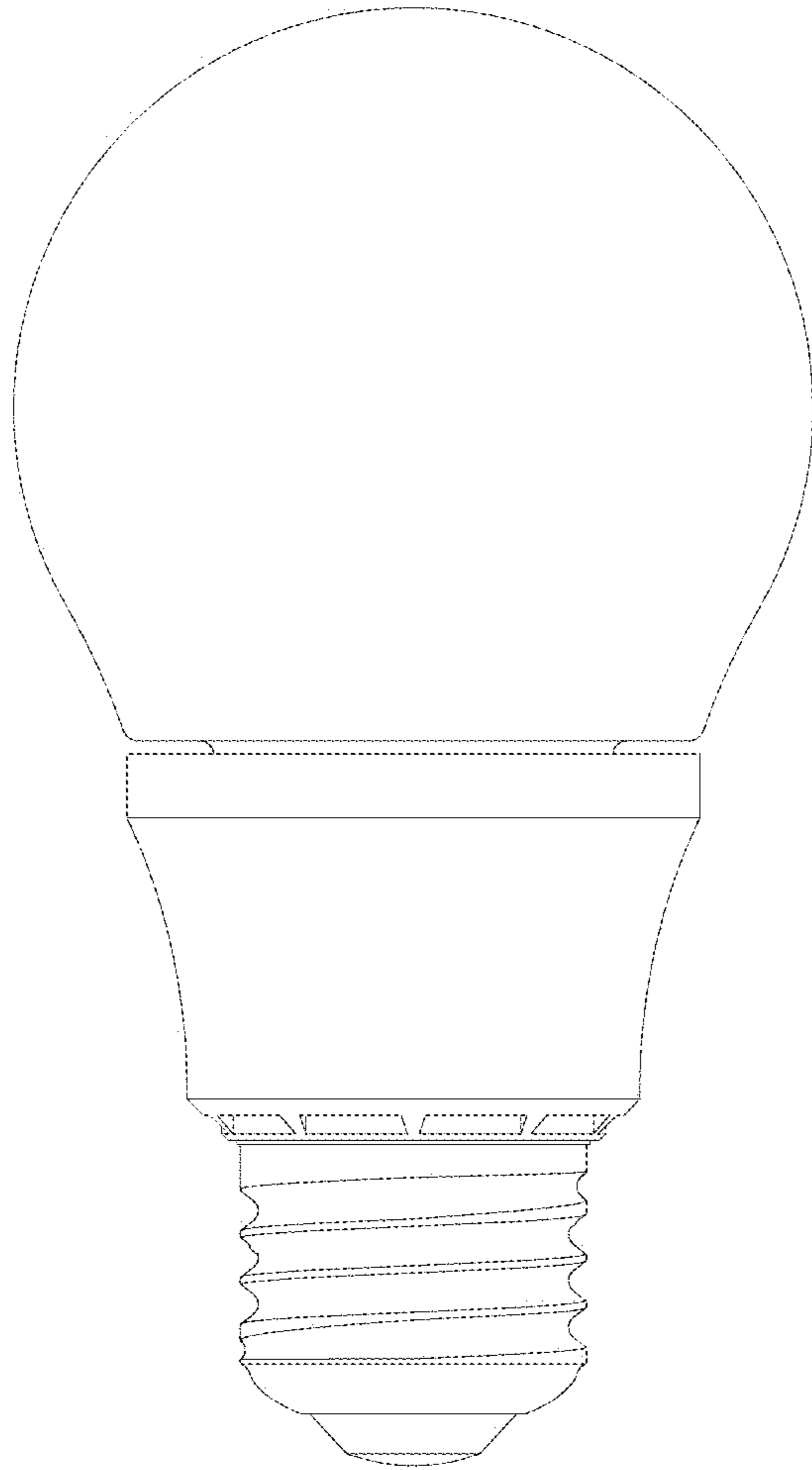


FIG. 6

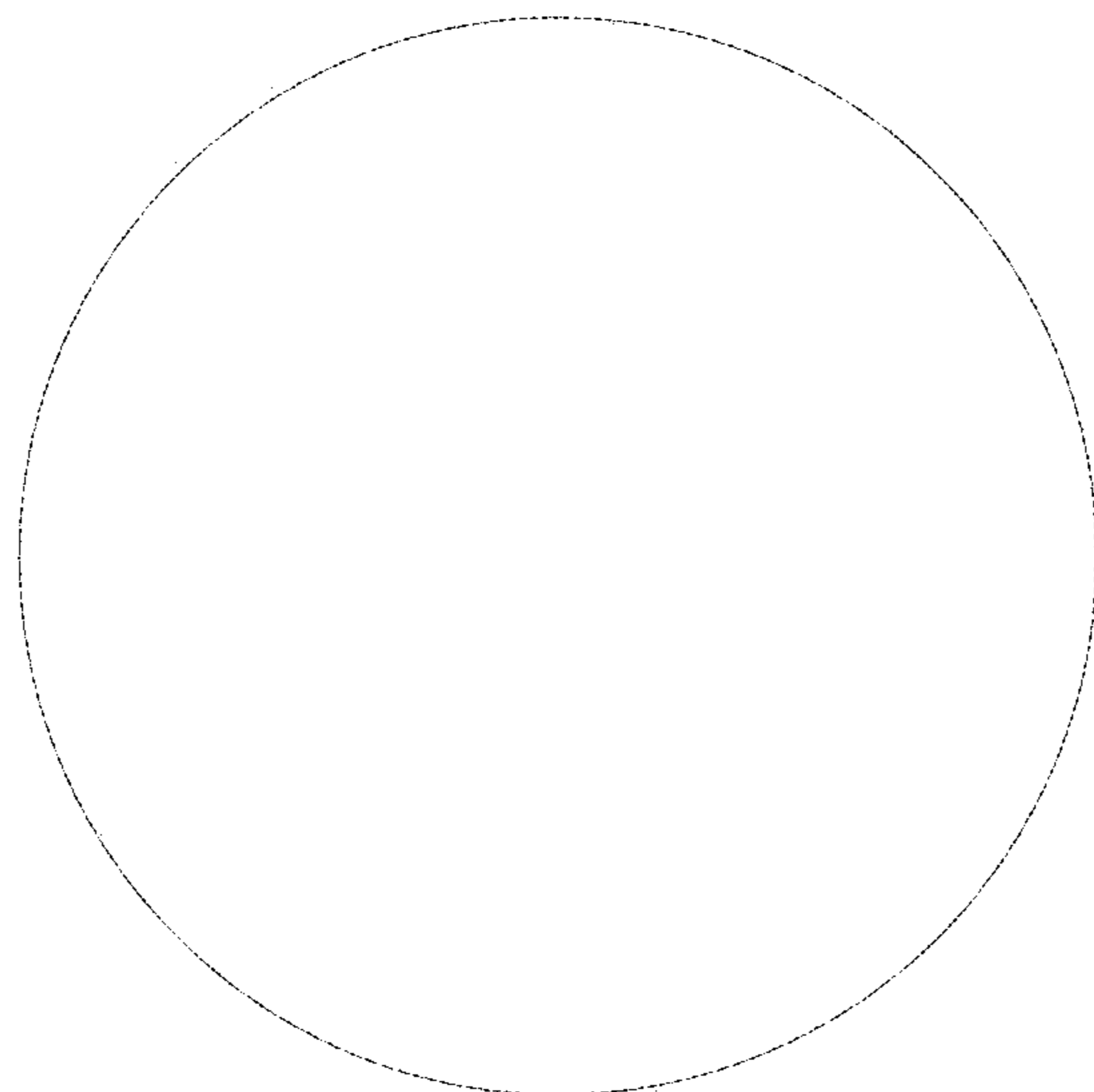


FIG. 7

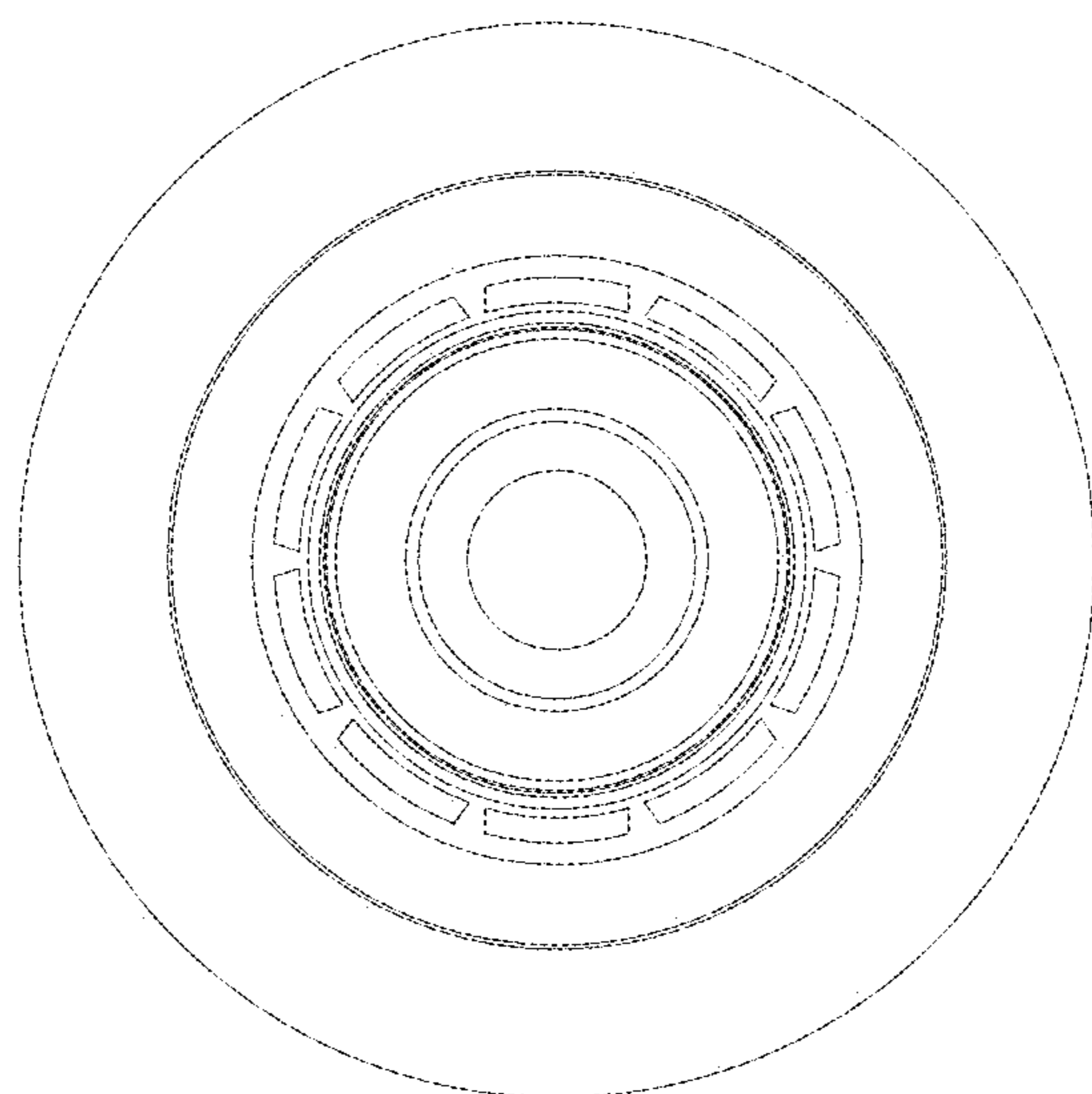


FIG. 8



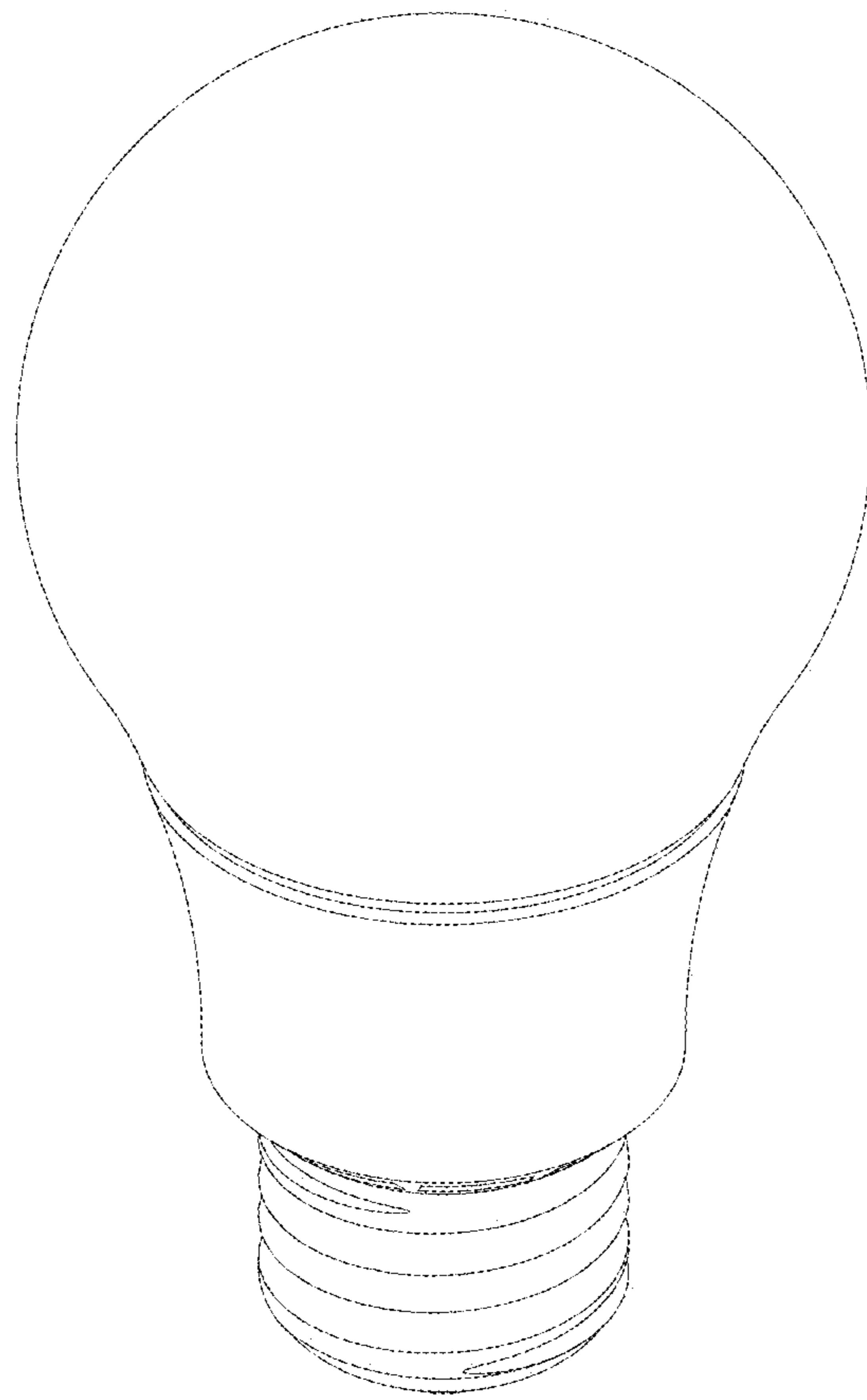


FIG. 9

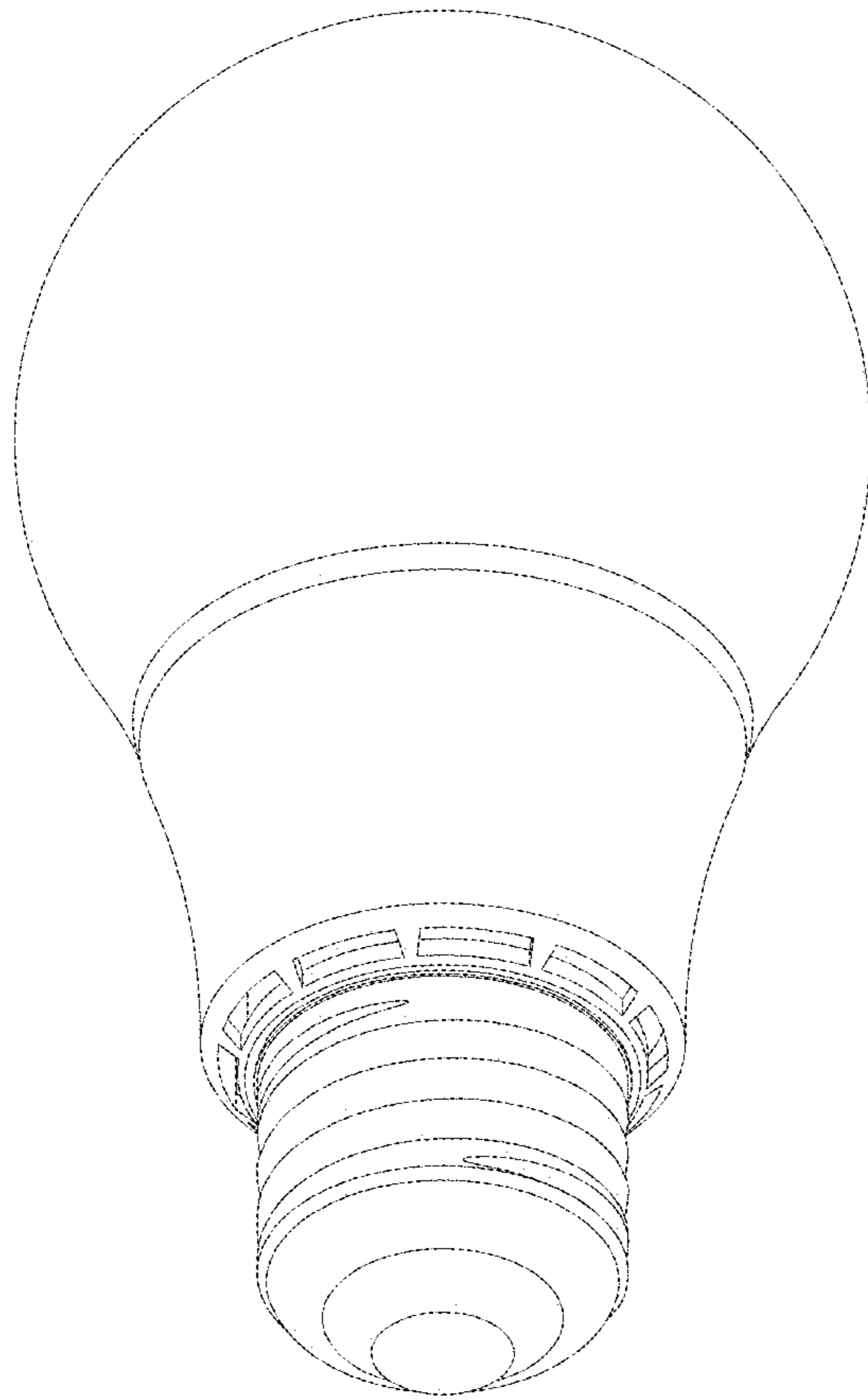


FIG. 10

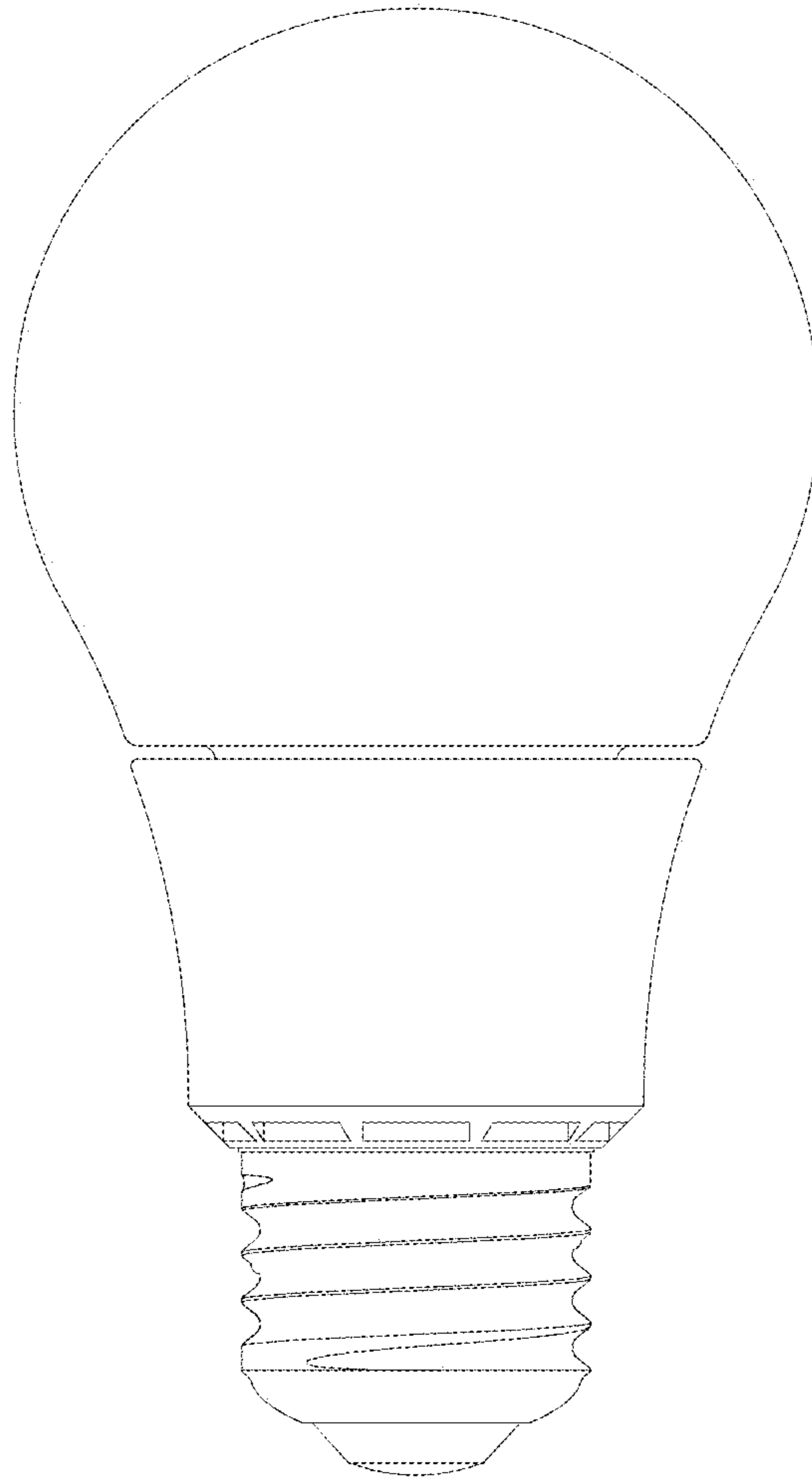


FIG. 11

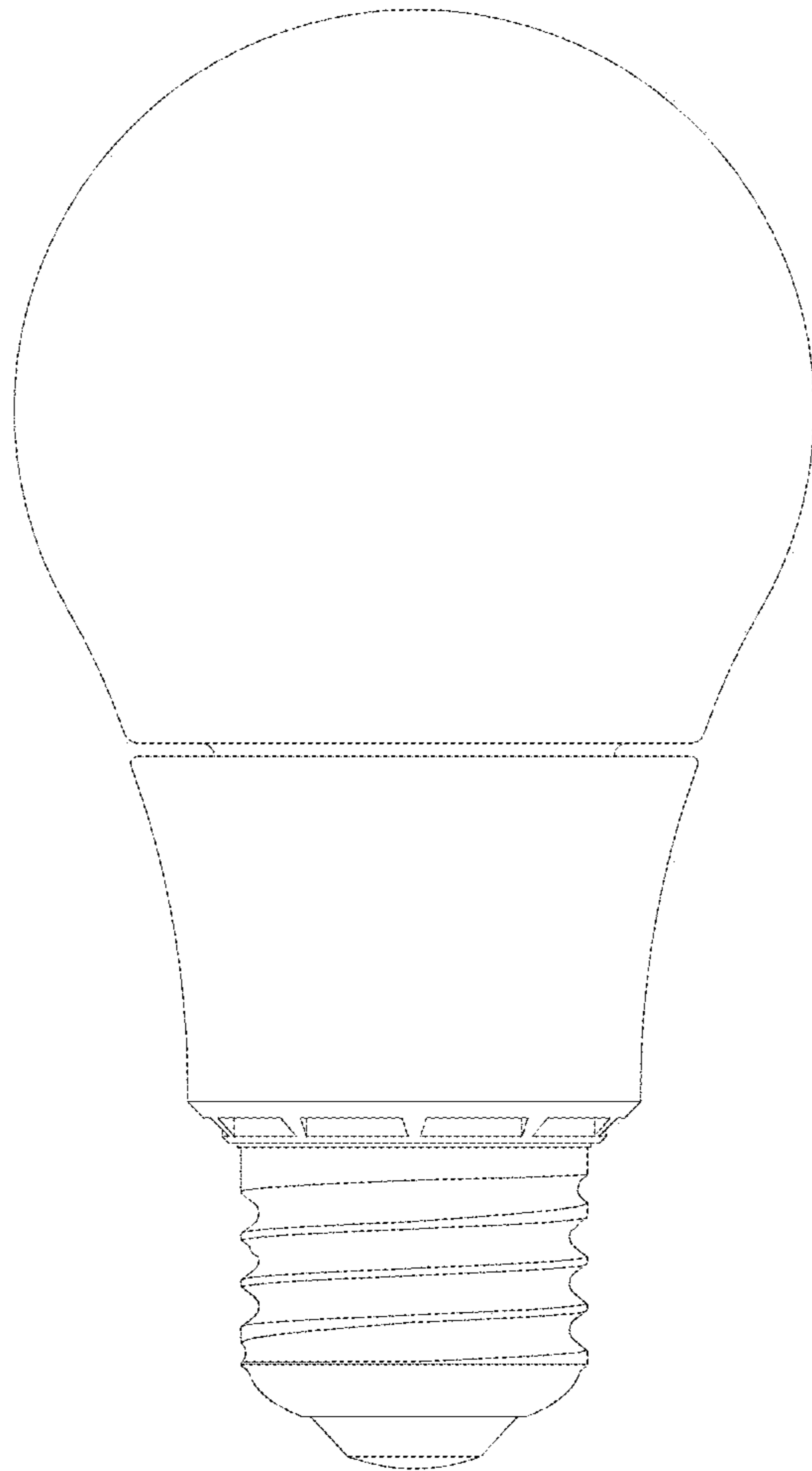


FIG. 12

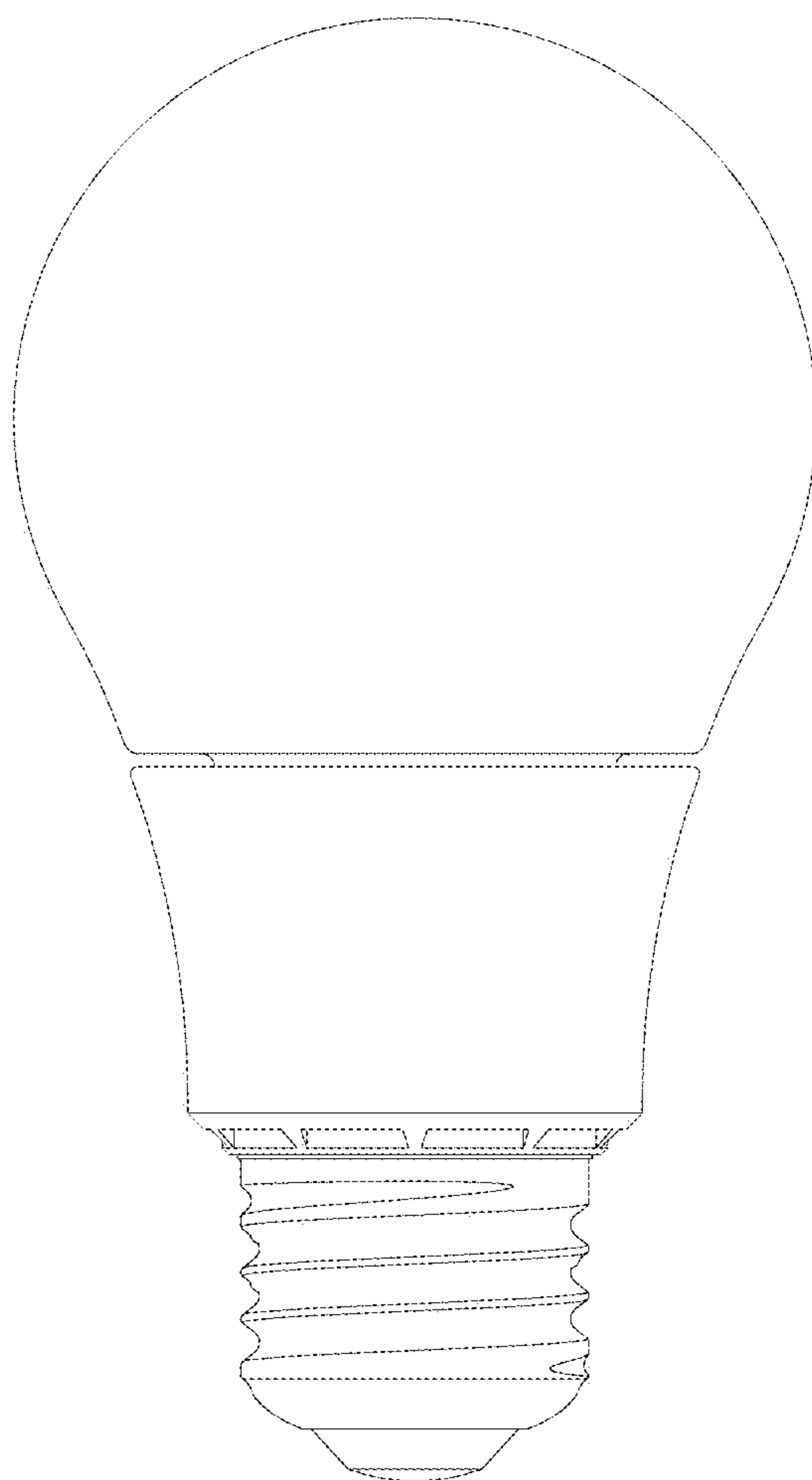


FIG. 13

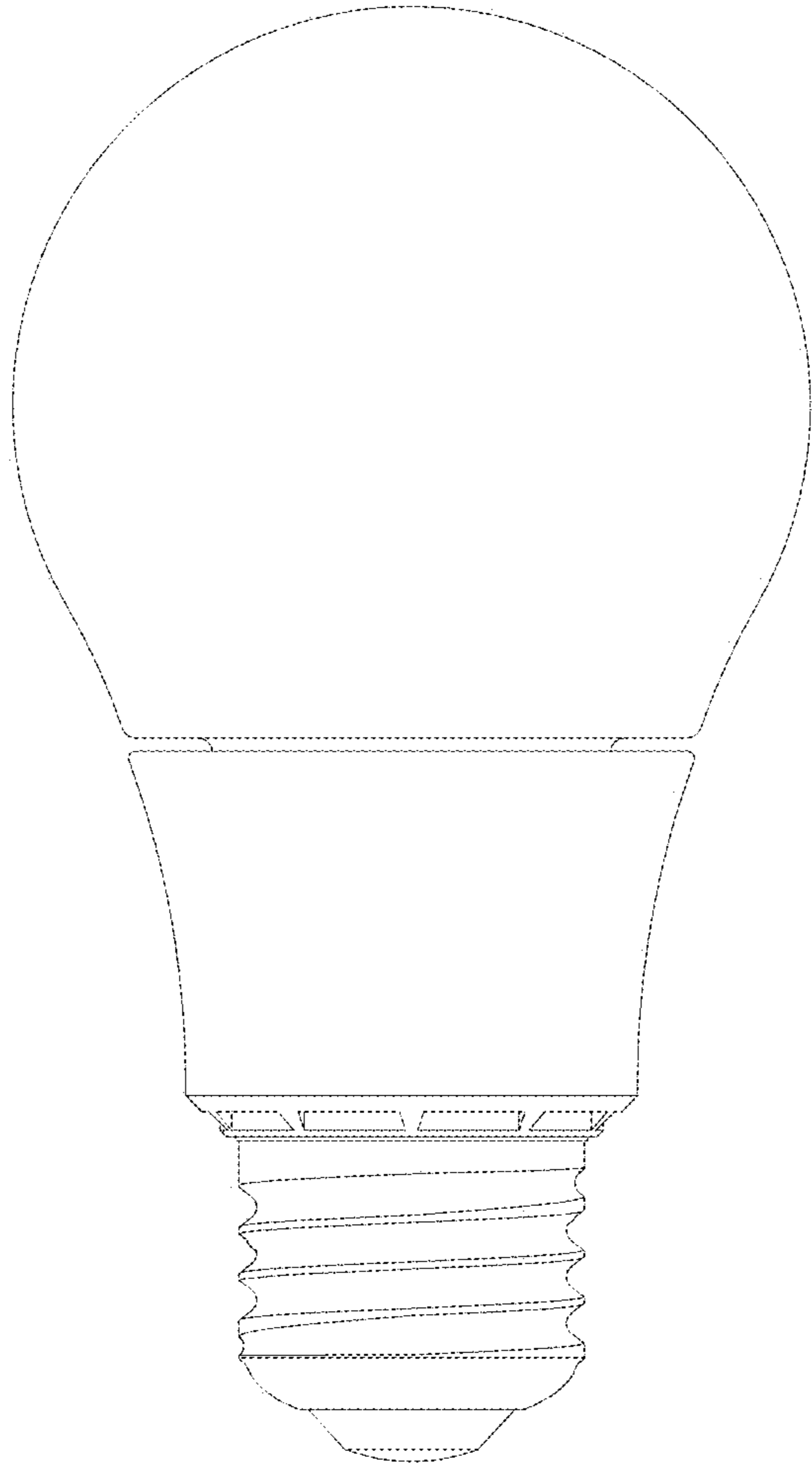


FIG. 14

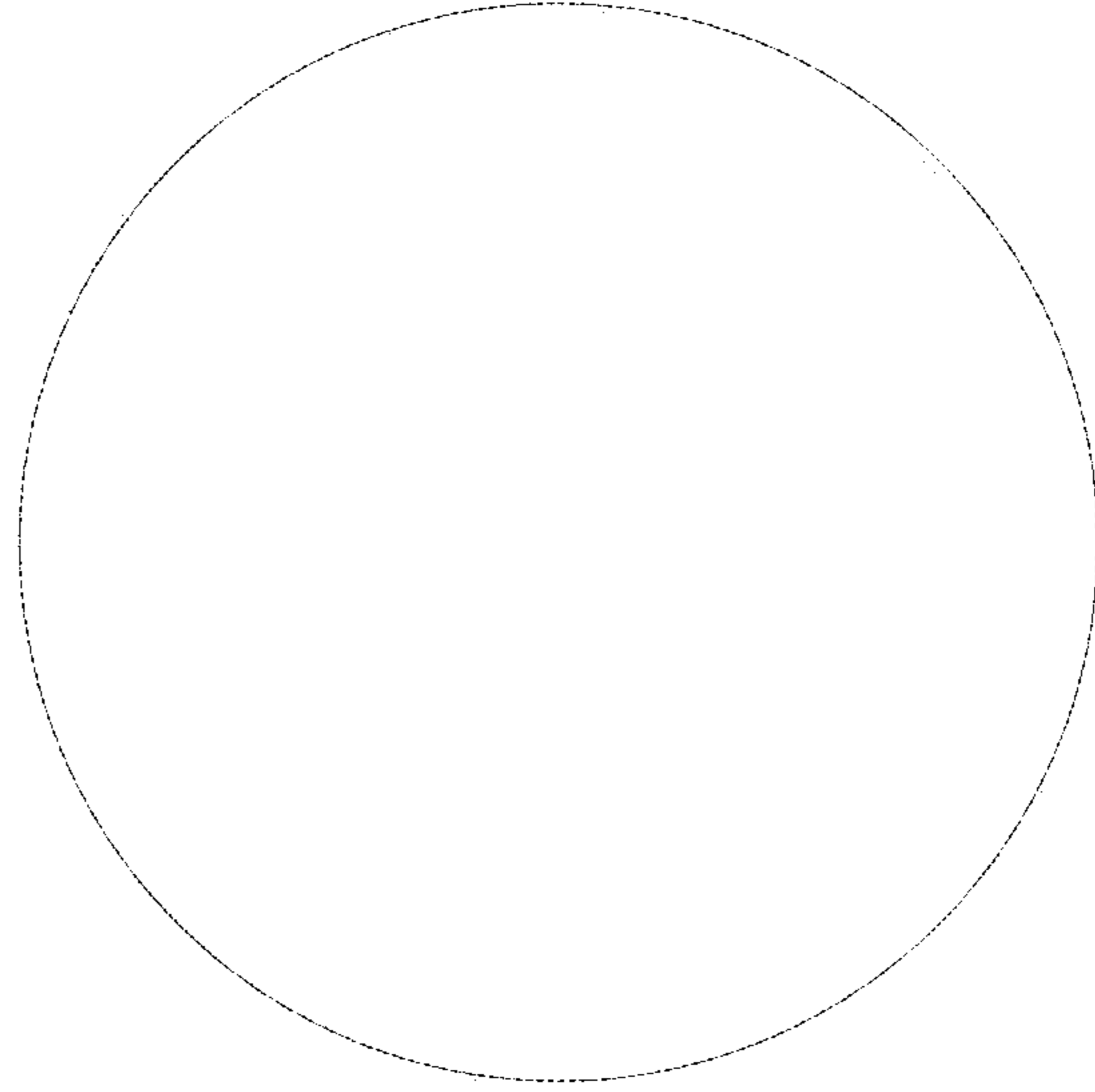


FIG. 15

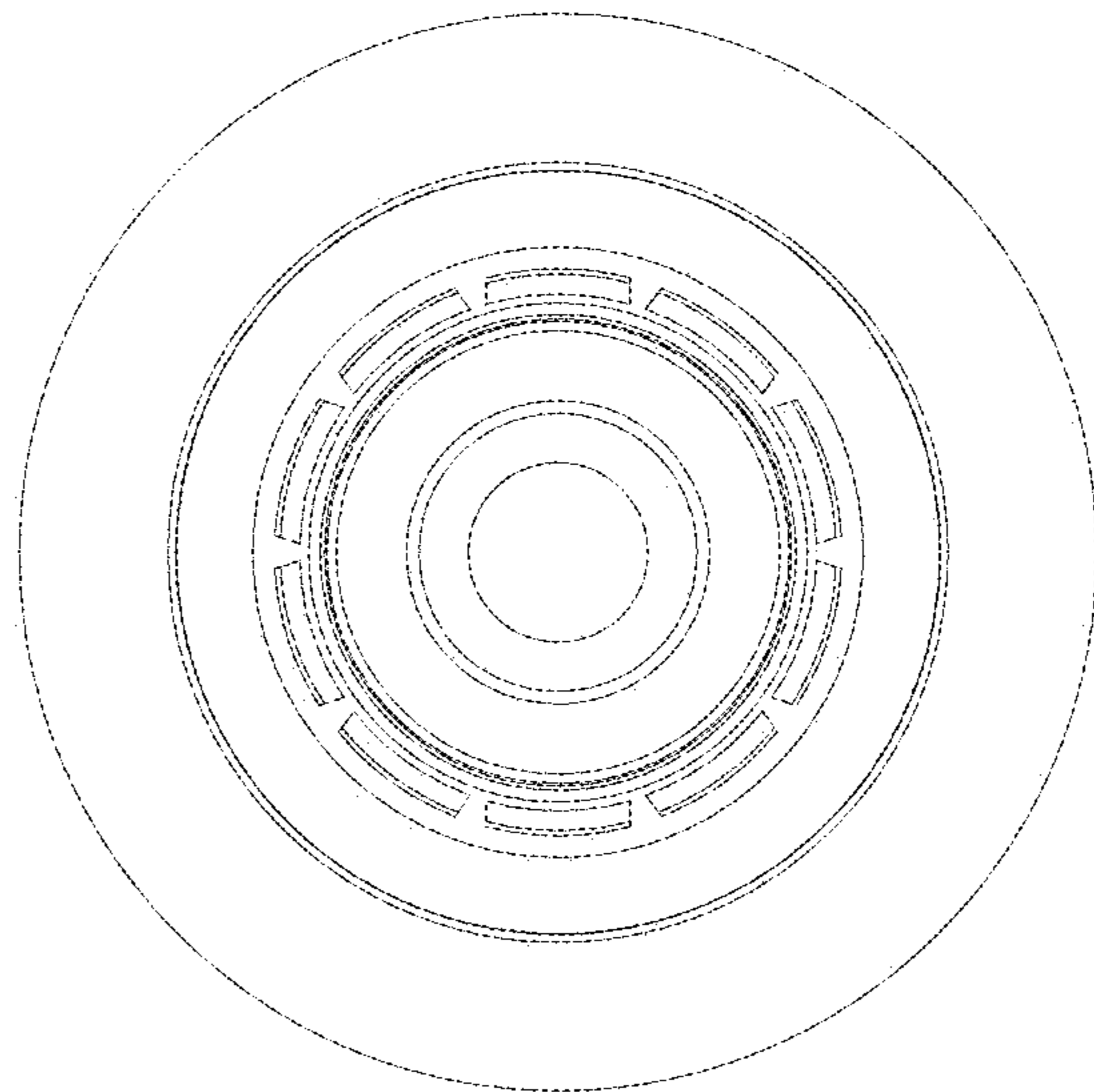


FIG. 16

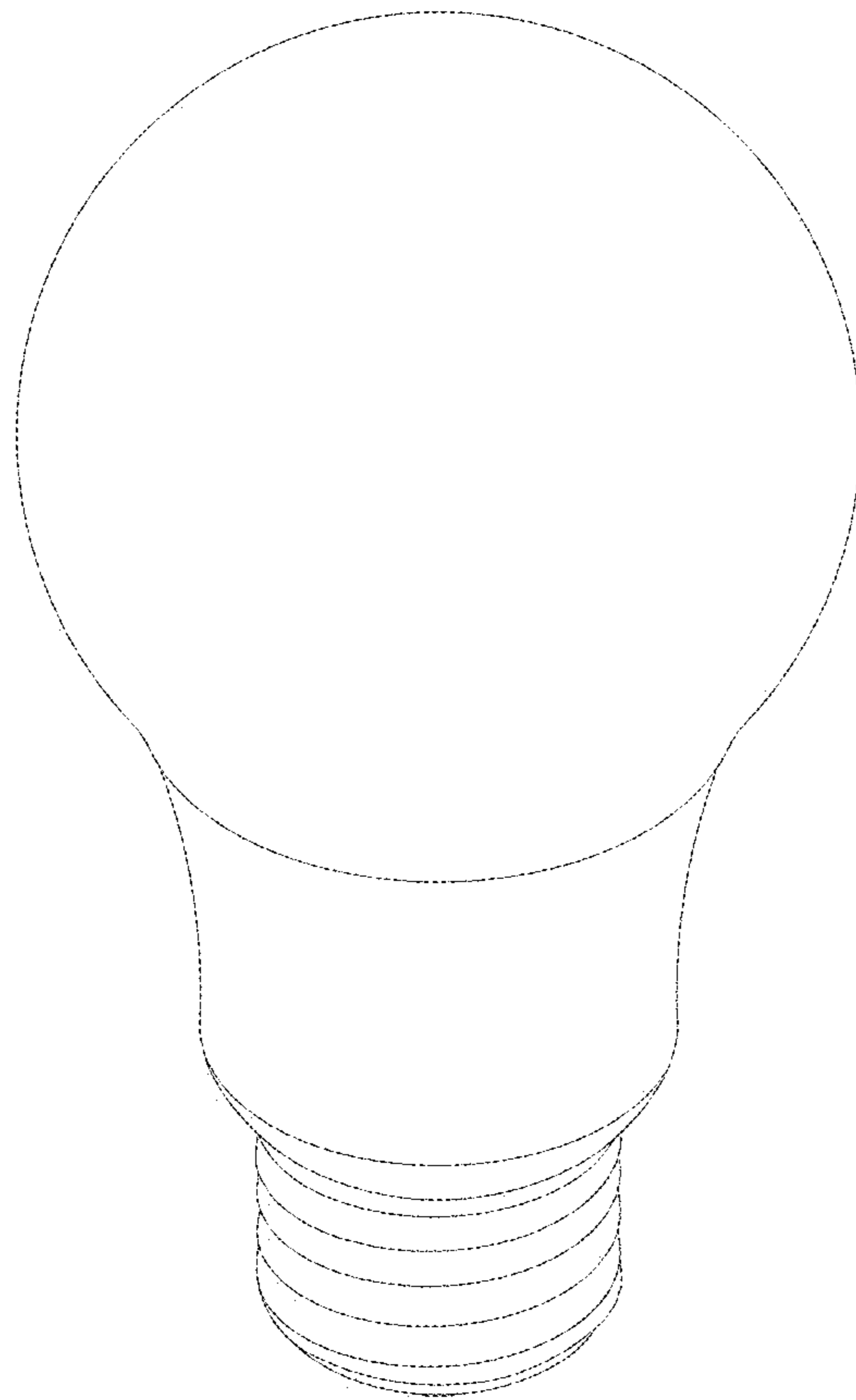


FIG. 17



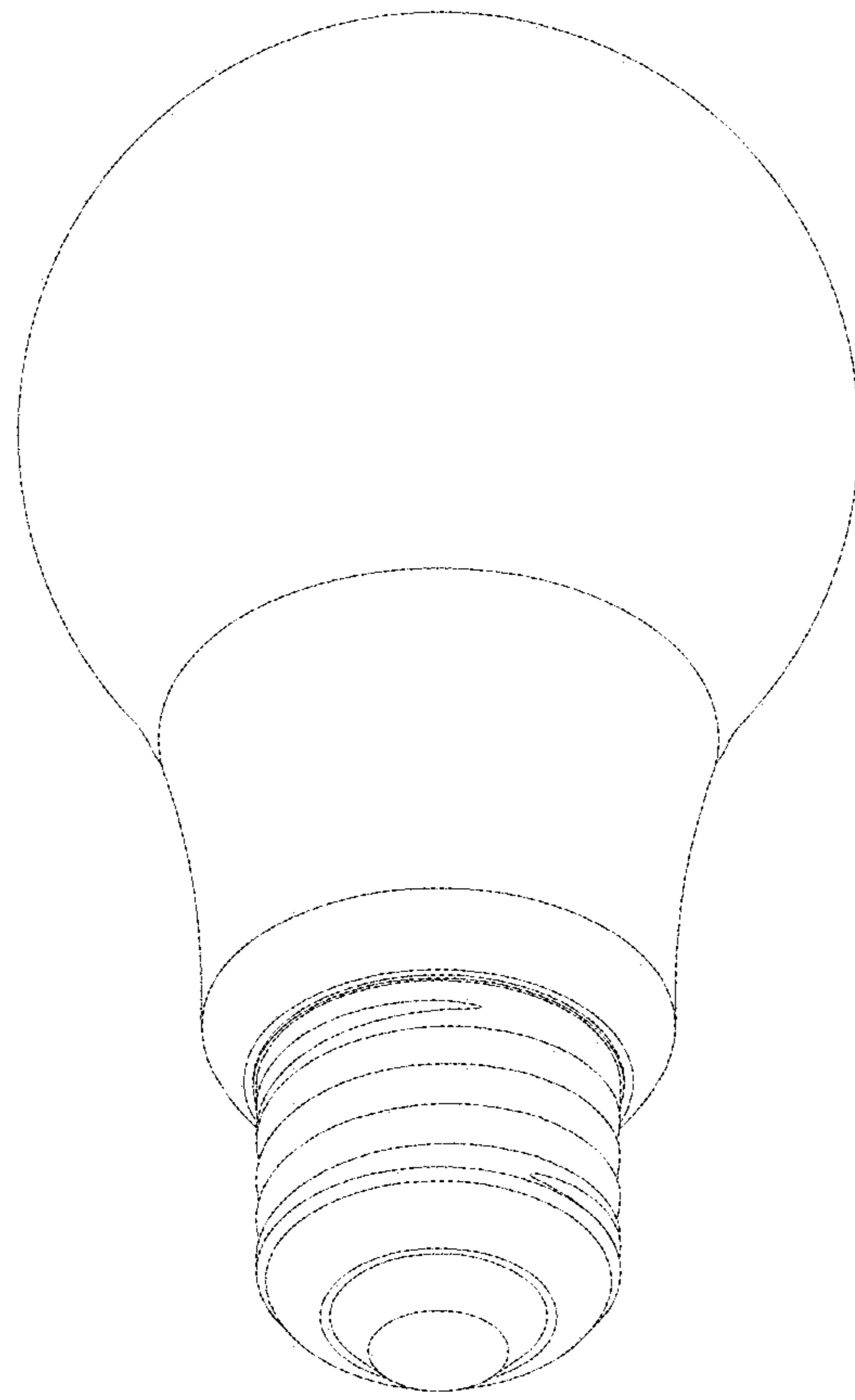


FIG. 18

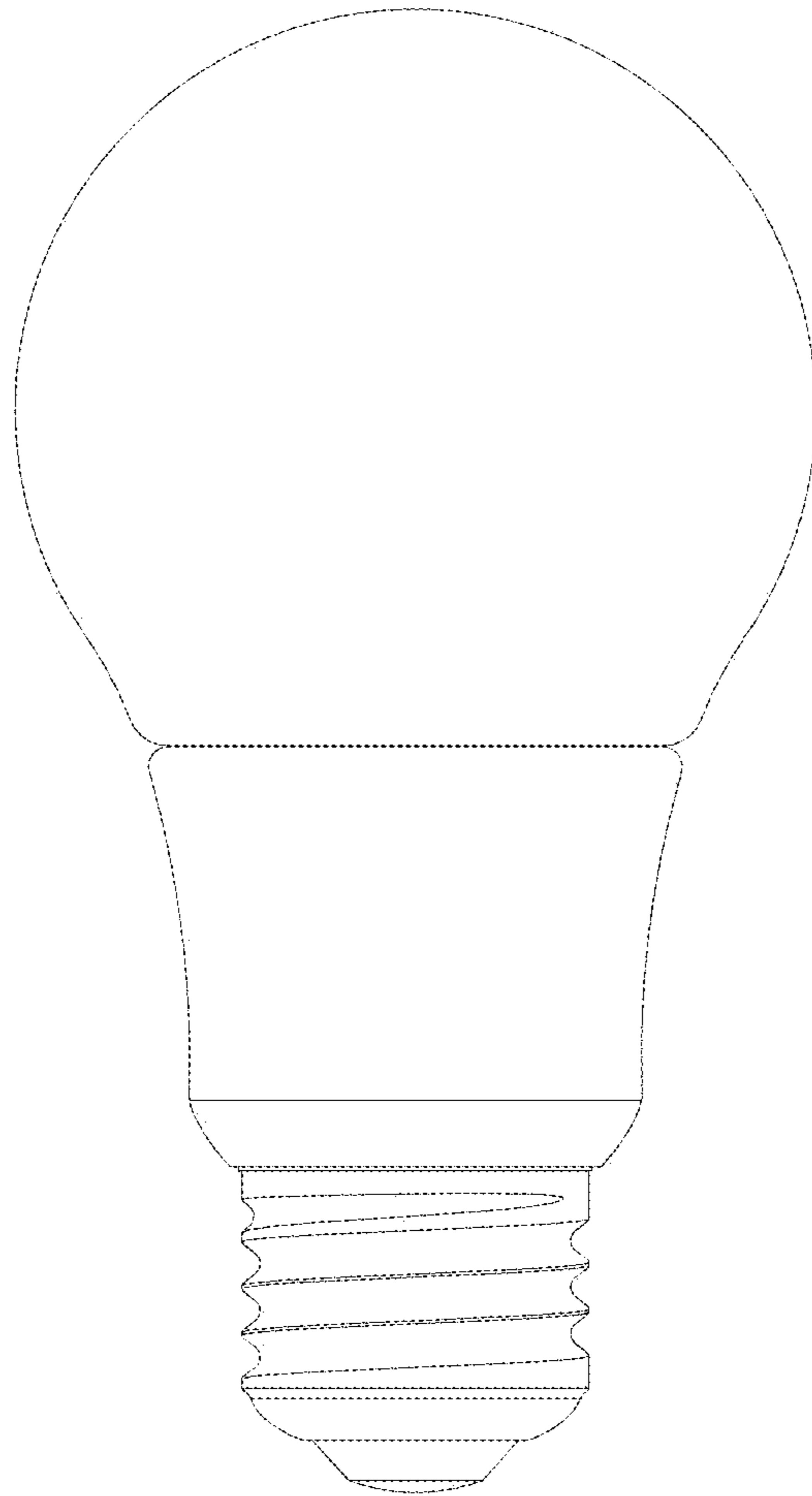


FIG. 19

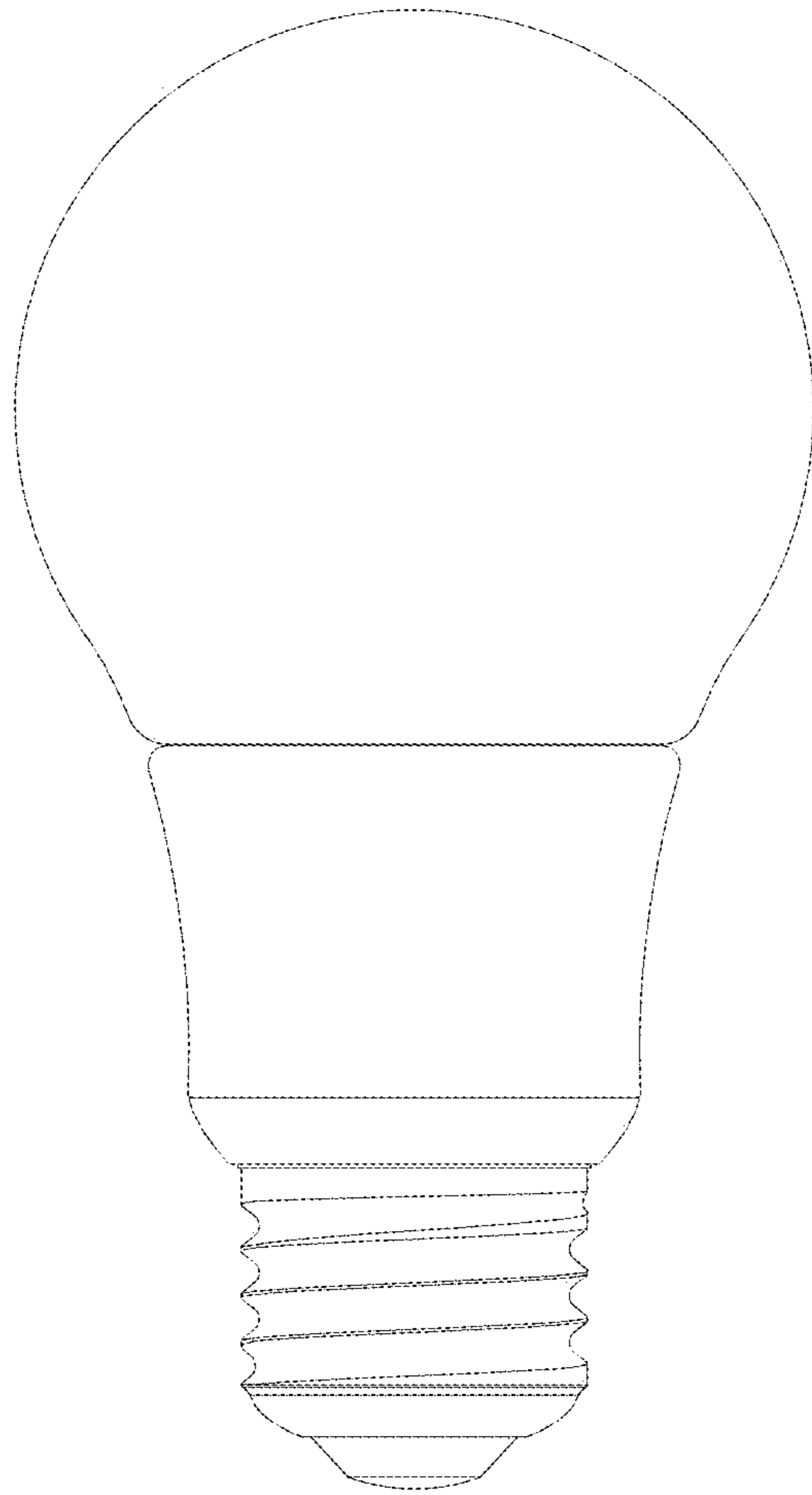


FIG. 20

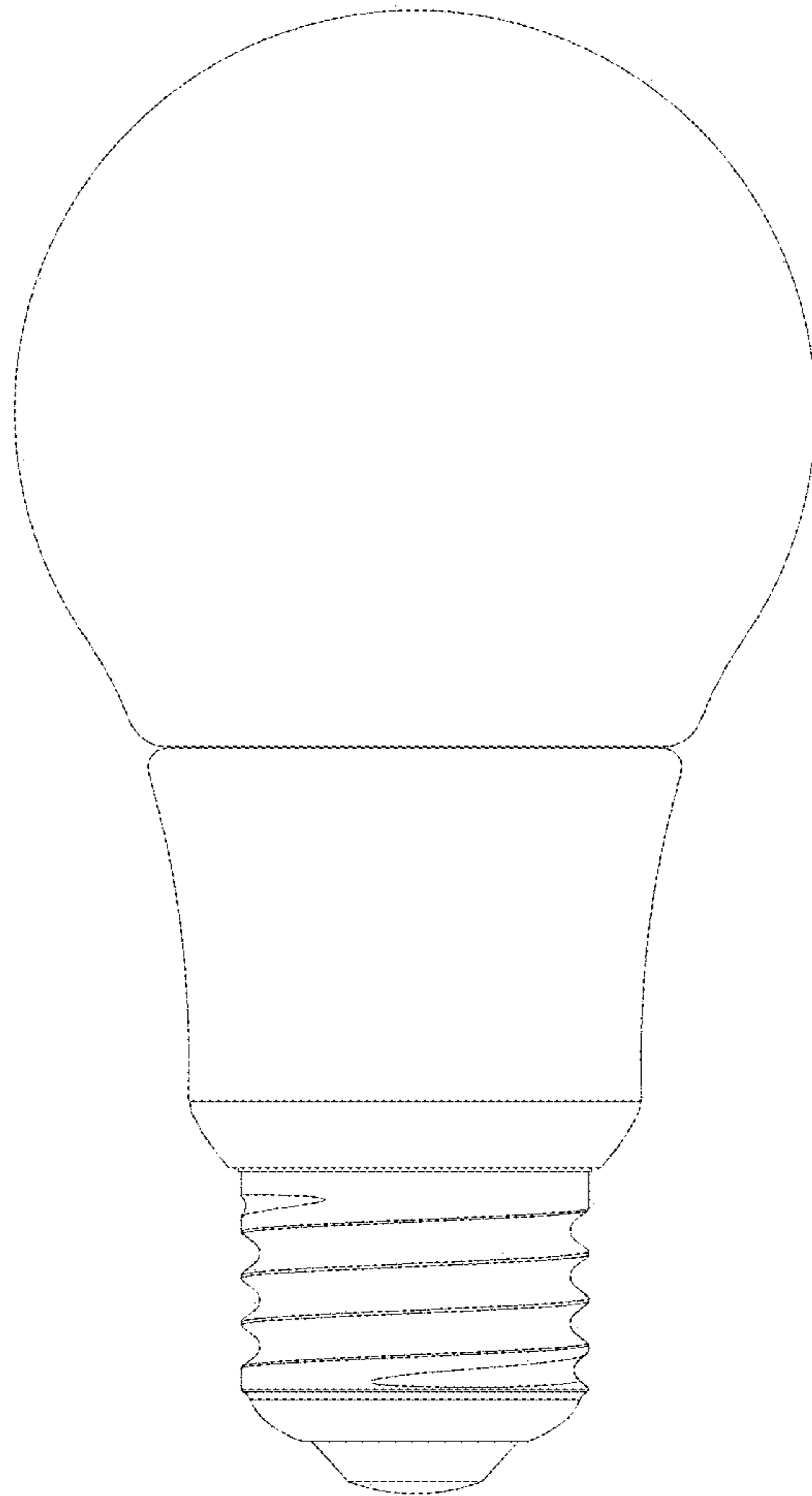


FIG. 21

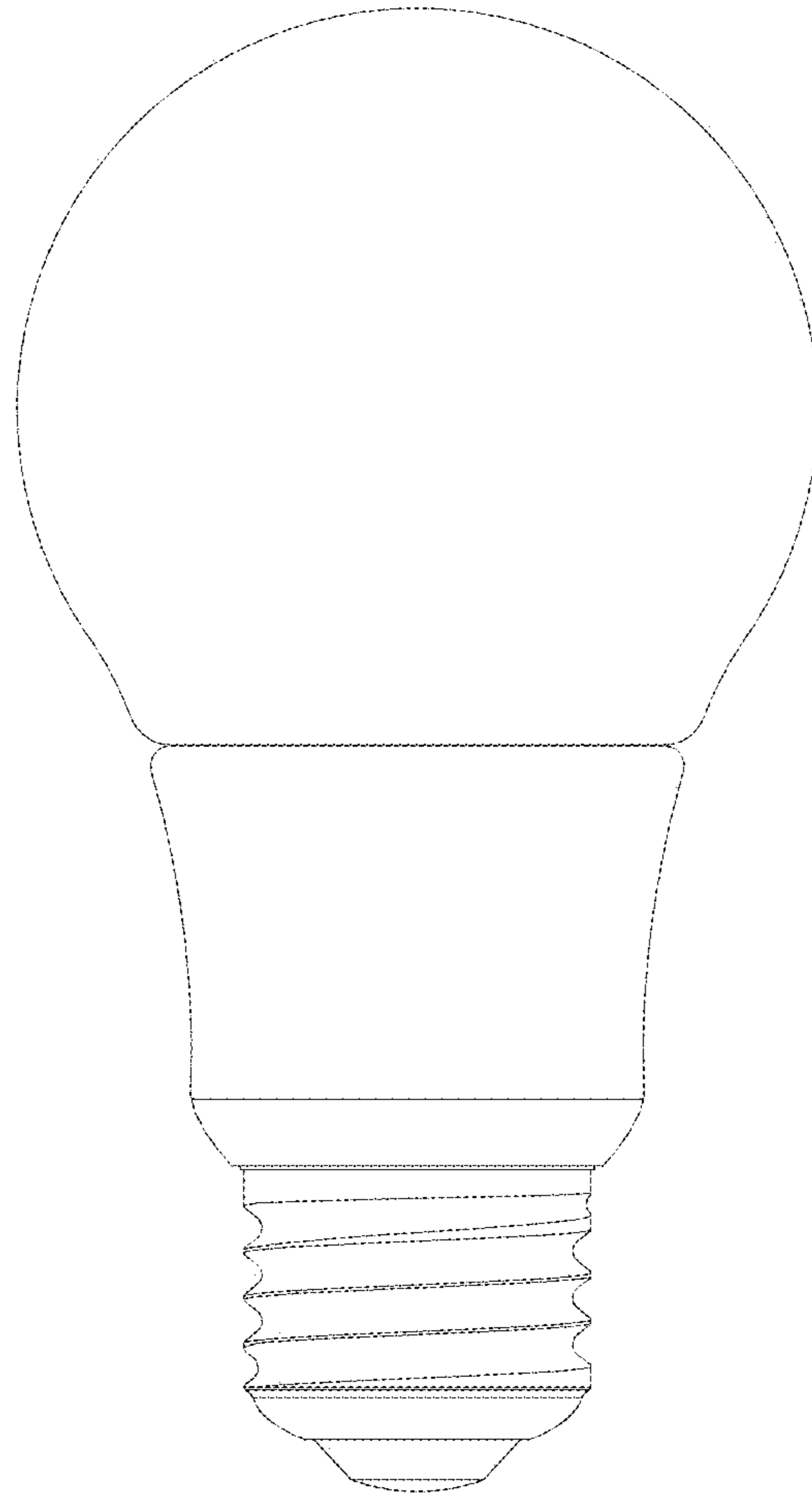


FIG. 22

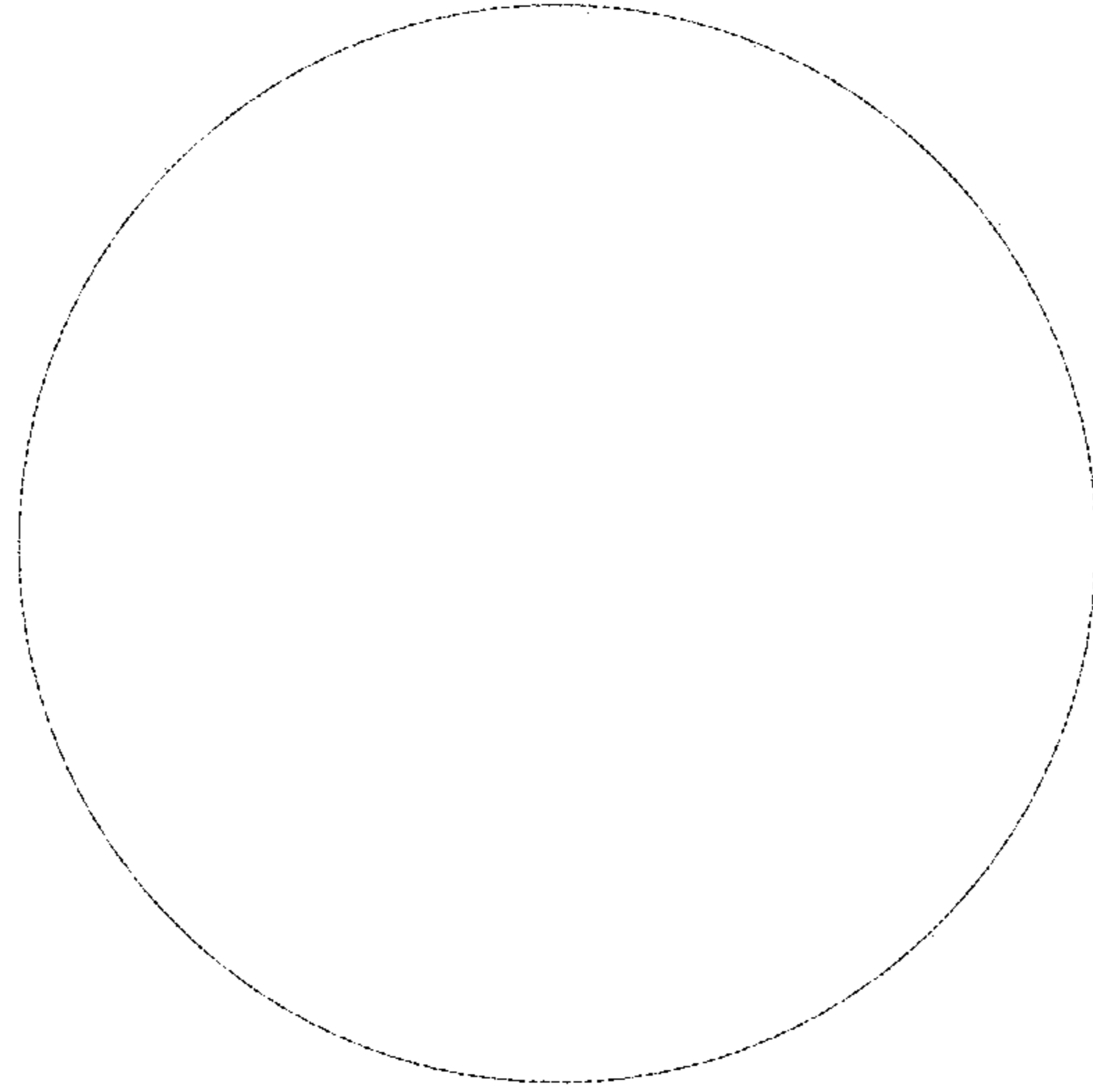


FIG. 23

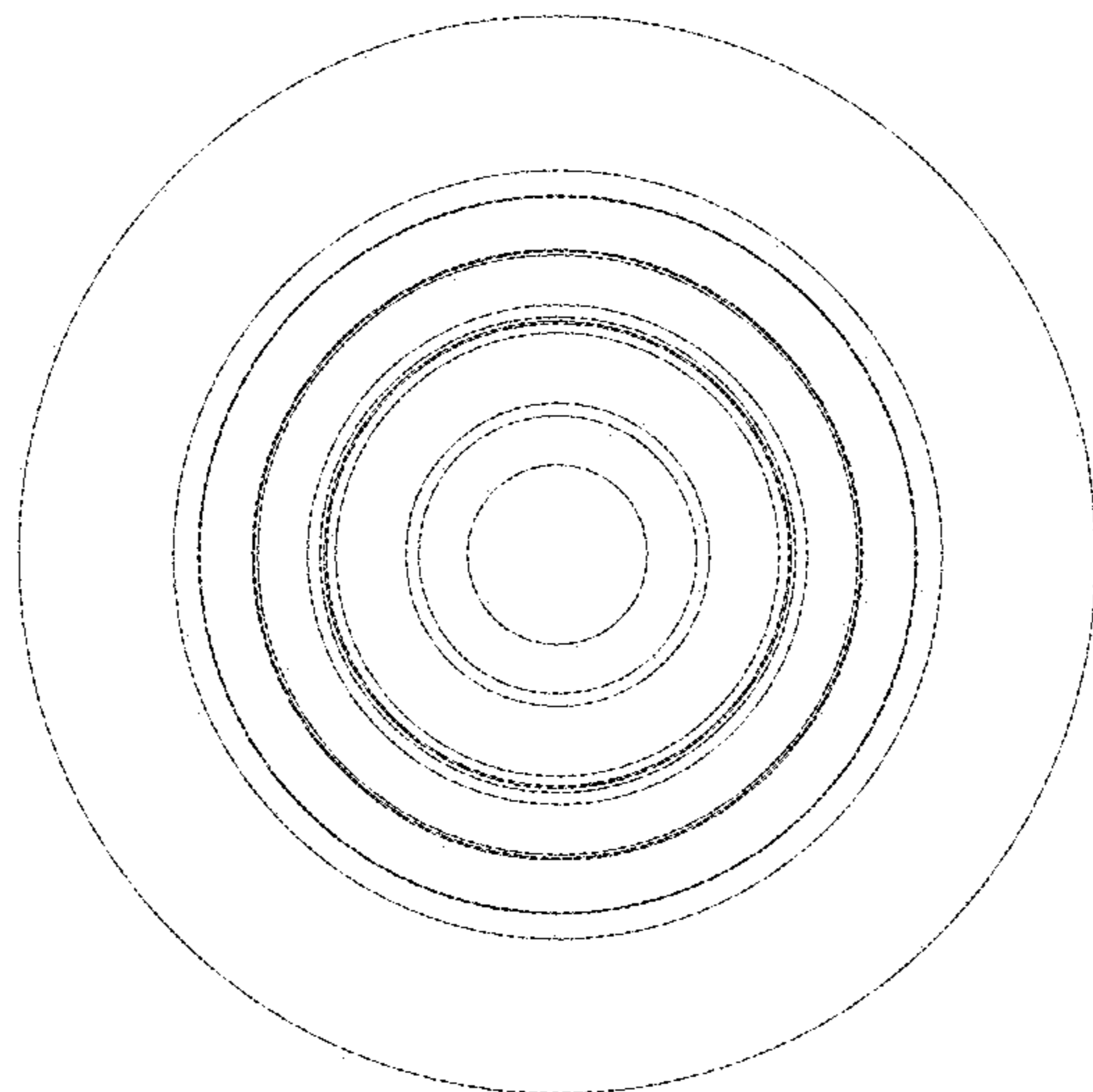


FIG. 24

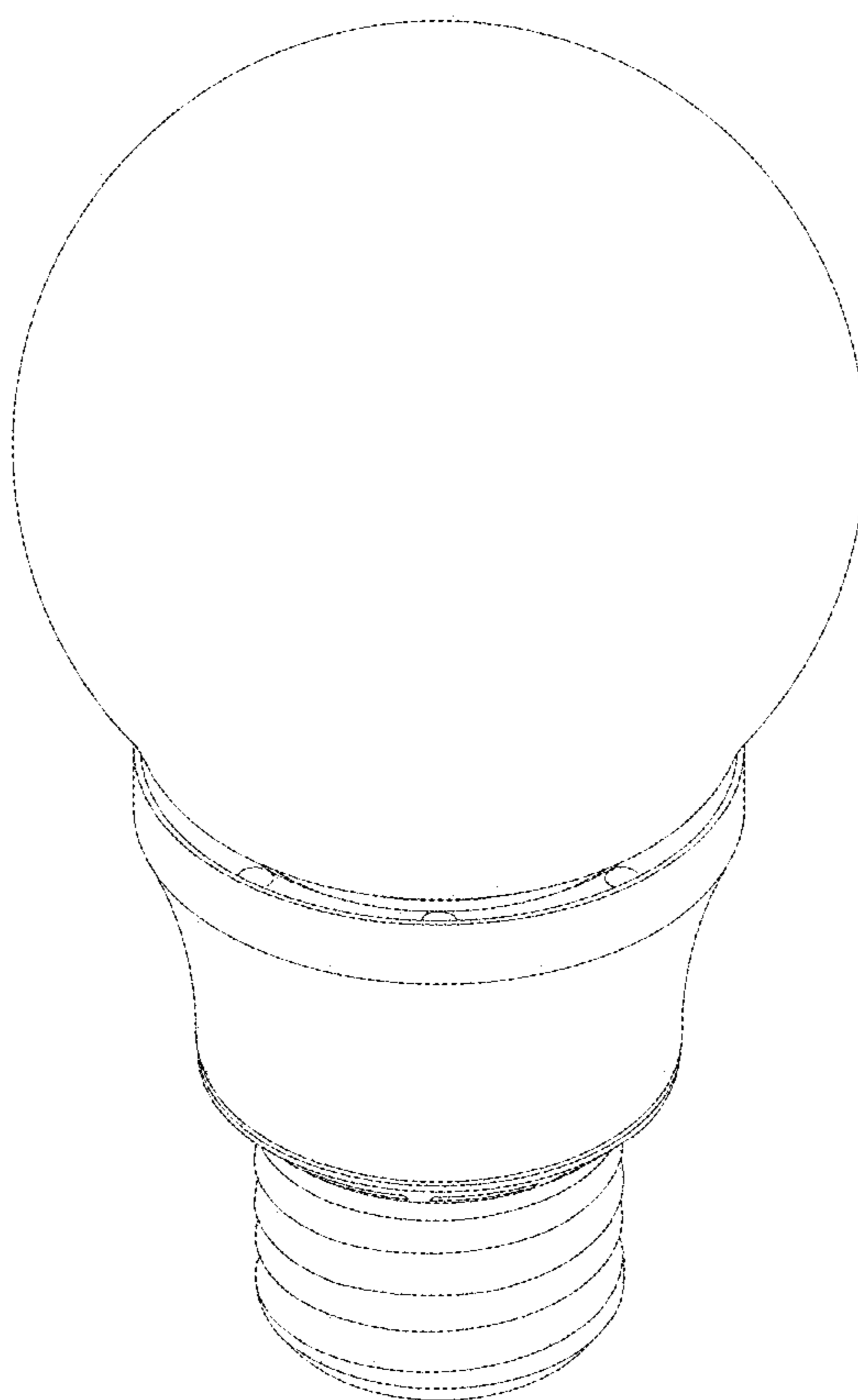


FIG. 25

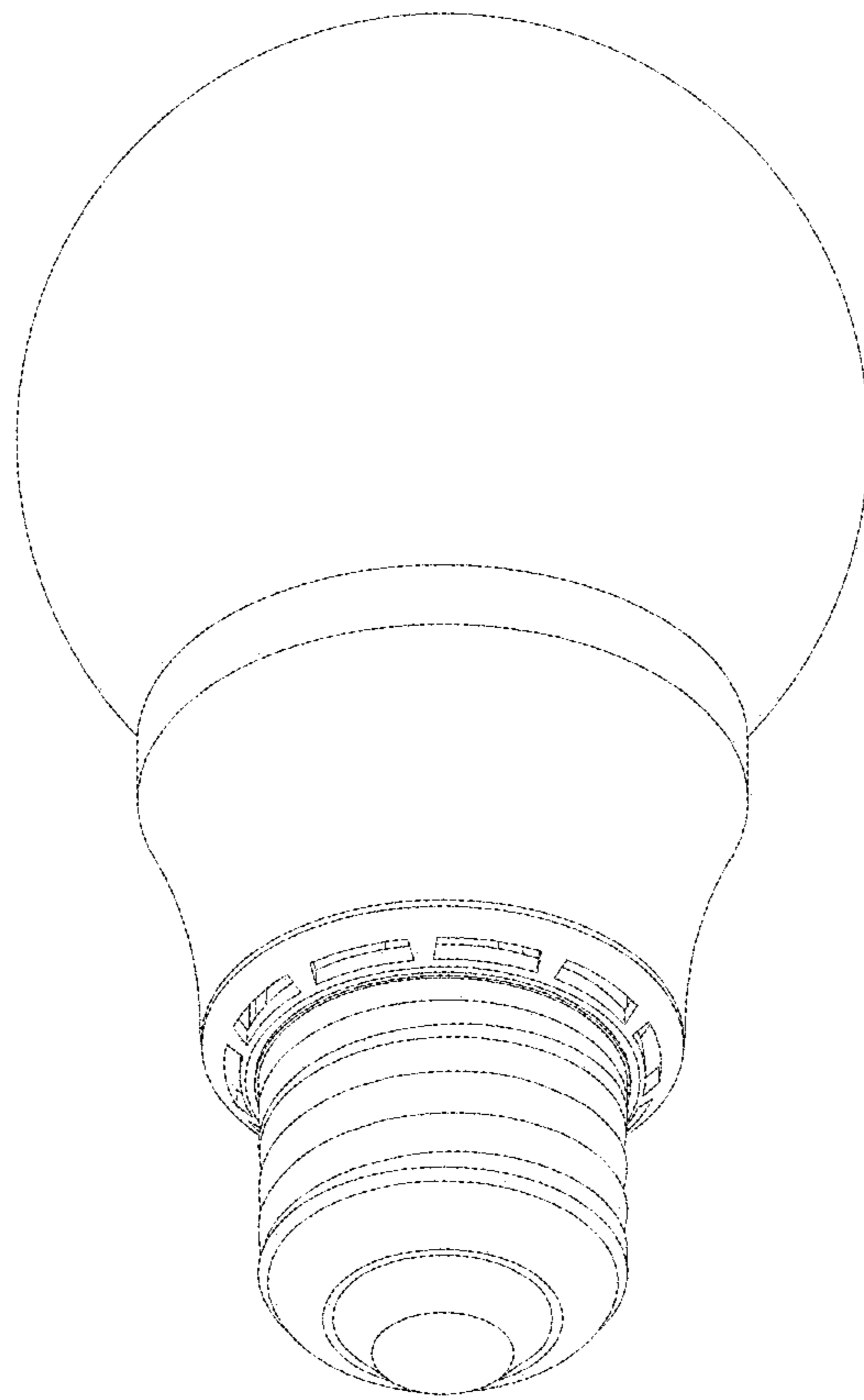


FIG. 26



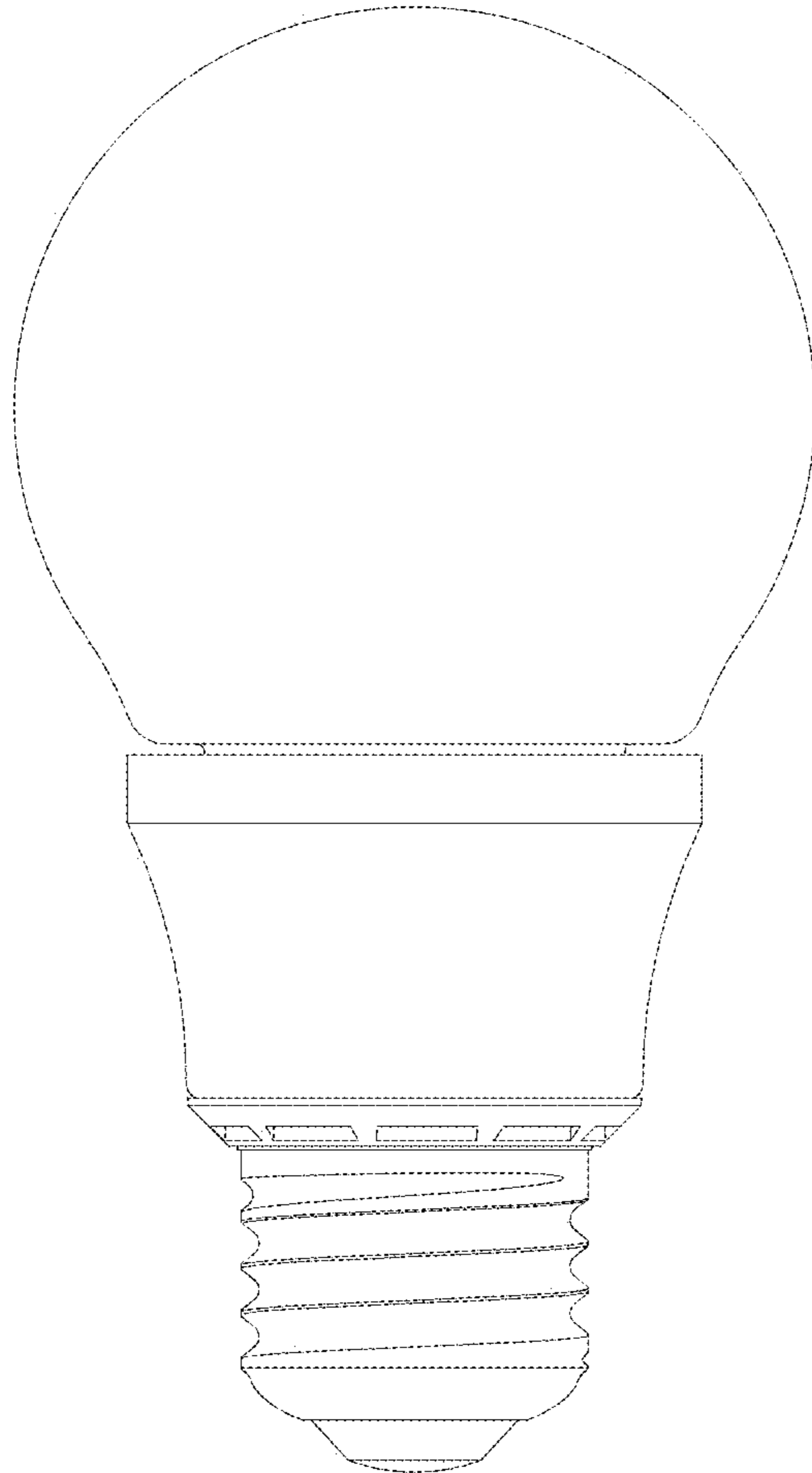


FIG. 27

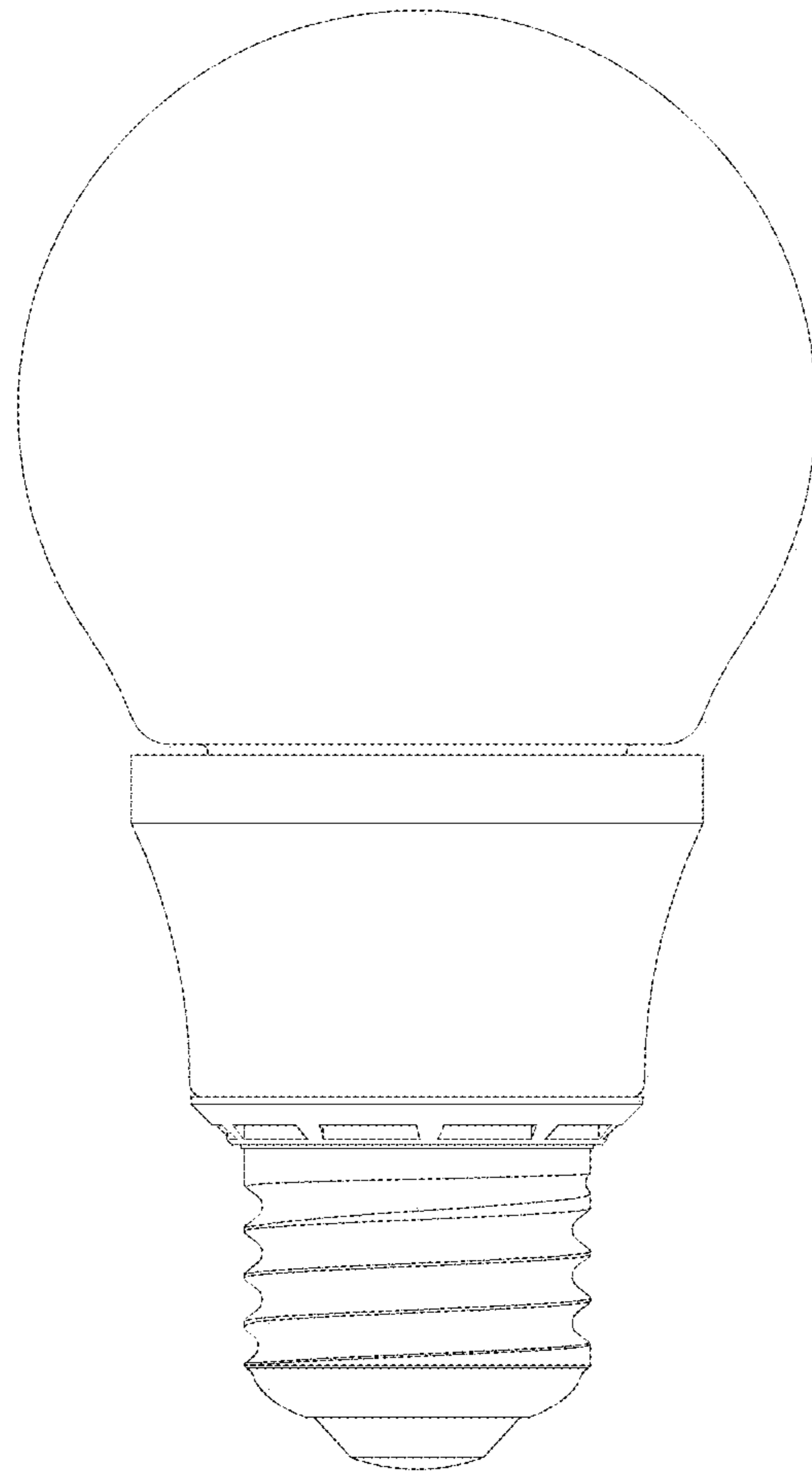


FIG. 28

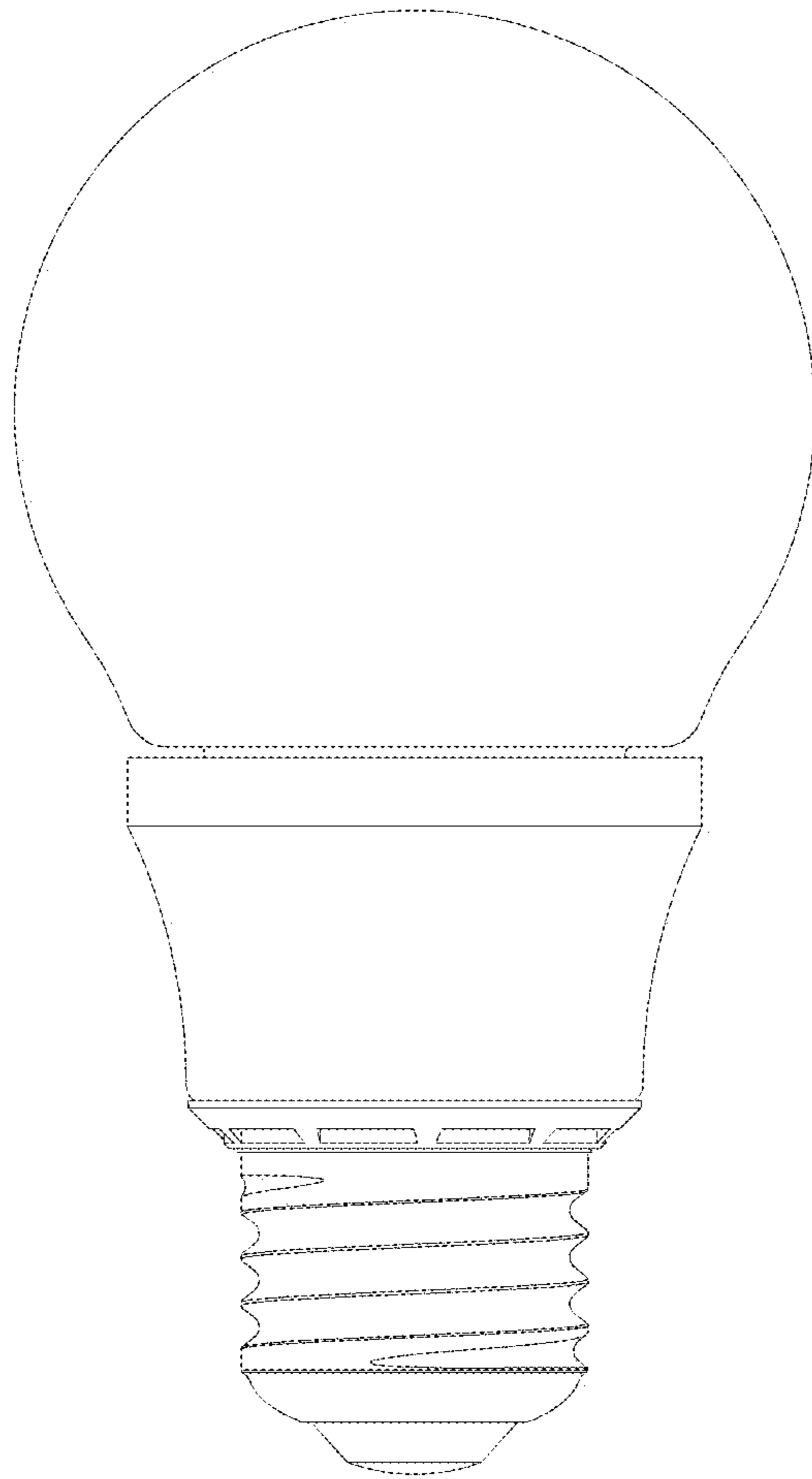


FIG. 29

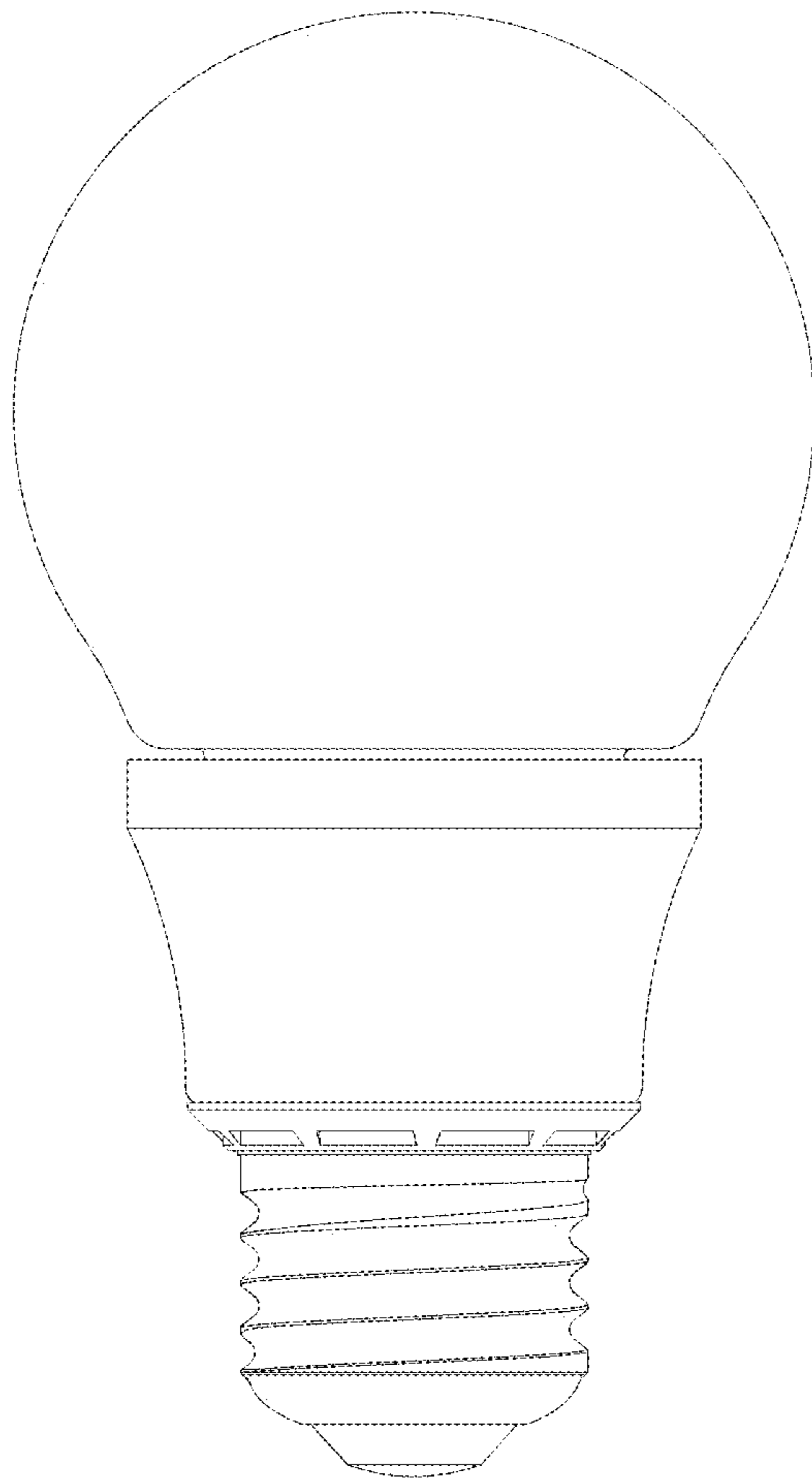


FIG. 30

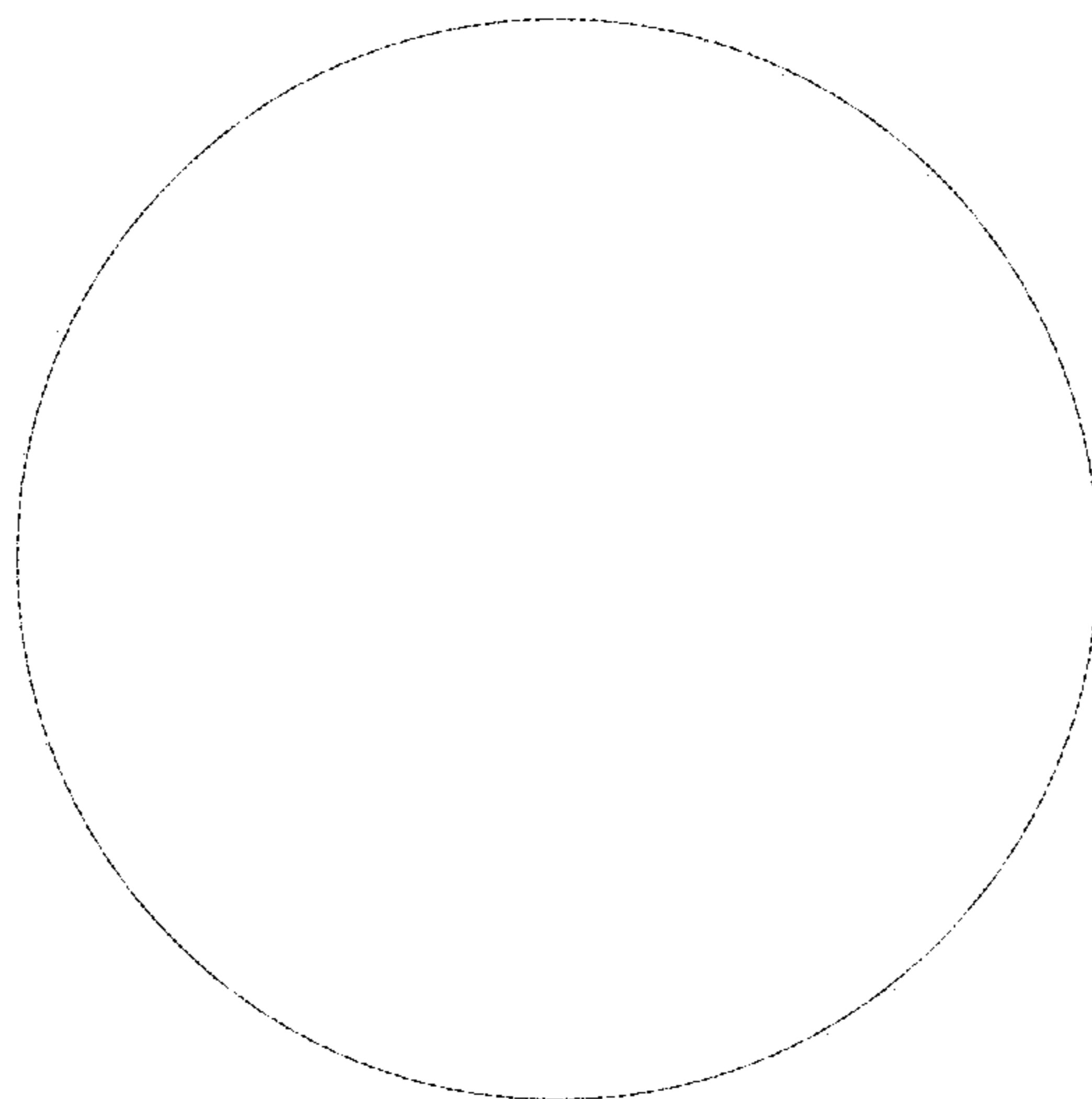


FIG. 31

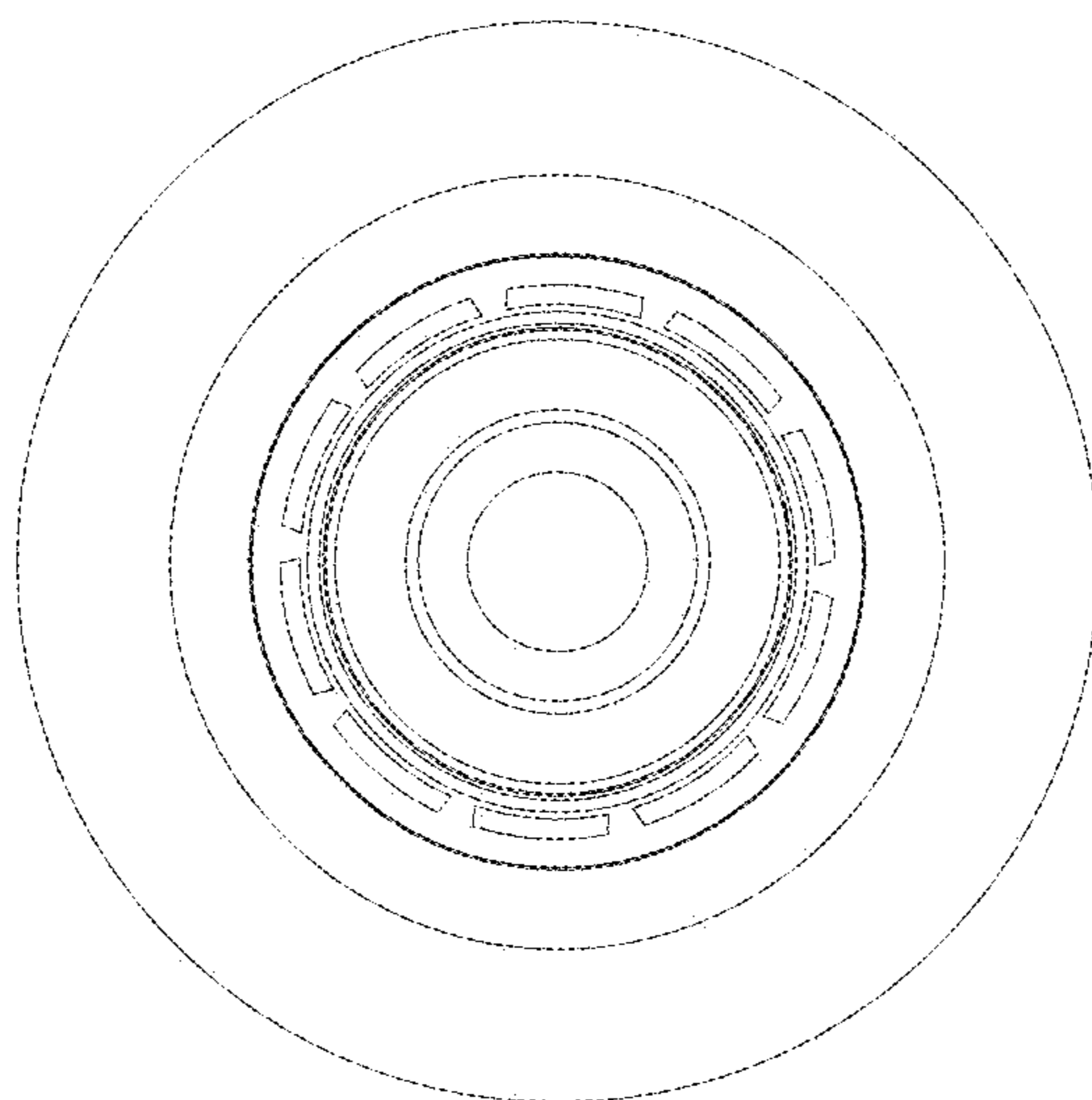


FIG. 32

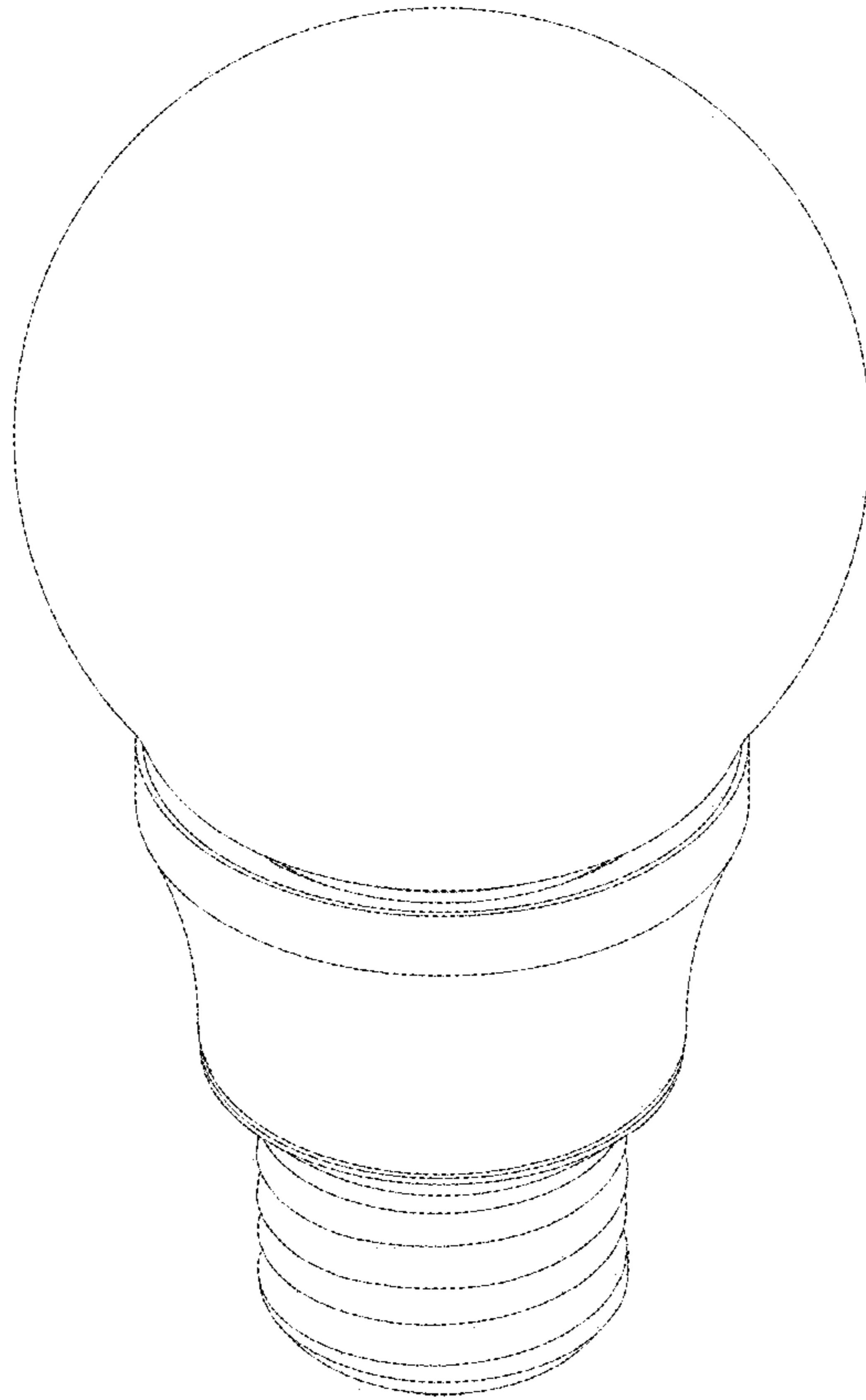


FIG. 33

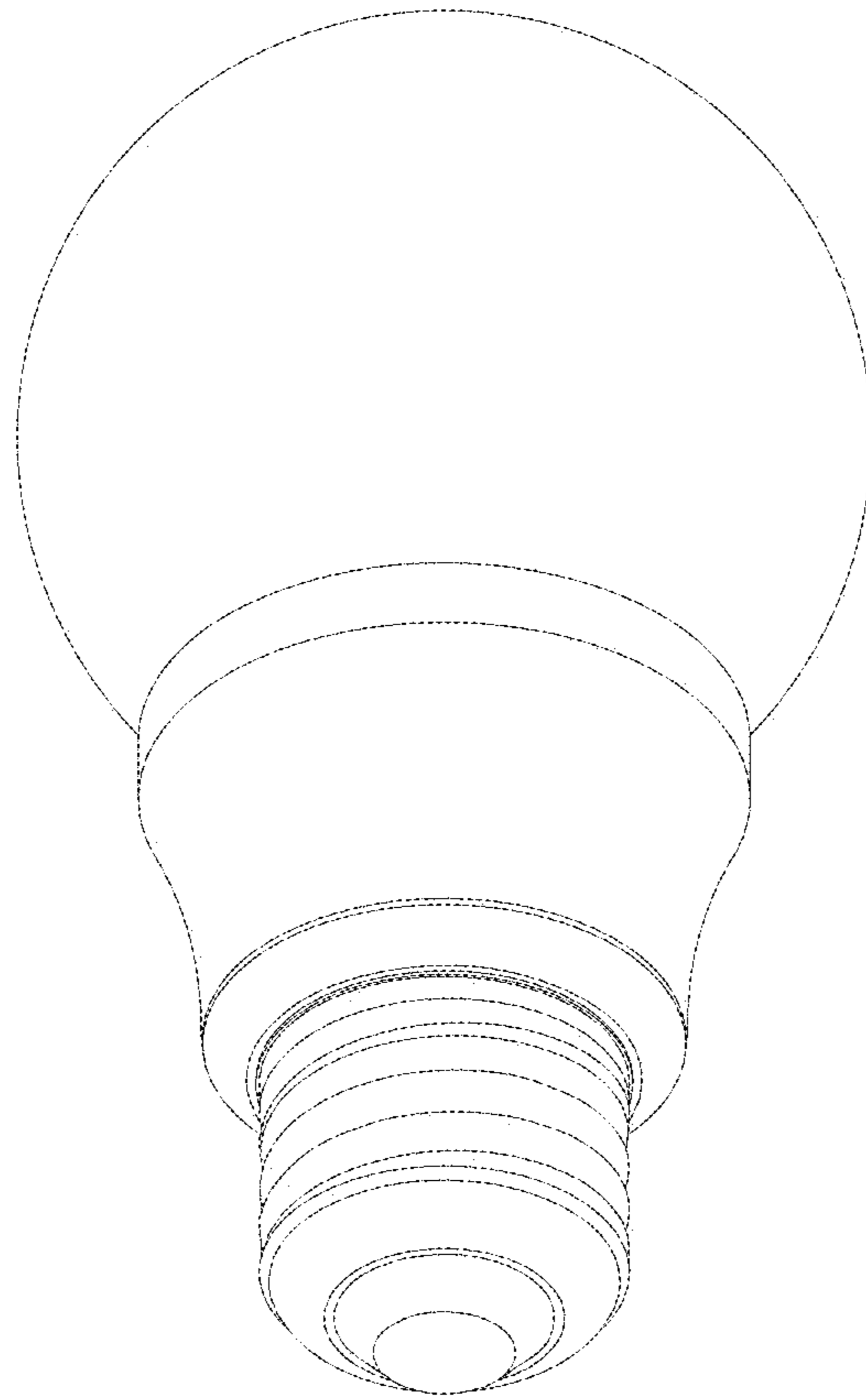


FIG. 34

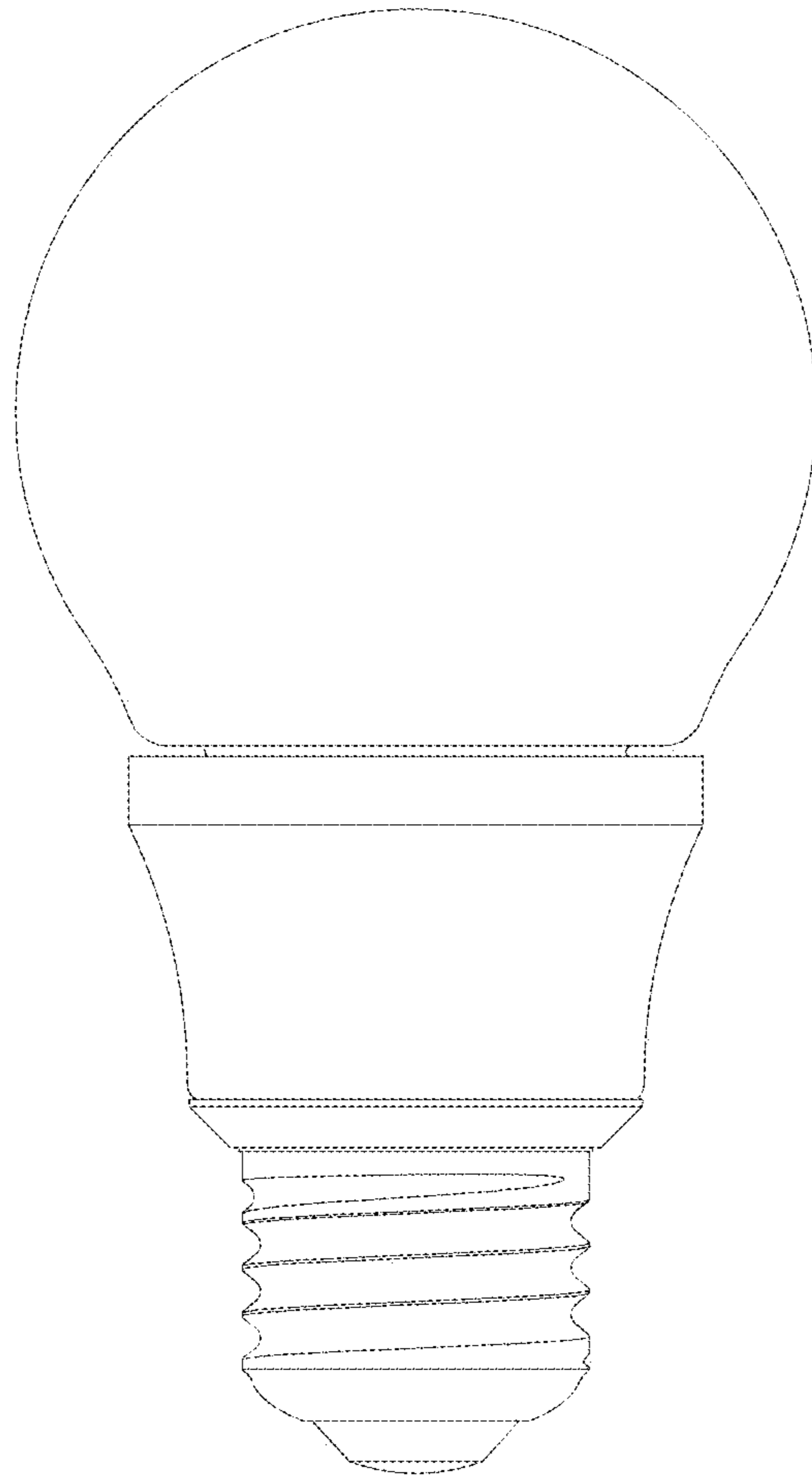


FIG. 35



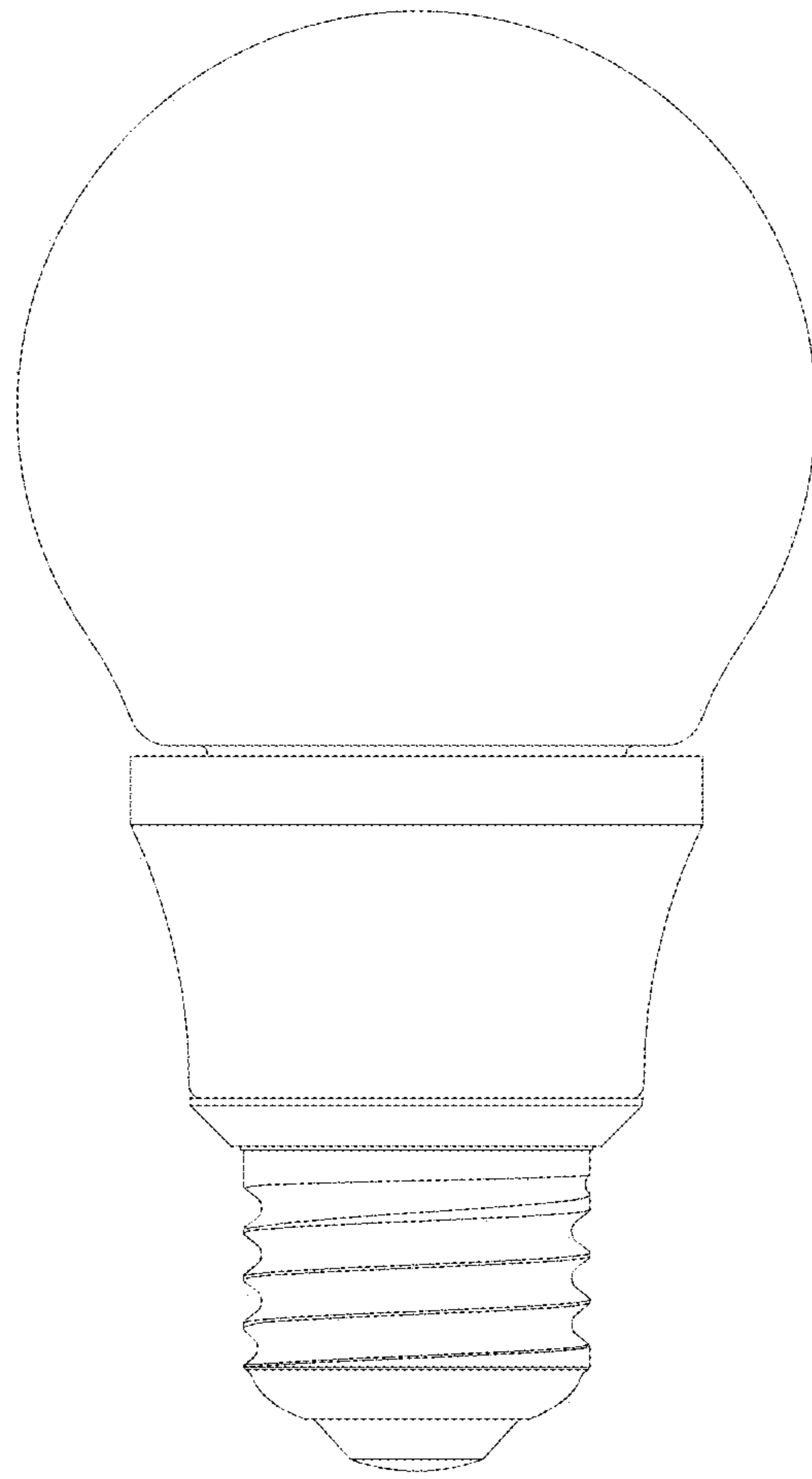


FIG. 36

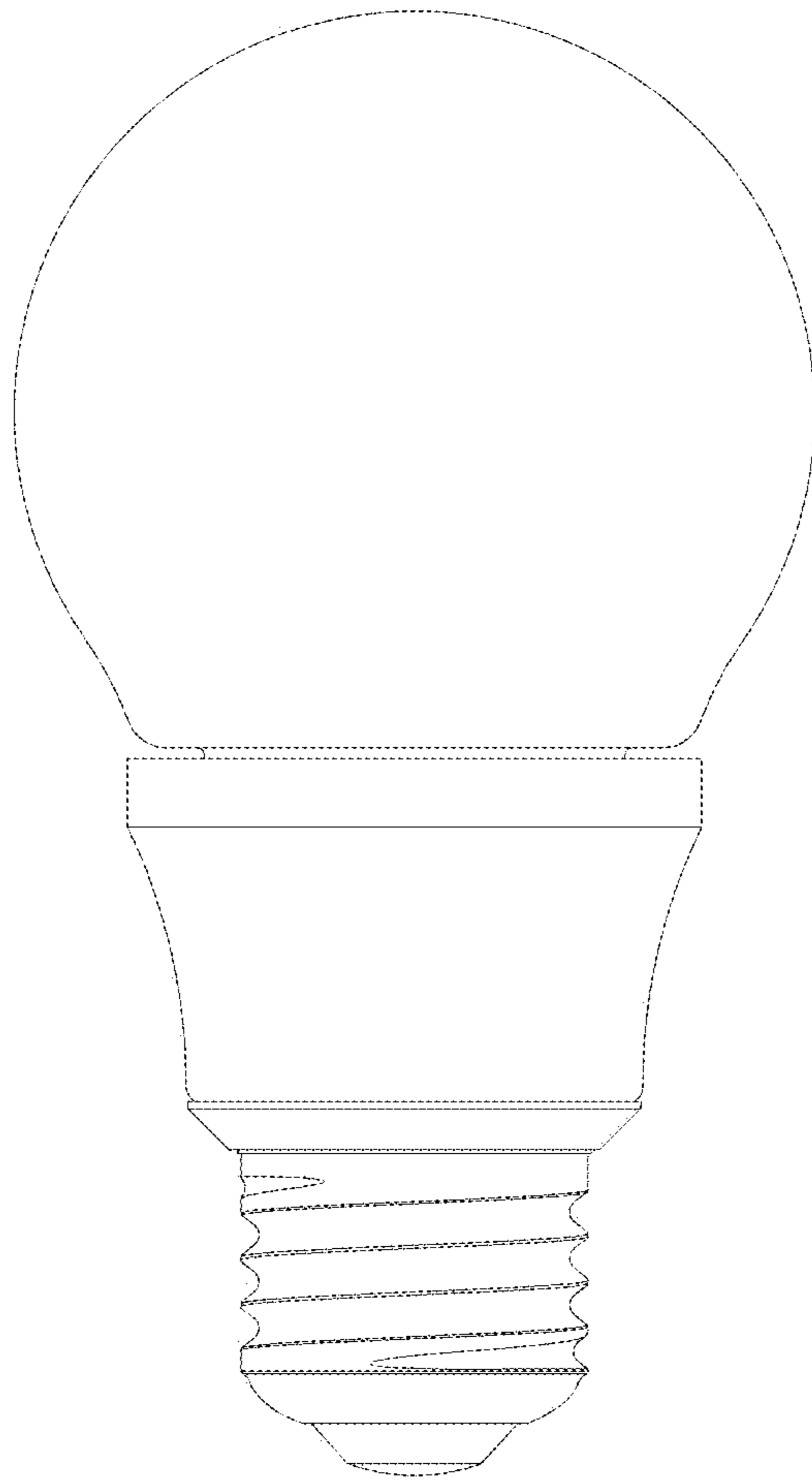


FIG. 37

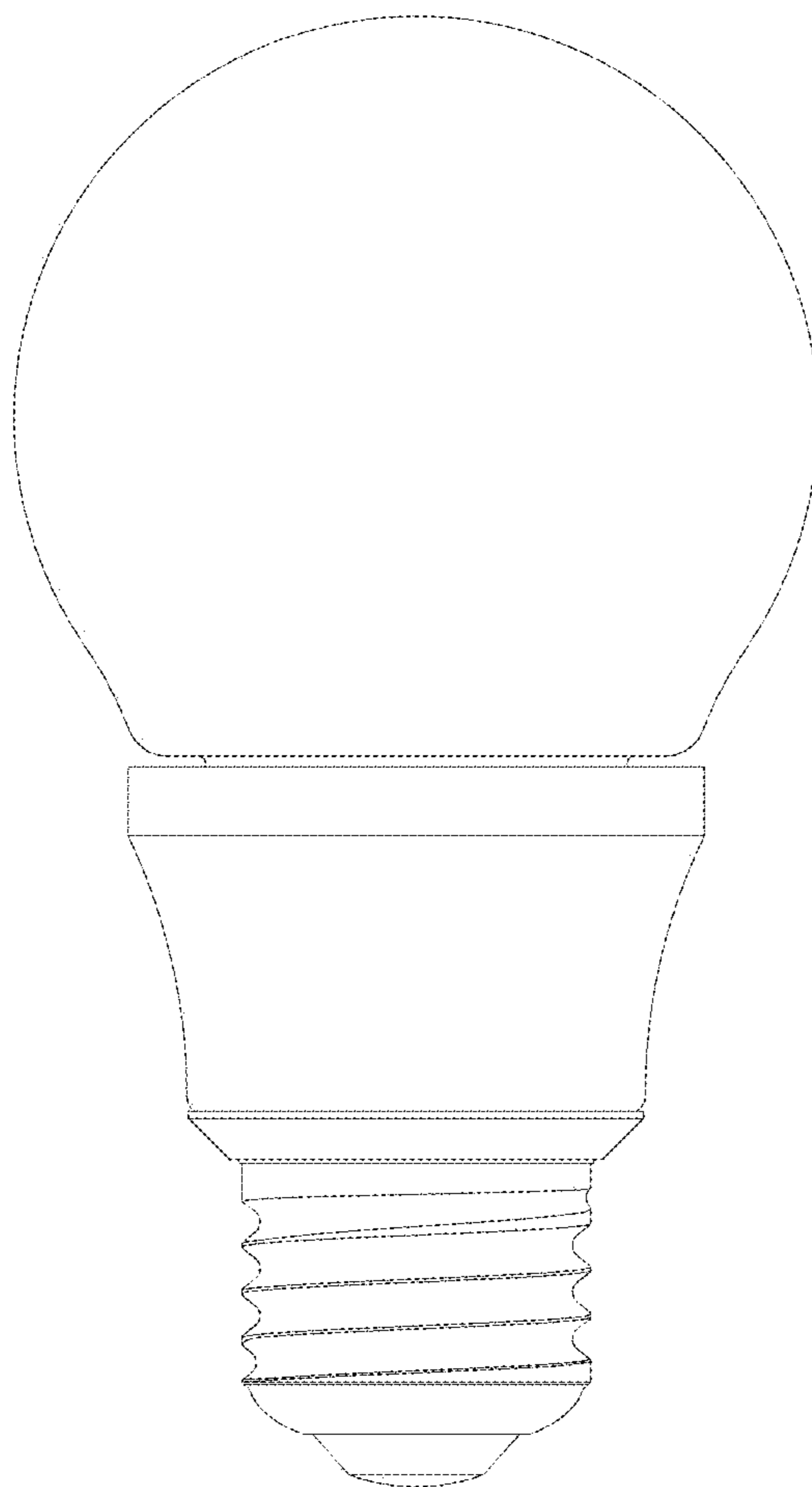


FIG. 38

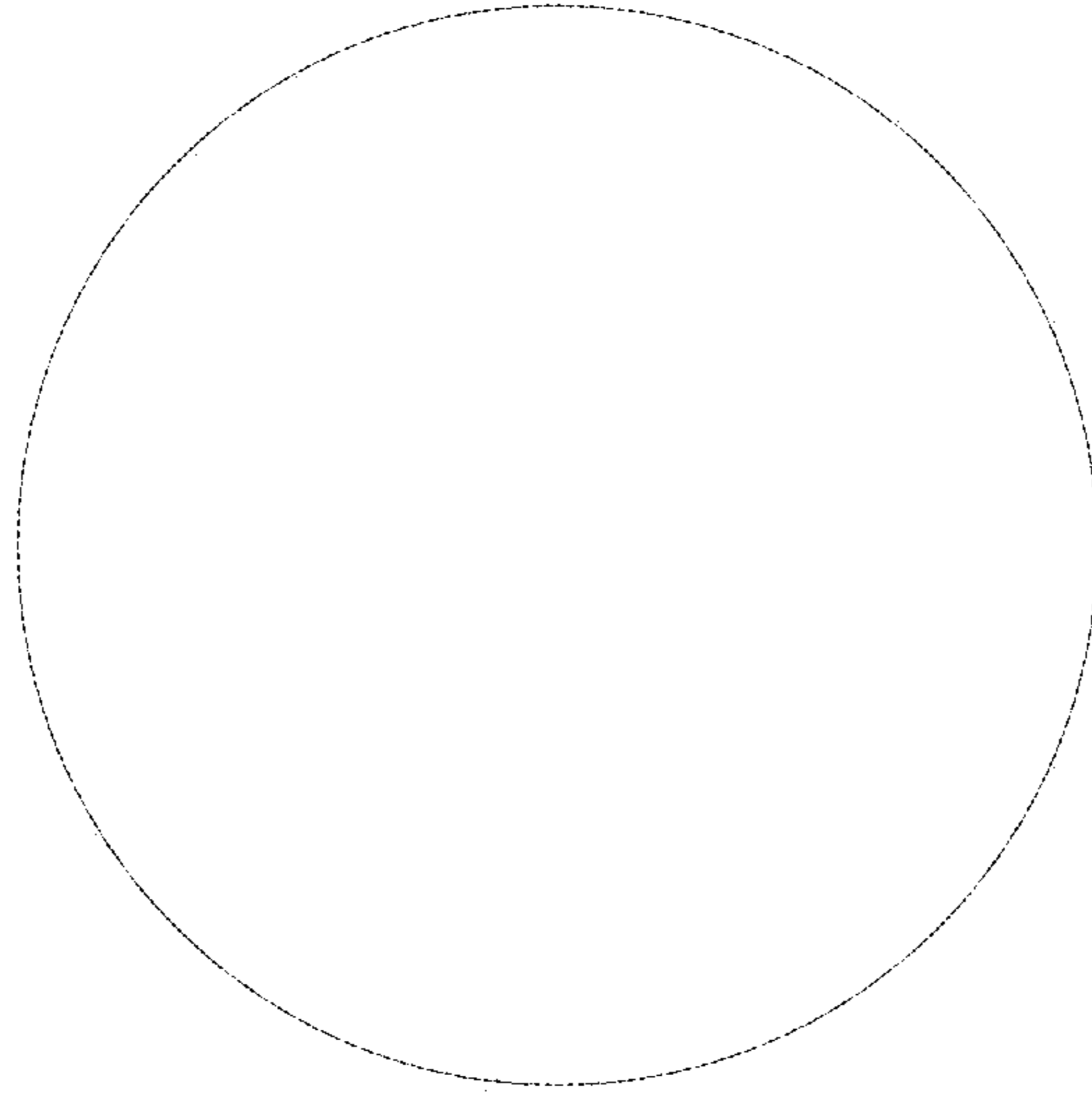


FIG. 39

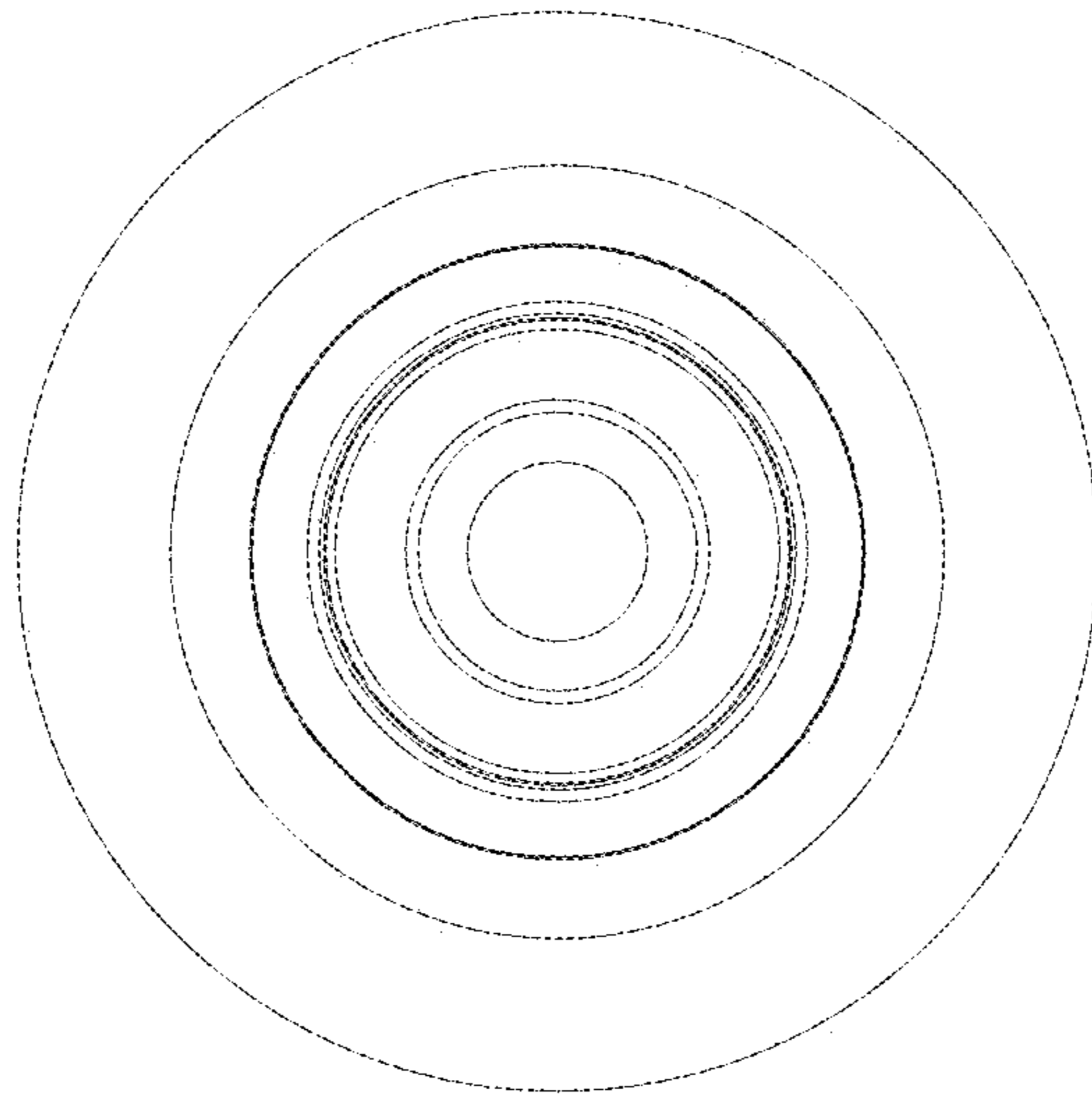


FIG. 40