



US00D723717S

(12) **United States Design Patent**
Toye

(10) **Patent No.:** **US D723,717 S**
(45) **Date of Patent:** **** Mar. 3, 2015**

(54) **POST CAP**

(71) Applicant: **Jonathan Dallas Toye**, Auckland (NZ)

(72) Inventor: **Jonathan Dallas Toye**, Auckland (NZ)

(73) Assignee: **Extenday IP Limited**, Auckland (NZ)

(**) Term: **14 Years**

(21) Appl. No.: **29/461,880**

(22) Filed: **Jul. 29, 2013**

(51) **LOC (10) Cl.** **25-01**

(52) **U.S. Cl.**
USPC **D25/135**

(58) **Field of Classification Search**
USPC D25/135; 52/300, 301; 256/47, 65.01,
256/22, 21, 34, 35

See application file for complete search history.

(56) **References Cited**

U.S. PATENT DOCUMENTS

5,600,927	A *	2/1997	Kennon	52/301
D460,571	S *	7/2002	Schimmelpfennig	D25/135
6,691,479	B1 *	2/2004	Tscharner	52/301
D509,603	S *	9/2005	Rosian	D25/135
2005/0017231	A1 *	1/2005	Sheelar	256/47

* cited by examiner

Primary Examiner — Doris Clark

(74) *Attorney, Agent, or Firm* — Lowe Graham Jones PLLC

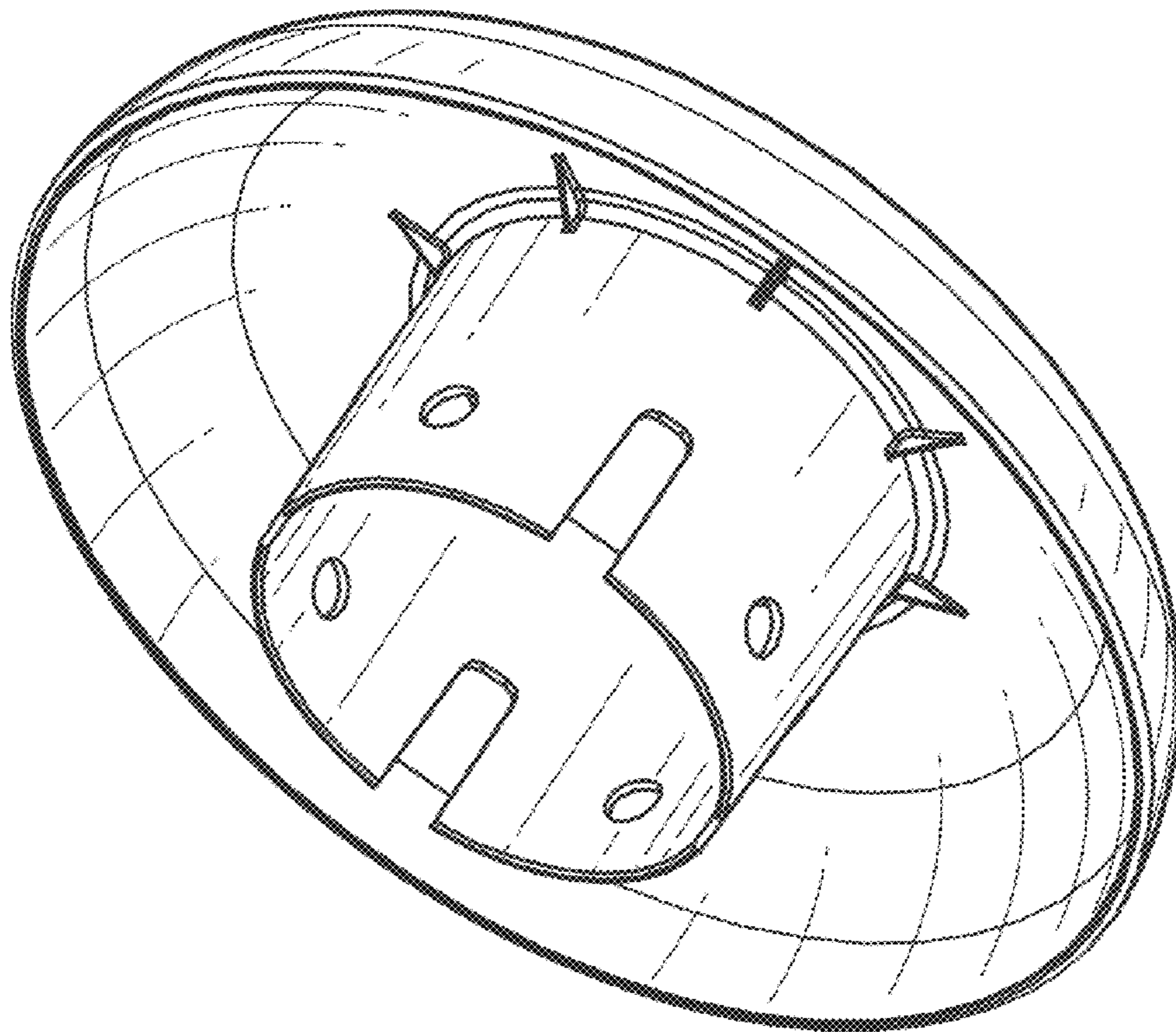
(57) **CLAIM**

I claim the ornamental design for a post cap, as shown and described.

DESCRIPTION

FIG. 1 is a side view of a post cap embodying the design; FIG. 2 is a cross sectional view taken along line 2-2 of FIG. 1; FIG. 3 is a bottom plan view thereof; FIG. 4 is a top plan view thereof; and, FIG. 5 is a bottom perspective view thereof.

1 Claim, 2 Drawing Sheets



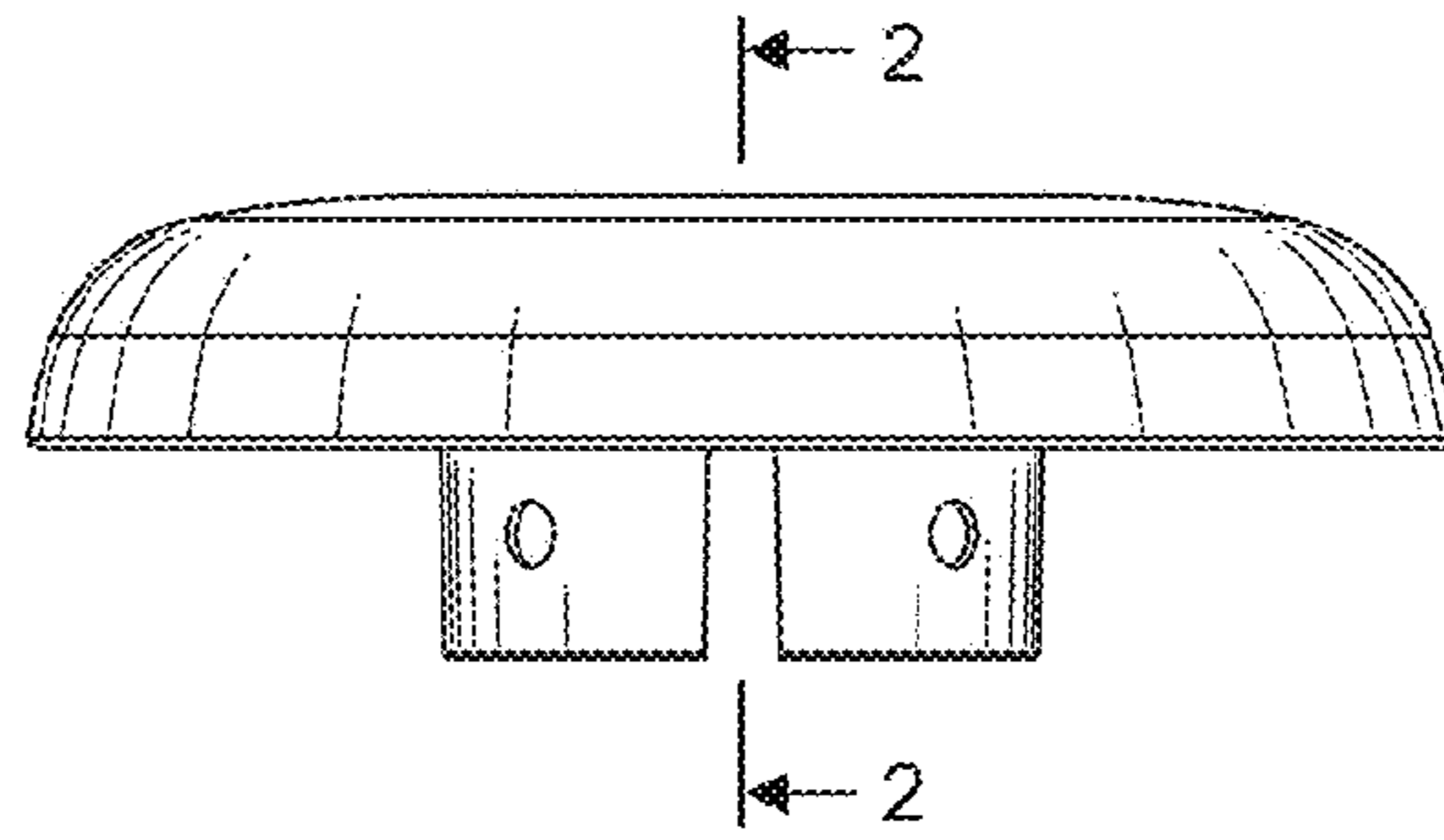


FIGURE 1

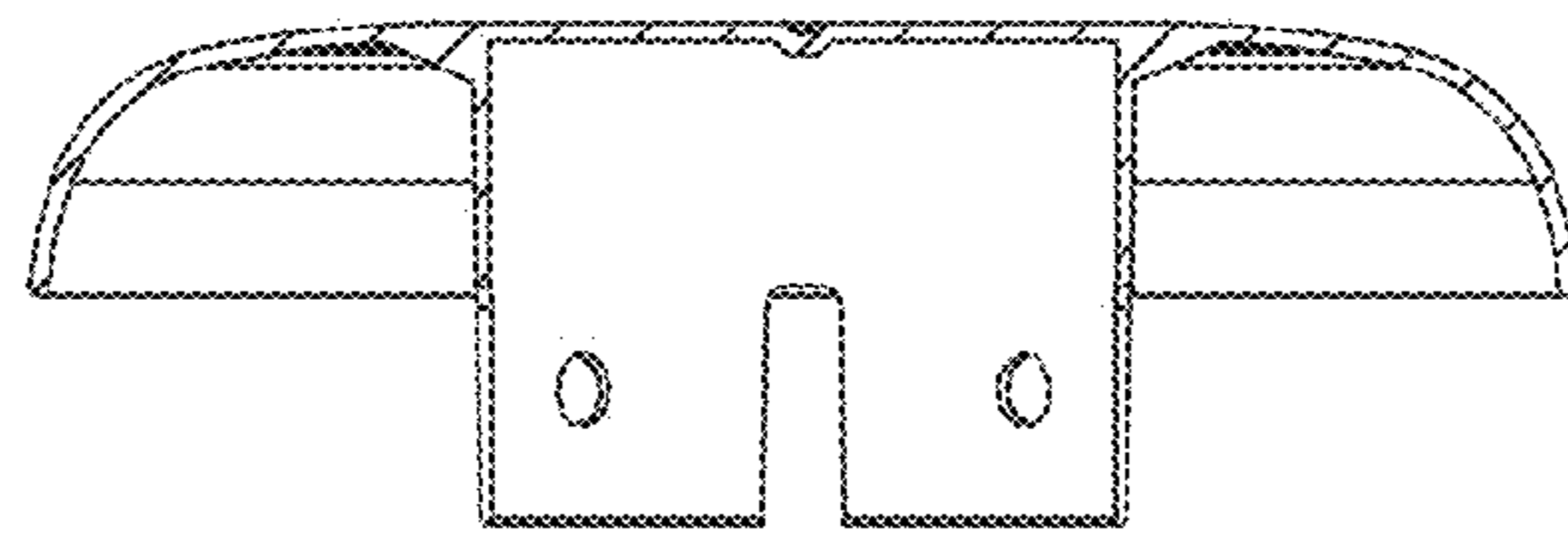


FIGURE 2

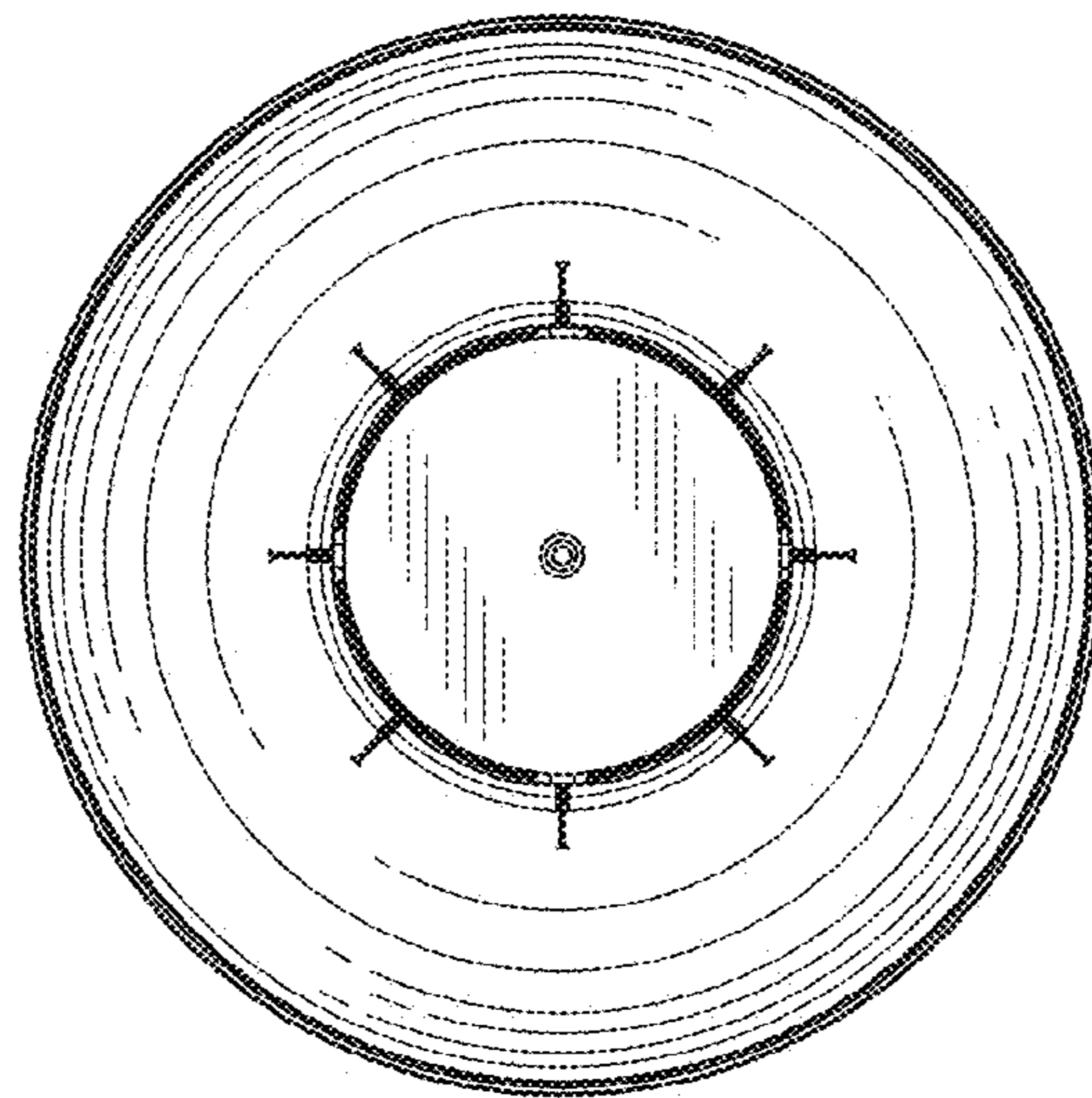


FIGURE 3

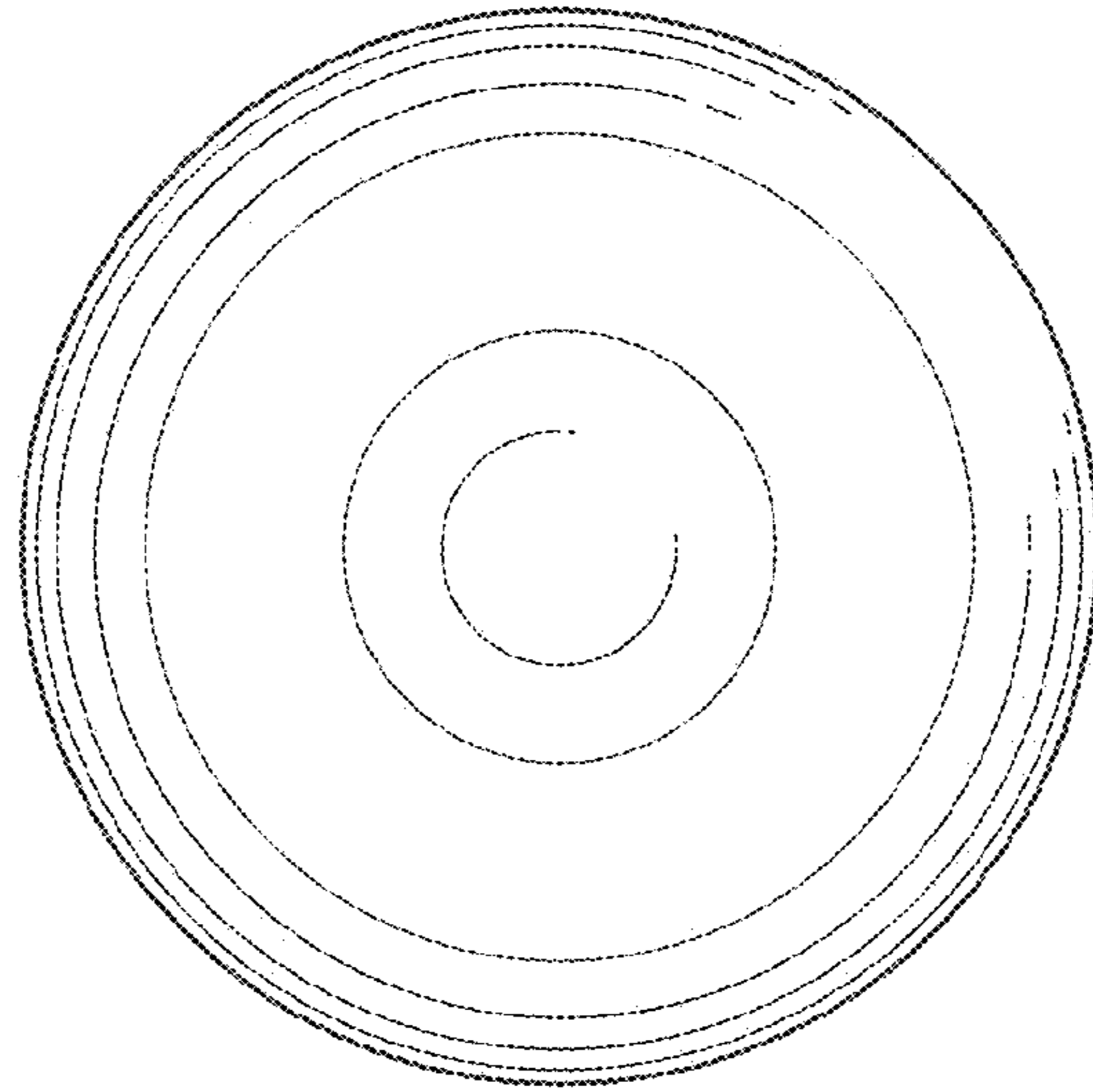


FIGURE 4

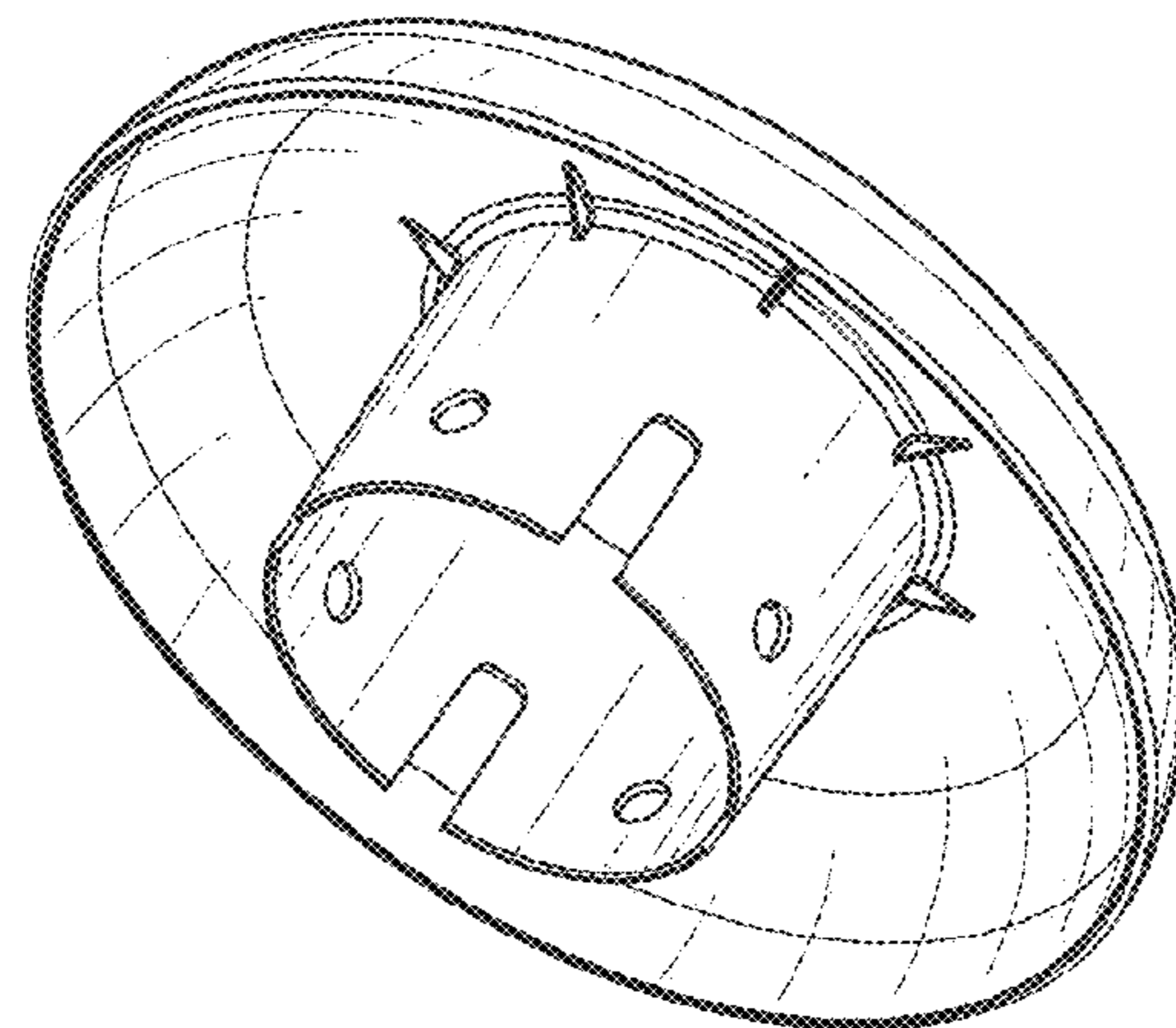


FIGURE 5