



US00D723716S

(12) **United States Design Patent**  
**Imus**

(10) **Patent No.:** **US D723,716 S**  
(45) **Date of Patent:** **\*\* Mar. 3, 2015**

(54) **CAP FOR A BEAM**

(71) Applicant: **William Gregg Imus**, Camden, ME  
(US)

(72) Inventor: **William Gregg Imus**, Camden, ME  
(US)

(\*\*) Term: **14 Years**

(21) Appl. No.: **29/453,794**

(22) Filed: **May 2, 2013**

(51) **LOC (10) Cl.** ..... **25-01**

(52) **U.S. Cl.**

USPC ..... **D25/121**

(58) **Field of Classification Search**

USPC ..... D25/121, 126, 135; 52/465, 650.1, 702,  
52/97, 302.3, 718.04, 716.2; 256/65.02,  
256/65.07, 65.16, 65.15, 59

See application file for complete search history.

(56) **References Cited**

**U.S. PATENT DOCUMENTS**

4,379,377	A	4/1983	Adell	
4,609,144	A	9/1986	Harmsen	
4,742,654	A	5/1988	Cole	
4,848,049	A	7/1989	Hanson	
4,858,399	A	8/1989	Salato, Jr.	
4,879,856	A	11/1989	Jones et al.	
5,148,644	A	9/1992	Weir	
5,181,352	A	1/1993	Friedman	
5,195,281	A	3/1993	Kosko	
5,280,692	A	1/1994	Patey	
5,479,750	A	1/1996	Carlberg	
5,743,064	A *	4/1998	Bennett	52/718.04
6,108,992	A	8/2000	Shaw	

D447,575	S	9/2001	Shaw	
6,311,450	B1	11/2001	Tanigaki et al.	
D461,568	S *	8/2002	Forbis	D25/121
6,449,911	B1	9/2002	Hudson	
6,712,340	B1 *	3/2004	Clarmont	256/19
6,865,858	B1	3/2005	Pollard	
7,107,727	B2	9/2006	Nelson	
7,147,907	B1	12/2006	Hiltz	
2004/0226252	A1	11/2004	Sheldon	
2013/0031846	A1	2/2013	Shaw	

**FOREIGN PATENT DOCUMENTS**

GB	525650	A	9/1940
GB	2130616	A	6/1984

\* cited by examiner

*Primary Examiner* — Doris Clark

(74) *Attorney, Agent, or Firm* — Patent Law & Venture Group; Gene Scott

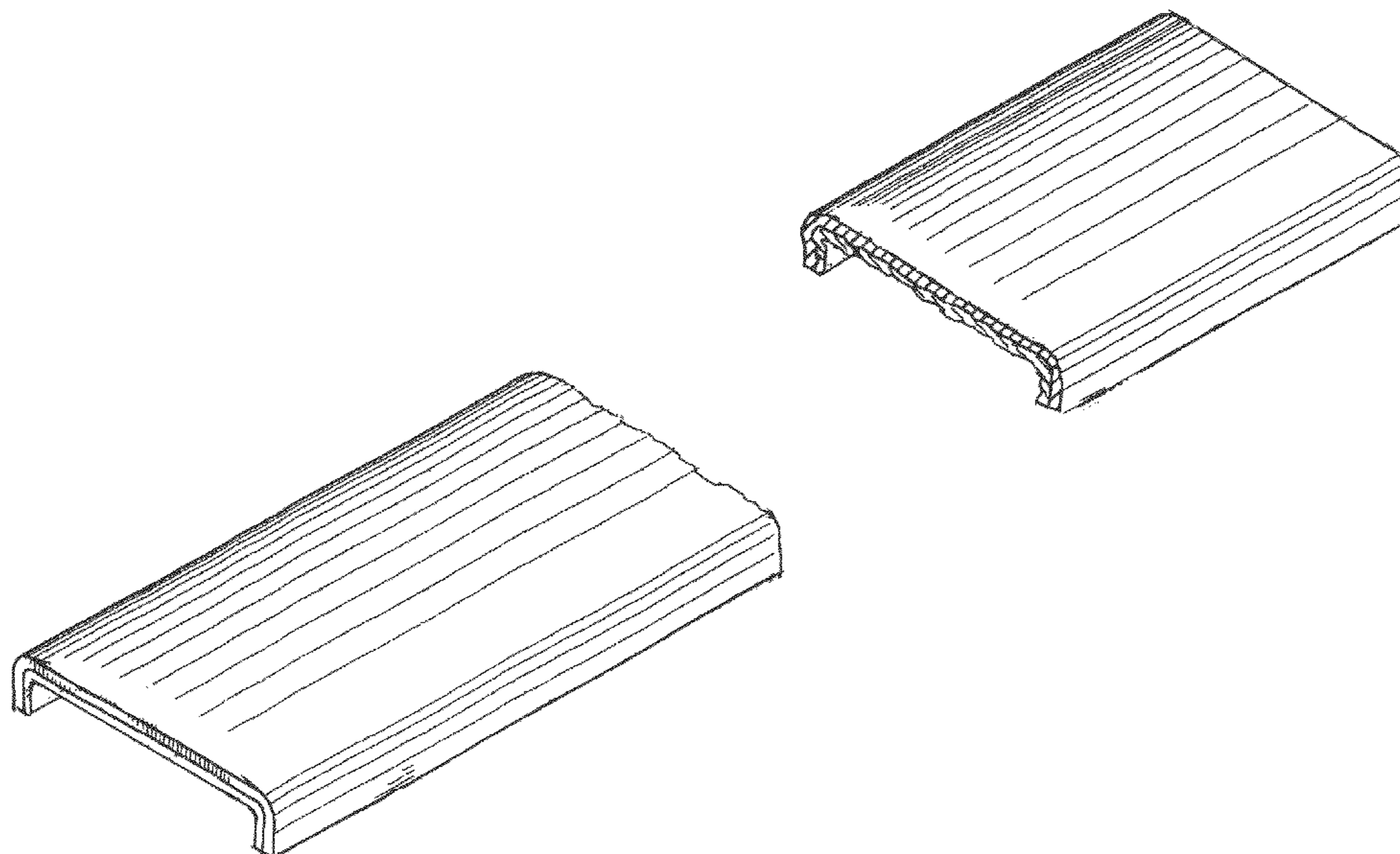
(57) **CLAIM**

The ornamental design for a cap for a beam, as shown and described.

**DESCRIPTION**

FIG. 1 is an upper right side perspective view of my new cap design shown with a medial break to indicate that the cap may be of any length, the upper left side perspective view being a mirror image thereof;  
FIG. 2 is a left side elevation view thereof, the right side elevation view being a mirror image thereof; and,  
FIG. 3 is a bottom plan view thereof shown with the medial break.

**1 Claim, 2 Drawing Sheets**



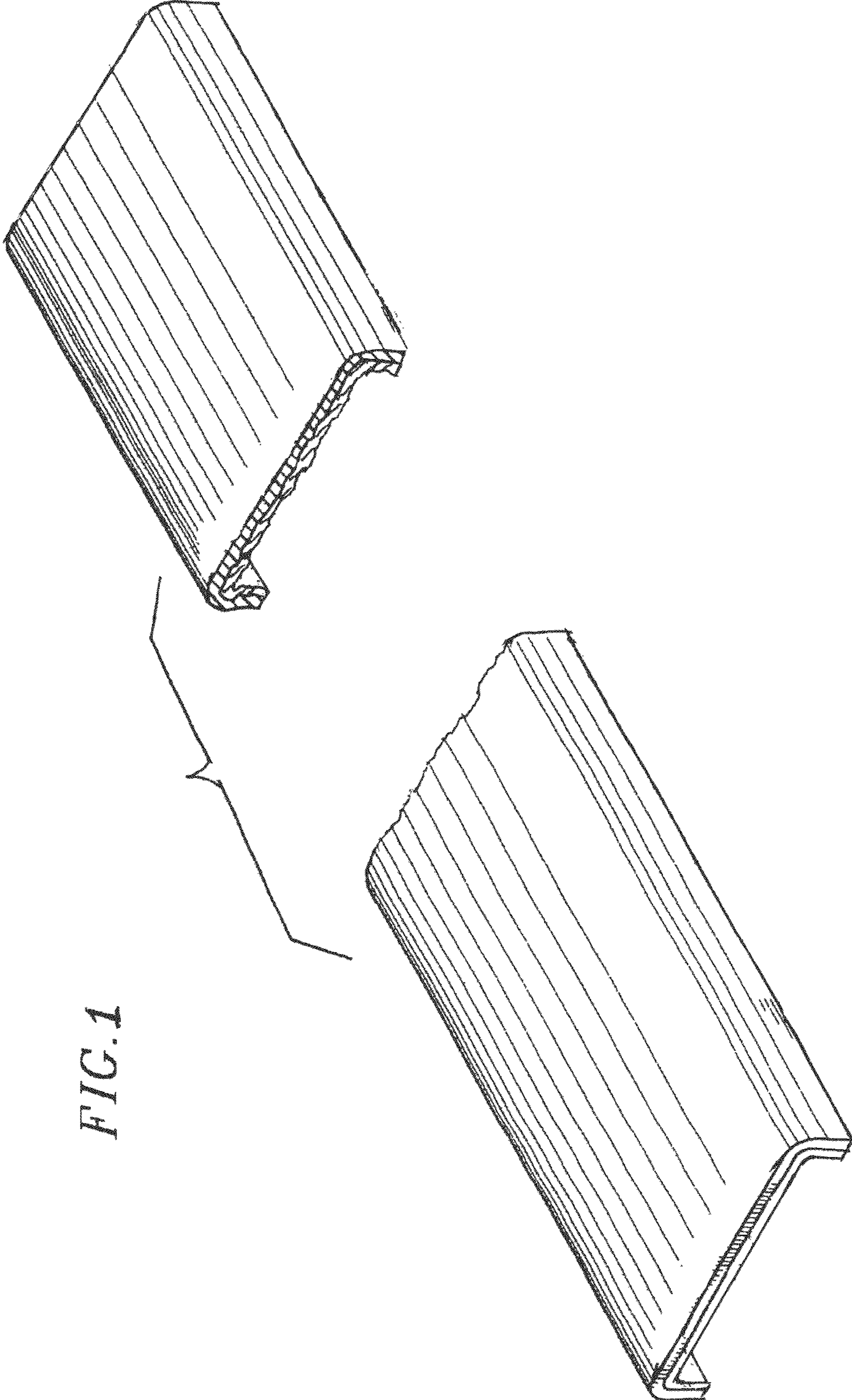
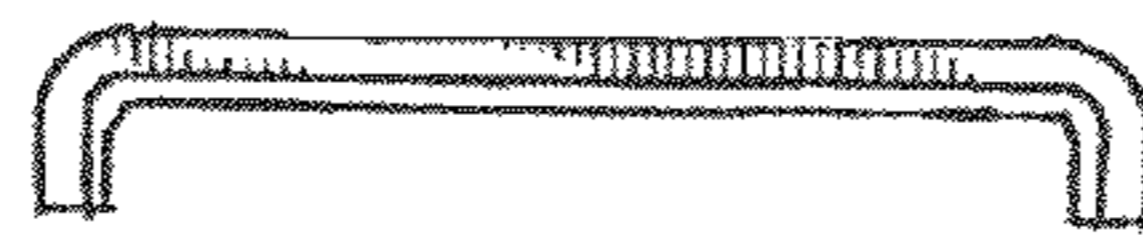


FIG. 1

*FIG. 2*



*FIG. 3*

