



US00D723715S

(12) **United States Design Patent**
Lafontaine

(10) **Patent No.:** **US D723,715 S**
(45) **Date of Patent:** **** Mar. 3, 2015**

(54) **POOL LADDER**

(71) Applicant: **Champlain Plastics, Inc.**, Rouses Point,
NY (US)

(72) Inventor: **Robert Lafontaine**, Boucherville (CA)

(73) Assignee: **Champlain Plastics Inc.**, Rouses Point,
NY (US)

(**) Term: **14 Years**

(21) Appl. No.: **29/468,856**

(22) Filed: **Oct. 3, 2013**

(51) **LOC (10) Cl.** **25-04**

(52) **U.S. Cl.**
USPC **D25/64**

(58) **Field of Classification Search**
USPC D25/62, 68, 69, 64; 182/156, 152, 162,
182/112, 113, 215, 220, 120, 106, 23, 26,
182/115, 129, 201, 207, 93; 248/210, 238,
248/236; 4/511, 506

See application file for complete search history.

(56) **References Cited**

U.S. PATENT DOCUMENTS

D265,251 S * 6/1982 Darby et al. D25/64
4,418,792 A * 12/1983 Cerone 182/93
5,065,840 A * 11/1991 Cadigan 182/93
D424,706 S * 5/2000 Cholley D25/64

* cited by examiner

Primary Examiner — Doris Clark

(74) *Attorney, Agent, or Firm* — Mila Shvartsman

(57) **CLAIM**

I claim the ornamental design for a pool ladder, as shown and described.

DESCRIPTION

FIG. 1 is a perspective view of a pool ladder showing my new design;

FIG. 2 is a front view thereof;

FIG. 3 is a rear view thereof;

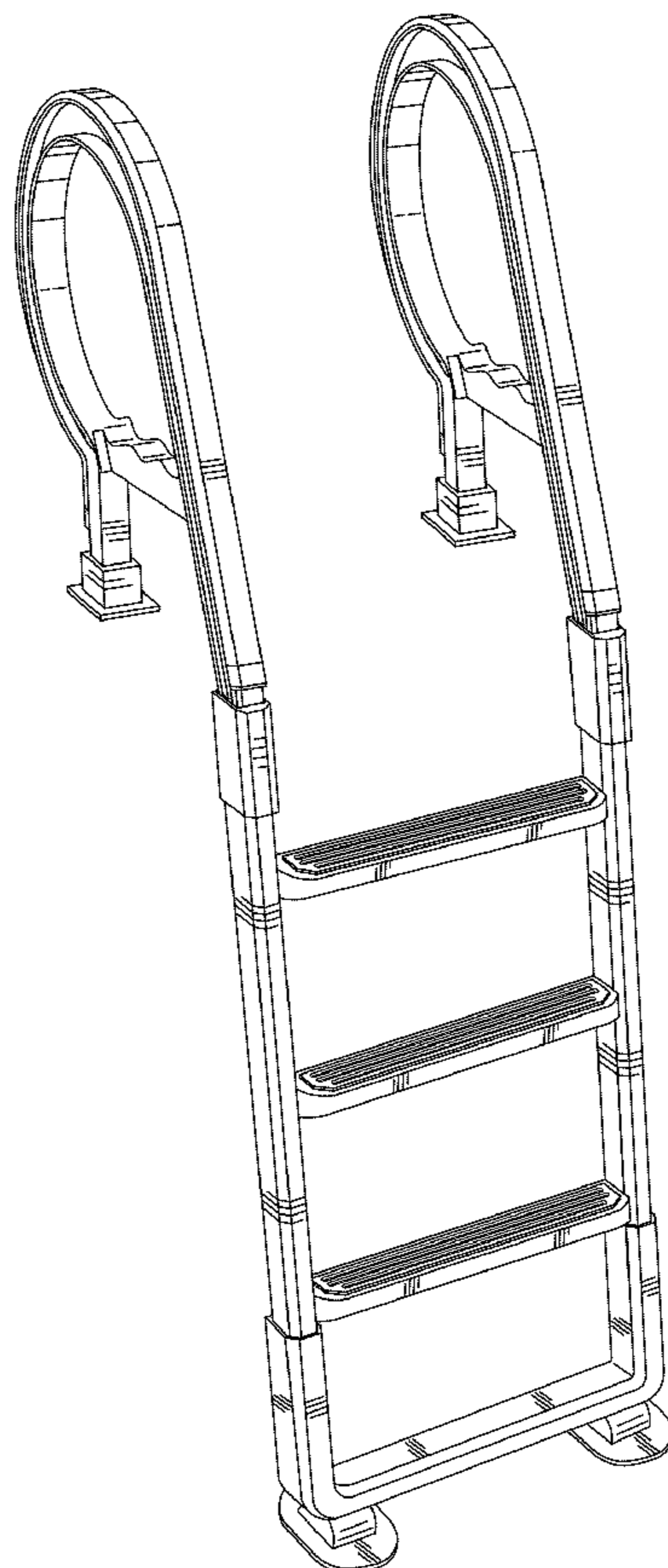
FIG. 4 is a left side view thereof;

FIG. 5 is a right view thereof;

FIG. 6 is a top view thereof; and,

FIG. 7 is a bottom view thereof.

1 Claim, 6 Drawing Sheets



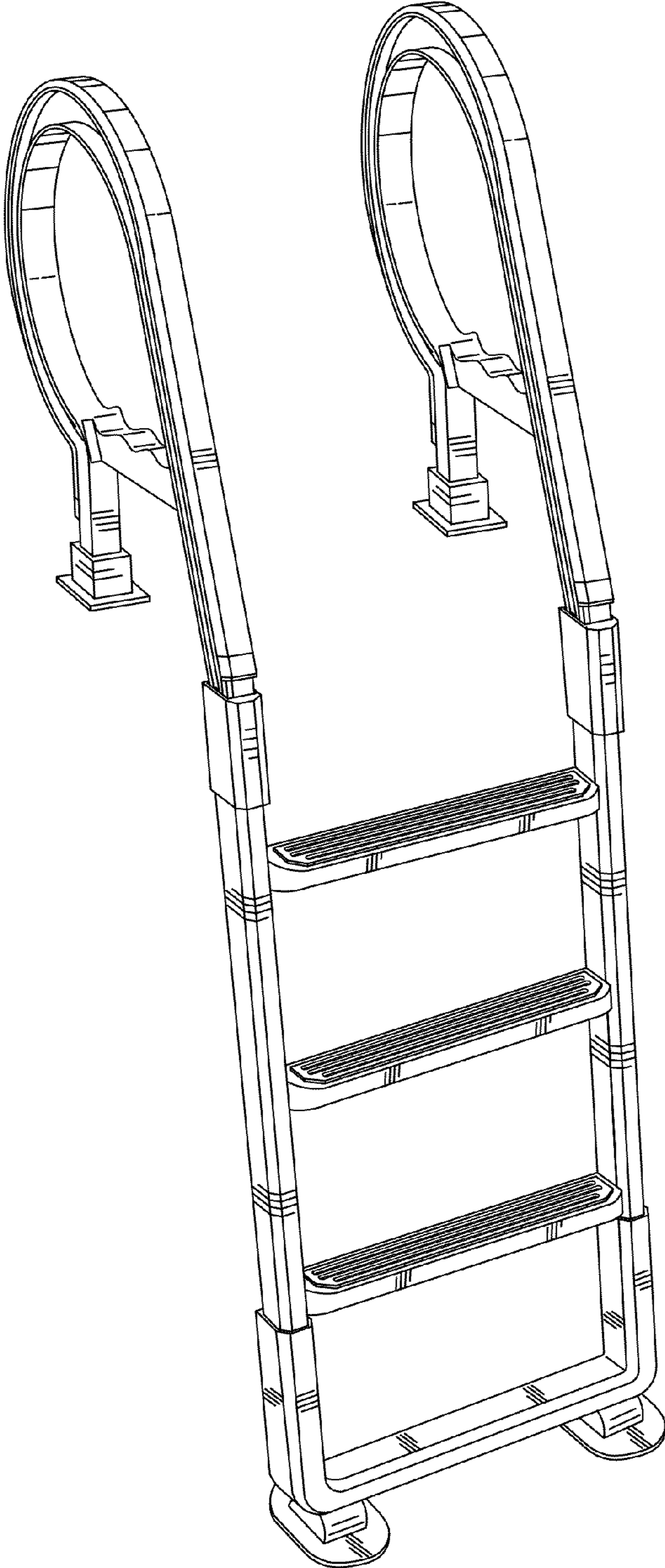


FIG. 1

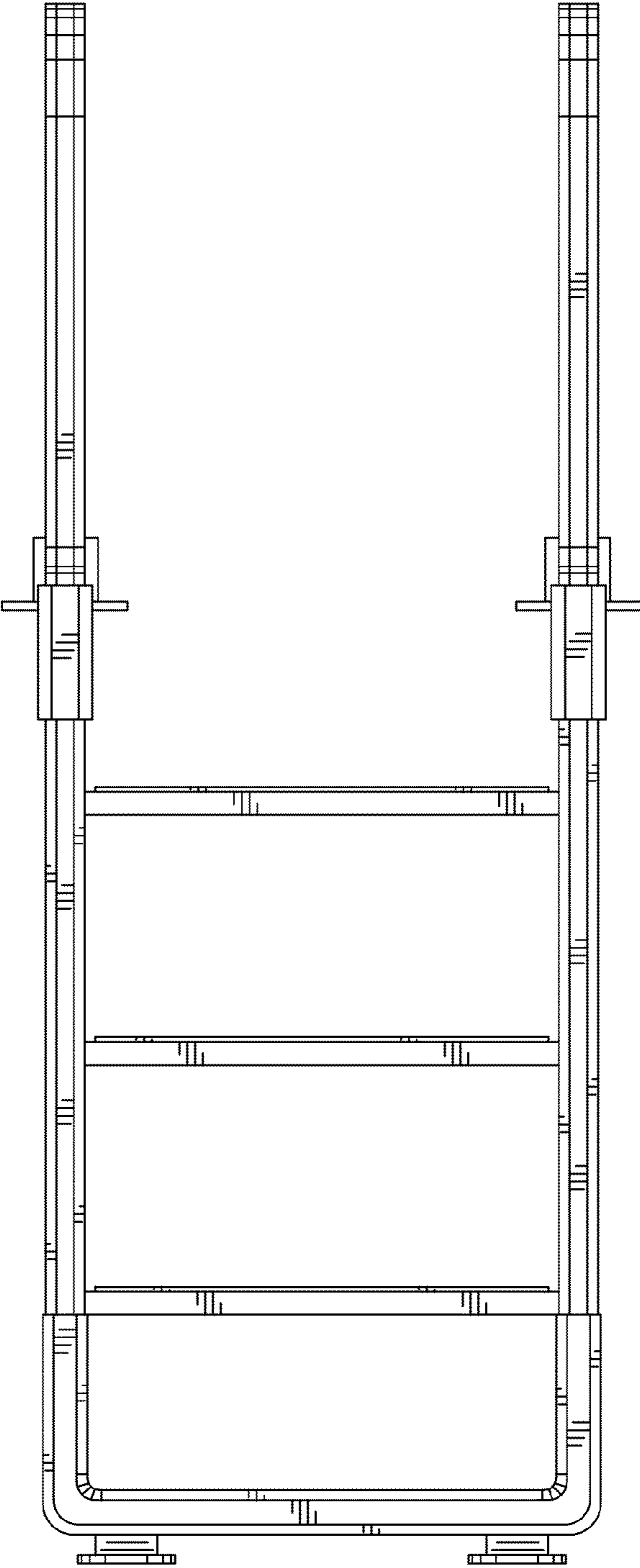


FIG. 2

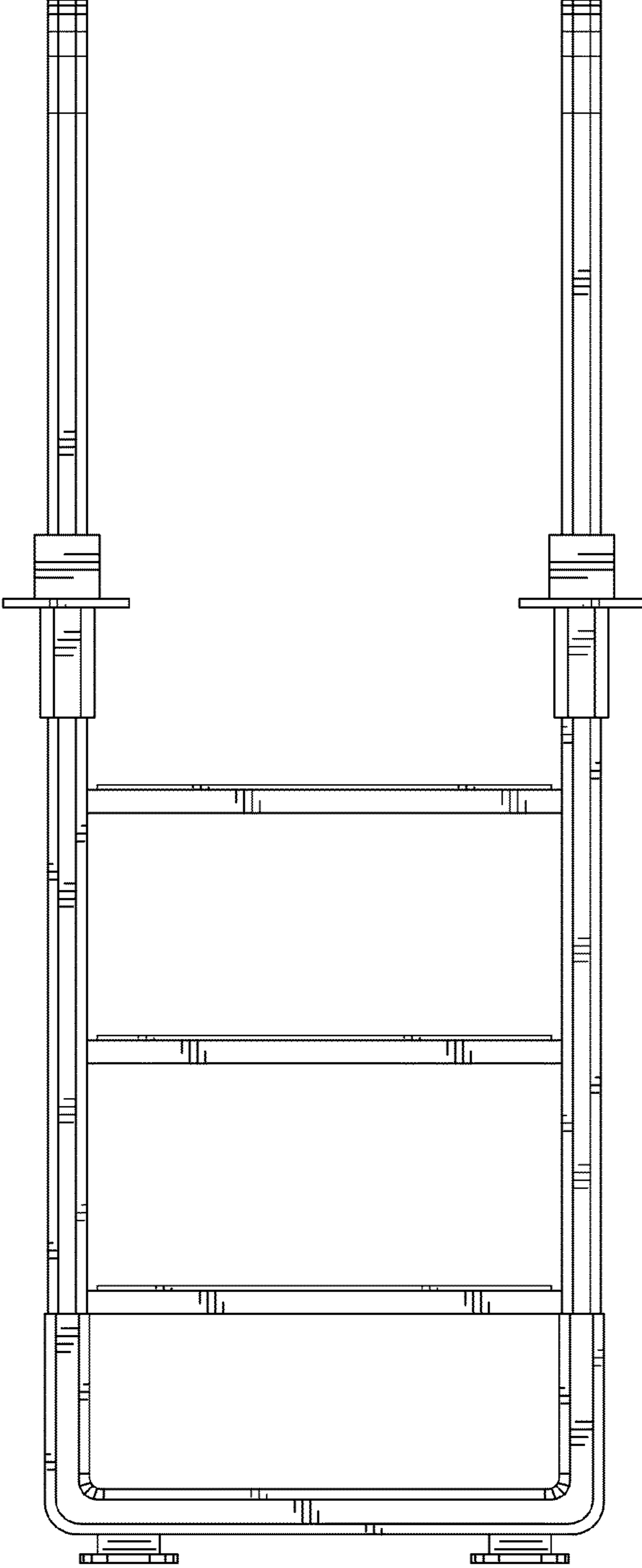


FIG. 3

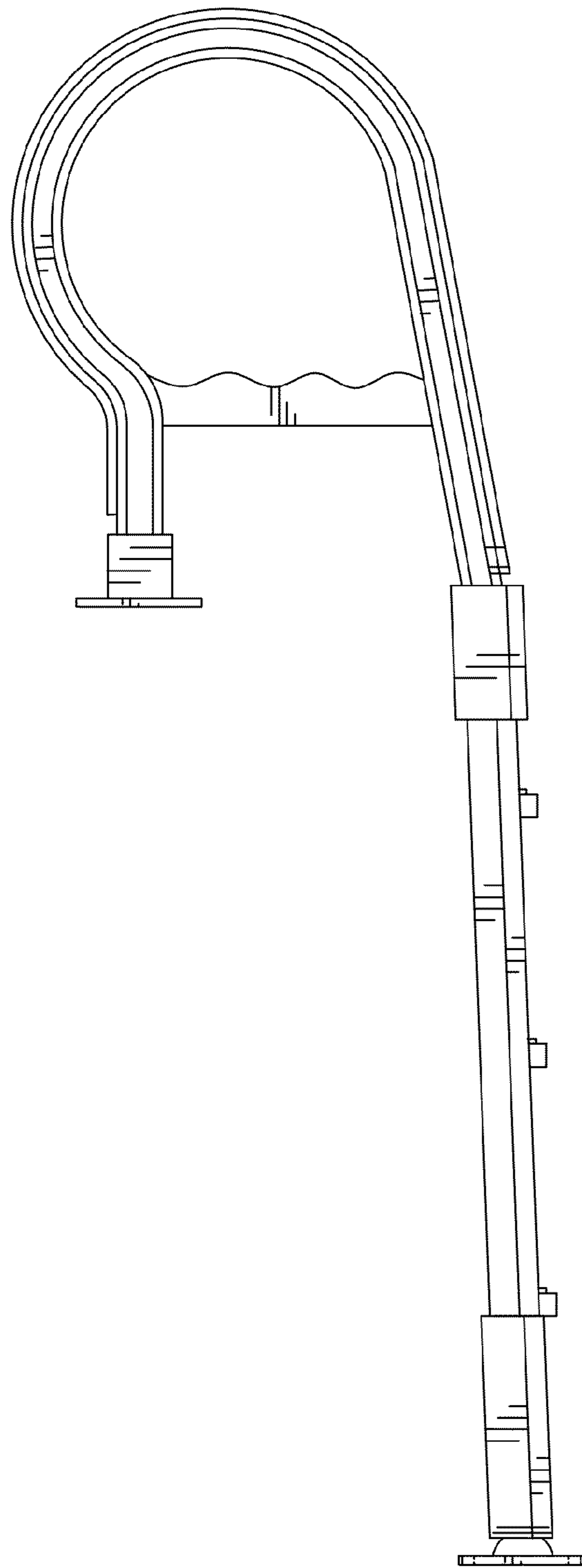


FIG. 4

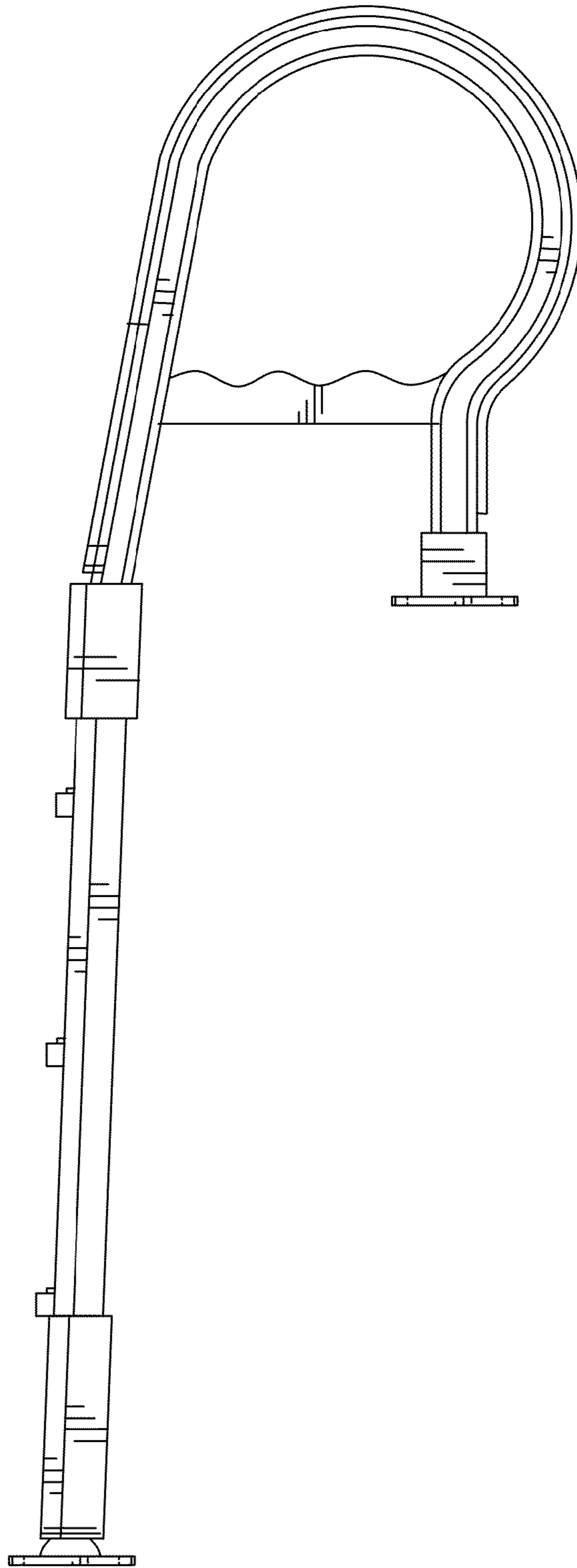


FIG. 5

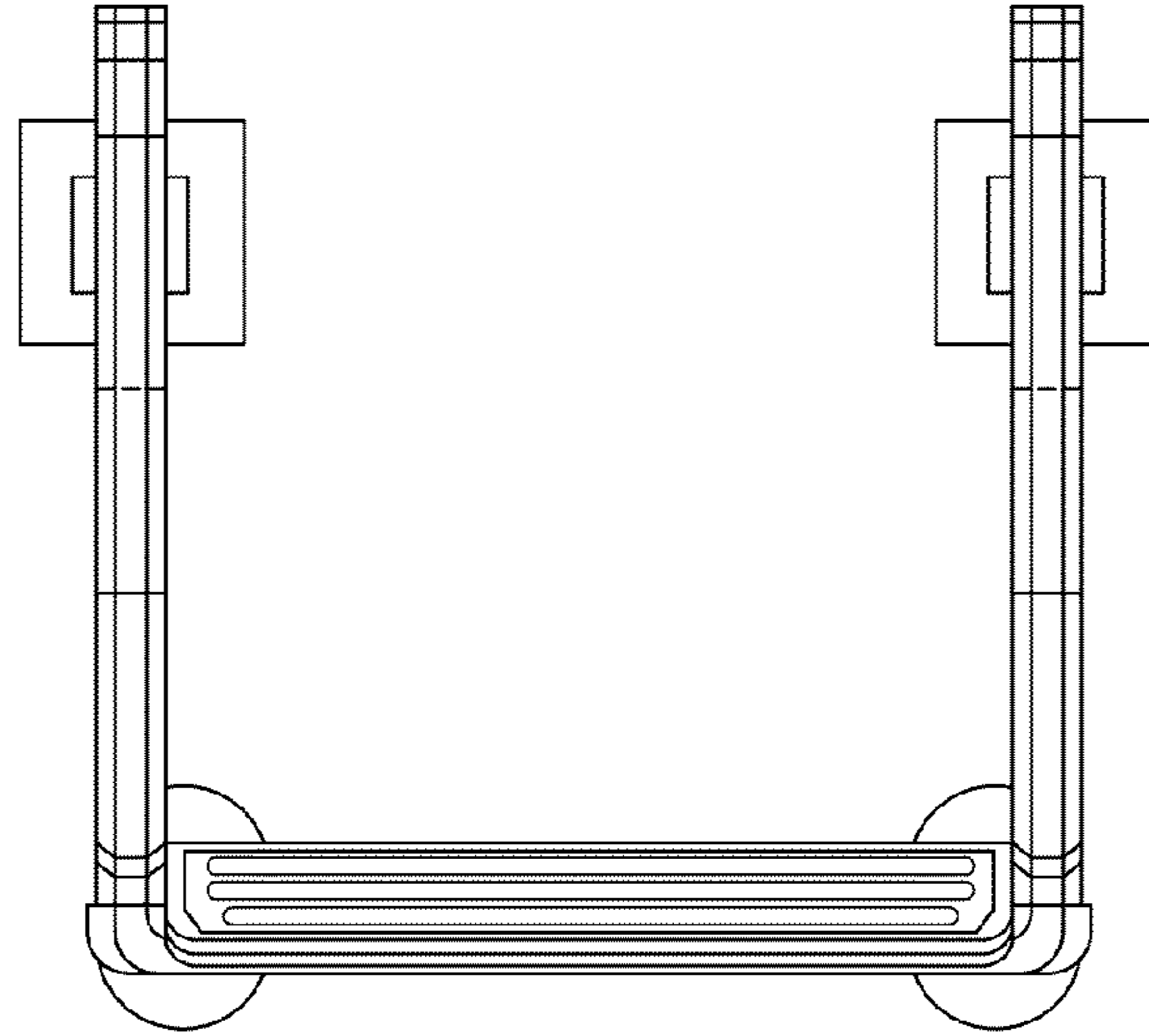


FIG. 6

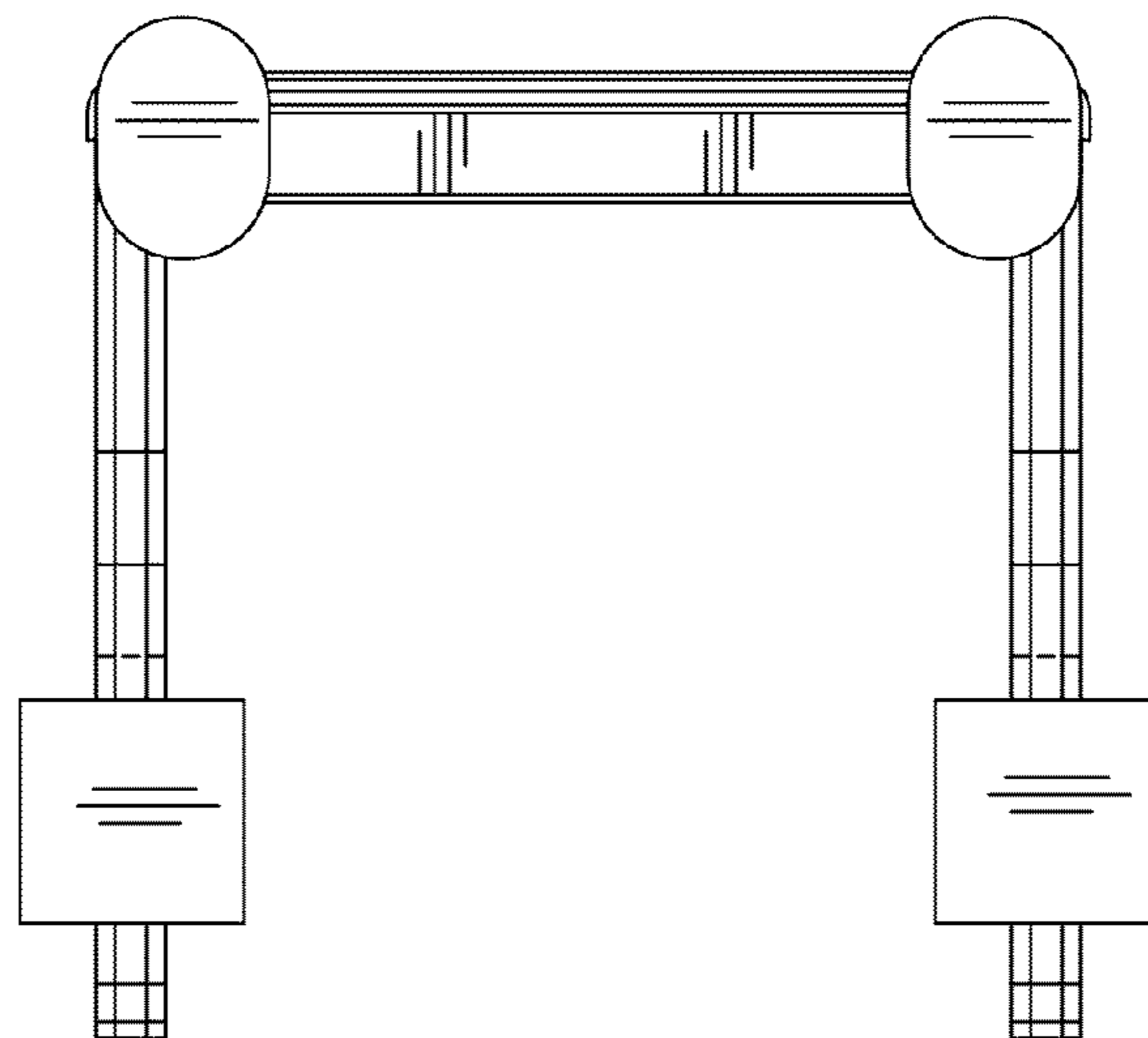


FIG. 7