



US00D723712S

(12) **United States Design Patent**
Tajima et al.

(10) **Patent No.:** **US D723,712 S**
(45) **Date of Patent:** **** Mar. 3, 2015**

(54) **PLATE FOR HOLDING PLURALITY OF REACTION VESSELS**

(71) Applicant: **Universal Bio Research Co., Ltd.**,
Matsudo-shi, Chiba (JP)

(72) Inventors: **Hideji Tajima**, Matsudo (JP); **Masaki Mamiya**, Matsudo (JP)

(73) Assignee: **University Bio Research Co., Ltd.**,
Chiba (JP)

(**) Term: **14 Years**

(21) Appl. No.: **29/437,592**

(22) Filed: **Nov. 19, 2012**

(30) **Foreign Application Priority Data**

Oct. 29, 2012 (JP) 2012-26294

(51) **LOC (10) Cl.** **24-02**

(52) **U.S. Cl.**
USPC **D24/227**

(58) **Field of Classification Search**
USPC D24/108, 127-130, 216, 224, 226-232,
D24/221; 422/63-64, 99-104, 250, 266,
422/297, 300, 476; D3/313-314; D6/469;
206/139, 210-203
See application file for complete search history.

(56) **References Cited**

U.S. PATENT DOCUMENTS

D323,400 S *	1/1992	Frenkel et al.	D24/230
D325,975 S *	5/1992	Grade et al.	D24/230
D333,522 S *	2/1993	Gianino	D24/229
D333,523 S *	2/1993	Gianino	D24/229
D359,127 S *	6/1995	Biesecker	D24/227
D360,321 S *	7/1995	Wang et al.	D6/469
D381,515 S *	7/1997	Haynes	D3/313
D413,391 S *	8/1999	Lapeus et al.	D24/227

D413,677 S *	9/1999	Dumitrescu et al.	D24/229
D448,854 S *	10/2001	Kuiper et al.	D24/230
D482,454 S *	11/2003	Gebrian	D24/224
D484,989 S *	1/2004	Gebrian	D24/230
D487,518 S *	3/2004	Ganz et al.	D24/227
D501,679 S *	2/2005	Smith	D24/227
D596,758 S *	7/2009	Constable	D24/230
D598,566 S *	8/2009	Allaer	D24/230
D620,606 S *	7/2010	Wilson et al.	D24/230
D651,802 S *	1/2012	Riedesel et al.	D3/313
D653,767 S *	2/2012	Lovshe	D24/230
D669,597 S *	10/2012	Cavada et al.	D24/224
D672,881 S *	12/2012	Kraihanzel	D24/224

OTHER PUBLICATIONS

U.S. Appl. No. 29/437,580, filed Nov. 19, 2012, Universal Bio Research Co., Ltd.

* cited by examiner

Primary Examiner — T. Chase Nelson

Assistant Examiner — Mark Cavanna

(74) *Attorney, Agent, or Firm* — Haynes and Boone, LLP

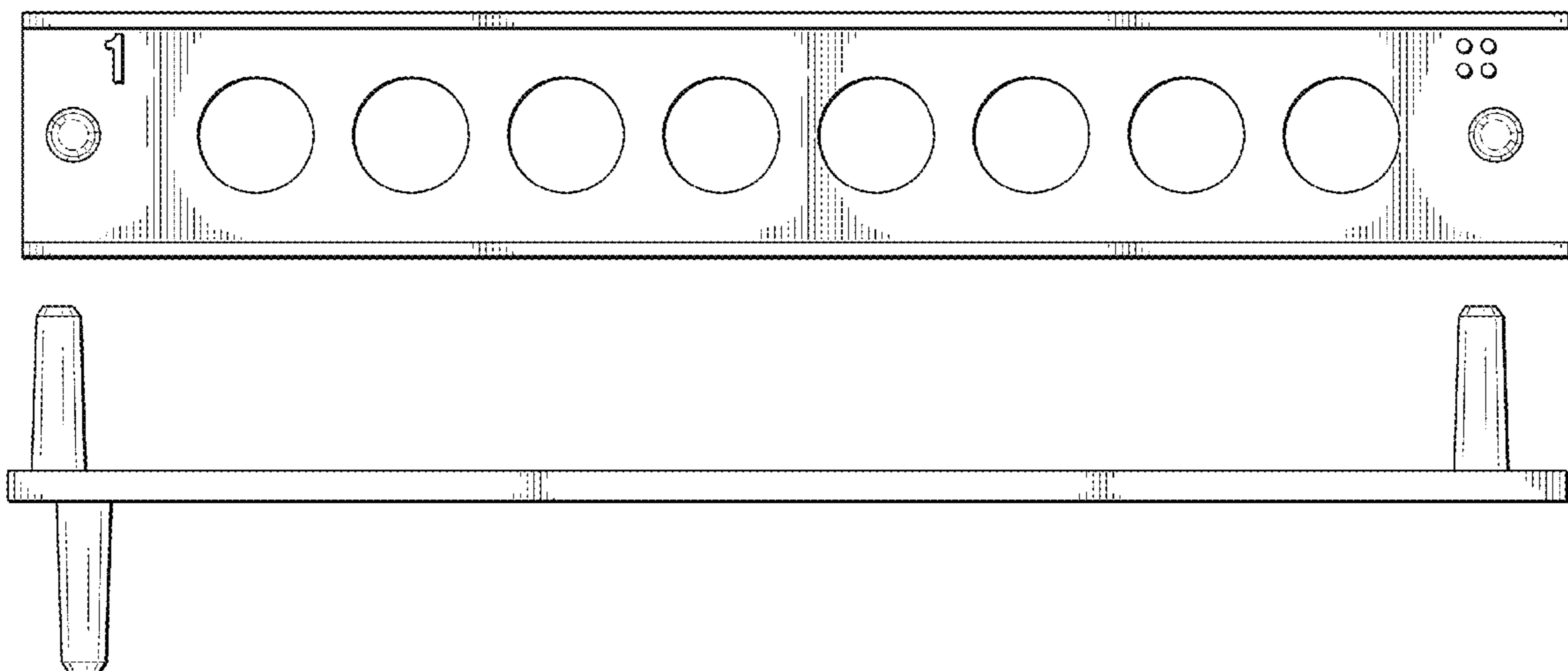
(57) **CLAIM**

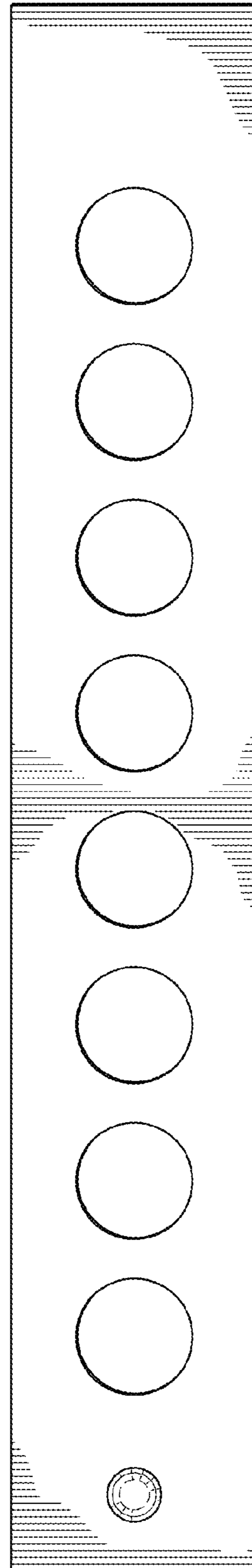
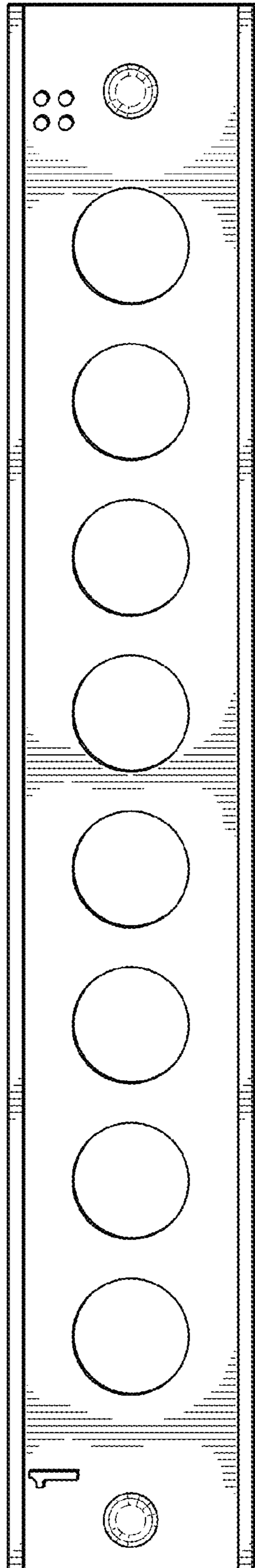
The ornamental design for a plate for holding plurality of reaction vessels, as shown and described.

DESCRIPTION

FIG. 1 is a top plan view of a plate for holding plurality of reaction vessels showing our new design;
FIG. 2 is a bottom plan view thereof;
FIG. 3 is a front elevational view thereof, the rear elevational view thereof being a mirror image of the front elevational view;
FIG. 4 is a right side elevational view thereof; and,
FIG. 5 is a left side elevational view thereof.
The broken lines are included for the purpose of illustrating portions of the plate for holding plurality of reaction vessels that forms no part of the claimed design.

1 Claim, 3 Drawing Sheets





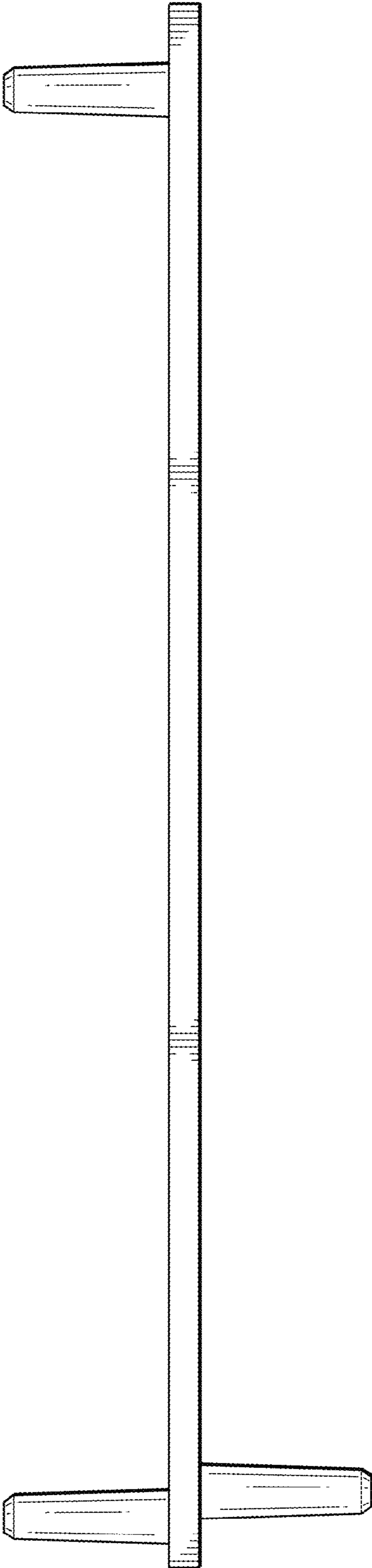


FIG. 3

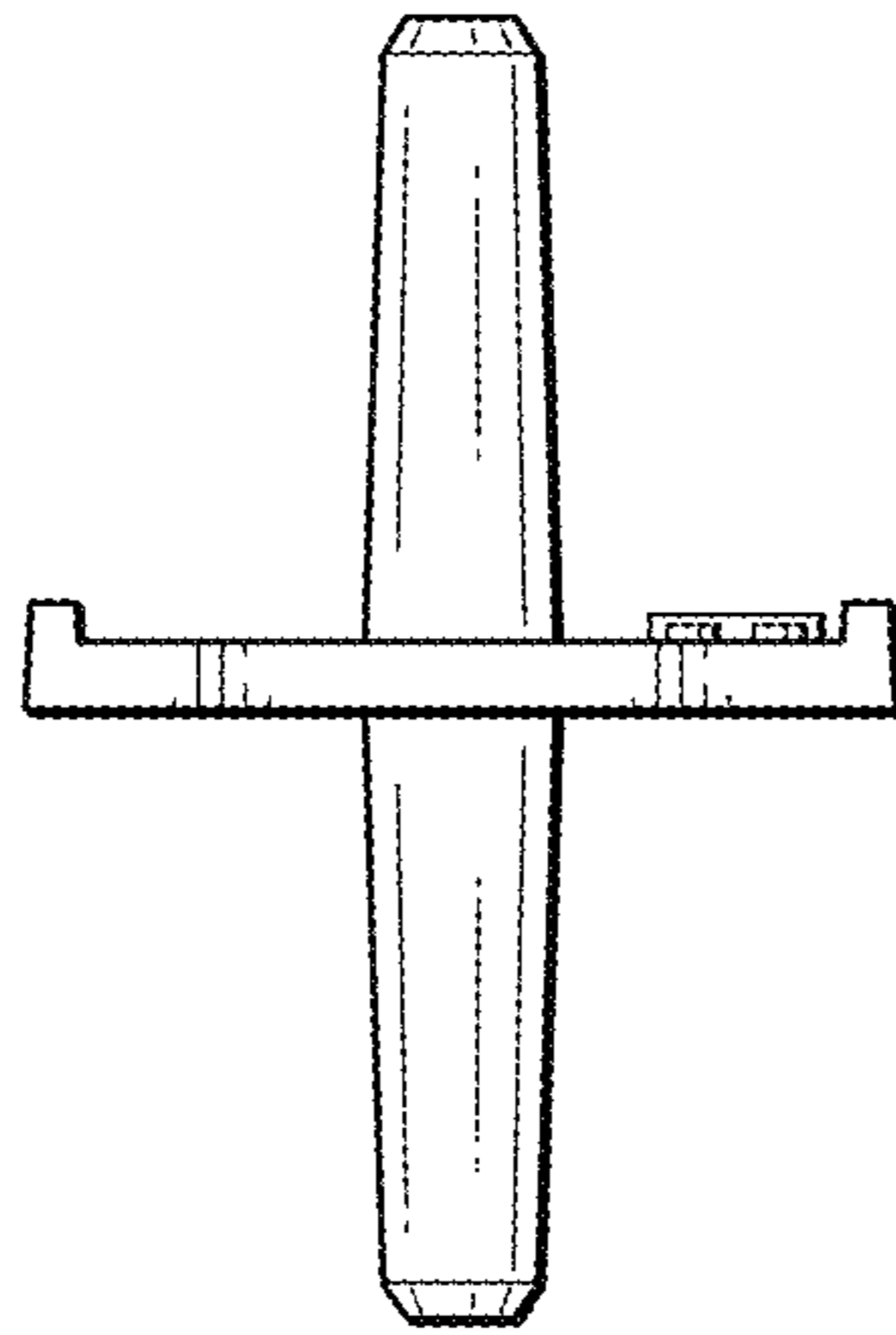


FIG. 4

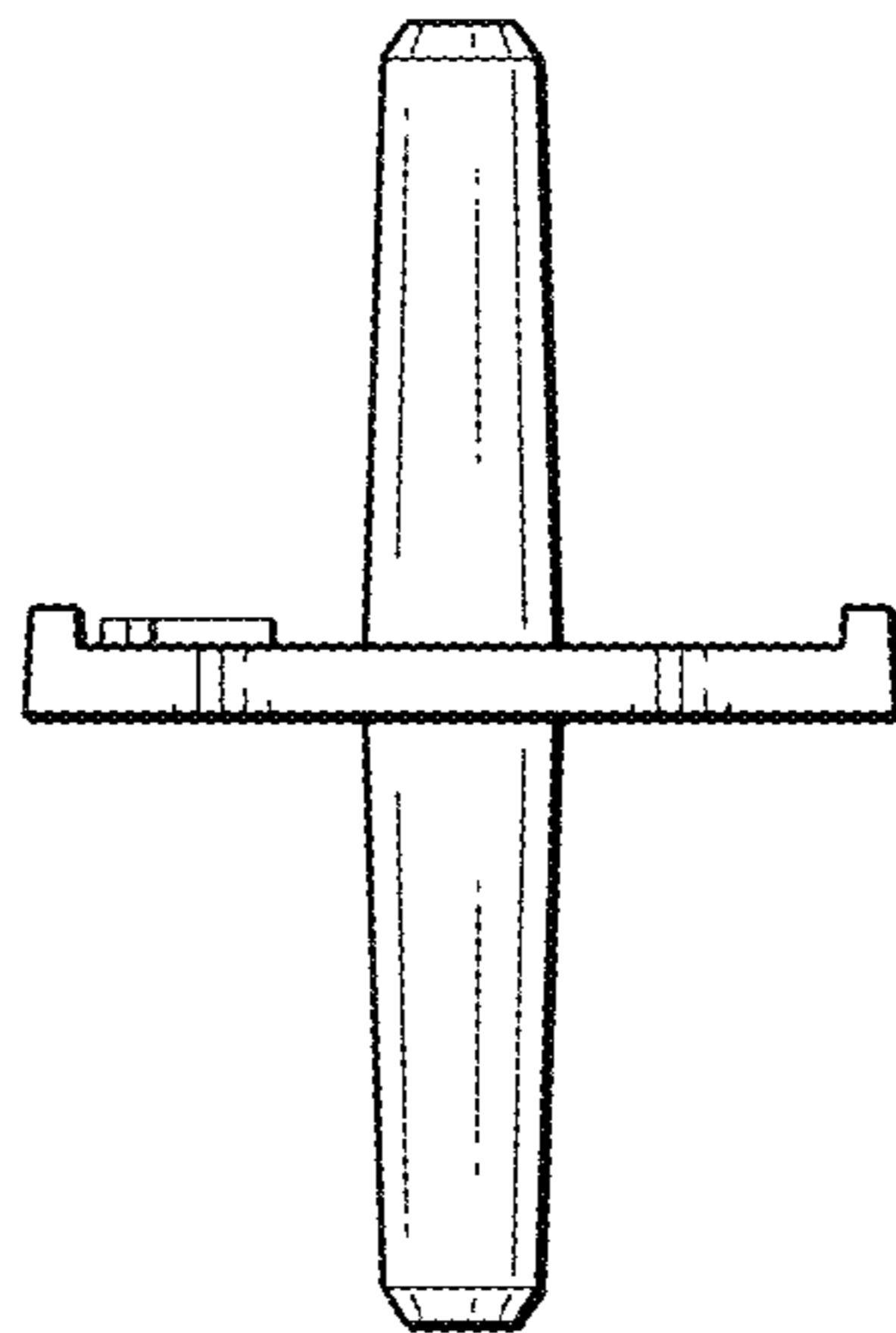


FIG. 5