



US00D723710S

(12) **United States Design Patent**
Ishibashi

(10) **Patent No.:** **US D723,710 S**
(45) **Date of Patent:** **** Mar. 3, 2015**

(54) **PORTABLE ROLLER MASSAGER**

DESCRIPTION

- (71) Applicant: **Jeanette Hong Ishibashi**, Los Gatos, CA (US)
- (72) Inventor: **Jeanette Hong Ishibashi**, Los Gatos, CA (US)
- (**) Term: **14 Years**
- (21) Appl. No.: **29/499,873**
- (22) Filed: **Aug. 19, 2014**
- (51) **LOC (10) Cl.** **28-03**
- (52) **U.S. Cl.**
USPC **D24/215**
- (58) **Field of Classification Search**
USPC D24/200, 211, 212, 213, 214, 215;
601/125, 134, 135, 136, 137; D21/406
See application file for complete search history.

(56) **References Cited**

U.S. PATENT DOCUMENTS

D271,051	S	*	10/1983	McCoy et al.	D24/211
4,878,489	A	*	11/1989	Kamayachi	601/72
D345,610	S	*	3/1994	Shih	D24/211
D347,898	S	*	6/1994	Belcher	D24/211
D398,400	S	*	9/1998	Havelind	D24/211
D417,319	S	*	11/1999	Weiss, Jr.	D30/160
6,267,738	B1	*	7/2001	Louis	601/137
D446,308	S	*	8/2001	Schmitmeyer	D24/200
D448,851	S	*	10/2001	Louis	D24/211
D495,422	S	*	8/2004	Chen	D24/211
D623,310	S	*	9/2010	Cheng	D24/211
D648,034	S	*	11/2011	Rice	D24/215
D704,852	S	*	5/2014	Yang	D24/211

* cited by examiner

Primary Examiner — Sandra Snapp

(74) *Attorney, Agent, or Firm* — Lathrop & Gage LLP

(57) **CLAIM**

The ornamental design for a portable roller massager, as shown and described.

FIG. 1 is a perspective view of my new design of a new portable roller massager shown in the open position. FIG. 2 is a top view of the roller massager shown in FIG. 1. FIG. 3 is a bottom view of the roller massager shown in FIG. 1. FIG. 4 is a right side view of the roller massager shown in FIG. 1. FIG. 5 is a left side view of the roller massager shown in FIG. 1. FIG. 6 is a front view of the roller massager shown in FIG. 1. FIG. 7 is a rear view of the roller massager shown in FIG. 1. FIG. 8 is a perspective view of my new roller massager design of FIG. 1 shown in a closed position. FIG. 9 is a top view of the roller massager shown in FIG. 8. FIG. 10 is a bottom view of the roller massager shown in FIG. 8. FIG. 11 is a right side view of the roller massager shown in FIG. 8. FIG. 12 is a left side view of the roller massager shown in FIG. 8. FIG. 13 is a front view of the roller massager shown in FIG. 8. FIG. 14 is a rear view of the roller massager shown in FIG. 8. FIG. 15 is a perspective view of a first alternative embodiment of my new roller massager design shown in an open position. FIG. 16 is a top view of the roller massager shown in FIG. 15. FIG. 17 is a bottom view of the roller massager shown in FIG. 15. FIG. 18 is a right side view of the roller massager shown in FIG. 15. FIG. 19 is a left side view of the roller massager shown in FIG. 15. FIG. 20 is a front view of the roller massager shown in FIG. 15. FIG. 21 is a rear view of the roller massager shown in FIG. 15. FIG. 22 is a perspective view of the first alternative embodiment of my new roller design of FIG. 15 shown in a closed position. FIG. 23 is a top view of the roller massager shown in FIG. 22. FIG. 24 is a bottom view of the roller massager shown in FIG. 22.

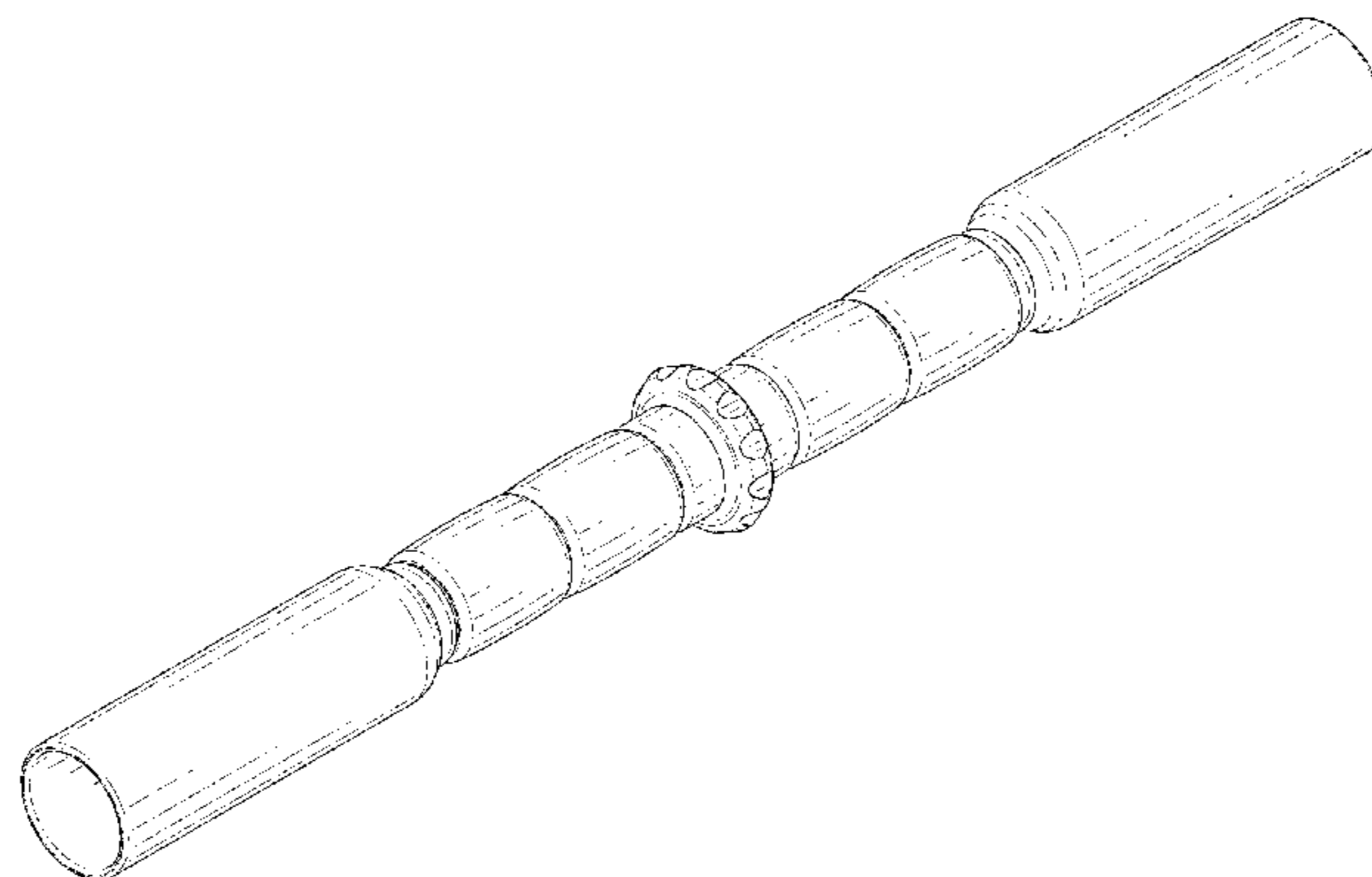


FIG. 25 is a right side view of the roller massager shown in FIG. 22.

FIG. 26 is a left side view of the roller massager shown in FIG. 22.

FIG. 27 is a front view of the roller massager shown in FIG. 22.

FIG. 28 is a rear view of the roller massager shown in FIG. 22.

FIG. 29 is a perspective view of a second alternative embodiment of my new roller massager design shown in an open position

FIG. 30 is a top view of the roller massager shown in FIG. 29.

FIG. 31 is a bottom view of the roller massager shown in FIG. 29.

FIG. 32 is a right side view of the roller massager shown in FIG. 29.

FIG. 33 is a left side view of the roller massager shown in FIG. 29.

FIG. 34 is a front view of the roller massager shown in FIG. 29.

FIG. 35 is a rear view of the roller massager shown in FIG. 29.

FIG. 36 is a perspective view of the second alternative embodiment of my new roller design of FIG. 29 shown in a closed position.

FIG. 37 is a top view of the roller massager shown in FIG. 36.

FIG. 38 is a bottom view of the roller massager shown in FIG. 36.

FIG. 39 is a right side view of the roller massager shown in FIG. 36.

FIG. 40 is a left side view of the roller massager shown in FIG. 36.

FIG. 41 is a front view of the roller massager shown in FIG. 36.

FIG. 42 is a rear view of the roller massager shown in FIG. 36. FIG. 43 is a perspective view of a third alternative embodiment of my new roller massager design shown in an open position.

FIG. 44 is a top view of the roller massager shown in FIG. 43.

FIG. 45 is a bottom view of the roller massager shown in FIG. 43.

FIG. 46 is a right side view of the roller massager shown in FIG. 43.

FIG. 47 is a left side view of the roller massager shown in FIG. 43.

FIG. 48 is a front view of the roller massager shown in FIG. 43.

FIG. 49 is a rear view of the roller massager shown in FIG. 43.

FIG. 50 is a perspective view of the third alternative embodiment of my new roller massager design of FIG. 43 shown in a closed position.

FIG. 51 is a top view of the roller massager shown in FIG. 50.

FIG. 52 is a bottom view of the roller massager shown in FIG. 50.

FIG. 53 is a right side view of the roller massager shown in FIG. 50.

FIG. 54 is a left side view of the roller massager shown in FIG. 50.

FIG. 55 is a front view of the roller massager shown in FIG. 50; and,

FIG. 56 is a rear view of the roller massager shown in FIG. 50.

1 Claim, 32 Drawing Sheets

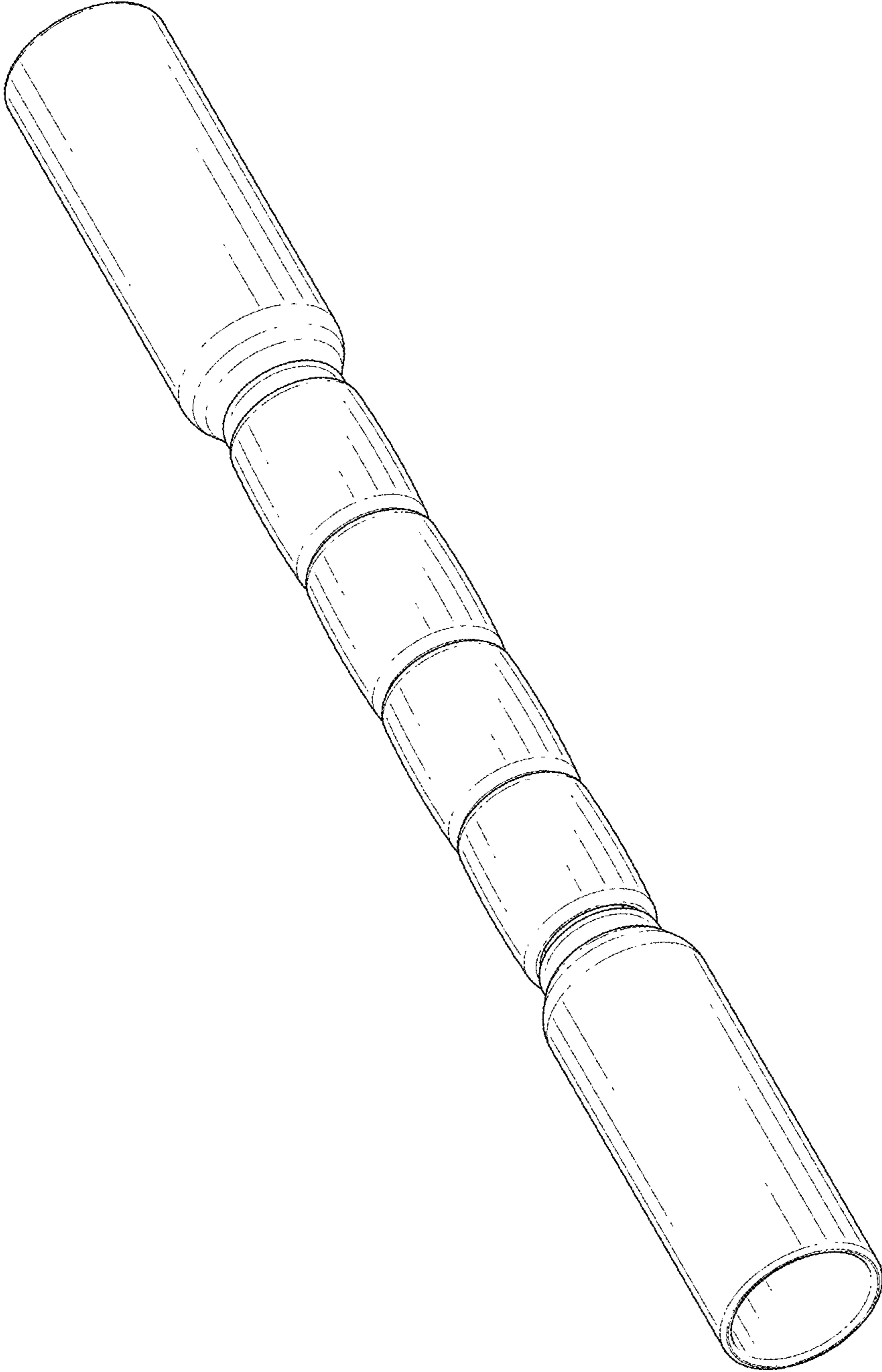


FIG. 1

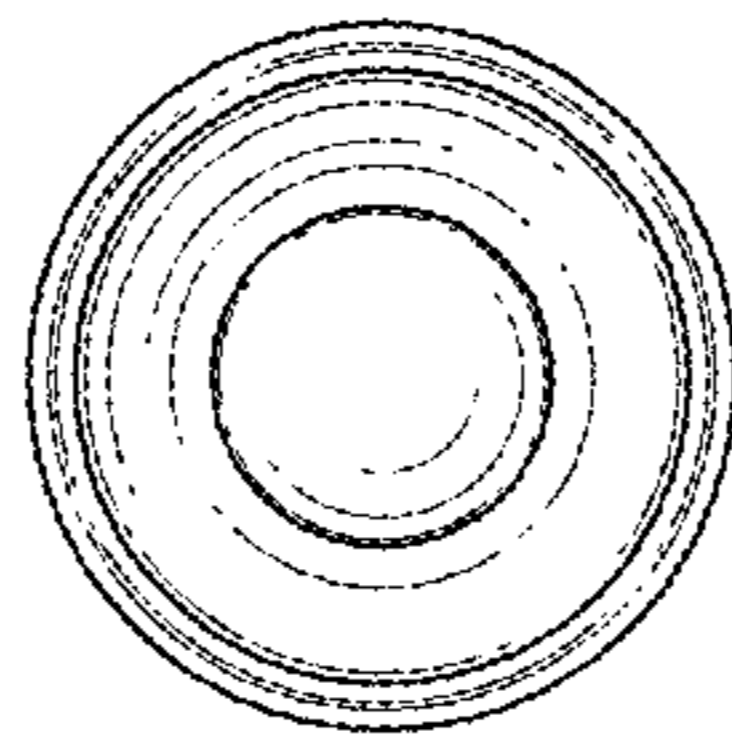


FIG. 2

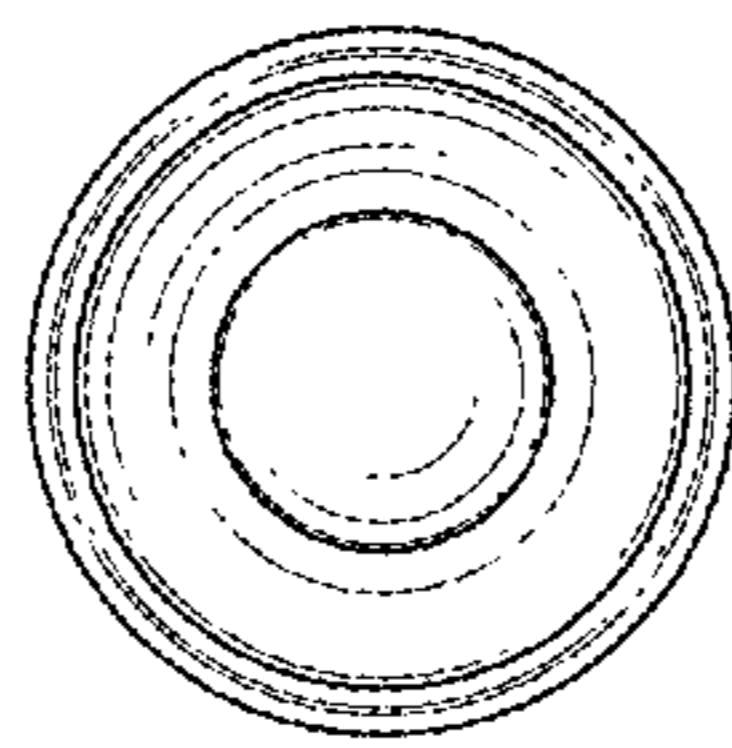


FIG. 3

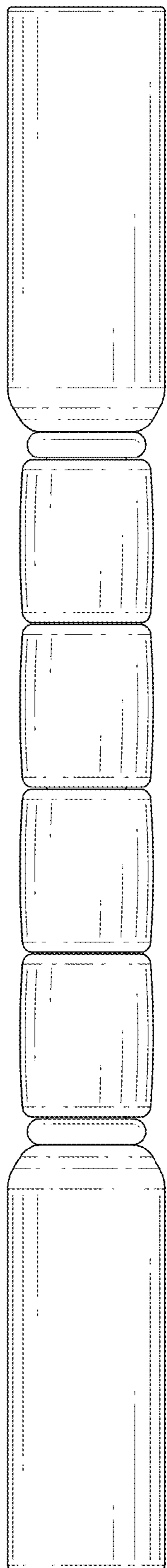


FIG. 4

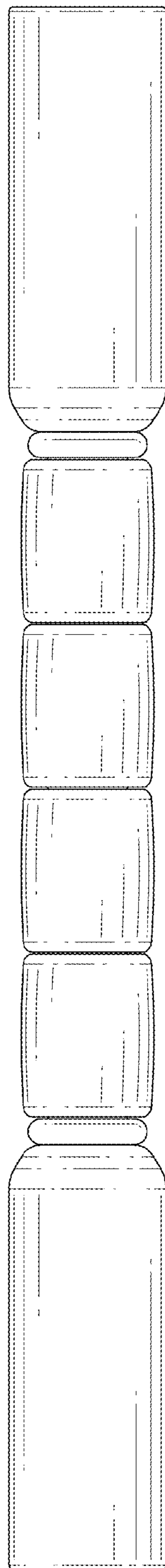


FIG. 5

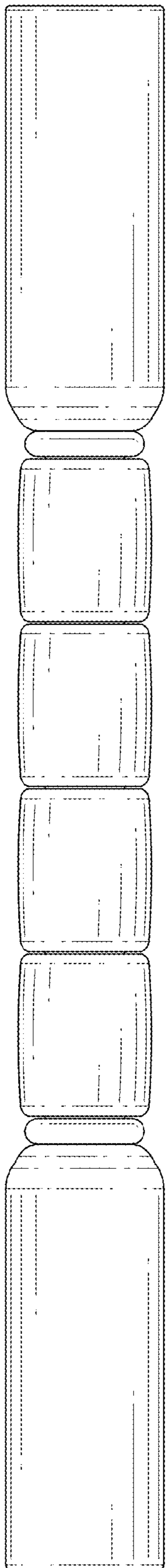


FIG. 6

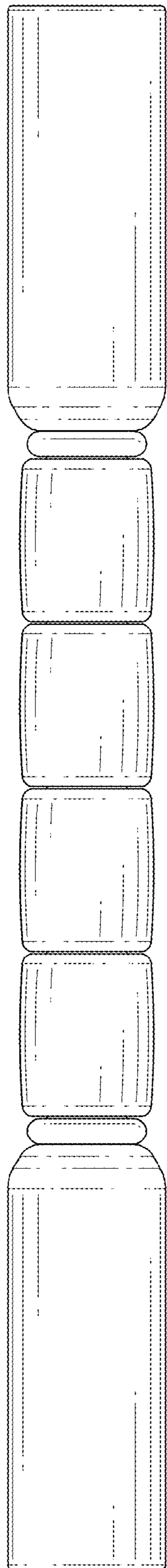


FIG. 7

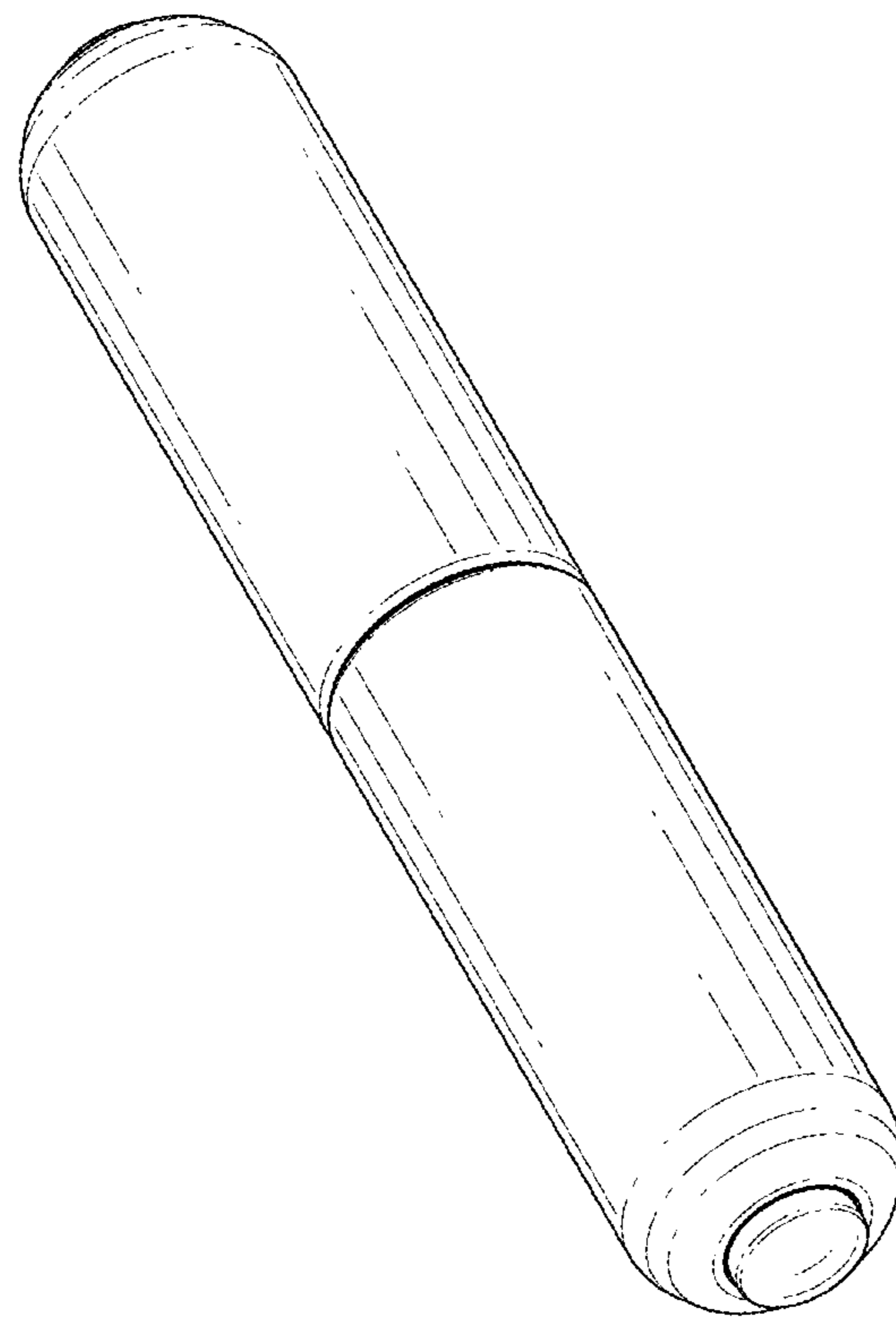


FIG. 8

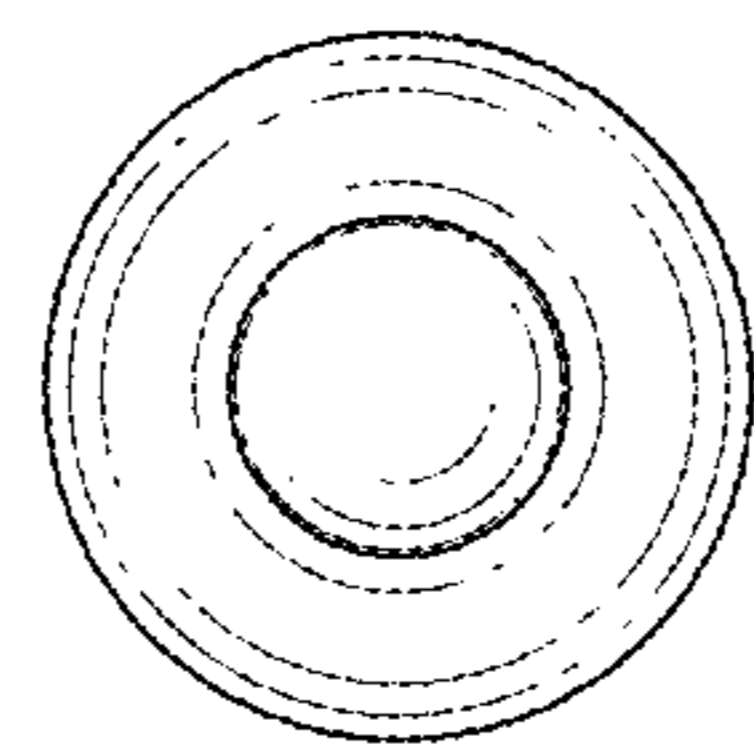


FIG. 9

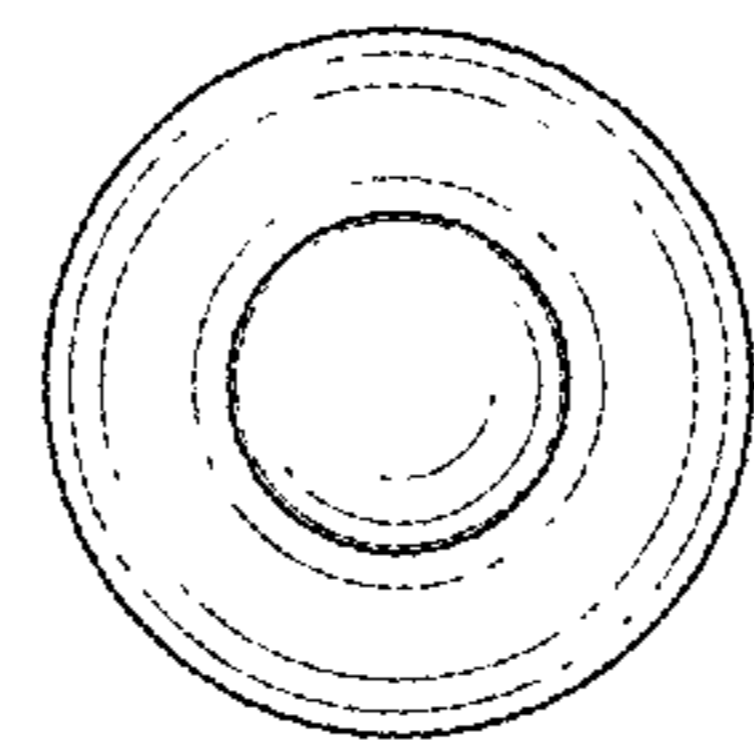


FIG. 10

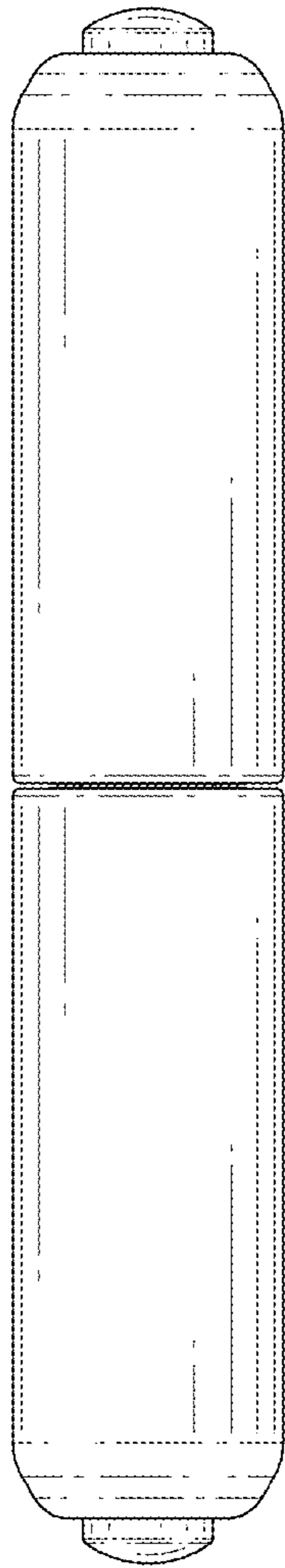


FIG. 11

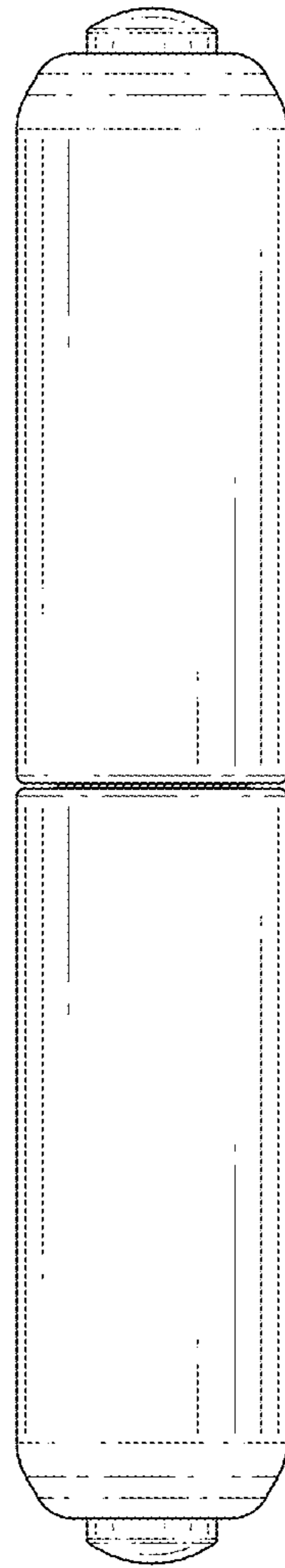


FIG. 12

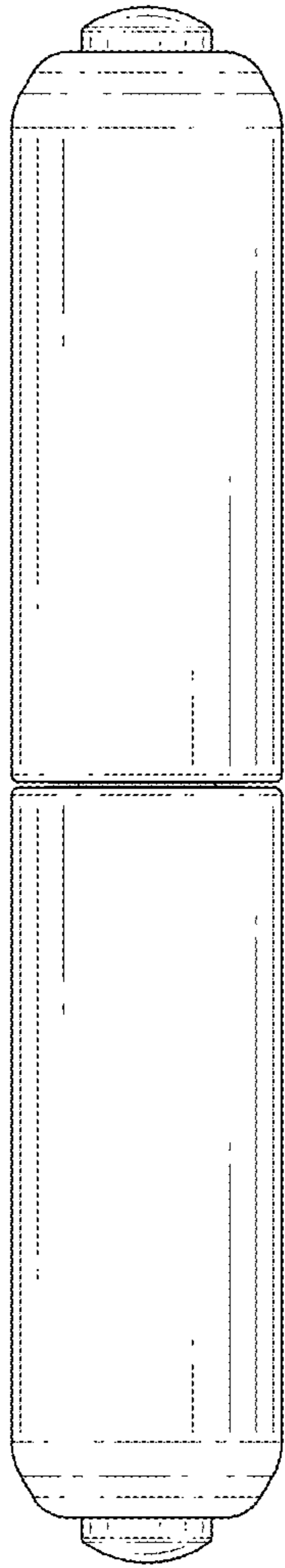


FIG. 13

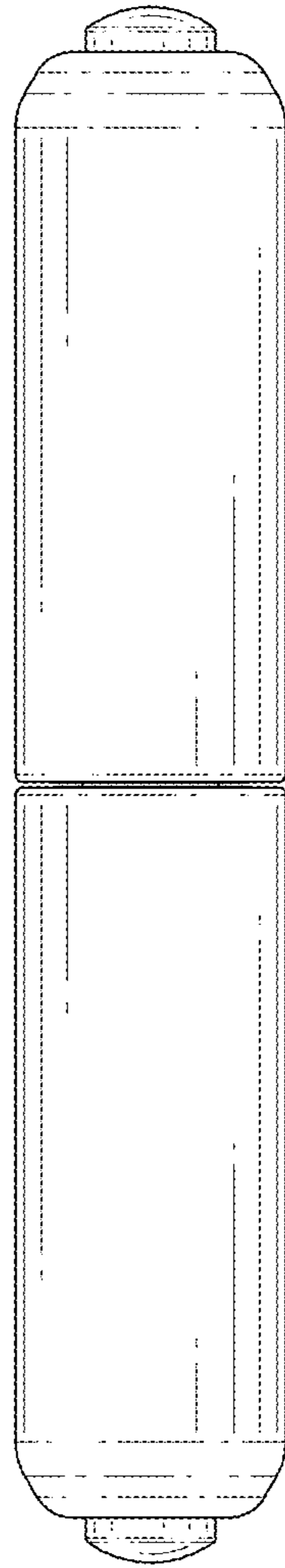


FIG. 14

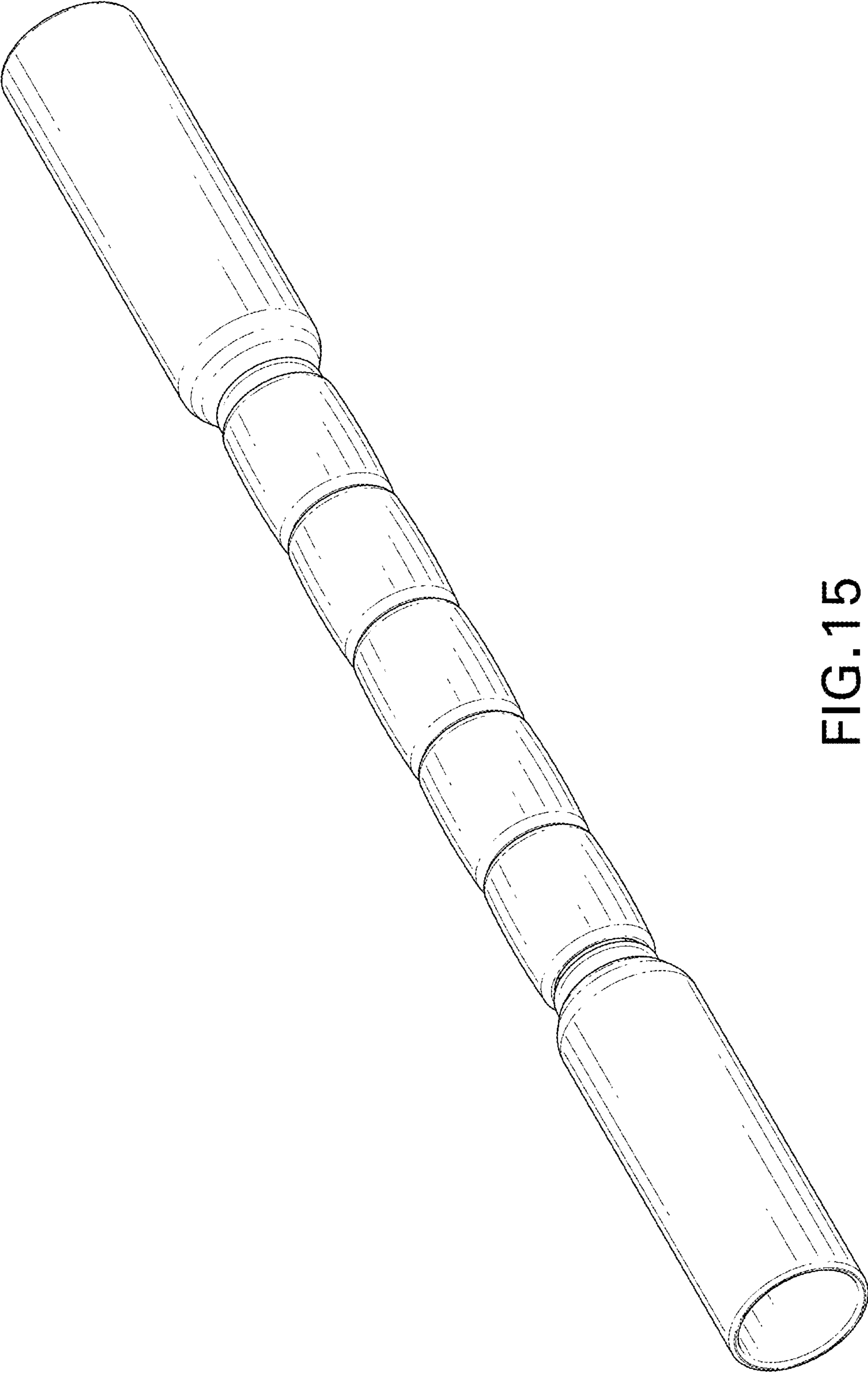


FIG. 15

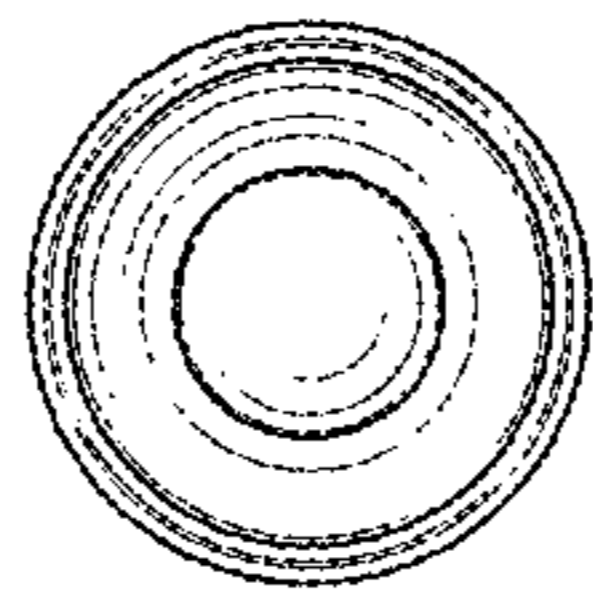


FIG. 16

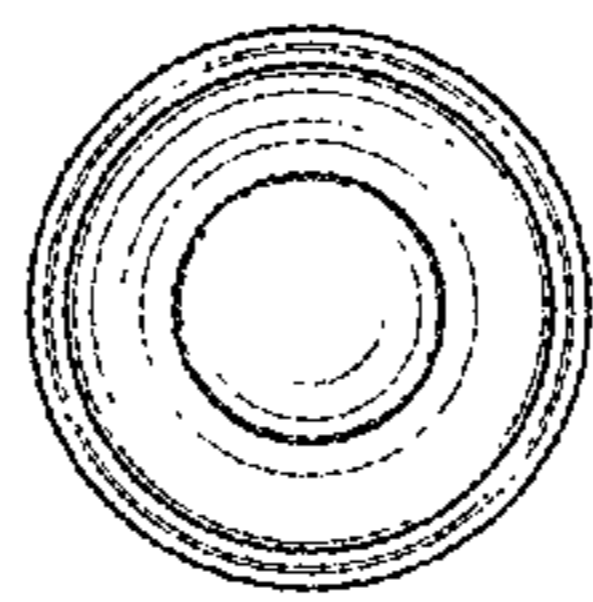


FIG. 17

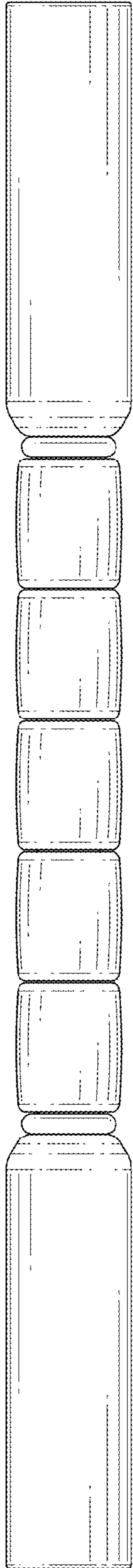


FIG. 18

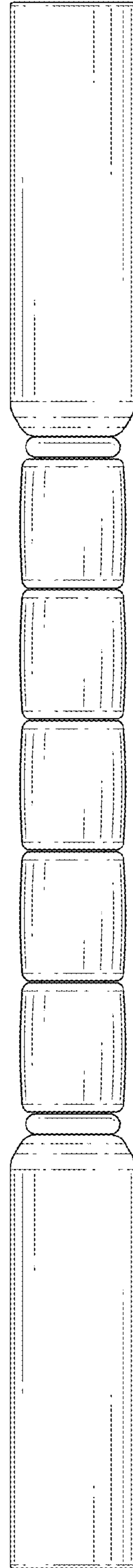


FIG. 19

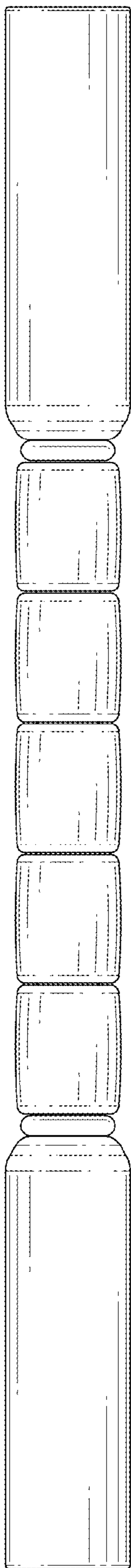


FIG. 20

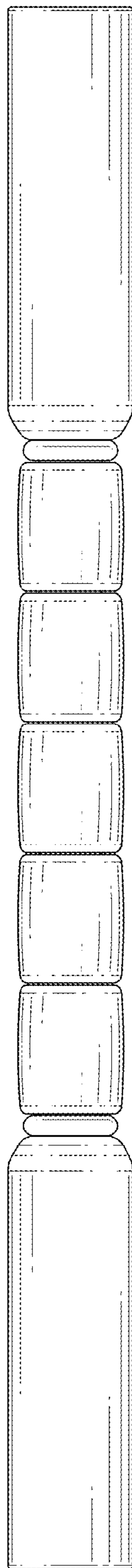


FIG. 21

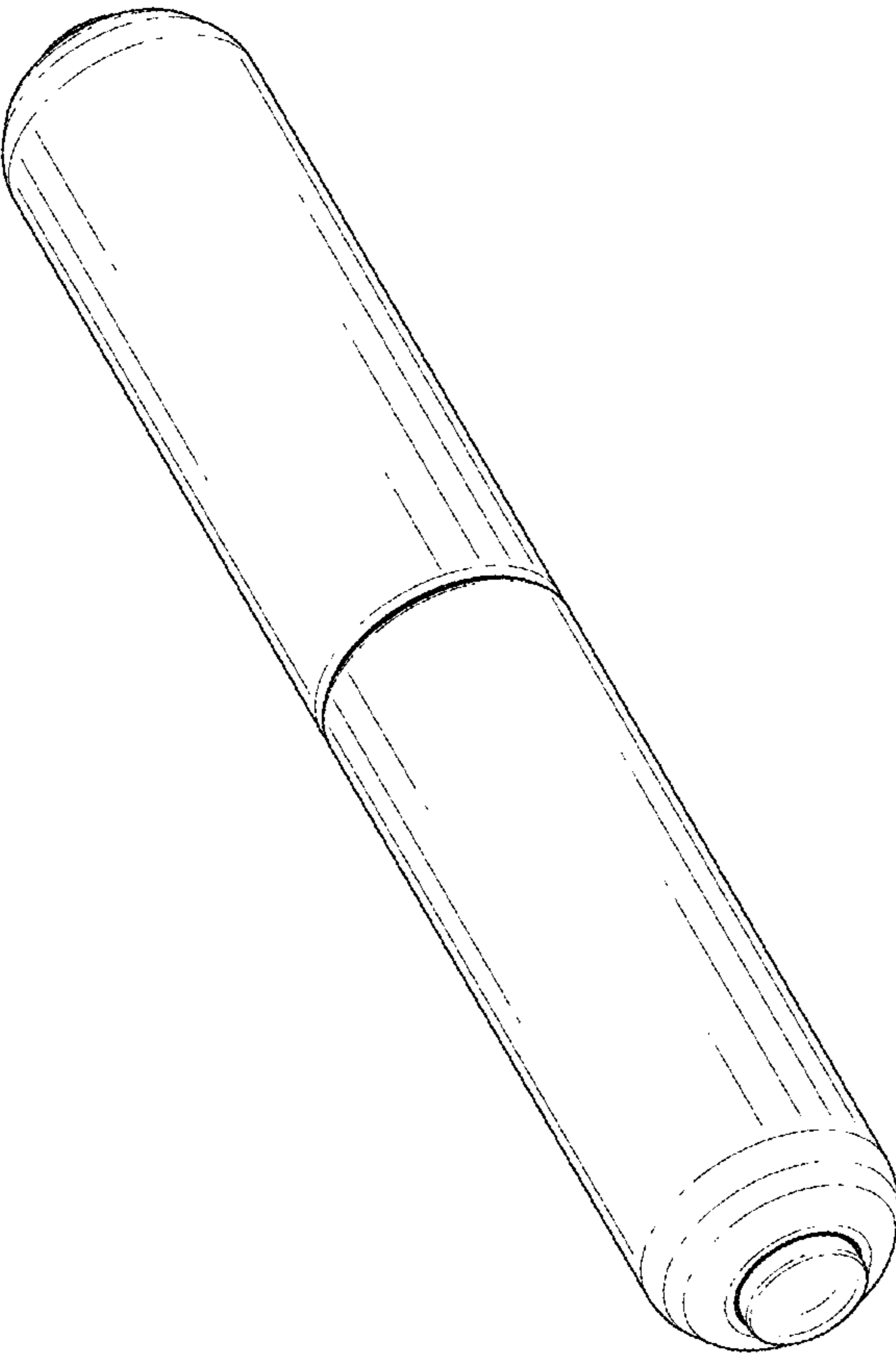


FIG. 22

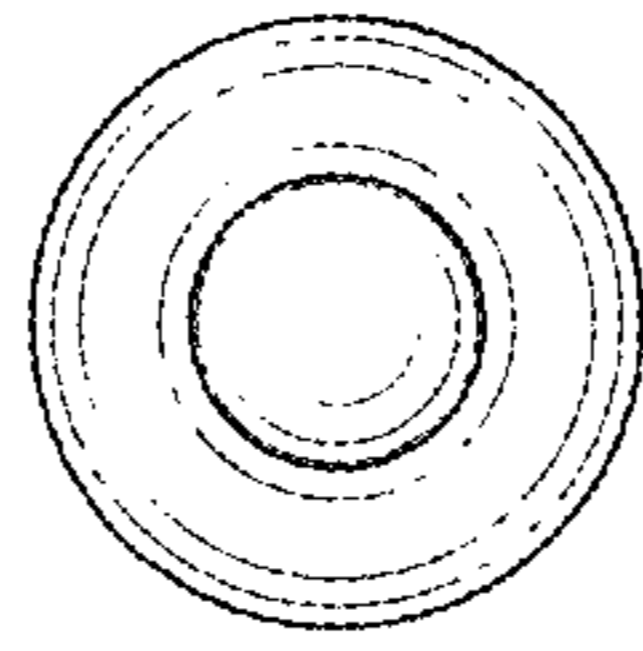


FIG. 23

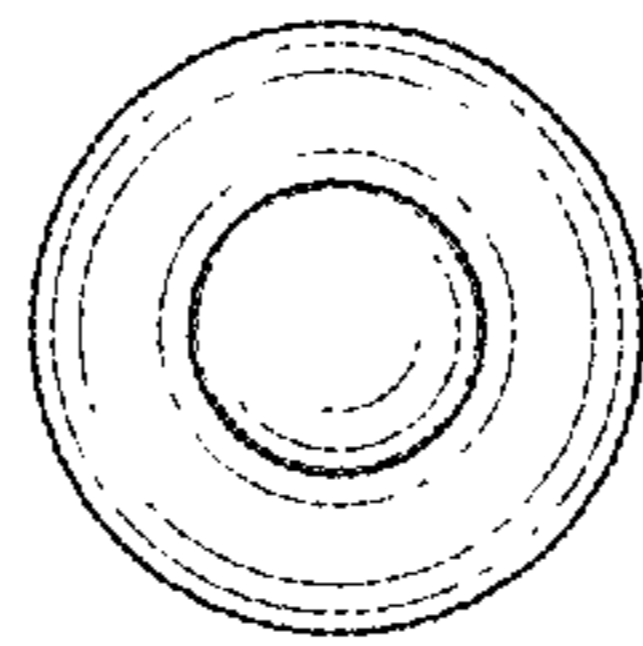


FIG. 24

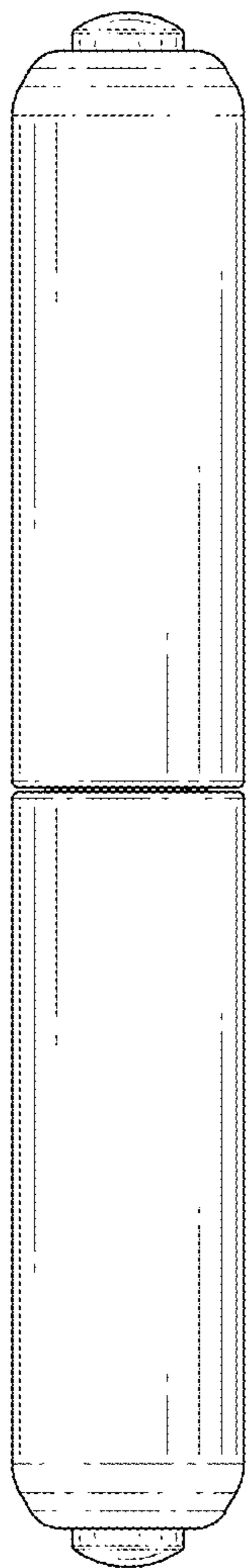


FIG. 25

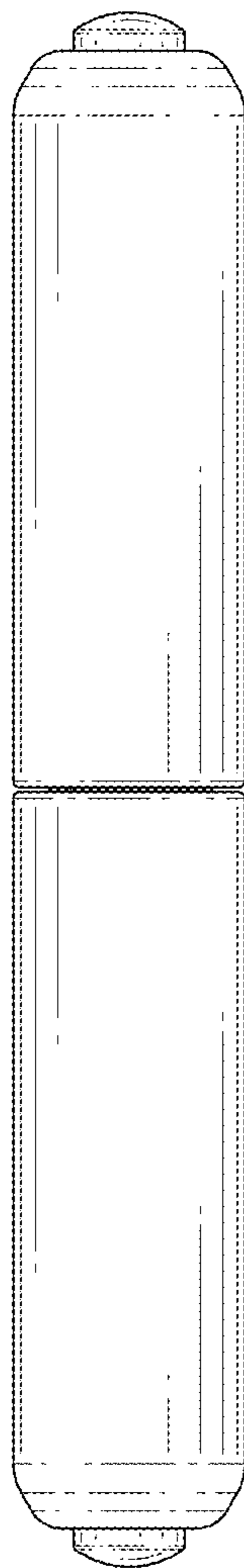


FIG. 26

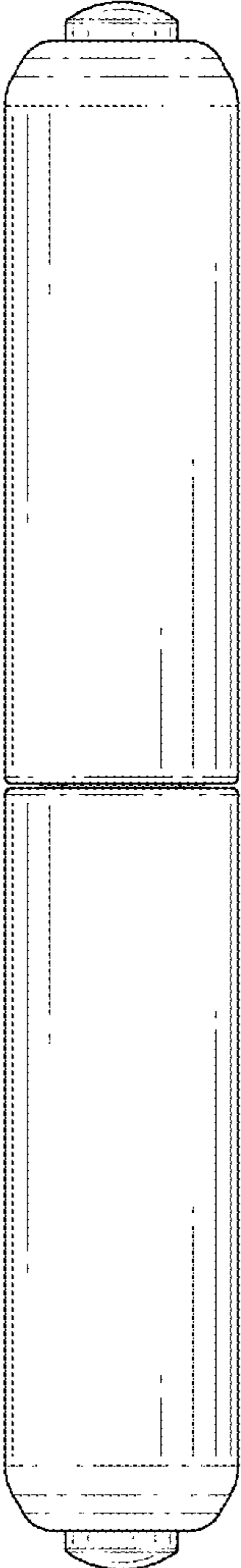


FIG. 27

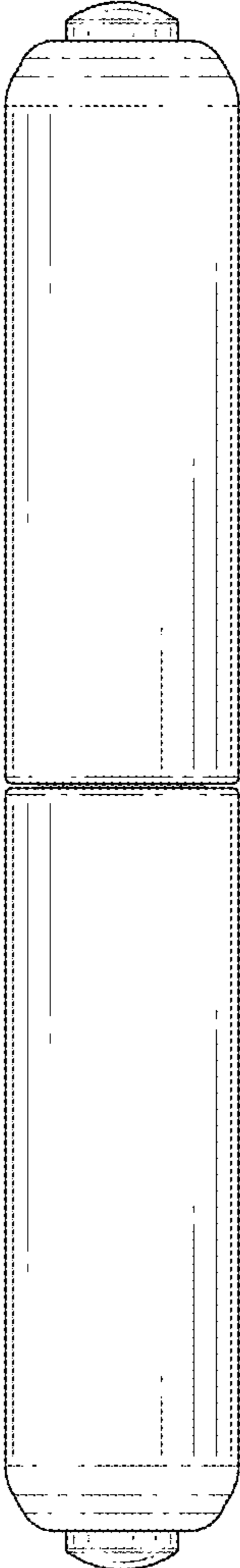


FIG. 28

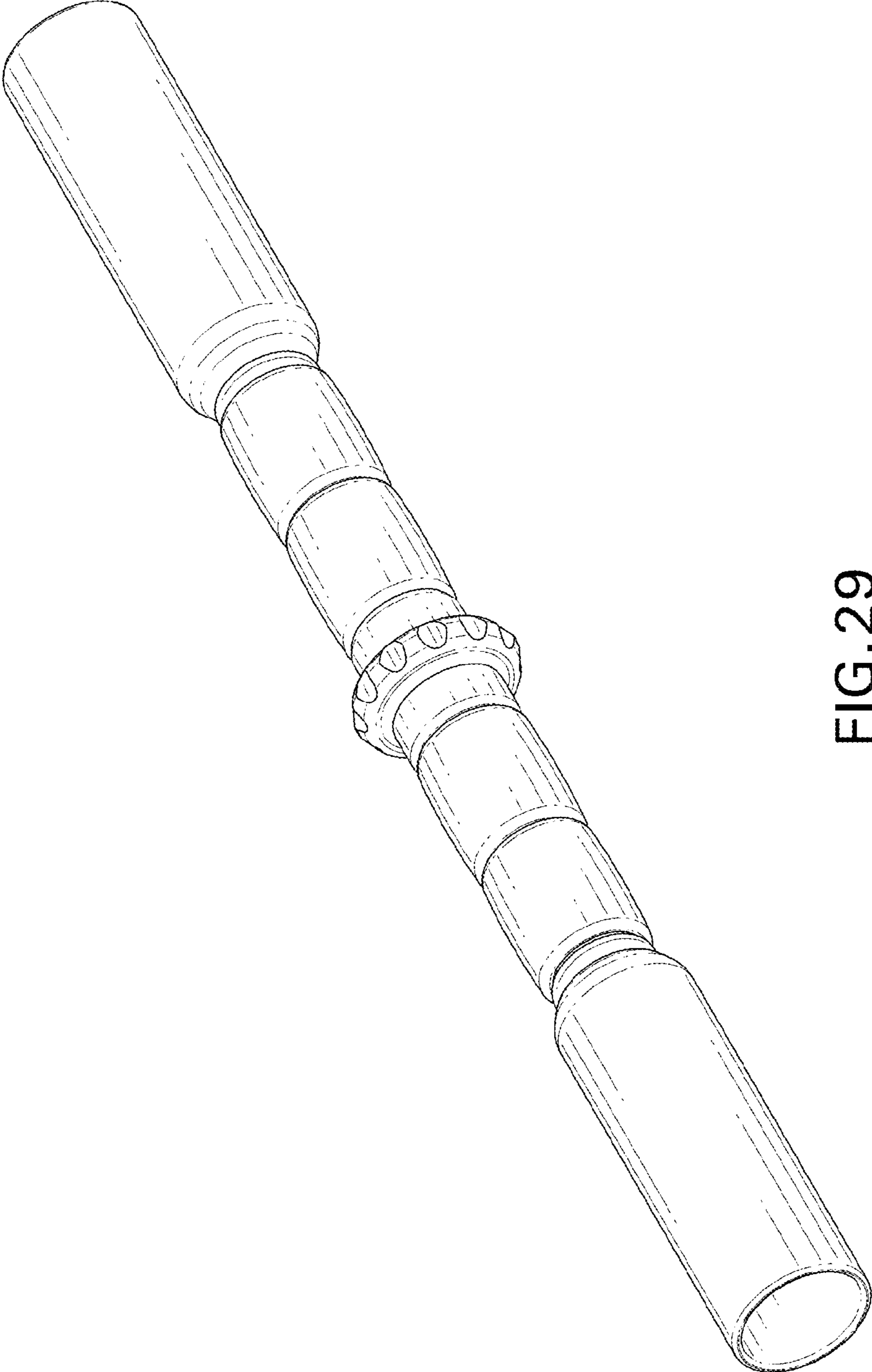


FIG. 29

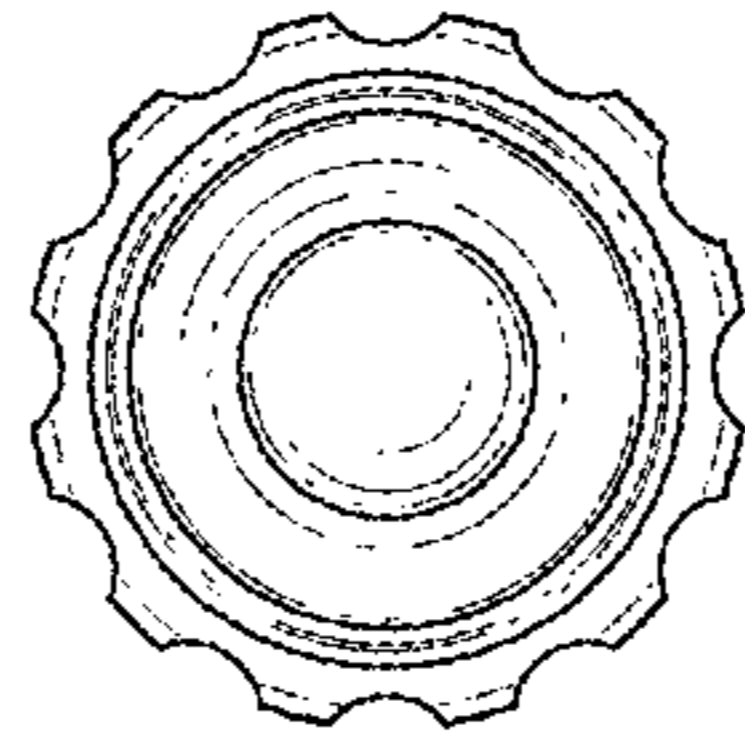


FIG. 30

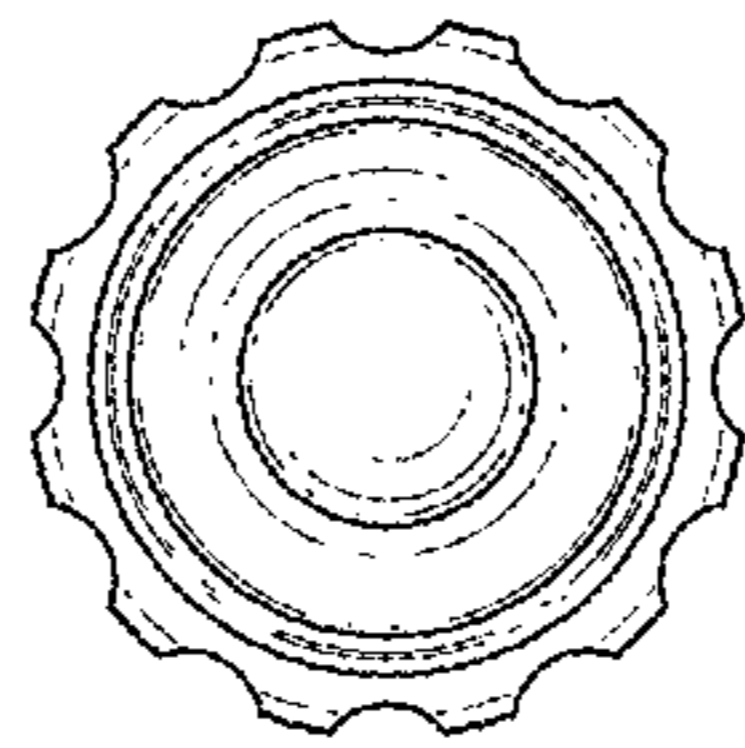


FIG. 31

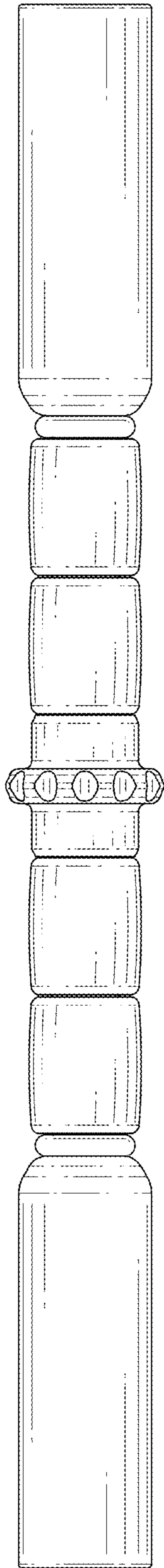


FIG. 32

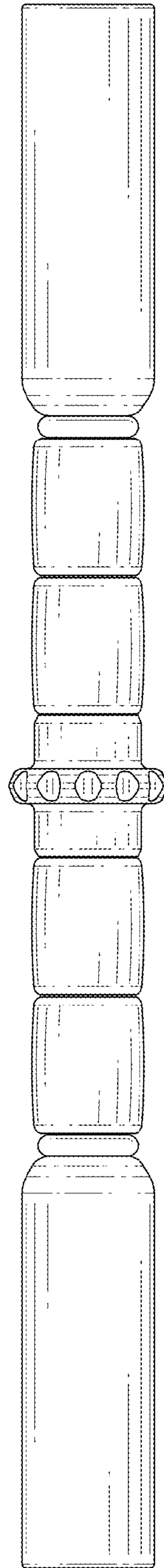


FIG. 33

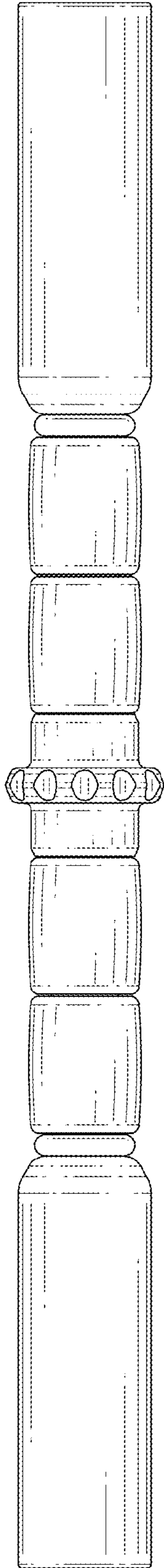


FIG. 34

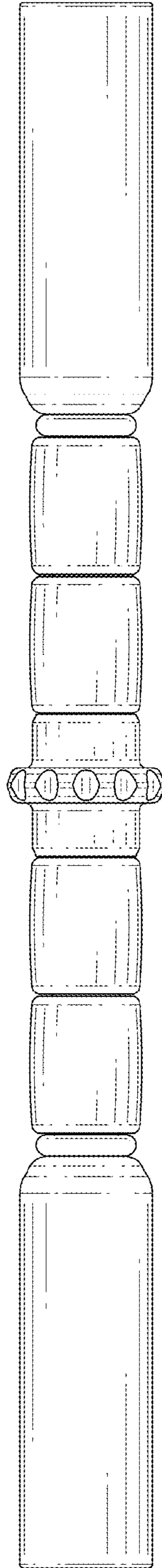


FIG. 35

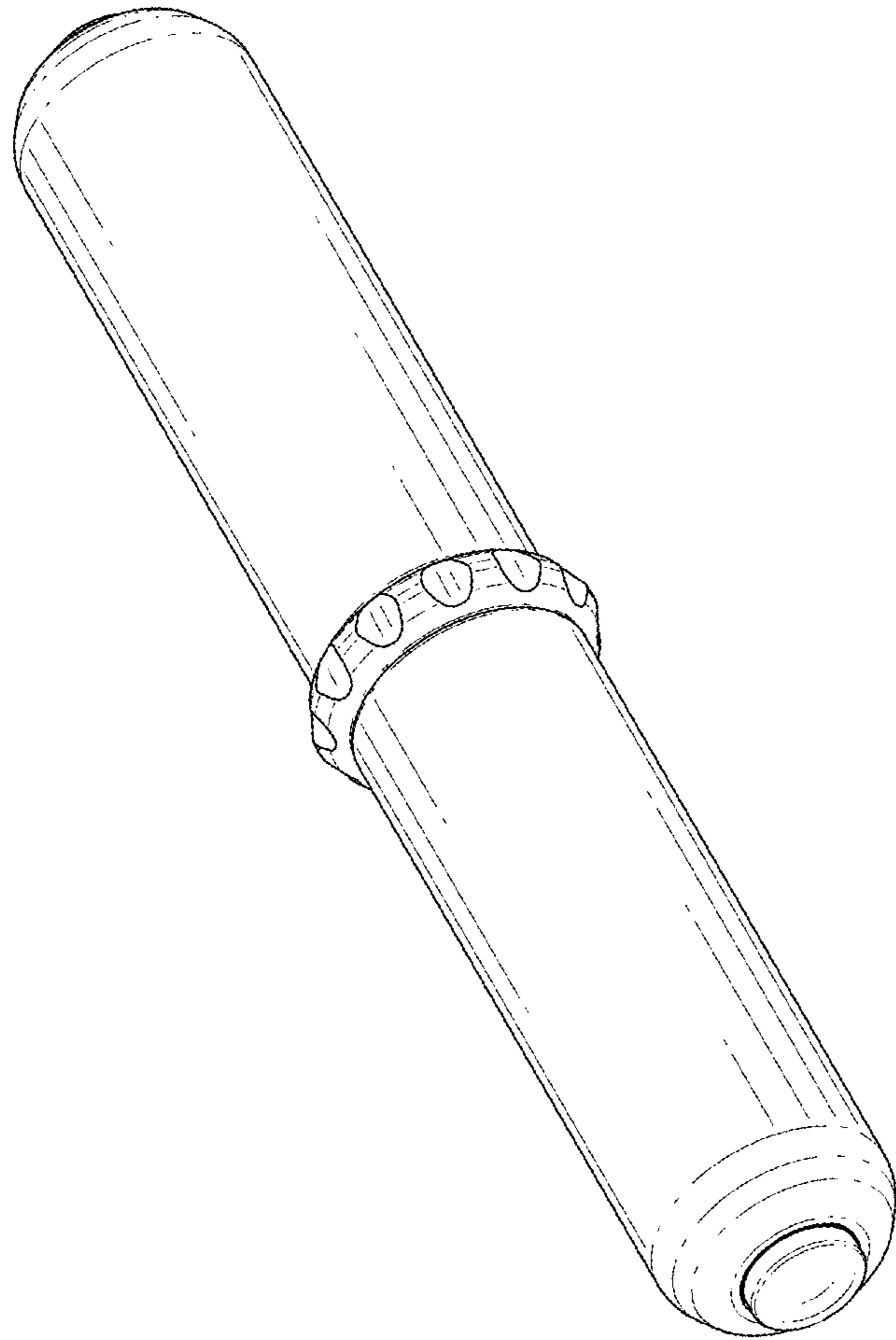


FIG. 36

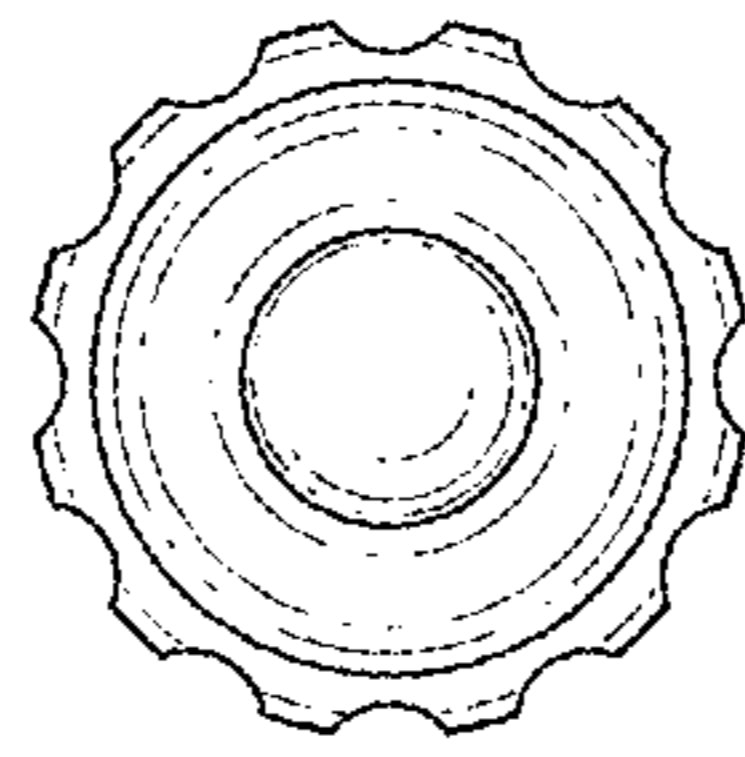


FIG. 37

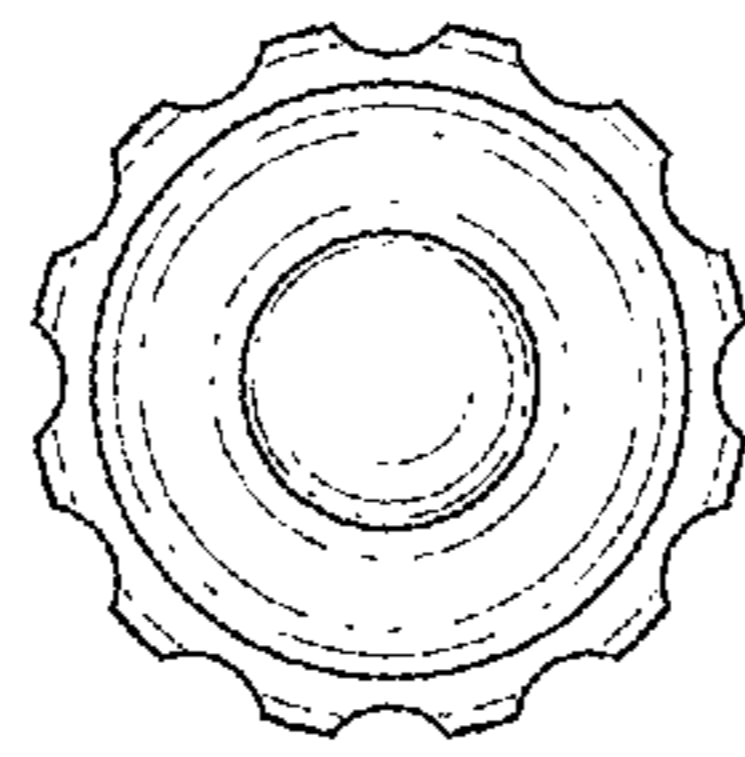


FIG. 38

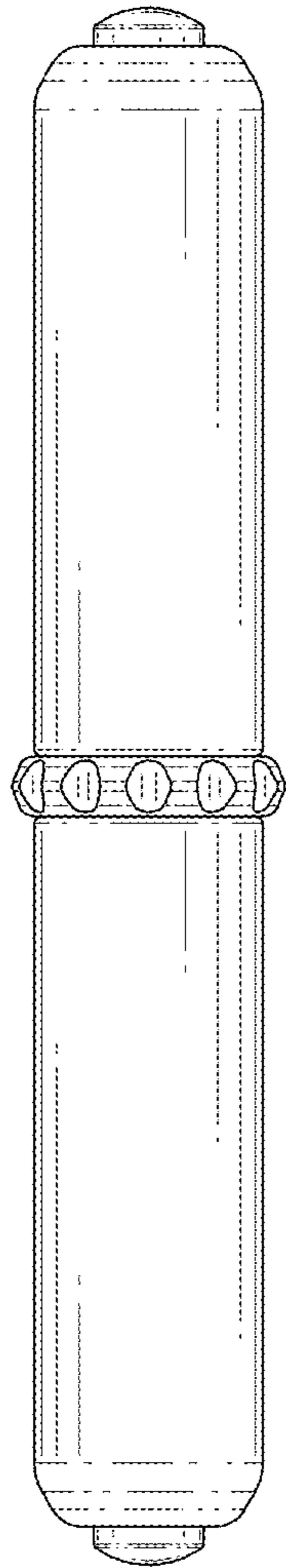


FIG. 39

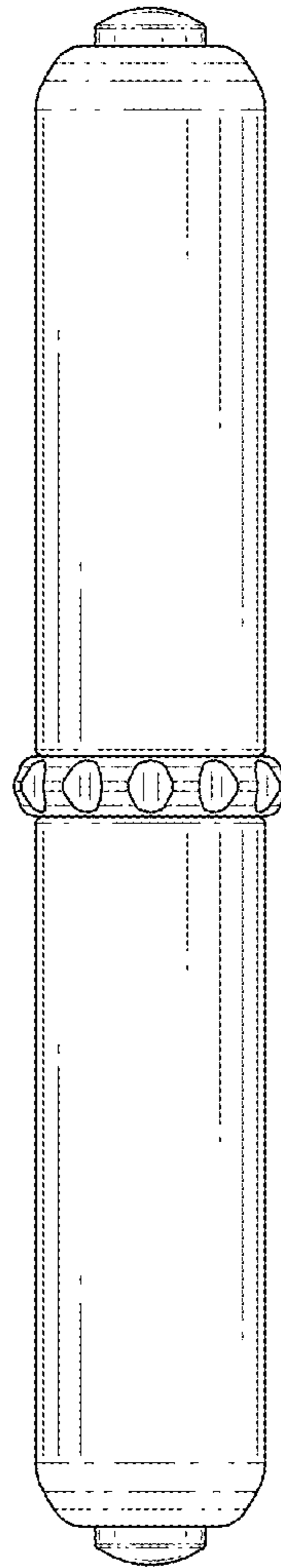


FIG. 40

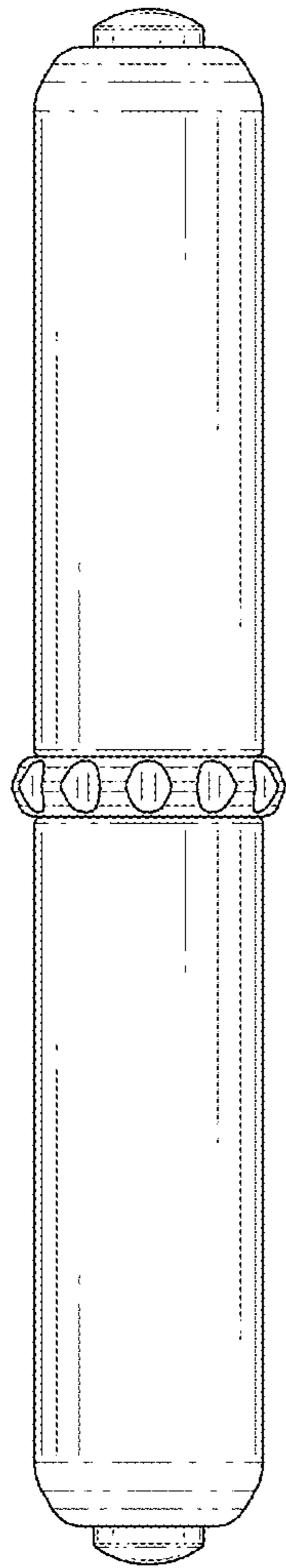


FIG. 41

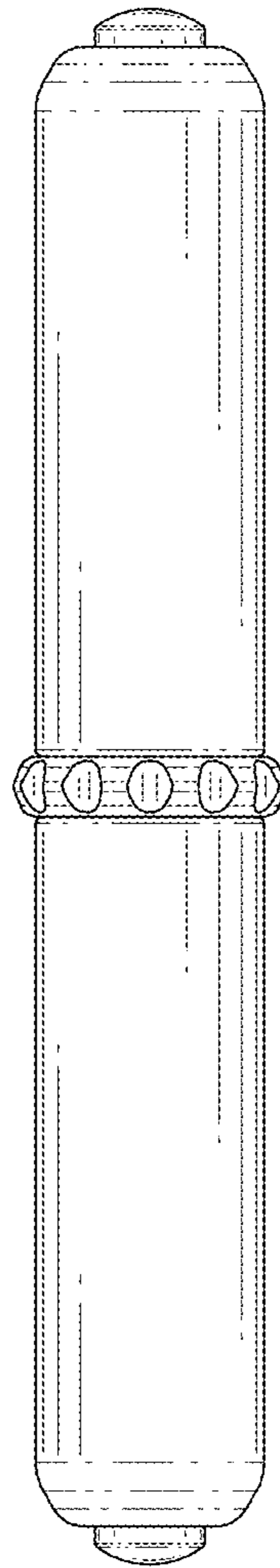


FIG. 42

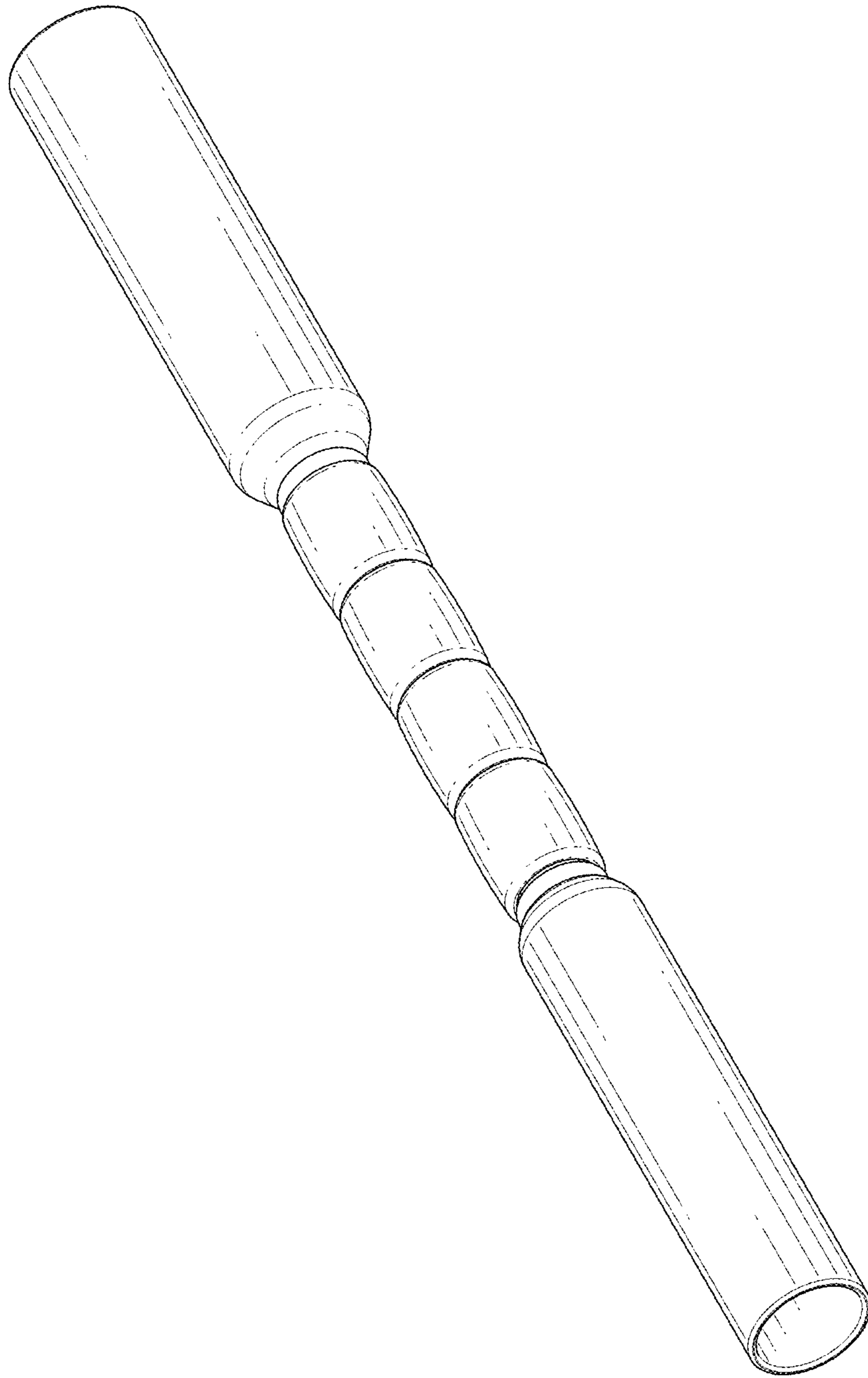


FIG. 43

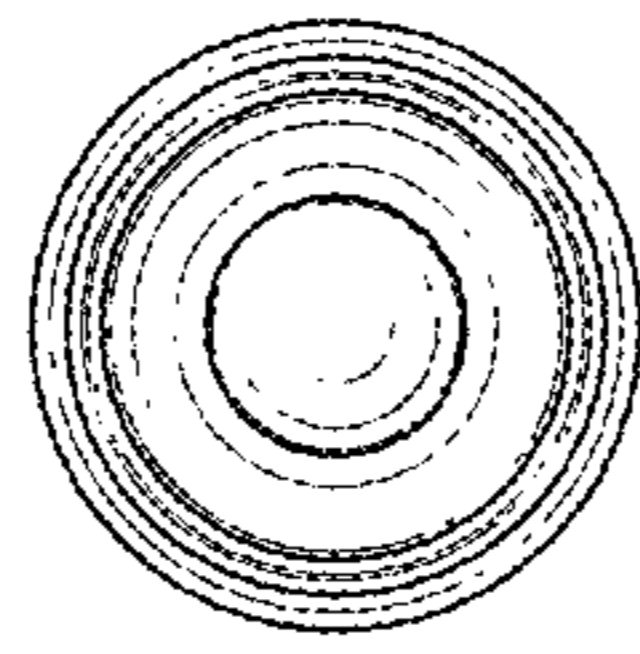


FIG. 44

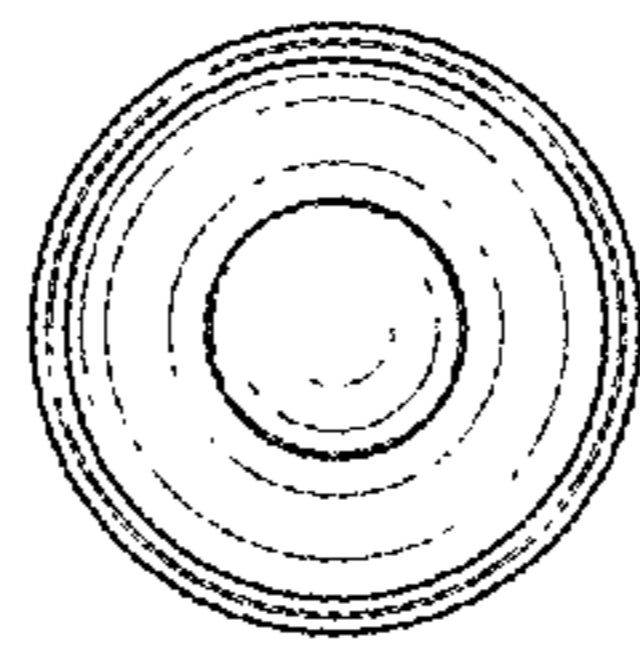


FIG. 45

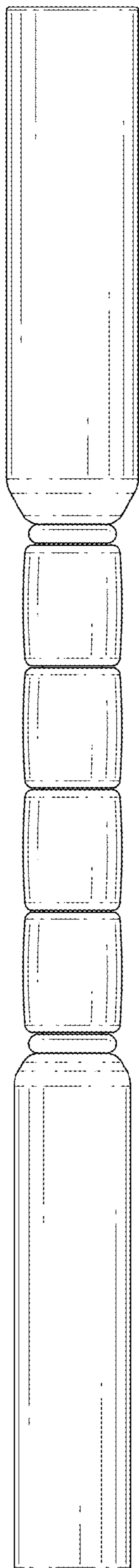


FIG. 46

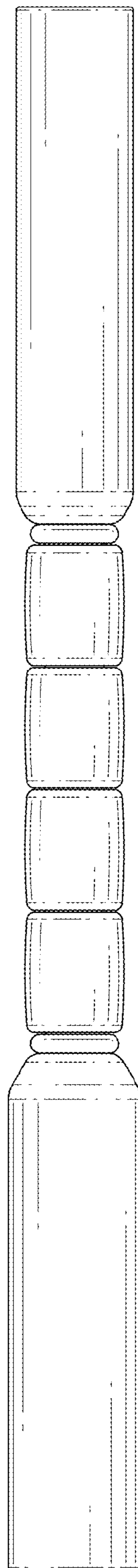


FIG. 47

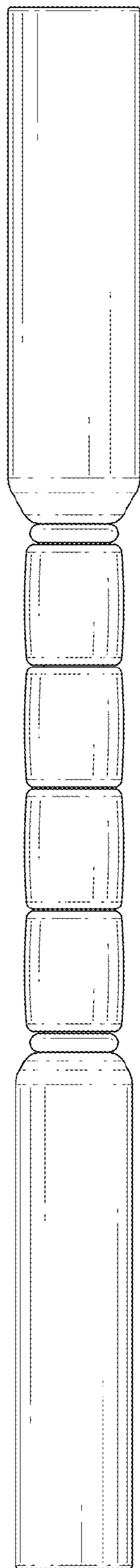


FIG. 48

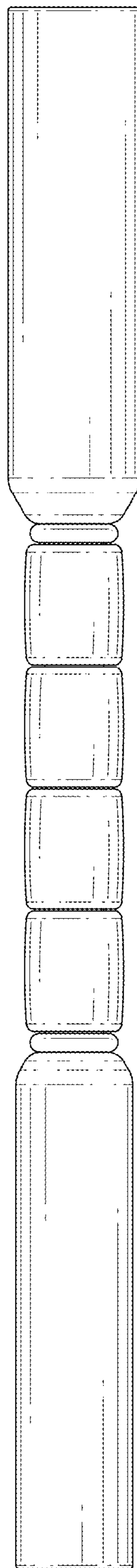


FIG. 49

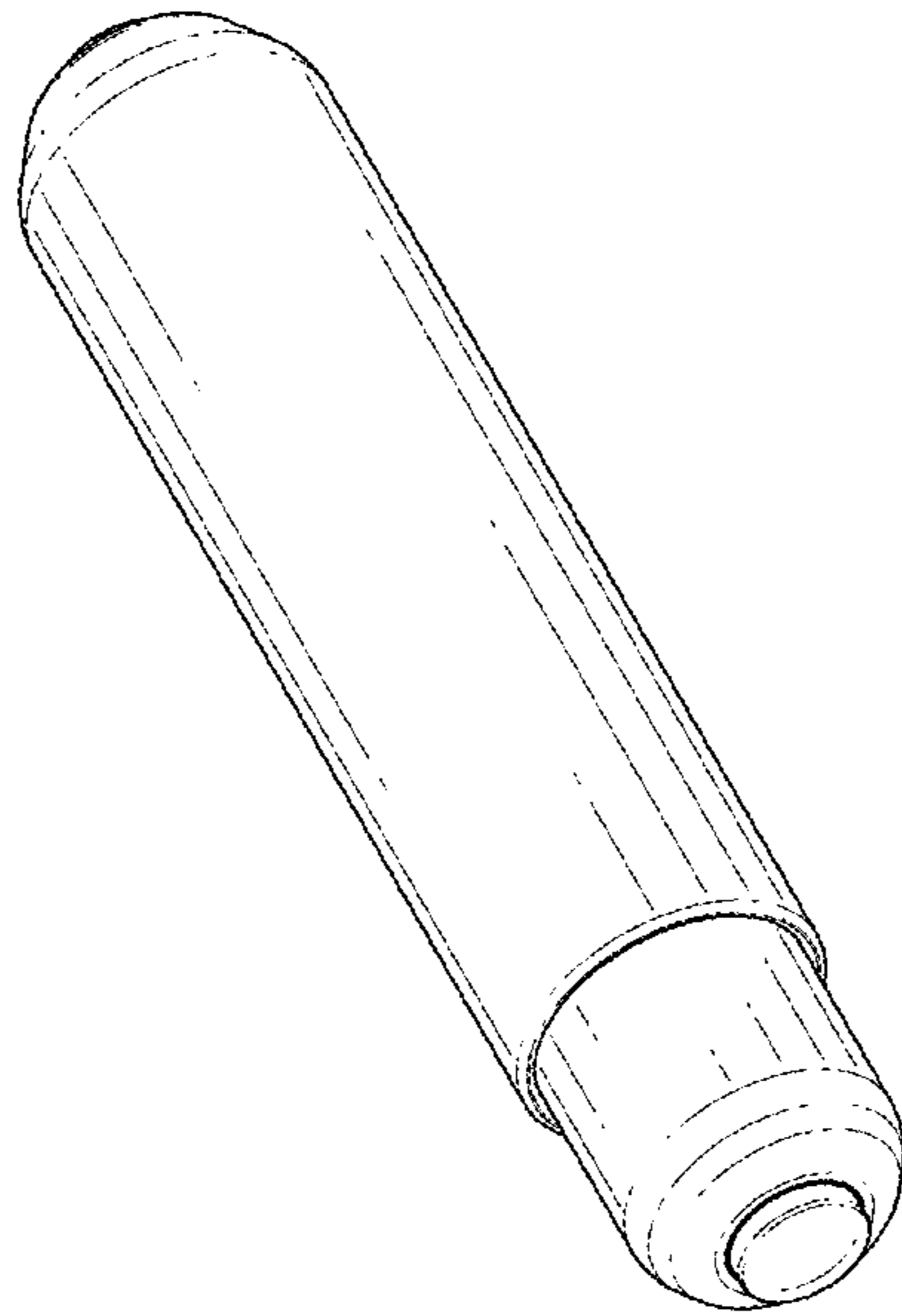


FIG. 50

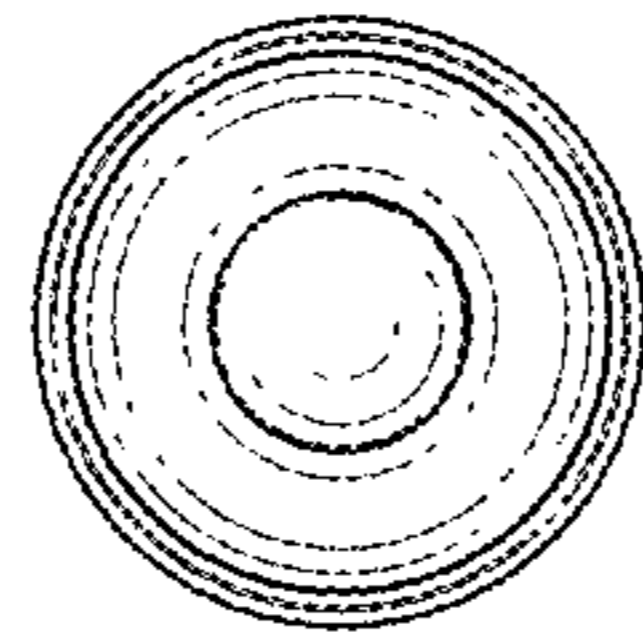


FIG. 51

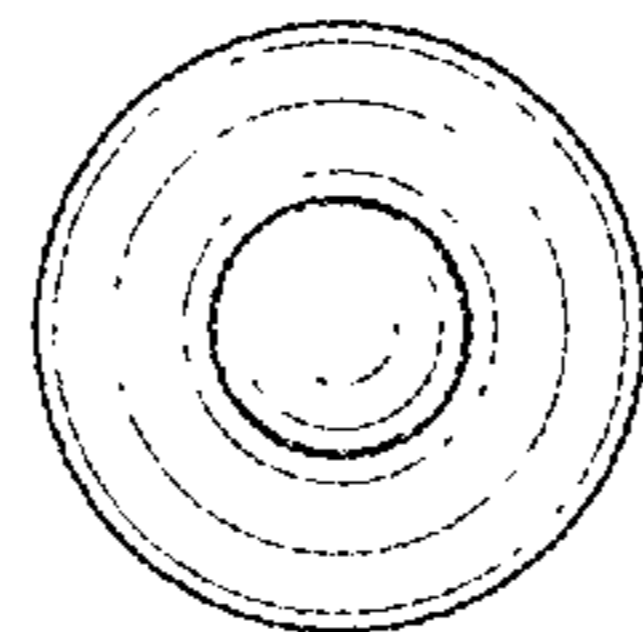


FIG. 52

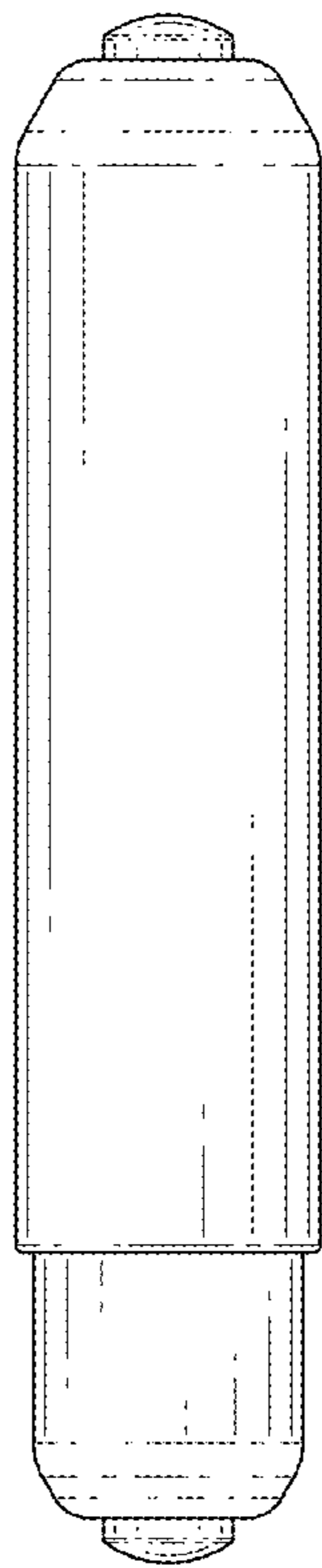


FIG. 53

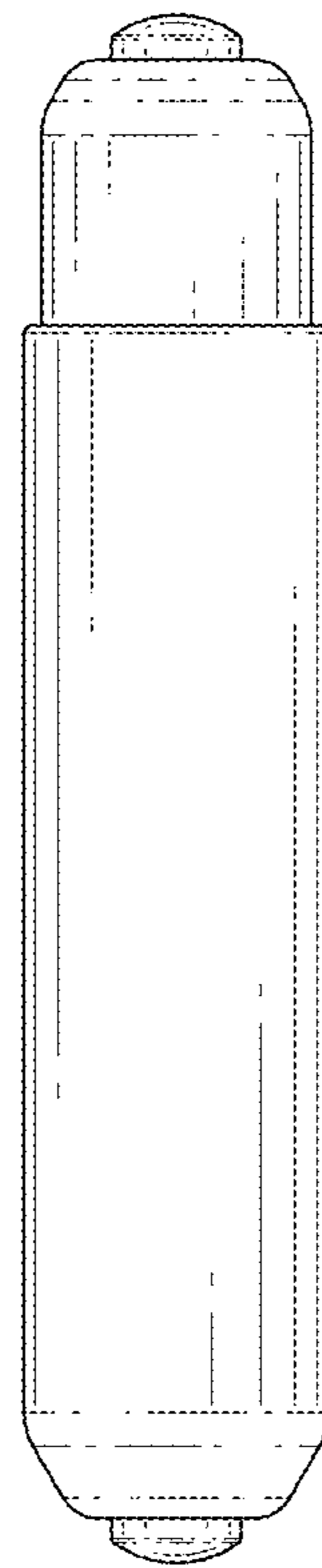


FIG. 54

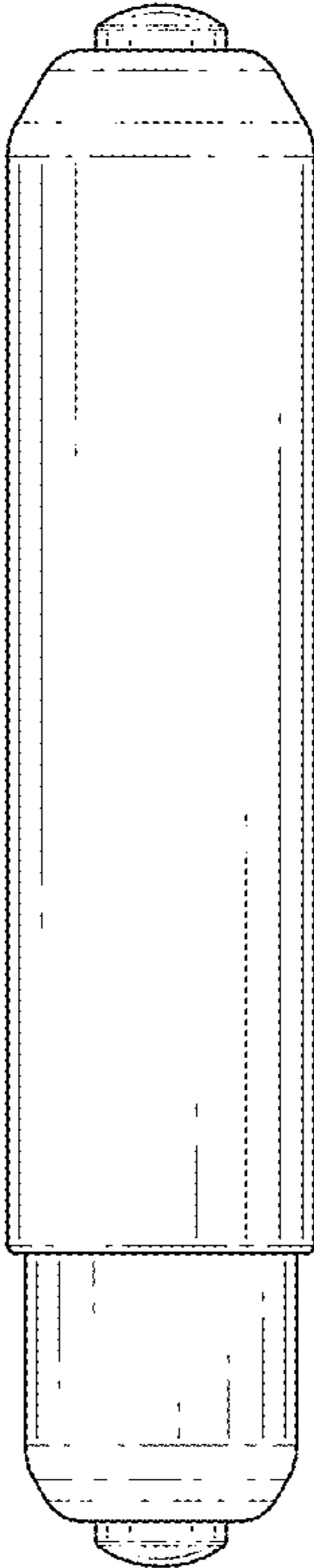


FIG. 55

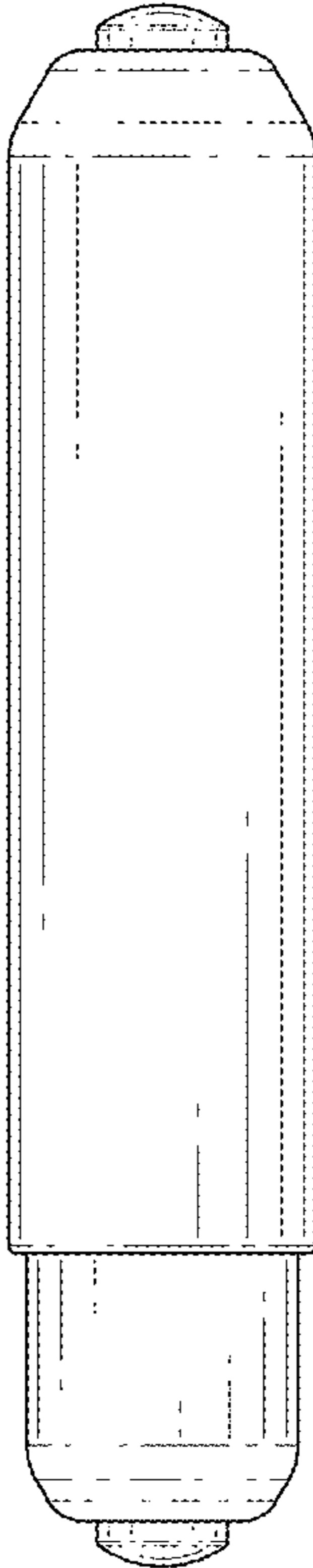


FIG. 56