



US00D723705S

(12) **United States Design Patent**
Mininger et al.

(10) **Patent No.:** **US D723,705 S**
(45) **Date of Patent:** **** Mar. 3, 2015**

(54) **CONTROLLER FOR ELECTRODE PATCH**

(71) Applicant: **Chattem, Inc.**, Chattanooga, TN (US)

(72) Inventors: **Lucas Mininger**, Chattanooga, TN (US);
Jason Sondgeroth, Chattanooga, TN
(US); **Sergio Gedanke**, New York, NY
(US)

(73) Assignee: **Chattem, Inc.**, Chattanooga, TN (US)

(**) Term: **14 Years**

(21) Appl. No.: **29/457,543**

(22) Filed: **Jun. 11, 2013**

(51) **LOC (10) Cl.** **14-03**

(52) **U.S. Cl.**
USPC **D24/200**

(58) **Field of Classification Search**
CPC A61H 33/12; A61H 33/06; A61H 33/063;
A61H 2201/10; A61H 2201/00; A61H
2201/005; A61H 2205/12; A61M 11/041;
A61M 2011/065; A61M 2209/084; A61N
5/0616; A61N 5/062; A61N 5/0613
USPC D24/133, 188, 200, 206–215; D10/57;
606/9, 33; 607/88–94; D13/108;
D14/341, 346, 400–401
See application file for complete search history.

(56) **References Cited**

U.S. PATENT DOCUMENTS

D370,501 S *	6/1996	Raviv et al.	D14/401
D428,938 S *	8/2000	Tomizawa	D21/329
D499,389 S *	12/2004	Leith et al.	D14/138 G
D541,225 S *	4/2007	Katsuyama et al.	D13/168
D558,755 S *	1/2008	Tanaka	D14/341
D561,758 S *	2/2008	Ball	D14/346
D570,924 S *	6/2008	Wai	D21/566
7,529,519 B2 *	5/2009	Wood et al.	434/317
D603,971 S *	11/2009	Gonzales et al.	D24/200
D614,705 S *	4/2010	Biheller	D21/328
D622,245 S *	8/2010	Okada et al.	D14/138 G
D646,726 S *	10/2011	Avery	D21/329

D648,721 S *	11/2011	Wong et al.	D14/345
D664,601 S *	7/2012	Sogabe	D21/329
D698,355 S *	1/2014	Cheung	D14/341
8,628,085 B2 *	1/2014	Sternberg	273/148 B
D700,000 S *	2/2014	Avery	D14/341
D702,684 S *	4/2014	Huang et al.	D14/401
D707,758 S *	6/2014	Norman et al.	D21/566
D710,945 S *	8/2014	Biheller et al.	D21/333
D711,474 S *	8/2014	Wikel	D21/333
D711,877 S *	8/2014	Bellinghausen et al.	D14/401
D711,878 S *	8/2014	Bellinghausen et al.	D14/401
D712,409 S *	9/2014	Bellinghausen et al.	D14/401
2007/0184786 A1 *	8/2007	Kim	455/90.3

* cited by examiner

Primary Examiner — Celia Murphy

Assistant Examiner — John Reickel

(74) *Attorney, Agent, or Firm* — Miller & Martin PLLC

(57) **CLAIM**

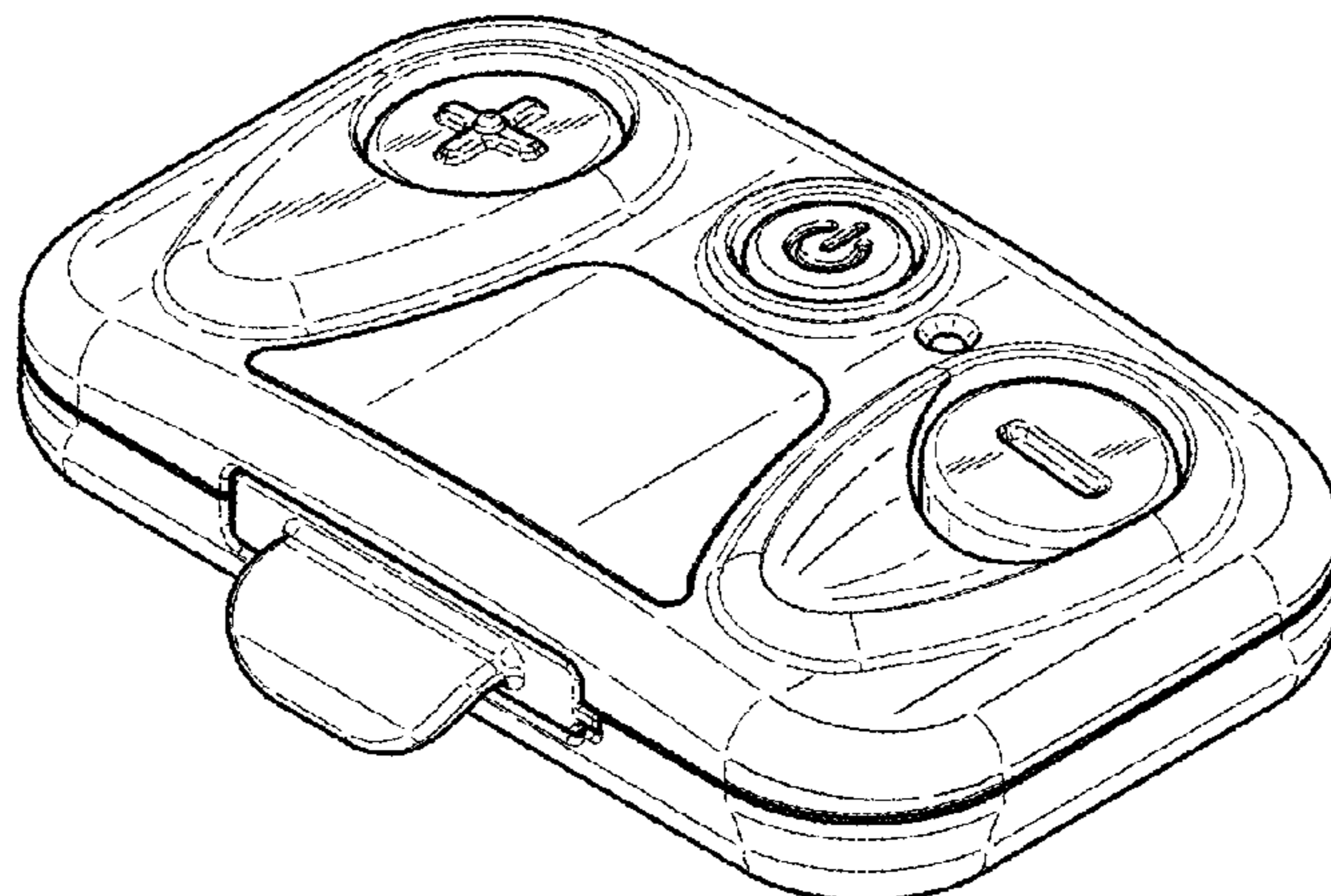
The ornamental design for a controller for electrode patch, as shown and described.

DESCRIPTION

FIG. 1 is a perspective view of a controller for electrode patch; FIG. 2 is a front view of the controller for electrode patch shown in FIG. 1; FIG. 3 is a left side view of the controller for electrode patch shown in FIG. 1; FIG. 4 is a right side view of the controller for electrode patch shown in FIG. 1; FIG. 5 is a top plan view of the controller for electrode patch shown in FIG. 1; FIG. 6 is a bottom plan view of the controller for electrode patch shown in FIG. 1; and, FIG. 7 is a rear view of the controller for electrode patch shown in FIG. 1.

The outermost broken lines showing rectangular shapes in FIGS. 3 and 4; and rectangular and circular shapes in FIG. 7 represent internal boundaries of the design. All broken lines themselves and the areas within them form no part of the claimed design.

1 Claim, 2 Drawing Sheets



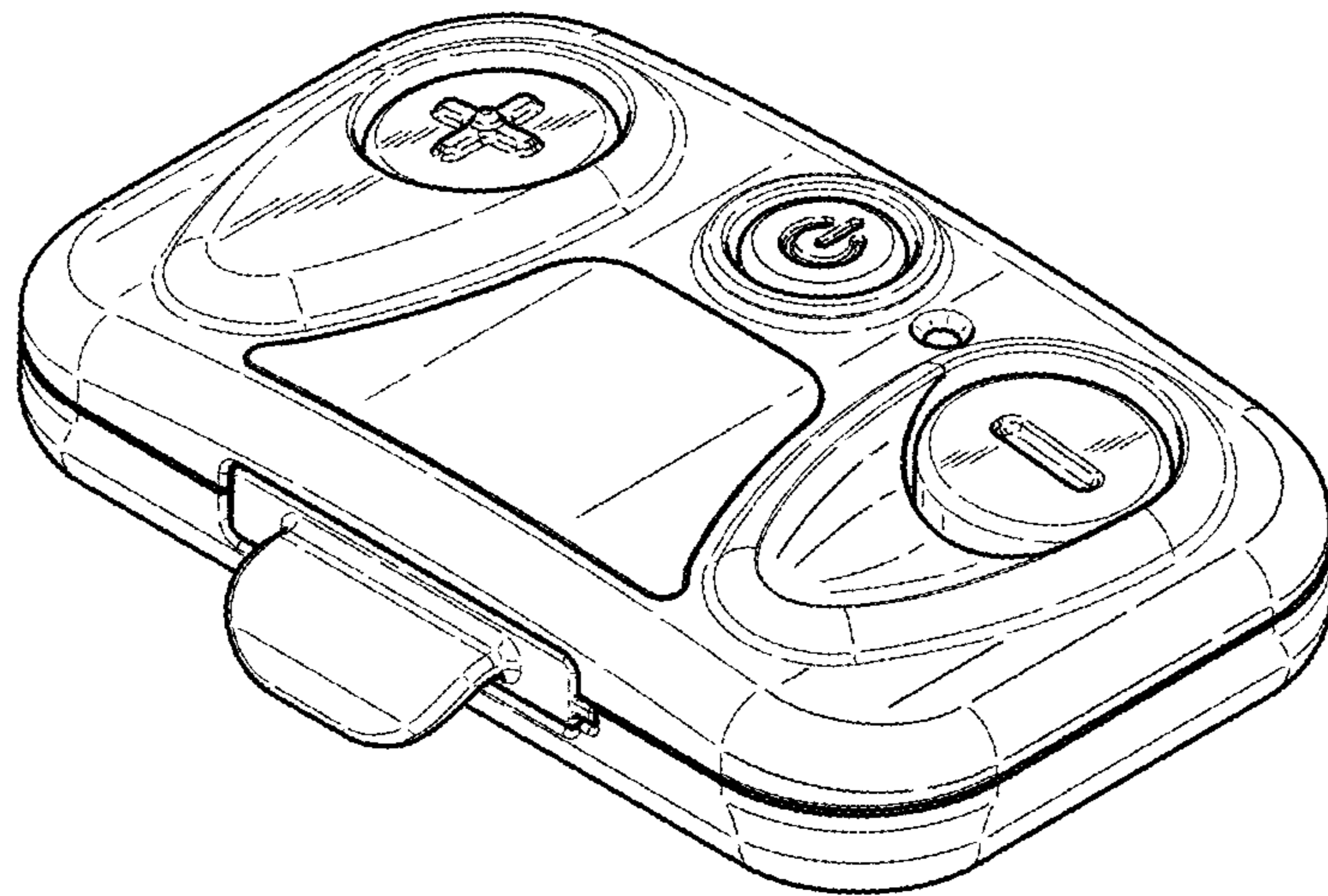


FIG. 1

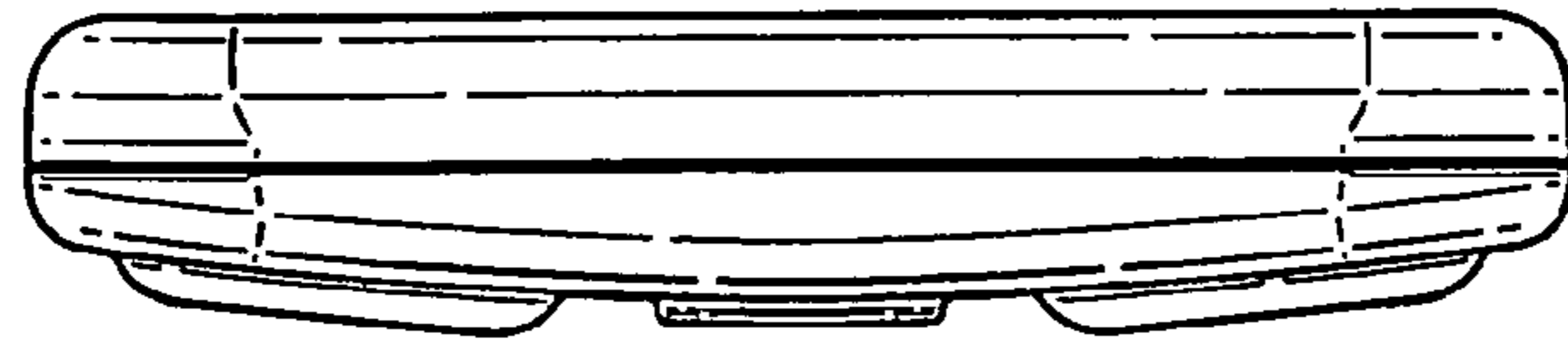


FIG. 5



FIG. 3

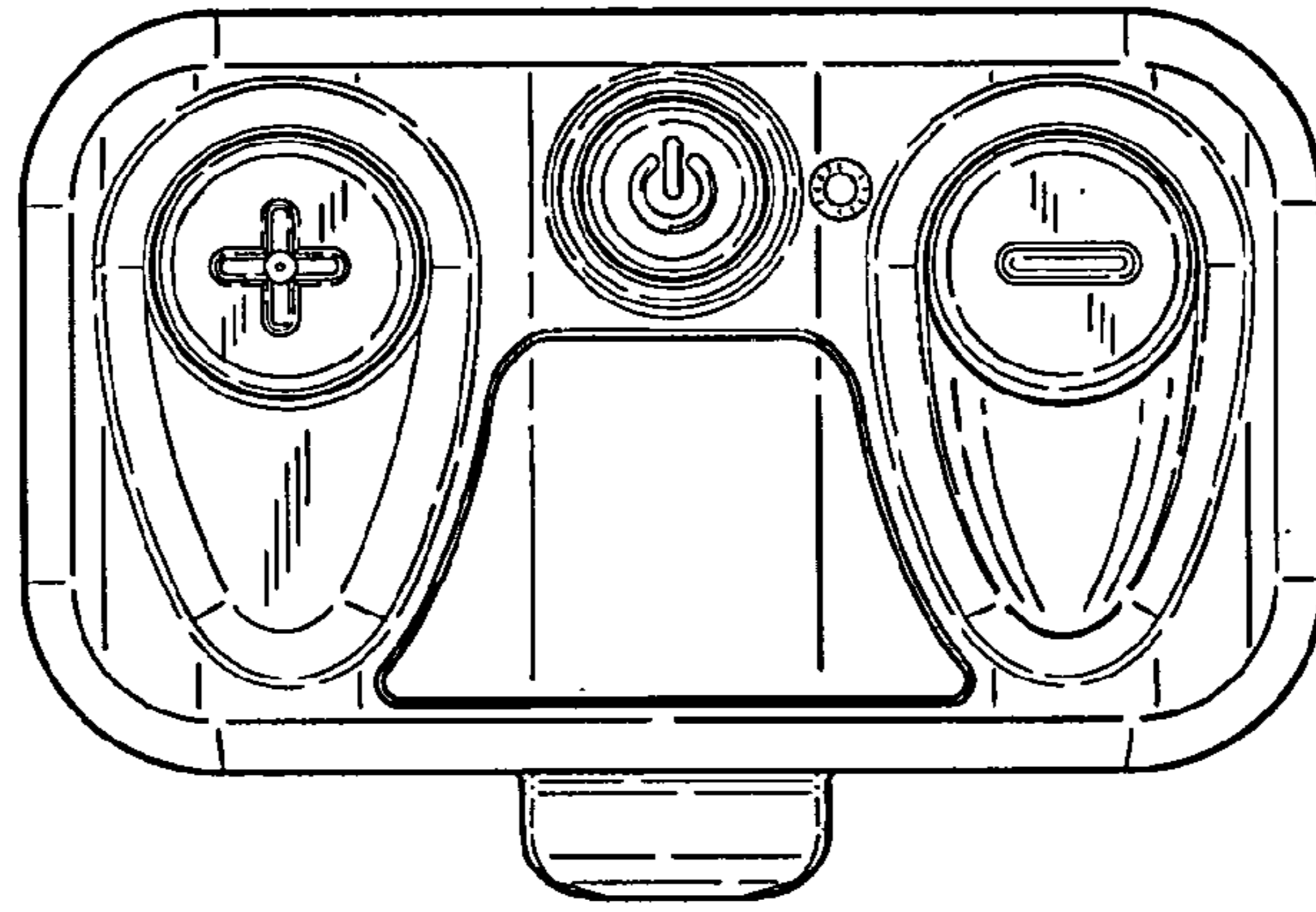


FIG. 2

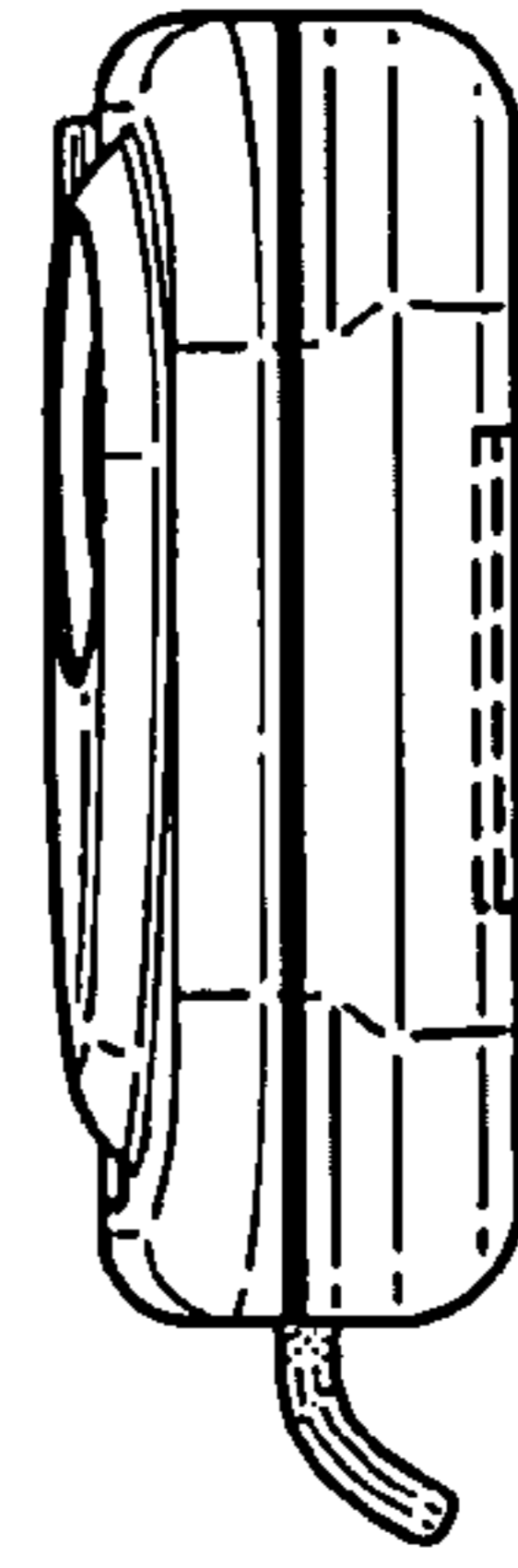


FIG. 4

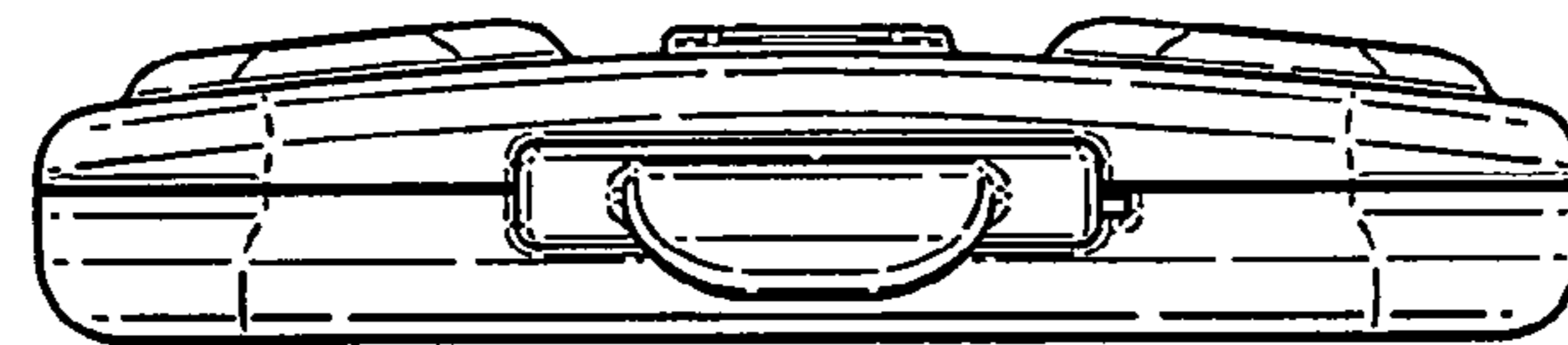


FIG. 6

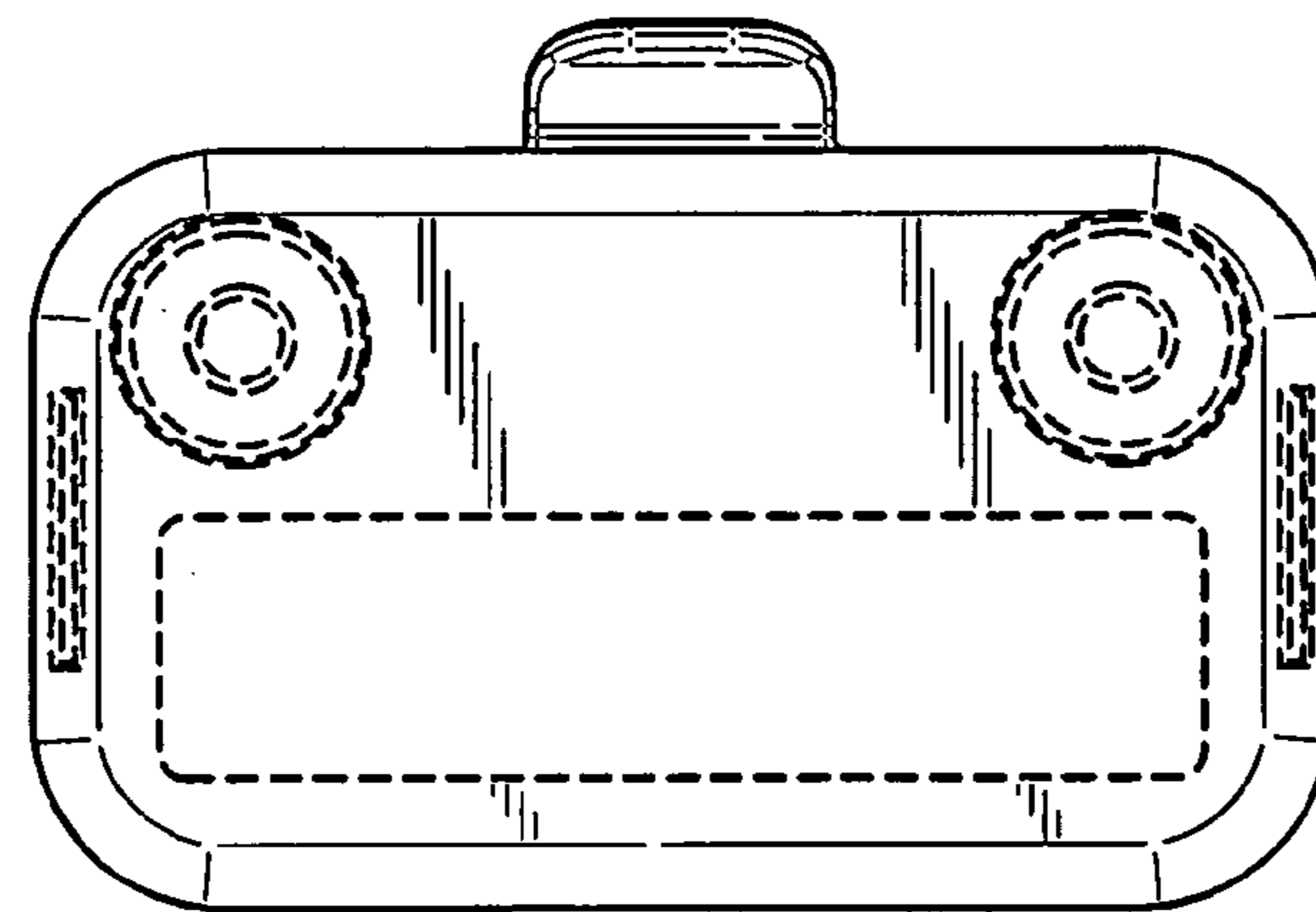


FIG. 7