



US00D723701S

(12) **United States Design Patent**
Maki et al.

(10) **Patent No.:** **US D723,701 S**
(45) **Date of Patent:** **** Mar. 3, 2015**

(54) **LIGHT SHIELDING SHEET OF A
BIOLOGICAL OPTICAL MEASURING
INSTRUMENT**

(71) Applicants: **Hitachi, Ltd.**, Tokyo (JP); **Hitachi
Kokusai Yagi Solutions Inc.**, Tokyo (JP)

(72) Inventors: **Atsushi Maki**, Tokyo (JP); **Kiyoshi
Hasegawa**, Tokyo (JP); **Hideo
Sugimoto**, Tokyo (JP); **Osamu Kimura**,
Tokyo (JP)

(73) Assignees: **Hitachi, Ltd.**, Tokyo (JP); **Hitachi
Kokusai Yagi Solutions Inc.**, Tokyo (JP)

(**) Term: **14 Years**

(21) Appl. No.: **29/466,319**

(22) Filed: **Sep. 6, 2013**

(30) **Foreign Application Priority Data**

Mar. 12, 2013 (JP) 2013-005414

(51) **LOC (10) Cl.** **24-01**

(52) **U.S. Cl.**
USPC **D24/187**

(58) **Field of Classification Search**
CPC A61B 5/00; A61B 5/05; A61B 6/00;
A61N 1/36053; A61N 1/0456; A61N 1/36021;
A61N 1/0551; A61N 1/0408; A61N 1/36;
A61N 1/40; A61N 1/36003; A01G 9/22;
B32B 5/18; B32B 27/12
USPC D10/46, 64; D24/107, 186, 187, 232,
D24/233

See application file for complete search history.

(56) **References Cited**

U.S. PATENT DOCUMENTS

D265,177	S	*	6/1982	Skinner	D10/64
D269,330	S	*	6/1983	Blair	D10/64
D291,287	S	*	8/1987	Eisenhauer	D10/64
D560,809	S	*	1/2008	Causevic et al.	D24/187
D594,127	S	*	6/2009	Causevic et al.	D24/187
D637,501	S	*	5/2011	Begin et al.	D10/64
2008/0101083	A1	*	5/2008	Lee et al.	362/610

* cited by examiner

Primary Examiner — Antoine D Davis

(74) *Attorney, Agent, or Firm* — Antonelli, Terry, Stout & Kraus, LLP.

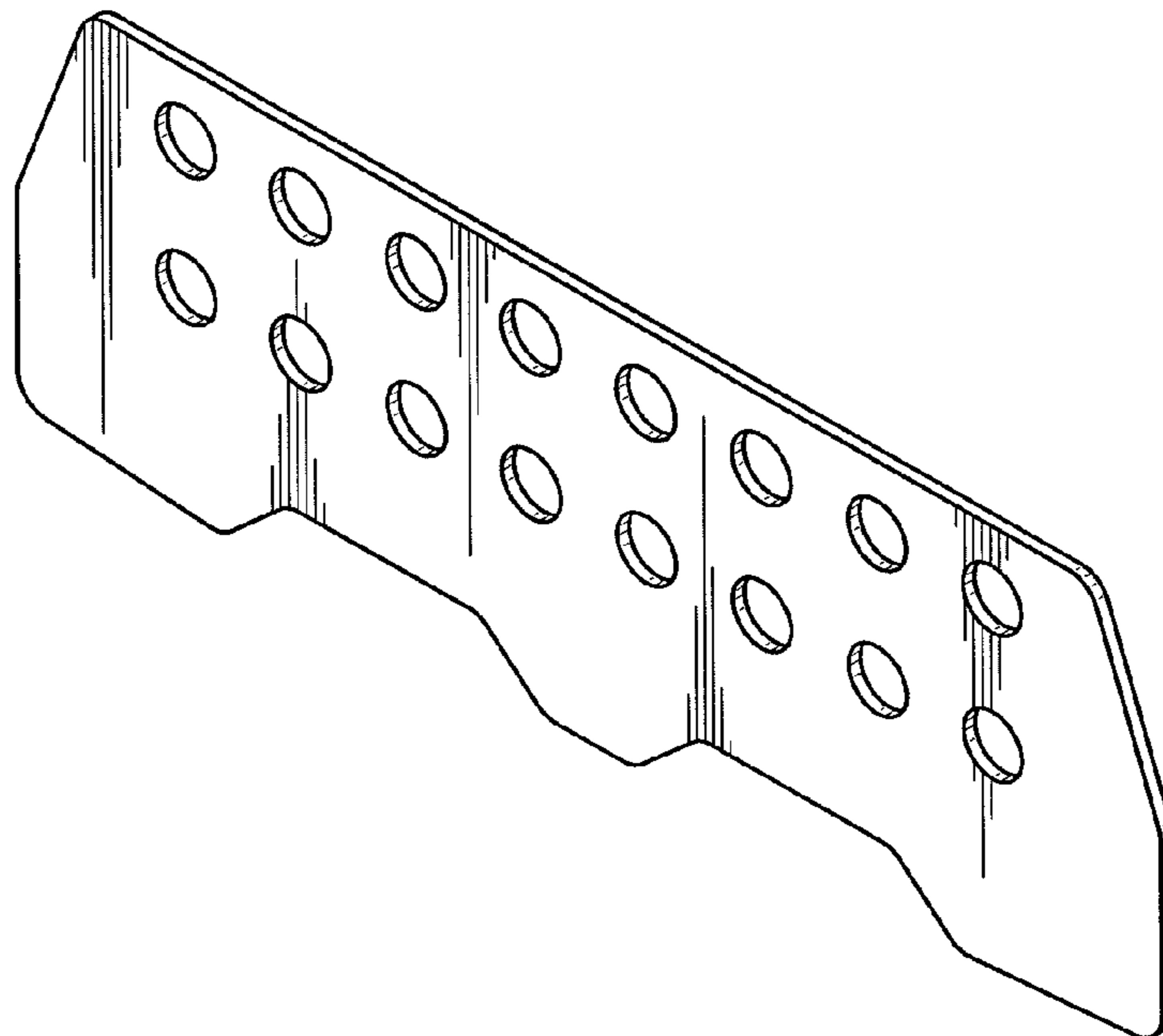
(57) **CLAIM**

The ornamental design for a light shielding sheet of a biological optical measuring instrument, as shown.

DESCRIPTION

FIG. 1 is a perspective view of a light shielding sheet of a biological optical measuring instrument showing our new design;
FIG. 2 is a front view thereof;
FIG. 3 is a rear view thereof;
FIG. 4 is a left side view thereof;
FIG. 5 is a right side view thereof;
FIG. 6 is a top plan view thereof; and,
FIG. 7 is a bottom view thereof.

1 Claim, 2 Drawing Sheets



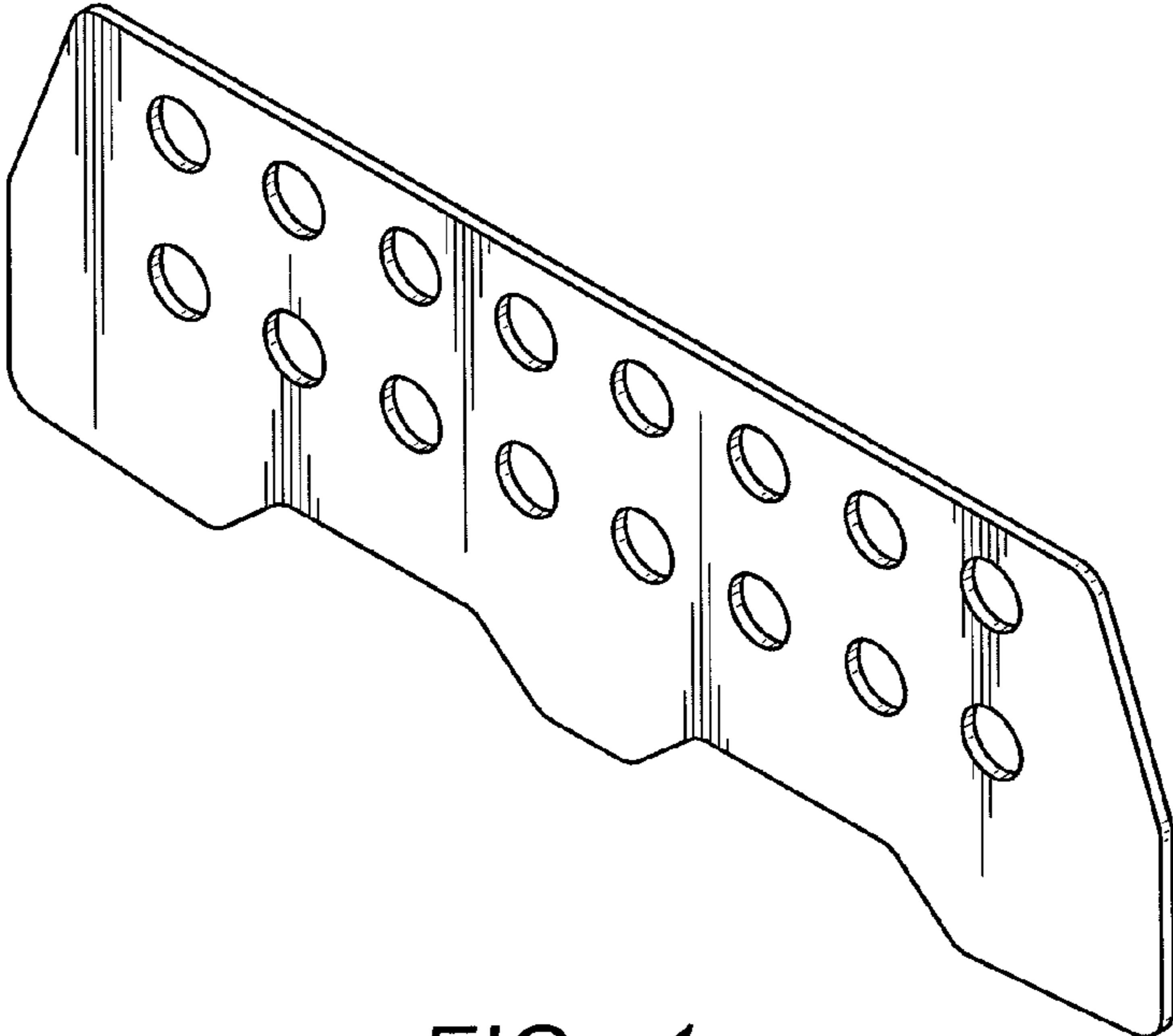


FIG. 1

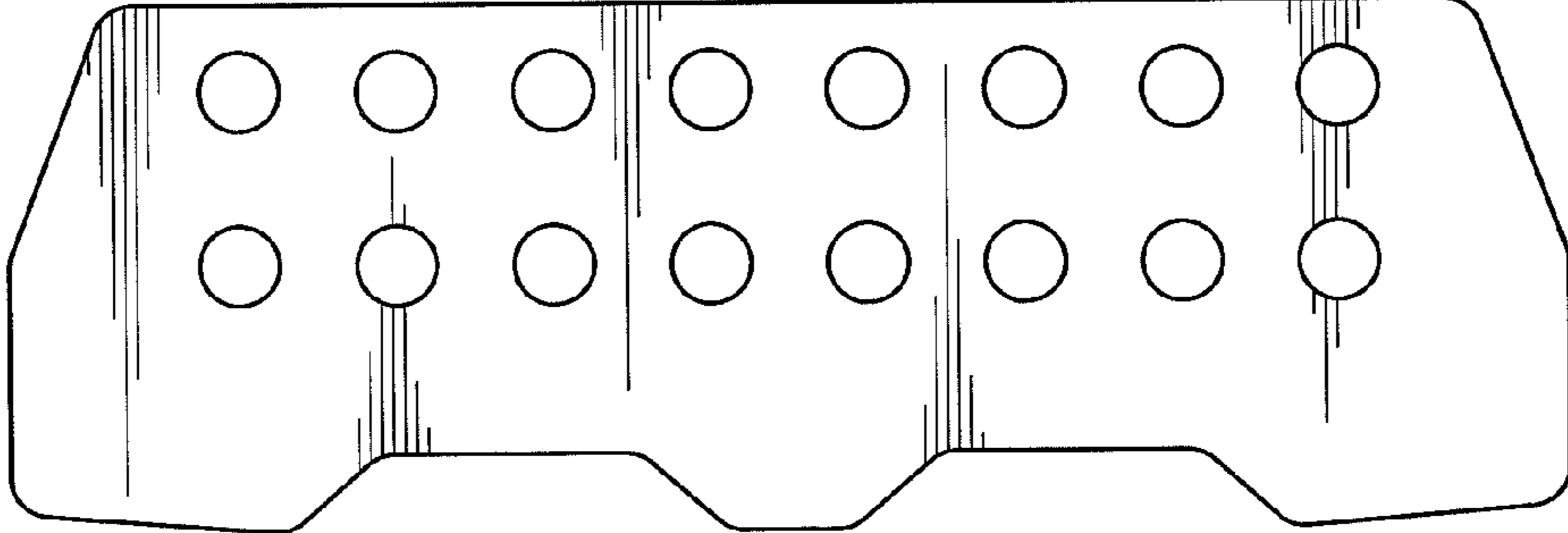


FIG. 2

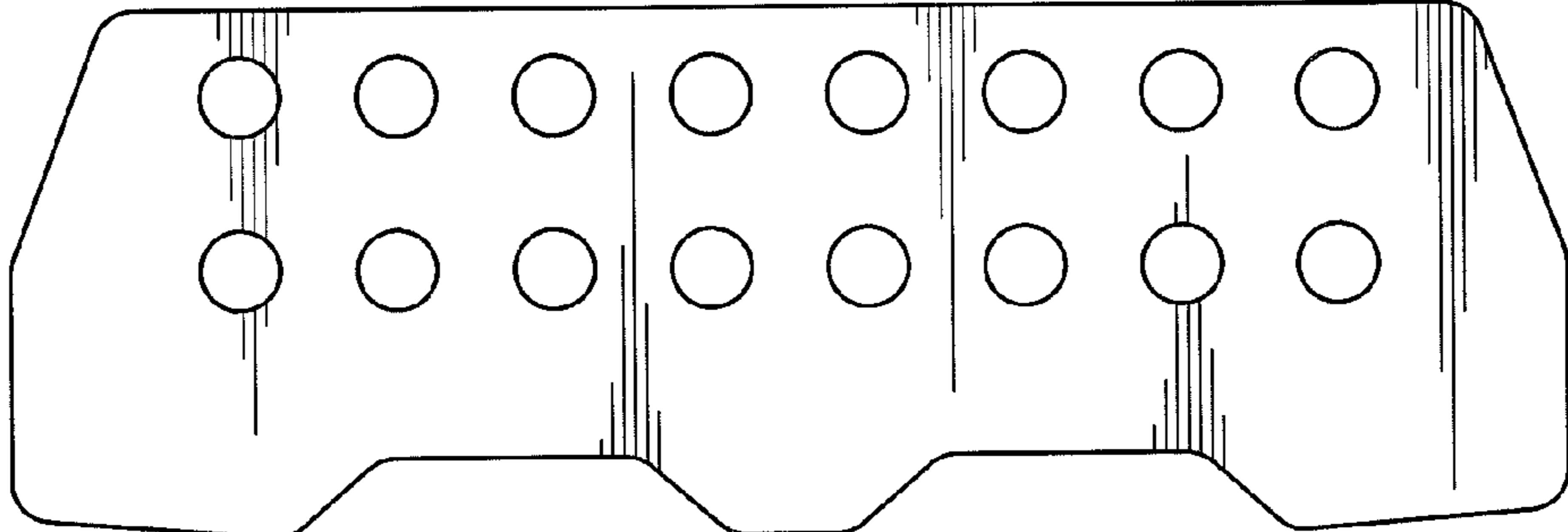


FIG. 3

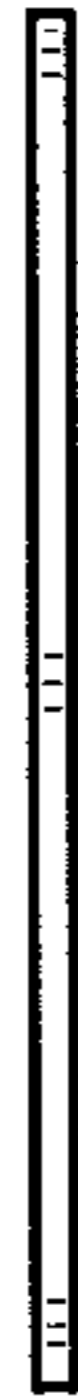


FIG. 4

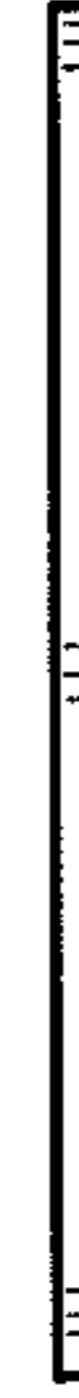


FIG. 5



FIG. 6



FIG. 7