



US00D723697S

(12) **United States Design Patent**  
**Chung et al.**

(10) **Patent No.:** **US D723,697 S**  
(45) **Date of Patent:** **\*\* Mar. 3, 2015**

(54) **BLOOD GLUCOSE METER**  
(71) Applicant: **Samsung Electronics Co., Ltd.**,  
Suwon-si (KR)  
(72) Inventors: **Yeon-Moo Chung**, Seoul (KR);  
**Sung-Won Lim**, Paju-si (KR);  
**Cheon-Seop Shin**, Seoul (KR)  
(73) Assignee: **Samsung Electronics Co., Ltd.** (KR)  
(\*\*) Term: **14 Years**  
(21) Appl. No.: **29/483,247**  
(22) Filed: **Feb. 26, 2014**

(30) **Foreign Application Priority Data**  
Sep. 11, 2013 (KR) ..... 30-2013-0046877  
(51) **LOC (10) Cl.** ..... **24-01**  
(52) **U.S. Cl.**  
USPC ..... **D24/169**  
(58) **Field of Classification Search**  
USPC ..... D24/216, 223, 231, 232, 107, 169, 186;  
D10/81; 422/68.1, 420, 500;  
435/287.1, 287.3; 436/43, 45, 47;  
600/309, 365, 368, 583, 584;  
D14/138 R, 138 AA, 138 AB, 138 G,  
D14/341; D3/201, 203.1, 273, 274, 294,  
D3/295

See application file for complete search history.

(56) **References Cited**  
U.S. PATENT DOCUMENTS  
D351,469 S \* 10/1994 Okamoto et al. .... D24/169  
D437,057 S \* 1/2001 Maus et al. .... D24/169  
D455,253 S \* 4/2002 Byrne et al. .... D3/203.1  
D502,868 S \* 3/2005 Cattaruzza ..... D3/294  
D547,544 S \* 7/2007 Hussaini et al. .... D3/201  
D558,973 S \* 1/2008 Hussaini et al. .... D3/201  
D561,472 S \* 2/2008 Nakamura ..... D3/294  
D663,421 S \* 7/2012 Steiner et al. .... D24/169

\* cited by examiner  
*Primary Examiner* — Anhdao Doan  
(74) *Attorney, Agent, or Firm* — Cantor Colburn LLP

(57) **CLAIM**  
The ornamental design for a blood glucose meter, as shown and described.

**DESCRIPTION**  
FIG. 1 is a front perspective view of a blood glucose meter showing our new design;  
FIG. 2 is a front view thereof;  
FIG. 3 is a rear view thereof;  
FIG. 4 is a side view thereof;  
FIG. 5 is another side view thereof;  
FIG. 6 is a top view thereof;  
FIG. 7 is a bottom view thereof; and,  
FIG. 8 is another front view thereof, in which the blood glucose meter is closed.  
The broken lines illustrating portions of the blood glucose meter are for environmental purposes only and form no part of the claimed design. The dot-dash broken lines represent unclaimed boundary lines and form no part of the claimed design.

**1 Claim, 6 Drawing Sheets**

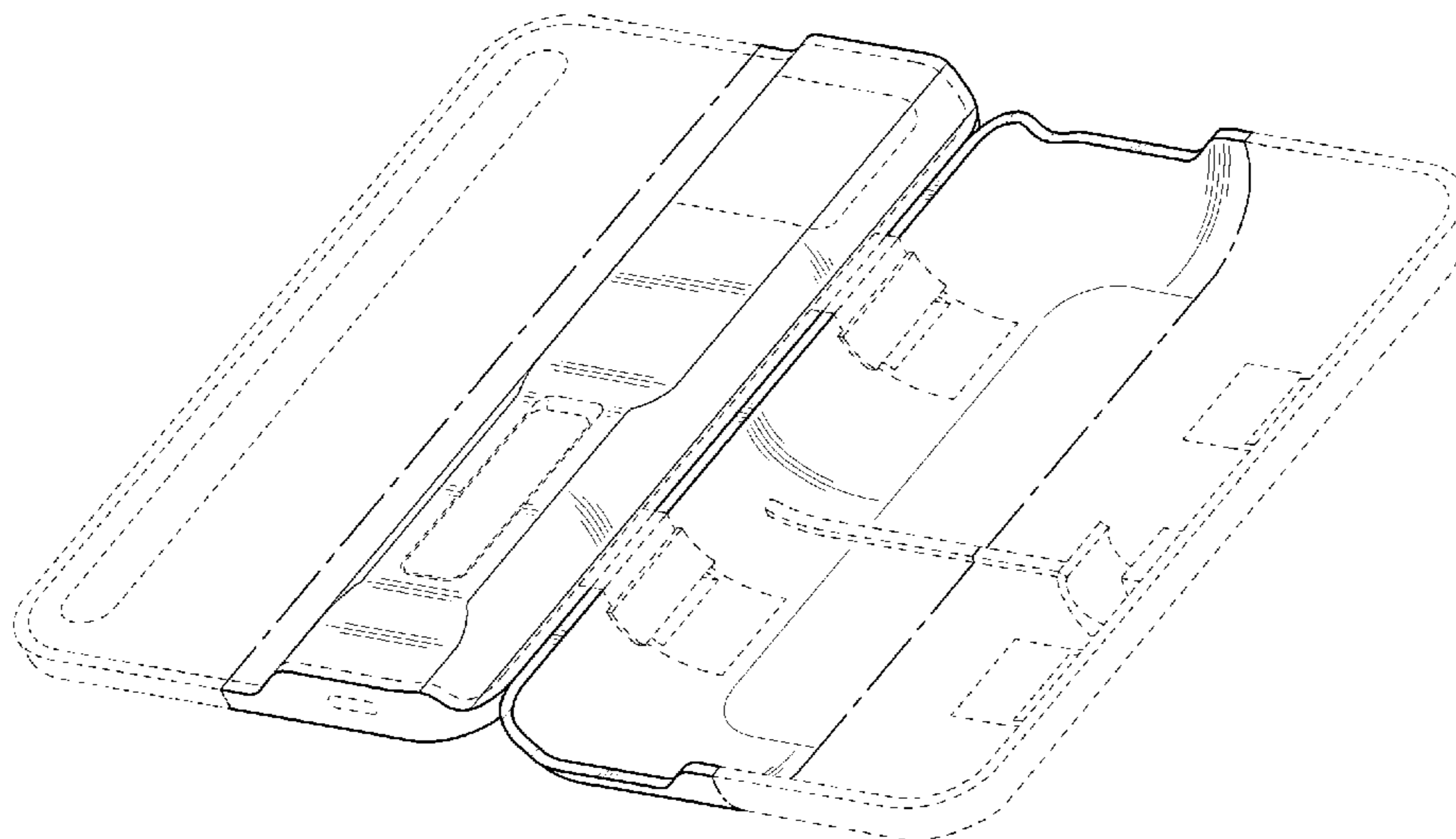


FIG.1

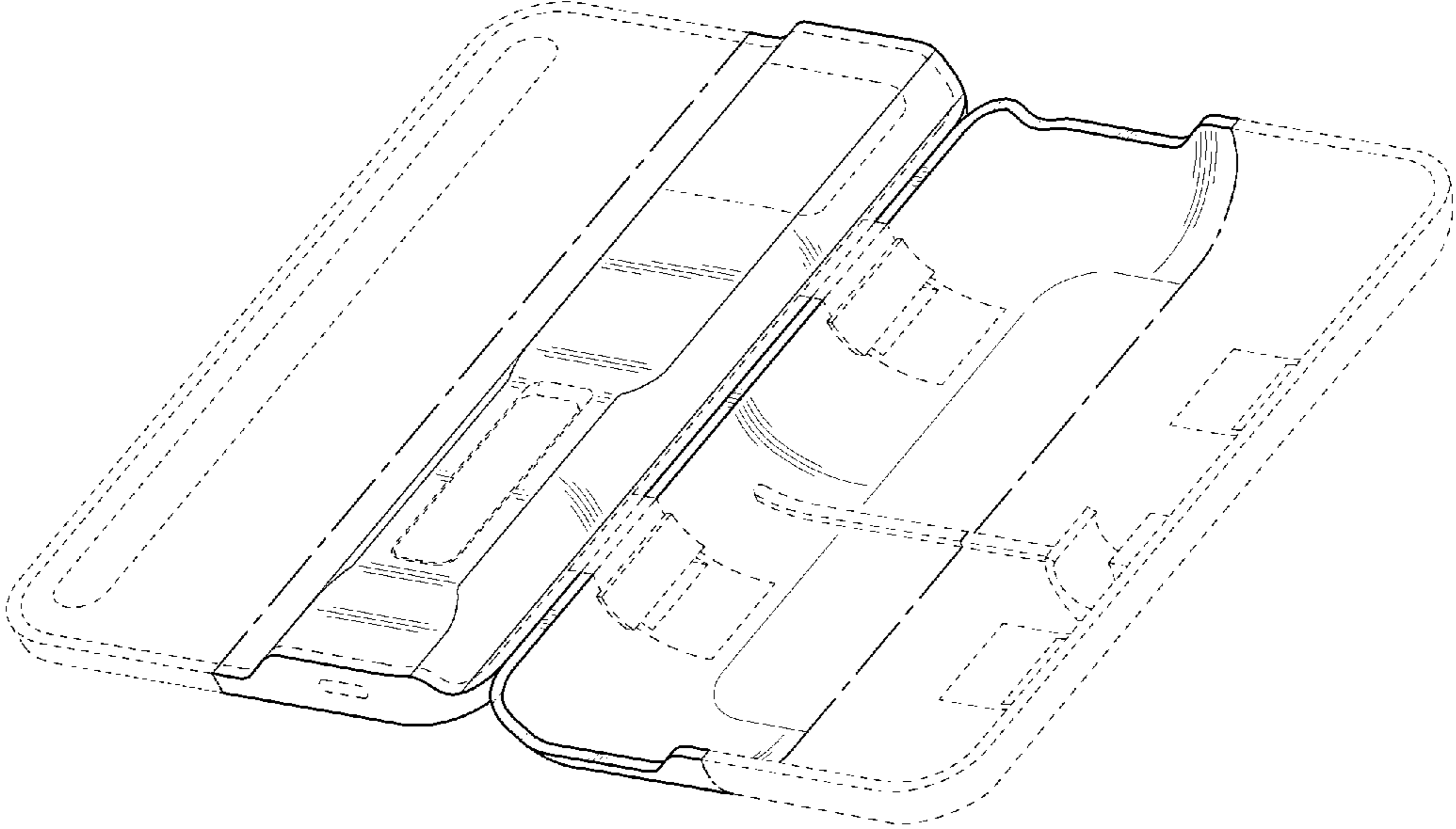


FIG.2

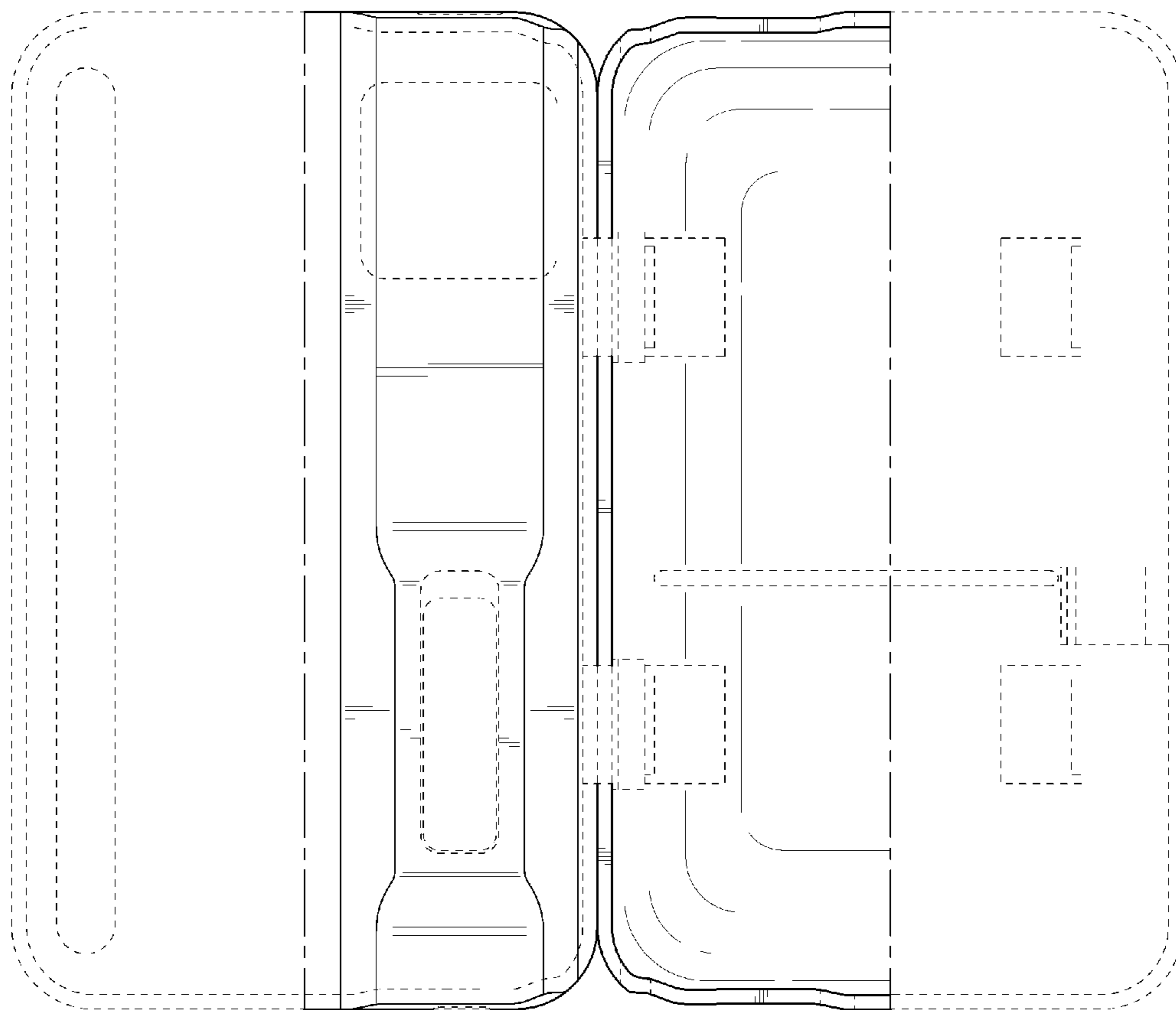


FIG.3

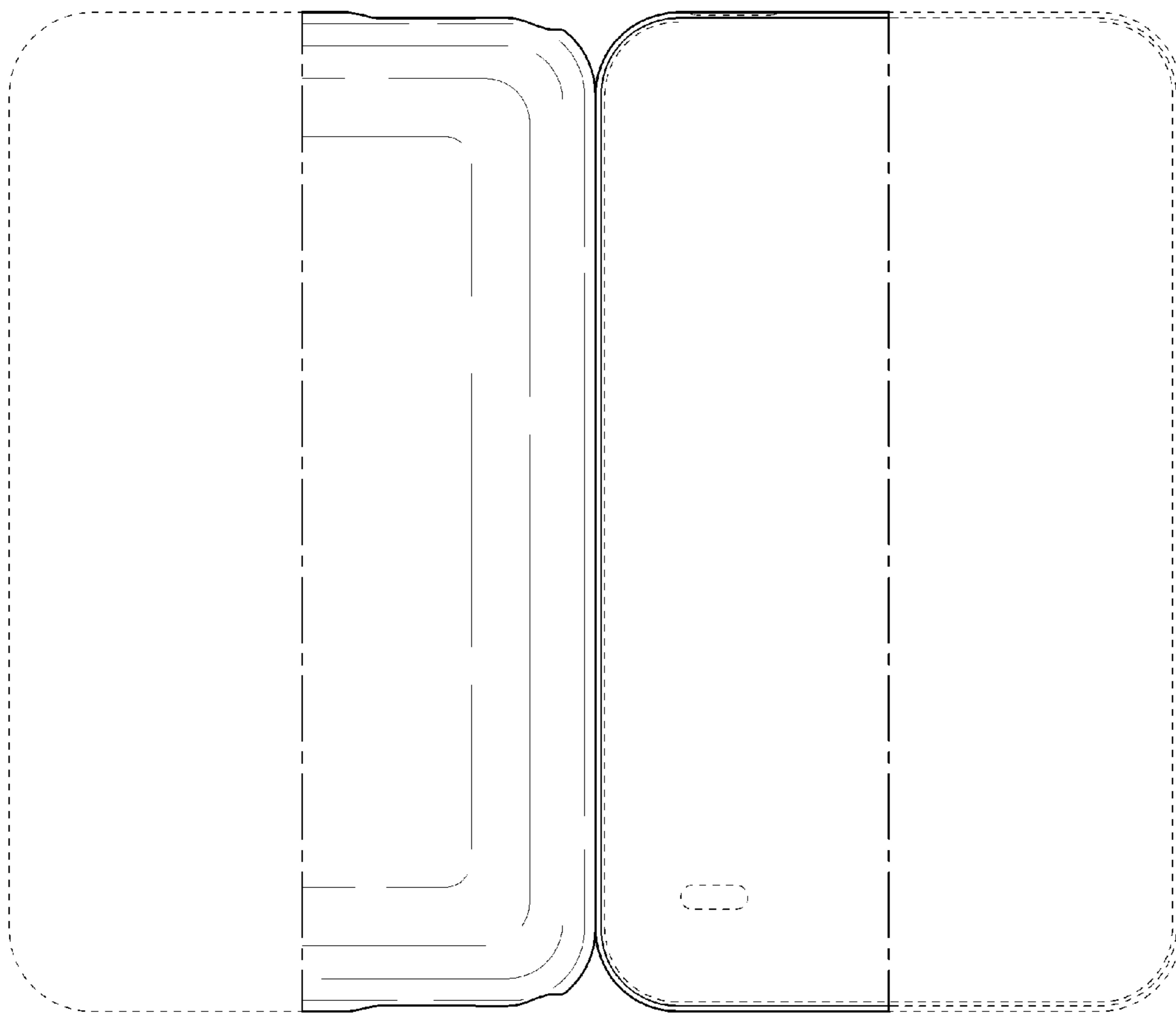


FIG.4

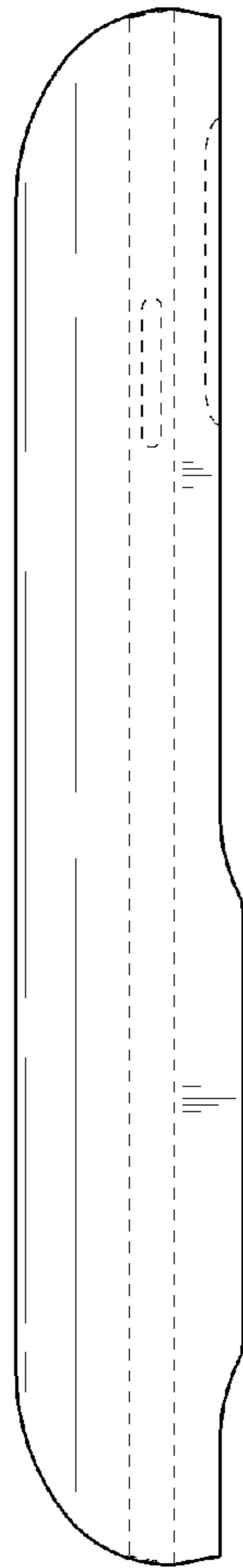


FIG.5

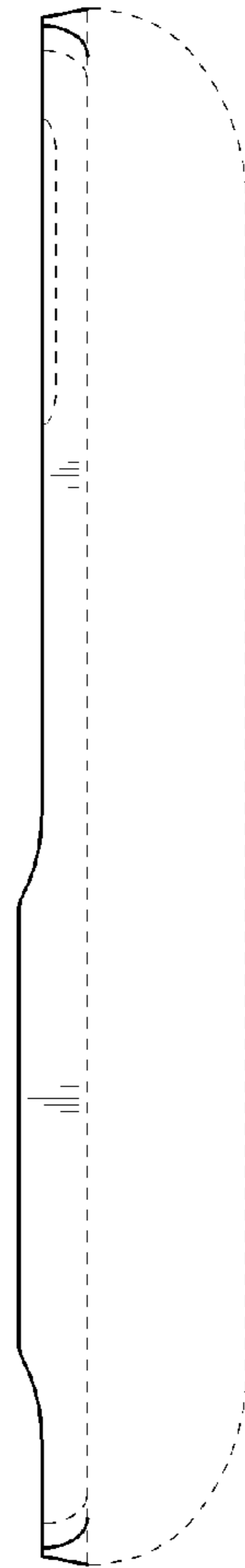


FIG.6

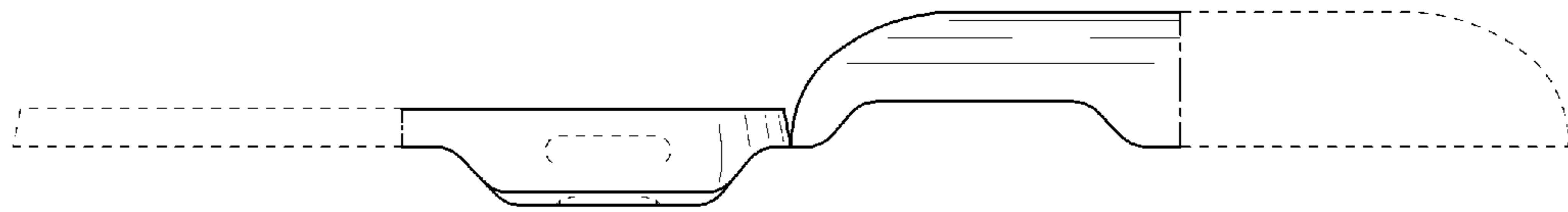


FIG.7

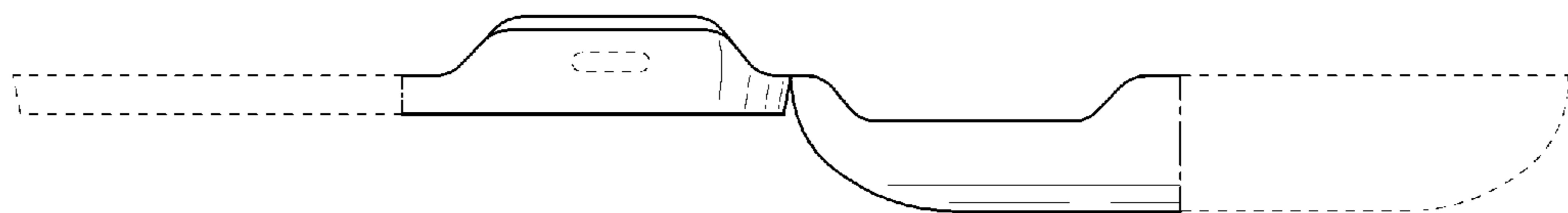


FIG.8

