



US00D723693S

(12) **United States Design Patent**
Banryu

(10) **Patent No.:** **US D723,693 S**
(45) **Date of Patent:** **** Mar. 3, 2015**

(54) **OPERATION DEVICE FOR A MAGNETIC
RESONANCE TOMOGRAPHY DIAGNOSIS
APPARATUS**

(71) Applicants: **Kabushiki Kaisha Toshiba**, Minato-ku,
Tokyo (JP); **Toshiba Medical Systems
Corporation**, Otawara-shi, Tochigi-ken
(JP)

(72) Inventor: **Atsunobu Banryu**, Funbashi (JP)

(73) Assignees: **Kabushiki Kaisha Toshiba**, Minato-ku,
Tokyo (JP); **Toshiba Medical Systems
Corporation**, Otawara-shi, Tochigi-ken
(JP)

(**) Term: **14 Years**

(21) Appl. No.: **29/486,049**

(22) Filed: **Mar. 26, 2014**

(30) **Foreign Application Priority Data**

Nov. 27, 2013 (JP) 2013-027785

(51) **LOC (10) Cl.** **24-01**

(52) **U.S. Cl.**
USPC **D24/158**

(58) **Field of Classification Search**
USPC D24/158-161, 185, 186; 378/4, 15, 17,
378/21, 23-27, 62, 68, 196-198; 600/410,
600/421, 422; D13/162, 164, 168, 171;
D14/388, 443
See application file for complete search history.

(56) **References Cited**

U.S. PATENT DOCUMENTS

D432,995 S * 10/2000 Hubler et al. D13/162
D523,146 S * 6/2006 Ogiwara D24/158

D540,749 S * 4/2007 Kaule D13/168
D545,434 S * 6/2007 Ogiwara D24/158
D545,966 S * 7/2007 Ogiwara D24/158
D548,344 S * 8/2007 Ogiwara D24/158
D551,347 S * 9/2007 Baba D24/158
D617,746 S * 6/2010 Choi D13/168
D630,751 S * 1/2011 Yanase et al. D24/158
D642,542 S * 8/2011 Berning et al. D13/164
D685,093 S * 6/2013 Shimizu D24/158

FOREIGN PATENT DOCUMENTS

CN 301954034 6/2012
JP 1037192 4/1999

* cited by examiner

Primary Examiner — Anhdao Doan

(74) *Attorney, Agent, or Firm* — Banner & Witcoff, Ltd.

(57) **CLAIM**

The ornamental design for a operation device for a magnetic resonance tomography diagnosis apparatus, as shown and described.

DESCRIPTION

FIG. 1 is a front, top and left side perspective view of a operation device for a magnetic resonance tomography diagnosis apparatus, showing my new design;
FIG. 2 is a top view thereof;
FIG. 3 is a front view thereof;
FIG. 4 is a right side view thereof, the left side view being symmetrical;
FIG. 5 is a rear view thereof;
FIG. 6 is a bottom view thereof; and,
FIG. 7 is an enlarged cross-section view thereof, taken along the line 7-7 in FIG. 3 with its internal mechanisms omitted. The broken lines shown in FIG. 7 are for environmental purposes only and form no part of the claimed design.

1 Claim, 2 Drawing Sheets

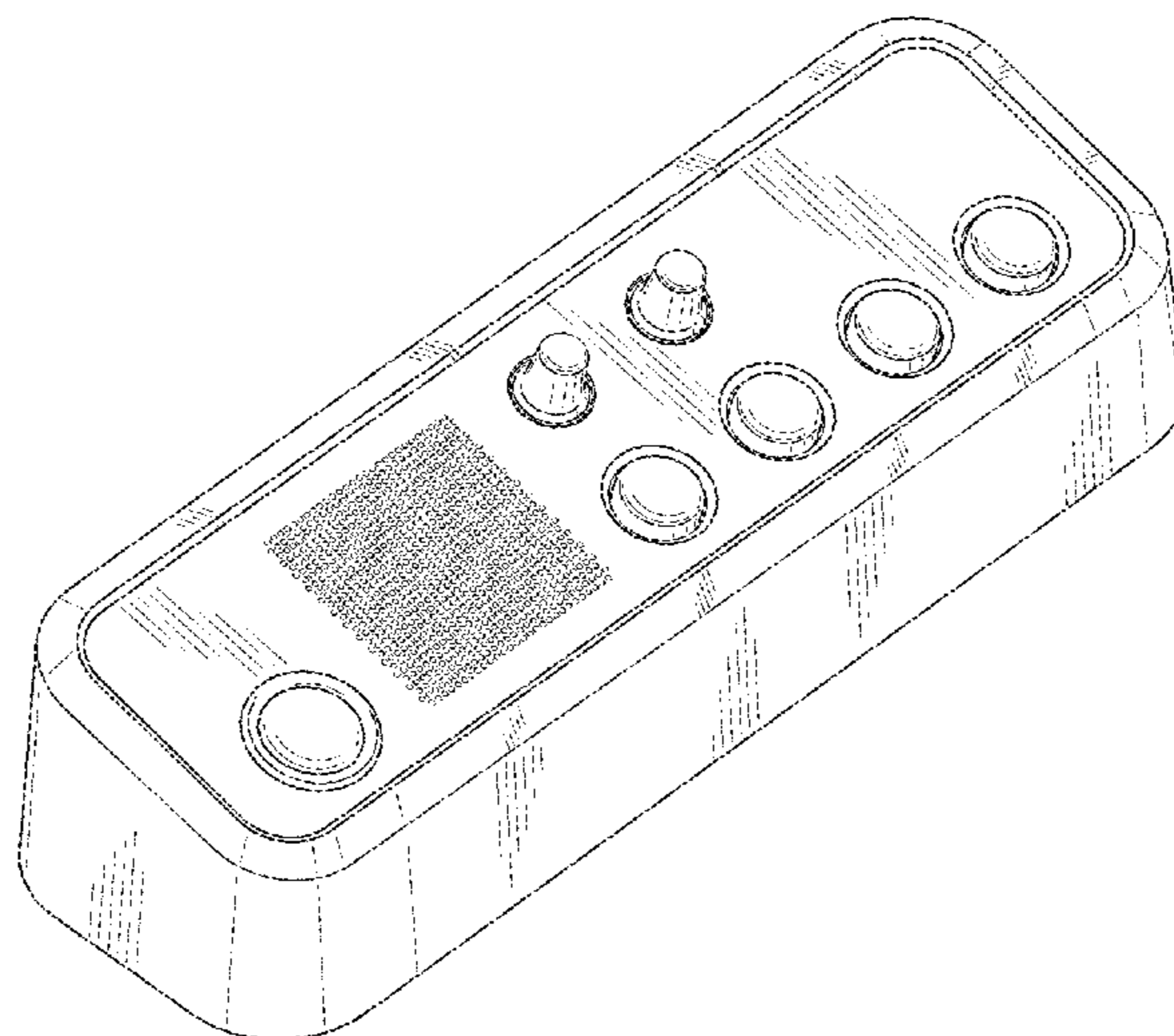


Fig.1

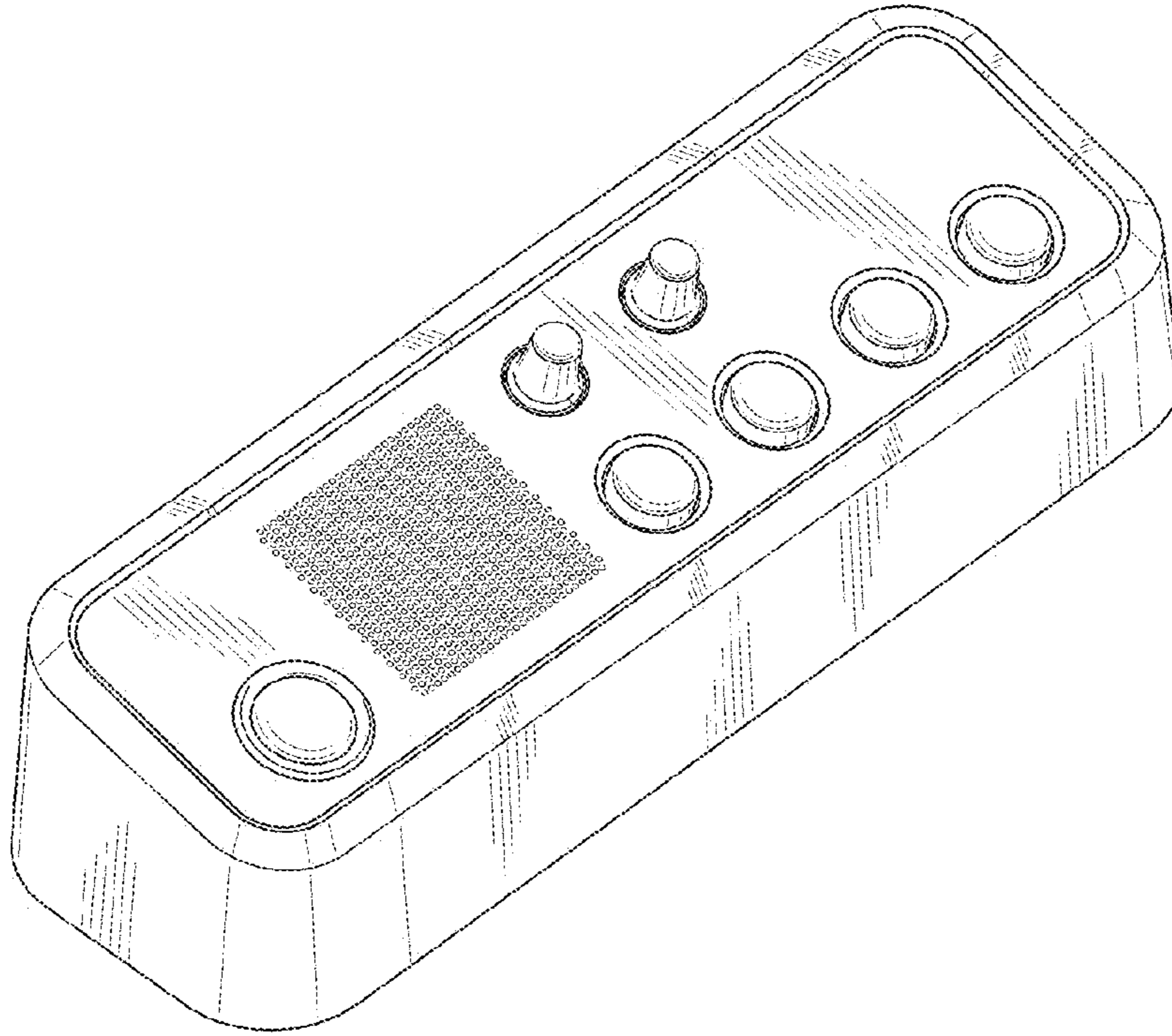


Fig.2

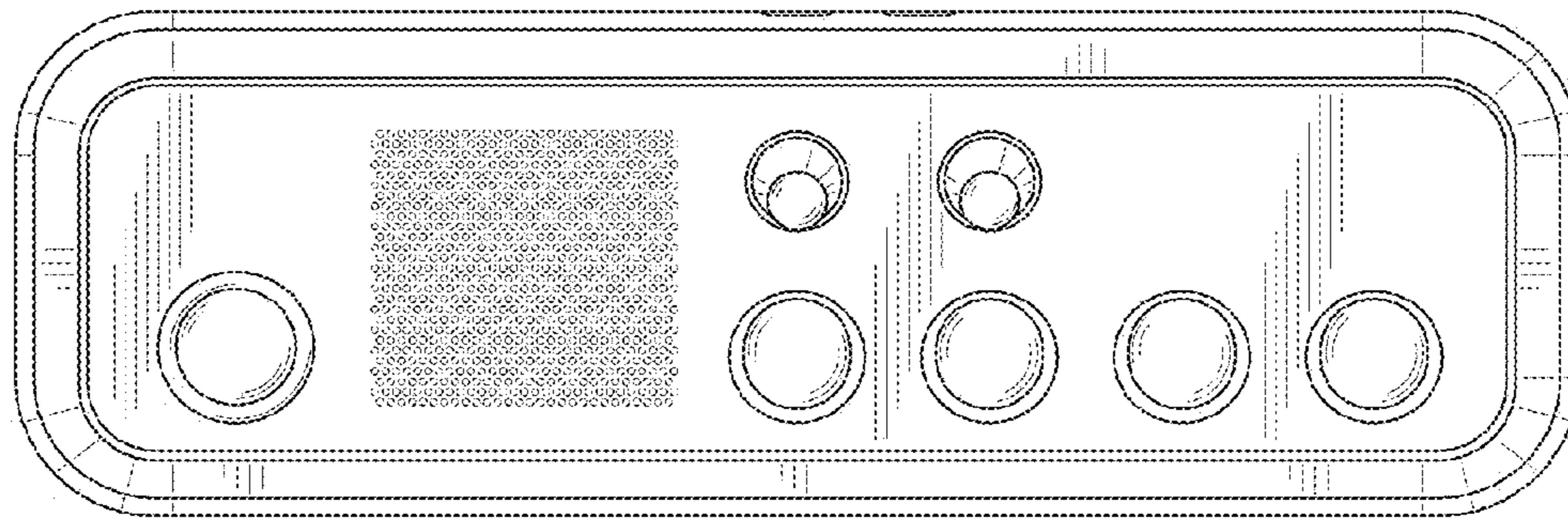


Fig.3

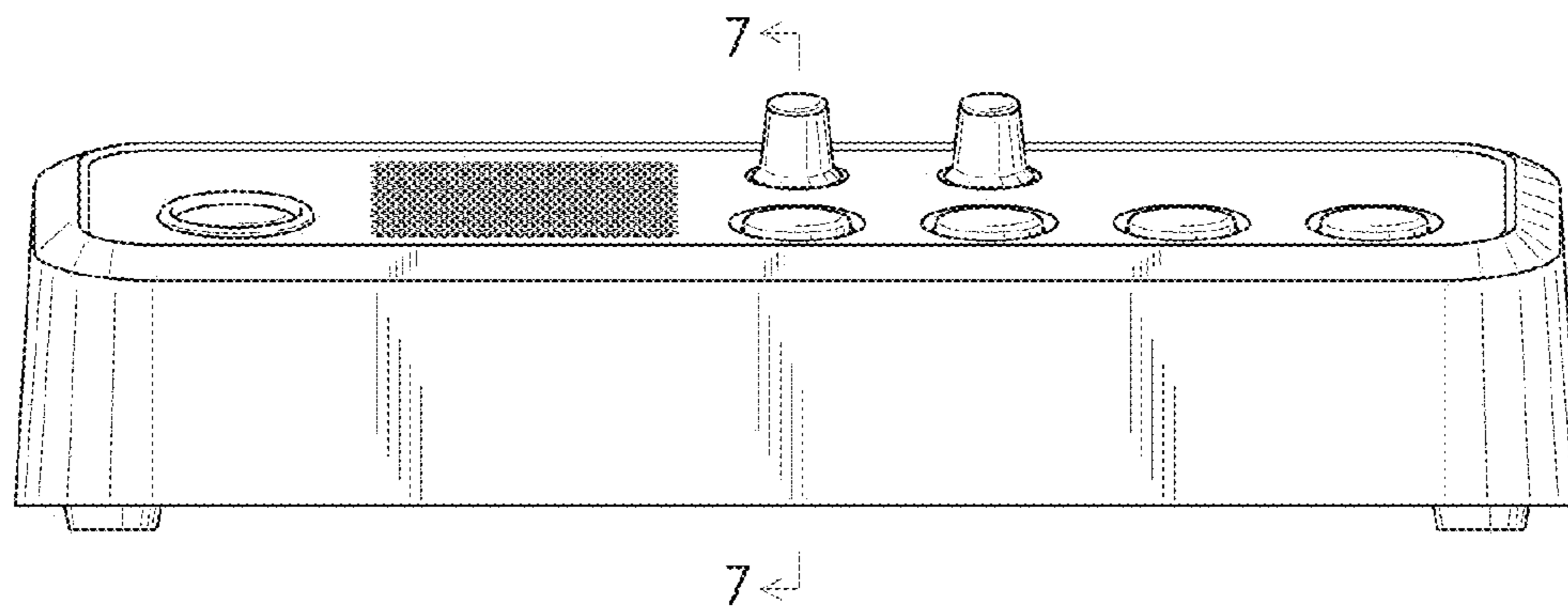


Fig. 4

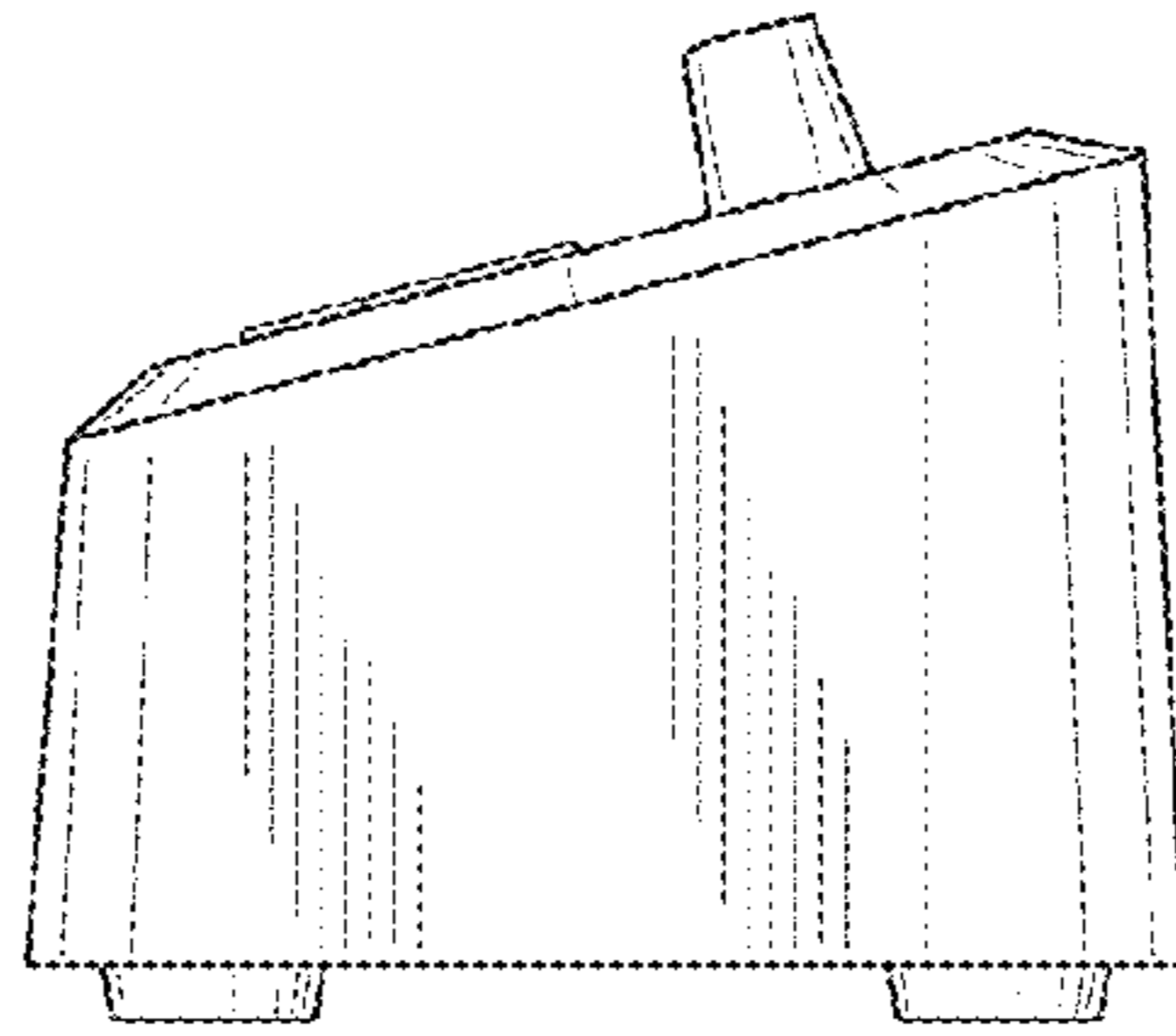


Fig. 5

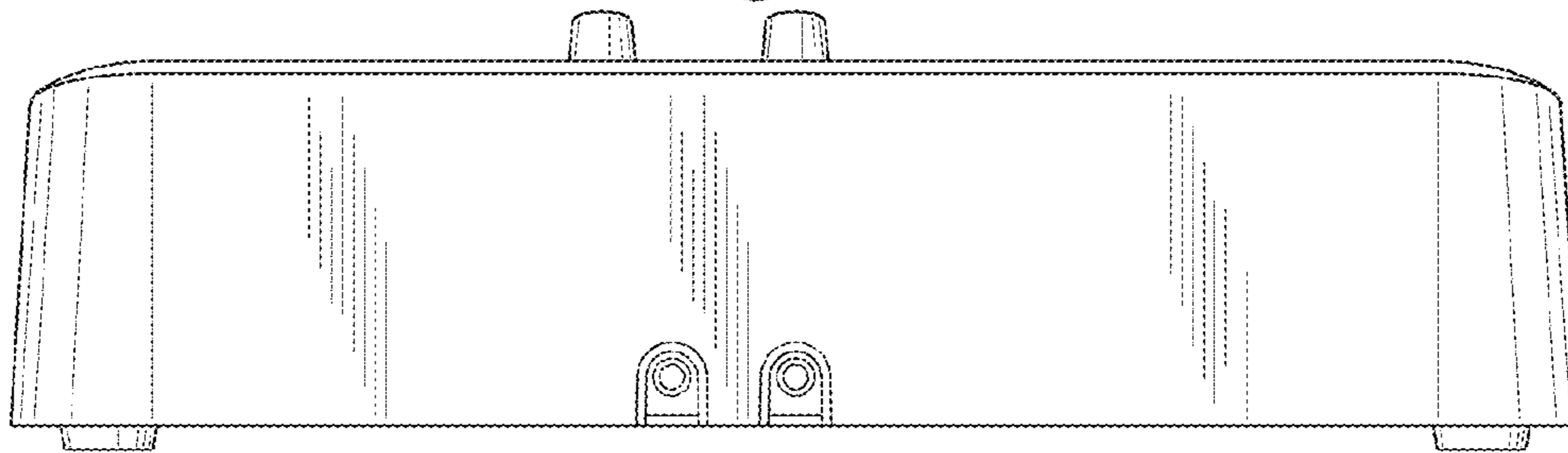


Fig. 6

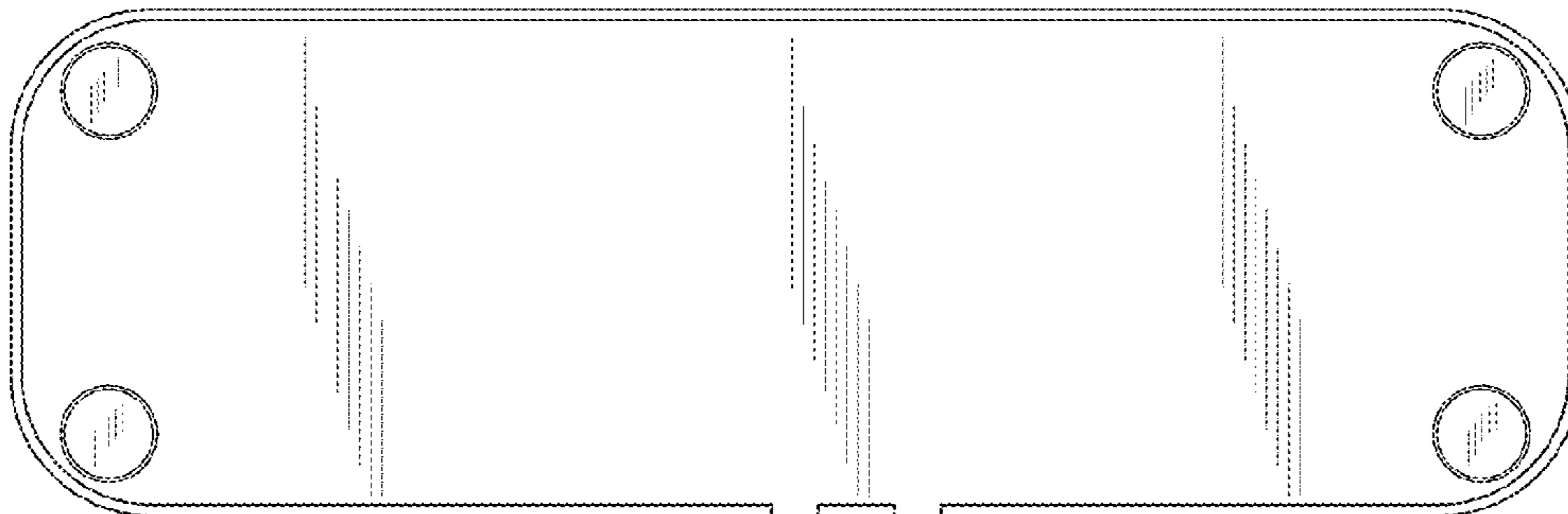


Fig. 7

