



US00D723692S

(12) **United States Design Patent**  
**Meyer et al.**

(10) **Patent No.:** **US D723,692 S**  
(45) **Date of Patent:** **\*\* Mar. 3, 2015**

- (54) **OFFSET PROSTHETIC ADAPTOR**
- (71) Applicant: **Bulldog Tools, Inc.**, Lewisburg, OH (US)
- (72) Inventors: **Robert B. Meyer**, Lewisburg, OH (US);  
**Wilbur N. Meyer**, Brookville, OH (US)
- (73) Assignee: **Bulldog Tools, Inc.**, Lewisburg, OH (US)
- (\*\*) Term: **14 Years**
- (21) Appl. No.: **29/456,666**
- (22) Filed: **Jun. 3, 2013**
- (51) **LOC (10) Cl.** ..... **24-02**
- (52) **U.S. Cl.**  
USPC ..... **D24/155**
- (58) **Field of Classification Search**  
USPC ..... D24/155-156, 176, 171; D8/387;  
D15/21, 28; 433/172-174; 623/17.16,  
623/17.17, 11.11, 23.26, 23.27, 38;  
606/266, 328, 54, 264, 273, 250  
See application file for complete search history.

D617,460 S *	6/2010	Okuda et al. ....	D24/155
D618,349 S *	6/2010	Krishna et al. ....	D24/155
D620,594 S *	7/2010	Curtis .....	D24/155
D663,417 S *	7/2012	Meyer et al. ....	D24/155
D663,418 S *	7/2012	Meyer et al. ....	D24/155
D669,586 S *	10/2012	Meyer et al. ....	D24/155

**OTHER PUBLICATIONS**

ST&G Corporation—Offset Totating Pyramid, Ti—Titanium—  
Webpage 2012.  
ST&G Corporation—Offset Rotating Receiver—Titanium—  
Webpage 2012.

\* cited by examiner

*Primary Examiner* — Ian Simmons  
*Assistant Examiner* — Charles Hanson

(74) *Attorney, Agent, or Firm* — Jacox, Meckstroth &  
Jenkins

(57) **CLAIM**

The ornamental design for an offset prosthetic adaptor, as shown and described.

**DESCRIPTION**

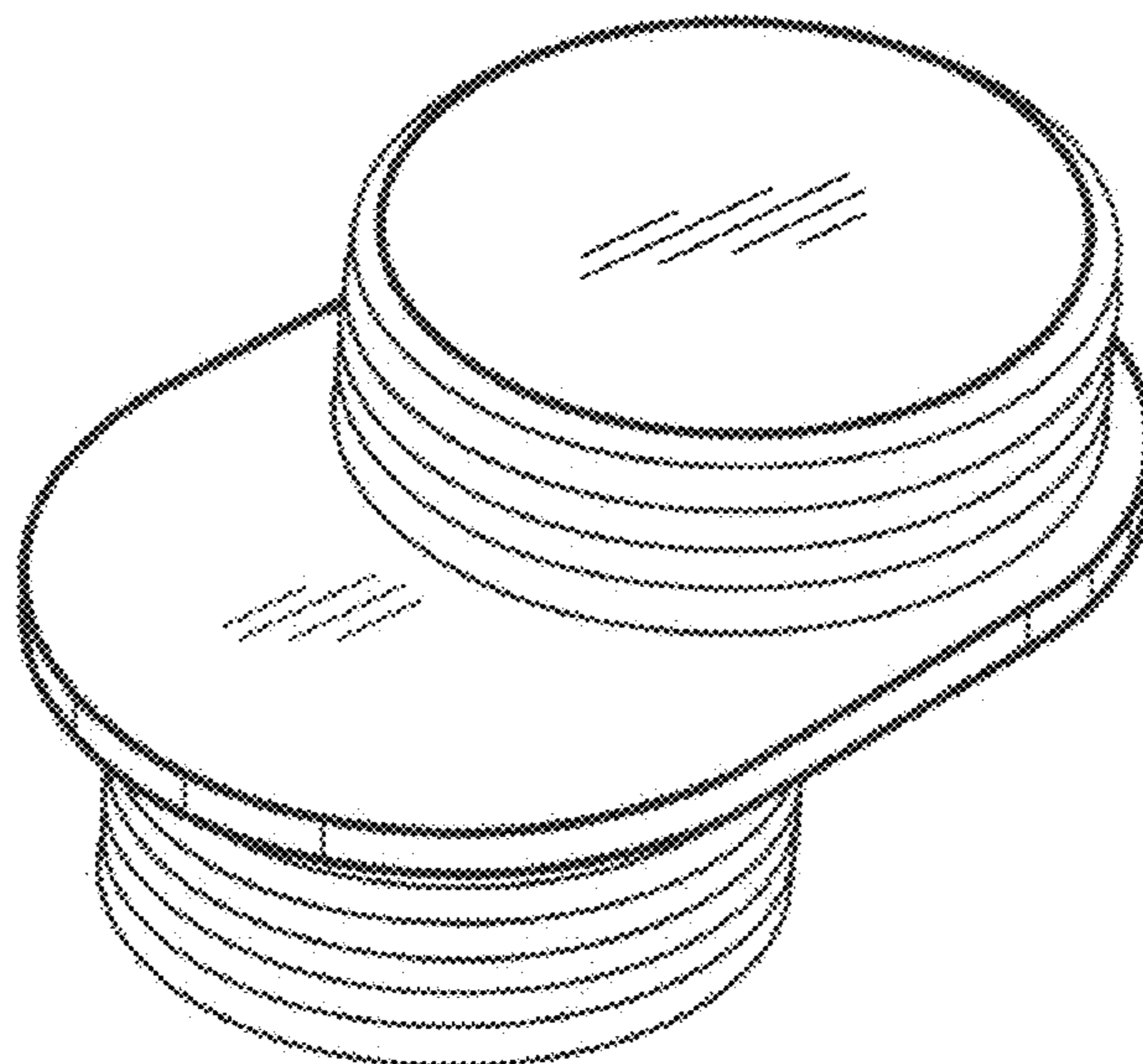
FIG. 1 is a perspective view of an offset prosthetic adaptor and showing our new design;  
FIG. 2 is side view thereof, the opposite side view being a mirror image;  
FIG. 3 is a top view thereof, the opposite view being a mirror image; and,  
FIG. 4 is an end view thereof, the opposite end view being a mirror image.

**1 Claim, 1 Drawing Sheet**

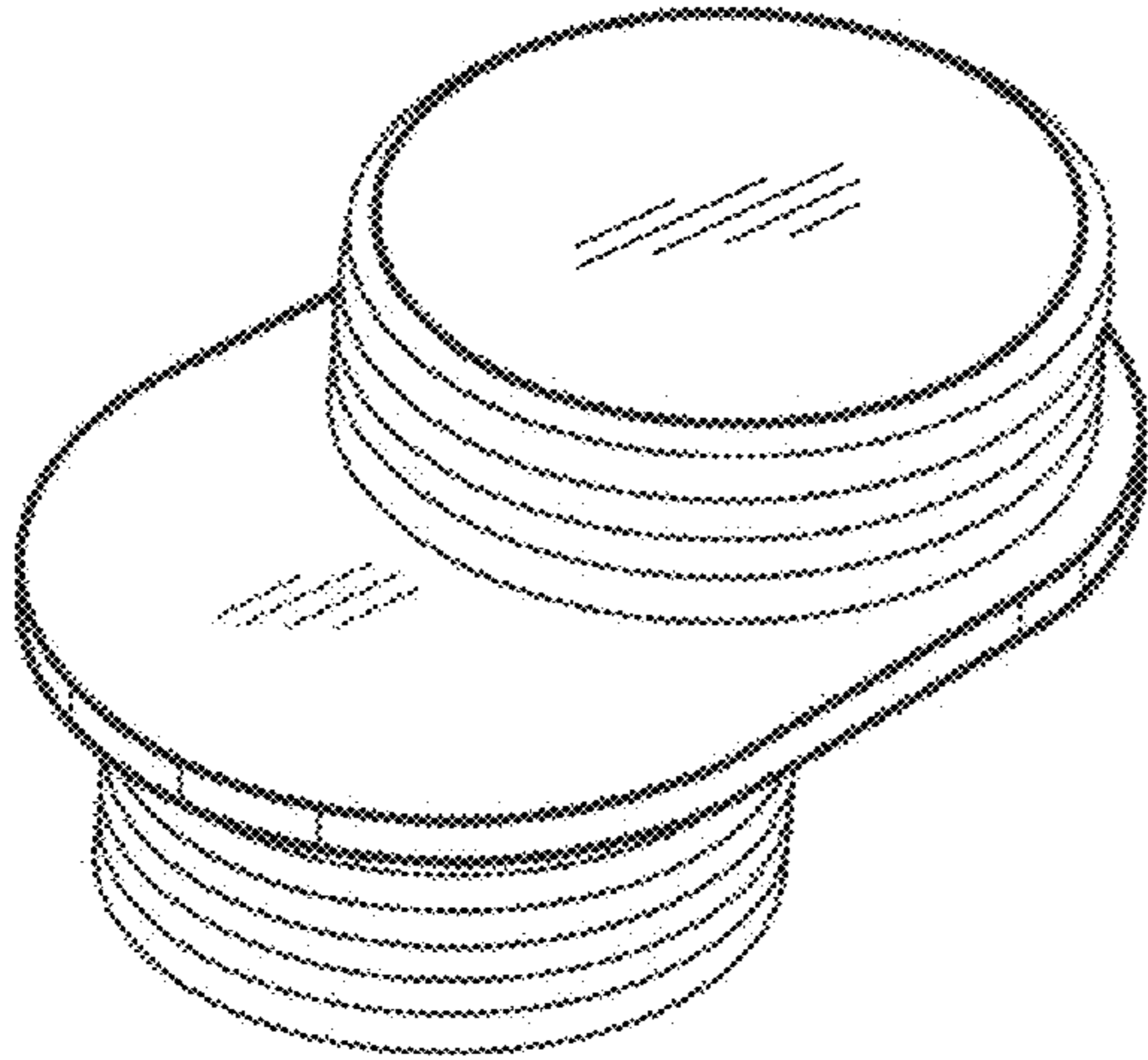
(56) **References Cited**

**U.S. PATENT DOCUMENTS**

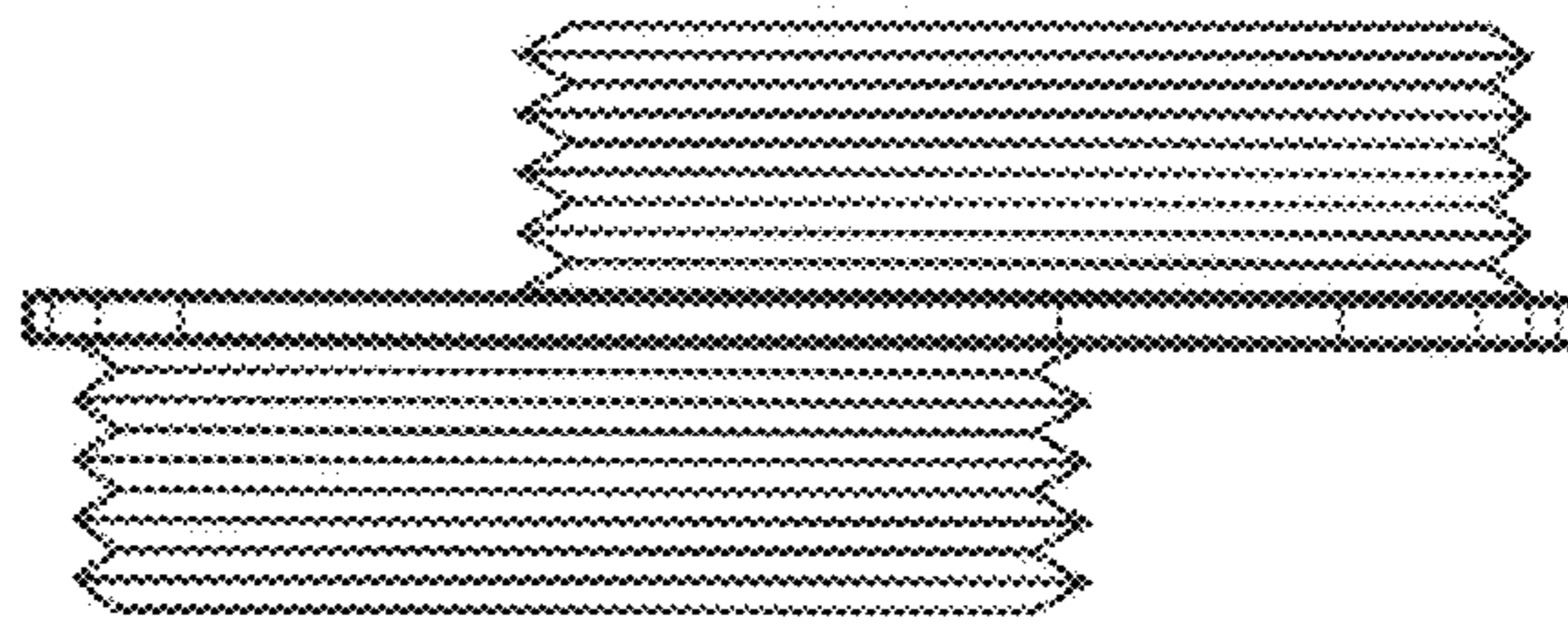
RE36,521 E *	1/2000	Hiemisch .....	623/38
D462,768 S *	9/2002	Meyer et al. ....	D24/155
D475,786 S *	6/2003	Lund .....	D24/155
D493,534 S *	7/2004	Meyer et al. ....	D24/155
7,090,700 B2 *	8/2006	Curtis .....	623/38
7,338,532 B2 *	3/2008	Haberman et al. ....	623/38



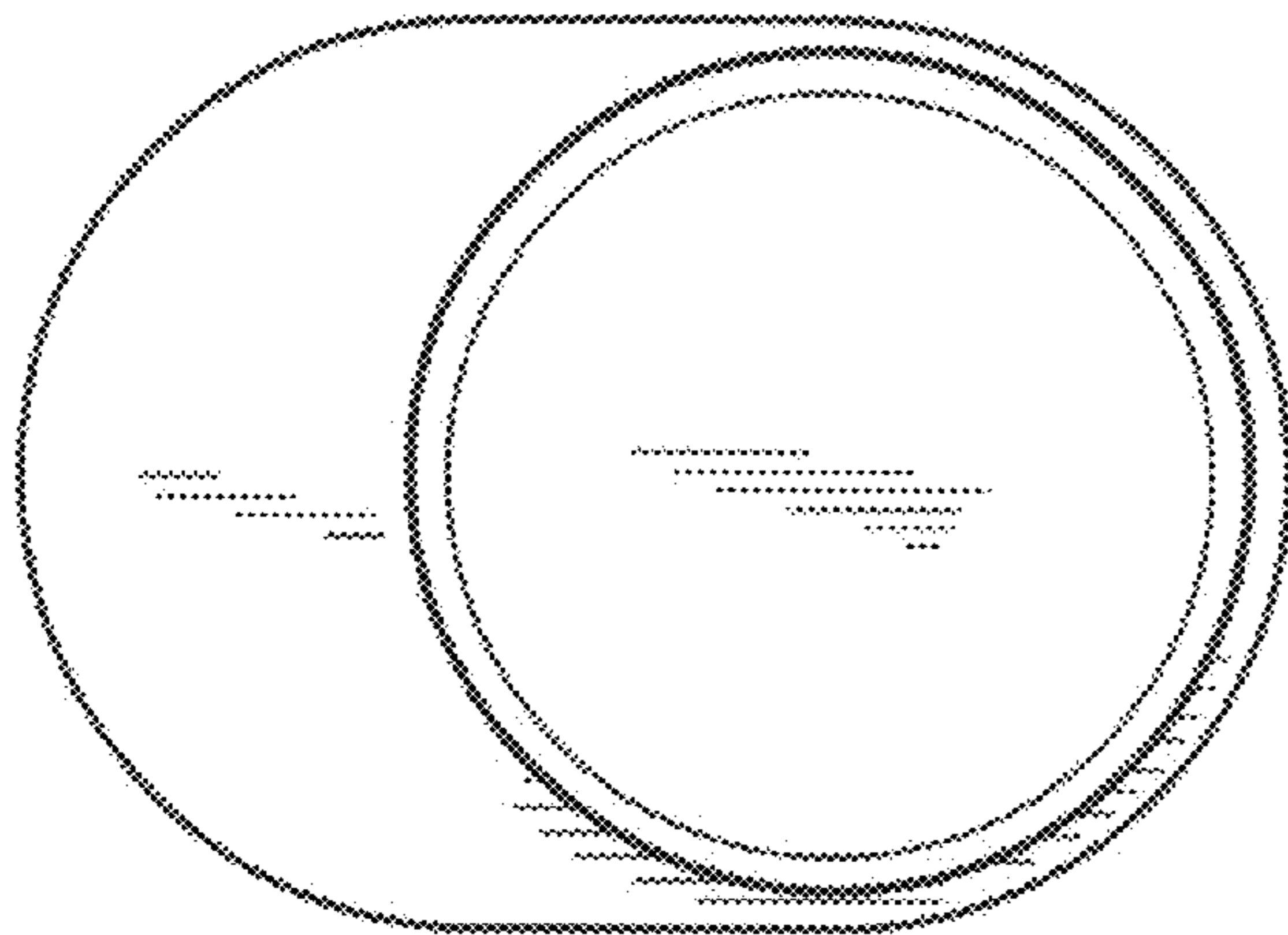
**FIG. 1**



**FIG. 2**



**FIG. 3**



**FIG. 4**

