



US00D723689S

(12) **United States Design Patent**  
**George**

(10) **Patent No.:** **US D723,689 S**  
(45) **Date of Patent:** **\*\* Mar. 3, 2015**

(54) **SURGICAL SCISSORS**

(76) Inventor: **Samuel George, Weybridge (GB)**

(\*\*) Term: **14 Years**

(21) Appl. No.: **29/413,754**

(22) Filed: **Feb. 20, 2012**

**Related U.S. Application Data**

(63) Continuation-in-part of application No. 11/891,825, filed on Aug. 13, 2007, now abandoned.

(51) **LOC (10) Cl.** ..... **24-02**

(52) **U.S. Cl.**  
USPC ..... **D24/148**

(58) **Field of Classification Search**  
CPC ..... A61B 2018/00607; A61B 2018/00601;  
A61B 17/34; A61B 17/32; A61B 17/16;  
A61B 17/14  
USPC ..... D24/148, 133, 146, 147; 606/905, 167,  
606/174, 205; D8/57, 5, 356; 30/113, 241,  
30/30, 254, 341, 29, 131, 146, 145,  
30/194-204; 76/106.5  
See application file for complete search history.

(56) **References Cited**

**U.S. PATENT DOCUMENTS**

865,918 A 9/1907 Ladd  
1,956,588 A 5/1934 Parker et al.  
2,127,190 A 8/1938 Solomon  
2,854,005 A \* 9/1958 Vido ..... 606/174  
D204,853 S \* 5/1966 Cummings ..... D8/57  
D205,183 S \* 7/1966 Micklitsch ..... D8/57

D254,090 S \* 1/1980 Perry ..... D24/143  
D281,104 S \* 10/1985 Davison ..... D24/148  
5,320,636 A 6/1994 Slater  
D407,959 S \* 4/1999 Rashman ..... D24/148  
5,925,052 A 7/1999 Simmons  
D492,777 S \* 7/2004 Propp et al. .... D24/143  
D536,587 S \* 2/2007 Zaremski ..... D8/57  
D540,648 S \* 4/2007 Junck ..... D8/107  
D575,400 S \* 8/2008 Patterson et al. .... D24/143  
D617,905 S \* 6/2010 Moorman ..... D24/148  
D630,324 S \* 1/2011 Reschke ..... D24/143  
D661,395 S \* 6/2012 Titolo ..... D24/143  
D669,987 S \* 10/2012 Bashir ..... D24/143  
2008/0004650 A1 \* 1/2008 George ..... 606/174

**FOREIGN PATENT DOCUMENTS**

GB 2345857 A 7/2000

\* cited by examiner

*Primary Examiner* — Ian Simmons  
*Assistant Examiner* — Carissa C Fitts

(57) **CLAIM**

The ornamental design for a surgical scissors, as shown and described.

**DESCRIPTION**

FIG. 1 is a front view of a surgical scissors showing my new design.

FIG. 2 is a rear view thereof.

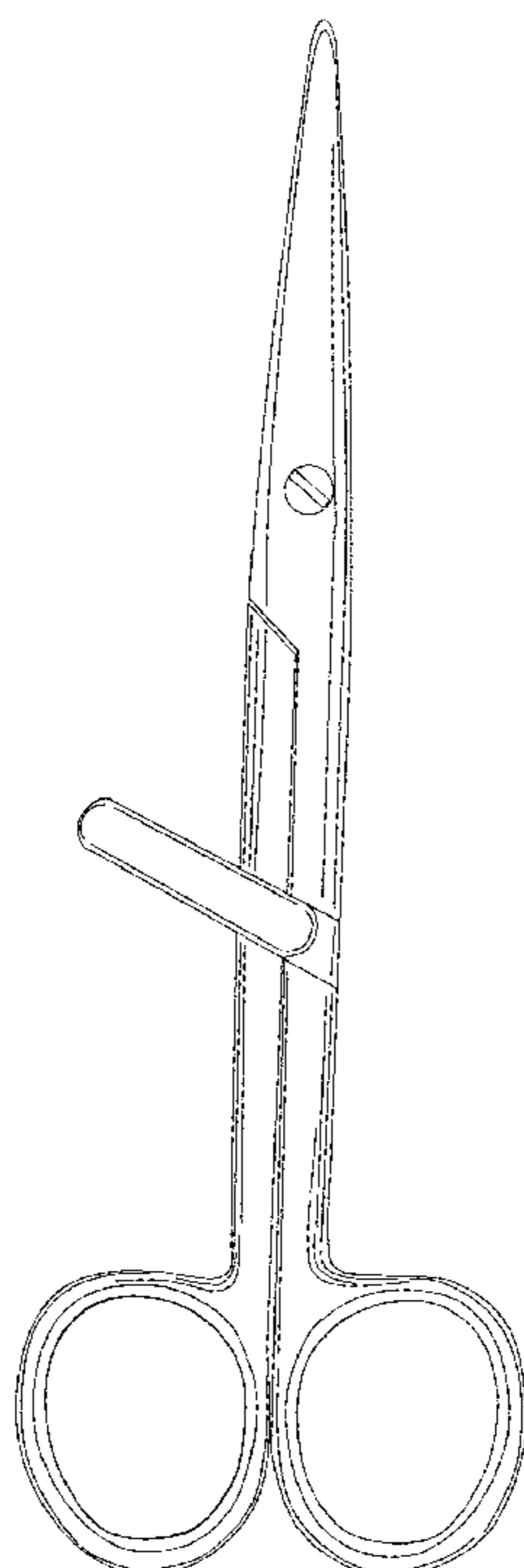
FIG. 3 is a right view thereof.

FIG. 4 is a left view thereof.

FIG. 5 is a top view thereof; and,

FIG. 6 is a bottom view thereof.

**1 Claim, 4 Drawing Sheets**



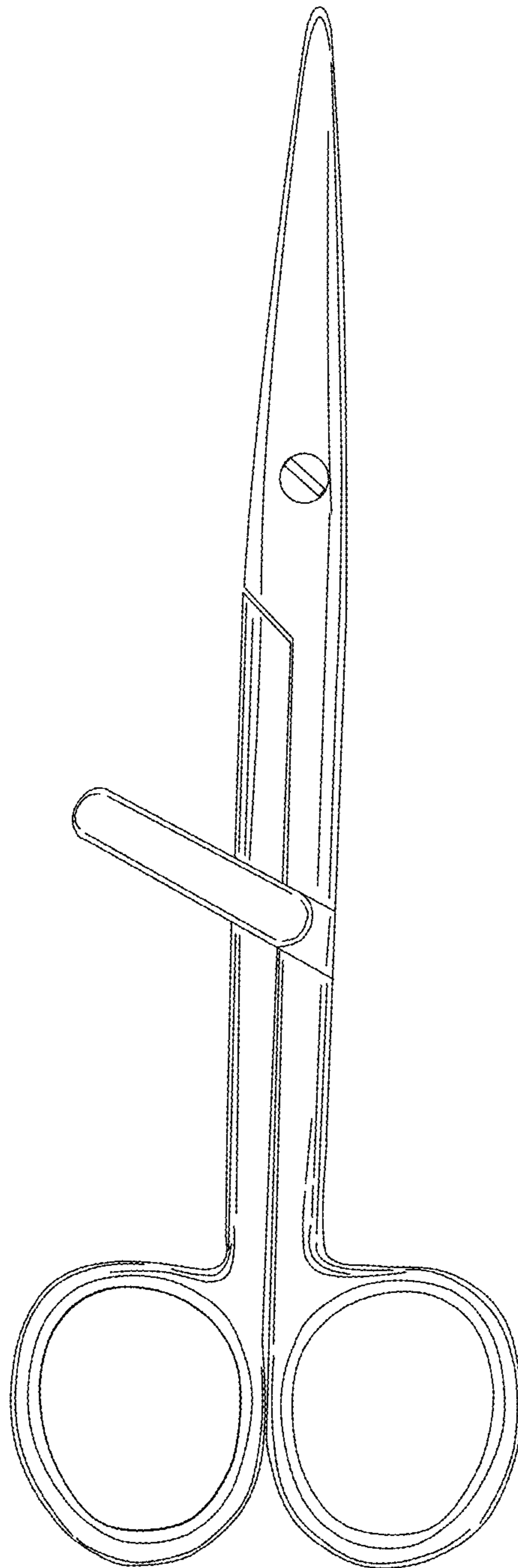


FIG. 1

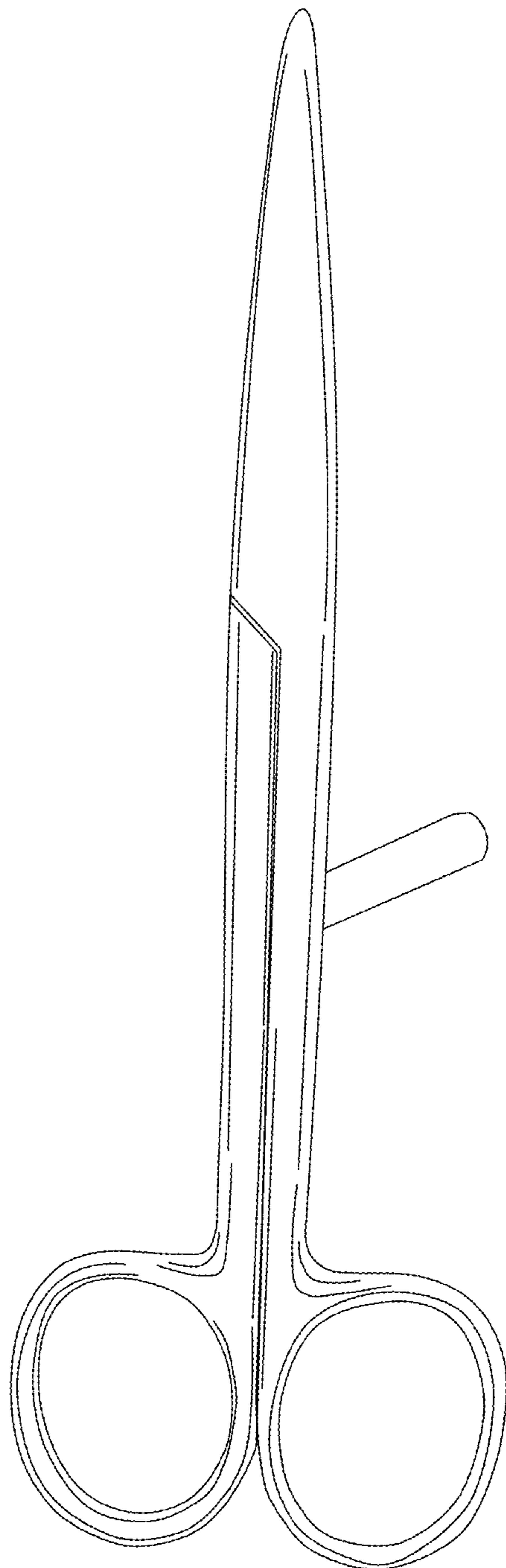


FIG. 2

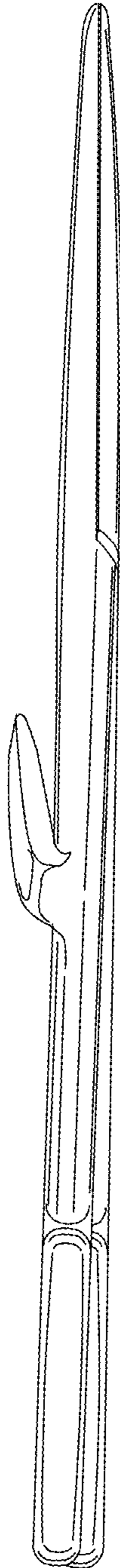


FIG. 3



FIG. 4

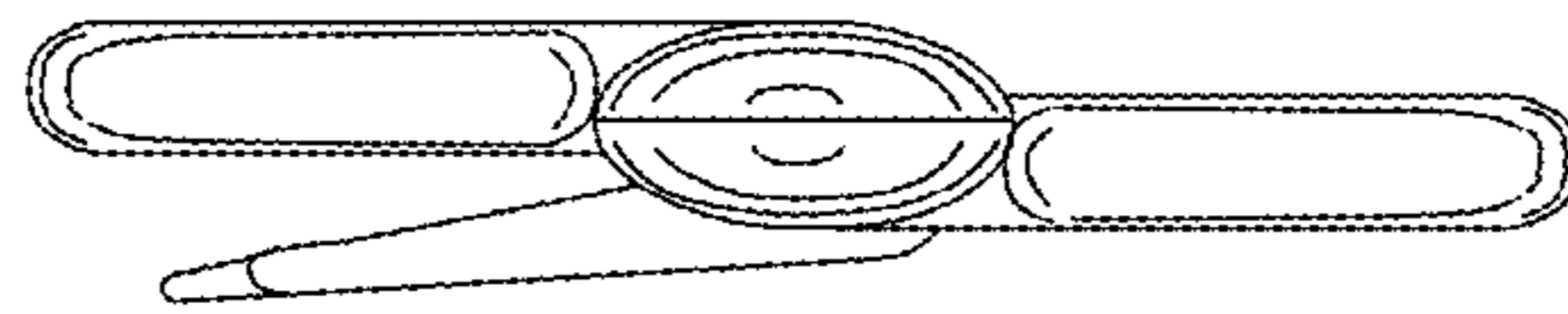


FIG. 5

FIG. 6

