



US00D723687S

(12) **United States Design Patent**  
**Kratoska et al.**

(10) **Patent No.:** **US D723,687 S**  
(45) **Date of Patent:** **\*\* Mar. 3, 2015**

(54) **ELECTROSURGICAL HAND PIECE**

(71) Applicant: **Gyrus ACMI, Inc.**, Southborough, MA (US)

(72) Inventors: **William F. Kratoska**, Plymouth, MN (US); **Ryan J. Windgassen**, Nowthen, MN (US); **Manfred Held**, Hamberg (DE)

(73) Assignee: **Gyrus ACMI, Inc.**, Southborough, MA (US)

(\*\*) Term: **14 Years**

(21) Appl. No.: **29/485,034**

(22) Filed: **Mar. 14, 2014**

(51) **LOC (10) Cl.** ..... **24-02**

(52) **U.S. Cl.**  
USPC ..... **D24/144**

(58) **Field of Classification Search**  
USPC ..... D24/144, 133; 606/39-42, 45, 132, 606/167, 186  
See application file for complete search history.

(56) **References Cited**

**U.S. PATENT DOCUMENTS**

5,112,299 A \* 5/1992 Pascaloff ..... 606/180  
5,484,434 A \* 1/1996 Cartmell et al. .... 606/39

6,099,525 A \* 8/2000 Cosmescu ..... 606/41  
6,607,528 B1 \* 8/2003 Quick et al. .... 606/45  
D494,270 S \* 8/2004 Reschke ..... D24/144  
7,449,022 B2 \* 11/2008 Quick et al. .... 606/45  
D691,718 S 10/2013 Ryan et al.  
D704,332 S \* 5/2014 Casey et al. .... D24/133

\* cited by examiner

*Primary Examiner* — Wan Laymon

(74) *Attorney, Agent, or Firm* — VivacquaLaw, PLLC; Eric Kurtycz

(57) **CLAIM**

The ornamental design for an electrosurgical hand piece, as shown and described.

**DESCRIPTION**

FIG. 1 is a rear side perspective view of the electrosurgical hand piece of the medical instrument, showing my new design;

FIG. 2 is a front side perspective view thereof;

FIG. 3 is a top view thereof;

FIG. 4 is a right side view thereof, the left side view (not shown) being a mirror image of the right side view;

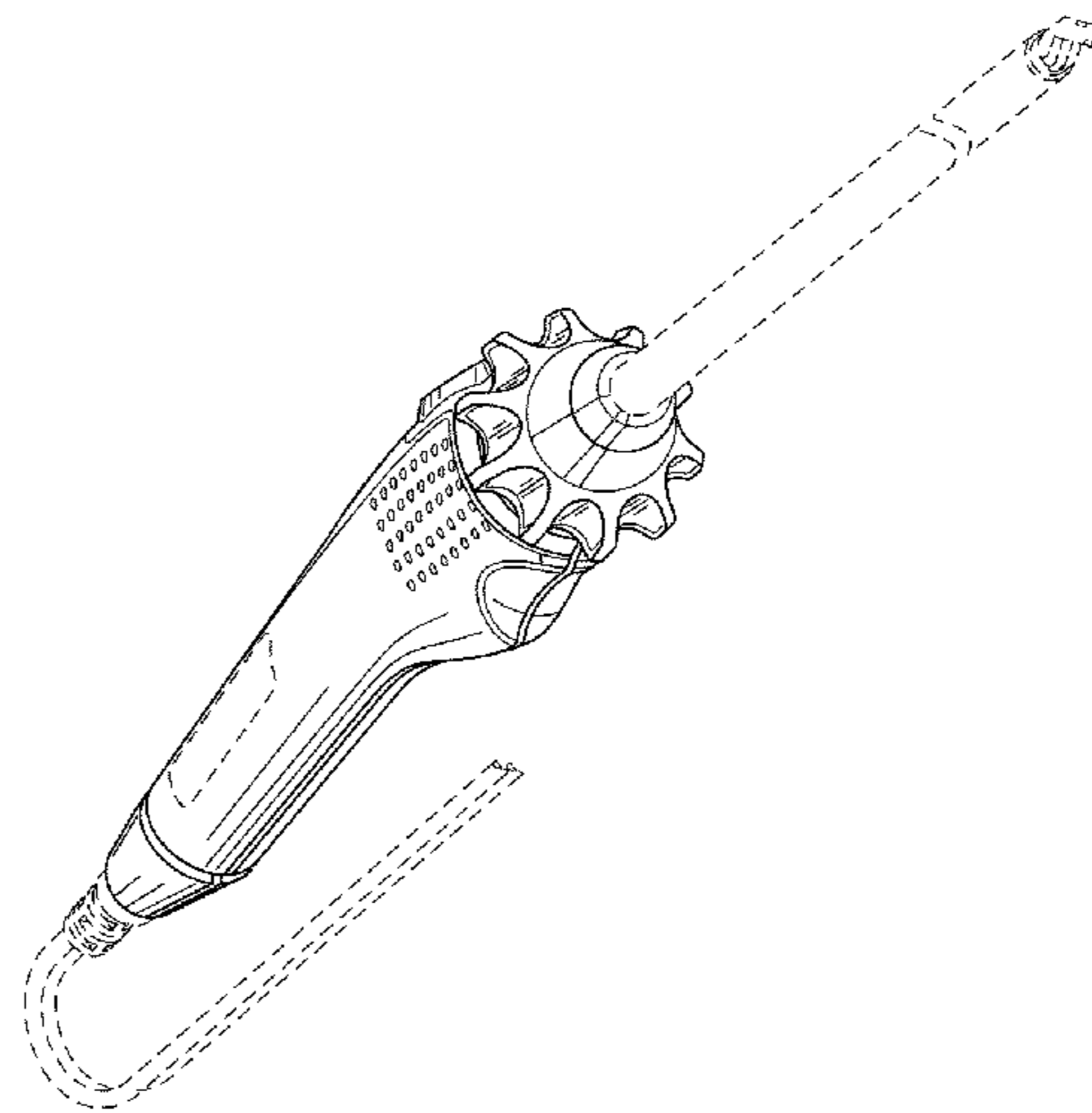
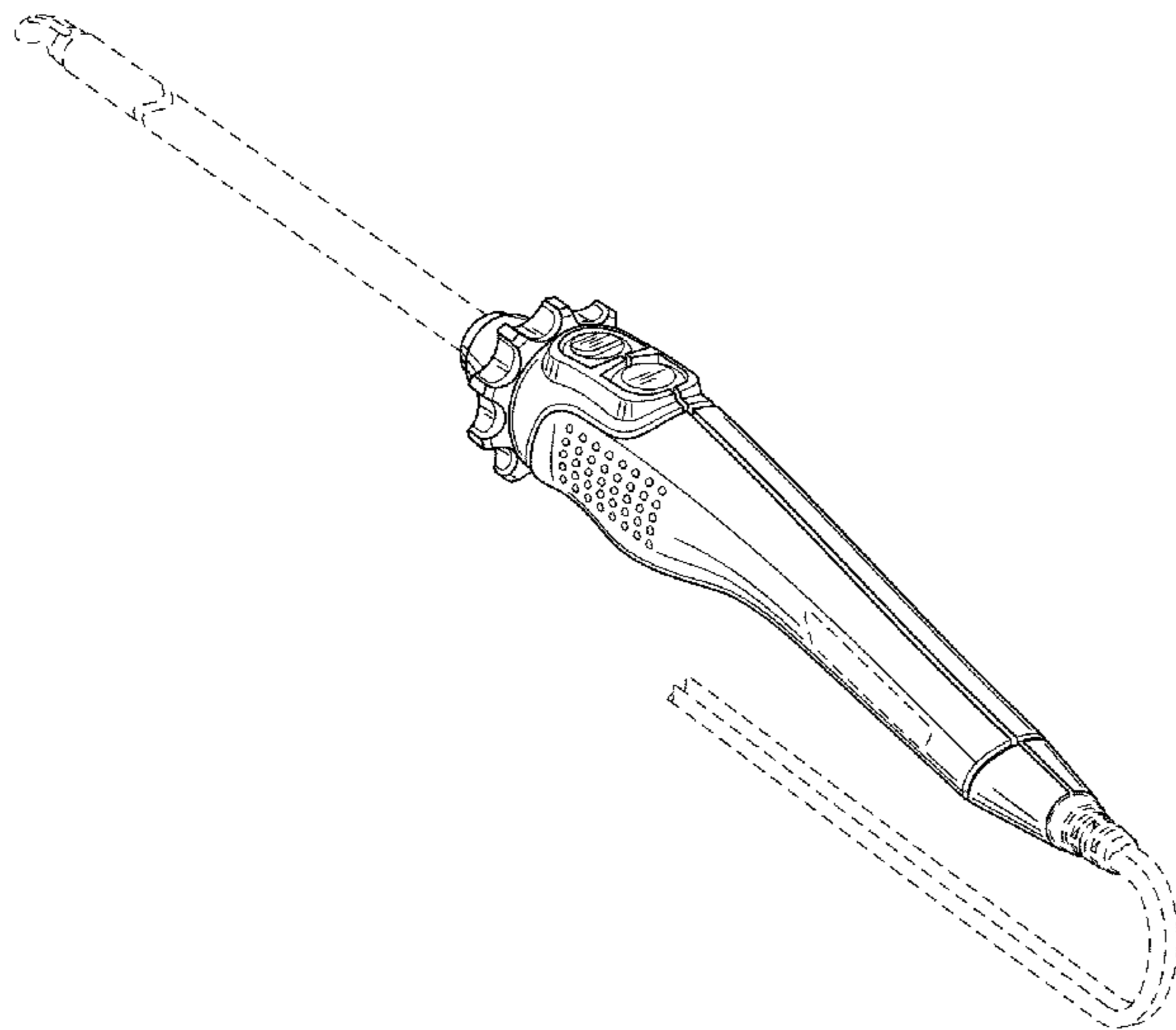
FIG. 5 is a bottom view thereof;

FIG. 6 is a front view thereof; and,

FIG. 7 is a rear view thereof.

The broken lines are included for the purpose of illustrating environmental structure and form no part of the claimed design.

**1 Claim, 2 Drawing Sheets**



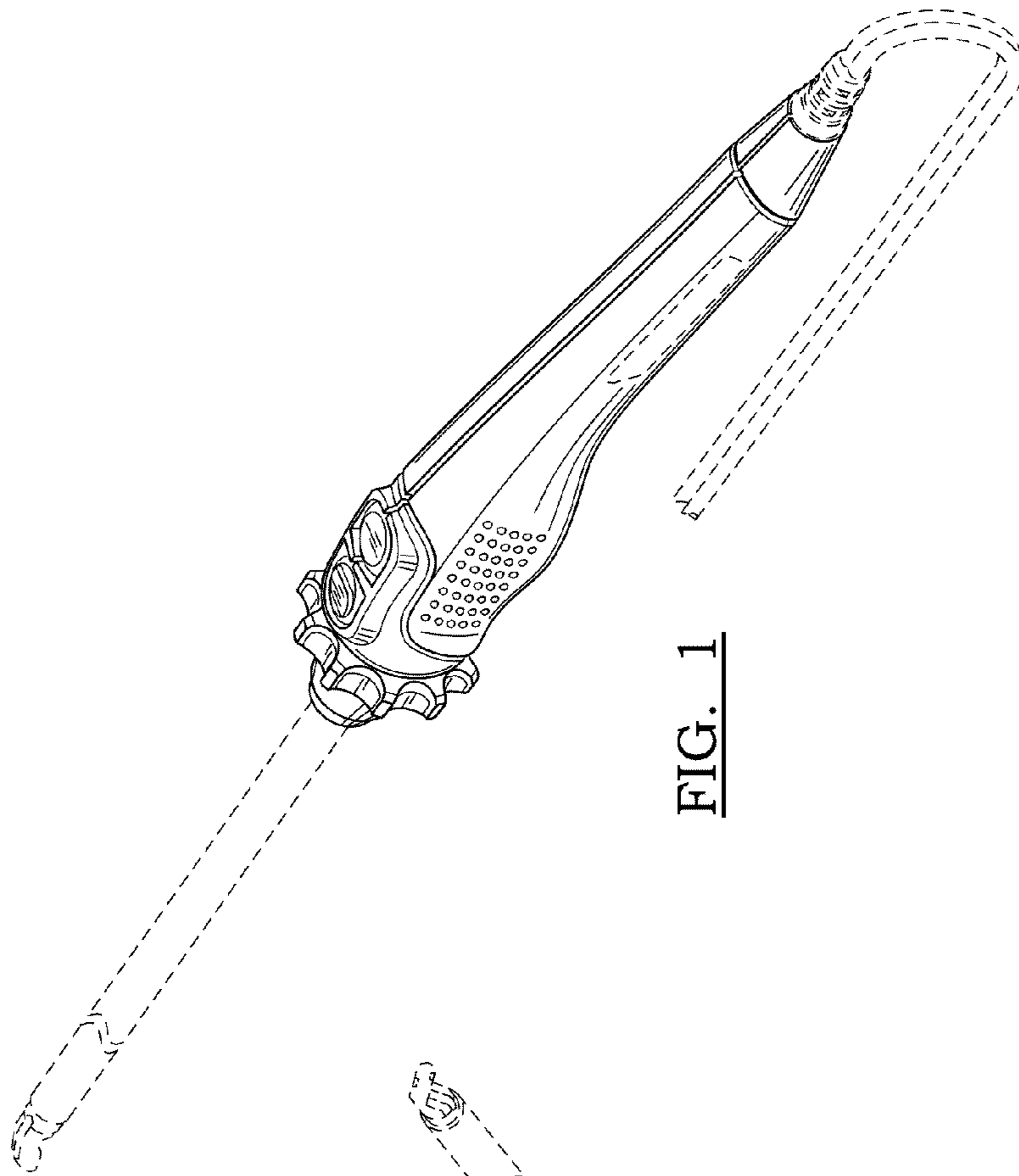


FIG. 1

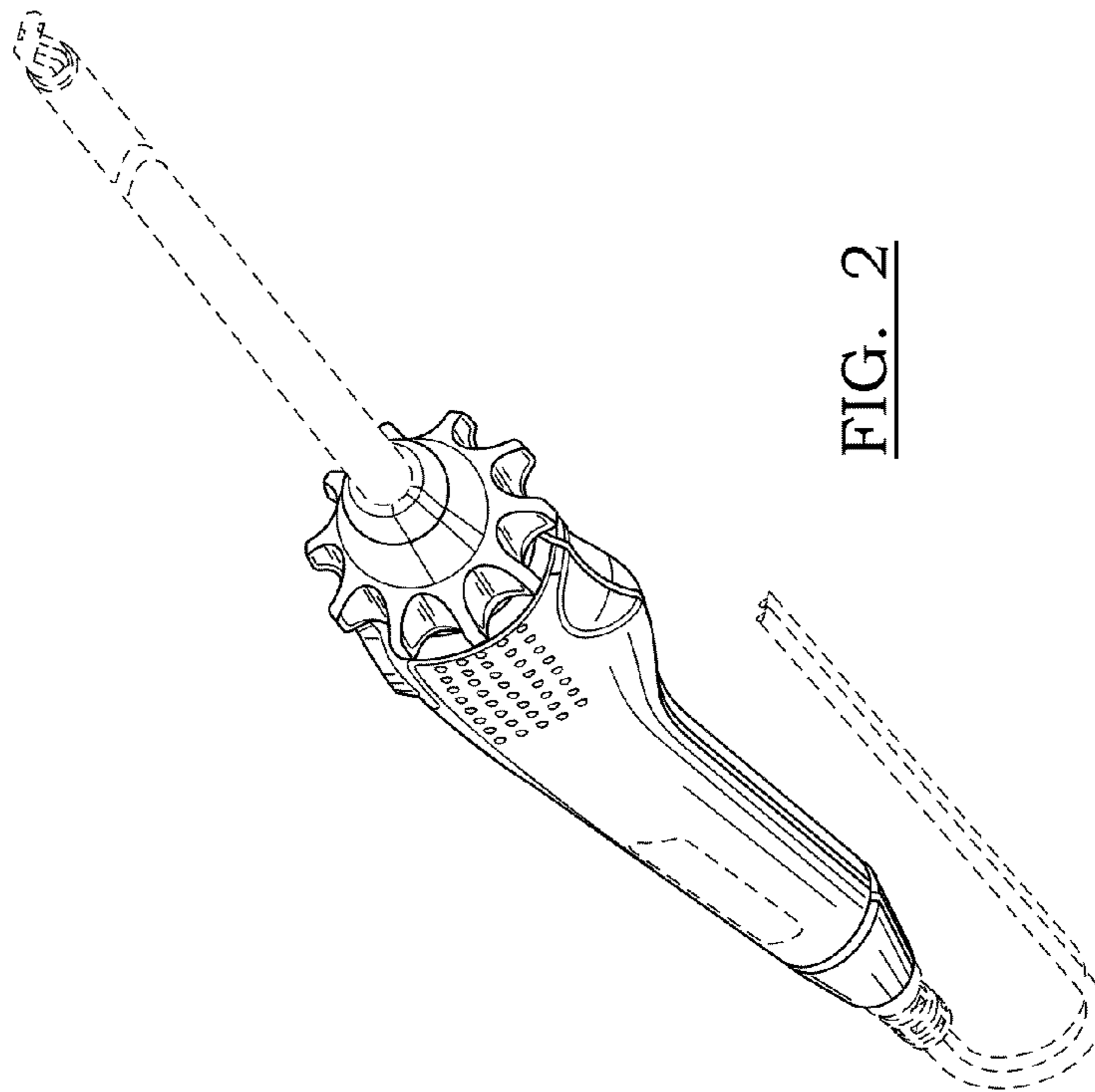


FIG. 2

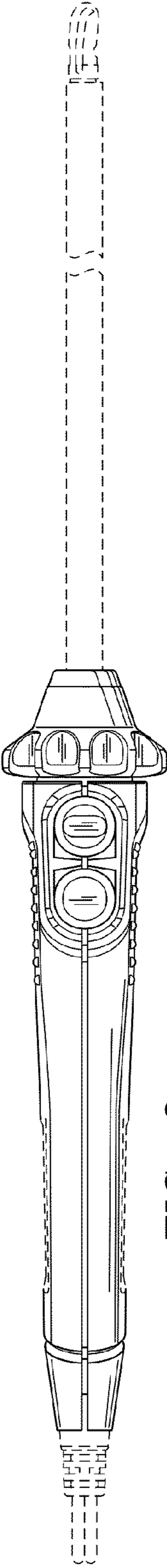


FIG. 3

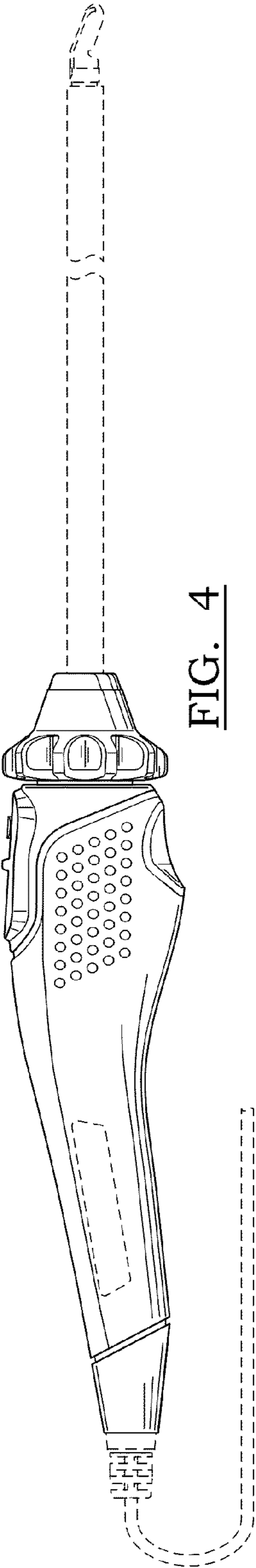


FIG. 4

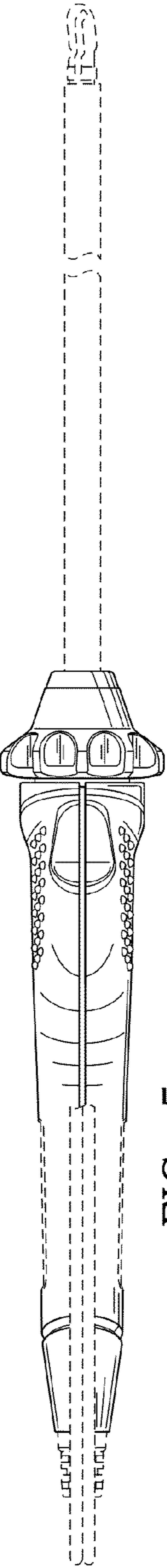


FIG. 5

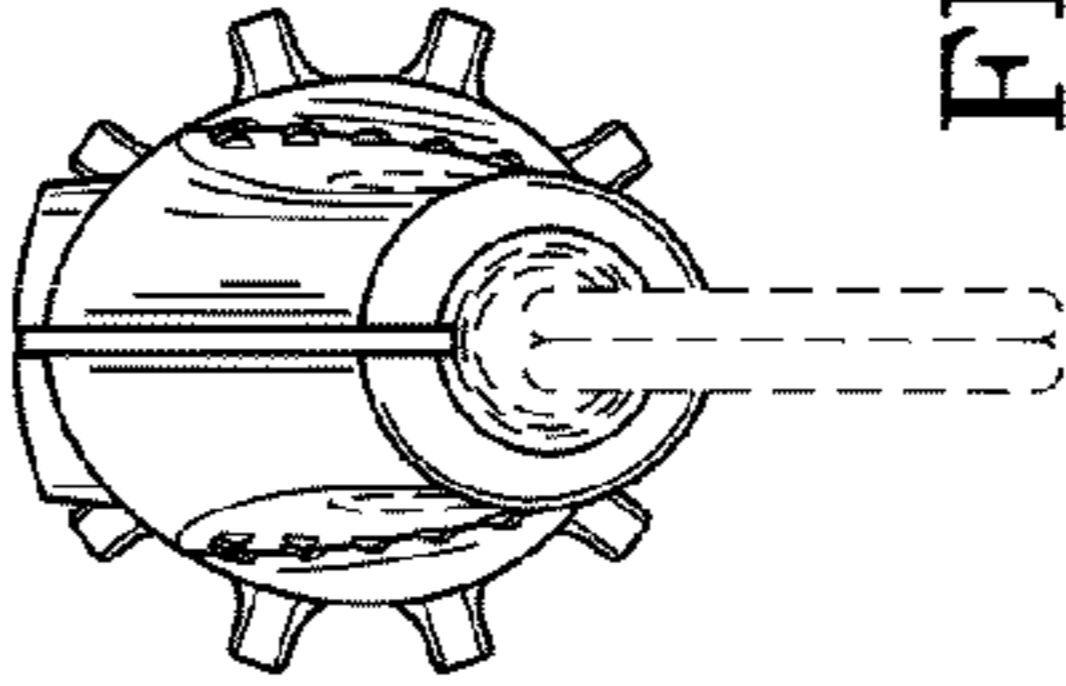


FIG. 7

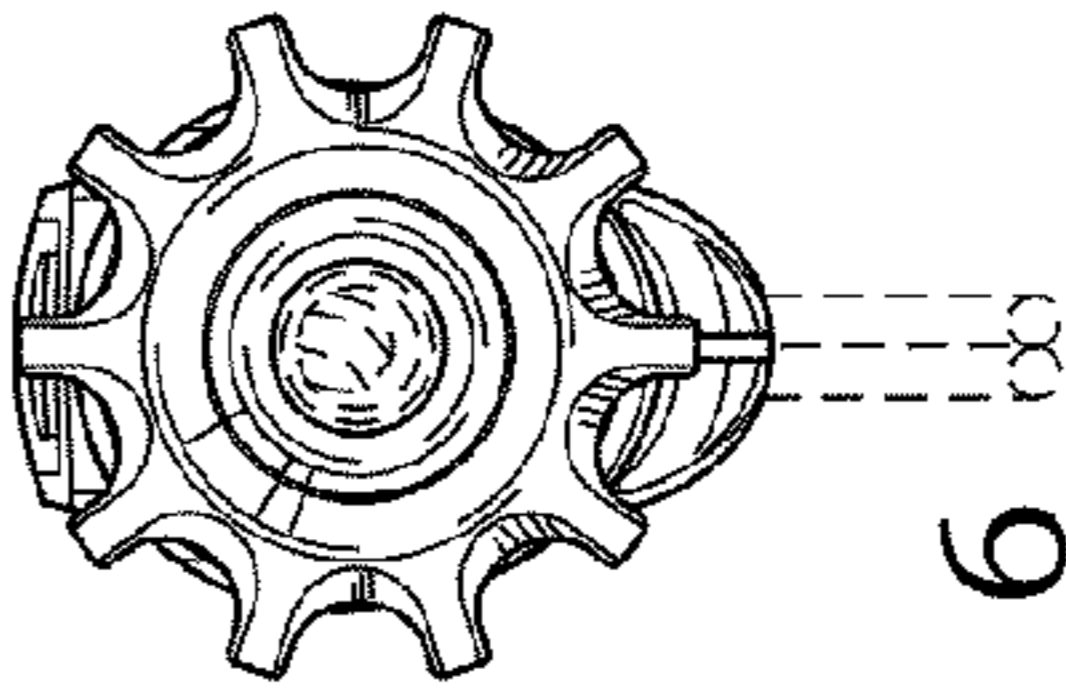


FIG. 6