



US00D723684S

(12) **United States Design Patent**
Funakoshi

(10) **Patent No.:** **US D723,684 S**
(45) **Date of Patent:** **** Mar. 3, 2015**

(54) **INDUSTRIAL ENDOSCOPE**
(71) Applicant: **Olympus Corporation**, Shibuya-ku,
Tokyo (JP)

2011/0066979 A1* 3/2011 Matsui 715/823
2011/0172490 A1* 7/2011 Ishikawa 600/102
2011/0243323 A1* 10/2011 Sato 380/200
2013/0079594 A1* 3/2013 Motoki 600/109

(72) Inventor: **Yasuo Funakoshi**, Hachioji (JP)
(73) Assignee: **Olympus Corporation**, Tokyo (JP)

FOREIGN PATENT DOCUMENTS

JP D1318670 1/2008

(**) Term: **14 Years**
(21) Appl. No.: **29/455,240**

OTHER PUBLICATIONS

Japanese Office Action dated Dec. 10, 2013 in counterpart Japanese Design Application No. 2013-003484.

(22) Filed: **May 17, 2013**

* cited by examiner

(30) **Foreign Application Priority Data**
Feb. 20, 2013 (JP) 2013-003484

Primary Examiner — Bridget L Eland
(74) *Attorney, Agent, or Firm* — Holtz, Holtz, Goodman & Chick PC

(51) **LOC (10) Cl.** **24-02**
(52) **U.S. Cl.**
USPC **D24/138**
(58) **Field of Classification Search**
CPC G02B 23/24; A61B 1/00; A61B 1/00052;
A61B 1/00066
USPC D24/138, 137, 133
See application file for complete search history.

(57) **CLAIM**
The ornamental design for an industrial endoscope, as shown and described.

(56) **References Cited**
U.S. PATENT DOCUMENTS
D599,017 S * 8/2009 Urushihata et al. D24/138
D601,699 S * 10/2009 Urushihata D24/138
D671,213 S * 11/2012 Funakoshi D24/138
D671,214 S * 11/2012 Funakoshi D24/138
2004/0054254 A1* 3/2004 Miyake 600/104
2007/0230075 A1* 10/2007 Murata et al. 361/58
2008/0207993 A1* 8/2008 Maruyama et al. 600/101
2008/0207998 A1* 8/2008 Maruyama 600/114
2008/0208002 A1* 8/2008 Maruyama 600/131

DESCRIPTION

FIG. 1 is a front, top and right side perspective view of an industrial endoscope showing my new design;
FIG. 2 is a front elevational view thereof;
FIG. 3 is a rear elevational view thereof;
FIG. 4 is a top plan view thereof;
FIG. 5 is a bottom plan view thereof;
FIG. 6 is a right side elevational view thereof; and,
FIG. 7 is a left side elevational view thereof.
The industrial endoscope is shown with a symbolic break in its length. The appearance of any portion of the article between the break lines forms no part of the claimed design.

1 Claim, 5 Drawing Sheets

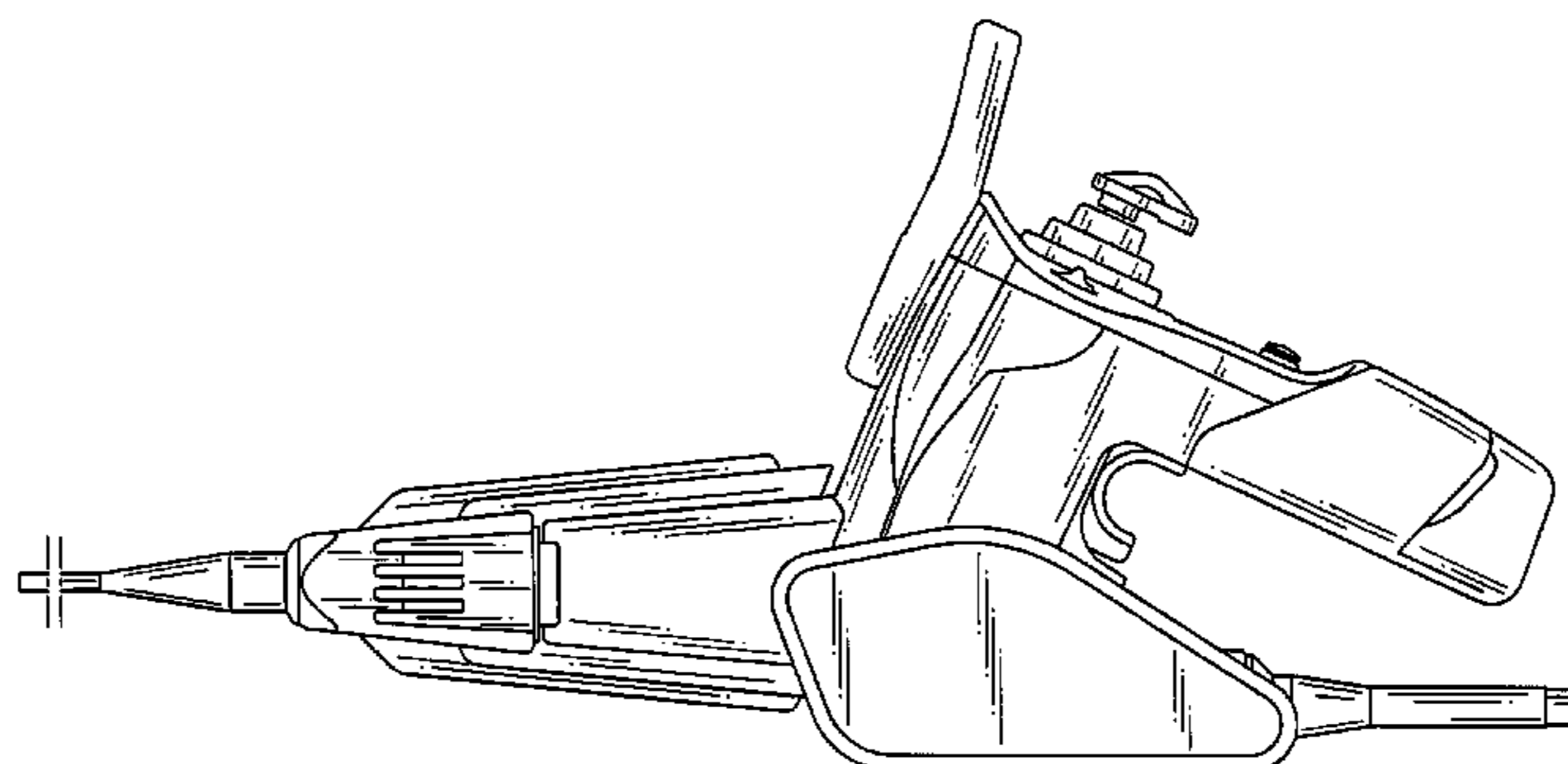
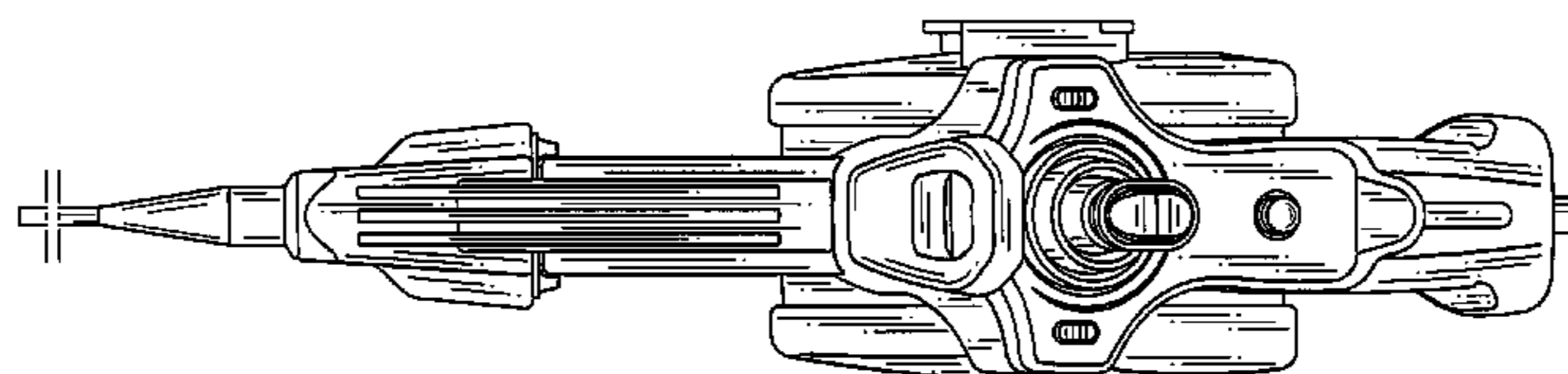


FIG.1

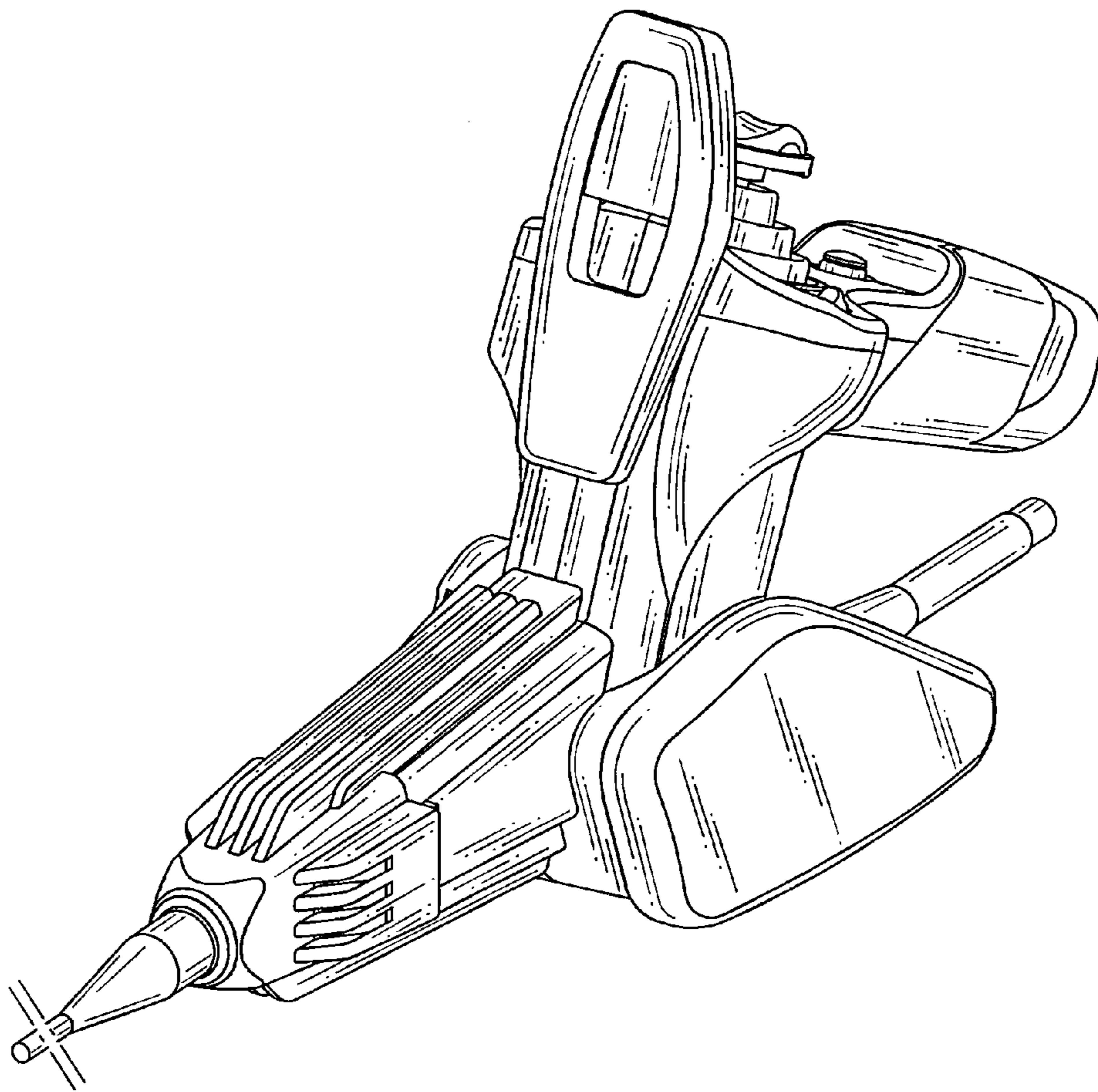


FIG.2

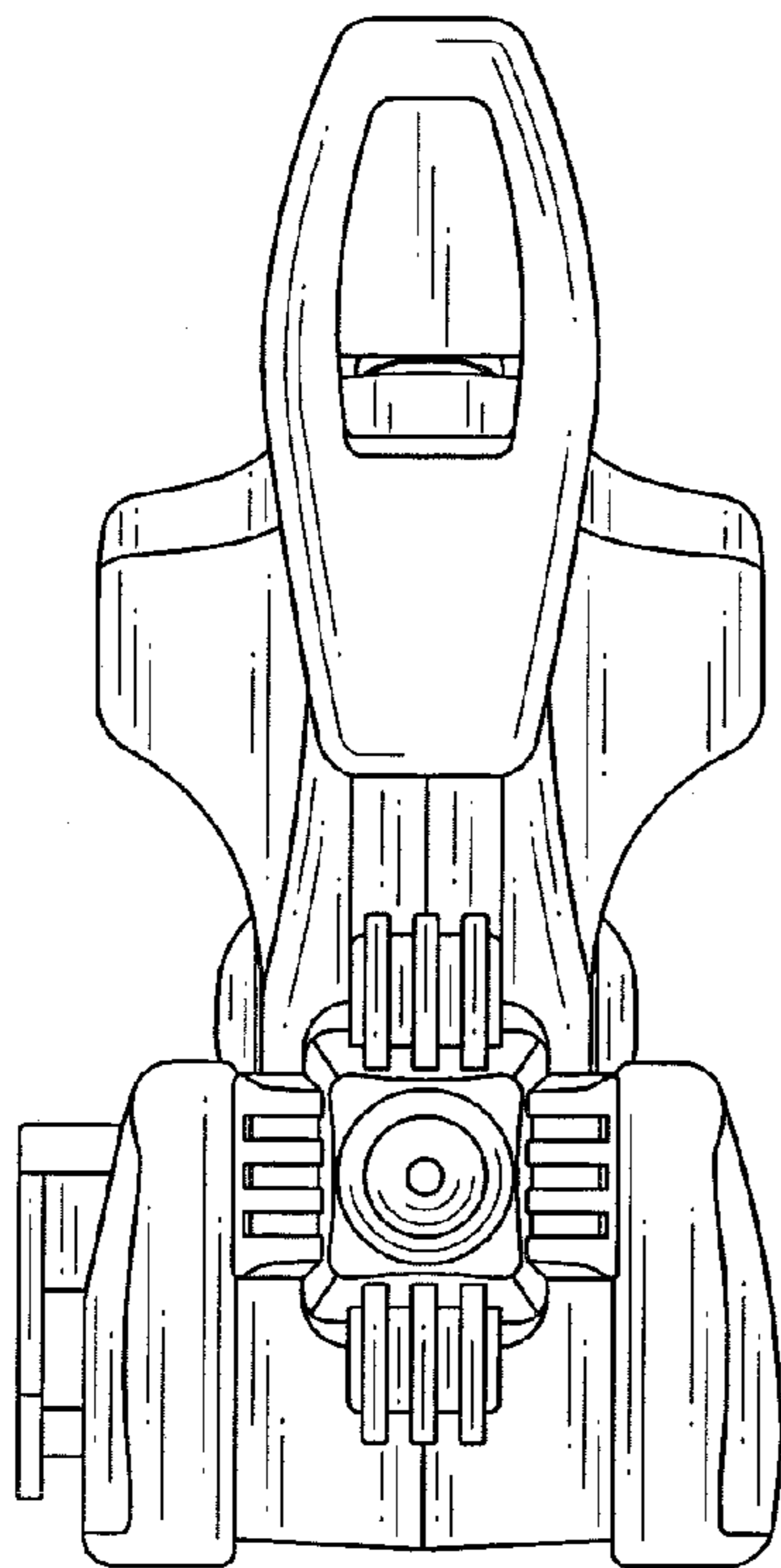


FIG.3

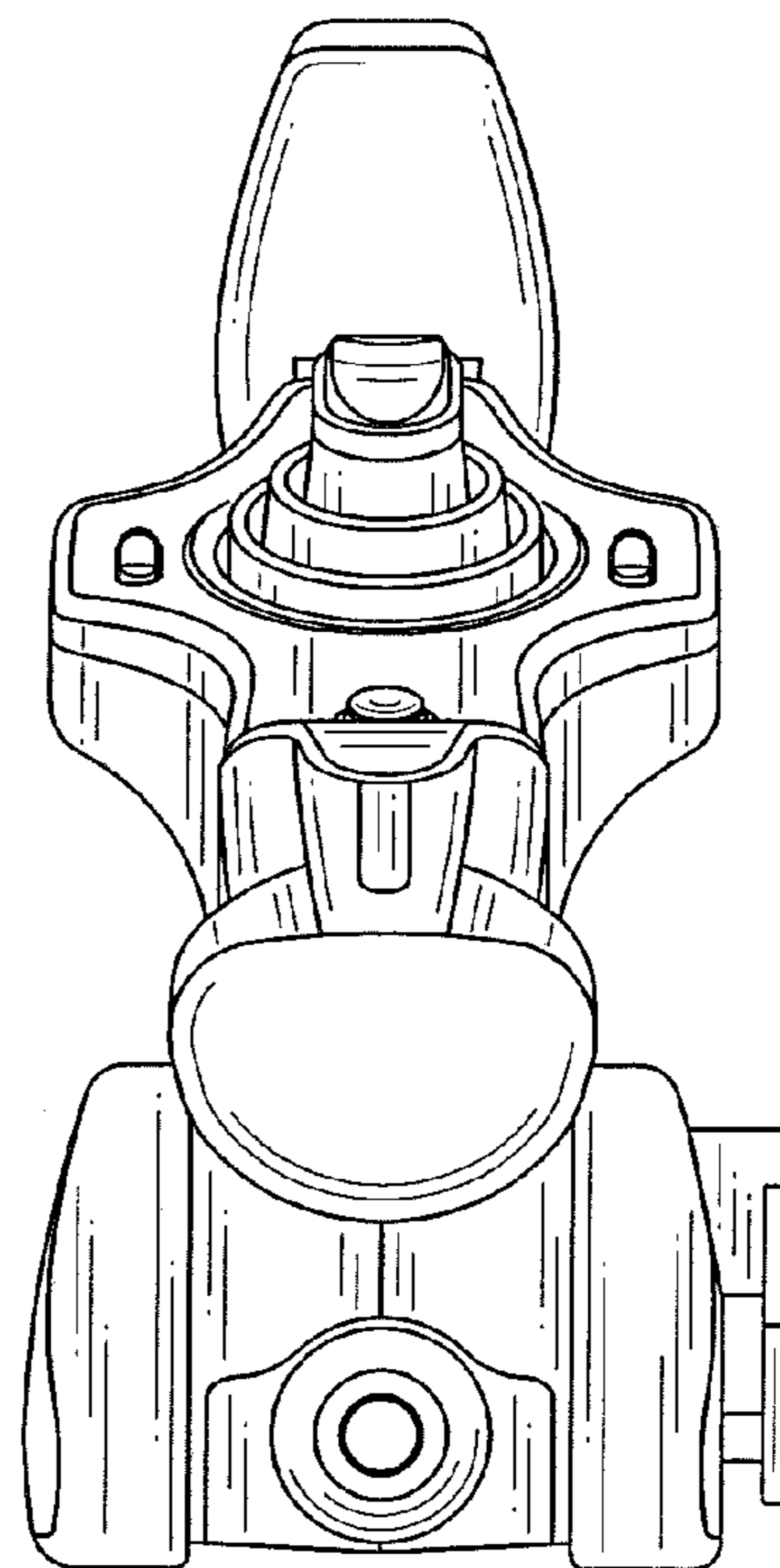


FIG.4

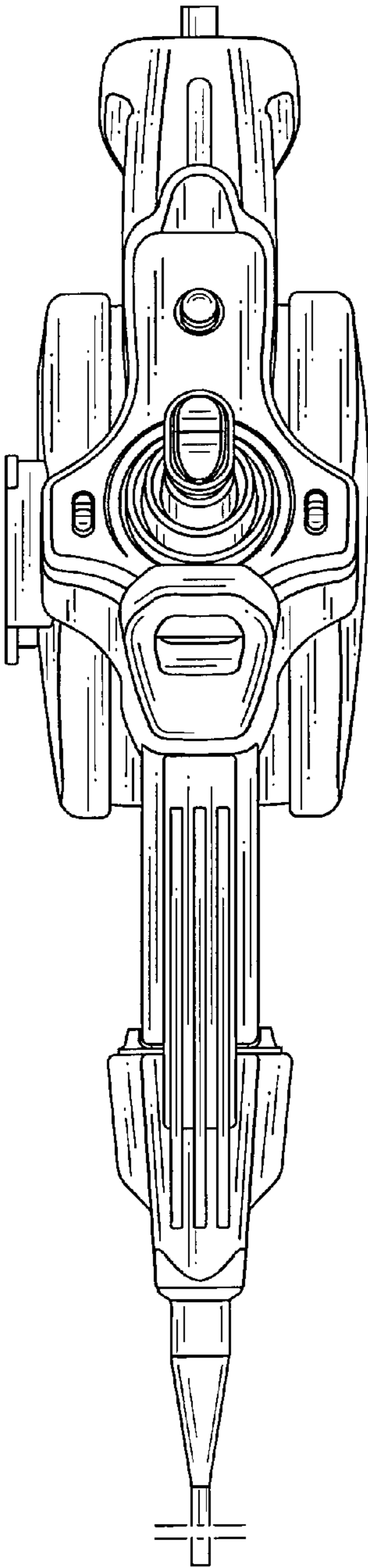


FIG.5

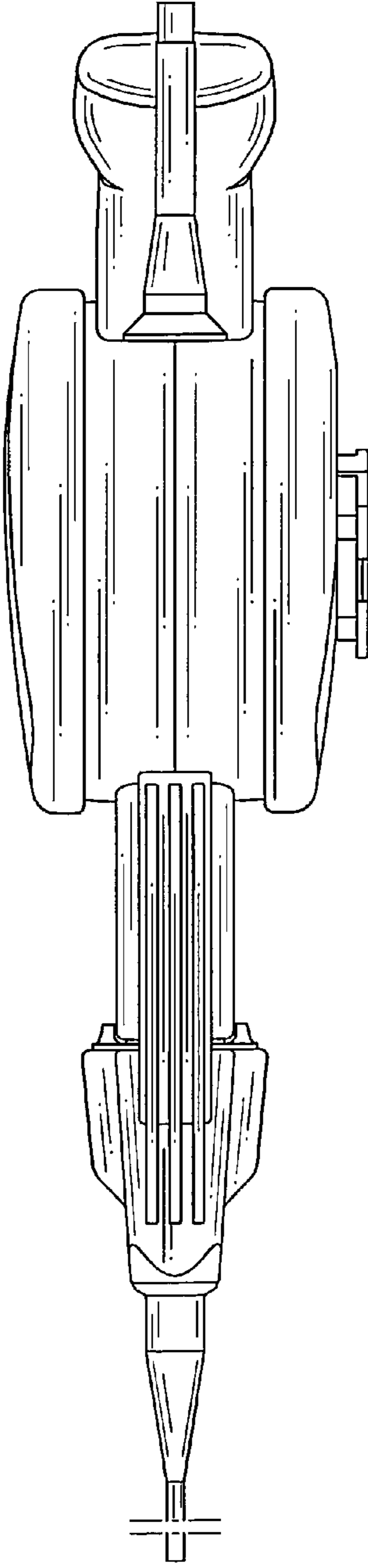


FIG.6

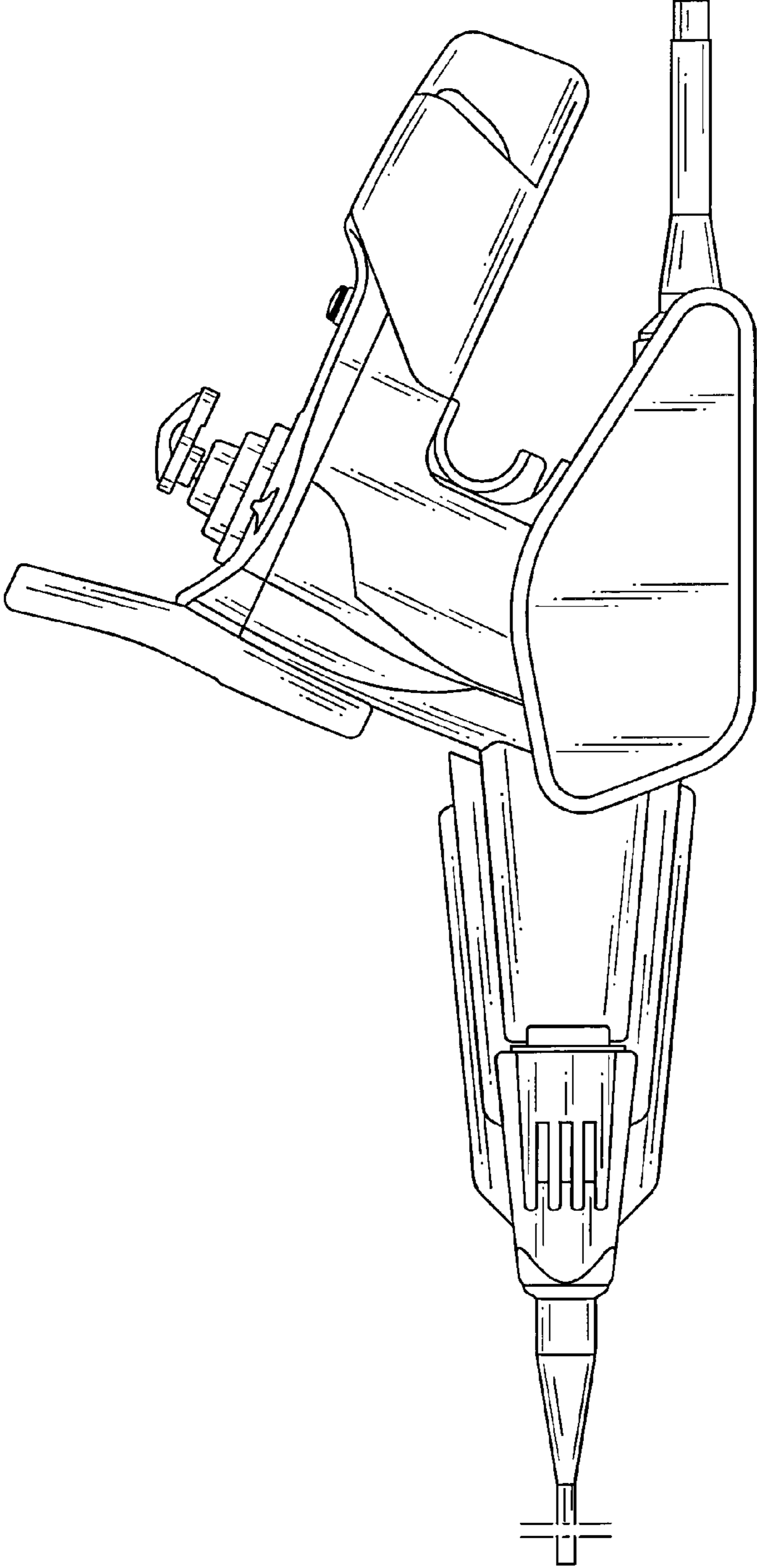


FIG.7

