



US00D723682S

(12) **United States Design Patent**
Kleiner et al.

(10) **Patent No.:** **US D723,682 S**
(45) **Date of Patent:** **** Mar. 3, 2015**

(54) **BONE GRAFT DELIVERY TOOL**

FOREIGN PATENT DOCUMENTS

(71) Applicant: **Spinal Surgical Strategies, LLC**,
Denver, CO (US)

WO WO 99/08627 2/1999
WO WO 2005/037149 4/2005

(72) Inventors: **Jeffrey B. Kleiner**, Denver, CO (US);
Edward John Grimberg, Jr., Golden,
CO (US)

OTHER PUBLICATIONS

Ehrenberg, "The 3-D Printing Revolution," Science News, Mar. 9,
2013, pp. 20-25.

(73) Assignee: **Spinal Surgical Strategies, LLC**,
Denver, CO (US)

(Continued)

(**) Term: **14 Years**

Primary Examiner — Bridget L Eland

(74) *Attorney, Agent, or Firm* — Sheridan Ross P.C.

(21) Appl. No.: **29/453,829**

(22) Filed: **May 3, 2013**

(51) **LOC (10) Cl.** **24-02**

(52) **U.S. Cl.**
USPC **D24/133**

(58) **Field of Classification Search**
CPC .. A61F 2/4601; A61B 17/1635; A61B 17/70;
A61B 17/7095; A61B 17/80; A61B 17/885;
A61B 17/8802
USPC D24/133, 135, 140, 144, 145, 146
See application file for complete search history.

(57) **CLAIM**

The ornamental design for a bone graft delivery tool, as
shown and described.

DESCRIPTION

FIG. 1 is a front perspective view of the bone graft delivery
tool;
FIG. 2 is a front perspective exploded view thereof;
FIG. 3 is a top plan view thereof;
FIG. 4 is a front elevation view thereof;
FIG. 5 is a right elevation view thereof;
FIG. 6 is a bottom plan view thereof;
FIG. 7 is a rear elevation view thereof;
FIG. 8 is a left elevation view thereof;
FIG. 9 is a detailed view of a portion of the bone graft delivery
tool of FIG. 1; and,
FIG. 10 is a cross-sectional view of Section A-A of FIG. 9.
The evenly spaced broken lines shown in the views are
included for the purpose of illustrating portions of the bone
graft delivery tool that form no part of the claimed design. The
dot dash lines shown in the views are included for the purpose
of identifying enlarged view sections and the exploded view
order. The dot dash lines form no part of the claimed design.

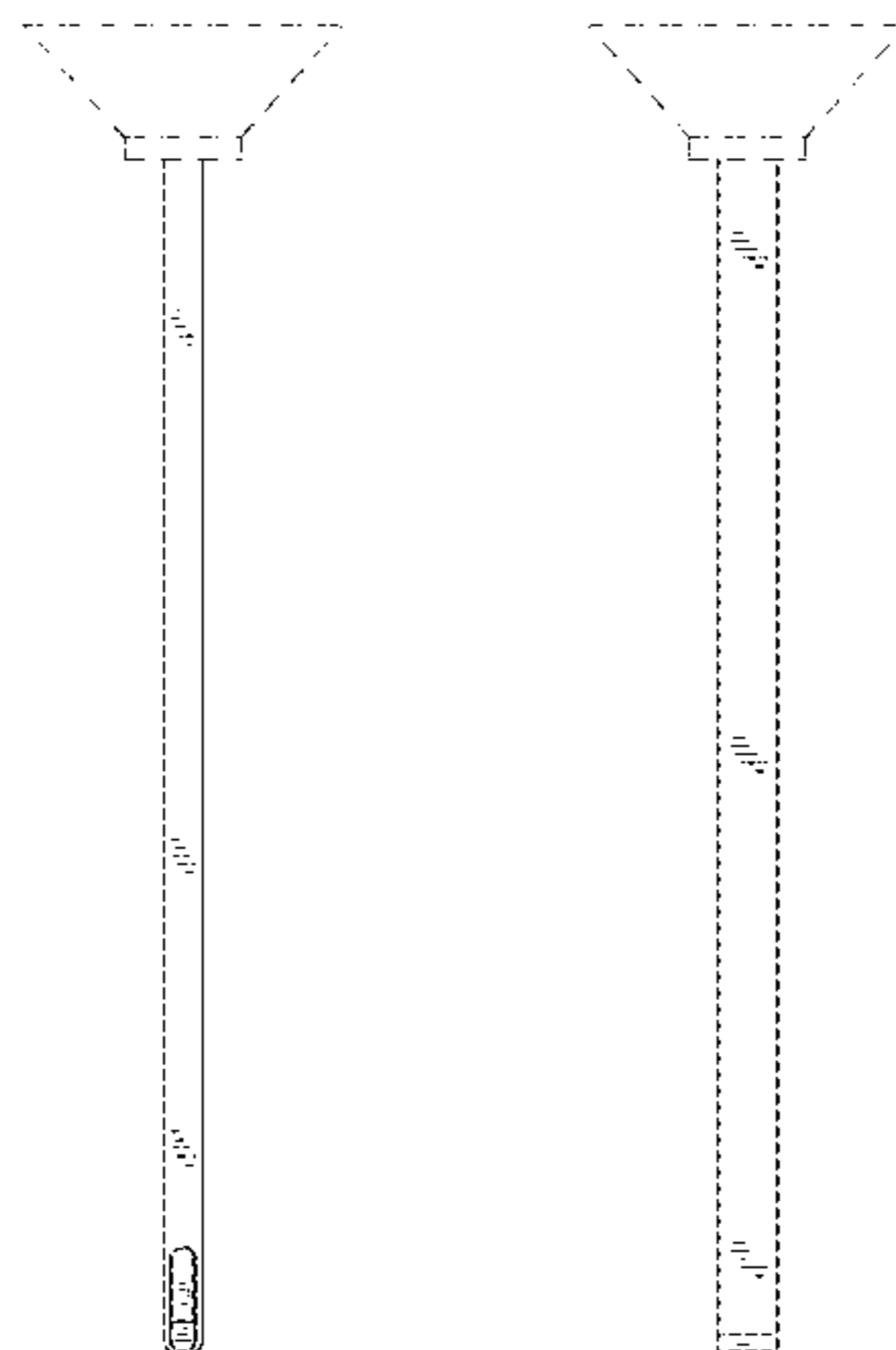
(56) **References Cited**

U.S. PATENT DOCUMENTS

D30,951 S	6/1899	Saint Cyr, Jr.
1,867,624 A	7/1932	Hoffman
2,520,464 A	8/1950	Hubner
3,697,011 A	10/1972	Christensen et al.
3,741,496 A	6/1973	Beller
3,836,092 A	9/1974	Hull
3,855,638 A	12/1974	Pilliar
4,039,156 A	8/1977	Abraham
4,041,939 A	8/1977	Hall
4,047,524 A	9/1977	Hall
4,206,516 A	6/1980	Pilliar
4,277,184 A	7/1981	Solomon
4,430,062 A	2/1984	Henrichsen et al.

(Continued)

1 Claim, 5 Drawing Sheets



(56)

References Cited

U.S. PATENT DOCUMENTS

4,462,402	A	7/1984	Burgio et al.	5,944,686	A	8/1999	Patterson et al.
4,467,478	A	8/1984	Jurgutis	5,947,972	A	9/1999	Gage et al.
4,501,269	A	2/1985	Bagby	5,976,146	A	11/1999	Ogawa et al.
4,522,270	A	6/1985	Kishi	5,989,257	A	11/1999	Tidwell et al.
4,570,623	A	2/1986	Ellison et al.	5,997,895	A	12/1999	Narotam et al.
4,580,978	A	4/1986	Motola et al.	6,004,191	A	12/1999	Schur et al.
4,592,346	A	6/1986	Jurgutis	6,004,326	A	12/1999	Castro et al.
4,743,256	A	5/1988	Brantigan	6,013,028	A	1/2000	Jho et al.
4,877,399	A	10/1989	Frank et al.	6,019,765	A	2/2000	Thornhill et al.
4,925,924	A	5/1990	Silver et al.	6,030,356	A	2/2000	Carlson et al.
D309,499	S *	7/1990	Bowman et al. D24/133	6,030,388	A	2/2000	Yoshimi et al.
D312,309	S *	11/1990	Michelson D24/133	6,030,390	A	2/2000	Mehdizadeh
4,991,570	A	2/1991	Bullard	6,030,401	A	2/2000	Marino
5,037,422	A	8/1991	Hayhurst	6,033,408	A	3/2000	Gage et al.
5,053,038	A	10/1991	Sheehan	6,033,438	A	3/2000	Bianchi et al.
5,055,104	A	10/1991	Ray	6,045,555	A	4/2000	Smith et al.
5,058,823	A	10/1991	Emura et al.	6,059,829	A	5/2000	Schlapfer et al.
5,282,744	A	2/1994	Meyer	6,090,143	A	7/2000	Meriwether et al.
5,290,295	A	3/1994	Querals et al.	6,096,080	A	8/2000	Nicholson et al.
5,311,640	A	5/1994	Holland	6,113,602	A	9/2000	Sand
5,312,407	A	5/1994	Carter	6,120,503	A	9/2000	Michelson
5,312,417	A	5/1994	Wilk	6,123,705	A	9/2000	Michelson
5,324,307	A	6/1994	Jarrett et al.	6,136,001	A	10/2000	Michelson
5,329,834	A	7/1994	Wong	6,142,998	A	11/2000	Smith et al.
5,333,812	A	8/1994	Sato	6,146,420	A	11/2000	McKay
D351,022	S	9/1994	Saito	6,149,096	A	11/2000	Hartley
5,354,292	A	10/1994	Braeuer et al.	6,152,871	A	11/2000	Foley et al.
5,395,372	A	3/1995	Holt et al.	6,159,211	A	12/2000	Boriani et al.
D360,689	S	7/1995	Giampapa	6,159,245	A	12/2000	Meriwether et al.
5,431,658	A	7/1995	Moskovich	6,180,085	B1	1/2001	Achilefu
D364,462	S	11/1995	Michelson	6,209,886	B1	4/2001	Estes et al.
5,520,611	A	5/1996	Rao et al.	6,216,573	B1	4/2001	Moutafis et al.
D370,531	S	6/1996	Ash et al.	6,224,599	B1	5/2001	Baynham et al.
5,527,312	A	6/1996	Ray	6,235,805	B1	5/2001	Chang et al.
D372,311	S	7/1996	Koros et al.	6,238,397	B1	5/2001	Zucherman et al.
D372,781	S	8/1996	Reif	6,241,733	B1	6/2001	Nicholson et al.
5,549,607	A	8/1996	Olson et al.	6,241,769	B1	6/2001	Nicholson et al.
5,554,191	A	9/1996	Lahille et al.	6,245,108	B1	6/2001	Biscup
5,558,674	A	9/1996	Heggeness et al.	6,258,094	B1	7/2001	Nicholson et al.
D374,283	S	10/1996	Michelson	6,261,293	B1	7/2001	Nicholson et al.
5,562,661	A	10/1996	Yoshimi et al.	6,261,295	B1	7/2001	Nicholson et al.
5,569,246	A	10/1996	Ojima et al.	6,261,296	B1	7/2001	Aebi et al.
5,586,989	A	12/1996	Bray	6,290,724	B1	9/2001	Marino
5,595,563	A	1/1997	Moison	6,299,613	B1	10/2001	Ogilvie et al.
5,601,557	A	2/1997	Hayhurst	6,309,395	B1	10/2001	Smith et al.
D378,409	S	3/1997	Michelson	6,325,805	B1	12/2001	Ogilvie et al.
5,611,800	A	3/1997	Davis et al.	6,328,738	B1	12/2001	Suddaby
5,634,925	A	6/1997	Urbanski	6,336,928	B1	1/2002	Guerin et al.
5,653,763	A	8/1997	Errico et al.	6,342,074	B1	1/2002	Simpson
5,662,655	A	9/1997	Laboureau et al.	6,364,880	B1	4/2002	Michelson
5,665,122	A	9/1997	Kambin	6,375,635	B1	4/2002	Moutafis et al.
5,683,464	A	11/1997	Wagner et al.	6,387,096	B1	5/2002	Hyde, Jr.
5,688,285	A	11/1997	Yamada	6,409,765	B1	6/2002	Bianchi et al.
5,697,932	A	12/1997	Smith et al.	6,436,101	B1	8/2002	Hamada
5,702,449	A	12/1997	McKay	6,451,017	B1	9/2002	Moutafis et al.
5,704,892	A	1/1998	Adair	6,454,806	B1	9/2002	Cohen et al.
5,741,253	A	4/1998	Michelson	6,467,556	B2	10/2002	Alsrue
5,762,629	A	6/1998	Kambin	D467,657	S	12/2002	Scribner
5,779,642	A	7/1998	Nightengale	6,500,206	B1	12/2002	Bryan
5,782,919	A	7/1998	Zdeblick et al.	6,511,493	B1	1/2003	Moutafis et al.
5,797,918	A	8/1998	McGuire et al.	D469,871	S	2/2003	Sand
5,836,948	A	11/1998	Zucherman et al.	6,520,976	B1	2/2003	Gage
5,836,958	A	11/1998	Ralph	6,524,318	B1	2/2003	Longhini et al.
5,860,973	A	1/1999	Michelson	6,565,574	B2	5/2003	Michelson
5,860,977	A	1/1999	Zucherman et al.	6,569,201	B2	5/2003	Moumene et al.
5,865,746	A	2/1999	Murugesan et al.	6,613,091	B1	9/2003	Zdeblick et al.
5,865,846	A	2/1999	Bryan et al.	6,616,669	B2	9/2003	Ogilvie et al.
5,871,462	A	2/1999	Yoder et al.	6,620,356	B1	9/2003	Wong et al.
5,888,228	A	3/1999	Knothe et al.	6,641,613	B2	11/2003	Sennett
5,904,689	A	5/1999	Jonjic	6,648,915	B2	11/2003	Sazy
5,904,718	A	5/1999	Jefferies	6,652,533	B2	11/2003	O'Neil
5,906,616	A	5/1999	Pavlov et al.	6,669,710	B2	12/2003	Moutafis et al.
5,925,051	A	7/1999	Mikhail	6,673,113	B2	1/2004	Ralph et al.
5,925,056	A	7/1999	Thomas et al.	6,679,887	B2	1/2004	Nicholson et al.
5,944,658	A	8/1999	Koros et al.	6,695,882	B2	2/2004	Bianchi et al.
				6,699,288	B2	3/2004	Moret
				6,709,438	B2	3/2004	Dixon et al.
				6,719,760	B2	4/2004	Dorchak et al.
				6,719,795	B1	4/2004	Cornwall et al.

(56)

References Cited

U.S. PATENT DOCUMENTS

6,730,125	B1	5/2004	Lin	7,481,766	B2	1/2009	Lee et al.
6,743,257	B2	6/2004	Castro	7,481,813	B1	1/2009	Purcell
6,746,487	B2	6/2004	Scifert et al.	7,485,145	B2	2/2009	Purcell
6,764,491	B2	7/2004	Frey et al.	D589,626	S	3/2009	Petersen
6,773,437	B2	8/2004	Ogilvie et al.	7,501,073	B2	3/2009	Wen et al.
6,800,093	B2	10/2004	Nicholson et al.	7,503,933	B2	3/2009	Michelson
6,824,565	B2	11/2004	Muhanna et al.	7,503,934	B2	3/2009	Eisermann et al.
6,830,574	B2	12/2004	Heckele et al.	7,503,936	B2	3/2009	Trieu
6,852,126	B2	2/2005	Ahlgren	D590,943	S	4/2009	Petersen
6,890,728	B2	5/2005	Dolecek et al.	D590,945	S	4/2009	Berberich
6,899,712	B2	5/2005	Moutafis et al.	7,513,901	B2	4/2009	Scifert et al.
6,923,792	B2	8/2005	Staid et al.	D593,202	S	5/2009	Petersen
6,929,646	B2	8/2005	Gambale	7,531,003	B2	5/2009	Reindel
6,942,665	B2	9/2005	Gambale	7,534,265	B1	5/2009	Boyd
6,960,182	B2	11/2005	Moutafis et al.	7,534,270	B2	5/2009	Ball
6,962,592	B2	11/2005	Gatturna et al.	D594,119	S	6/2009	Berberich et al.
6,969,523	B1	11/2005	Mattern et al.	7,553,320	B2	6/2009	Molz, IV et al.
6,974,480	B2	12/2005	Messerli et al.	D597,669	S	8/2009	Petersen
6,991,653	B2	1/2006	White et al.	D598,096	S	8/2009	Petersen
6,994,728	B2	2/2006	Zubok et al.	D599,015	S	8/2009	Petersen
7,004,946	B2	2/2006	Parker et al.	7,578,820	B2	8/2009	Moore et al.
7,008,431	B2	3/2006	Simonson	D600,806	S	9/2009	Horton et al.
7,014,640	B2	3/2006	Kemppainen et al.	D601,251	S	9/2009	Horton et al.
7,025,742	B2	4/2006	Rubenstein et al.	7,582,058	B1	9/2009	Miles et al.
7,025,769	B1	4/2006	Ferree	7,582,107	B2	9/2009	Trail et al.
7,033,317	B2	4/2006	Pruitt	7,595,043	B2	9/2009	Hedrick et al.
7,041,136	B2	5/2006	Goble et al.	D603,502	S	11/2009	Petersen
7,066,961	B2	6/2006	Michelson	7,615,078	B2	11/2009	White et al.
7,077,864	B2	7/2006	Byrd, III et al.	7,618,423	B1	11/2009	Valentine et al.
7,094,257	B2	8/2006	Mujwid et al.	7,625,374	B2	12/2009	Branch et al.
7,122,017	B2	10/2006	Moutafis et al.	7,632,276	B2	12/2009	Fishbein
7,128,760	B2	10/2006	Michelson	D608,001	S	1/2010	Reardon et al.
7,135,043	B2	11/2006	Nakahara et al.	7,655,027	B2	2/2010	Michelson
7,182,782	B2	2/2007	Kirschman	7,658,766	B2	2/2010	Melkent et al.
7,204,825	B2	4/2007	Cimino et al.	7,671,014	B2	3/2010	Beals et al.
7,207,992	B2	4/2007	Ritland	7,674,297	B2	3/2010	Falahee
7,211,112	B2	5/2007	Baynham et al.	7,677,418	B2	3/2010	Henniges et al.
7,214,186	B2	5/2007	Ritland	7,686,805	B2	3/2010	Michelson
7,223,292	B2	5/2007	Messerli et al.	7,691,133	B2	4/2010	Partin et al.
7,232,463	B2	6/2007	Falahee	7,693,562	B2	4/2010	Marino et al.
7,238,203	B2	7/2007	Bagga et al.	7,699,852	B2	4/2010	Frankel et al.
7,255,703	B2	8/2007	Mujwid et al.	7,708,761	B2	5/2010	Petersen
7,267,691	B2	9/2007	Keller et al.	7,717,685	B2	5/2010	Moutafis et al.
7,273,498	B2	9/2007	Bianchi et al.	7,722,530	B2	5/2010	Davison
7,288,093	B2	10/2007	Michelson	7,722,613	B2	5/2010	Sutterlin et al.
7,316,070	B2	1/2008	Green	7,723,291	B2	5/2010	Beals et al.
7,329,283	B2	2/2008	Estes et al.	7,728,868	B2	6/2010	Razzaque et al.
7,337,538	B2	3/2008	Moutafis et al.	7,730,563	B1	6/2010	Sklar et al.
7,341,590	B2	3/2008	Ferree	7,734,327	B2	6/2010	Colquhoun
7,341,591	B2	3/2008	Grinberg	7,740,634	B2	6/2010	Orbay et al.
7,357,284	B2	4/2008	Jauvin	7,740,661	B2	6/2010	Baratz et al.
7,357,804	B2	4/2008	Binder, Jr. et al.	7,744,555	B2	6/2010	DiMauro et al.
7,361,178	B2	4/2008	Hearn et al.	7,744,637	B2	6/2010	Johnson et al.
7,364,657	B2	4/2008	Mandrusov et al.	7,744,973	B2	6/2010	Schoenle et al.
7,371,239	B2	5/2008	Dec et al.	D620,108	S	7/2010	Eitenmueller et al.
7,377,923	B2	5/2008	Purcell et al.	7,749,231	B2	7/2010	Bonvallet et al.
7,387,643	B2	6/2008	Michelson	7,749,253	B2	7/2010	Zucherman et al.
7,399,041	B2	7/2008	Prentner et al.	7,749,269	B2	7/2010	Peterman et al.
D574,495	S	8/2008	Petersen	7,749,273	B2	7/2010	Cauthen et al.
7,406,775	B2	8/2008	Funk et al.	7,749,274	B2	7/2010	Razian
7,410,334	B2	8/2008	McGrew	7,749,276	B2	7/2010	Fitz
7,410,478	B2	8/2008	Yang	7,749,279	B2	7/2010	Twomey et al.
7,413,065	B2	8/2008	Gauthier	7,749,555	B2	7/2010	Zanella
7,421,772	B2	9/2008	Gao et al.	7,751,865	B2	7/2010	Jascob et al.
7,429,270	B2	9/2008	Baumgartner et al.	7,753,911	B2	7/2010	Ray et al.
D579,562	S	10/2008	Anderson et al.	7,753,914	B2	7/2010	Ruhling et al.
7,430,945	B2	10/2008	Gauthier et al.	7,753,938	B2	7/2010	Aschmann et al.
7,431,711	B2	10/2008	Moutafis et al.	7,753,940	B2	7/2010	Veldman et al.
7,442,208	B2	10/2008	Mathieu et al.	7,753,962	B2	7/2010	Melder
7,455,157	B2	11/2008	Kimes et al.	7,758,501	B2	7/2010	Frasier et al.
D582,552	S	12/2008	Berberich	7,758,616	B2	7/2010	LeHuec et al.
7,461,803	B2	12/2008	Boerner	7,758,617	B2	7/2010	Iott et al.
7,473,255	B2	1/2009	McGarity et al.	7,758,644	B2	7/2010	Trieu
7,476,226	B2	1/2009	Weikel et al.	7,758,648	B2	7/2010	Castleman et al.
7,478,577	B1	1/2009	Wheeler	7,763,025	B2	7/2010	Assell et al.
				7,763,035	B2	7/2010	Melkent et al.
				7,763,055	B2	7/2010	Foley
				7,763,078	B2	7/2010	Peterman et al.
				7,763,080	B2	7/2010	Southworth

(56)

References Cited

U.S. PATENT DOCUMENTS

D621,509 S	8/2010	Lovell	7,985,256 B2	7/2011	Grotz et al.
D622,395 S	8/2010	Iott et al.	D643,921 S	8/2011	Davila
D622,843 S	8/2010	Horton	D647,202 S	10/2011	Scifert
D622,851 S	8/2010	Horton	8,080,521 B2	12/2011	Beals et al.
7,766,914 B2	8/2010	McCormack et al.	8,088,163 B1	1/2012	Kleiner
7,766,918 B2	8/2010	Allard et al.	D655,414 S	3/2012	Cuschieri et al.
7,766,930 B2	8/2010	DiPoto et al.	D656,610 S	3/2012	Kleiner
7,766,940 B2	8/2010	Kwak et al.	8,148,326 B2	4/2012	Beals et al.
7,766,967 B2	8/2010	Francis	D660,428 S	5/2012	Hohl
7,766,969 B2	8/2010	Justin et al.	8,198,238 B2	6/2012	Beals et al.
7,769,422 B2	8/2010	DiSilvestro et al.	8,246,572 B2	8/2012	Cantor et al.
7,771,143 B2	8/2010	Bharadwaj et al.	D667,542 S	9/2012	Kleiner
7,771,475 B2	8/2010	Michelson	8,277,510 B2	10/2012	Kleiner
7,771,476 B2	8/2010	Justis et al.	8,292,960 B2	10/2012	Kleiner
7,771,479 B2	8/2010	Humphreys et al.	8,293,232 B2	10/2012	Beals et al.
7,776,040 B2	8/2010	Markworth et al.	8,366,748 B2	2/2013	Kleiner
7,776,046 B2	8/2010	Boyd et al.	D692,133 S	10/2013	Steinwachs et al.
7,776,047 B2	8/2010	Fanger et al.	8,685,031 B2 *	4/2014	Kleiner et al. 606/93
7,776,049 B1	8/2010	Curran et al.	8,709,088 B2 *	4/2014	Kleiner et al. 623/17.16
7,776,075 B2	8/2010	Bruneau et al.	2002/0049448 A1	4/2002	Sand et al.
7,776,090 B2	8/2010	Winslow et al.	2002/0058947 A1	5/2002	Hochschuler et al.
7,776,091 B2	8/2010	Mastrorio et al.	2003/0083748 A1	5/2003	Lee et al.
7,776,094 B2	8/2010	McKinley et al.	2003/0149482 A1	8/2003	Michelson
7,776,095 B2	8/2010	Peterman et al.	2003/0171812 A1	9/2003	Grunberg et al.
7,776,594 B2	8/2010	Bays et al.	2003/0229358 A1	12/2003	Errico et al.
7,780,707 B2	8/2010	Johnson et al.	2004/0002713 A1	1/2004	Olson et al.
7,794,396 B2	9/2010	Gattani et al.	2004/0024466 A1	2/2004	Heerklotz et al.
7,794,501 B2	9/2010	Edie et al.	2004/0073314 A1	4/2004	White et al.
7,799,034 B2	9/2010	Johnson et al.	2004/0087956 A1	5/2004	Weikel et al.
7,799,036 B2	9/2010	Davison et al.	2004/0133217 A1	7/2004	Watschke
7,799,053 B2	9/2010	Haid et al.	2004/0143330 A1	7/2004	Sazy
7,799,054 B2	9/2010	Kwak et al.	2004/0148027 A1	7/2004	Errico et al.
7,799,055 B2	9/2010	Lim	2004/0153158 A1	8/2004	Errico et al.
7,799,056 B2	9/2010	Sankaran	2004/0167532 A1	8/2004	Olson, Jr. et al.
7,799,076 B2	9/2010	Sybert et al.	2004/0176853 A1	9/2004	Sennett et al.
7,799,078 B2	9/2010	Embry et al.	2004/0215201 A1	10/2004	Lieberman
7,799,083 B2	9/2010	Smith et al.	2004/0230211 A1	11/2004	Moutafis et al.
7,806,901 B2	10/2010	Stad et al.	2005/0112091 A1	5/2005	DiMauro et al.
7,811,327 B2	10/2010	Hansell et al.	2005/0124993 A1	6/2005	Chappuis
7,811,329 B2	10/2010	Ankney et al.	2005/0124994 A1	6/2005	Berger et al.
7,815,681 B2	10/2010	Ferguson	2005/0149035 A1	7/2005	Pimenta et al.
7,819,801 B2	10/2010	Miles et al.	2005/0149192 A1	7/2005	Zucherman et al.
D627,460 S	11/2010	Horton	2005/0159765 A1	7/2005	Moutafis et al.
7,824,328 B2	11/2010	Gattani et al.	2005/0165405 A1	7/2005	Tsou
7,824,332 B2	11/2010	Fakhrai	2005/0216002 A1	9/2005	Simonson
7,824,410 B2	11/2010	Simonson	2005/0216018 A1	9/2005	Sennett
7,824,703 B2	11/2010	Scifert et al.	2005/0251146 A1 *	11/2005	Martz et al. 606/84
7,828,804 B2	11/2010	Li et al.	2005/0251257 A1	11/2005	Mitchell et al.
7,828,845 B2	11/2010	Estes et al.	2005/0261781 A1	11/2005	Sennett et al.
7,828,849 B2	11/2010	Lim	2005/0283150 A1	12/2005	Moutafis et al.
7,837,713 B2	11/2010	Petersen	2006/0004167 A1	1/2006	Alamin et al.
7,837,732 B2	11/2010	Zucherman et al.	2006/0004367 A1	1/2006	Alamin et al.
D628,694 S	12/2010	Donnez	2006/0015184 A1	1/2006	Winterbottom et al.
D629,896 S	12/2010	Horton	2006/0058585 A1 *	3/2006	Oberlaender et al. 600/210
7,846,210 B2	12/2010	Perez-Cruet et al.	2006/0058807 A1	3/2006	Landry et al.
7,850,733 B2	12/2010	Baynham et al.	2006/0100304 A1	5/2006	Vresilovic et al.
7,850,735 B2	12/2010	Eisermann et al.	2006/0111779 A1	5/2006	Petersen
7,850,736 B2	12/2010	Heinz et al.	2006/0111780 A1	5/2006	Petersen
D631,156 S	1/2011	Halder et al.	2006/0116770 A1	6/2006	White et al.
7,867,277 B1	1/2011	Tohmeh	2006/0122597 A1	6/2006	Jones et al.
7,897,164 B2	3/2011	Scifert	2006/0154366 A1	7/2006	Brown et al.
7,897,564 B2	3/2011	Beals et al.	2006/0155170 A1	7/2006	Hanson et al.
7,905,840 B2	3/2011	Pimenta et al.	2006/0167461 A1	7/2006	Hawkins et al.
7,918,891 B1	4/2011	Curran et al.	2006/0190081 A1	8/2006	Kraus
7,927,361 B2	4/2011	Oliver et al.	2006/0229550 A1	10/2006	Staid et al.
D637,721 S	5/2011	Horton	2006/0247650 A1	11/2006	Yerby et al.
7,935,124 B2	5/2011	Frey et al.	2006/0247791 A1	11/2006	McKay et al.
7,938,857 B2	5/2011	Garcia-Bengochea et al.	2006/0264808 A1	11/2006	Staid et al.
7,939,092 B2	5/2011	McKay et al.	2006/0264964 A1	11/2006	Scifert et al.
7,951,107 B2	5/2011	Staid et al.	2007/0003598 A1	1/2007	Trieu
7,964,208 B2	6/2011	Spagnoli et al.	2007/0043442 A1	2/2007	Abernathie
D641,872 S	7/2011	Solingen et al.	2007/0067034 A1	3/2007	Chirico et al.
D641,873 S	7/2011	Solingen et al.	2007/0073110 A1	3/2007	Larson et al.
D641,874 S	7/2011	Solingen et al.	2007/0073294 A1	3/2007	Chin et al.
D642,268 S	7/2011	Qureshi	2007/0088007 A1	4/2007	Ng
			2007/0093850 A1	4/2007	Harris et al.
			2007/0123985 A1	5/2007	Errico et al.
			2007/0172790 A1	7/2007	Doucette, Jr. et al.
			2007/0185496 A1	8/2007	Beckman et al.

(56)

References Cited

U.S. PATENT DOCUMENTS

2007/0208423	A1	9/2007	Messerli et al.	2010/0030065	A1	2/2010	Farr et al.
2007/0213596	A1	9/2007	Hamada	2010/0036226	A9	2/2010	Marino et al.
2007/0213717	A1	9/2007	Trieu	2010/0036442	A1	2/2010	Laurysse et al.
2007/0213718	A1	9/2007	Trieu	2010/0042221	A1	2/2010	Boyd
2007/0213822	A1	9/2007	Trieu	2010/0057208	A1	3/2010	Dryer
2007/0213826	A1	9/2007	Smith et al.	2010/0063516	A1	3/2010	Parmer et al.
2007/0225219	A1	9/2007	Boden et al.	2010/0063554	A1	3/2010	Branch et al.
2007/0225811	A1	9/2007	Scifert et al.	2010/0076335	A1	3/2010	Gharib et al.
2007/0242869	A1	10/2007	Luo et al.	2010/0076445	A1	3/2010	Pagano
2007/0250166	A1	10/2007	McKay	2010/0076446	A1	3/2010	Gorek
2007/0264300	A1	11/2007	Scifert et al.	2010/0082036	A1	4/2010	Reiley et al.
2007/0265632	A1	11/2007	Scifert et al.	2010/0087828	A1	4/2010	Krueger et al.
2007/0270951	A1	11/2007	Davis et al.	2010/0087875	A1	4/2010	McGahan et al.
2007/0276406	A1	11/2007	Mahoney et al.	2010/0100141	A1	4/2010	de Villiers et al.
2007/0288007	A1	12/2007	Burkus et al.	2010/0105986	A1	4/2010	Miles et al.
2007/0293948	A1	12/2007	Bagga et al.	2010/0105987	A1	4/2010	Miles et al.
2008/0003255	A1	1/2008	Kerr et al.	2010/0112029	A1	5/2010	Scifert
2008/0009929	A1	1/2008	Harris et al.	2010/0121365	A1	5/2010	O'Sullivan et al.
2008/0033440	A1	2/2008	Moskowitz et al.	2010/0121453	A1	5/2010	Peterman
2008/0058606	A1	3/2008	Miles et al.	2010/0125333	A1	5/2010	Zdeblick et al.
2008/0071284	A1	3/2008	Lechmann et al.	2010/0125338	A1	5/2010	Fitz
2008/0086142	A1	4/2008	Kohm et al.	2010/0131020	A1	5/2010	Heinz et al.
2008/0125856	A1	5/2008	Perez-Cruet et al.	2010/0137690	A1	6/2010	Miles et al.
2008/0147191	A1	6/2008	Lopez et al.	2010/0137923	A1	6/2010	Greenhalgh et al.
2008/0154375	A1	6/2008	Serhan et al.	2010/0145390	A1	6/2010	McCarthy et al.
2008/0154377	A1	6/2008	Voellmicke	2010/0145452	A1	6/2010	Blaylock et al.
2008/0154381	A1	6/2008	Parrish	2010/0145461	A1	6/2010	Landry et al.
2008/0172127	A1	7/2008	Perez-Cruet et al.	2010/0160923	A1	6/2010	Sand et al.
2008/0195058	A1	8/2008	Moutafis et al.	2010/0160982	A1	6/2010	Justis et al.
2008/0243126	A1	10/2008	Gutierrez et al.	2010/0161062	A1	6/2010	Foley et al.
2008/0249569	A1	10/2008	Waugh et al.	2010/0161074	A1	6/2010	McKay
2008/0255564	A1	10/2008	Michelson	2010/0168755	A1	7/2010	Reiley et al.
2008/0260598	A1	10/2008	Scifert et al.	2010/0168862	A1	7/2010	Edie et al.
2008/0269904	A1	10/2008	Voorhies	2010/0174326	A1	7/2010	Selover et al.
2008/0288071	A1	11/2008	Biyani et al.	2010/0185286	A1	7/2010	Allard
2008/0300598	A1	12/2008	Barreiro et al.	2010/0185287	A1	7/2010	Allard
2009/0043312	A1	2/2009	Koulisis	2010/0185288	A1	7/2010	Carls
2009/0076440	A1	3/2009	Moutafis et al.	2010/0191334	A1	7/2010	Keller
2009/0076556	A1	3/2009	McGarity et al.	2010/0191337	A1	7/2010	Zamani et al.
2009/0088765	A1	4/2009	Butler et al.	2010/0198140	A1	8/2010	Lawson
2009/0098184	A1	4/2009	Govil et al.	2010/0199483	A1	8/2010	Justis et al.
2009/0099660	A1	4/2009	Scifert et al.	2010/0204798	A1	8/2010	Gerbec et al.
2009/0105718	A1	4/2009	Zhang et al.	2010/0217398	A1	8/2010	Keller
2009/0124860	A1	5/2009	Miles et al.	2010/0222784	A1	9/2010	Schwab et al.
2009/0124980	A1	5/2009	Chen	2010/0222824	A1	9/2010	Simonson
2009/0125066	A1	5/2009	Kraus et al.	2010/0228294	A1	9/2010	LeHuec et al.
2009/0142385	A1	6/2009	Gross et al.	2010/0228351	A1	9/2010	Ankney et al.
2009/0187194	A1	7/2009	Hamada	2010/0234848	A1	9/2010	Sutterlin et al.
2009/0192350	A1	7/2009	Meja	2010/0234957	A1	9/2010	Zdeblick et al.
2009/0192403	A1	7/2009	Gharib et al.	2010/0249934	A1	9/2010	Melkent
2009/0198245	A1	8/2009	Phan	2010/0256767	A1	10/2010	Melkent
2009/0198249	A1	8/2009	Ziegler	2010/0256768	A1	10/2010	Lim et al.
2009/0198337	A1	8/2009	Phan	2010/0262241	A1	10/2010	Eisermann et al.
2009/0198338	A1	8/2009	Phan	2010/0262245	A1	10/2010	Alfaro et al.
2009/0198339	A1	8/2009	Kleiner et al.	2010/0266689	A1	10/2010	Simonton et al.
2009/0203967	A1	8/2009	Branch et al.	2010/0280622	A1	11/2010	McKinley
2009/0204148	A1	8/2009	Lenke	2010/0286778	A1	11/2010	Eisermann et al.
2009/0204159	A1	8/2009	Justis et al.	2010/0286784	A1	11/2010	Curran et al.
2009/0204220	A1	8/2009	Trieu	2010/0298938	A1	11/2010	Humphreys et al.
2009/0222011	A1	9/2009	Lehuc et al.	2010/0305575	A1	12/2010	Wilkinson et al.
2009/0228107	A1	9/2009	Michelson	2010/0312103	A1	12/2010	Gorek et al.
2009/0246244	A1	10/2009	McKay et al.	2010/0312290	A1	12/2010	McKinley et al.
2009/0248163	A1	10/2009	King et al.	2010/0312347	A1	12/2010	Arramon et al.
2009/0259108	A1	10/2009	Miles et al.	2010/0331847	A1	12/2010	Wilkinson et al.
2009/0264892	A1	10/2009	Beyar et al.	2010/0331891	A1*	12/2010	Culbert et al. 606/279
2009/0275995	A1	11/2009	Truckai	2011/0014587	A1	1/2011	Spagnoli et al.
2009/0299477	A1	12/2009	Clayton et al.	2011/0015748	A1	1/2011	Molz, IV
2009/0306692	A1	12/2009	Barrington et al.	2011/0020768	A1	1/2011	Spagnoli et al.
2010/0004752	A1	1/2010	White et al.	2011/0021427	A1	1/2011	Amsden et al.
2010/0010367	A1	1/2010	Foley et al.	2011/0028393	A1	2/2011	Vickers et al.
2010/0010524	A1	1/2010	Barrington et al.	2011/0071536	A1*	3/2011	Kleiner et al. 606/94
2010/0016903	A1	1/2010	Matityahu et al.	2011/0093005	A1	4/2011	Strokosz et al.
2010/0016972	A1	1/2010	Jansen et al.	2011/0106162	A1	5/2011	Ballard et al.
2010/0016973	A1	1/2010	de Villiers et al.	2011/0144755	A1	6/2011	Baynham et al.
2010/0021518	A1	1/2010	Scifert et al.	2011/0160777	A1	6/2011	Spagnoli et al.
				2011/0184412	A1	7/2011	Scifert et al.
				2011/0230970	A1	9/2011	Lynn et al.
				2012/0022651	A1	1/2012	Akyuz et al.
				2012/0035668	A1	2/2012	Manninen et al.

(56)

References Cited

U.S. PATENT DOCUMENTS

2012/0065613	A1	3/2012	Pepper et al.	
2012/0065687	A1	3/2012	Ballard et al.	
2012/0078315	A1	3/2012	Sweeney	
2012/0136442	A1	5/2012	Kleiner	
2012/0259335	A1	10/2012	Scifert et al.	
2013/0073041	A1	3/2013	Scifert et al.	
2013/0096684	A1	4/2013	Kleiner	
2013/0110169	A1	5/2013	Hynes et al.	
2013/0184822	A1*	7/2013	Kleiner	623/17.12
2013/0345710	A1*	12/2013	Kleiner et al.	606/94
2014/0081279	A1*	3/2014	Kleiner et al.	606/94

OTHER PUBLICATIONS

U.S. Appl. No. 13/947,255, filed Jul. 22, 2013, Kleiner.

Official Action for Australian Patent Application No. 2011305680, dated Jan. 31, 2014, 3 pages.

Notice of Allowance for Japanese Patent Application No. 2013-25835, mailed Mar. 28, 2014, 2 pages (includes English translation).

Ray, C., "Facet Joint Disorders and Back Pain," published on Spine-Health, Dec. 10, 2002, available at www.spine-health.com/conditions/arthritis/facet-joint-disorders-and-back-pain, 1 page.

Staehler, R., "Spine Surgery for a Cervical Herniated Disc," published on Spine-Health, Jun. 12, 2002, available at www.spine-health.com/conditions/herniated-disc/spine-surgery-a-cervical-herniated-disc, 2 pages.

U.S. Appl. No. 13/168,611, filed Jun. 24, 2011, Kleiner.

U.S. Appl. No. 29/427,387, filed Jul. 17, 2012, Kleiner.

U.S. Appl. No. 29/433,403, filed Sep. 28, 2012, Kleiner.

U.S. Appl. No. 13/714,971, filed Dec. 14, 2012, Kleiner.

U.S. Appl. No. 13/754,042, filed Jan. 30, 2013, Kleiner.

Staehler, R., "Summary of Cervical Herniated Disc Treatment Options," published on Spine-Health, Jun. 12, 2002, available at www.spine-health.com/conditions/herniated-disc/summary-cervical-herniated-disc-treatment-options, 1 page.

Ullrich, P.F., "Anterior Cervical Spinal Fusion Surgery," published on Spine-Health, Oct. 7, 2005, available at www.spine-health.com/treatment/back-surgery/anterior-cervical-spinal-fusion-surgery, 2 pages.

Ullrich, P.F., "Cervical Spinal Instrumentation," published on Spine-Health, Oct. 7, 2005, available at www.spine-health.com/treatment/back-surgery/cervical-spinal-instrumentation, 2 pages.

Wascher, T.M., "Anterior cervical decompression and spine fusion procedure," published on Spine-Health, Aug. 29, 2001, available at www.spine-health.com/treatment/spinal-fusion/anterior-cervical-decompression-and-spine-fusion-procedure, 2 pages.

"BAK® /Proximity™ (BP®) Cage", Zimmer Website, as early as Oct. 23, 2007, available at <http://www.zimmer.com/z/ctl/op/global/action/1/id/7930/template/MP/prcat/M6/prod/y>, printed on Jun. 8, 2009, 1 page.

"BAK® Vista® Radiolucent Interbody Fusion System", Zimmer Website, as early as Oct. 25, 2005, available at <http://www.zimmerindia.com/z/ctl/op/global/action/1/id/7809/template/MP/prcat/M6/prod/y>, printed on Jun. 8, 2009, pp. 1-2.

"Facet Joint Syndrome," The Cleveland Clinic Foundation, copyright 1995-2008, printed Nov. 19, 2008, available at http://my.clevelandclinic.org/disorders/facet_joint_syndrome/hic_facet_joint_syndrome.aspx, 2 pages.

"Screws, Cages or Both", Spine Universe Website, as early as Aug. 18, 2002, available at <http://www.spineuniverse.com/displayarticle.php/article1363.html>, printed on Jun. 8, 2009, pp. 1-13.

"University of Maryland Spine Program: A Patient's Guide to Anterior Lumbar Interbody Fusion with Intervertebral Cages", University of Maryland Medical Center website, as early as 2003, available at http://www.umm.edu/spinecenter/education/anterior_lumbar_interbody_fusion_with_intervertebral_cages.htm, printed on Jun. 8, 2009, pp. 1-4.

"Vertebral column," from Wikipedia, the free encyclopedia, printed May 19, 2009, retrieved from http://en.wikipedia.org/wiki/Vertebral_column, 6 pages.

"Zygapophysial joint," from Wikipedia, the free encyclopedia, printed May 19, 2009, retrieved from http://en.wikipedia.org/wiki/Zygapophysial_joint, 2 pages.

International Search Report for International (PCT) Patent Application No. PCT/US11/52278, mailed Jan. 18, 2012 2 pages.

Written Opinion for International (PCT) Patent Application No. PCT/US11/52278, mailed Jan. 18, 2012 5 pages.

International Preliminary Report on Patentability for International (PCT) Patent Application No. PCT/US11/52278, mailed Apr. 4, 2013 7 pages.

International Search Report and Written Opinion for International (PCT) Patent Application No. PCT/US2013/023992 mailed Apr. 26, 2013, 8 pages.

International Search Report for International (PCT) Patent Application No. PCT/US2009/033488, mailed. Mar. 25, 2009, 2 pages.

Written Opinion for International (PCT) Patent Application No. PCT/US2009/033488, mailed. Mar. 25, 2009, 9 pages.

Official Action for U.S. Appl. No. 12/886,452, mailed May 9, 2012 19 pages.

Official Action for U.S. Appl. No. 12/886,452, mailed Oct. 16, 2012 15 pages.

Official Action for U.S. Appl. No. 13/367,295, mailed May 2, 2012 16 pages.

Official Action for U.S. Appl. No. 13/367,295, mailed Oct. 15, 2012 14 pages.

* cited by examiner

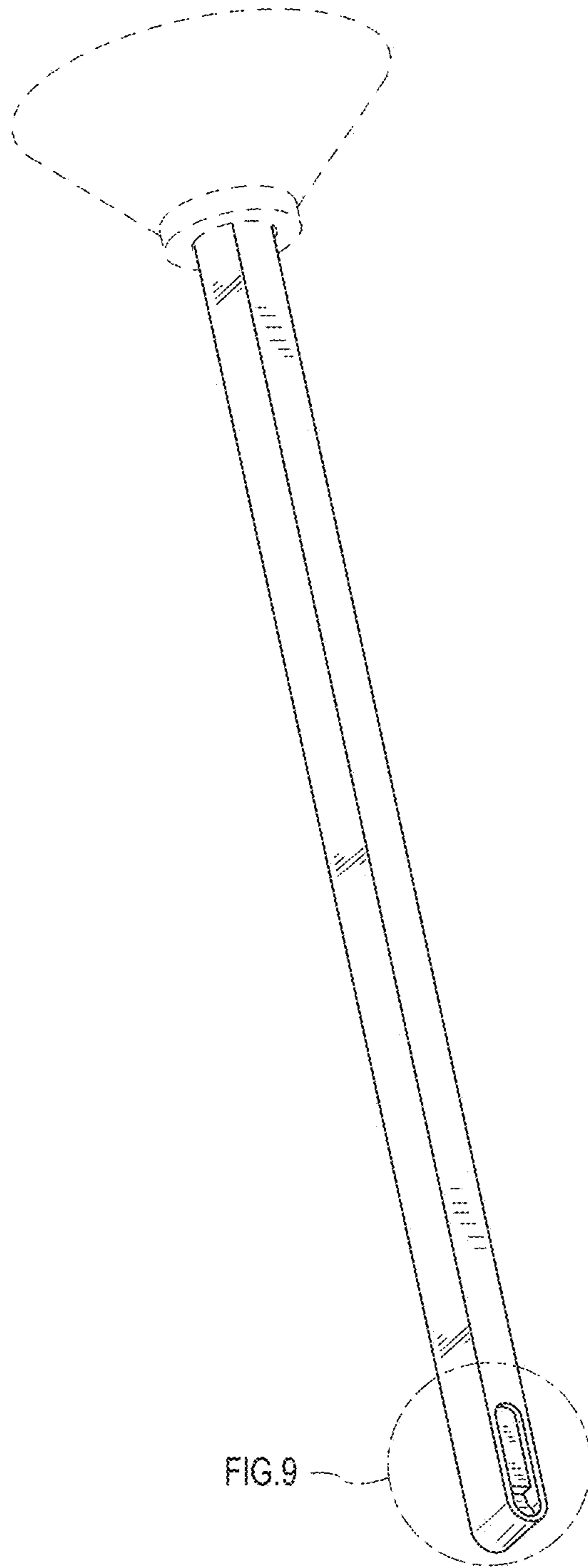


FIG.1

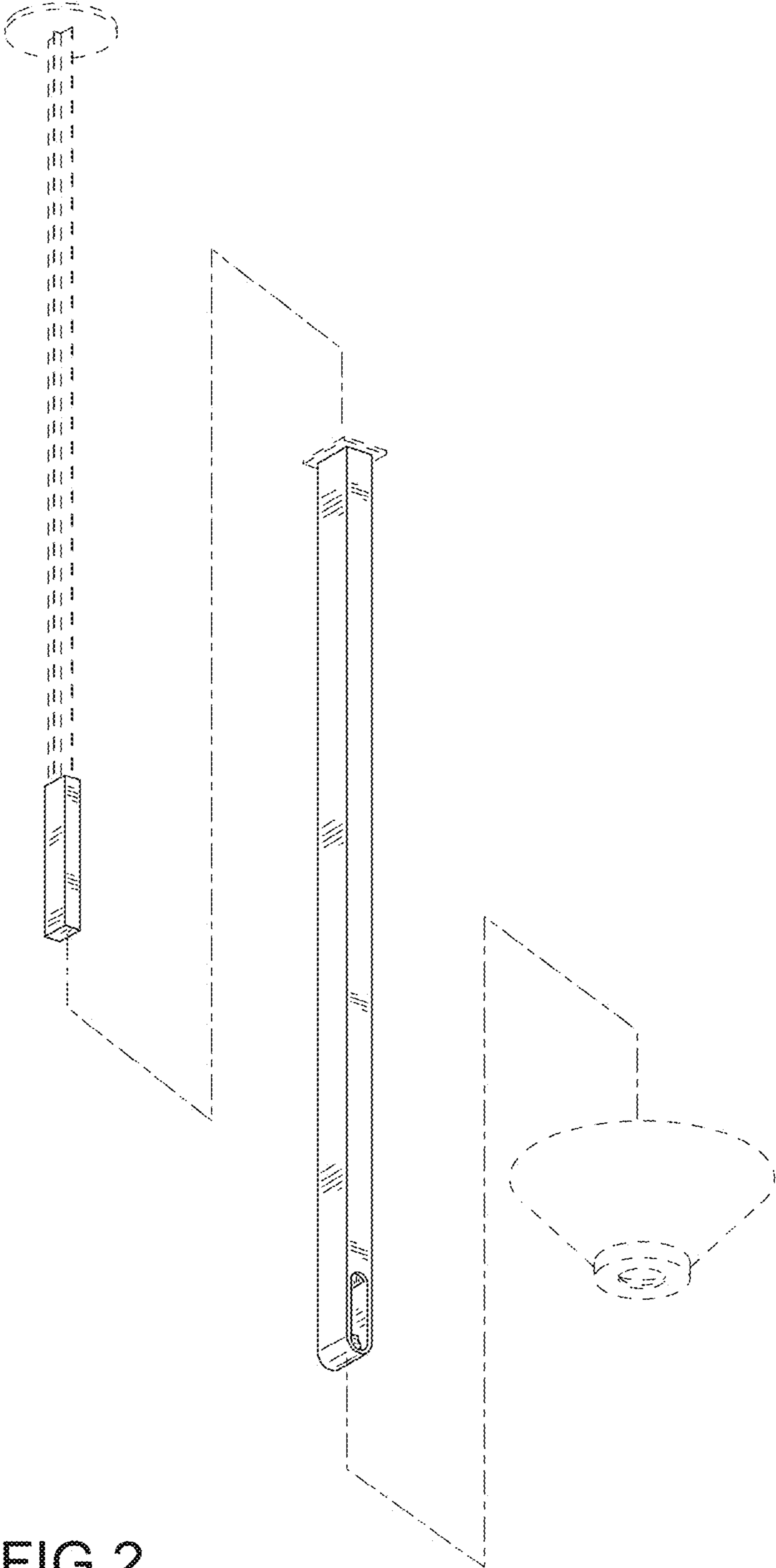


FIG.2

FIG.3

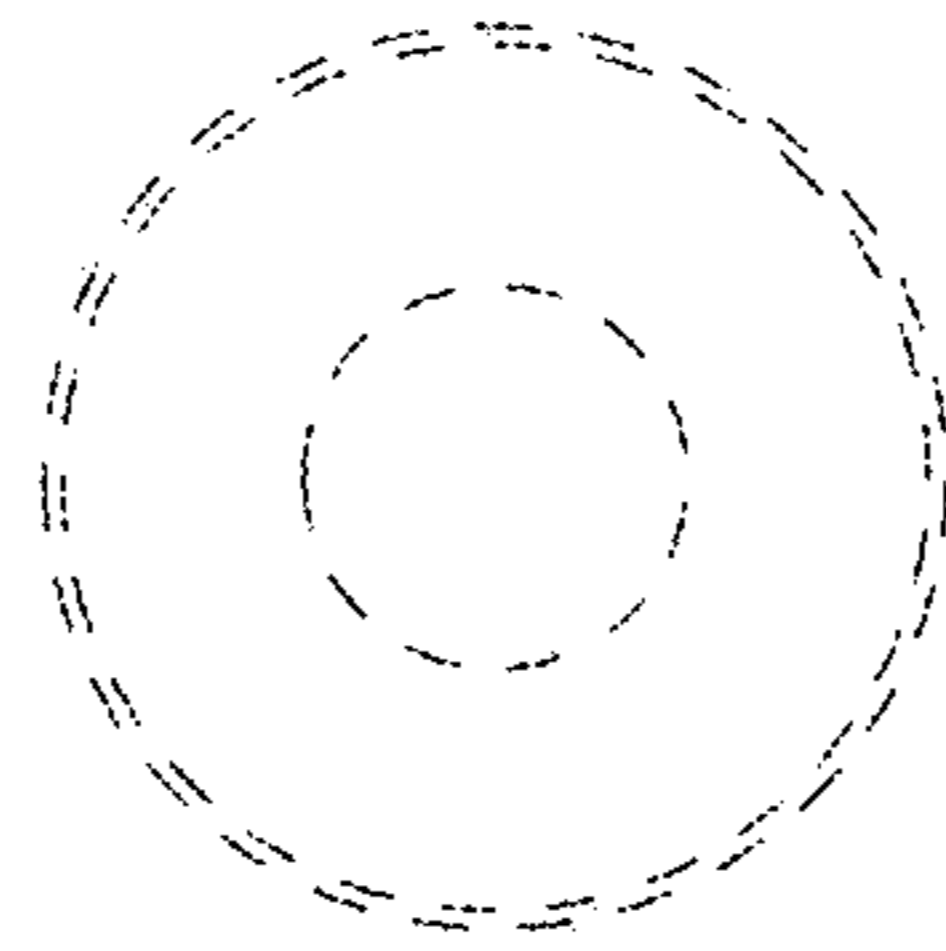


FIG.4

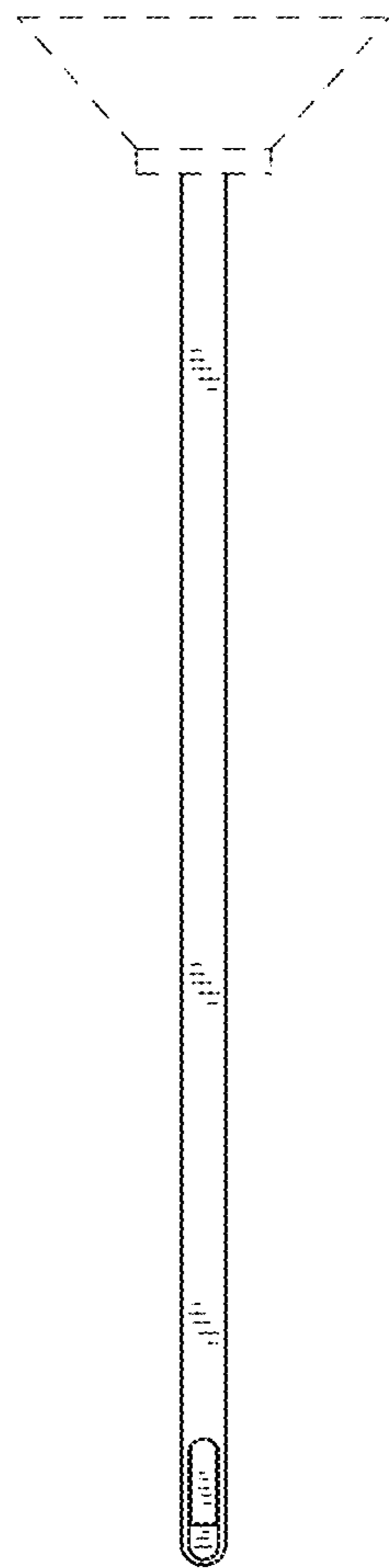


FIG.5

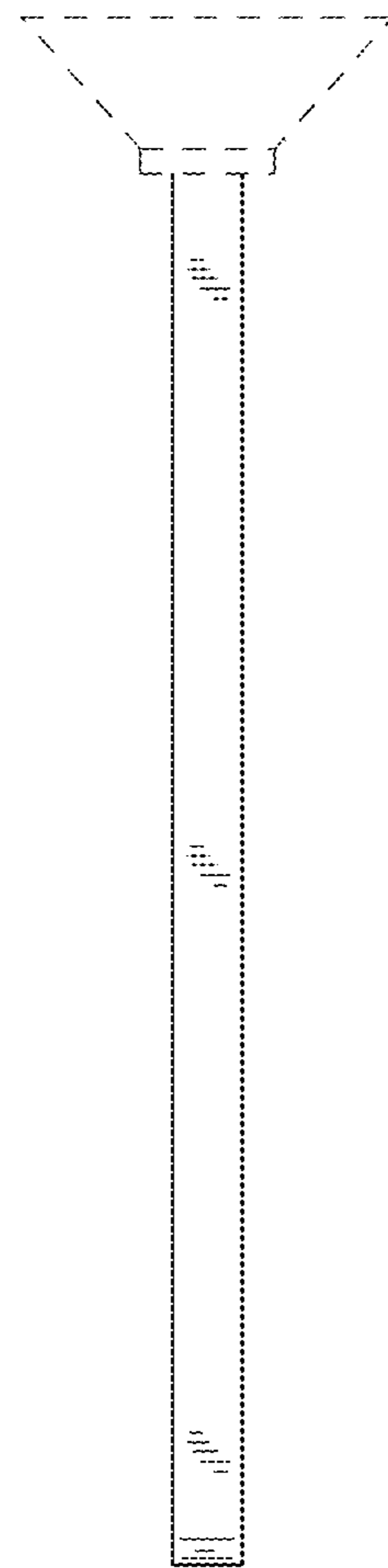
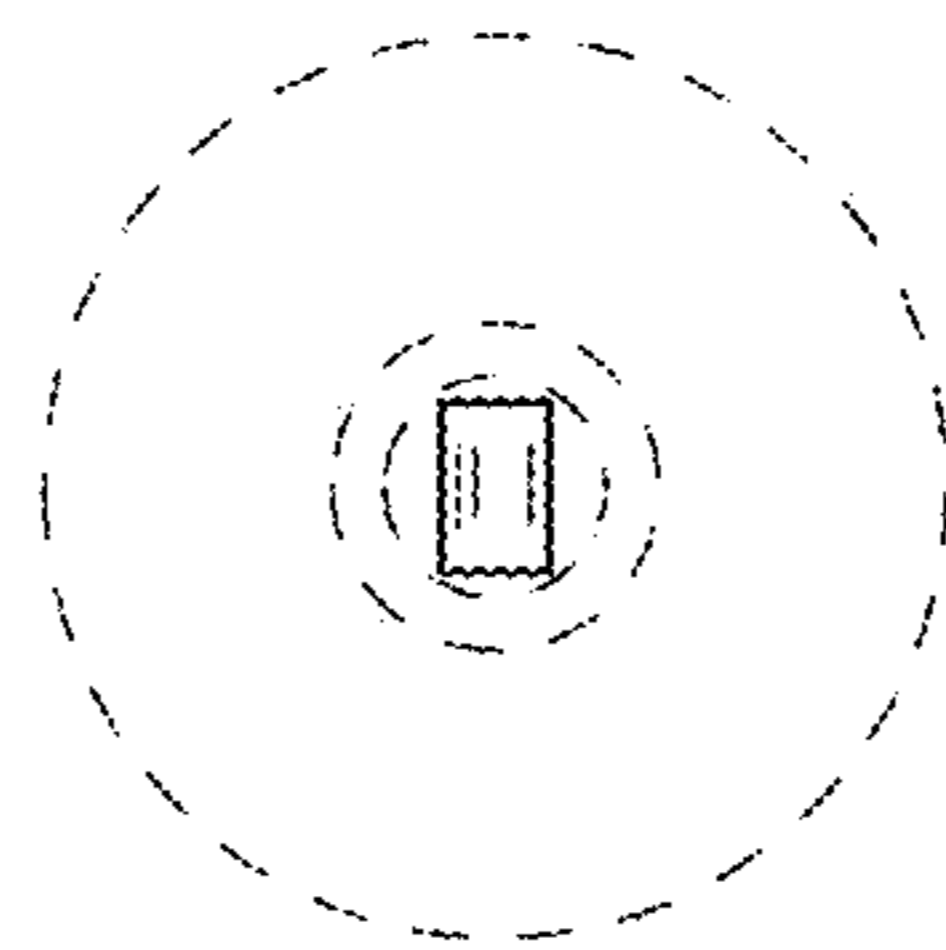


FIG.6



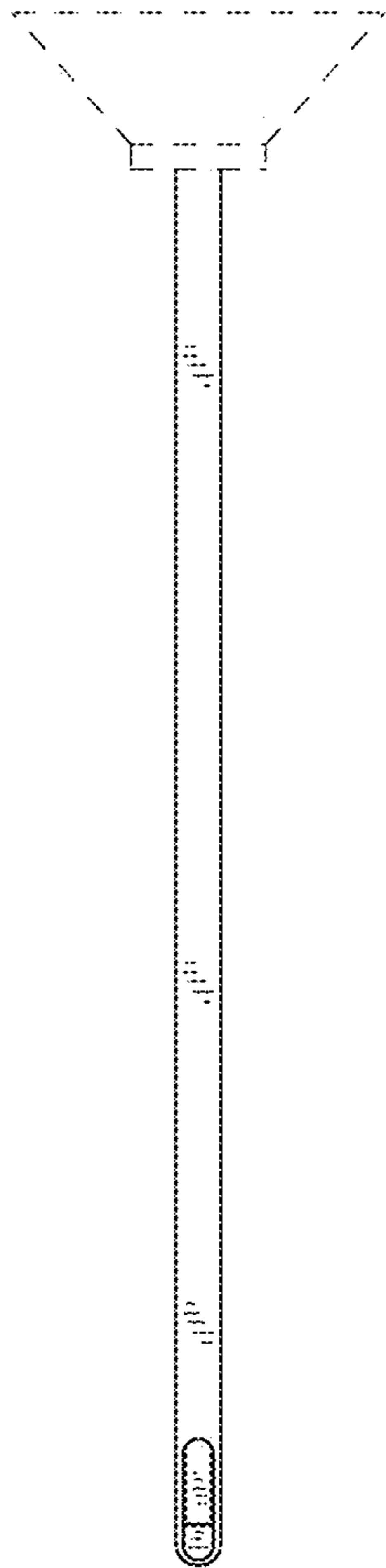


FIG. 7

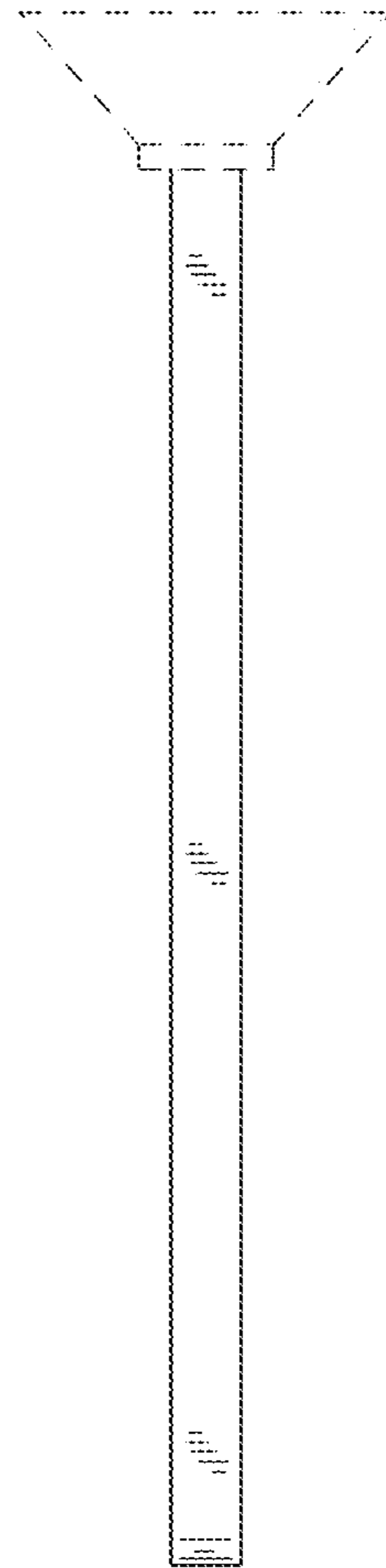


FIG. 8

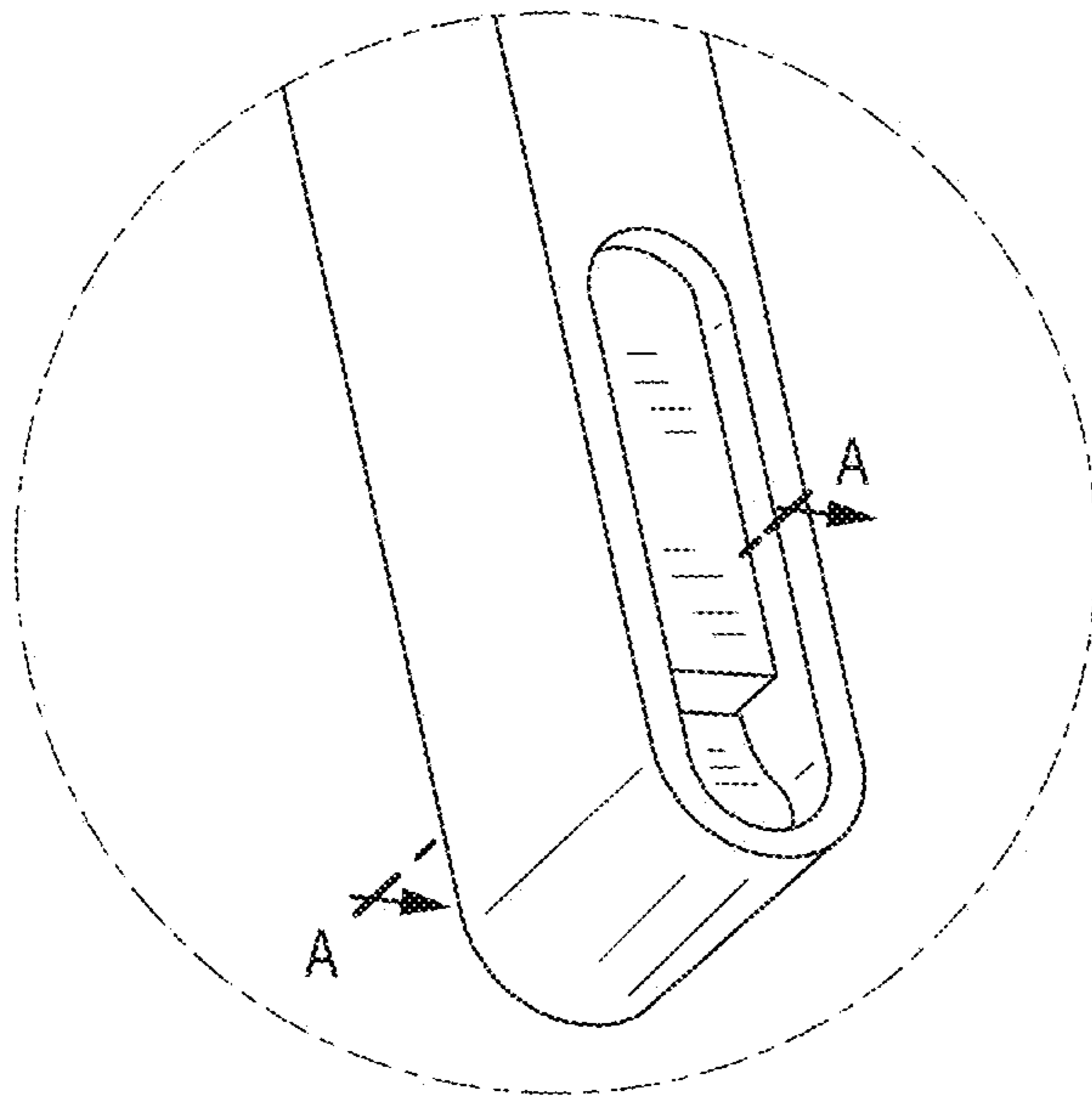


FIG. 9

SECTION A-A

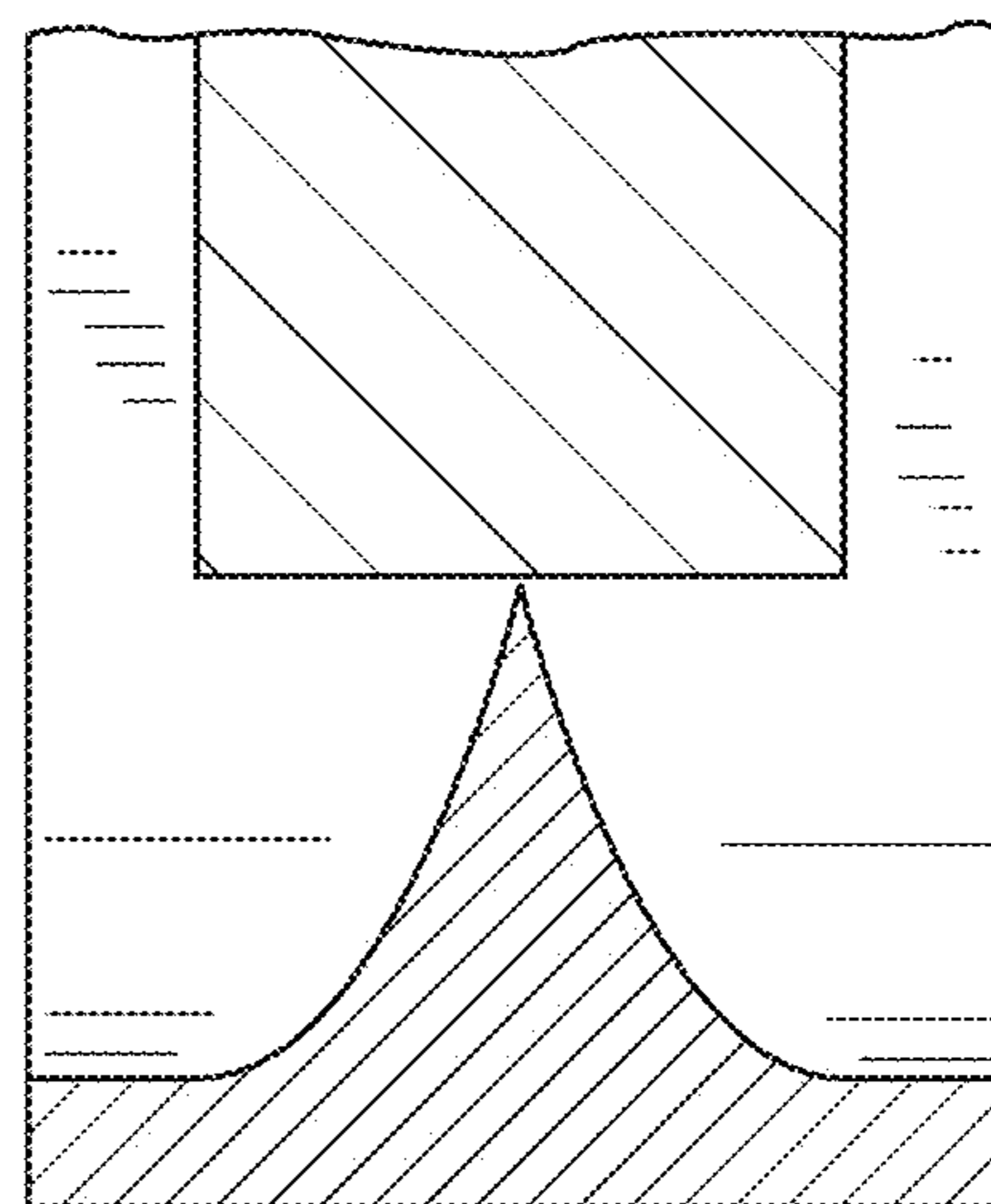


FIG. 10