



US00D723681S

(12) **United States Design Patent**  
**Ingram et al.**

(10) **Patent No.:** **US D723,681 S**  
(45) **Date of Patent:** **\*\* Mar. 3, 2015**

(54) **FEMALE ENTERAL COUPLING**

(75) Inventors: **Aaron N. Ingram**, Canton, GA (US);  
**Benjamin Martin Davis**, Smyrna, GA  
(US); **Anthony C. Lair**, Alpharetta, GA  
(US); **Mark Martin Costello**, Co. Mayo  
(IE); **Tony Doherty**, Co. Mayo (IE)

(73) Assignee: **Neomed, Inc.**, Woodstock, GA (US)

(\*\*) Term: **14 Years**

(21) Appl. No.: **29/430,917**

(22) Filed: **Aug. 31, 2012**

(51) **LOC (10) Cl.** ..... **24-02**

(52) **U.S. Cl.**  
USPC ..... **D24/130**

(58) **Field of Classification Search**

CPC ..... A61M 2005/3117; A61M 205/3123;  
A61M 2039/0036; A61M 2039/205  
USPC ..... D24/127, 130, 108, 112-114; 604/187,  
604/199, 218, 236-237, 324, 533  
See application file for complete search history.

(56) **References Cited**

U.S. PATENT DOCUMENTS

2,972,991 A \* 2/1961 Burke ..... D24/114  
4,335,756 A \* 6/1982 Sharp et al. .... D24/127

(Continued)

*Primary Examiner* — Robert Delehanty

(74) *Attorney, Agent, or Firm* — Gardner Groff Greenwald  
& Villanueva, PC

(57) **CLAIM**

The ornamental design for a female enteral coupling, substan-  
tially as shown and described.

**DESCRIPTION**

FIG. 1 is a top perspective view of a female enteral coupling  
according to an example embodiment of the present inven-

tion, the female enteral coupling shown in use with an  
unclaimed enteral syringe body lid.

FIG. 2 is a right side plan view of the female enteral coupling  
of FIG. 1.

FIG. 3 is a left side plan view of the female enteral coupling  
of FIG. 1.

FIG. 4 is a bottom plan view of the female enteral coupling of  
FIG. 1.

FIG. 5 is a top plan view of the female enteral coupling of  
FIG. 1.

FIG. 6 is a cross-sectional view of the female enteral coupling  
of FIG. 1, as viewed from line 6 identified in FIG. 5.

FIG. 7 is a top perspective view of a female enteral coupling  
according to another example embodiment of the present  
invention, the female enteral coupling shown in use with an  
unclaimed enteral syringe body lid.

FIG. 8 is a right side plan view of the female enteral coupling  
of FIG. 7.

FIG. 9 is a left side plan view of the female enteral coupling  
of FIG. 7.

FIG. 10 is a bottom plan view of the female enteral coupling  
of FIG. 7.

FIG. 11 is a top plan view of the female enteral coupling of  
FIG. 7.

FIG. 12 is a cross-sectional view of the female enteral cou-  
pling of FIG. 7, as viewed from line 12 identified in FIG. 11.

FIG. 13 is a top perspective view of a female enteral coupling  
according to another example embodiment of the present  
invention, the female enteral coupling shown in use with an  
unclaimed enteral syringe body lid.

FIG. 14 is a right side plan view of the female enteral coupling  
of FIG. 13.

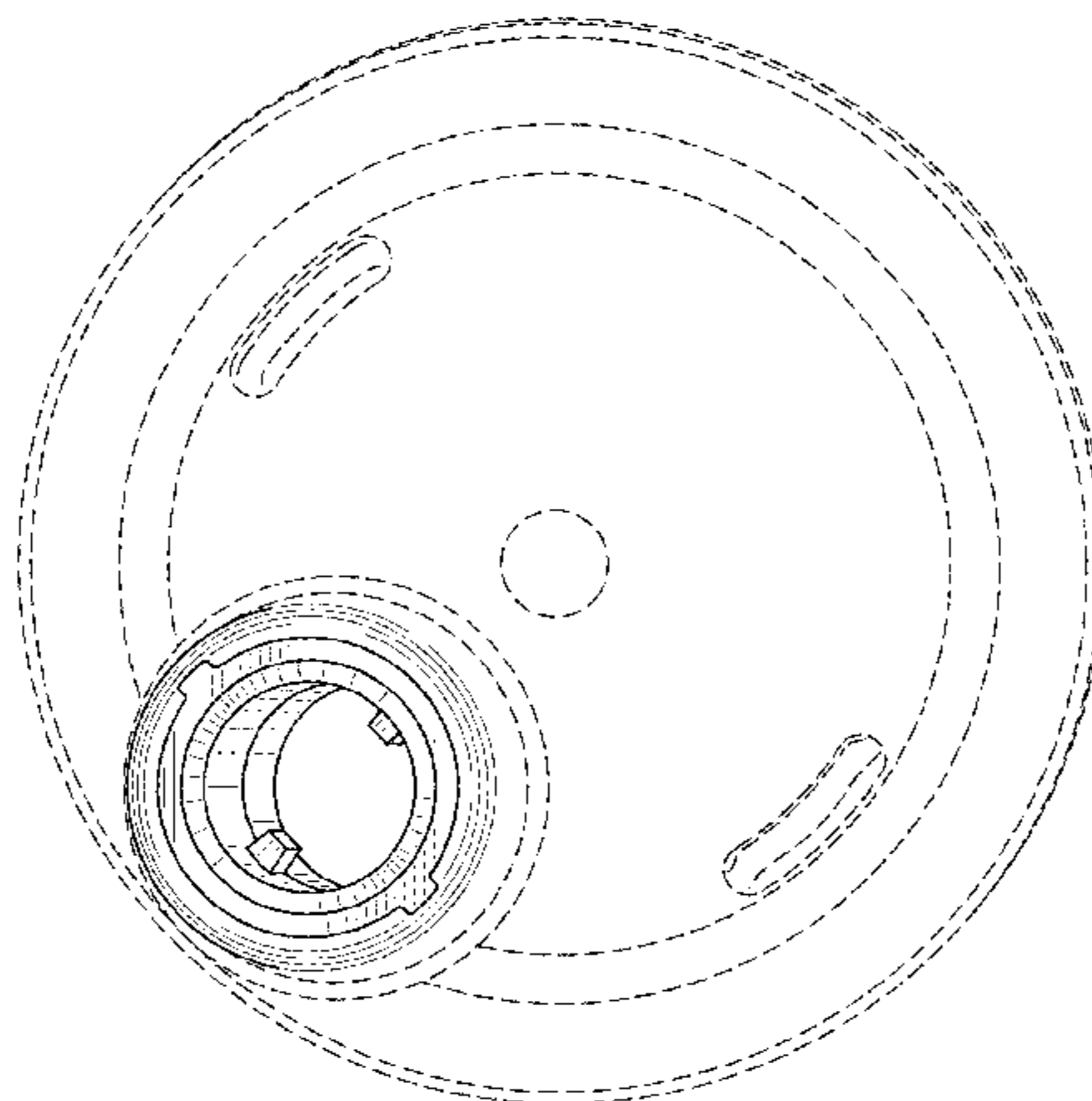
FIG. 15 is a left side plan view of the female enteral coupling  
of FIG. 13.

FIG. 16 is a bottom plan view of the female enteral coupling  
of FIG. 13.

FIG. 17 is a top plan view of the female enteral coupling of  
FIG. 13; and,

FIG. 18 is a cross-sectional view of the female enteral cou-  
pling of FIG. 13, as viewed from line 18 identified in FIG. 17.  
Portions shown in broken lines are for illustrative purposes  
only and form no part of the claimed design.

**1 Claim, 15 Drawing Sheets**



(56)

**References Cited**

U.S. PATENT DOCUMENTS

D269,252 S *	6/1983	Balistreri .....	D24/127	D696,398 S *	12/2013	Blanco et al. ....	D24/127
D335,343 S *	5/1993	Jones et al. ....	D24/110	8,628,501 B2 *	1/2014	Hadden .....	604/199
D484,241 S *	12/2003	Peters et al. ....	D24/129	8,708,972 B2 *	4/2014	Christiansen .....	604/218
7,841,581 B2 *	11/2010	Thorne et al. ....	604/249	D707,354 S *	6/2014	Seitz, III .....	D24/127
D688,796 S *	8/2013	Niunoya et al. ....	D24/127	8,758,306 B2 *	6/2014	Lopez et al. ....	604/533
				8,781,586 B2 *	7/2014	Mokelke et al. ....	604/533
				8,790,330 B2 *	7/2014	Rosenquist .....	604/533
				8,801,695 B2 *	8/2014	Matlock et al. ....	604/535

\* cited by examiner

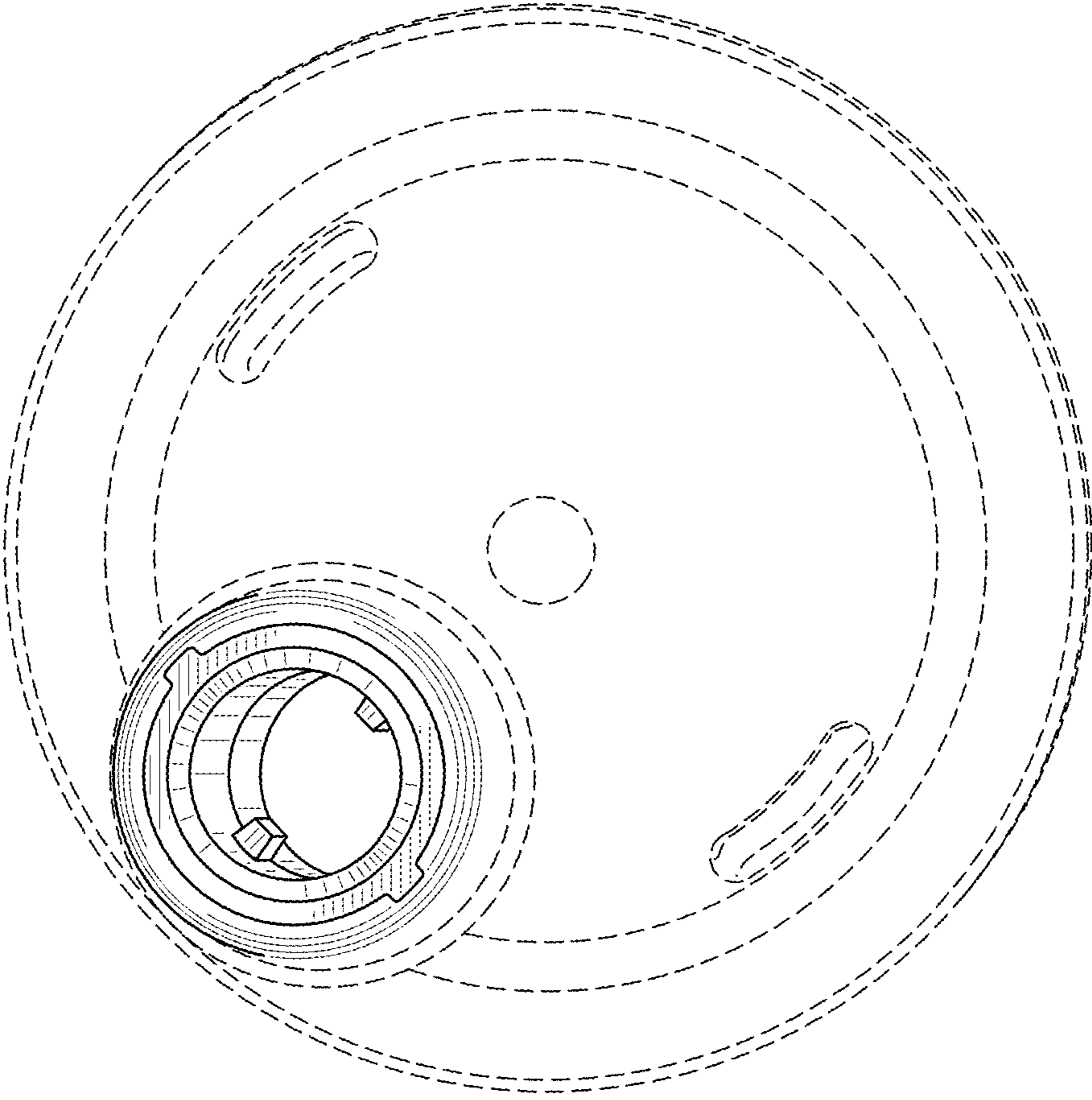


FIG. 1

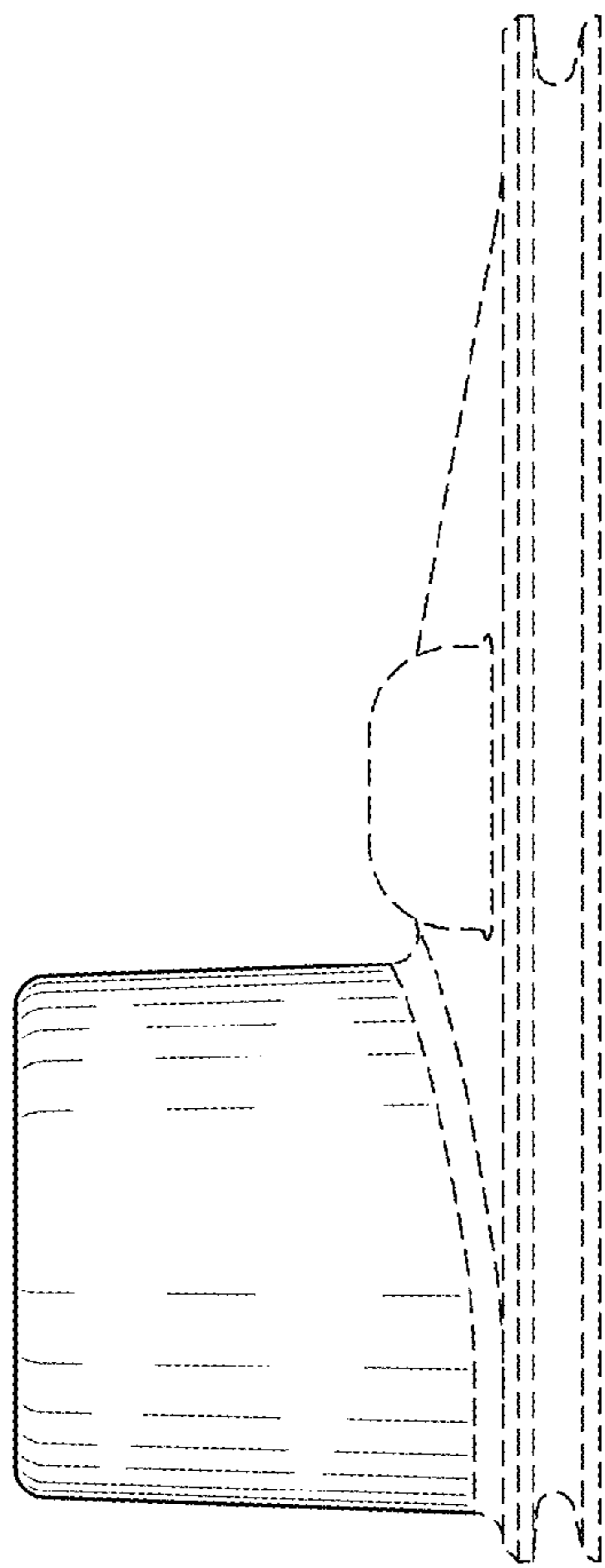


FIG. 2

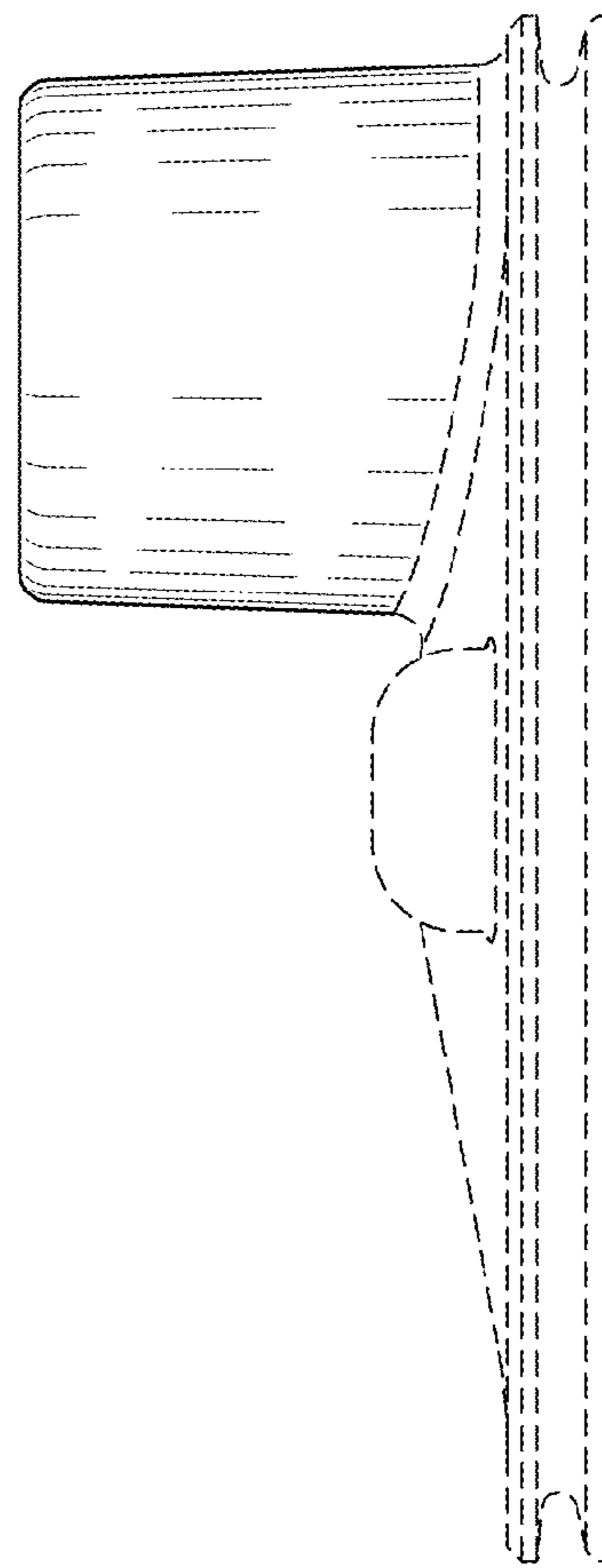


FIG. 3

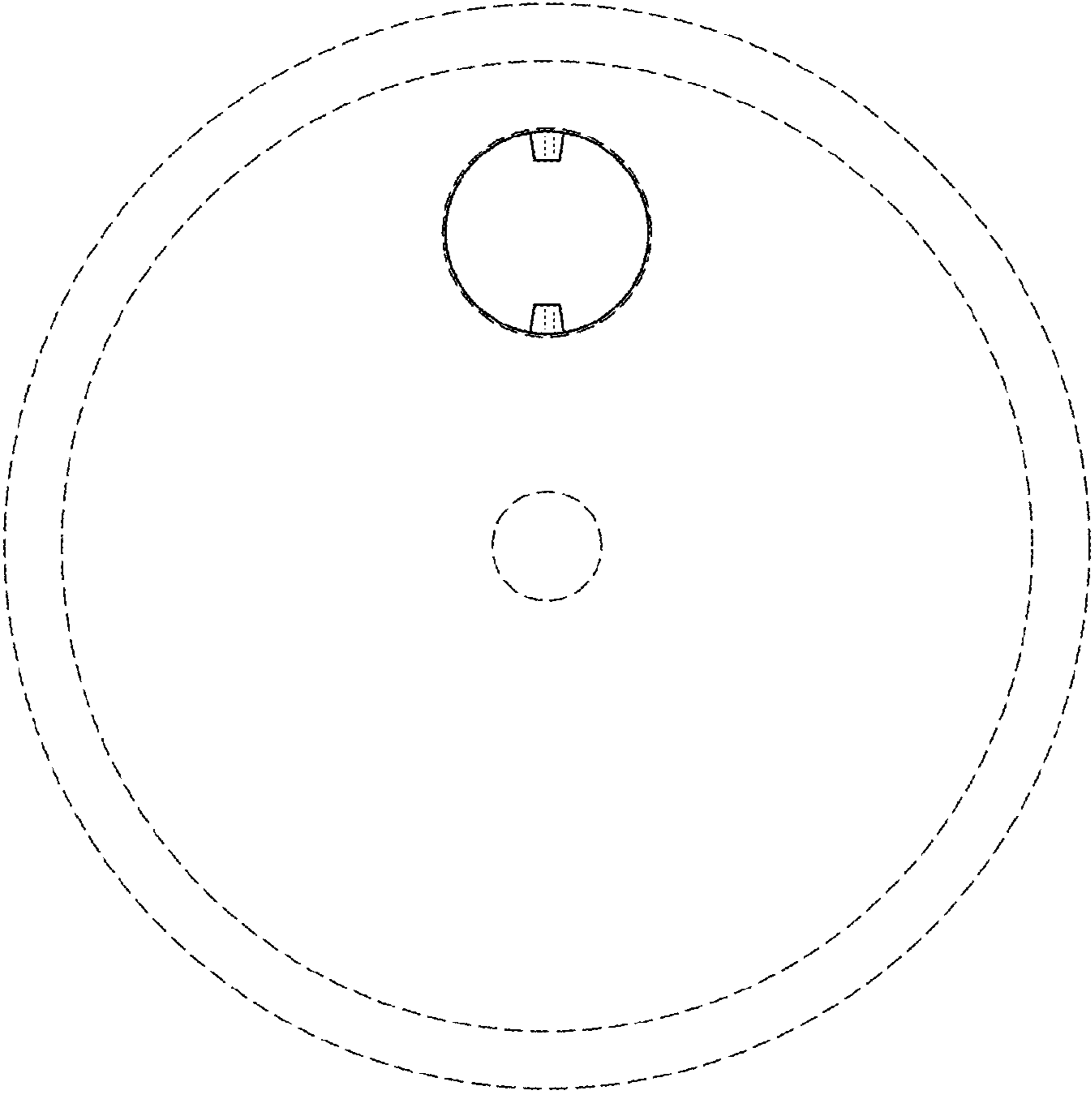


FIG. 4

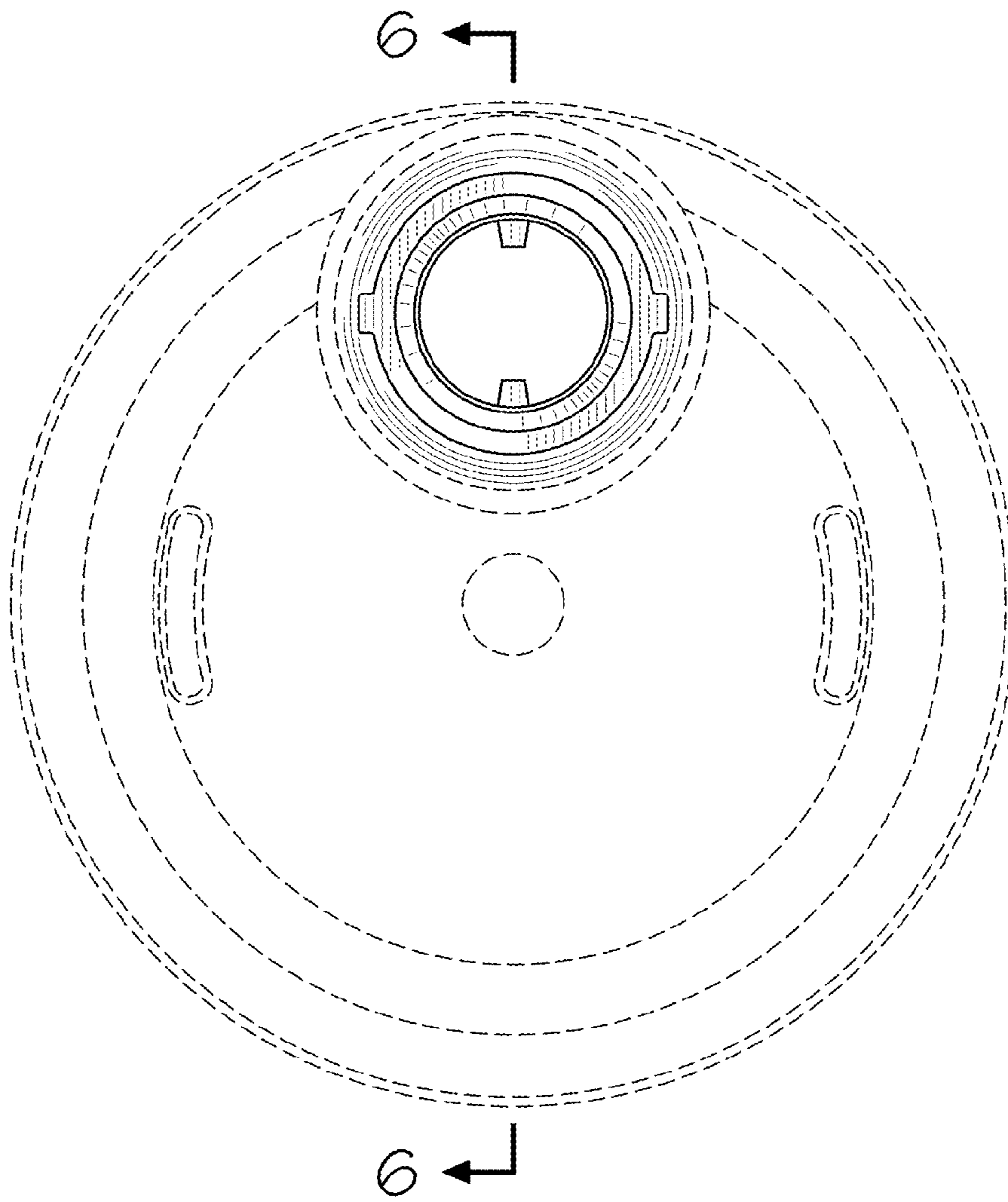


FIG. 5

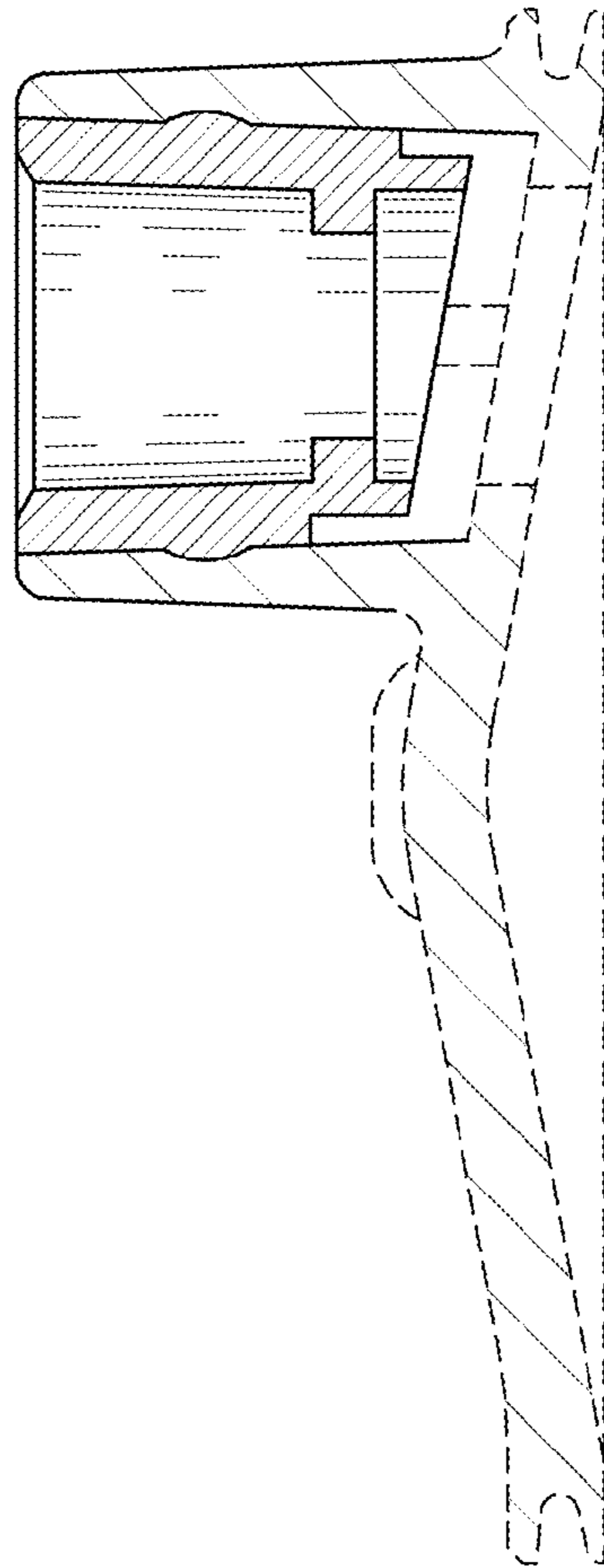


FIG. 6

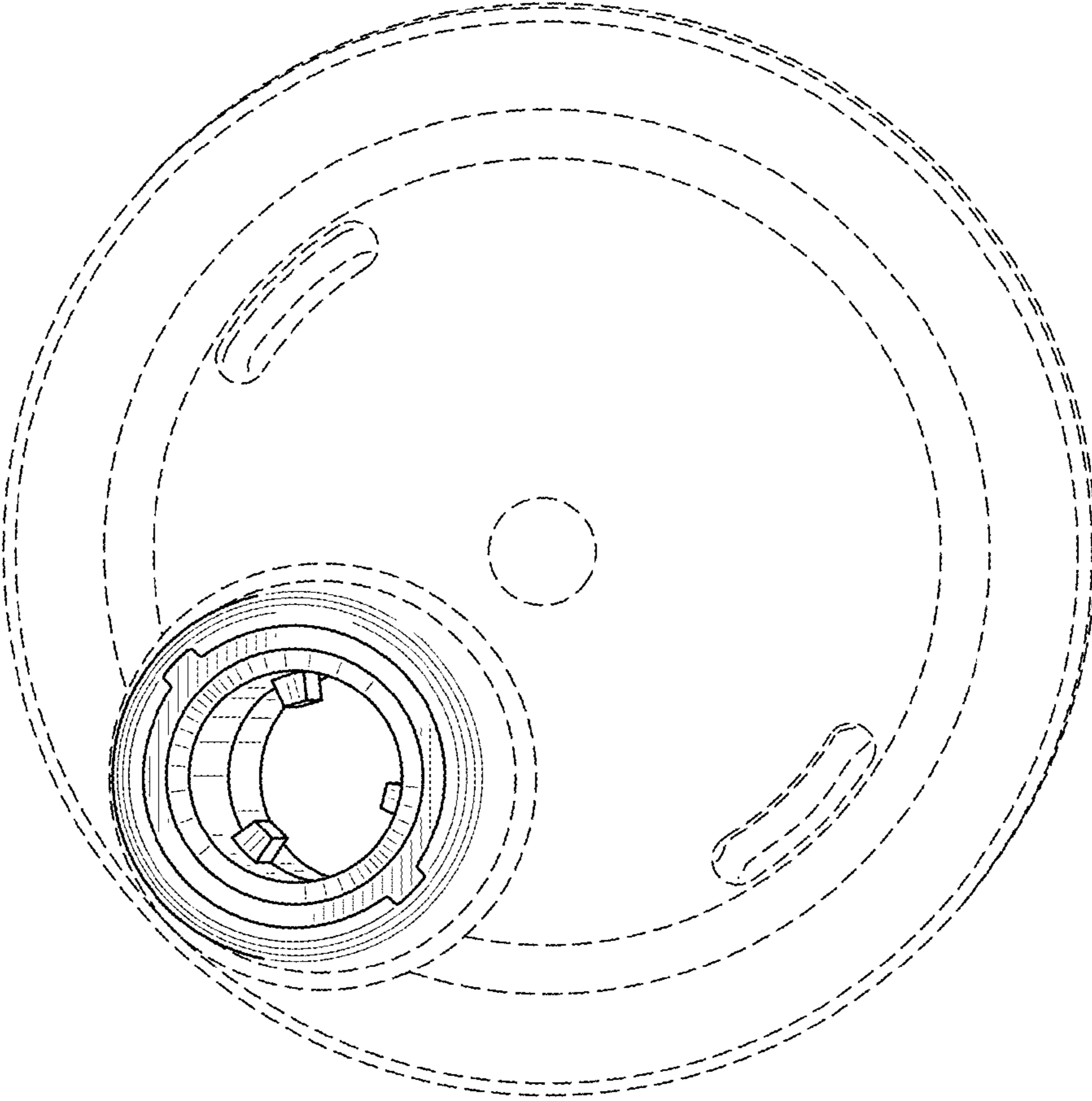


FIG. 7



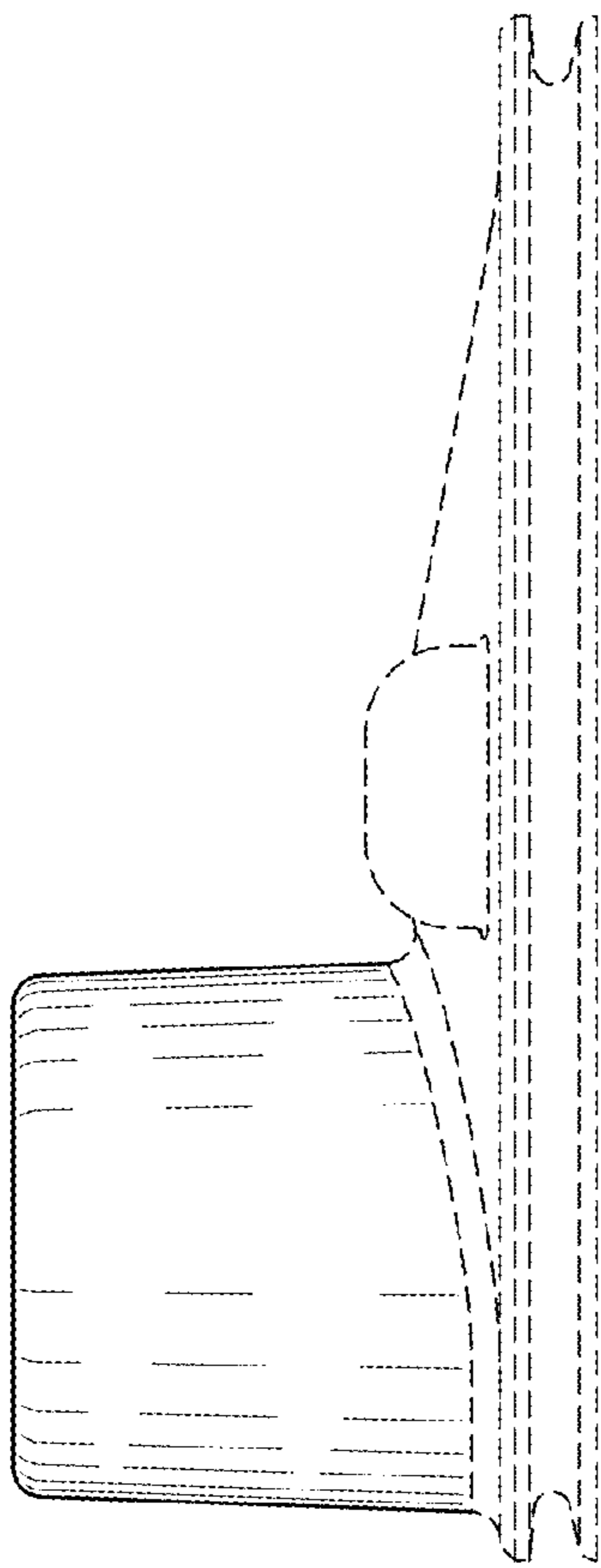


FIG. 8

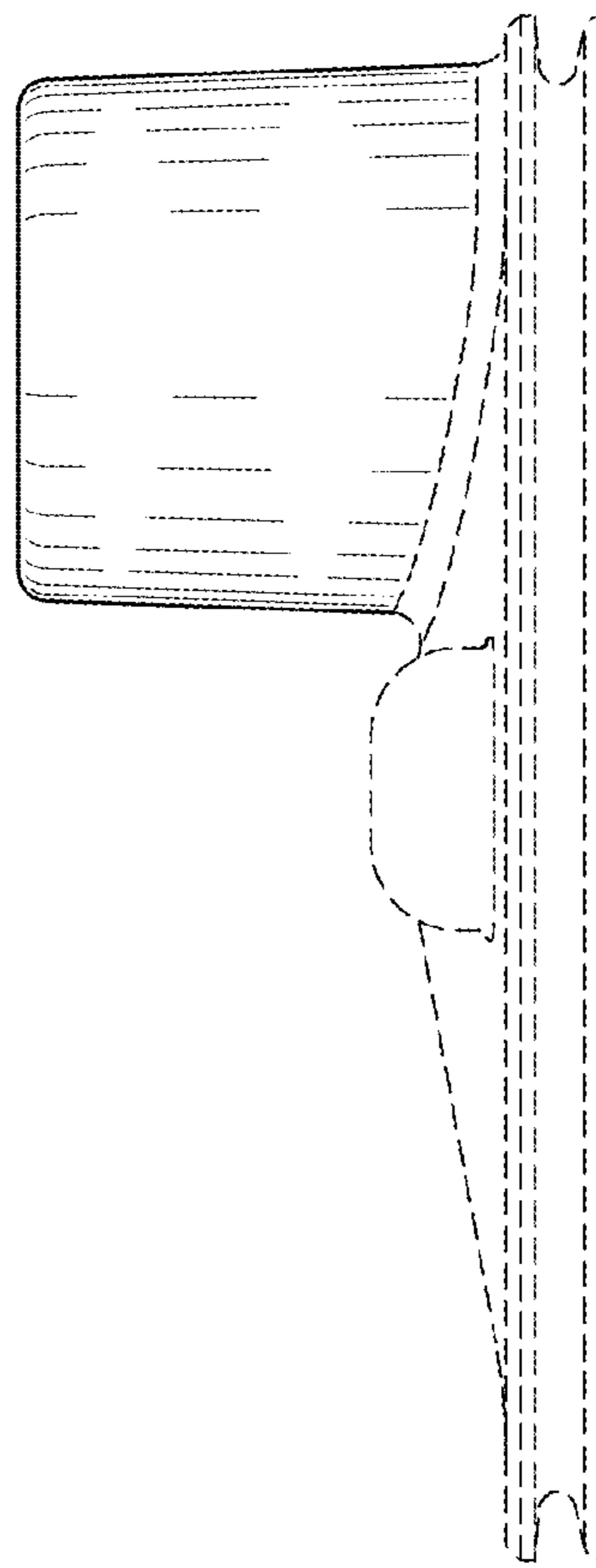


FIG. 9

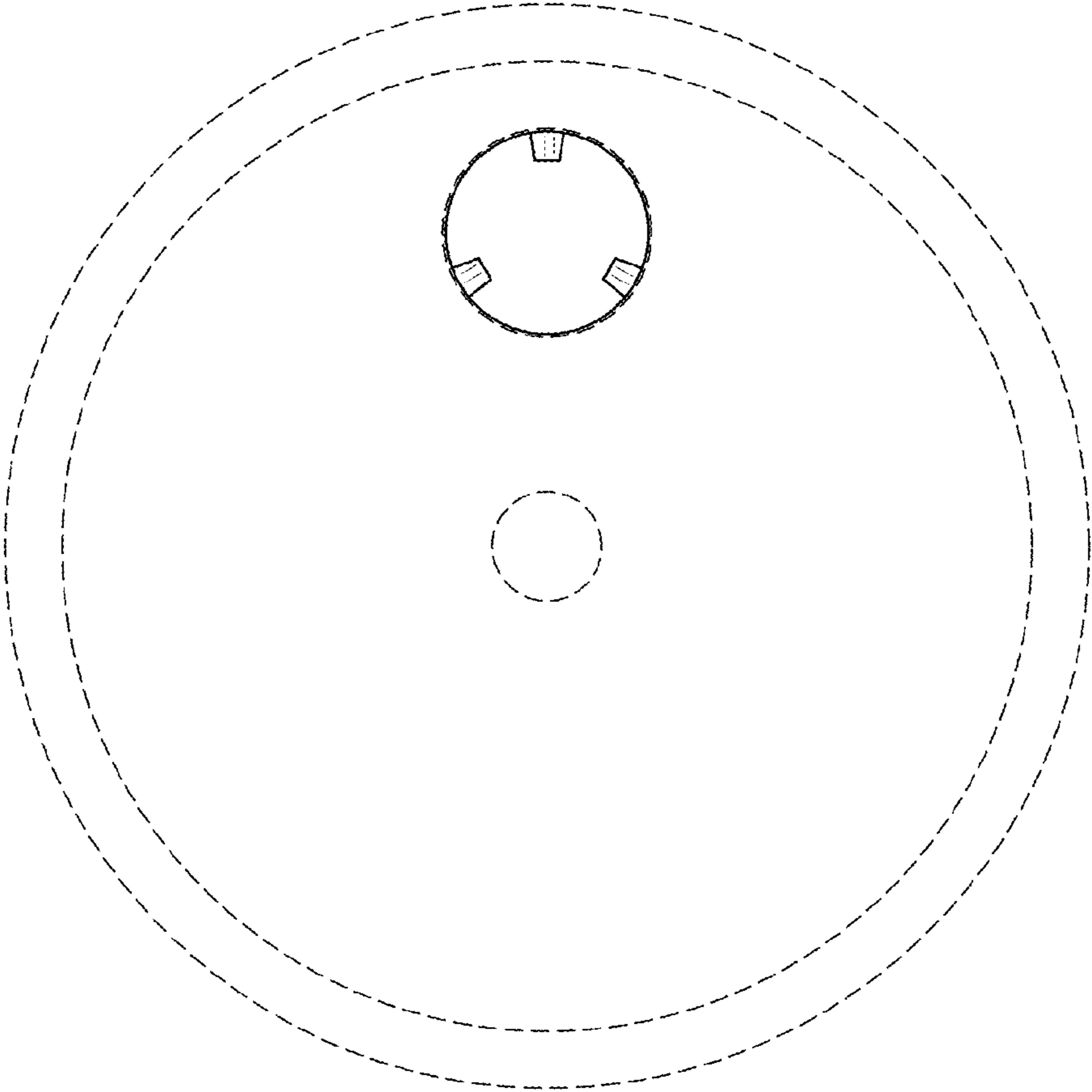


FIG. 10

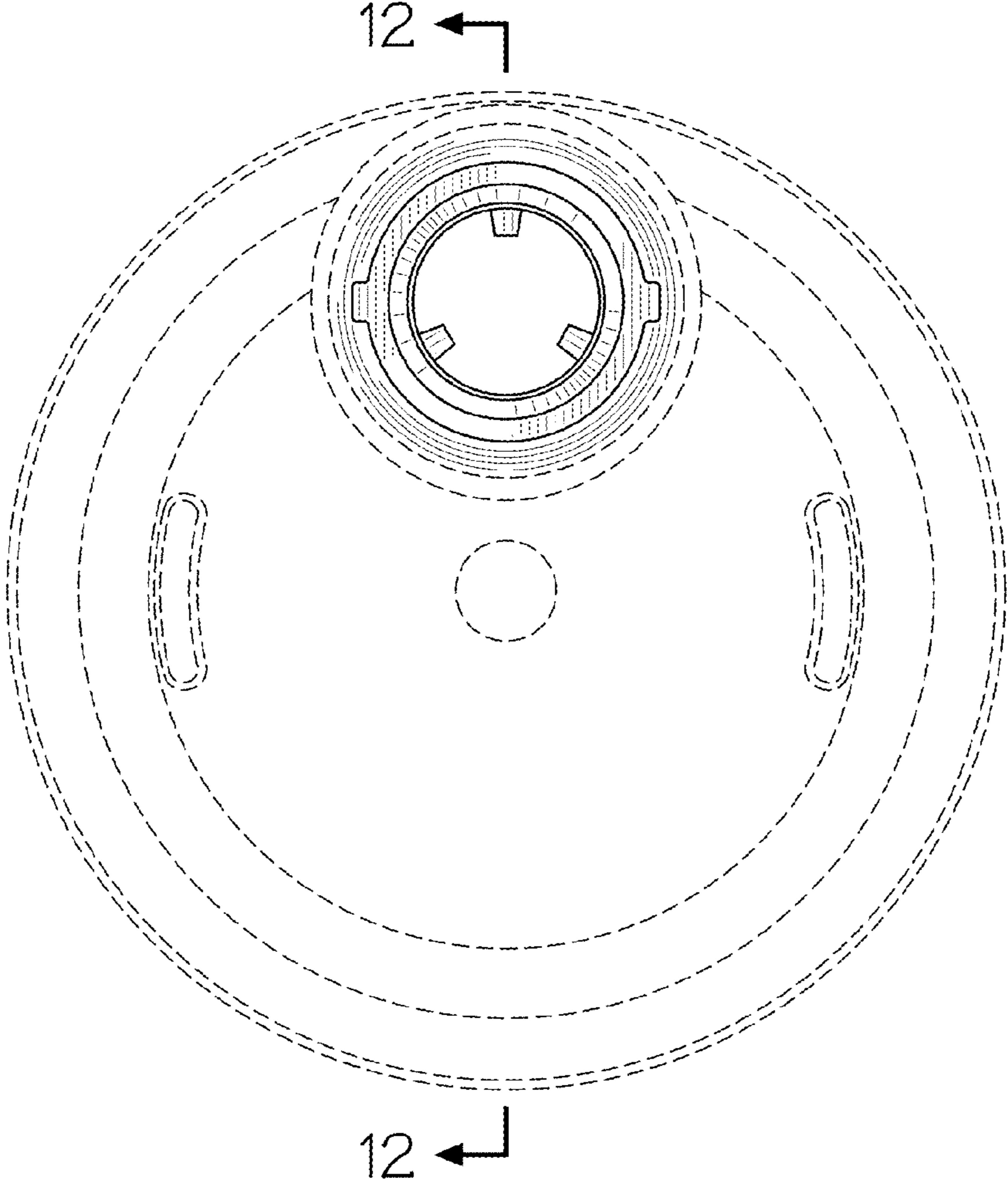


FIG. 11

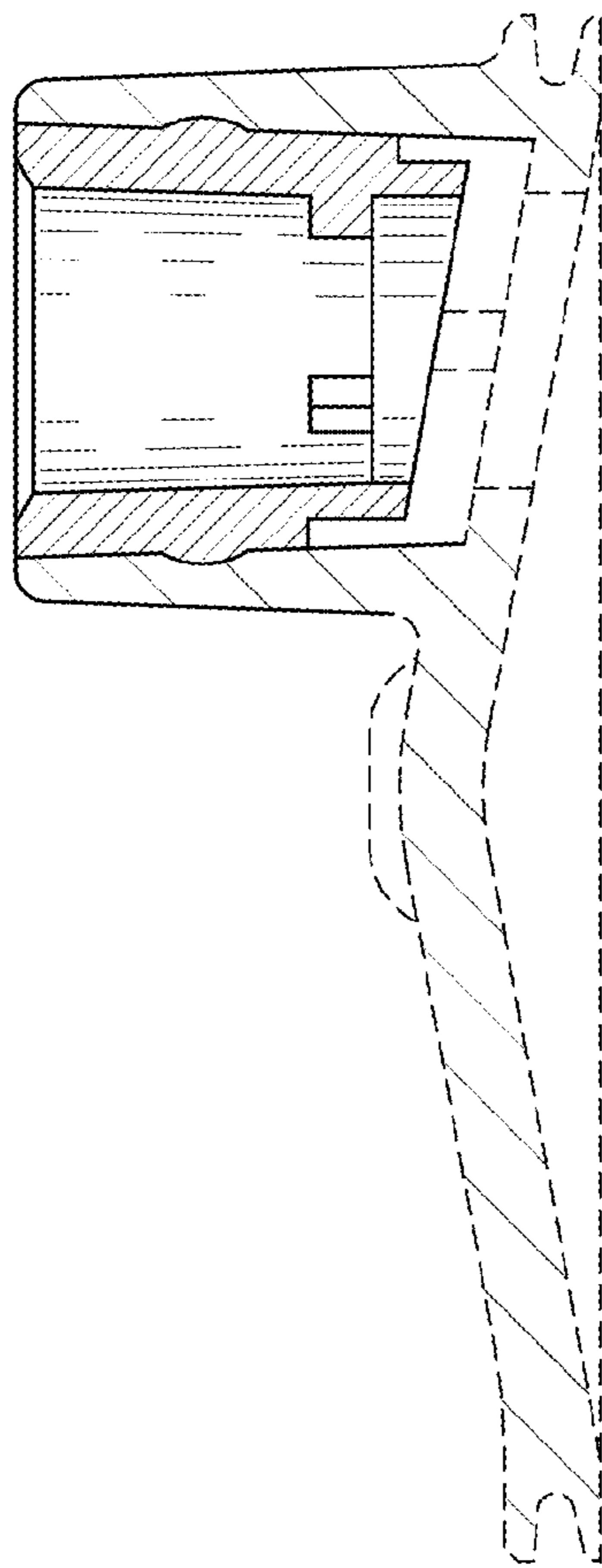


FIG. 12

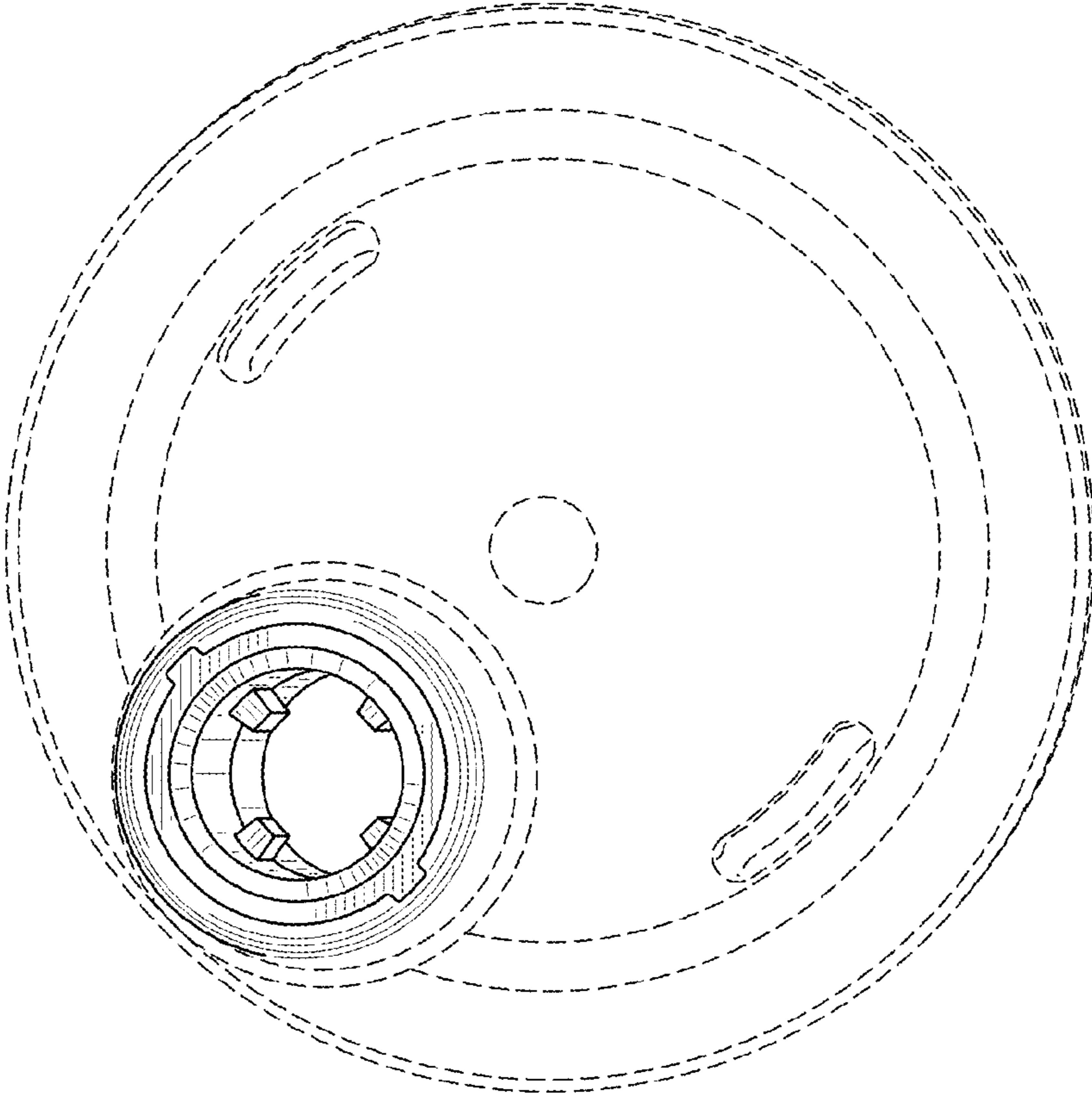


FIG. 13

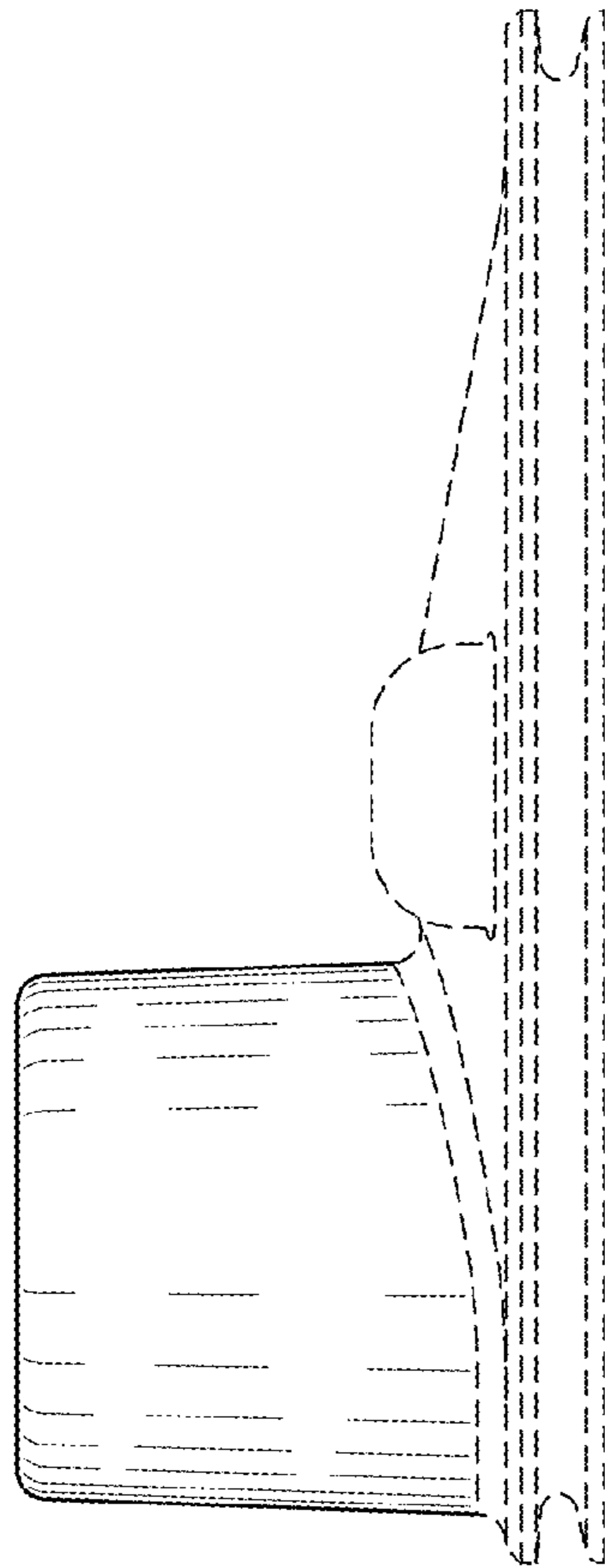


FIG. 14

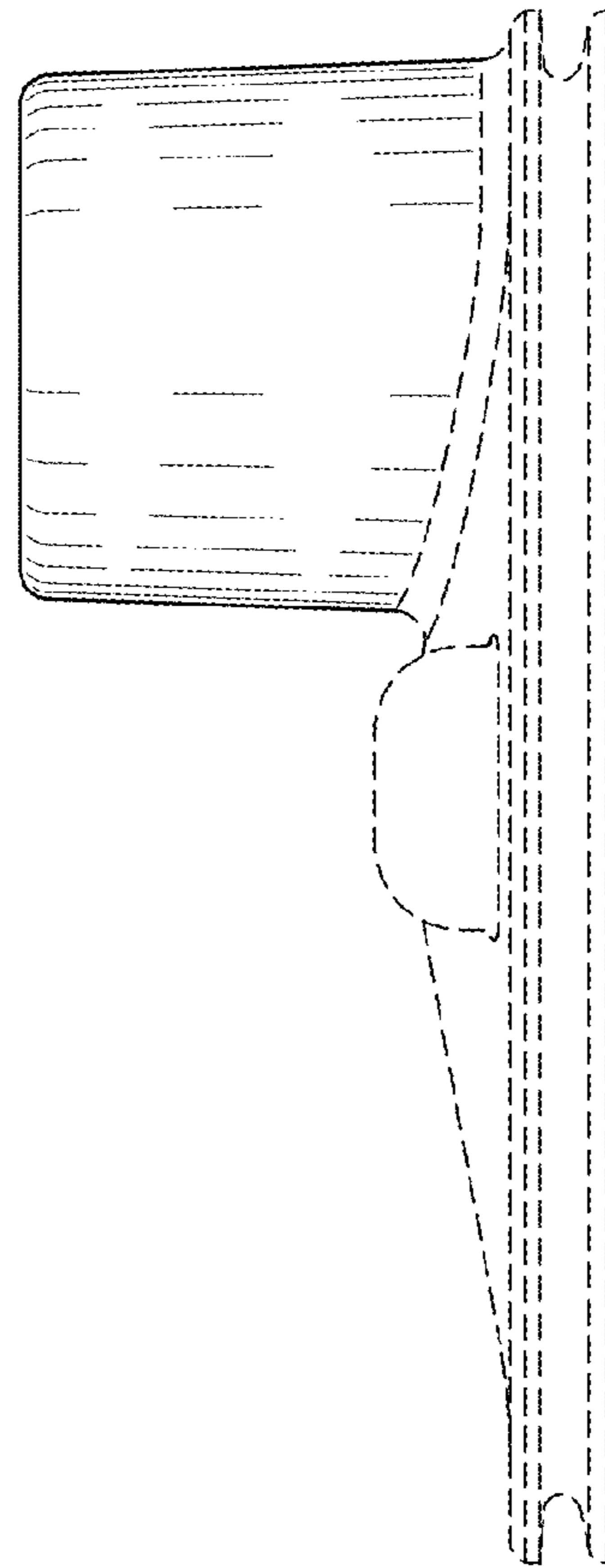


FIG. 15

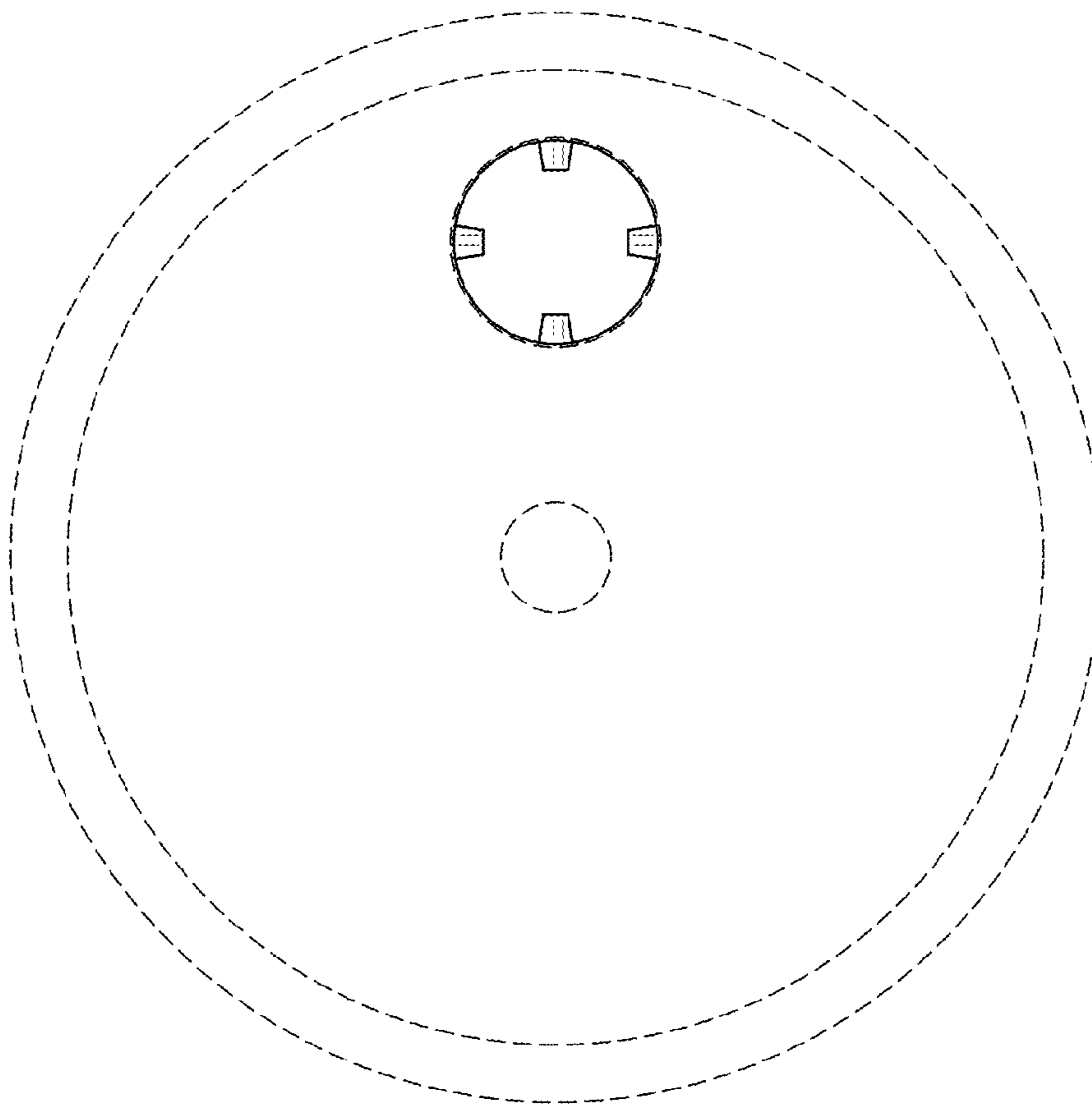


FIG. 16

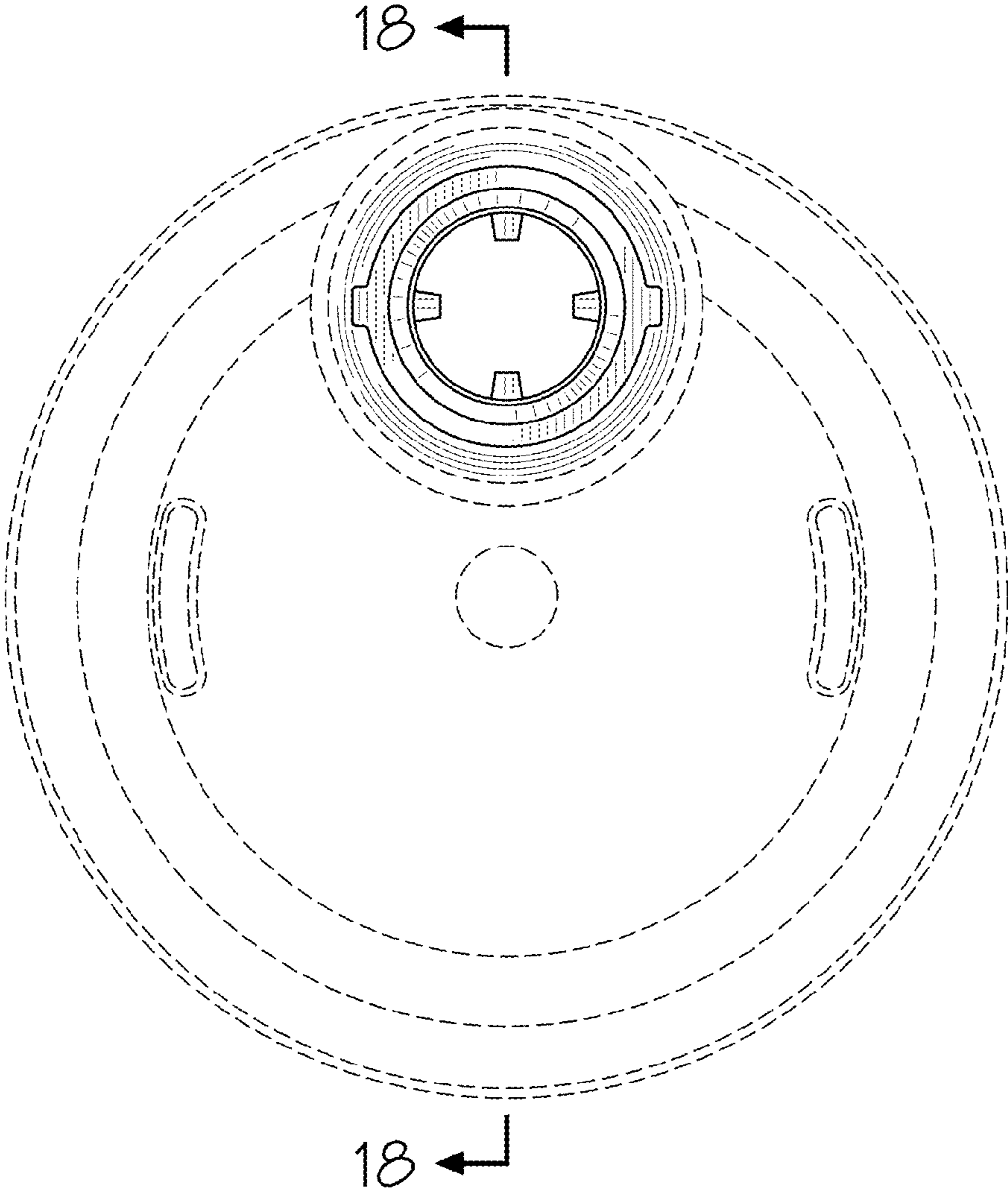


FIG. 17



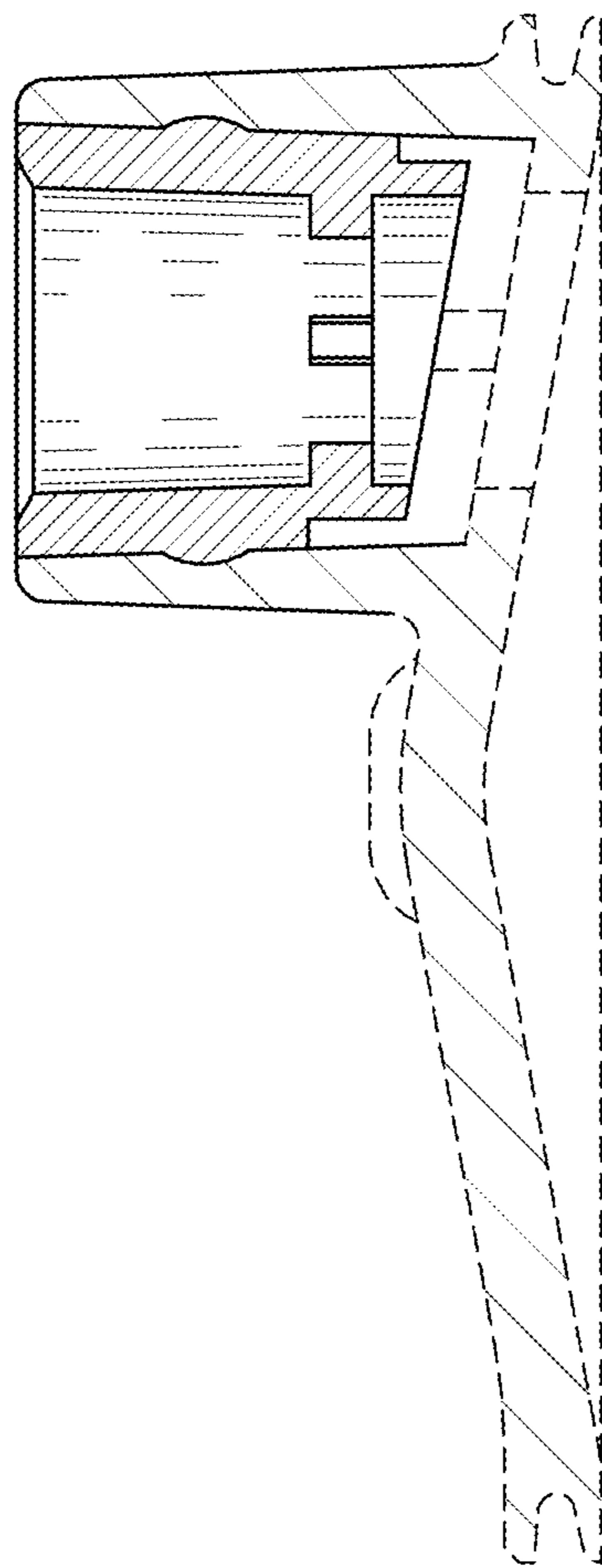


FIG. 18