



US00D723678S

(12) **United States Design Patent**
Strecker et al.

(10) **Patent No.:** **US D723,678 S**
(45) **Date of Patent:** **** Mar. 3, 2015**

- (54) **WINGLET FOR A CEILING FAN**
- (71) Applicant: **Delta T Corporation**, Lexington, KY (US)
- (72) Inventors: **Erika Strecker**, Lexington, KY (US);
Jason Williams, Wilmore, KY (US)
- (73) Assignee: **Delta T Corporation**, Lexington, KY (US)
- (**) Term: **14 Years**

D581,342 S *	11/2008	Cazals	D12/345
D587,799 S	3/2009	Oleson		
D604,408 S *	11/2009	Searle	D23/411
D605,590 S *	12/2009	Chen et al.	D13/115
7,654,798 B2	2/2010	Aynsley		
7,934,907 B2	5/2011	Aynsley et al.		
D641,075 S	7/2011	Fizer et al.		
D642,674 S	8/2011	Oleson		
D644,316 S *	8/2011	Spaggiari	D23/413
8,075,273 B2	12/2011	Aynsley		
8,079,823 B2	12/2011	Aynsley et al.		
8,147,182 B2	4/2012	Aynsley et al.		
8,147,204 B2	4/2012	Scherer et al.		
D664,727 S *	7/2012	Park et al.	D32/25

(Continued)

(21) Appl. No.: **29/458,161**

(22) Filed: **Jun. 17, 2013**

(51) **LOC (10) Cl.** **23-04**

(52) **U.S. Cl.**
USPC **D23/413**

(58) **Field of Classification Search**
USPC D23/413, 355, 411, 412, 414, 324, 331,
D23/343, 370-387, 499; D12/214, 332,
D12/338, 345; D32/18, 25, 31, 32;
416/210 R, 241 R, 5, 244 R, 170 R, 184,
416/204 R, 206, 207, 214 R, 220 R, 228,
416/90 R, 191, 242, 243, 223 R, 224, 147;
417/423.1; 244/199.4, 123.1

See application file for complete search history.

(56) **References Cited**

U.S. PATENT DOCUMENTS

37,106 A *	12/1862	Payne	416/210 R
59,781 A *	11/1866	Rittenhouse	416/210 R
60,988 A *	1/1867	Banks	416/210 R
1,940,318 A *	12/1933	Morse	416/210 R
2,014,032 A *	9/1935	Sharpe et al.	416/228
2,426,742 A *	9/1947	Pawlowski	416/189
5,035,576 A *	7/1991	Byrnes et al.	416/134 R
D371,650 S *	7/1996	Dingelstad	D32/18
D448,895 S *	10/2001	Andreas	D32/18
7,252,478 B2	8/2007	Aynsley et al.		
7,284,960 B2	10/2007	Aynsley		

OTHER PUBLICATIONS

ISIS Installation Guide Big Ass Fans www.bigassfans.com © 2013
Delta T Corp. DBA Big Ass Fan Co. 56 Pages.

Primary Examiner — Susan Bennett Hattan

Assistant Examiner — Marie Fast Horse

(74) *Attorney, Agent, or Firm* — King & Schickli, PLLC

(57) **CLAIM**

The ornamental design for a winglet for a ceiling fan, as shown and described.

DESCRIPTION

FIG. 1 is a perspective view of a fan illustrating the winglet in use;

FIG. 2 is a perspective view of the winglet;

FIG. 3 is a left side view of the winglet;

FIG. 4 is a front view of the winglet;

FIG. 5 is a right side view of the winglet;

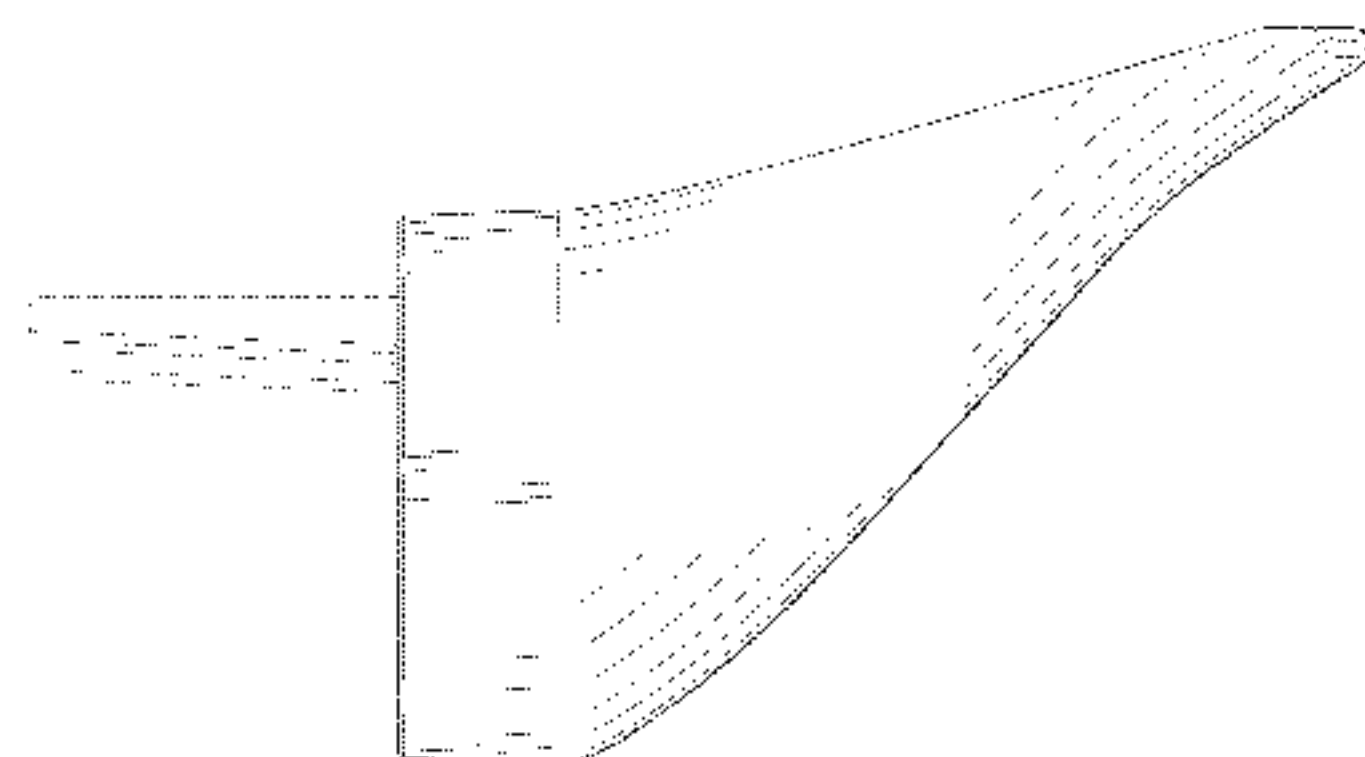
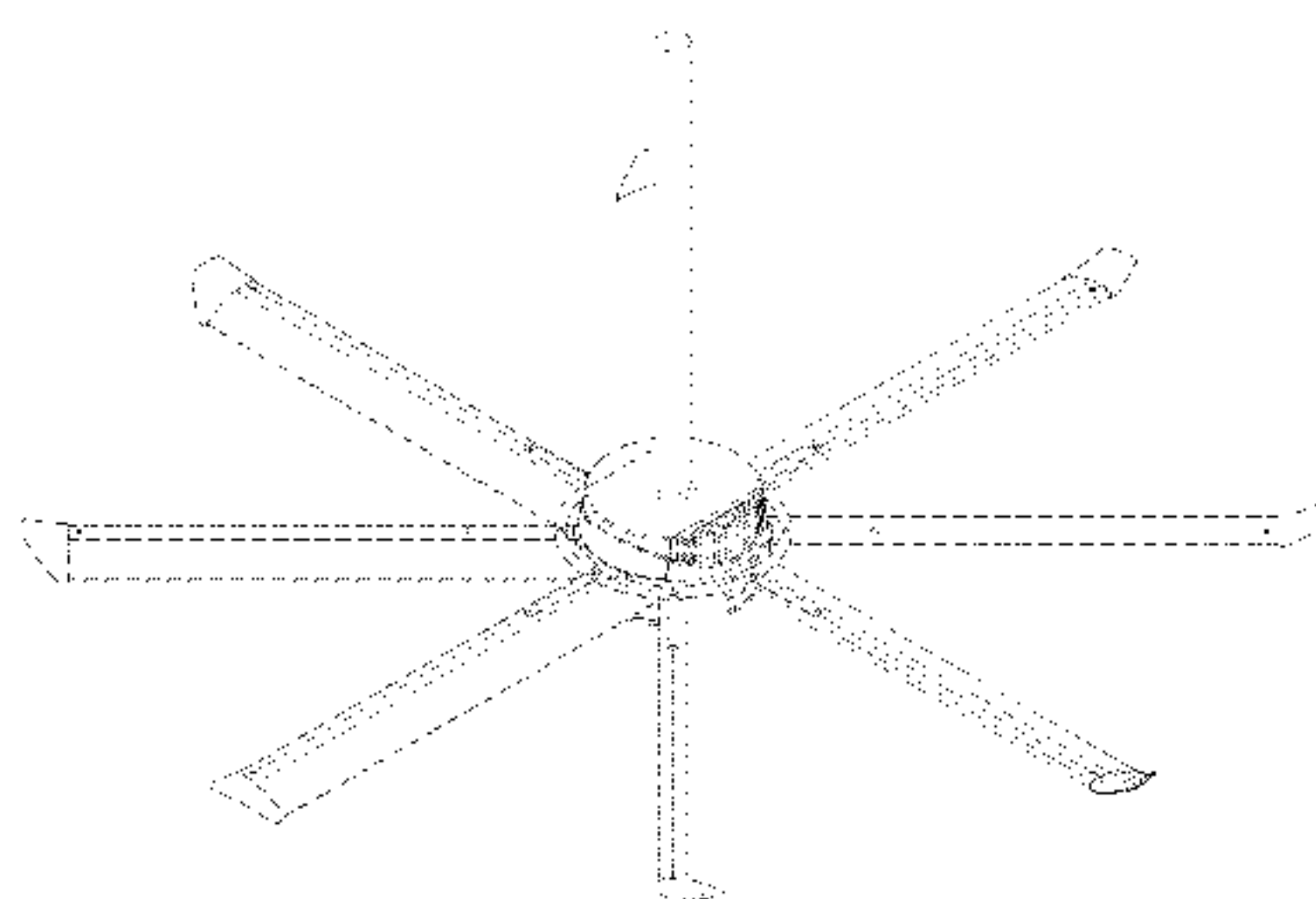
FIG. 6 is a rear view of the winglet;

FIG. 7 is a top view of the winglet; and,

FIG. 8 is a bottom view of the winglet.

The broken lines in the drawings depict environmental subject matter only and form no part of the claimed design.

1 Claim, 8 Drawing Sheets



(56)

References Cited

U.S. PATENT DOCUMENTS

D672,868 S	12/2012	Williams			
D675,313 S *	1/2013	Lindgren	D23/413		
D680,213 S *	4/2013	Spaggiari	D23/413		
8,529,212 B2	9/2013	Smith et al.			
2008/0213097 A1 *	9/2008	Oleson et al.	416/210 R		
2009/0072108 A1	3/2009	Oleson			
2009/0081045 A1 *	3/2009	Scherer et al.	416/214 R		
2009/0148301 A1 *	6/2009	Leahy et al.	416/223 R		
				2009/0162197 A1	6/2009 Klemo et al.
				2012/0128501 A1 *	5/2012 Hoofard et al.
				2012/0177500 A1 *	7/2012 Oleson et al.
				2012/0177509 A1	7/2012 Aynsley et al.
				2012/0187251 A1 *	7/2012 Guida
				2012/0230832 A1 *	9/2012 Stege
				2013/0048793 A1 *	2/2013 Edmond et al.
				2014/0072431 A1 *	3/2014 Smith et al.
				2014/0117158 A1 *	5/2014 Davies et al.
				2014/0117166 A1 *	5/2014 Campbell et al.

* cited by examiner

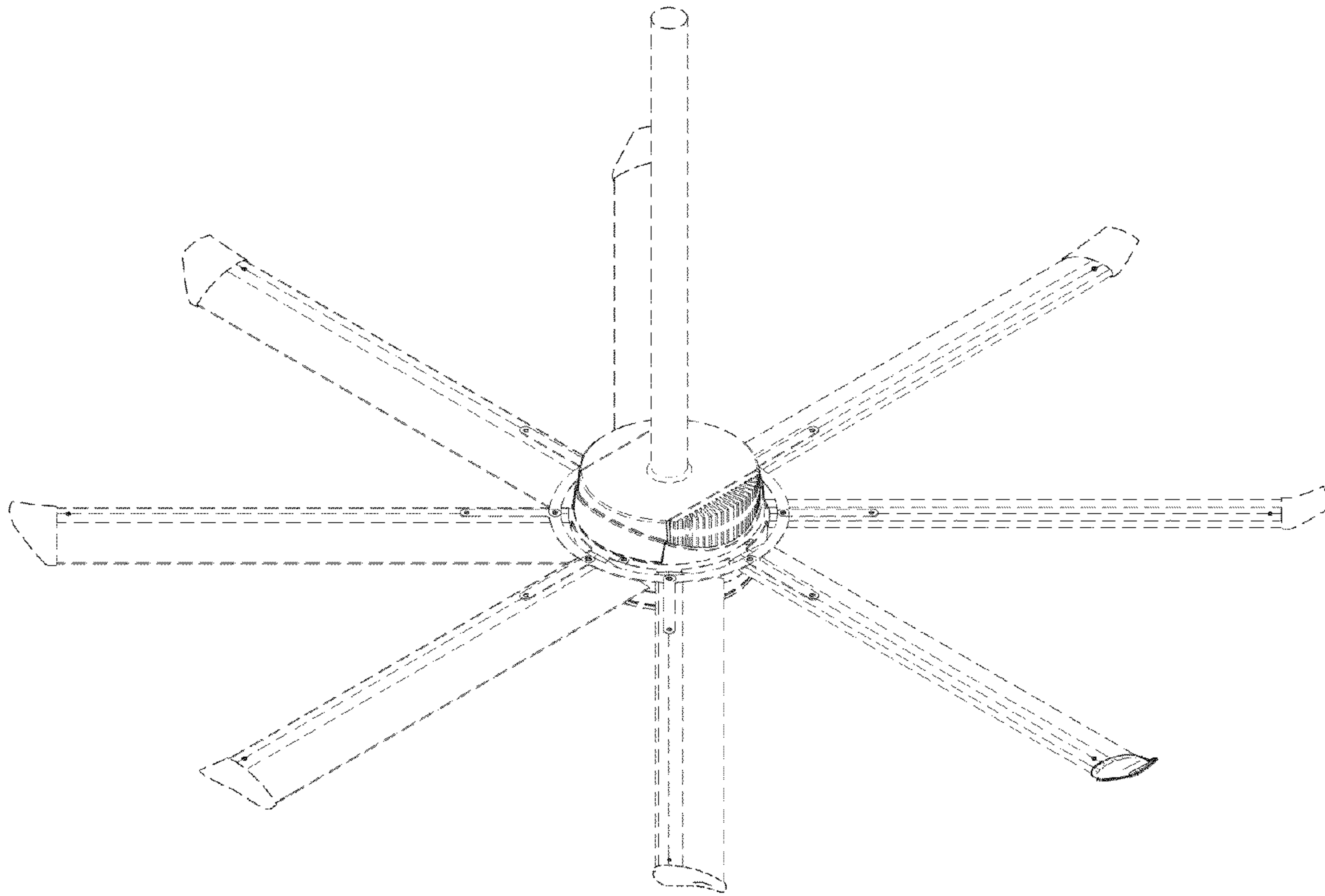


FIG. 1

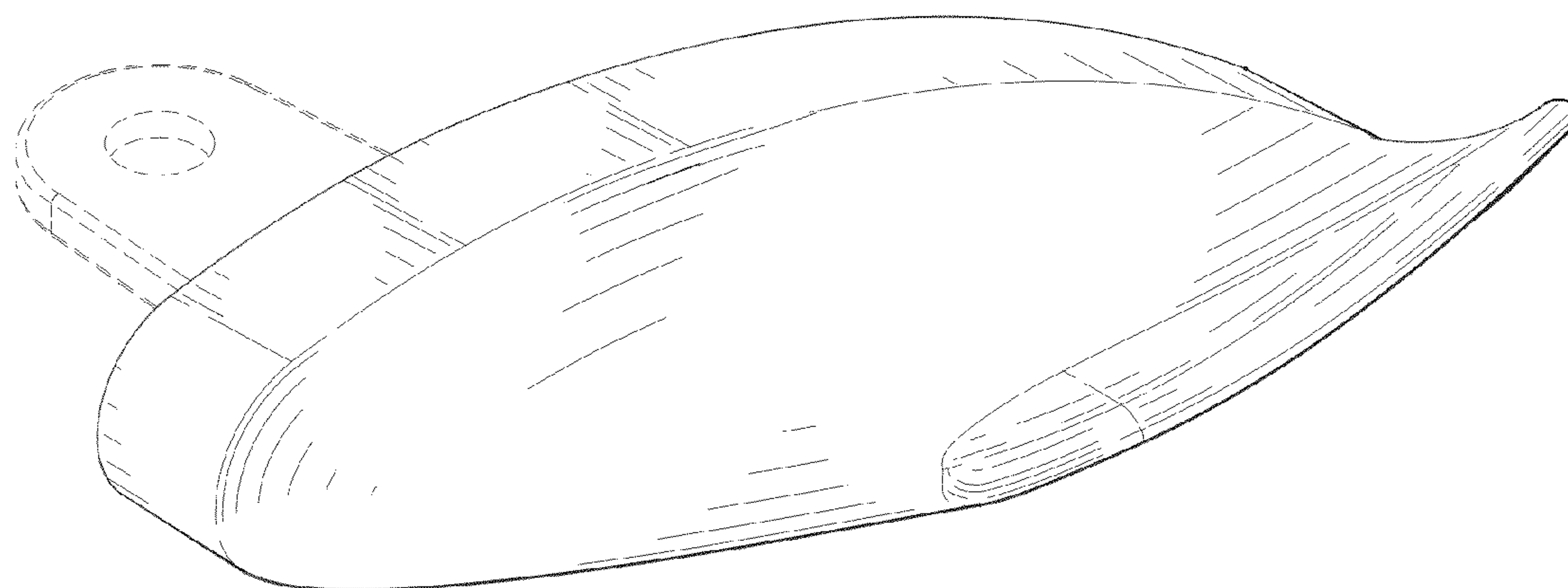


FIG. 2

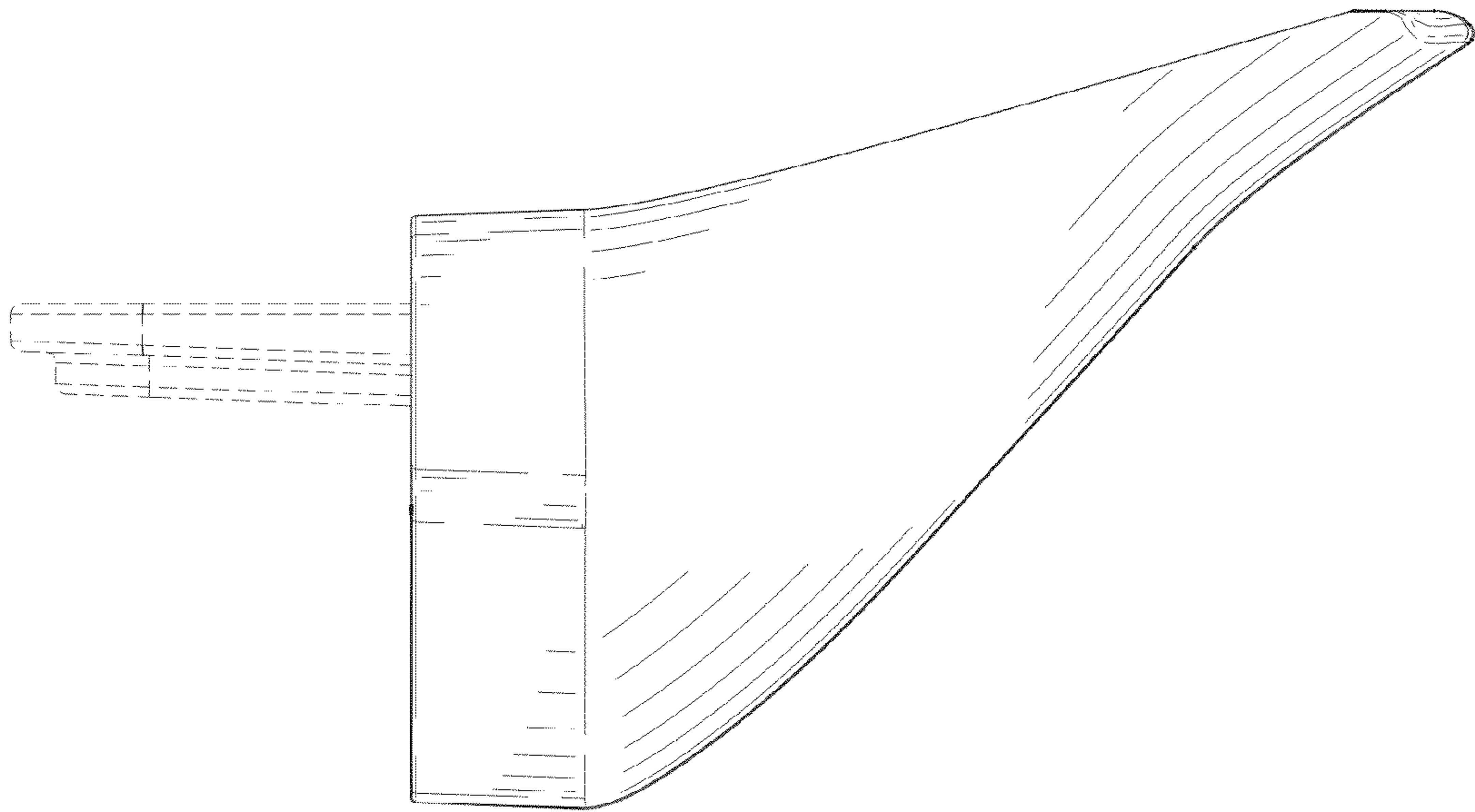


FIG. 3

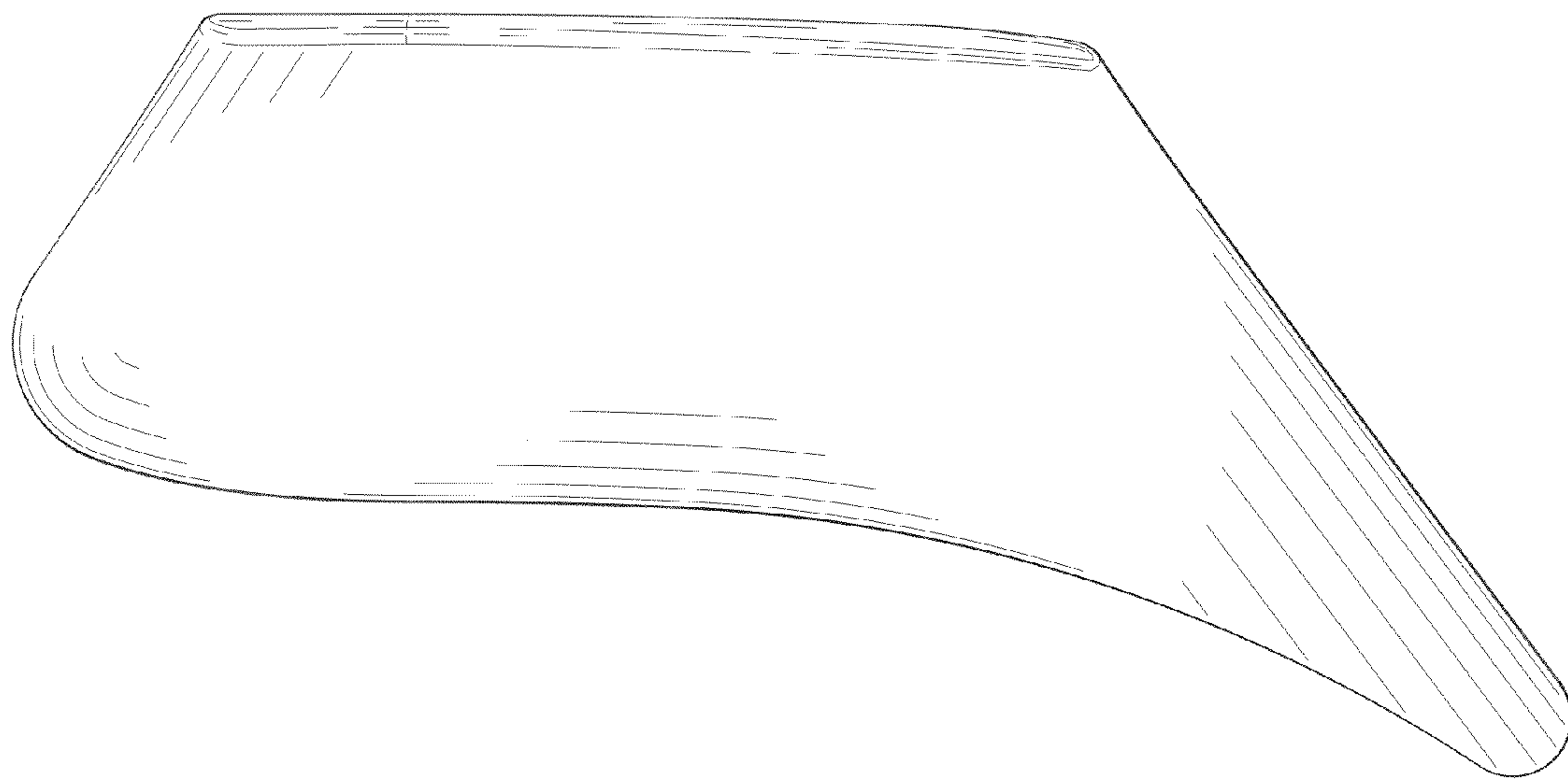


FIG. 4

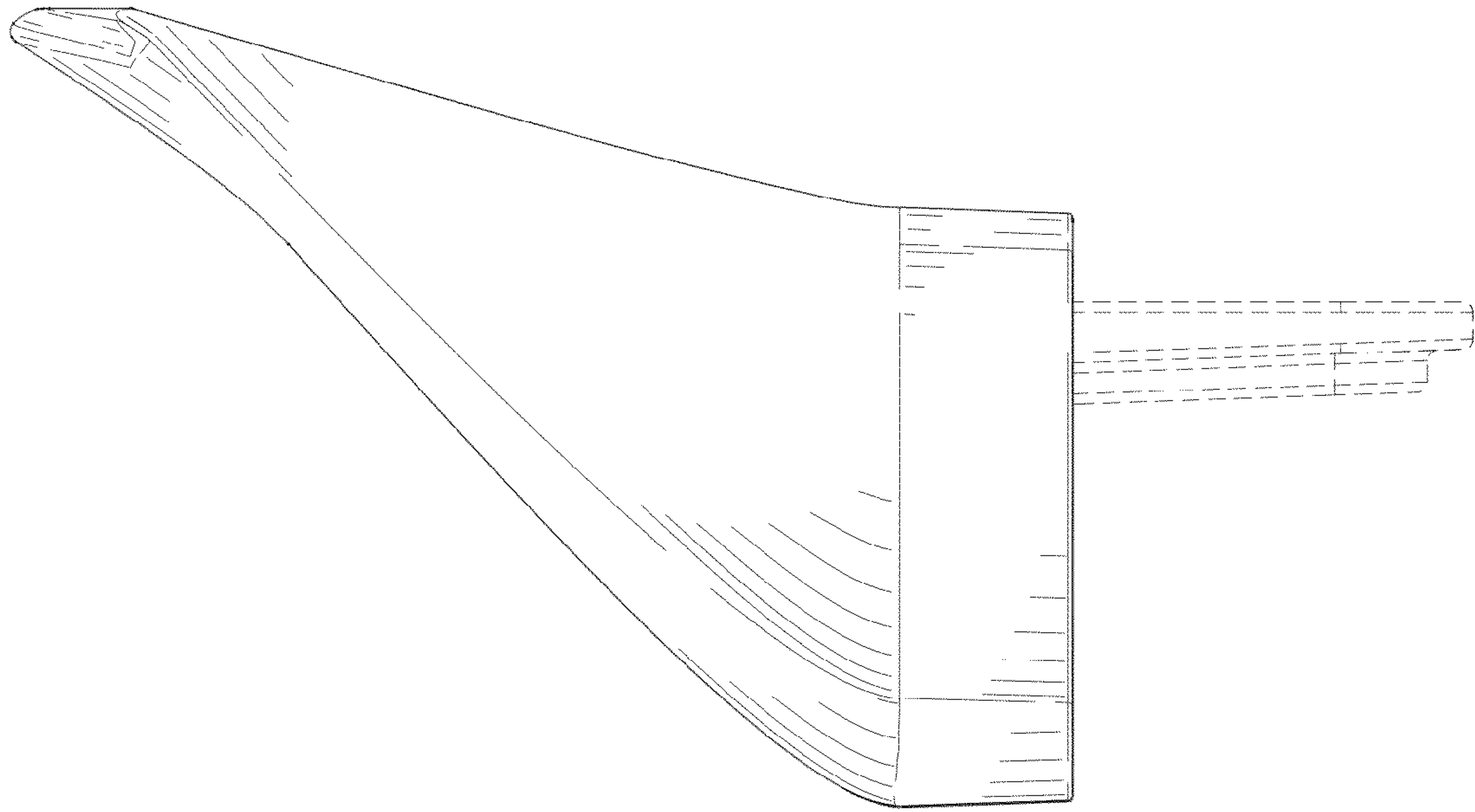


FIG. 5

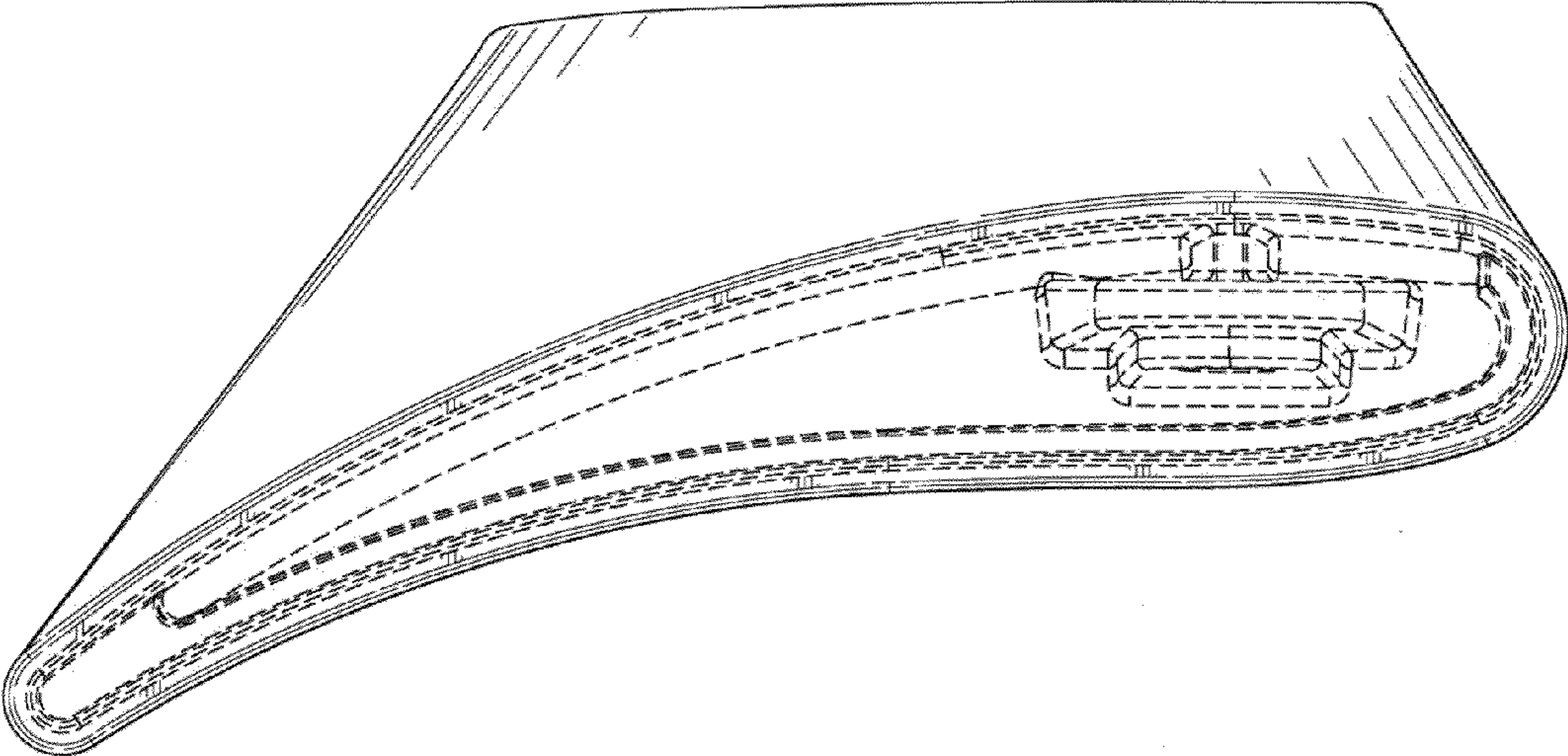


FIG. 6

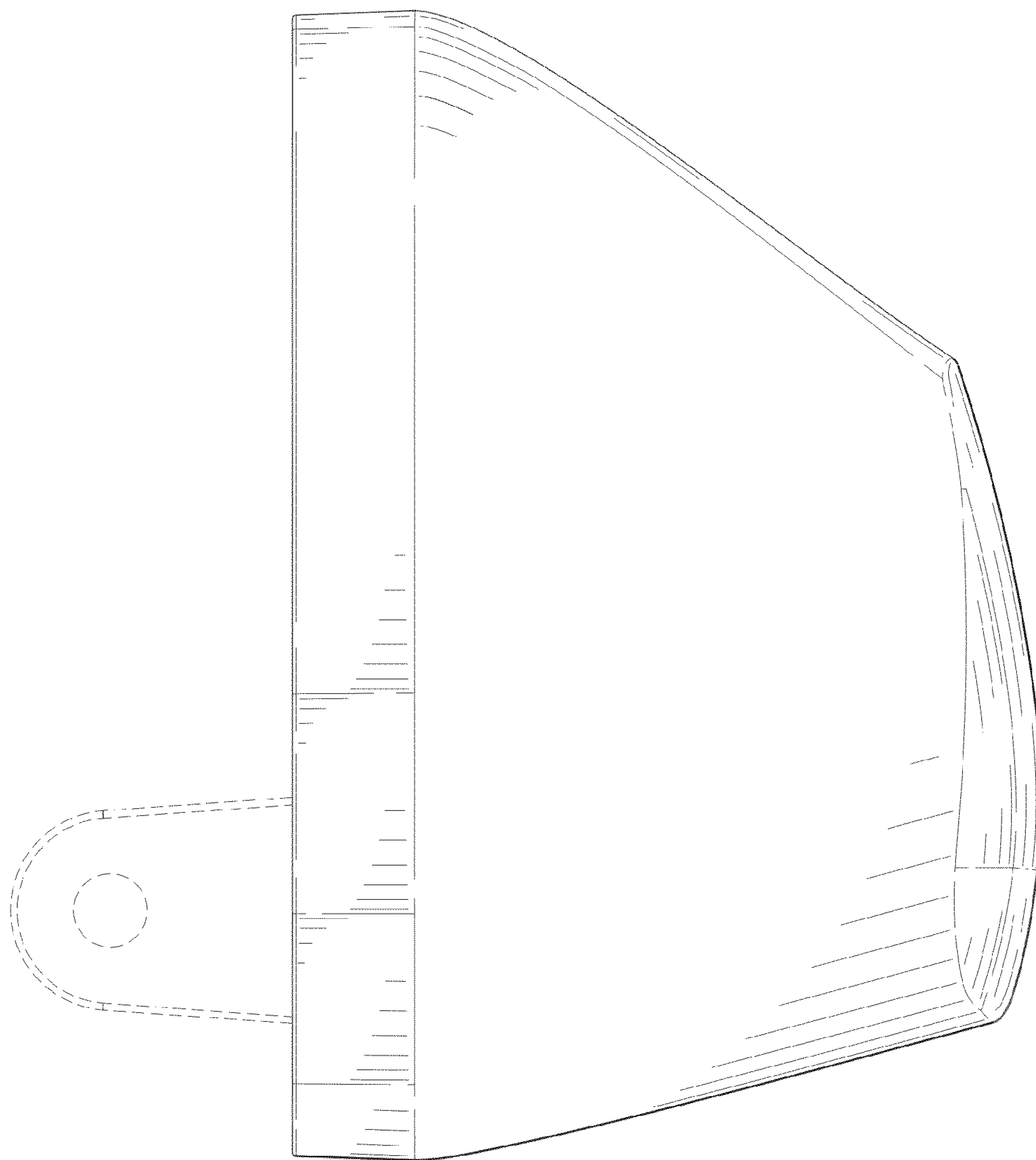


FIG. 7

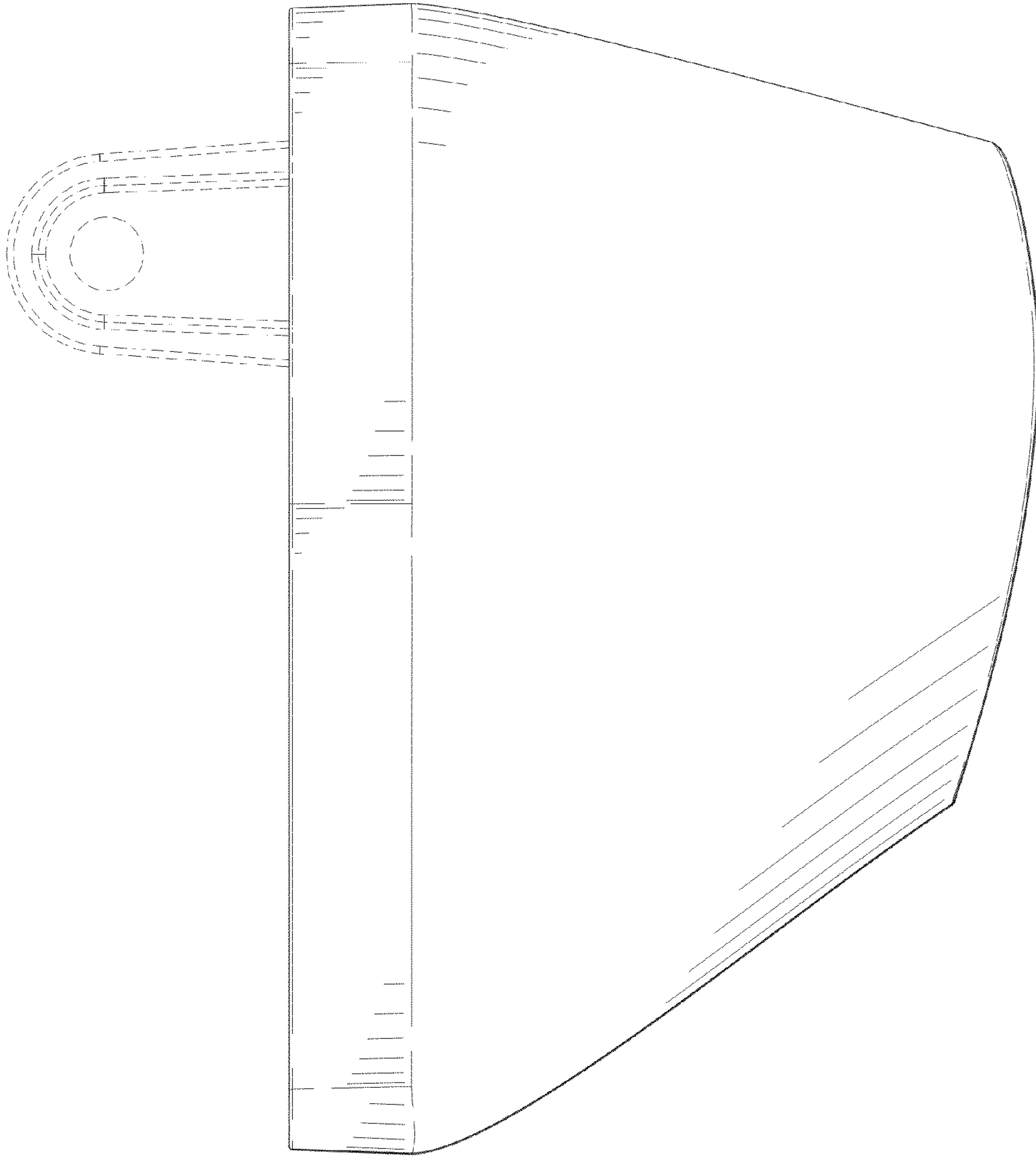


FIG. 8