



US00D723677S

(12) **United States Design Patent**
Broxton, Jr.

(10) **Patent No.:** **US D723,677 S**
(45) **Date of Patent:** **** Mar. 3, 2015**

- (54) **TOILET SEAT AIR FRESHENER**
- (71) Applicant: **Tony G. Broxton, Jr.**, Pace, FL (US)
- (72) Inventor: **Tony G. Broxton, Jr.**, Pace, FL (US)
- (**) Term: **14 Years**
- (21) Appl. No.: **29/463,859**
- (22) Filed: **Mar. 24, 2014**
- (51) **LOC (10) Cl.** **28-99**
- (52) **U.S. Cl.**
USPC **D23/367**
- (58) **Field of Classification Search**
USPC D23/355–369; D28/5, 6; 261/DIG. 17,
261/DIG. 42, DIG. 65, DIG. 88, DIG. 89;
392/386, 390, 394, 395; 239/34, 44,
239/53, 55, 56, 326; D26/14, 17, 98, 9, 22,
D26/24; D11/131.1; D7/509, 522, 524, 537
See application file for complete search history.

- D643,101 S * 8/2011 Abbondanzio et al. D23/366
- D663,403 S * 7/2012 Brandenburg et al. D23/366
- D667,944 S * 9/2012 Richard et al. D23/366
- 8,277,715 B2 10/2012 Arora
- 2009/0235443 A1 9/2009 Arora
- 2011/0209276 A1 9/2011 Lu

* cited by examiner

Primary Examiner — Sandra Snapp
(74) *Attorney, Agent, or Firm* — Paul R. Martin

(57) **CLAIM**
The ornamental design for a toilet seat air freshener, as shown and described.

DESCRIPTION

FIG. 1 is a perspective view of the toilet seat air freshener of my new design showing it attached to the underside of a toilet seat when the seat is in an raised position.

FIG. 2 is a perspective view of the toilet seat air freshener of my new design showing it when the toilet seat is in a down position.

FIG. 3 is an elevation view of the front side when the air freshener of my new design is attached to the underside of a toilet seat.

FIG. 4 is an elevational view of the back side thereof.

FIG. 5 is a right side elevational view thereof.

FIG. 6 is a left side elevational view thereof.

FIG. 7 is a top plan view thereof; and,

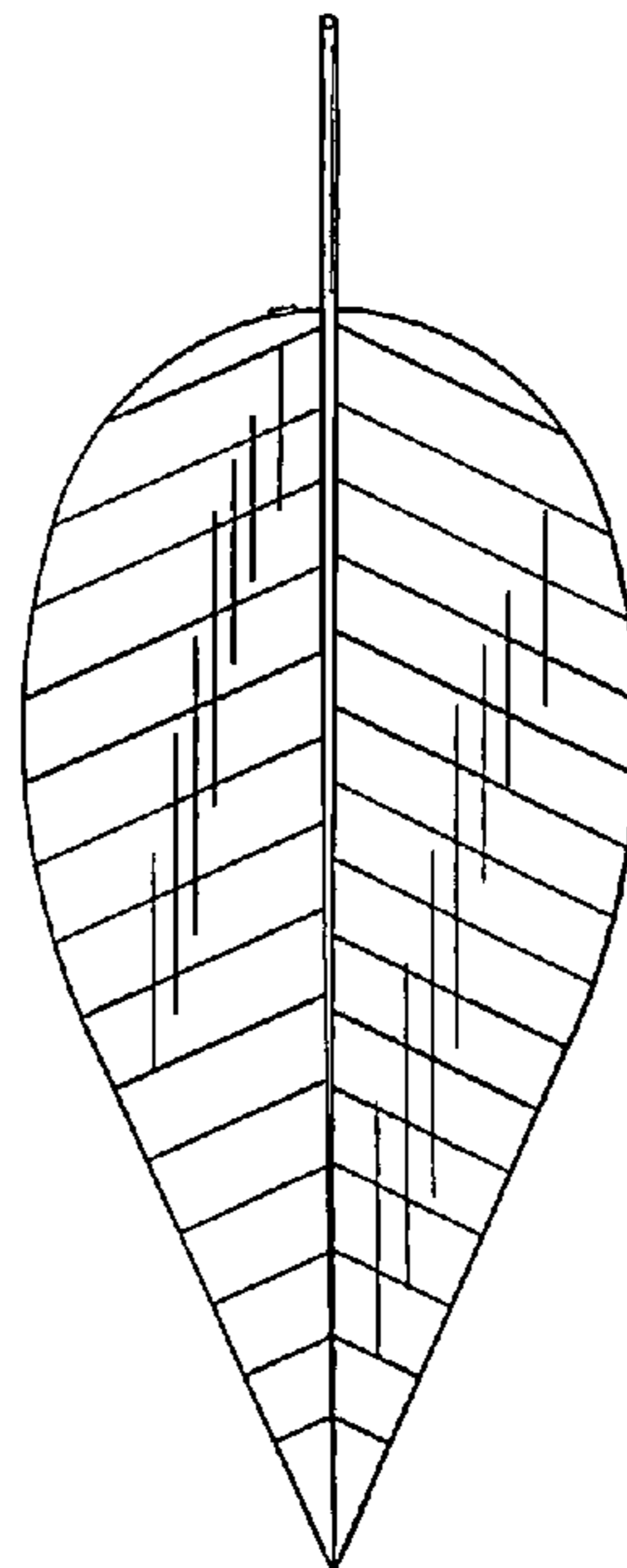
FIG. 8 is a bottom plan view thereof.

The broken line figures in FIGS. 1, and 2, showing conventional toilets with raised and lowered toilet seats, are environmental elements, and form no part of my new design.

(56) **References Cited**
U.S. PATENT DOCUMENTS

D49,741 S	*	10/1916	Husemann	D23/367
D113,841 S	*	3/1939	Hutcheson	D7/555
D379,853 S	*	6/1997	Long et al.	D23/367
D393,901 S	*	4/1998	Kuhn	D23/368
D471,267 S	*	3/2003	Ahn et al.	D23/367
D500,550 S	*	1/2005	Bariou et al.	D23/368
D505,479 S	*	5/2005	Burgeson	D22/125
D511,569 S	*	11/2005	Harbutt et al.	D23/366
D512,496 S	*	12/2005	Harbutt et al.	D23/366
D518,162 S	*	3/2006	Miro	D23/366
D540,932 S	*	4/2007	Burgeson	D23/366
D582,026 S	*	12/2008	Weggelaar	D23/366
D588,688 S	*	3/2009	Lablaine	D23/368

1 Claim, 4 Drawing Sheets



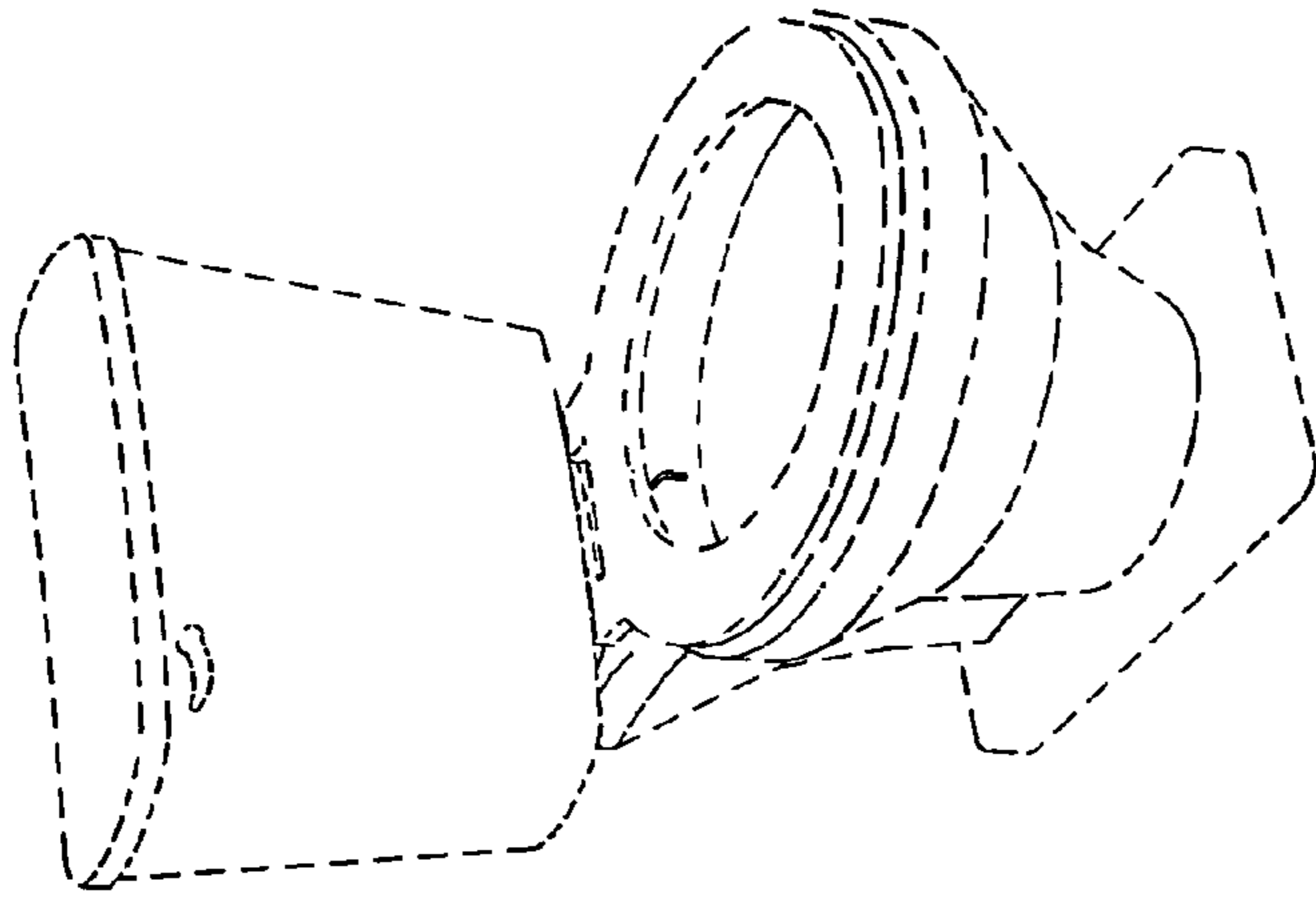


FIG. 2

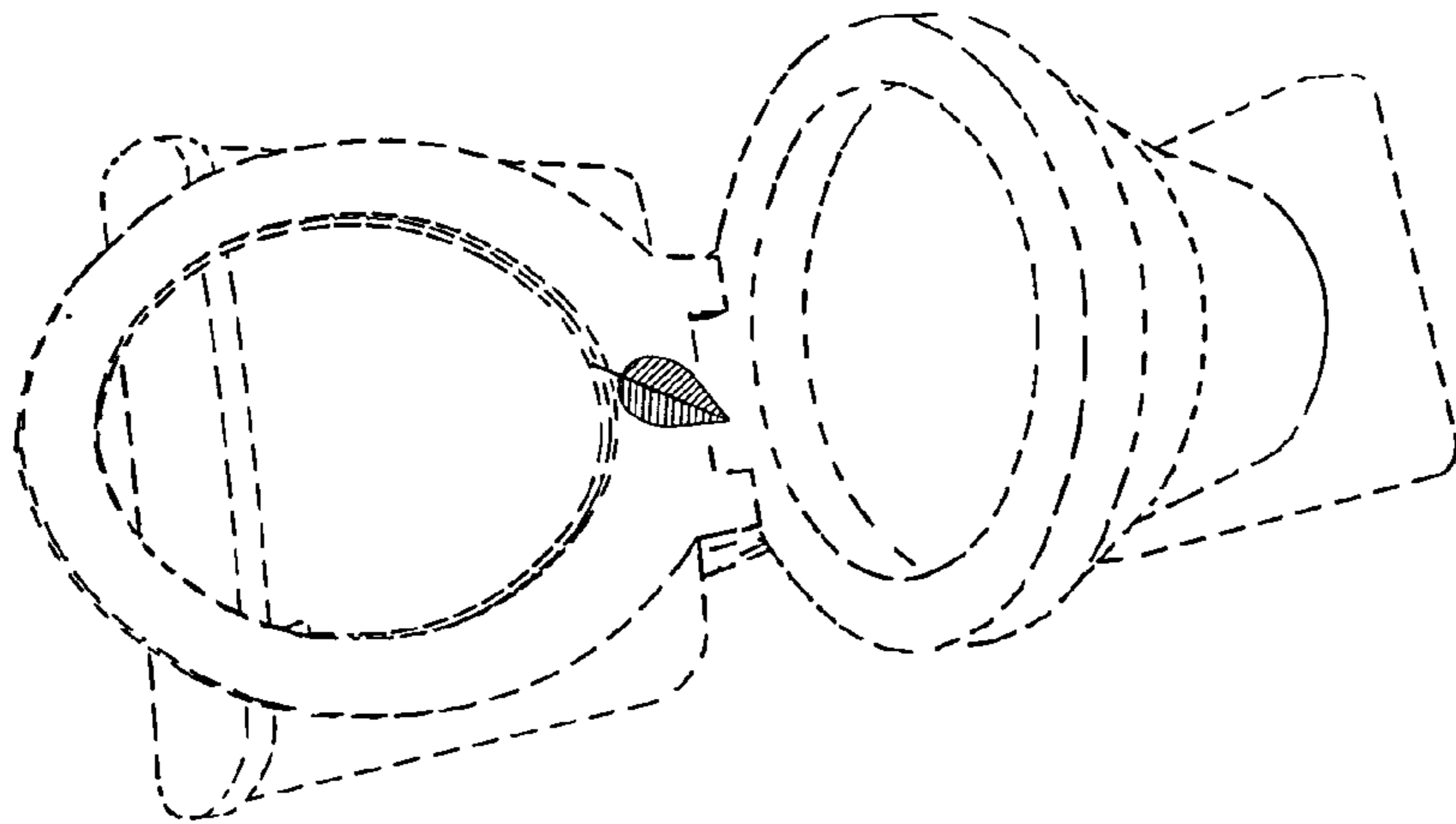


FIG. 1

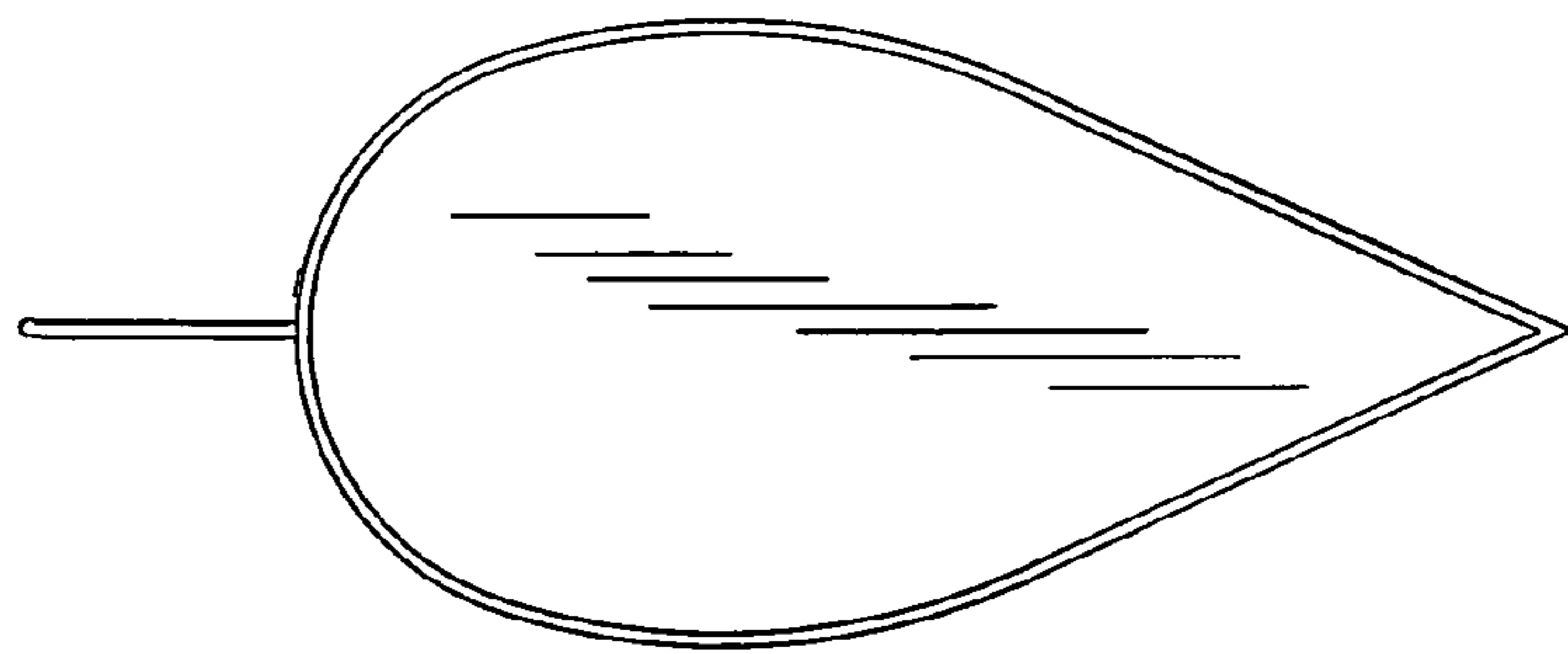


FIG. 4

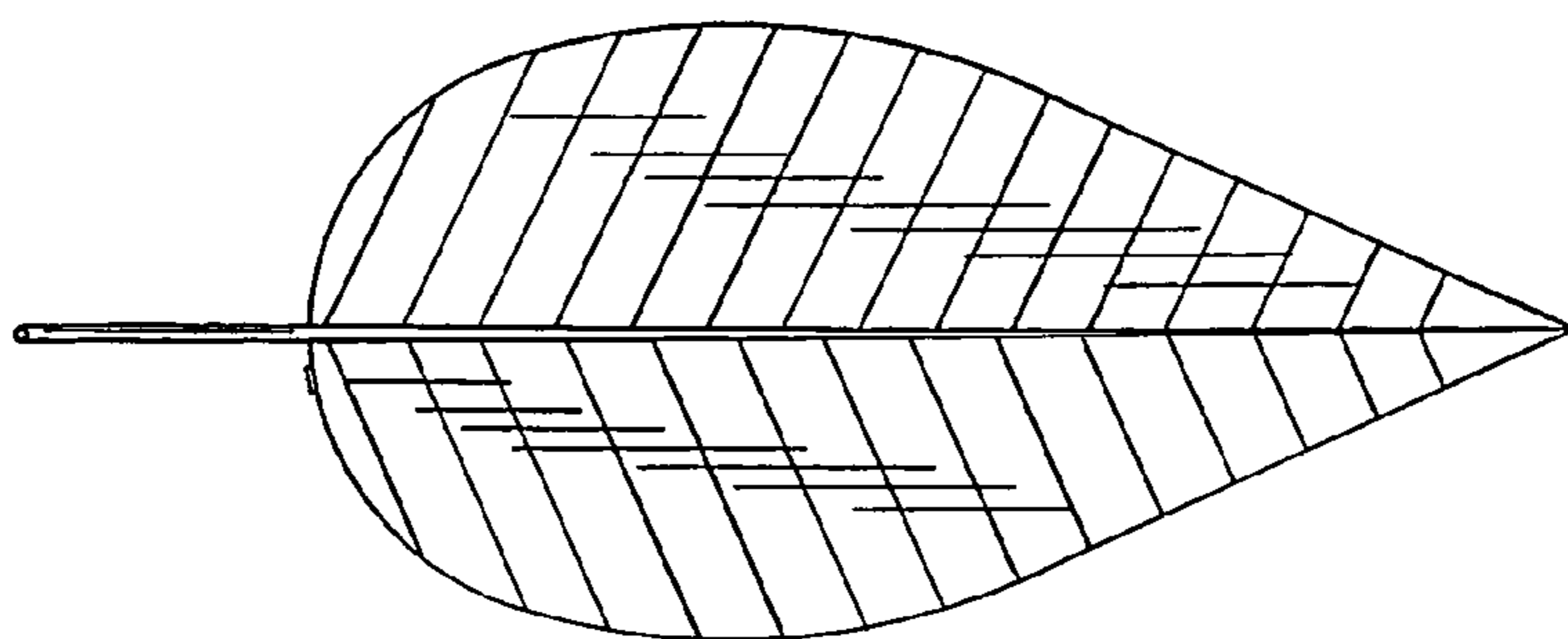


FIG. 3

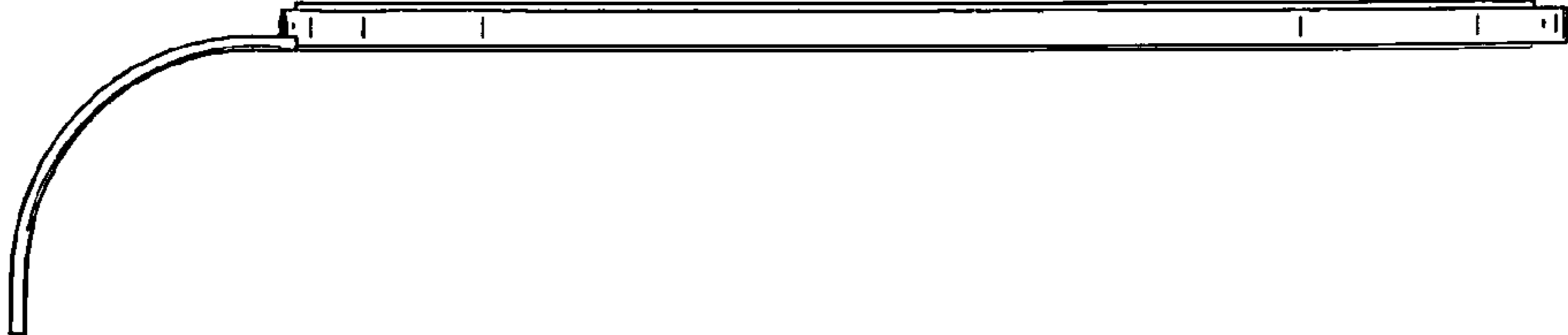


FIG. 6

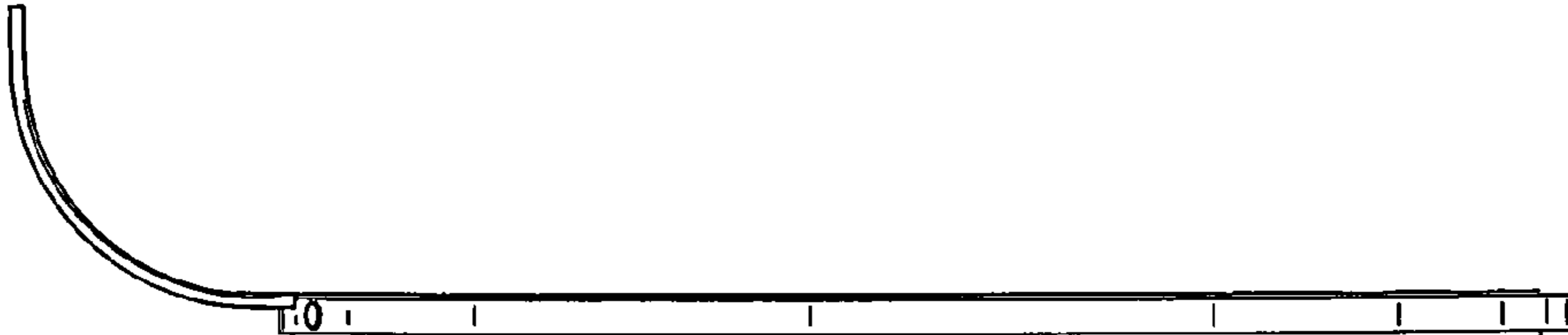


FIG. 5

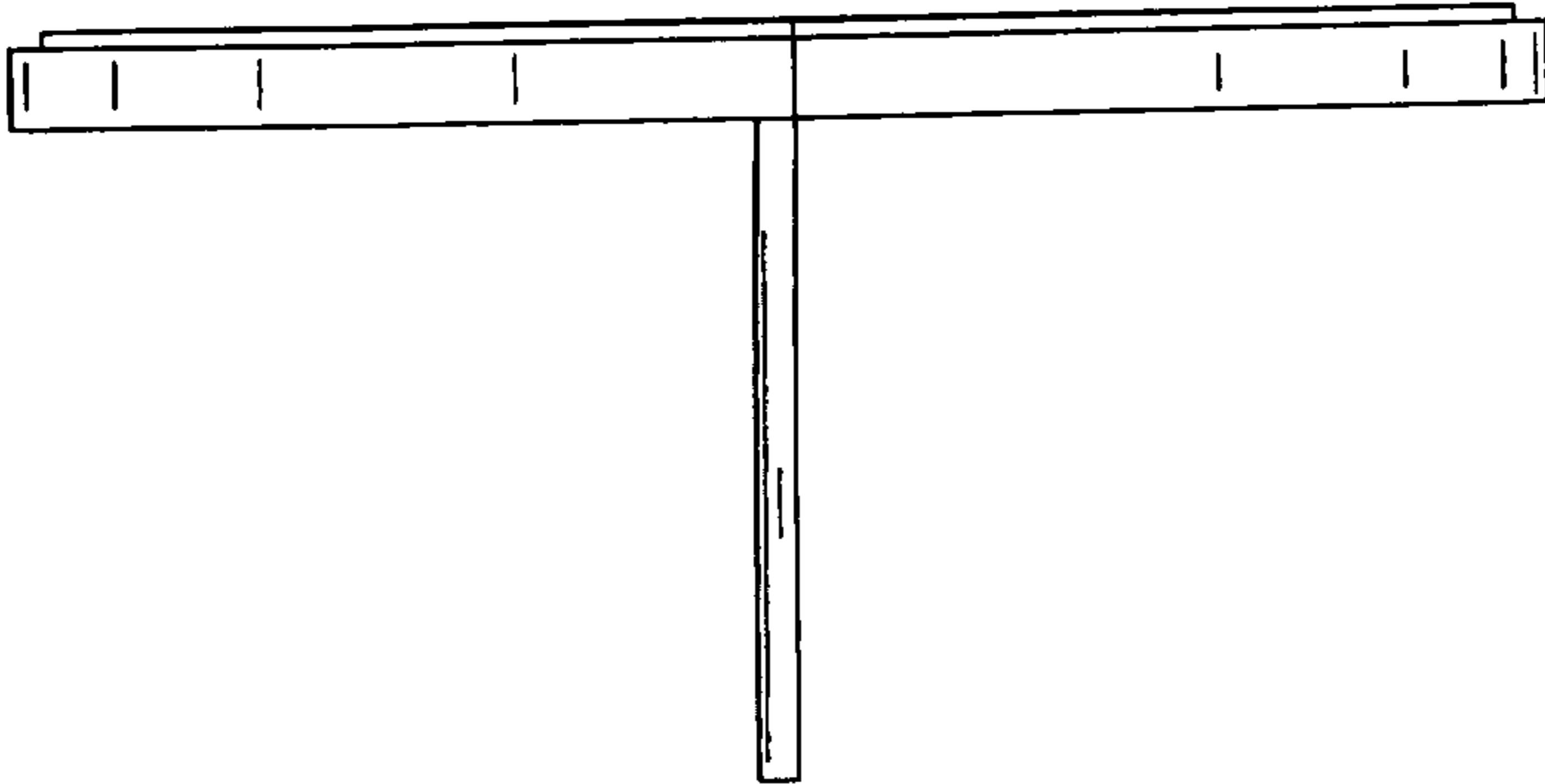


FIG. 8

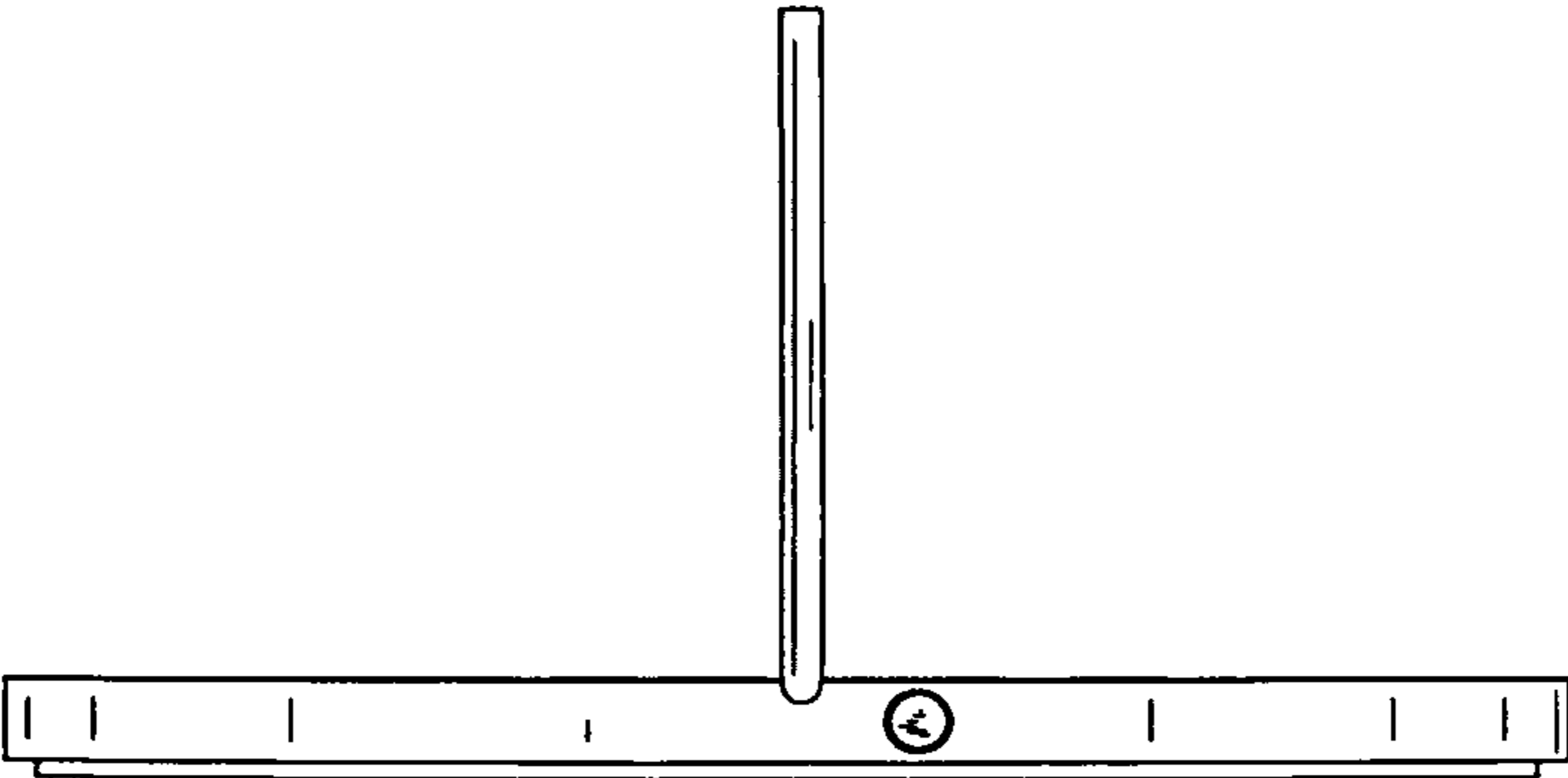


FIG. 7