



US00D723670S

(12) **United States Design Patent**
Lorraine

(10) **Patent No.:** **US D723,670 S**
(45) **Date of Patent:** **** Mar. 3, 2015**

(54) **HOSE AND A FLEXIBLE HOSE GUARD**

(71) Applicant: **Swan Products, LLC**, Totowa, NJ (US)

(72) Inventor: **Steven Lorraine**, Meriden, CT (US)

(73) Assignee: **Swan Products, LLC**, Totowa, NJ (US)

(**) Term: **14 Years**

(21) Appl. No.: **29/471,187**

(22) Filed: **Oct. 29, 2013**

(51) **LOC (10) Cl.** **23-01**

(52) **U.S. Cl.**
USPC **D23/266**

(58) **Field of Classification Search**

USPC D23/205, 213, 223, 224, 229, 230, 259,
D23/262, 263, 266; D24/129; D13/155;
138/103, 105, 109, 118, 118.1, 121,
138/122, 126, 128, 140, 154, 155, 157, 158,
138/167, 173, 177; 285/58, 83, 124.1,
285/124.5, 179, 179.1

See application file for complete search history.

(56) **References Cited**

U.S. PATENT DOCUMENTS

1,509,802 A	9/1924	Weigand	
2,185,741 A	1/1940	Sorg et al.	
2,266,211 A	12/1941	Kaiser et al.	
2,640,502 A	6/1953	Powers	
2,825,588 A	3/1958	Howard	
3,017,203 A	1/1962	MacLeod	
D296,581 S	7/1988	Hattori et al.	
4,867,485 A	9/1989	Seckel	
4,962,582 A	10/1990	Puls	
D323,207 S *	1/1992	Cole et al.	D23/266
5,143,409 A	9/1992	Lalikos et al.	
5,315,748 A	5/1994	Seckel	
5,316,348 A	5/1994	Franklin et al.	
5,333,650 A *	8/1994	Folkman	138/109
5,368,235 A	11/1994	Drozdoiff et al.	
5,390,272 A *	2/1995	Repta et al.	385/100
5,498,043 A	3/1996	Goldenberg	
D369,409 S *	4/1996	Salter	D24/129
5,626,369 A	5/1997	Shifman et al.	

5,857,711 A	1/1999	Comin-Dumong et al.	
5,894,866 A	4/1999	Horst et al.	
D409,729 S *	5/1999	Dreyfus et al.	D23/266
5,996,639 A	12/1999	Gans et al.	
D445,895 S *	7/2001	Svendsen	D24/112
D501,539 S *	2/2005	Dyer, III	D23/262
D512,492 S	12/2005	Lipscomb et al.	
7,108,292 B2 *	9/2006	Lipscomb et al.	285/272
D570,953 S *	6/2008	Patterson et al.	D23/213
D586,435 S *	2/2009	Reckseen	D23/266
D591,407 S *	4/2009	Youssef et al.	D23/266
D614,270 S *	4/2010	Green et al.	D23/266
D616,969 S *	6/2010	Zore	D23/262
D634,087 S *	3/2011	SgROI et al.	D32/40
D707,334 S *	6/2014	Hernandez et al.	D23/266
2004/0036285 A1 *	2/2004	Guivarc'h et al.	285/319
2007/0113912 A1 *	5/2007	Lawrence	138/121
2008/0289231 A1 *	11/2008	Green et al.	40/316
2009/0165865 A1	7/2009	Parker	

FOREIGN PATENT DOCUMENTS

GB 2091498 A1 7/1982

* cited by examiner

Primary Examiner — Eric Goodman

Assistant Examiner — Daniel J Domino

(74) *Attorney, Agent, or Firm* — Novak Druce Connolly
Bove + Quigg LLP

(57) **CLAIM**

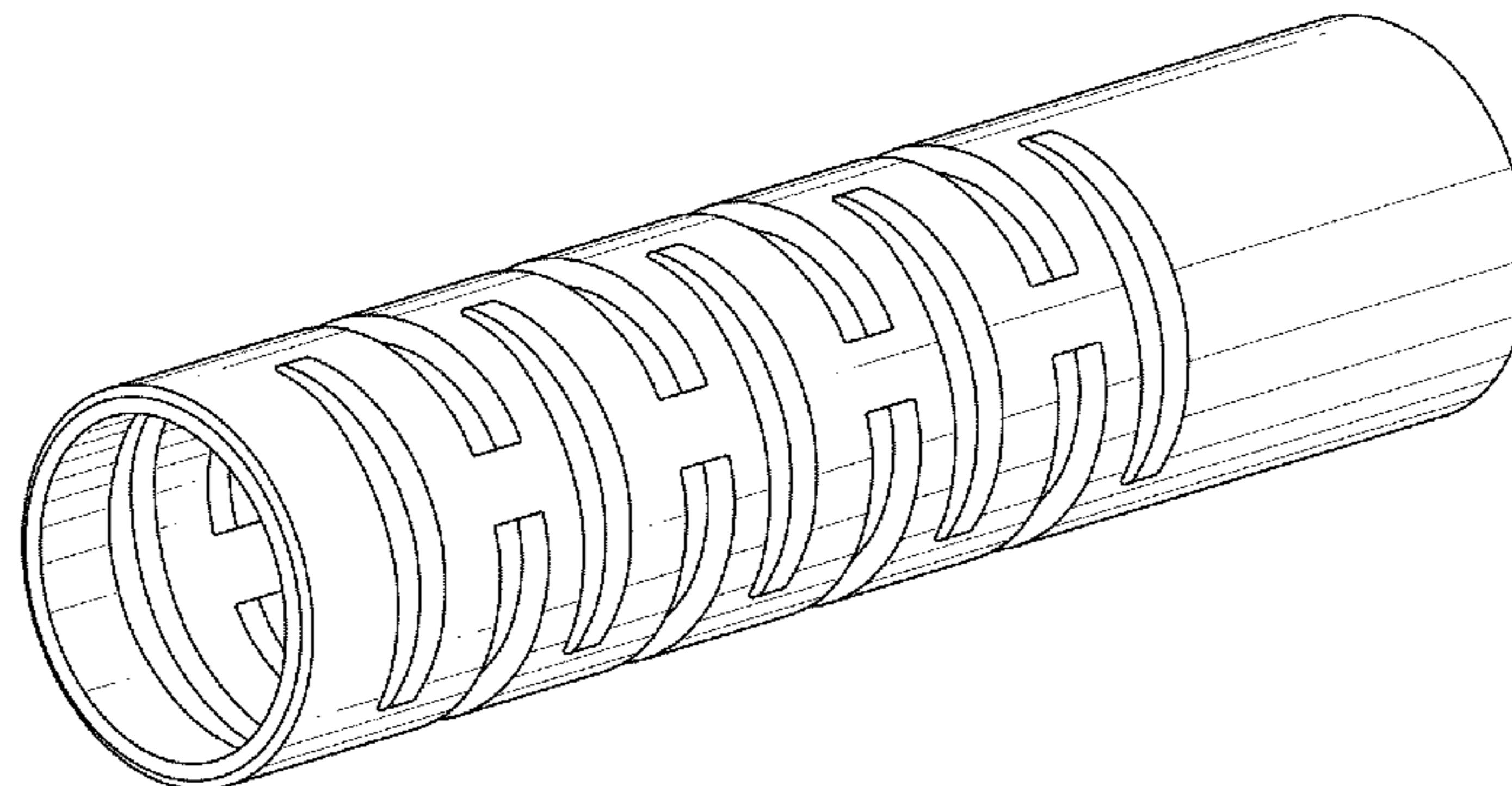
The ornamental design for a hose and a flexible hose guard, as shown and described.

DESCRIPTION

The present application is related to U.S. patent application Ser. No. 13/308,070 filed Nov. 30, 2011. The aforementioned patent application is incorporated by reference herein in its entirety for any purpose whatsoever.

FIG. 1 is a perspective view of a flexible hose guard;
FIG. 2 is a side view thereof;
FIG. 3 is a side view, rotated 90 degrees from FIG. 2;
FIG. 4 is an end view thereof; and,
FIG. 5 is a cross-section view taken along the line 5-5 in FIG. 3.

1 Claim, 3 Drawing Sheets



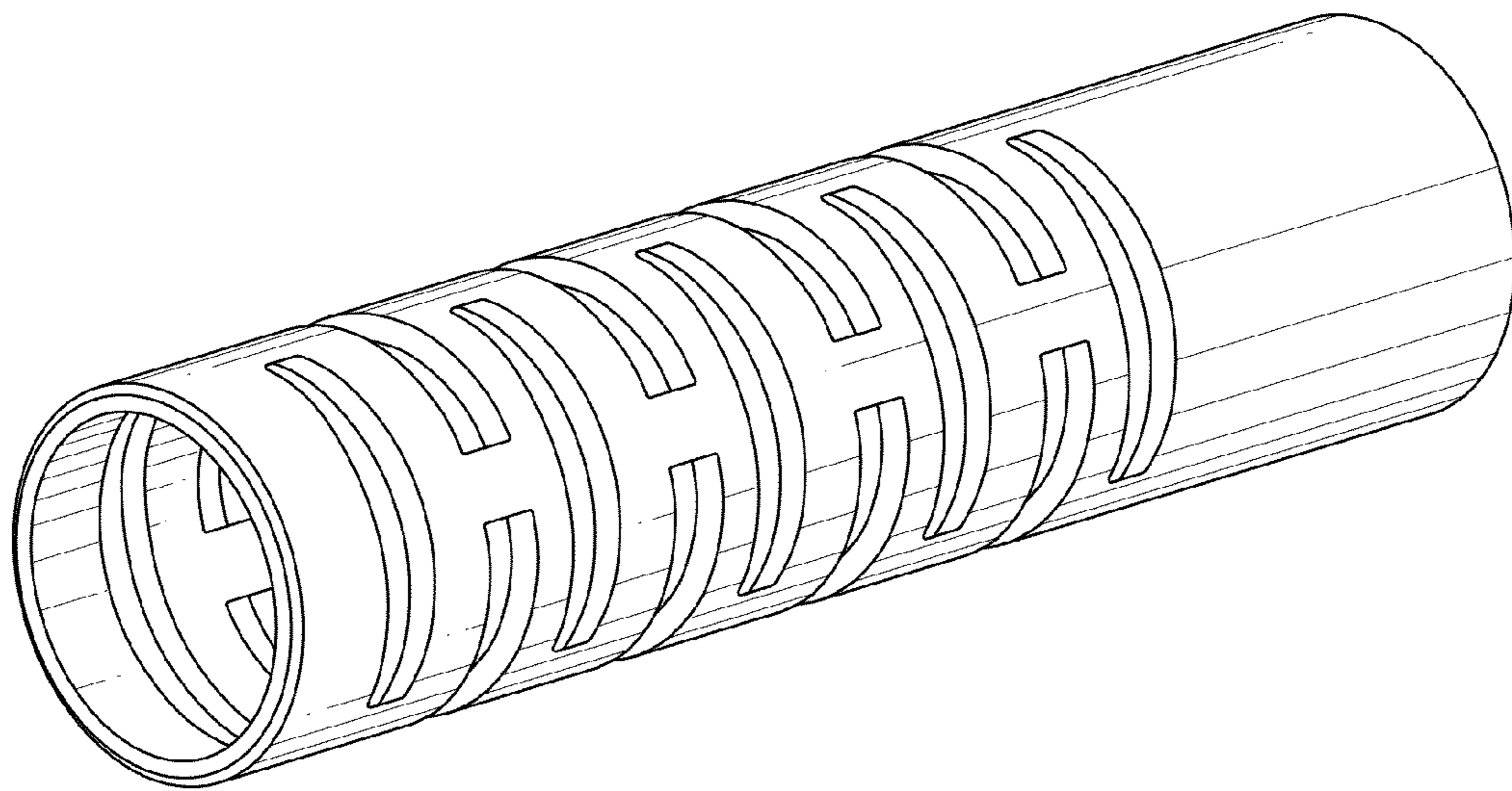


FIG. 1

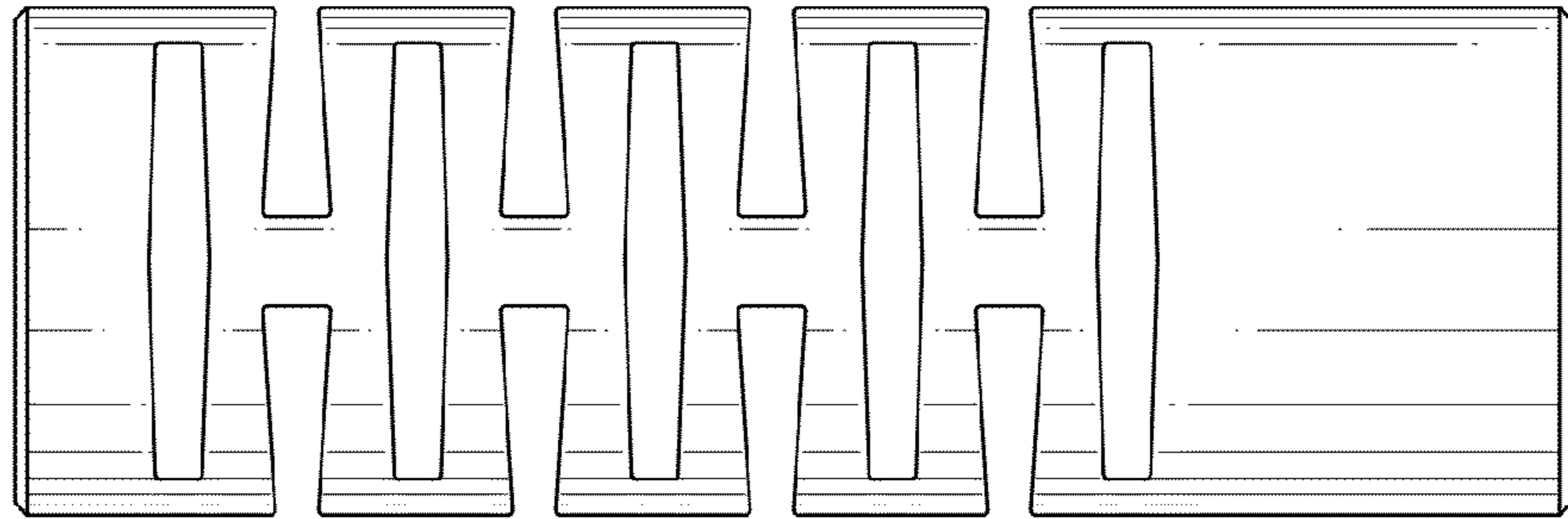


FIG. 2

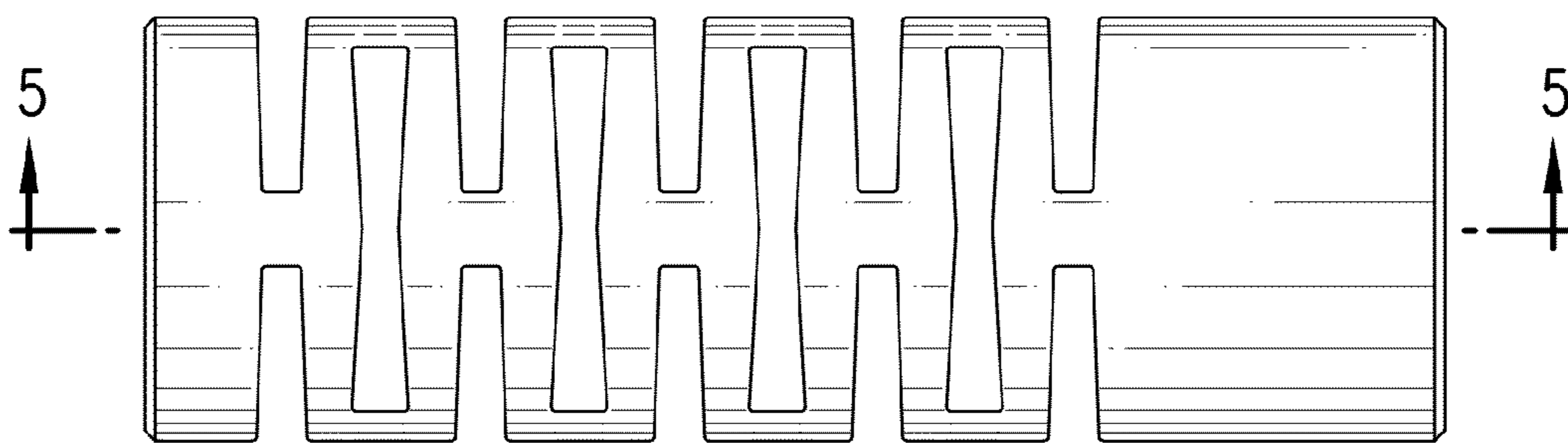


FIG. 3

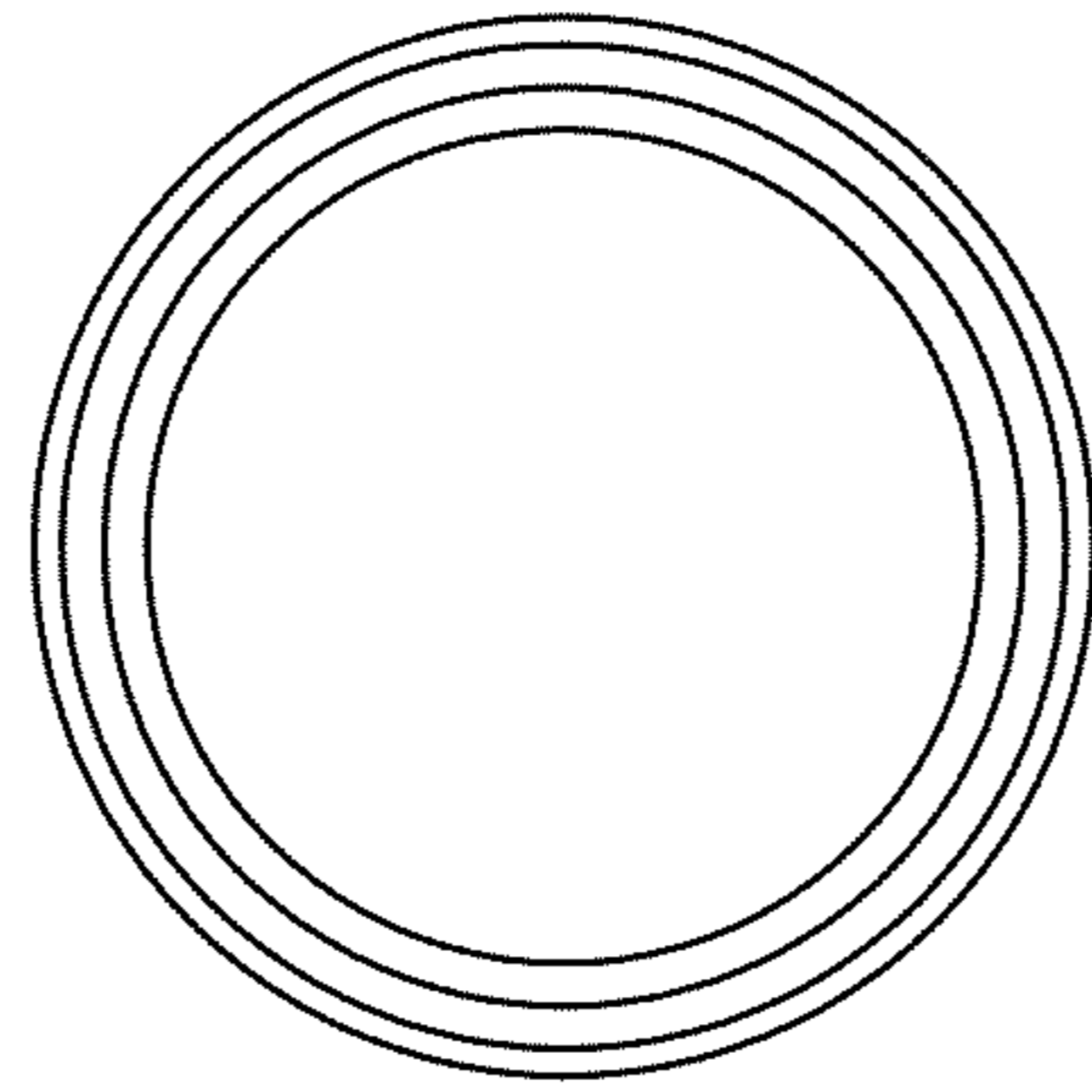


FIG. 4

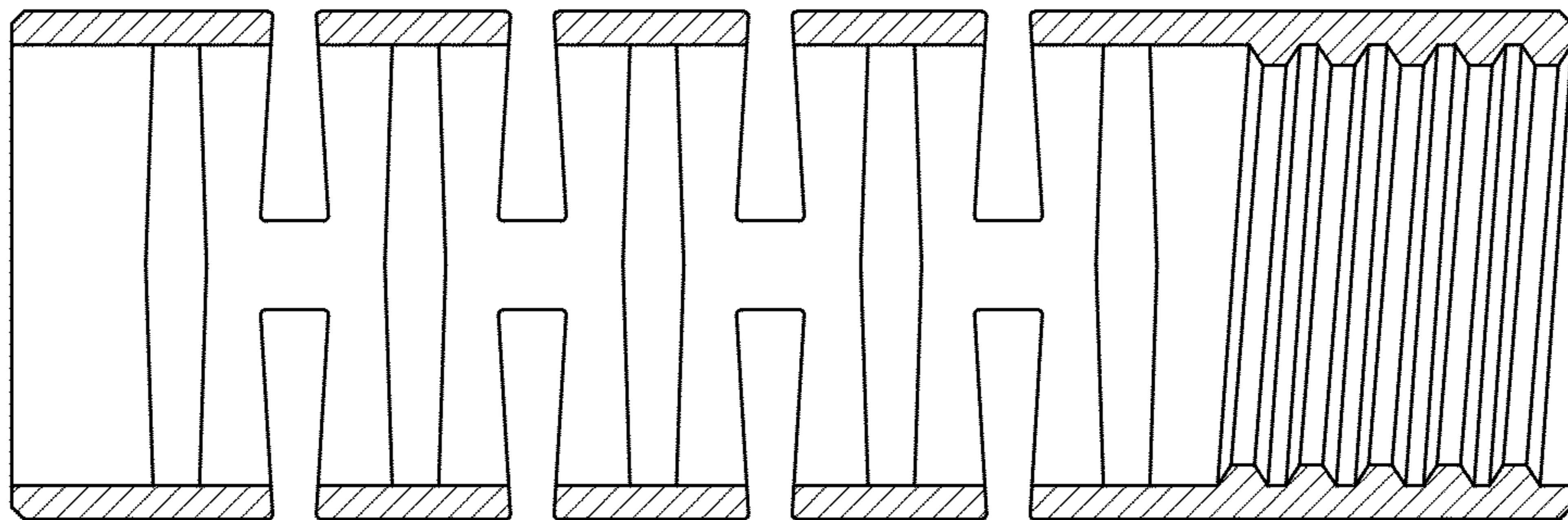


FIG. 5