



US00D723668S

(12) **United States Design Patent**
Locke

(10) **Patent No.:** **US D723,668 S**
(45) **Date of Patent:** **** Mar. 3, 2015**

- (54) **HOSE PROTECTION DEVICE**
- (71) Applicant: **Steven C. Locke**, Wichita, KS (US)
- (72) Inventor: **Steven C. Locke**, Wichita, KS (US)
- (**) Term: **14 Years**
- (21) Appl. No.: **29/434,578**
- (22) Filed: **Oct. 15, 2012**
- (51) **LOC (10) Cl.** **23-01**
- (52) **U.S. Cl.**
USPC **D23/266**
- (58) **Field of Classification Search**
USPC D23/213, 223, 224, 229, 230, 259, 263,
D23/266; D24/129; D13/155; 138/103, 105,
138/109, 118, 118.1, 121, 122, 126, 128,
138/140, 154, 155, 157, 158, 167, 173,
138/177; 285/58, 83, 124.1, 124.5, 179,
285/179.1
See application file for complete search history.

4,679,294	A *	7/1987	Lomax et al.	29/460
4,979,679	A *	12/1990	Downs	239/548
D351,015	S *	9/1994	Caceres et al.	D23/213
6,006,399	A *	12/1999	Massaro	15/315
6,230,746	B1 *	5/2001	Ions et al.	138/106
6,263,903	B1 *	7/2001	Sjoberg	137/364
D459,434	S *	6/2002	Fauquet	D23/213
D459,435	S *	6/2002	Fauquet	D23/213
D480,453	S *	10/2003	Filer	D23/262
7,021,052	B1 *	4/2006	Hicks	60/313
8,262,562	B2 *	9/2012	Takada	600/139
8,360,109	B2 *	1/2013	Johnson	138/120
D709,994	S *	7/2014	King et al.	D23/259
2012/0204992	A1 *	8/2012	Park et al.	138/140
2013/0061973	A1 *	3/2013	Zerbes et al.	138/109

* cited by examiner

Primary Examiner — Eric Goodman
Assistant Examiner — Daniel J Domino
(74) *Attorney, Agent, or Firm* — Dale J. Ream

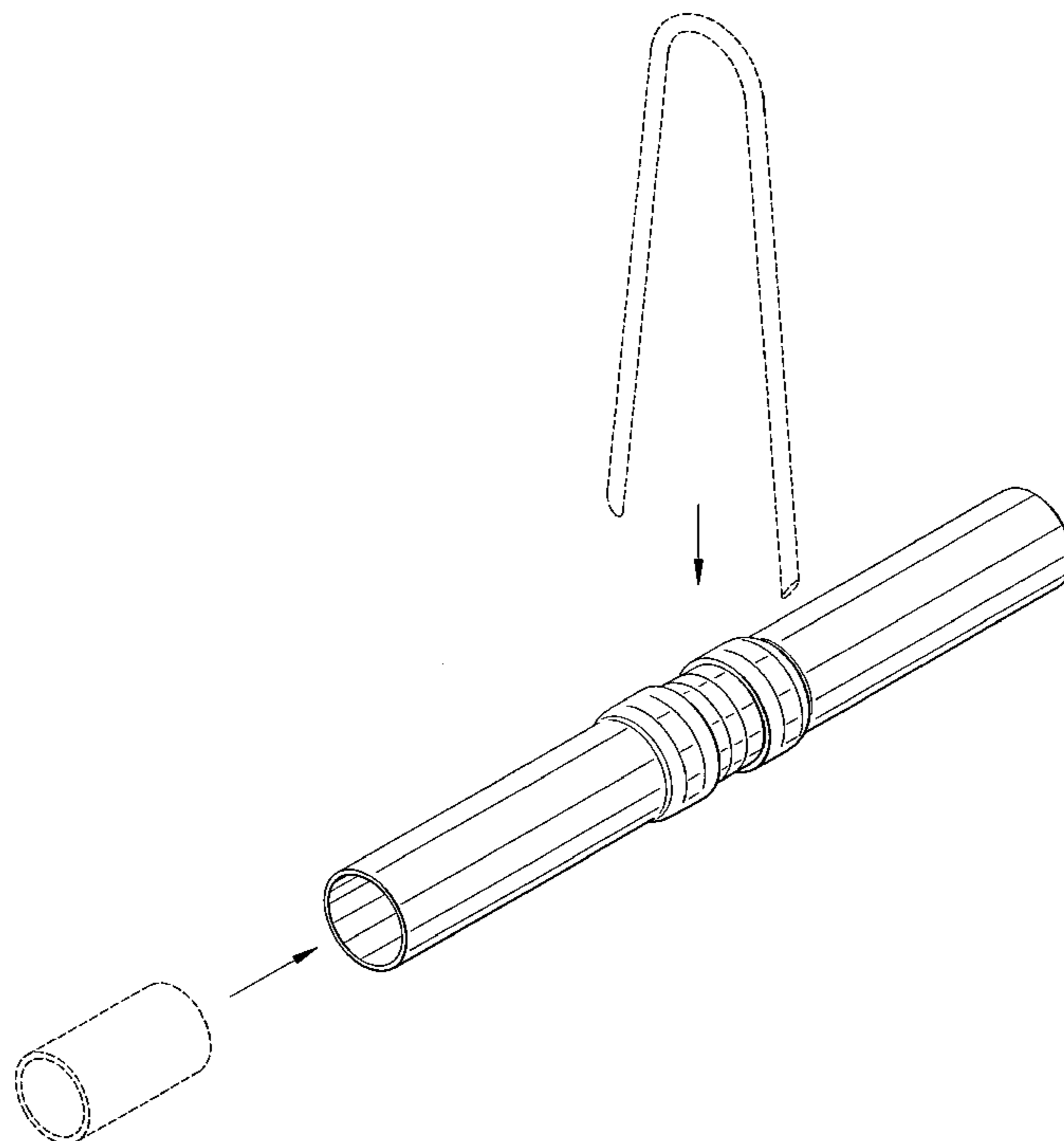
(57) **CLAIM**
The ornamental design for a hose protection device, as shown and described.

DESCRIPTION

FIG. 1 is a perspective view of a hose protection device showing my new design;
FIG. 2 is a front view, the back view, top view, and bottom view being a mirror image thereof; and,
FIG. 3 is a left side view, the right side view being a mirror image thereof.
In the drawings, the broken lines showing a ground anchor illustrate environment and form no part of the claimed design.

1 Claim, 2 Drawing Sheets

- (56) **References Cited**
U.S. PATENT DOCUMENTS
- | | | | | |
|-----------|-----|---------|-----------------|-----------|
| 126,069 | A * | 4/1872 | McBurney et al. | 138/126 |
| 151,166 | A * | 5/1874 | Shaw et al. | 285/55 |
| 749,338 | A * | 1/1904 | Taylor et al. | 285/332 |
| 1,978,774 | A * | 10/1934 | Voss et al. | 138/118.1 |
| 2,471,209 | A * | 5/1949 | Gazdik | 138/103 |
| D179,697 | S * | 2/1957 | Price et al. | D23/223 |
| 2,930,408 | A * | 3/1960 | Stevens | 138/103 |
| 3,598,156 | A * | 8/1971 | Ulmer et al. | 138/143 |
| 4,215,384 | A * | 7/1980 | Elson | 361/215 |



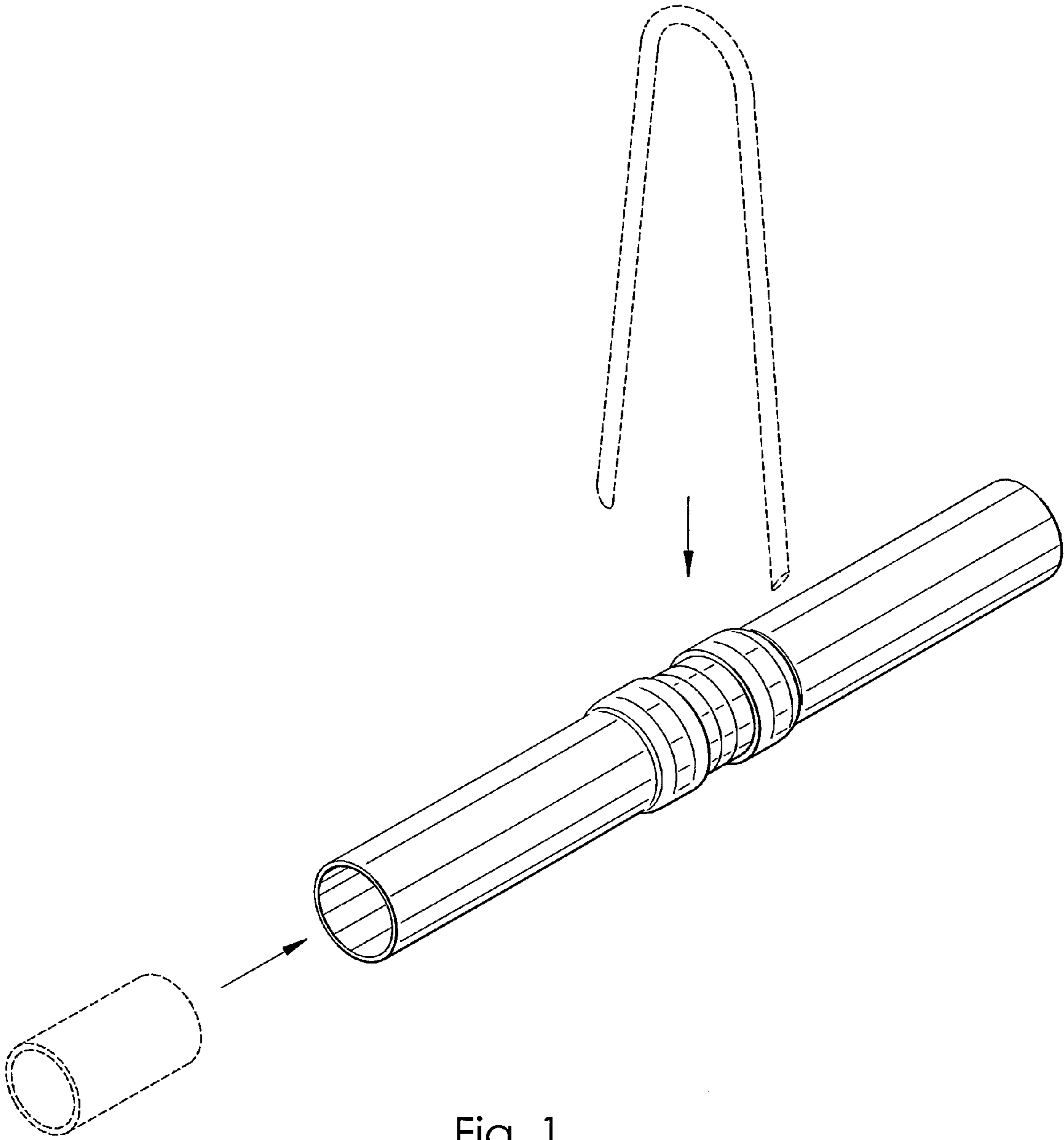


Fig. 1

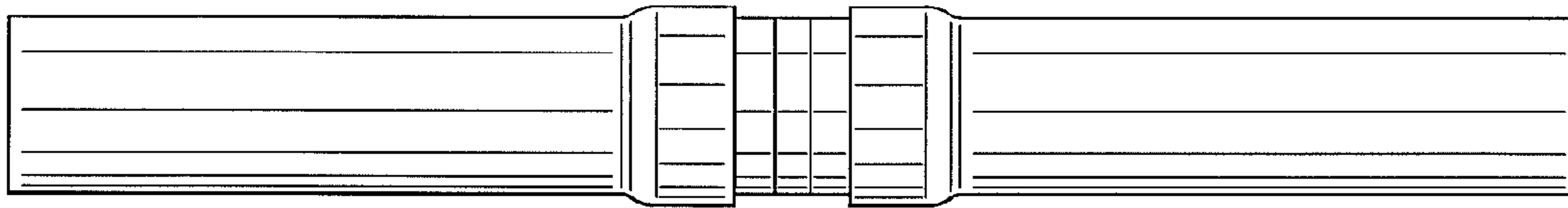


Fig. 2

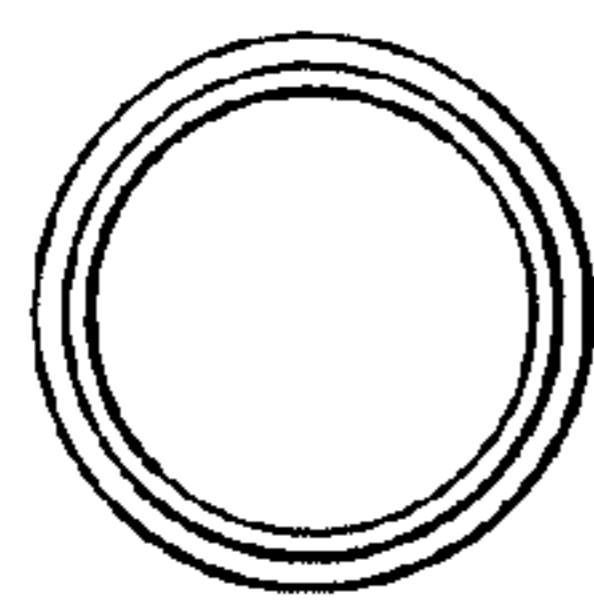


Fig. 3