



US00D723667S

(12) **United States Design Patent**  
**Locke**

(10) **Patent No.:** **US D723,667 S**  
(45) **Date of Patent:** **\*\* Mar. 3, 2015**

- (54) **HOSE PROTECTION DEVICE**
- (71) Applicant: **Steven C. Locke**, Wichita, KS (US)
- (72) Inventor: **Steven C. Locke**, Wichita, KS (US)
- (\*\*) Term: **14 Years**
- (21) Appl. No.: **29/434,555**
- (22) Filed: **Oct. 15, 2012**
- (51) **LOC (10) Cl.** ..... **23-01**
- (52) **U.S. Cl.**  
USPC ..... **D23/266**
- (58) **Field of Classification Search**  
USPC ..... D23/213, 223, 224, 228, 229, 230, 259,  
D23/262, 263, 266; D24/129; D13/155;  
138/103, 105, 109, 118, 118.1, 121,  
138/122, 126, 128, 140, 154, 155, 157, 158,  
138/167, 173, 177; 285/58, 83, 124.1,  
285/124.5, 179, 179.1  
See application file for complete search history.

6,263,903	B1 *	7/2001	Sjoberg	.....	137/364
6,293,098	B1 *	9/2001	Coates	.....	60/322
D451,457	S *	12/2001	Hale, Jr.	.....	D12/208
D466,652	S *	12/2002	Thurman	.....	D23/393
D616,966	S *	6/2010	Angell	.....	D23/262
8,439,084	B2 *	5/2013	Perry	.....	138/120
D699,822	S *	2/2014	Beaudoin	.....	D23/267
D709,994	S *	7/2014	King et al.	.....	D23/259
2008/0174109	A1 *	7/2008	Horvitz	.....	285/21.2
2012/0204992	A1 *	8/2012	Park et al.	.....	138/140
2013/0061973	A1 *	3/2013	Zerbes et al.	.....	138/109

**OTHER PUBLICATIONS**

Inflator Hose Adaptor, reference dated Aug. 18, 2014 online, [site visited Sep. 3, 2014]. Available from internet—<URL: <http://seavenger.com/dolphin-tech-regular-hose-sea-quest-inflator-hose-adaptor-p-1966.html>>.\*

\* cited by examiner

*Primary Examiner* — Eric Goodman  
*Assistant Examiner* — Daniel J Domino  
(74) *Attorney, Agent, or Firm* — Dale J. Ream

(56) **References Cited**

**U.S. PATENT DOCUMENTS**

126,069	A *	4/1872	McBurney	.....	138/126
255,804	A *	4/1882	Murphy	.....	138/140
1,688,762	A *	10/1928	Steenstrup	.....	138/140
1,777,095	A *	9/1930	Kramer	.....	248/130
2,471,209	A *	5/1949	Gazdik	.....	138/103
3,443,599	A *	5/1969	Klein	.....	138/140
3,451,639	A *	6/1969	Atwood et al.	.....	242/118.32
4,060,286	A *	11/1977	Boice	.....	175/325.4
D268,127	S *	3/1983	Whedon et al.	.....	D23/229
4,927,189	A *	5/1990	Burkit	.....	285/109
5,002,317	A *	3/1991	Burkit	.....	285/133.21
D360,018	S *	7/1995	Sonden et al.	.....	D23/262
D360,020	S *	7/1995	Sonden et al.	.....	D23/262
D360,021	S *	7/1995	Sonden et al.	.....	D23/262
D361,829	S *	8/1995	Sonden et al.	.....	D23/262
D383,195	S *	9/1997	Sonden et al.	.....	D23/262
6,006,399	A *	12/1999	Massaro	.....	15/315

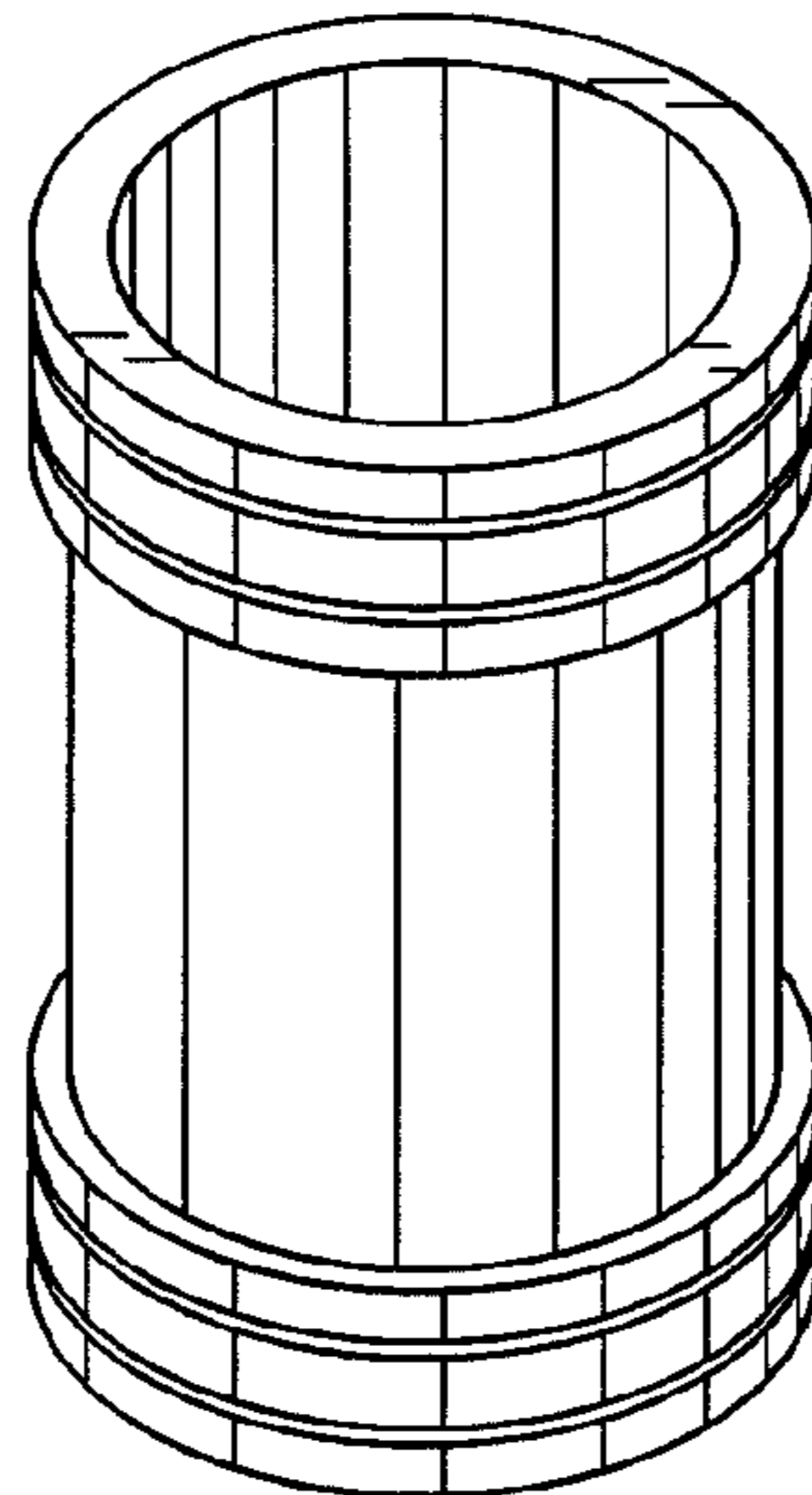
(57) **CLAIM**

The ornamental design for a hose protection device, as shown and described.

**DESCRIPTION**

FIG. 1 is a perspective view of a hose protection device showing my new design;  
FIG. 2 is a front view, the back view, left side view, and right side view being a mirror image thereof;  
FIG. 3 is a top view, the bottom view being a mirror image thereof; and,  
FIG. 4 is a perspective view of a hose protection device shown in use.  
In the drawings, the broken lines showing a ground anchor illustrate environment and form no part of the claimed design.

**1 Claim, 2 Drawing Sheets**



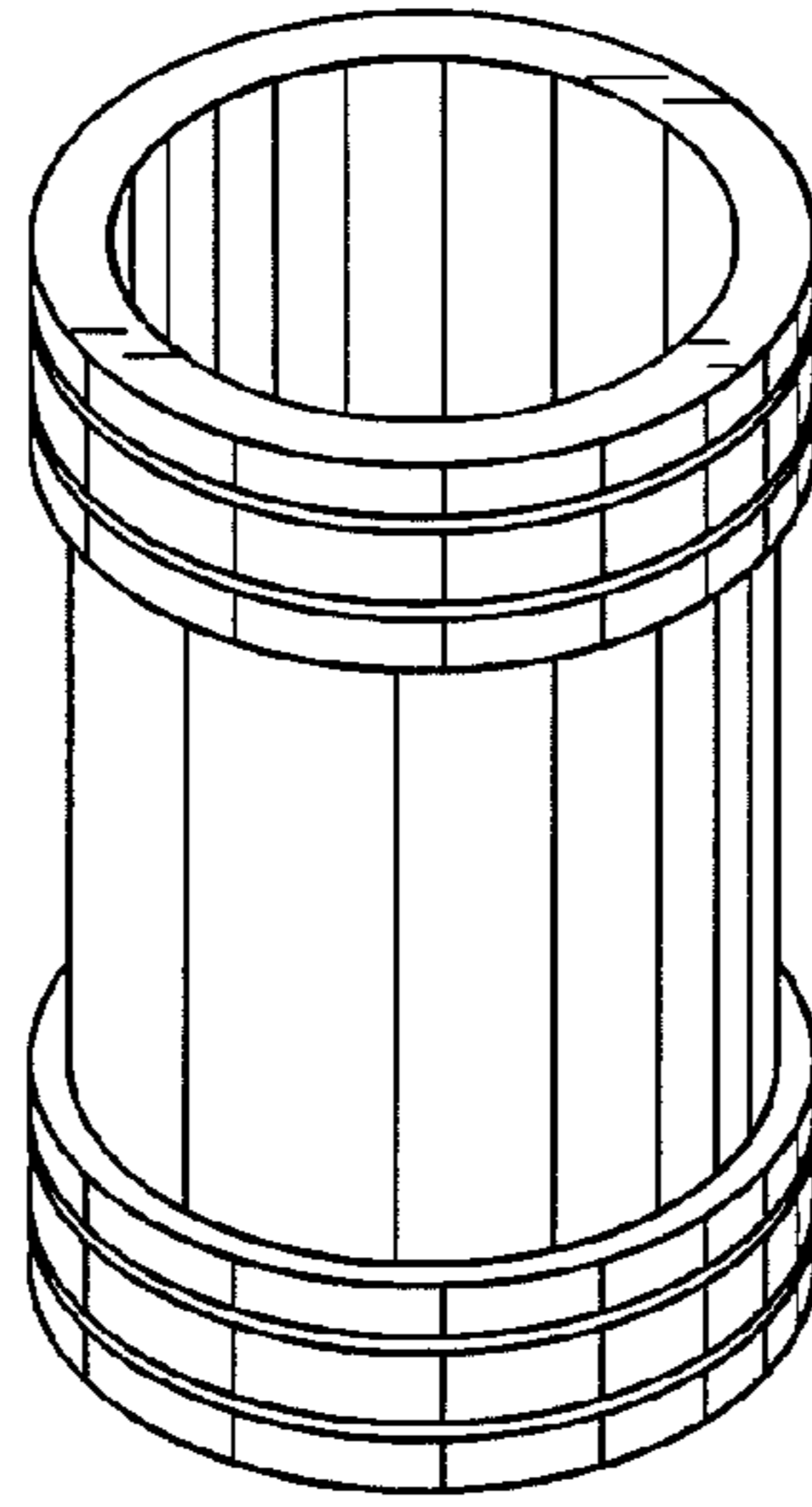


Fig. 1

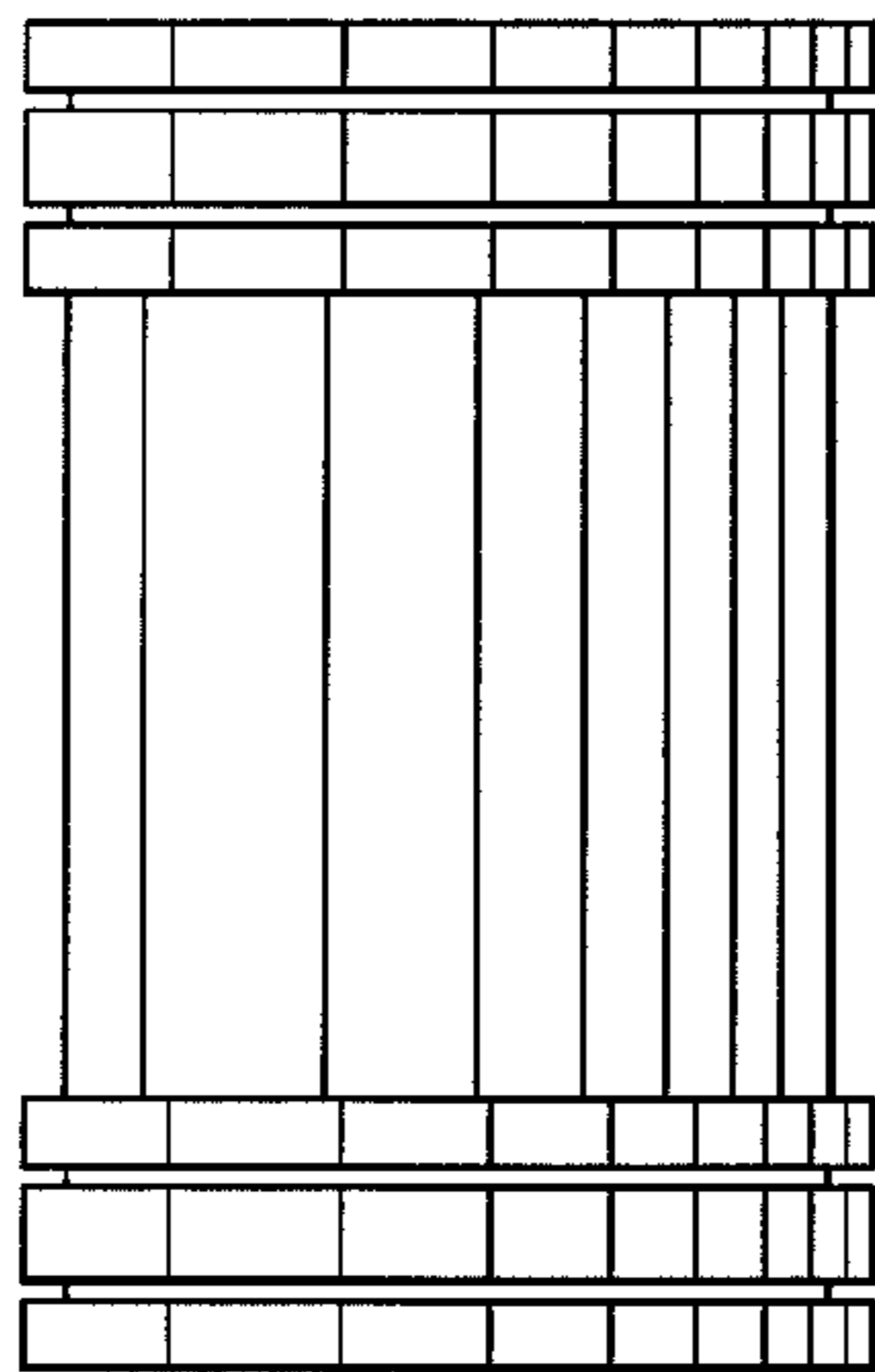


Fig. 2

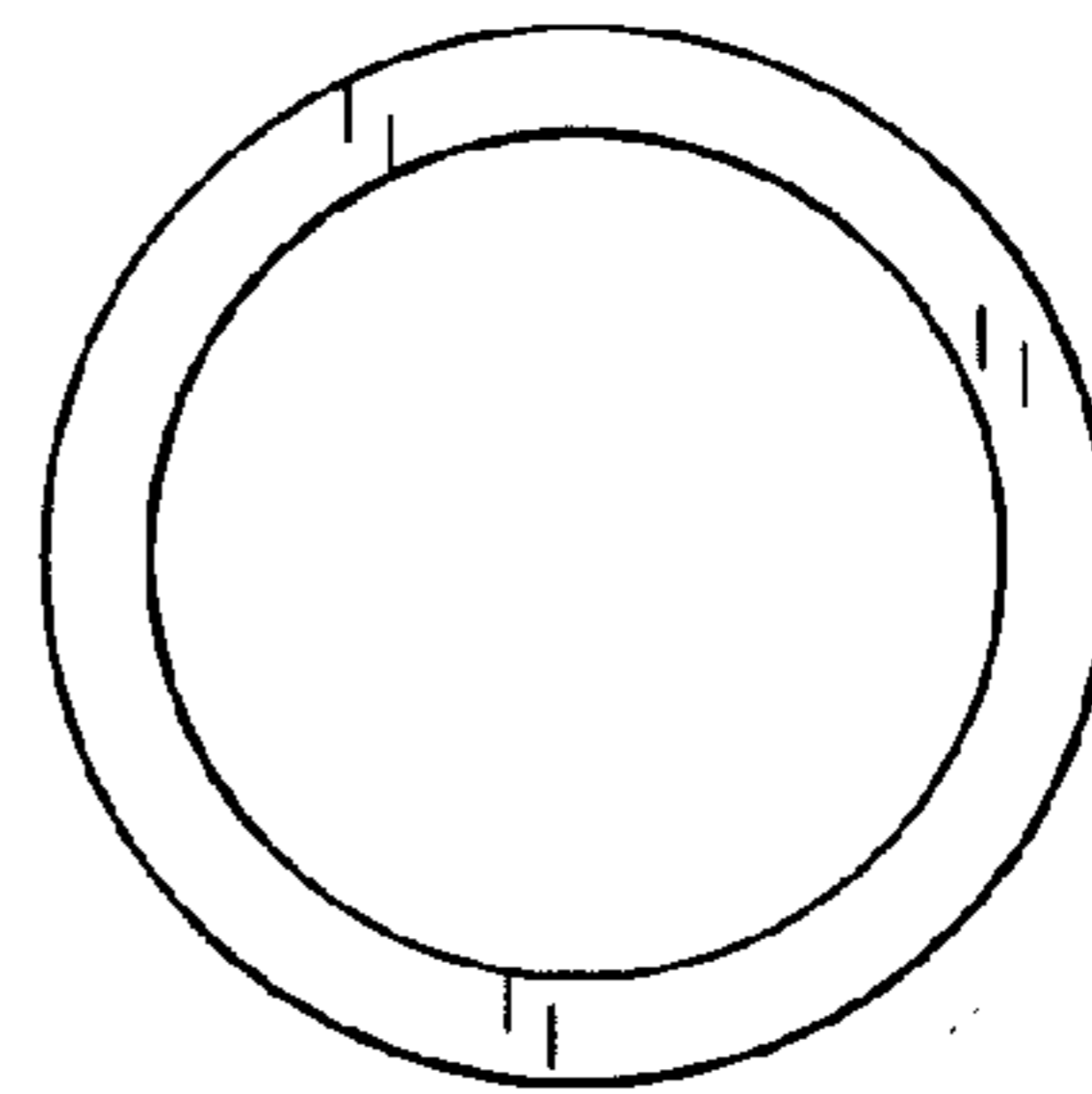


Fig. 3

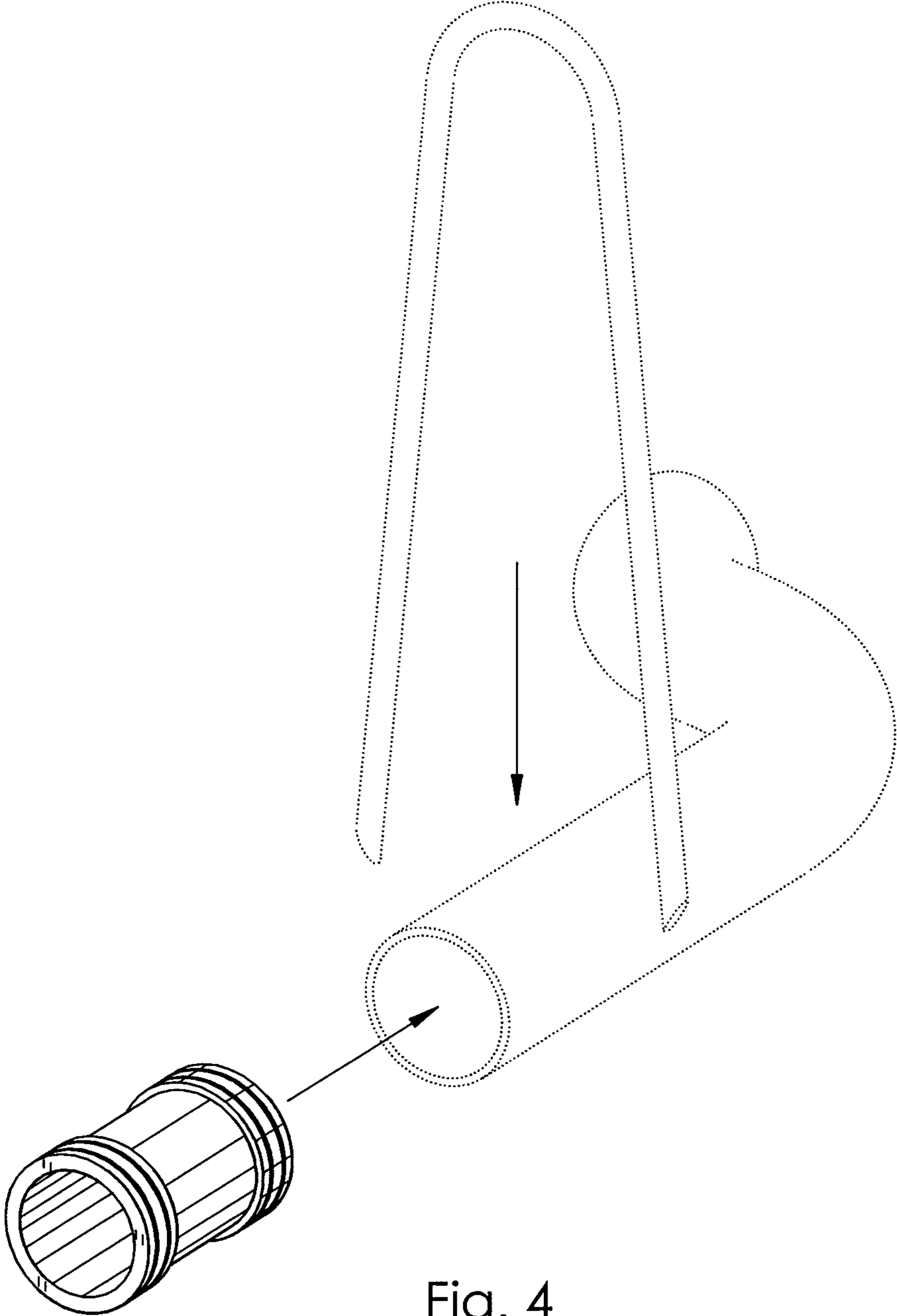


Fig. 4