



US00D723664S

(12) **United States Design Patent**  
**Pony**

(10) **Patent No.:** **US D723,664 S**  
(45) **Date of Patent:** **\*\* Mar. 3, 2015**

(54) **FAUCET**

(71) Applicant: **Madgal Glil Yam**, Kibutz Glil Yam (IL)

(72) Inventor: **Yoram Pony**, Moshav Ramat Raziel (IL)

(73) Assignee: **Madgal Glil Yam**, Kibutz Glil Yam (IL)

(\*\*) Term: **14 Years**

(21) Appl. No.: **29/487,886**

(22) Filed: **Apr. 14, 2014**

(30) **Foreign Application Priority Data**

Oct. 14, 2013 (IL) ..... 54690

(51) **LOC (10) Cl.** ..... **23-01**

(52) **U.S. Cl.**

USPC ..... **D23/238**

(58) **Field of Classification Search**

CPC ..... E03C 1/04; E03C 1/0401; E03C 1/0402;  
E03C 1/0404

USPC ..... D23/238, 250, 252, 254–255, 257

See application file for complete search history.

(56) **References Cited**

U.S. PATENT DOCUMENTS

D556,863 S \* 12/2007 Demmer et al. .... D23/235  
D662,181 S \* 6/2012 Thun ..... D23/238  
D708,710 S \* 7/2014 Yu ..... D23/238

\* cited by examiner

*Primary Examiner* — Robert Delehanty

(74) *Attorney, Agent, or Firm* — Pearl Cohen Zedek Latzer Baratz LLP

(57) **CLAIM**

The ornamental design for a faucet, as shown and described.

**DESCRIPTION**

FIG. 1 is a front, right side perspective view of the faucet;

FIG. 2 is a front view thereof;

FIG. 3 is a rear view thereof;

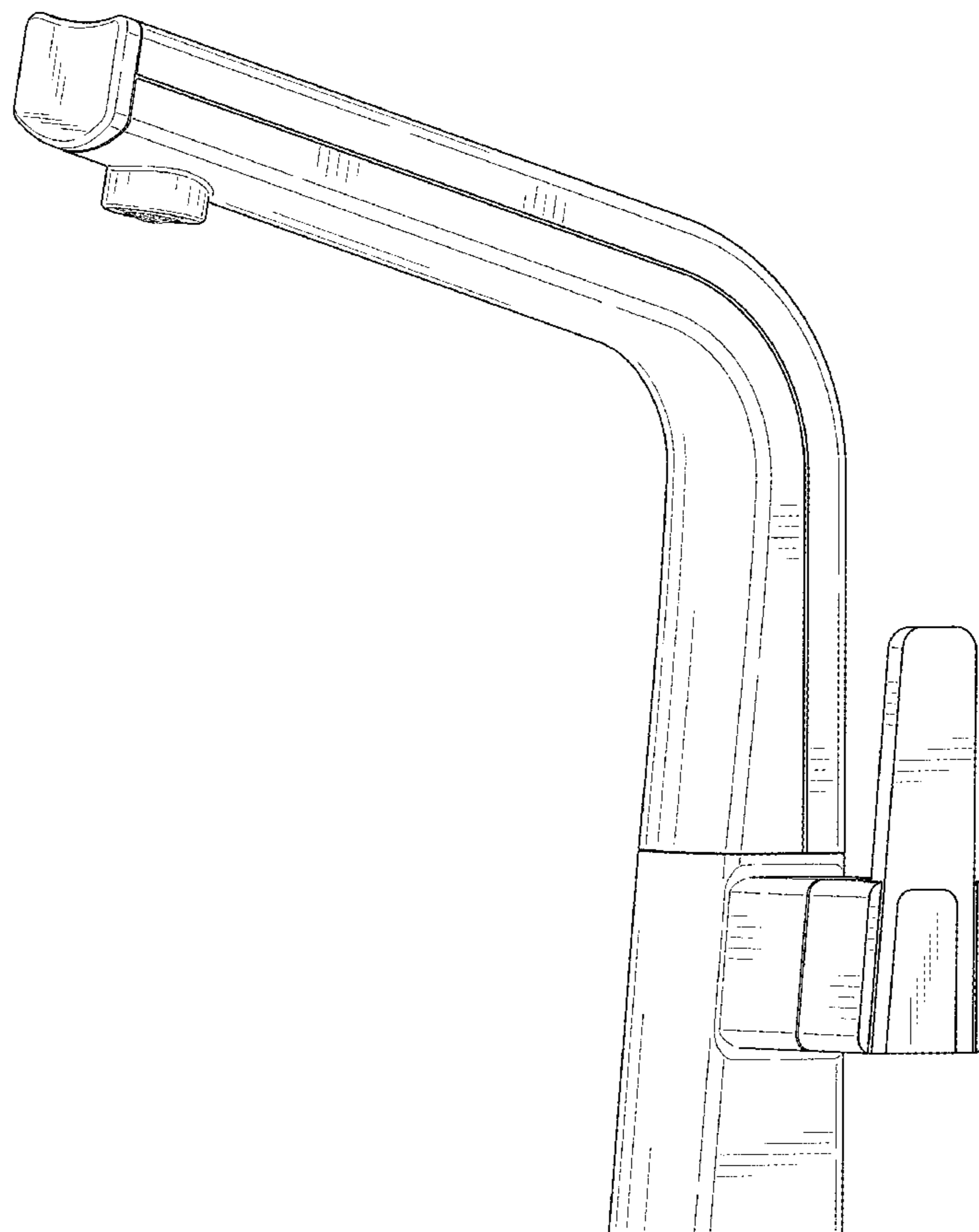
FIG. 4 is a left side view thereof;

FIG. 5 is a right side view thereof; and,

FIG. 6 is a top plan view thereof.

The portions shown in broken line form no part of the claimed subject matter.

**1 Claim, 5 Drawing Sheets**



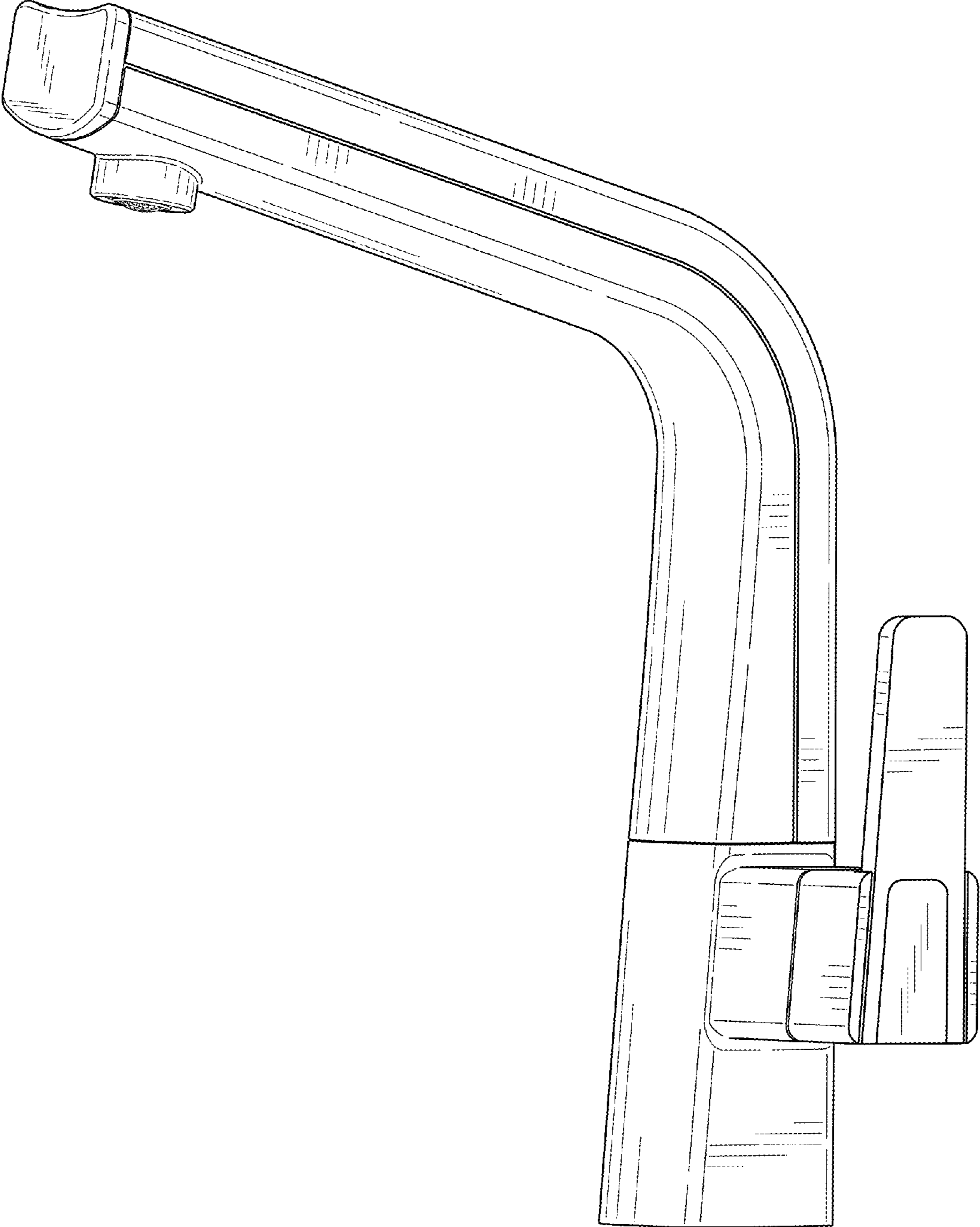


FIG. 1

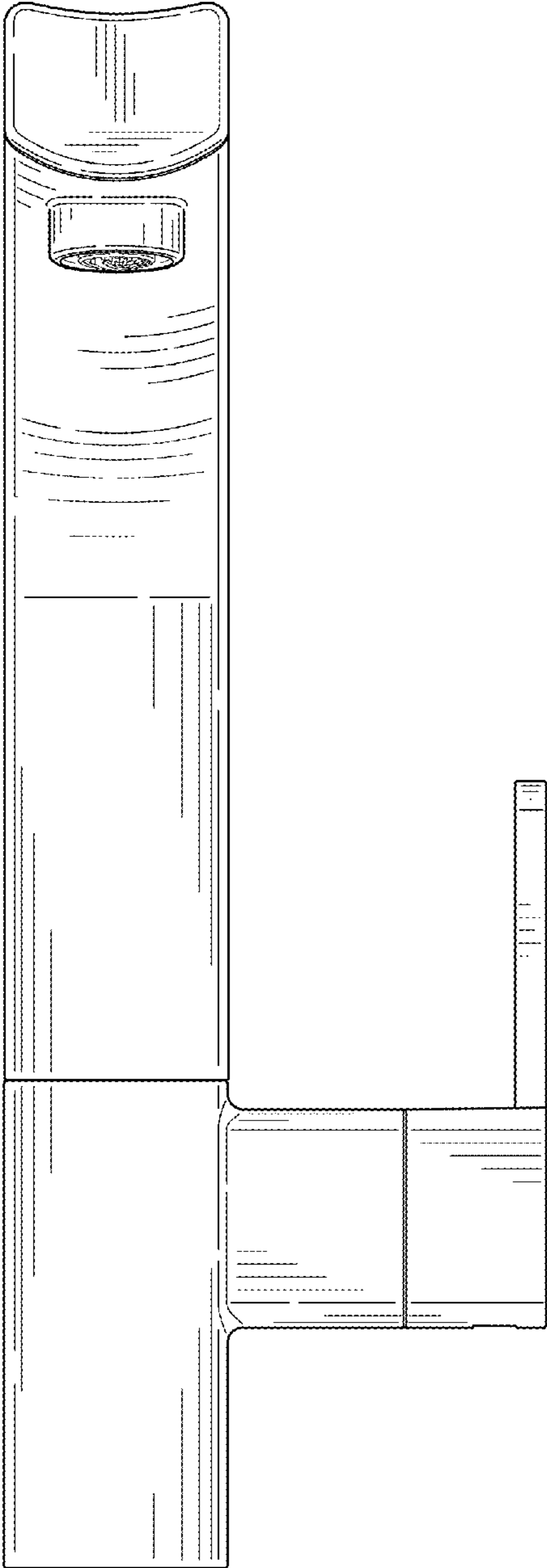


FIG. 2

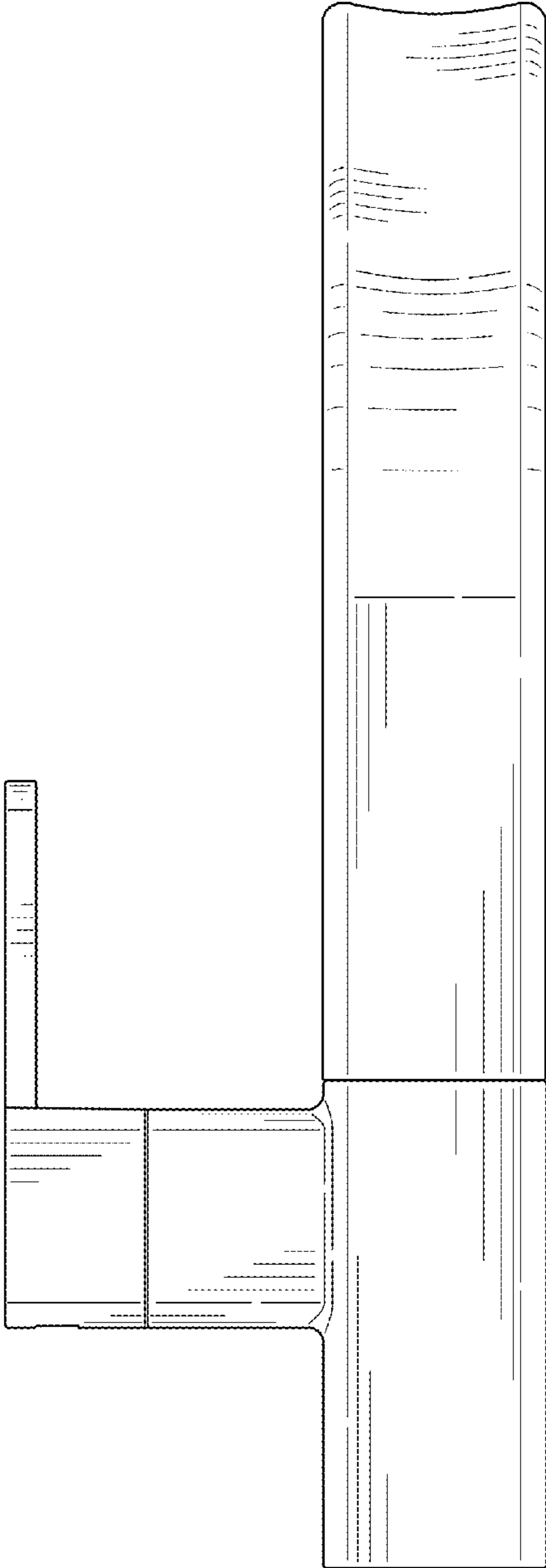


FIG. 3

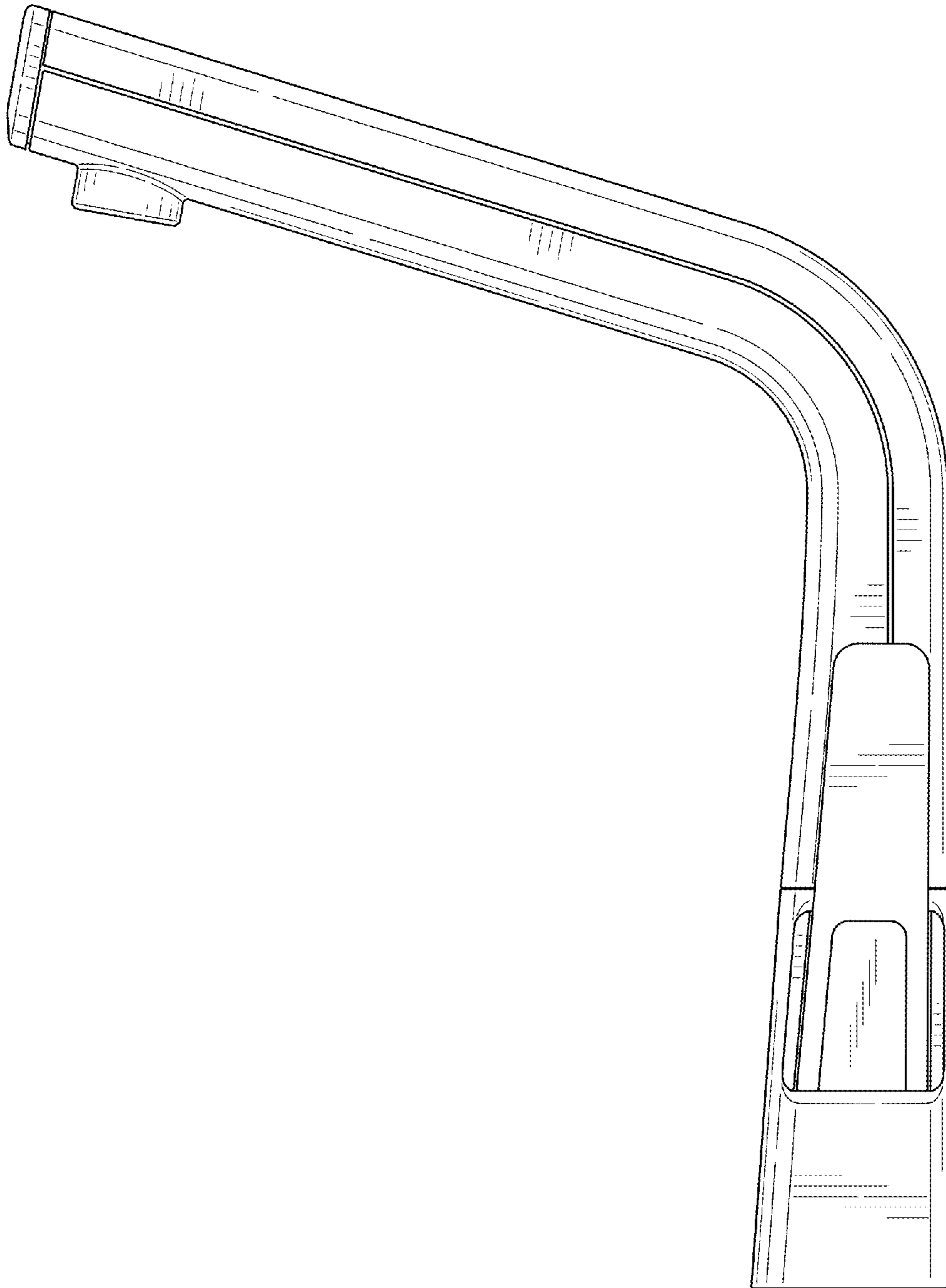


FIG. 4

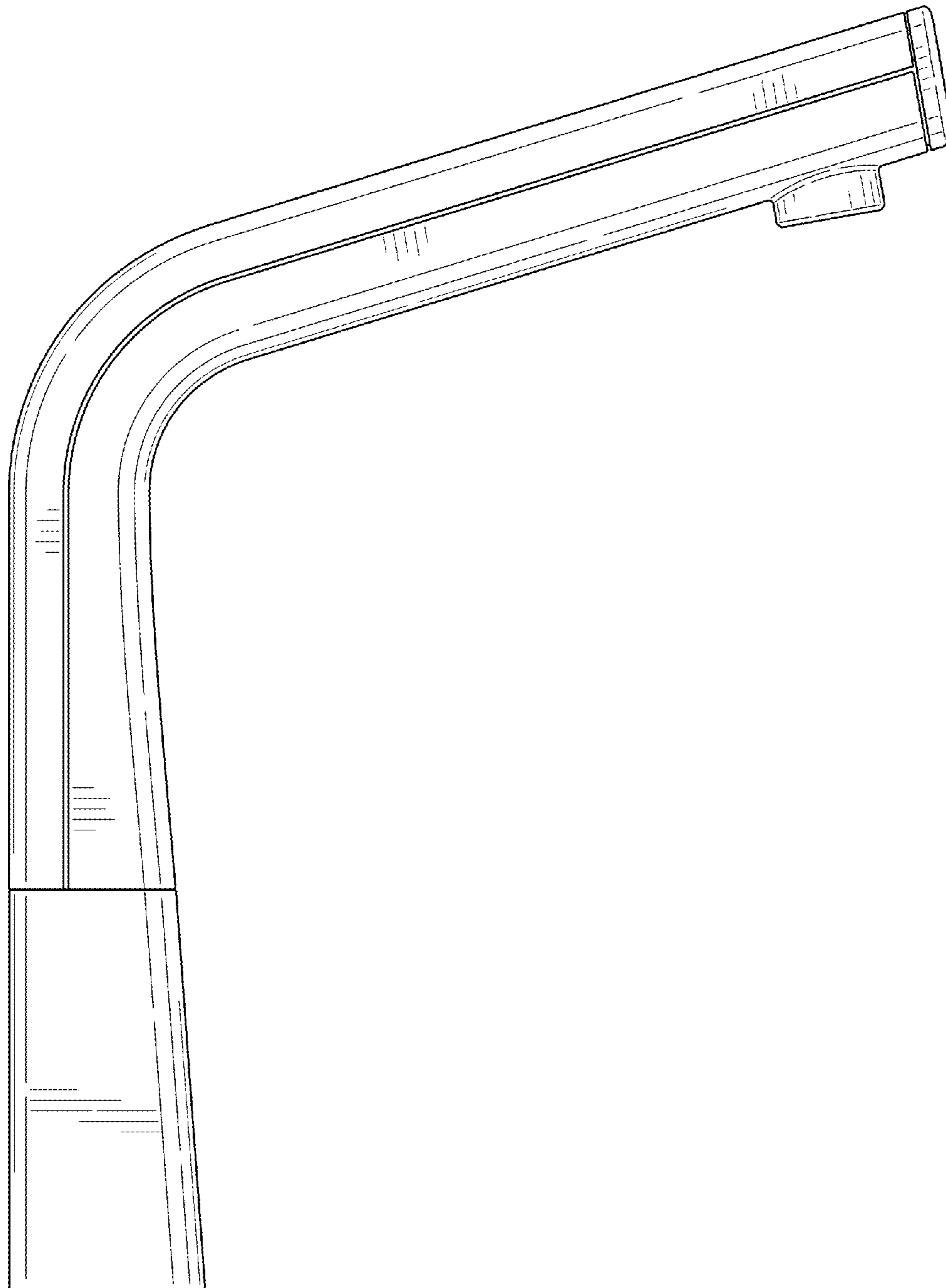


FIG. 5

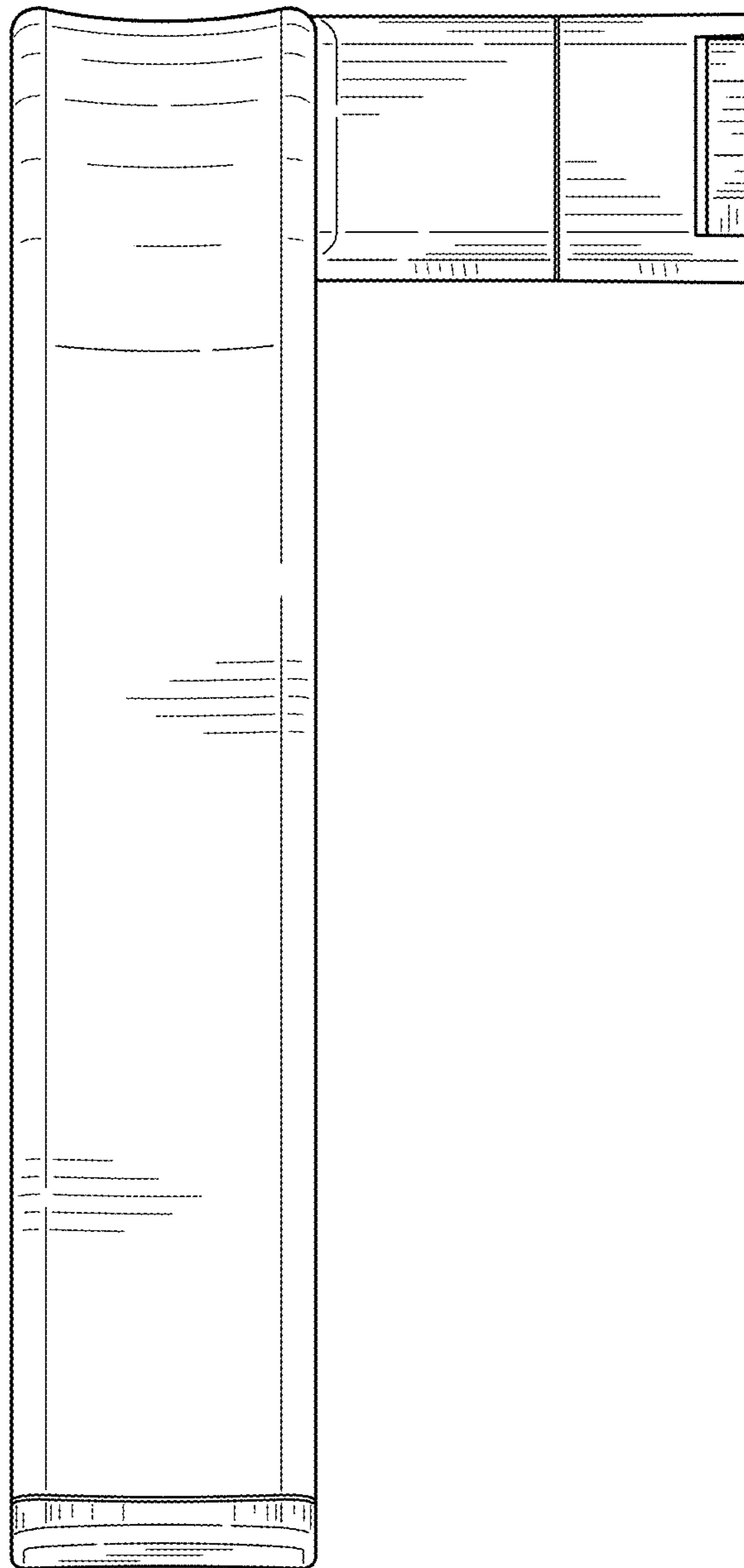


FIG. 6