



US00D723663S

(12) **United States Design Patent**
Downey et al.

(10) **Patent No.:** **US D723,663 S**
(45) **Date of Patent:** **** Mar. 3, 2015**

(54) **FAUCET HANDLE**

D665,880 S 8/2012 Flowers et al.
D665,882 S 8/2012 Flowers et al.
D708,709 S * 7/2014 Yu D23/238

(71) Applicant: **Price Pfister, Inc.**, Lake Forest, CA (US)

(72) Inventors: **David R. Downey**, Mission Viejo, CA (US); **Tony Zhang**, Xiamen (CN)

(73) Assignee: **Price Pfister, Inc.**, Lake Forest, CA (US)

(**) Term: **14 Years**

(21) Appl. No.: **29/486,797**

(22) Filed: **Apr. 2, 2014**

(51) **LOC (10) Cl.** **23-01**

(52) **U.S. Cl.**
USPC **D23/238**

(58) **Field of Classification Search**
CPC E03C 1/04; E03C 1/0401; E03C 1/0402;
E03C 1/0404
USPC D23/238, 241–243, 249, 250, 252
See application file for complete search history.

(56) **References Cited**

U.S. PATENT DOCUMENTS

D517,655 S * 3/2006 Ogata et al. D23/241
D538,400 S * 3/2007 Miyamoto D23/241
D538,401 S 3/2007 Miyamoto
D557,381 S 12/2007 Garner
D590,050 S * 4/2009 Miyamoto D23/255
D601,227 S 9/2009 Sieger
D625,393 S 10/2010 Sieger
D639,912 S 6/2011 Schoenherr et al.
D645,941 S 9/2011 Ando et al.

FOREIGN PATENT DOCUMENTS

DE 20110823 U1 3/2002

* cited by examiner

Primary Examiner — Robert Delehanty

(74) *Attorney, Agent, or Firm* — Barnes & Thornburg LLP

(57) **CLAIM**

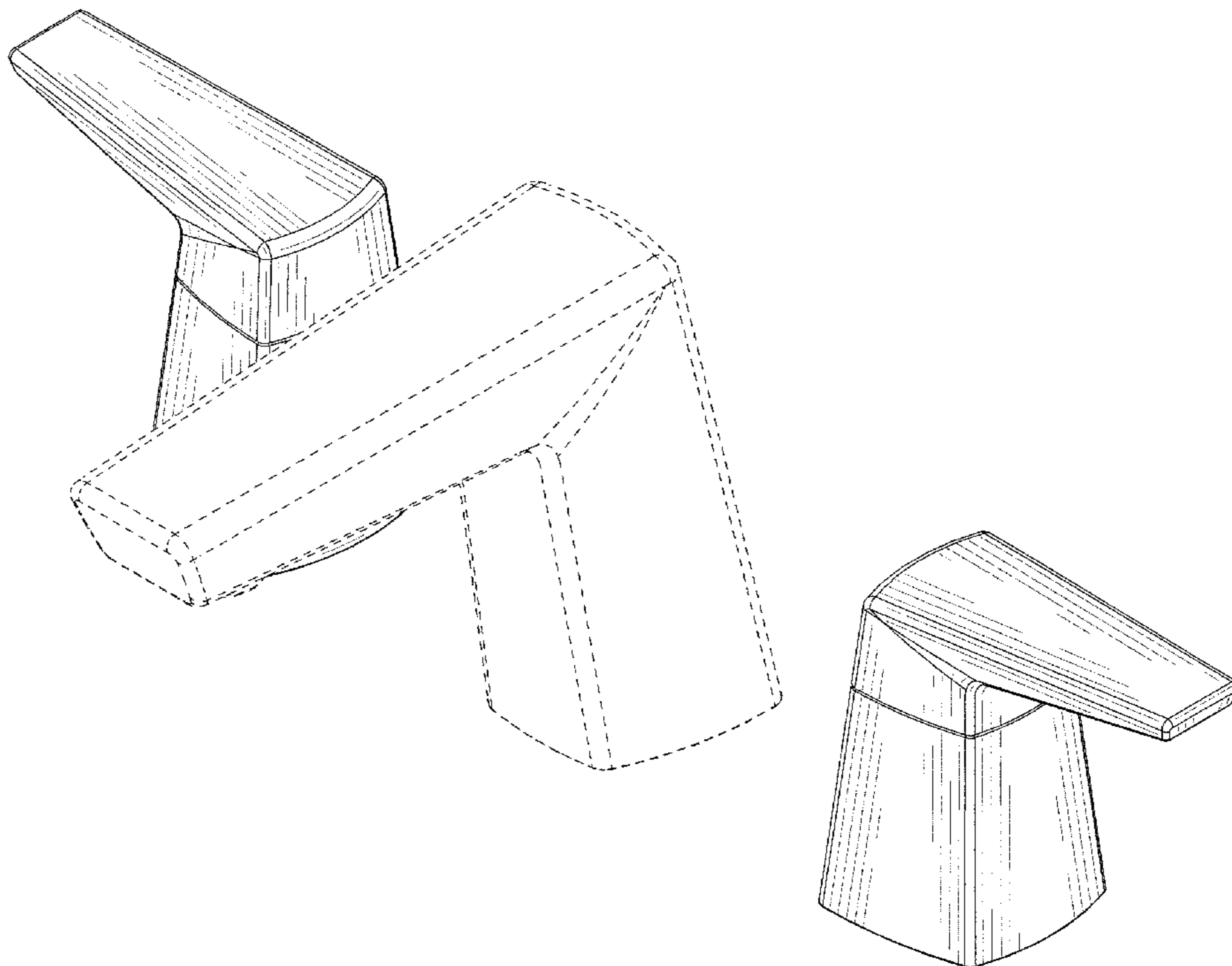
What is claimed is the ornamental design for a faucet handle, as shown and described.

DESCRIPTION

FIG. 1—perspective view of our new design with the spray head in broken lines;
FIG. 2—right side elevation view of the design shown in FIG. 1;
FIG. 3—is the left side elevational view of the design shown in FIG. 1;
FIG. 4—is a top view of the design shown in FIG. 1;
FIG. 5—is a bottom view of the design shown in FIG. 1;
FIG. 6—is a front elevational view of the design shown in FIG. 1; and,
FIG. 7—is a rear elevational view of the design shown in FIG. 1.

The broken lines shown in the drawings are for purposes of illustrating portions of the design and form no part of the claimed design.

1 Claim, 6 Drawing Sheets



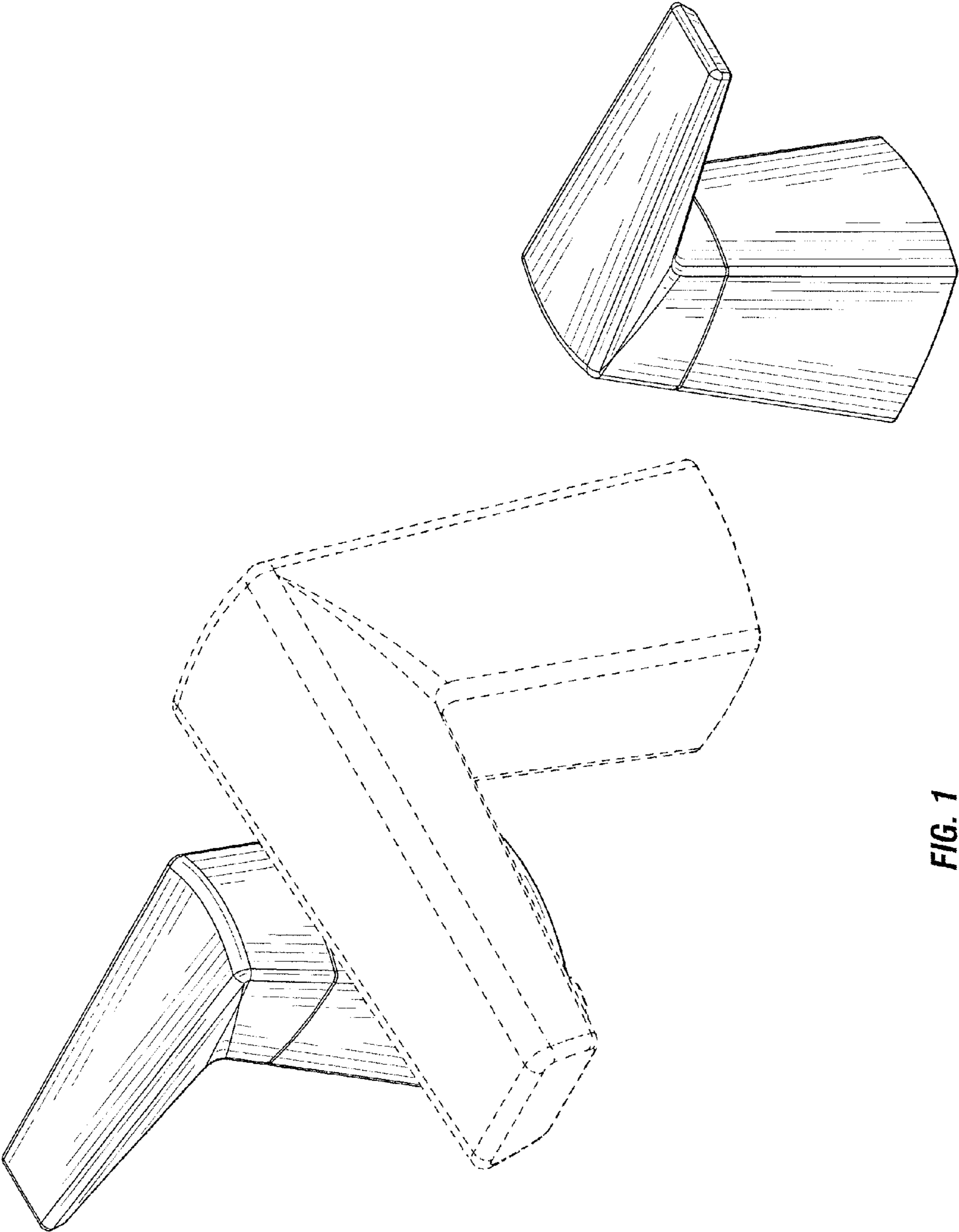


FIG. 1

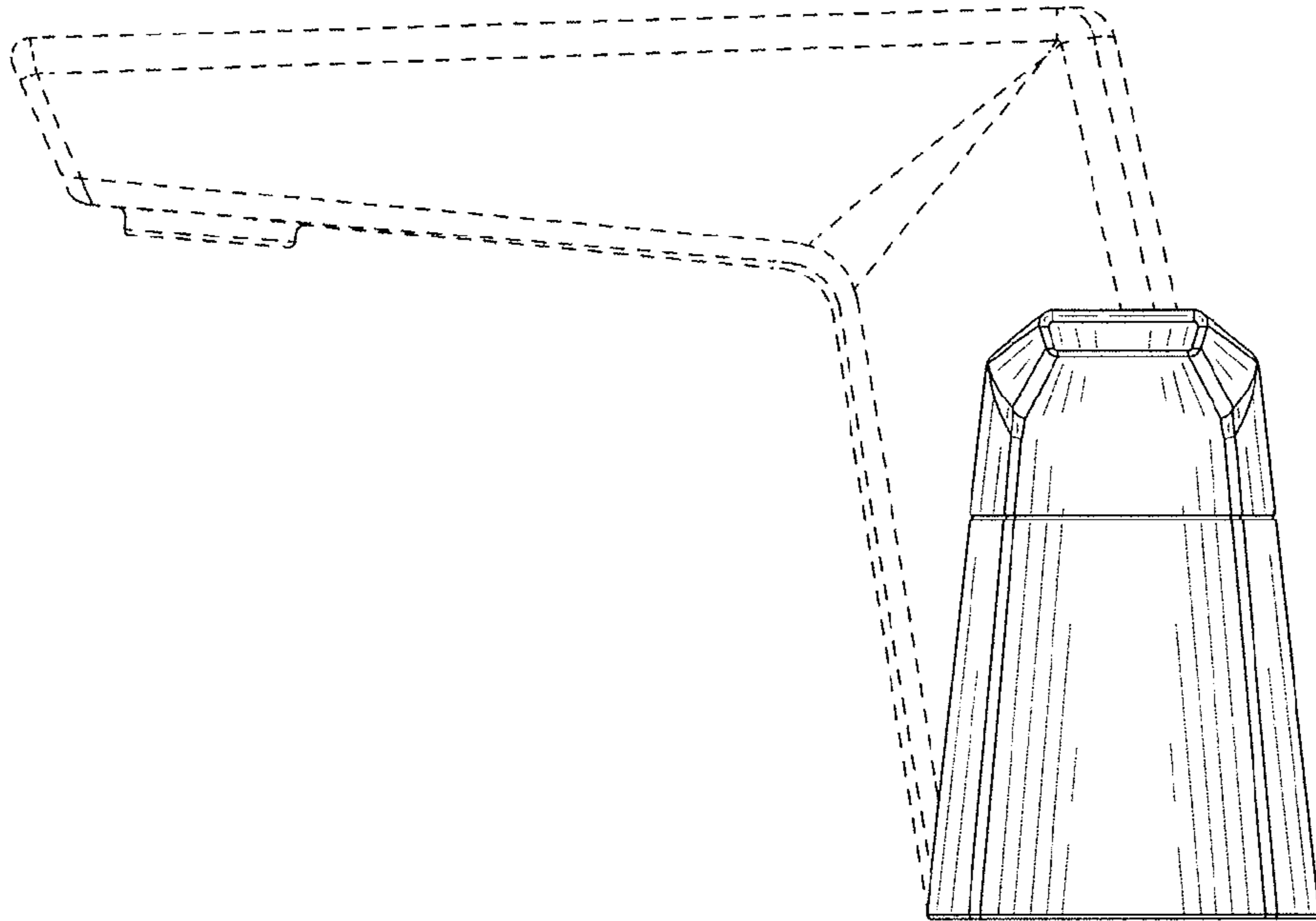


FIG. 2

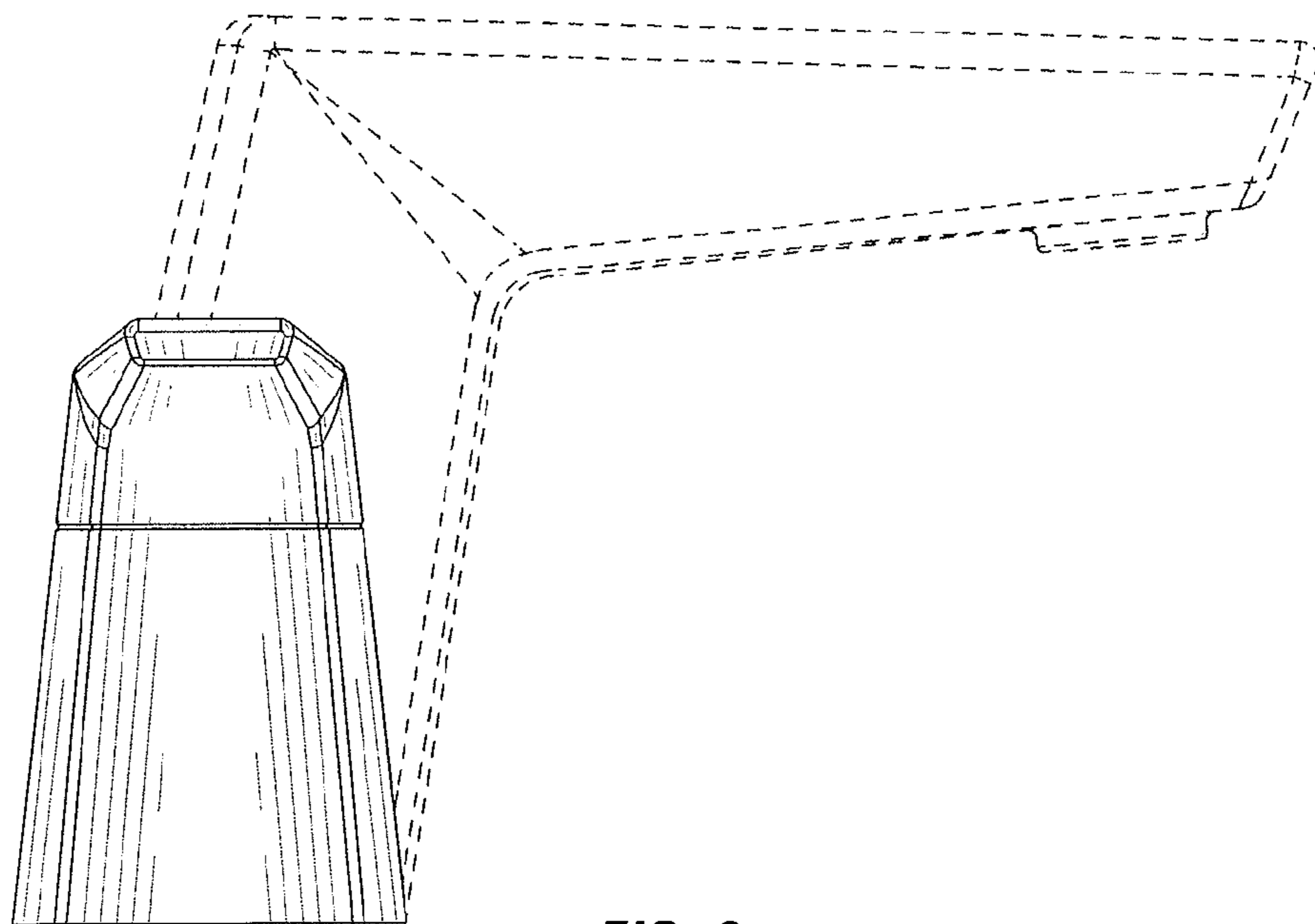


FIG. 3

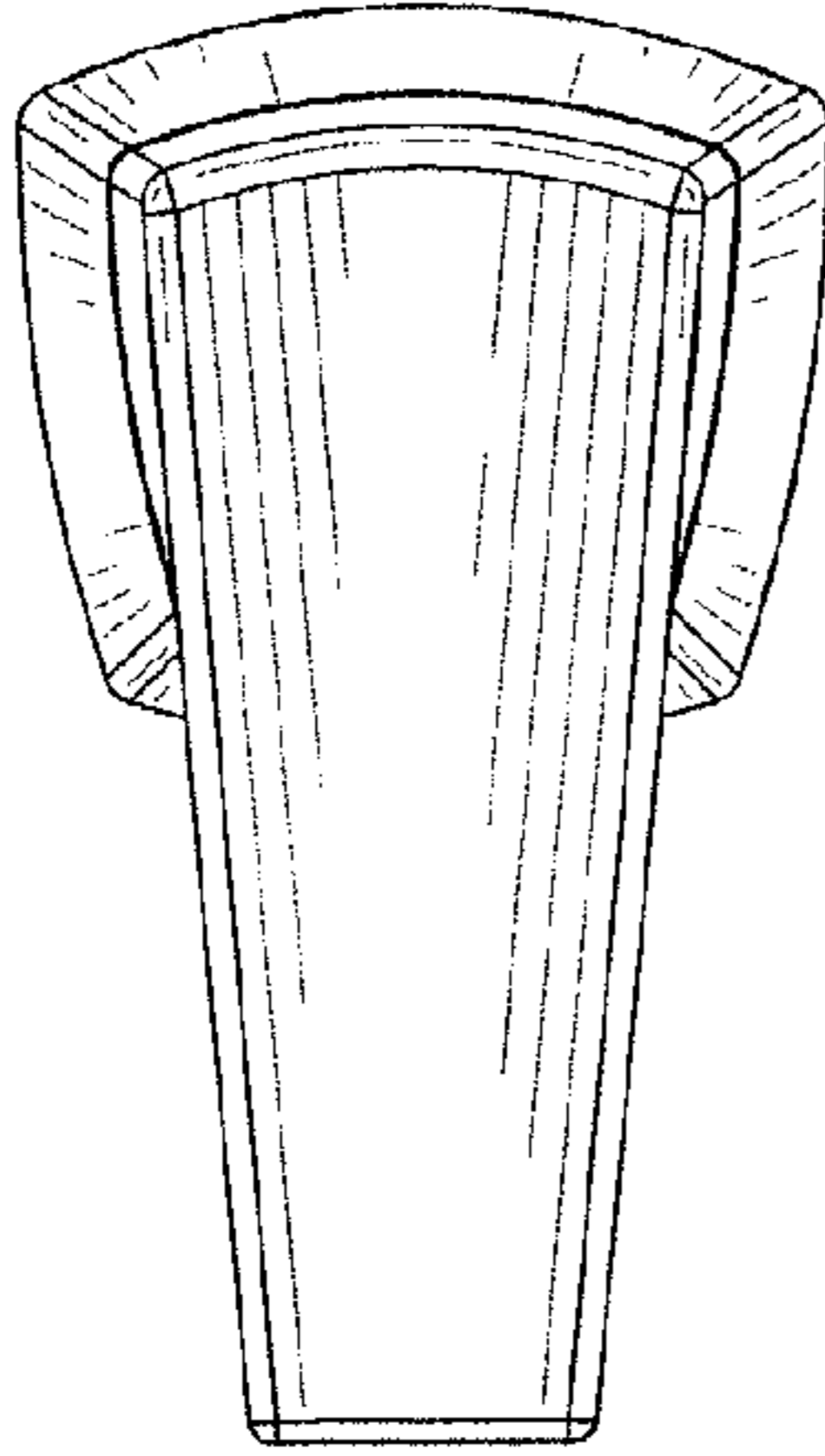
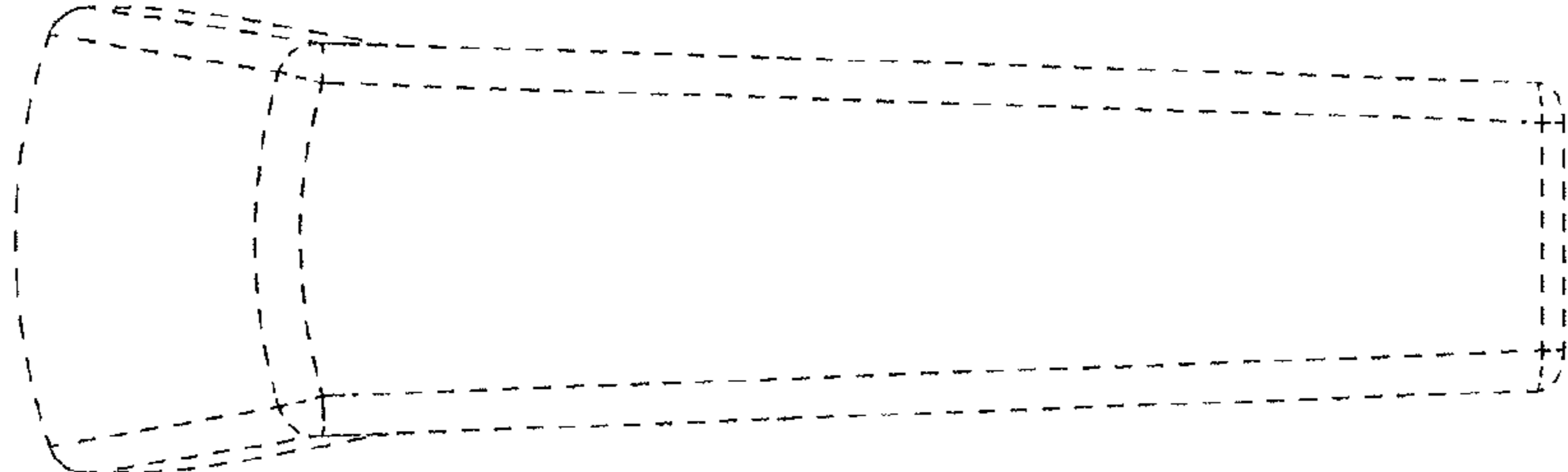
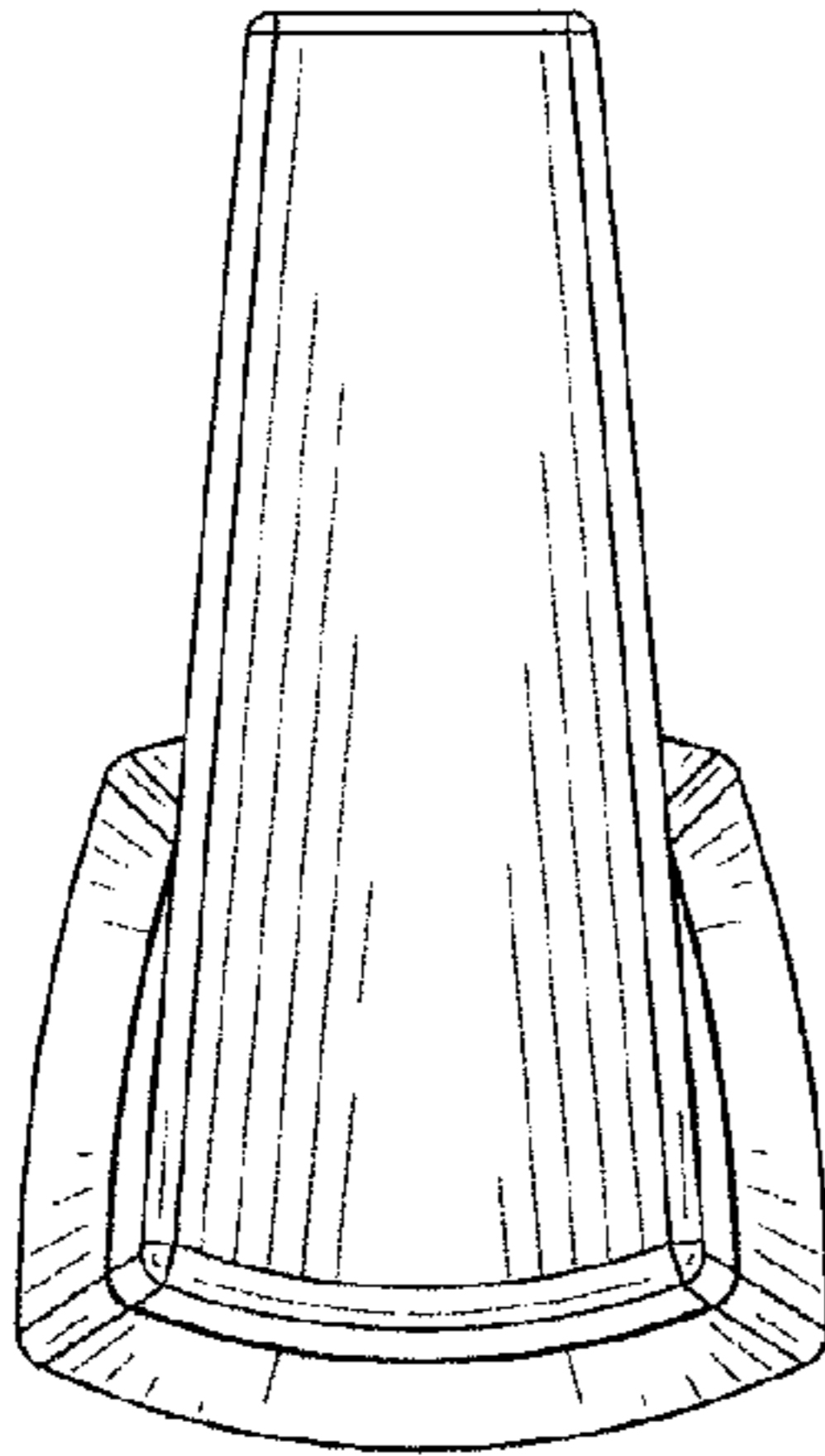


FIG. 4

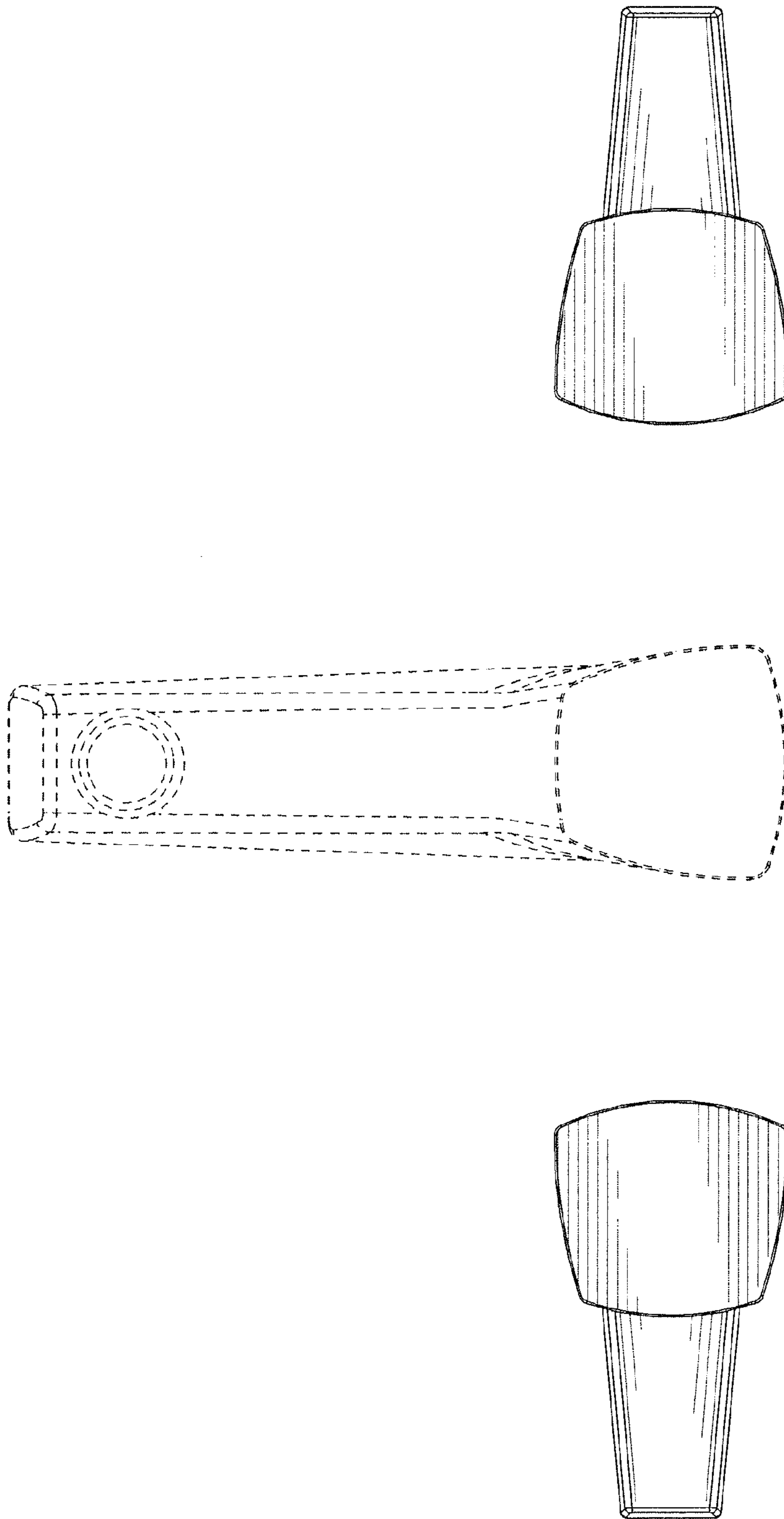
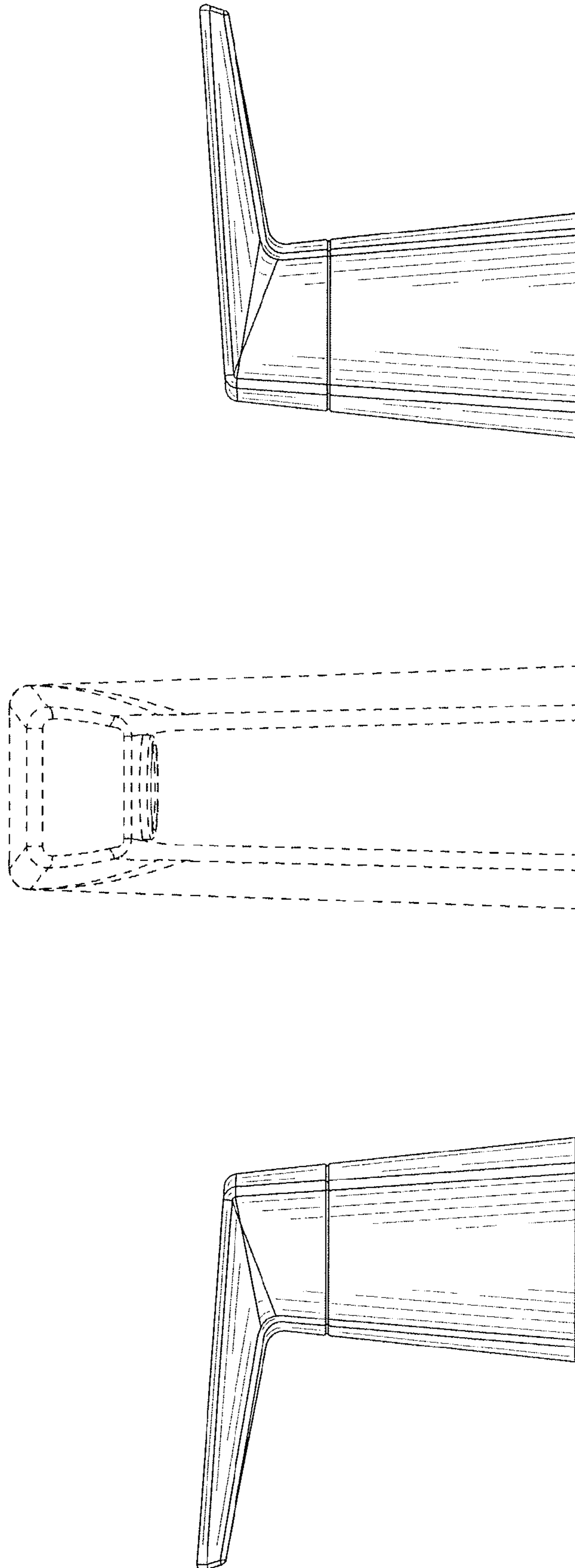


FIG. 5



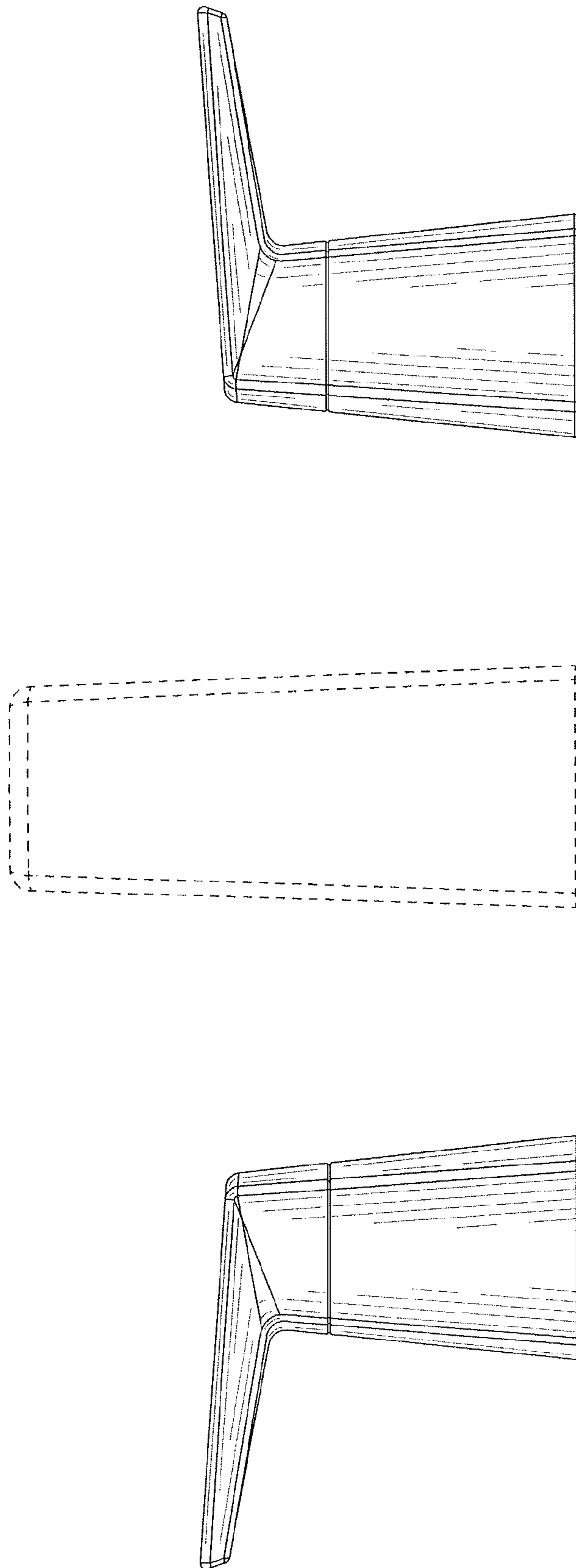


FIG. 7