



US00D723662S

(12) **United States Design Patent**
Downey

(10) **Patent No.:** **US D723,662 S**
(45) **Date of Patent:** **** Mar. 3, 2015**

(54) **FAUCET**

FOREIGN PATENT DOCUMENTS

(71) Applicant: **Price Pfister, Inc.**, Lake Forest, CA (US)

DE 202005013467 U1 3/2006

(72) Inventor: **David R. Downey**, Mission Viejo, CA (US)

EP 1577448 A2 9/2005

EP 1705297 A1 9/2006

EP 1705297 B1 10/2008

EP 2103749 A2 9/2009

EP 1882785 B1 6/2011

EP 1944418 B1 7/2012

EP 2513383 A1 10/2012

(73) Assignee: **Price Pfister, Inc.**, Lake Forest, CA (US)

WO WO2005098150 A2 10/2005

WO WO2008086379 A1 7/2008

WO WO2009120335 A1 10/2009

WO WO2013154812 A1 10/2013

(**) Term: **14 Years**

(21) Appl. No.: **29/486,786**

(22) Filed: **Apr. 2, 2014**

* cited by examiner

(51) **LOC (10) Cl.** **23-01**

Primary Examiner — Robert Delehanty

(52) **U.S. Cl.**
USPC **D23/238**

(74) *Attorney, Agent, or Firm* — Barnes & Thornburg LLP

(58) **Field of Classification Search**
CPC E03C 1/04; E03C 1/0401; E03C 1/0402;
E03C 1/0404
USPC D23/238, 250, 252, 254–255, 257
See application file for complete search history.

(57) **CLAIM**

What is claimed is the ornamental design for a faucet, as shown and described.

DESCRIPTION

(56) **References Cited**

U.S. PATENT DOCUMENTS

D191,295 S	*	9/1961	Chapman	D23/238
D461,874 S		8/2002	Gottwald		
D462,419 S		9/2002	Gottwald		
D478,966 S		8/2003	Citterio		
D517,169 S		3/2006	Ogata et al.		
D572,797 S		7/2008	Kübler		
D575,849 S		8/2008	Ko		
D590,050 S	*	4/2009	Miyamoto	D23/255
D596,711 S		7/2009	Sieger		
D602,123 S	*	10/2009	Sieger	D23/242
D659,800 S		5/2012	Flowers et al.		
D662,181 S		6/2012	Thun		
D662,188 S		6/2012	Thun		
D690,393 S		9/2013	Gessi		
D693,438 S		11/2013	Flowers et al.		

FIG. 1—perspective view of our new design with the spray head in broken lines;

FIG. 2—right side elevation view of the design shown in FIG. 1;

FIG. 3—is the left side elevational view of the design shown in FIG. 1;

FIG. 4—is a top view of the design shown in FIG. 1;

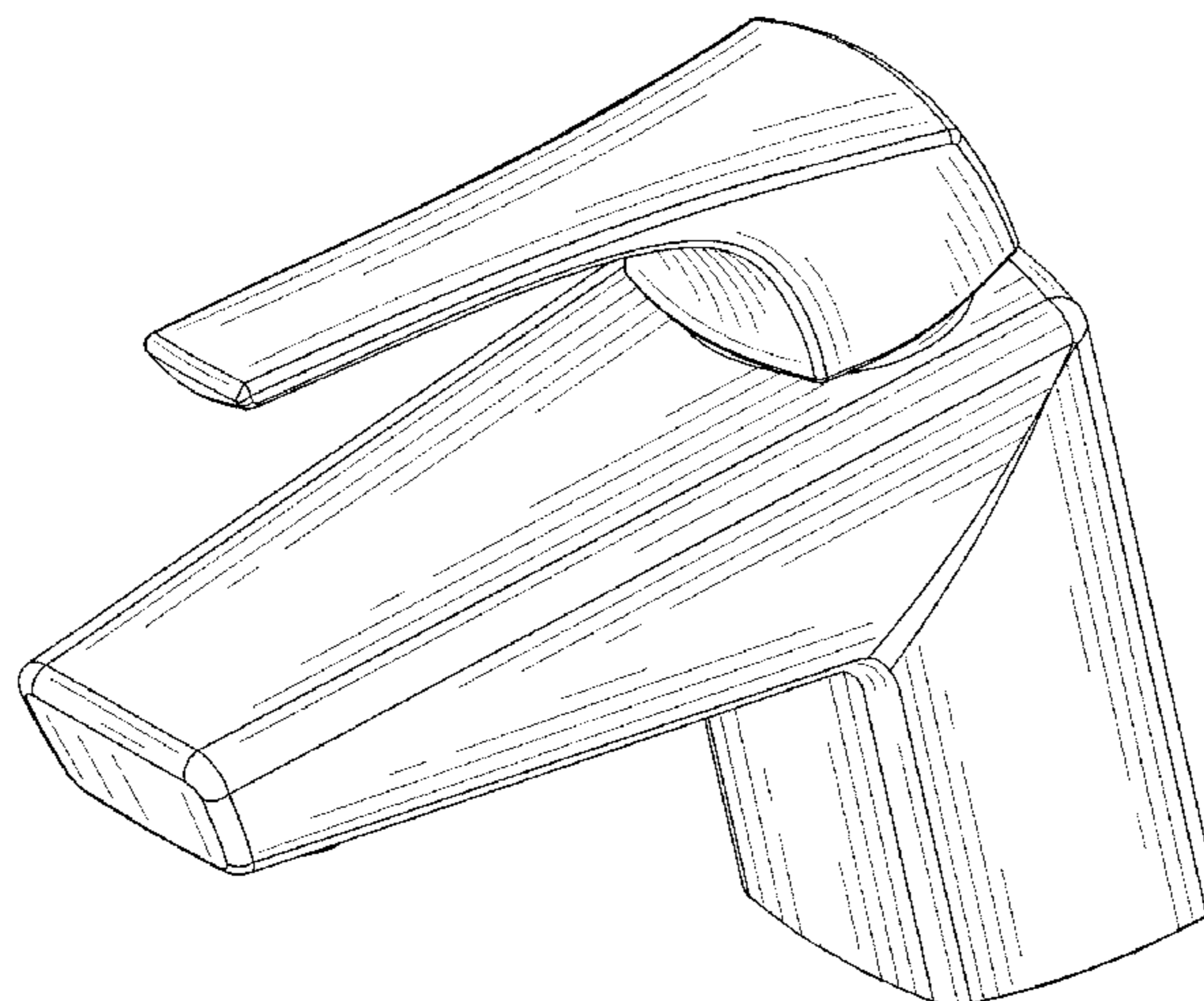
FIG. 5—is a bottom view of the design shown in FIG. 1;

FIG. 6—is a front elevational view of the design shown in FIG. 1; and,

FIG. 7—is a rear elevational view of the design shown in FIG. 1.

The broken lines shown in the drawings are for purposes of illustrating portions of the design and form no part of the claimed design.

1 Claim, 5 Drawing Sheets



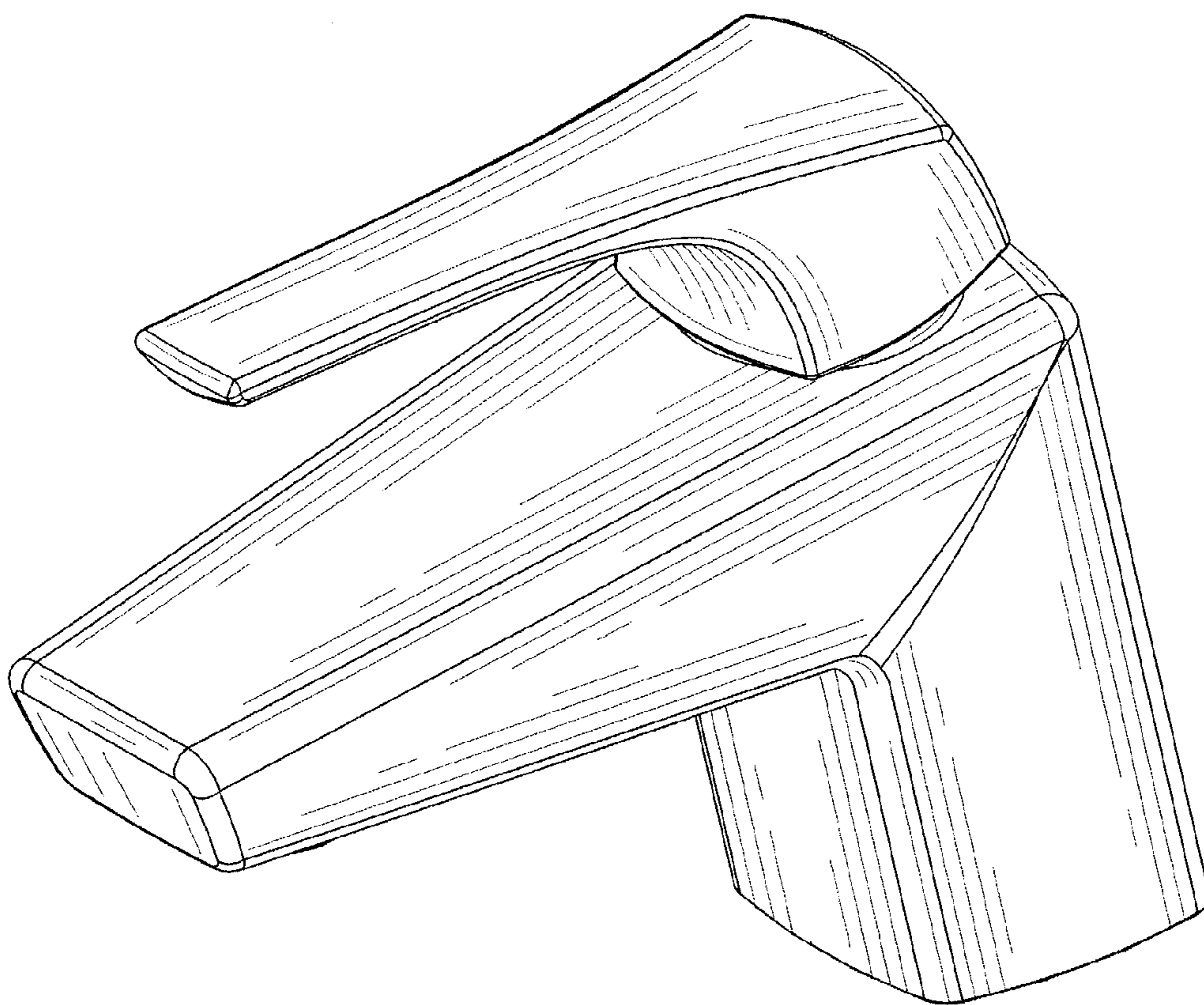


FIG. 1

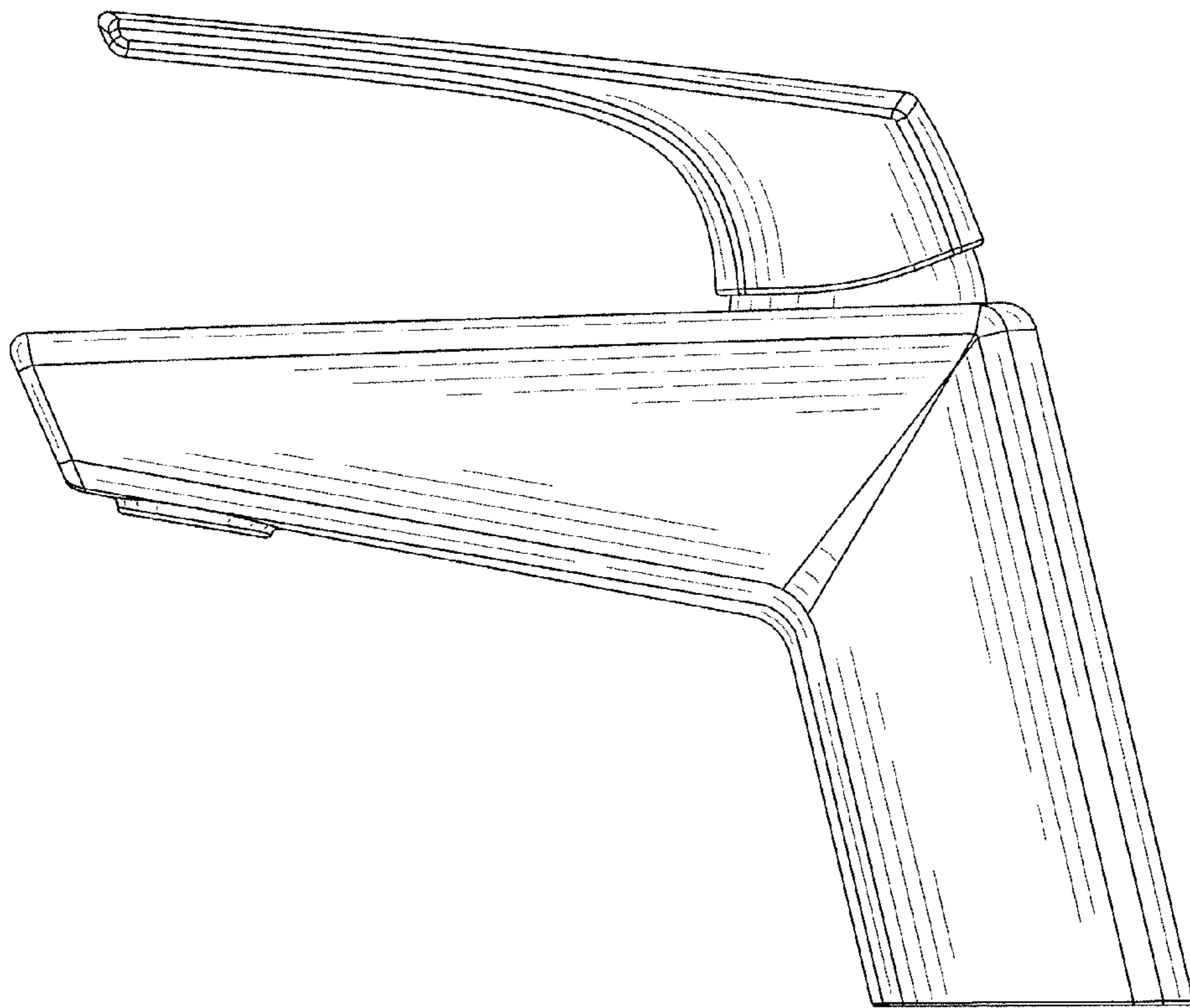


FIG. 2

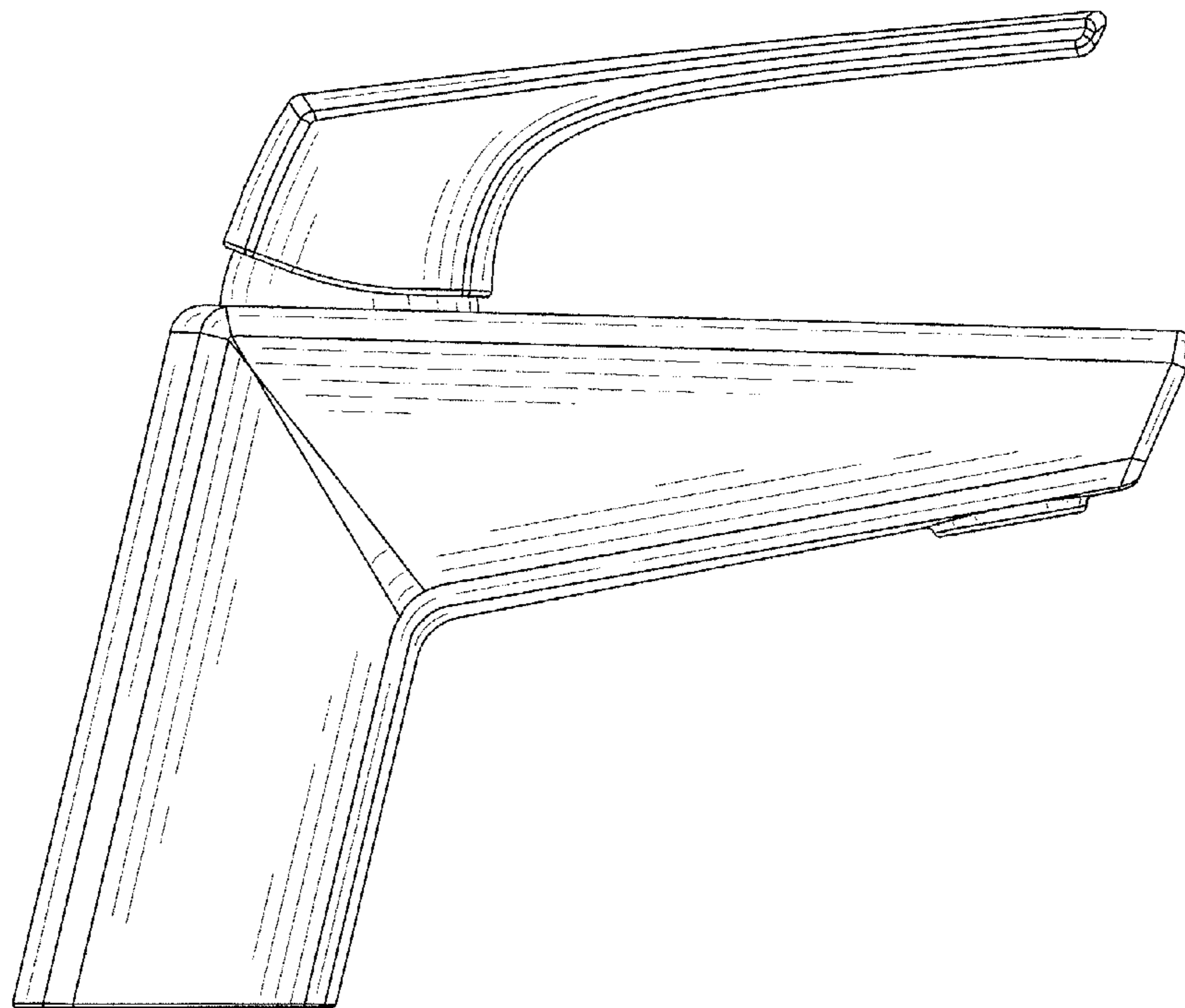


FIG. 3

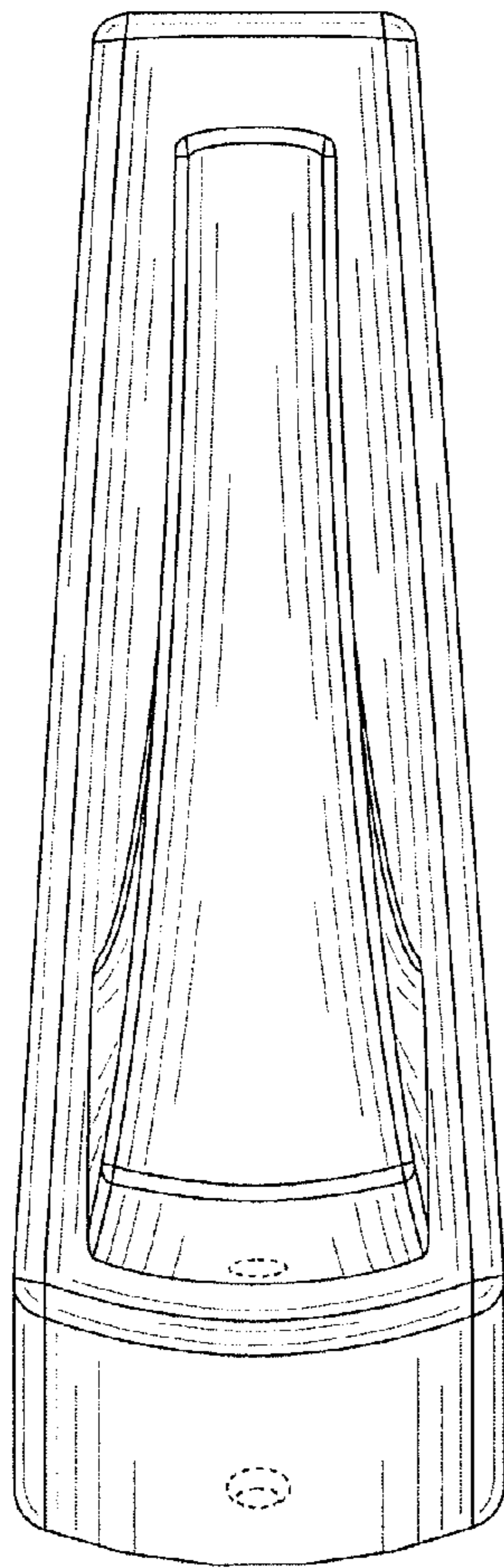


FIG. 4

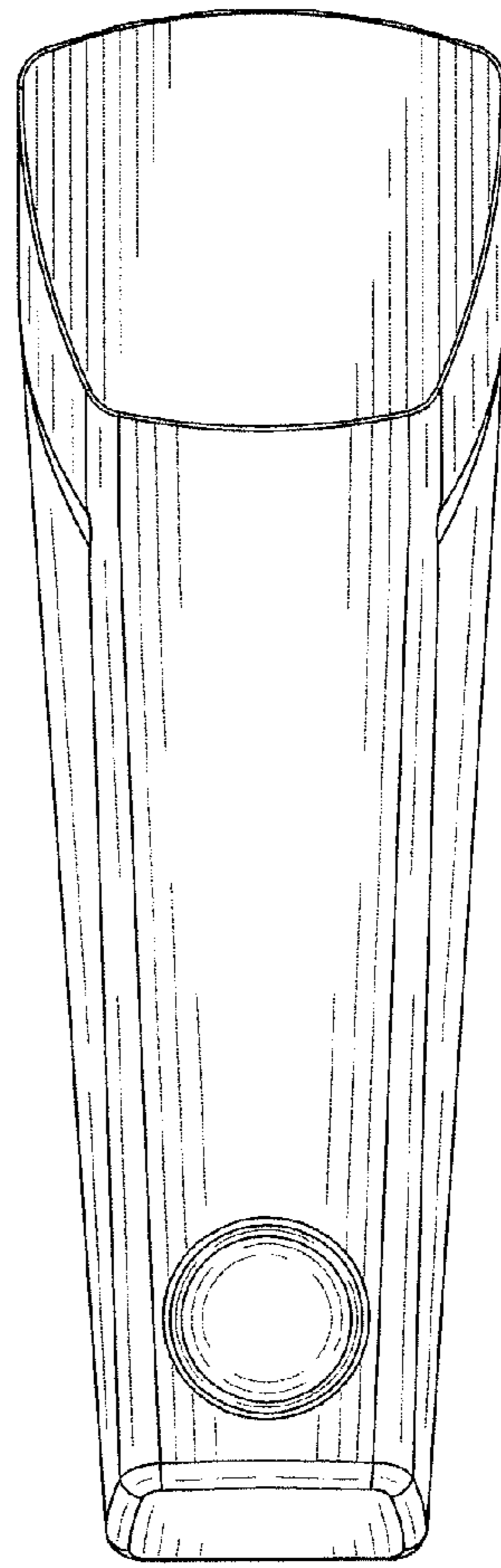


FIG. 5

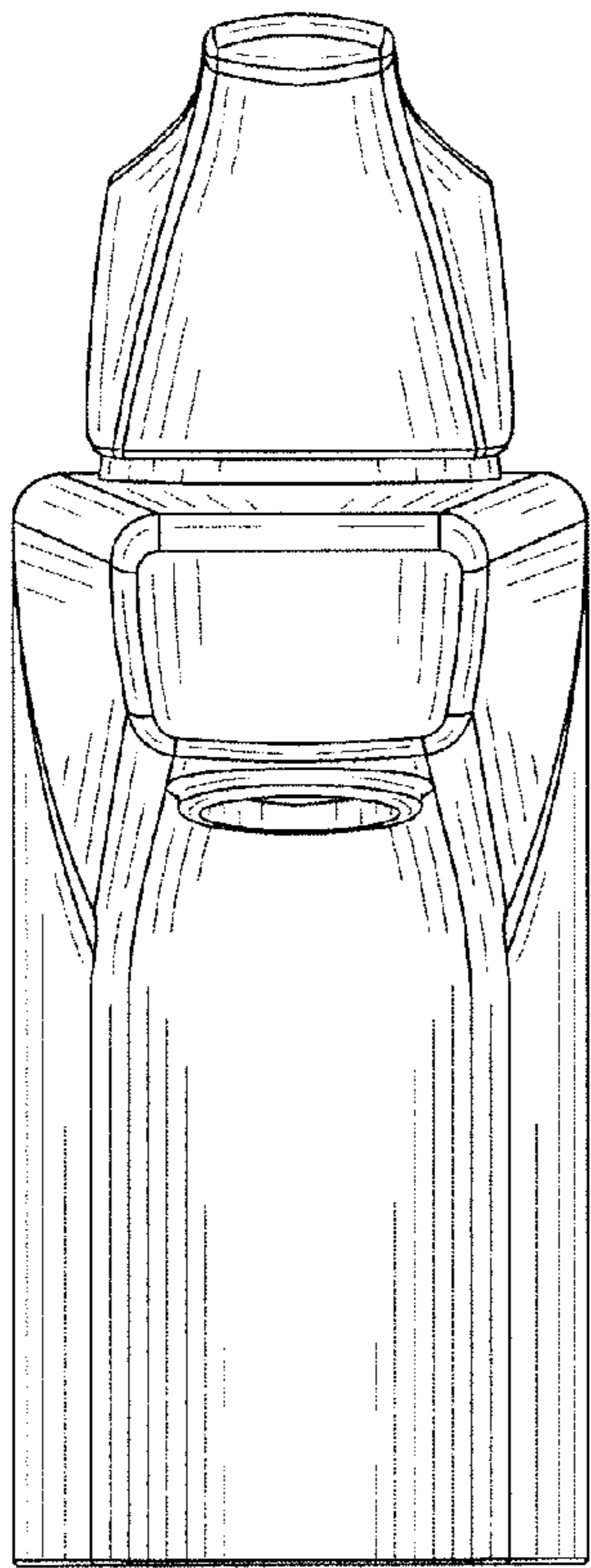


FIG. 6

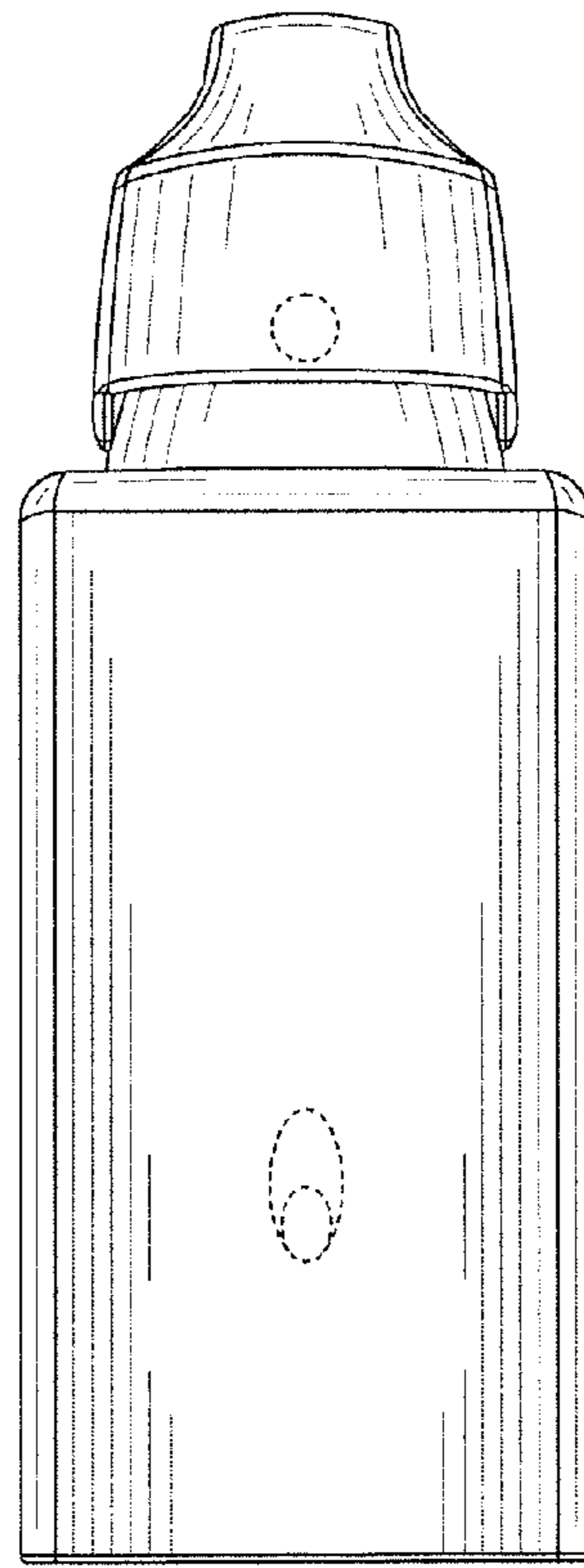


FIG. 7