



US00D723660S

(12) **United States Design Patent**
Hatta et al.

(10) **Patent No.:** **US D723,660 S**
(45) **Date of Patent:** **** Mar. 3, 2015**

- (54) **VALVE**
- (71) Applicants: **Taiyou Hatta**, Tsukubamirai (JP); **Youji Niimi**, Tsukubamirai (JP)
- (72) Inventors: **Taiyou Hatta**, Tsukubamirai (JP); **Youji Niimi**, Tsukubamirai (JP)
- (73) Assignee: **SMC Corporation**, Chiyoda-ku, Tokyo (JP)
- (**) Term: **14 Years**
- (21) Appl. No.: **29/485,658**
- (22) Filed: **Mar. 21, 2014**

4,572,239	A *	2/1986	Koch et al.	137/625.47
4,605,199	A *	8/1986	Bonissone et al.	251/171
D285,478	S *	9/1986	Hengesbach	D23/245
D285,479	S *	9/1986	Hengesbach	D23/245
D291,229	S *	8/1987	Kunz	D23/245
D291,230	S *	8/1987	Kunz	D23/245
4,684,105	A *	8/1987	Haas, II	251/150
D297,254	S *	8/1988	Odate et al.	D23/248
D304,490	S *	11/1989	Hengesbach	D23/245
D318,903	S *	8/1991	Lenberg	D23/245
5,090,447	A *	2/1992	Lewis et al.	137/559
D325,961	S *	5/1992	Hayes	D23/262
D331,964	S *	12/1992	Hengesbach	D23/245
5,232,200	A *	8/1993	Combeau	251/315.01
D345,006	S *	3/1994	Gallagher et al.	D23/245
D366,693	S *	1/1996	Gregor	D23/245
D372,073	S *	7/1996	Ozaki et al.	D23/245
D374,066	S *	9/1996	Gregor	D23/233
5,785,074	A *	7/1998	Kieper	137/68.11

(Continued)

- (30) **Foreign Application Priority Data**
- Sep. 26, 2013 (JP) 2013-022288
- (51) **LOC (10) Cl.** **23-01**
- (52) **U.S. Cl.**
- USPC **D23/233**
- (58) **Field of Classification Search**
- CPC F16K 1/00; F16K 15/00; F16K 25/00;
F16K 5/06
- USPC D23/233-269; D15/5, 7; 137/15.04,
137/15.08, 515, 859, 625.47, 454.6; 92/87;
404/25; 251/174, 171, 315.08, 315.11,
251/335.1, 150, 151, 172
- See application file for complete search history.

Primary Examiner — Cynthia Ramirez
Assistant Examiner — Gino Colan
 (74) *Attorney, Agent, or Firm* — Yokoi & Co., U.S.A.;
 Toshiyuki Yokoi

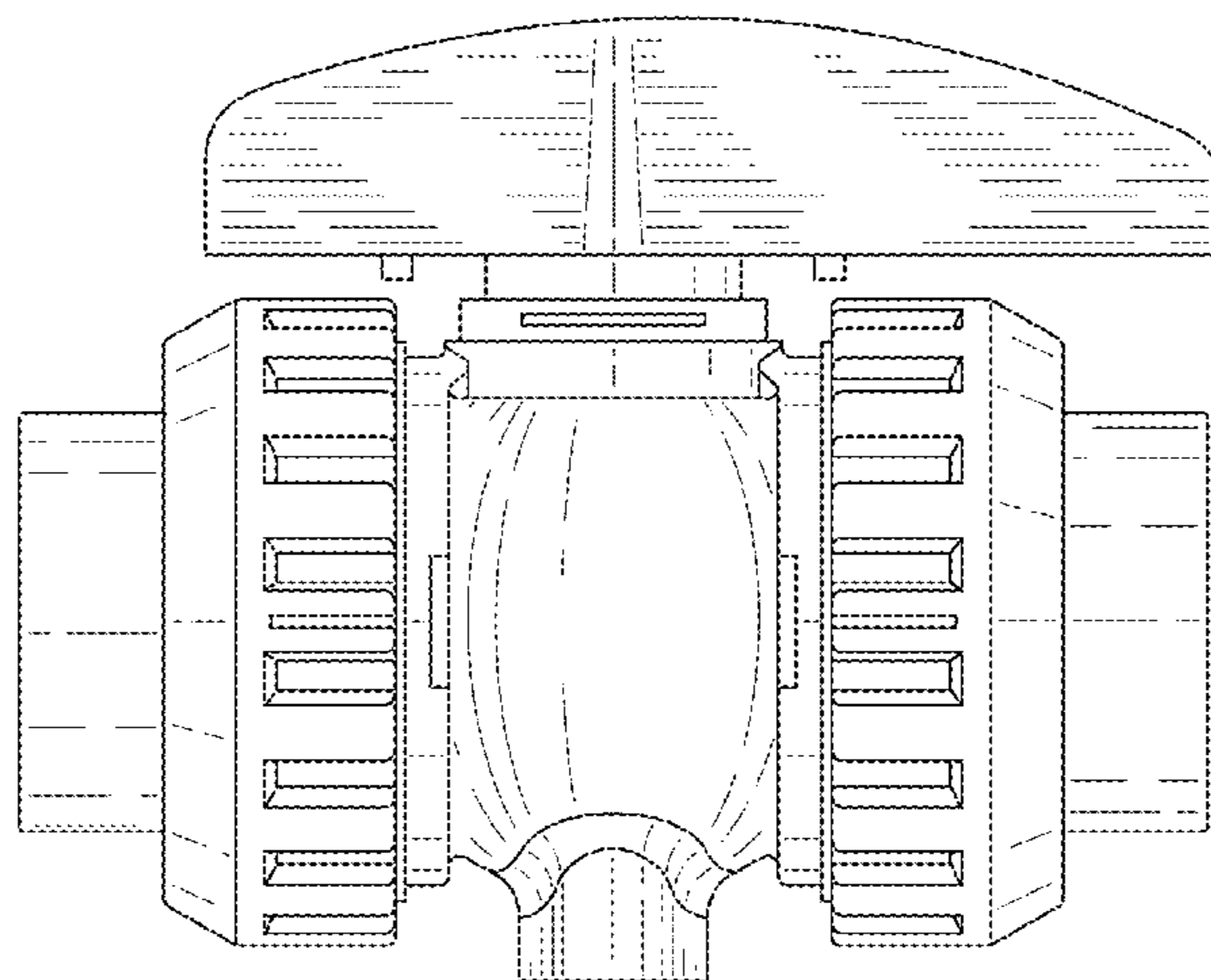
(57) **CLAIM**
 The ornamental design for a valve, as shown and described.

DESCRIPTION

FIG. 1 shows a front view of a valve showing our new design;
 FIG. 2 shows a rear view thereof;
 FIG. 3 shows a right side view thereof;
 FIG. 4 shows a left side view thereof;
 FIG. 5 shows a top view thereof;
 FIG. 6 shows a bottom view thereof;
 FIG. 7 shows a top, front and left side perspective view thereof; and,
 FIG. 8 shows a top, rear and right side perspective view thereof.
 The portions of the design shown in broken lines in FIG. 6 are for the purpose of illustrating the environment only and form no part of the claimed design.

1 Claim, 5 Drawing Sheets

- (56) **References Cited**
- U.S. PATENT DOCUMENTS
- 3,014,690 A * 12/1961 Boteler 251/174
- 3,047,265 A * 7/1962 Kaiser 251/172
- 3,192,948 A * 7/1965 Anderson et al. 137/454.6
- 3,223,111 A * 12/1965 Anderson 137/454.6
- 3,228,652 A * 1/1966 Antrim 251/175
- 3,533,597 A * 10/1970 Bolling 251/174
- 4,103,865 A * 8/1978 Nanba et al. 251/148
- 4,479,513 A * 10/1984 Koch et al. 137/625.47



(56)

References Cited

U.S. PATENT DOCUMENTS

D411,872 S *	7/1999	Mirth et al.	D23/249	D588,232 S *	3/2009	Giacomini	D23/233
D430,922 S *	9/2000	Hung-Lin	D23/245	7,506,665 B2 *	3/2009	Gruener, Sr.	137/797
D448,454 S *	9/2001	Lai	D23/245	D603,480 S *	11/2009	Ibanez Sapina	D23/233
D455,474 S *	4/2002	Knobel et al.	D23/245	7,635,113 B2 *	12/2009	Bearer et al.	251/181
D471,963 S *	3/2003	Chiu	D23/245	D616,068 S *	5/2010	Collins	D23/233
D474,262 S *	5/2003	Pelletz	D23/245	D627,439 S *	11/2010	Mazzacano et al.	D23/252
D497,976 S *	11/2004	Goetz et al.	D23/245	8,245,723 B2 *	8/2012	Mazzacano et al.	137/315.41
D505,184 S *	5/2005	Trappa	D23/245	D678,981 S *	3/2013	Shengyong	D23/233
D522,618 S *	6/2006	Matsushita	D23/245	D686,298 S *	7/2013	Ching et al.	D23/233
D526,387 S *	8/2006	Bonomi	D23/236	8,490,945 B2 *	7/2013	Keeper et al.	251/172
D542,382 S *	5/2007	Cook et al.	D23/233	8,726,927 B2 *	5/2014	Bisio et al.	137/315.41
7,306,010 B2 *	12/2007	Gruener, Sr.	137/797	D708,303 S *	7/2014	Gehrling	D23/233
				2006/0196567 A1 *	9/2006	Gruener	137/797
				2010/0090146 A1 *	4/2010	Keeper et al.	251/172
				2014/0110615 A1 *	4/2014	Fukano et al.	251/231

* cited by examiner

FIG. 1

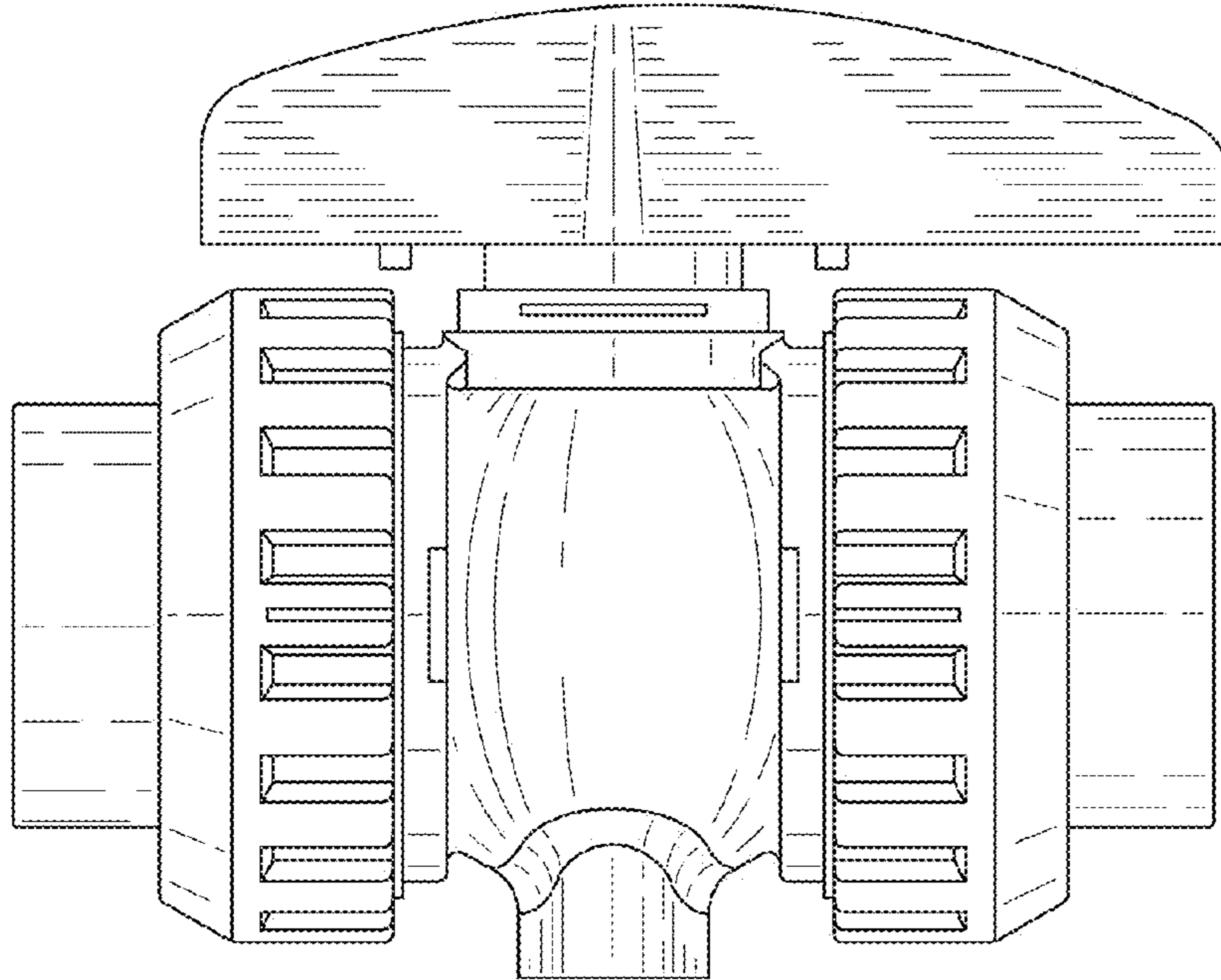


FIG. 2

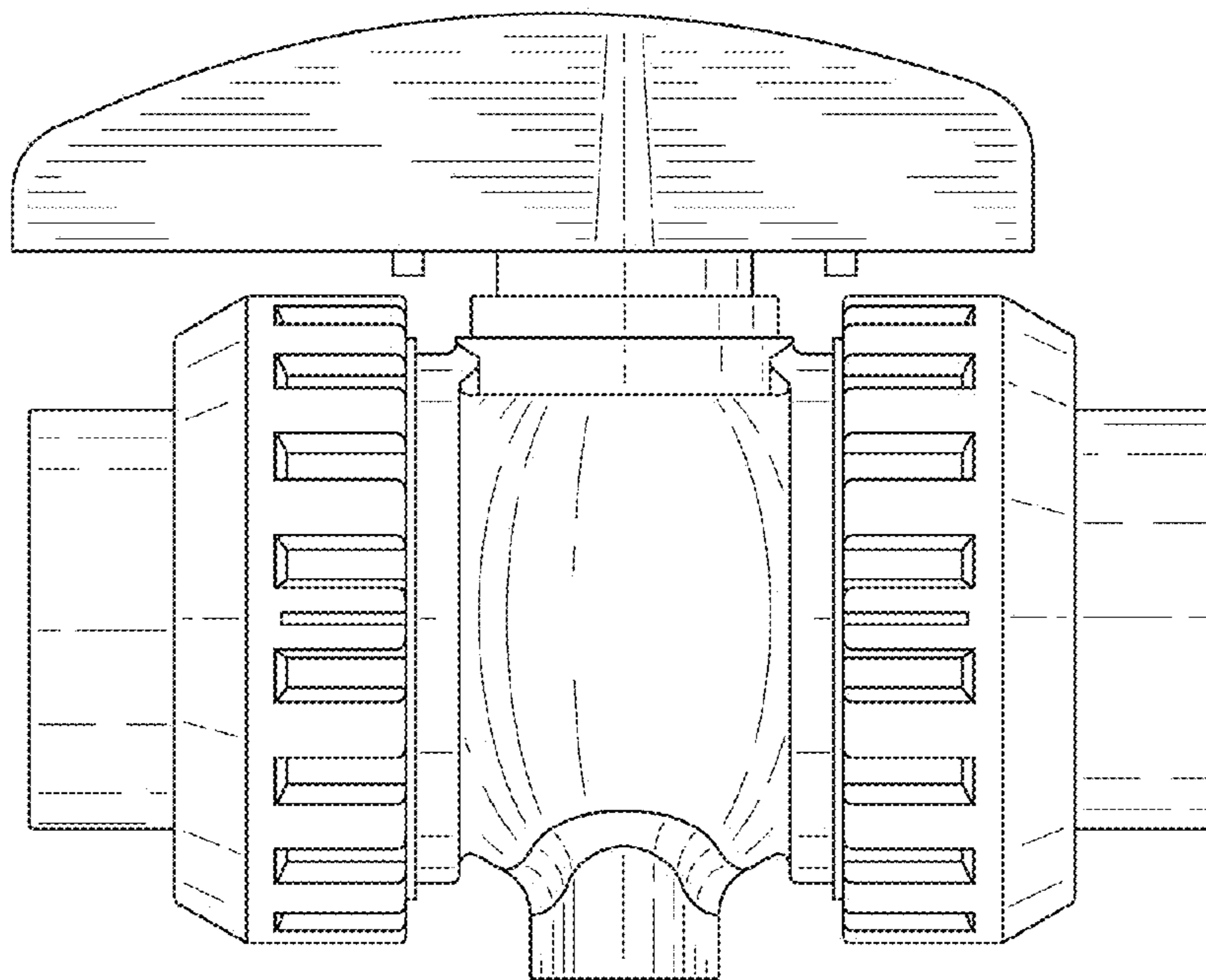


FIG. 3

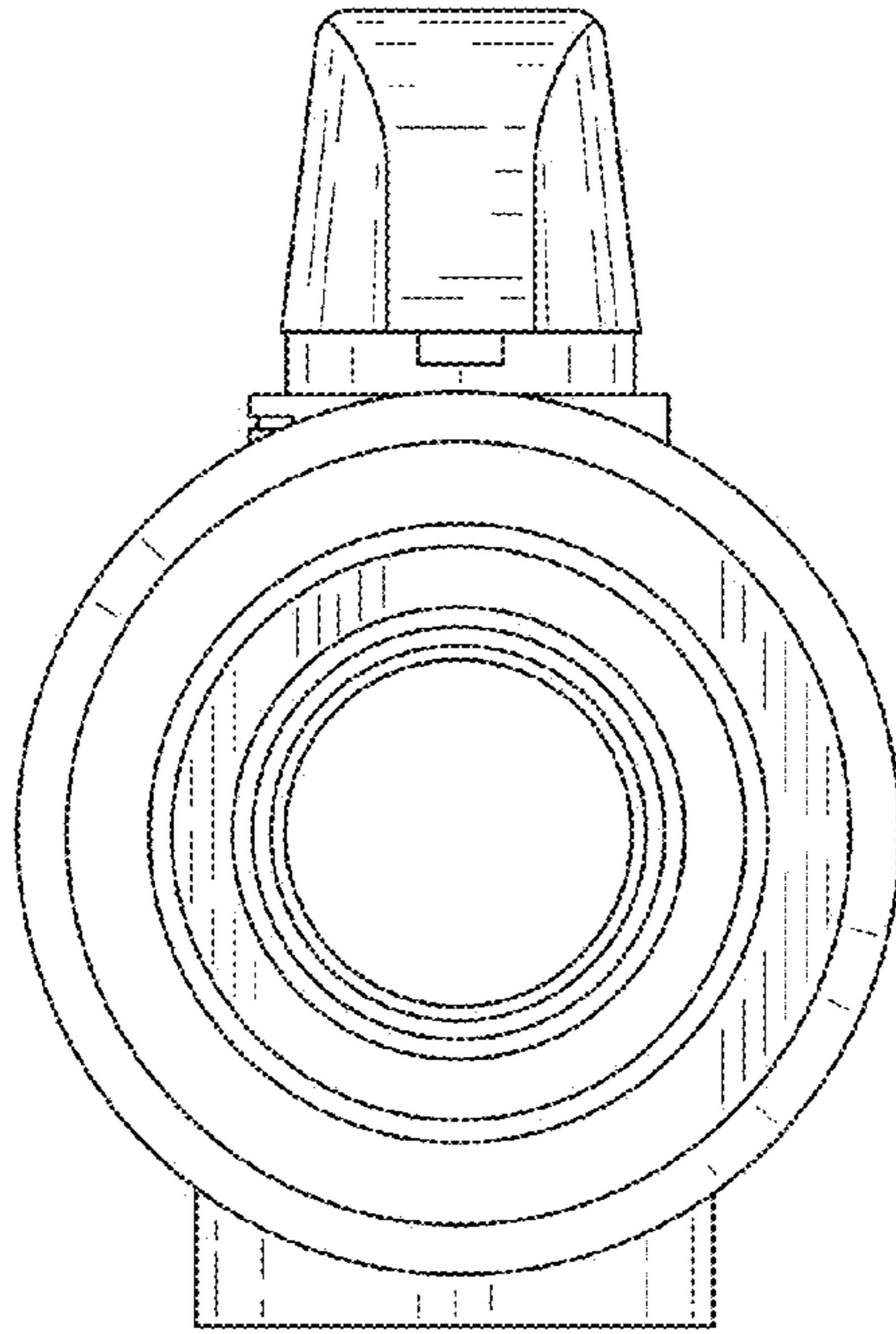


FIG. 4

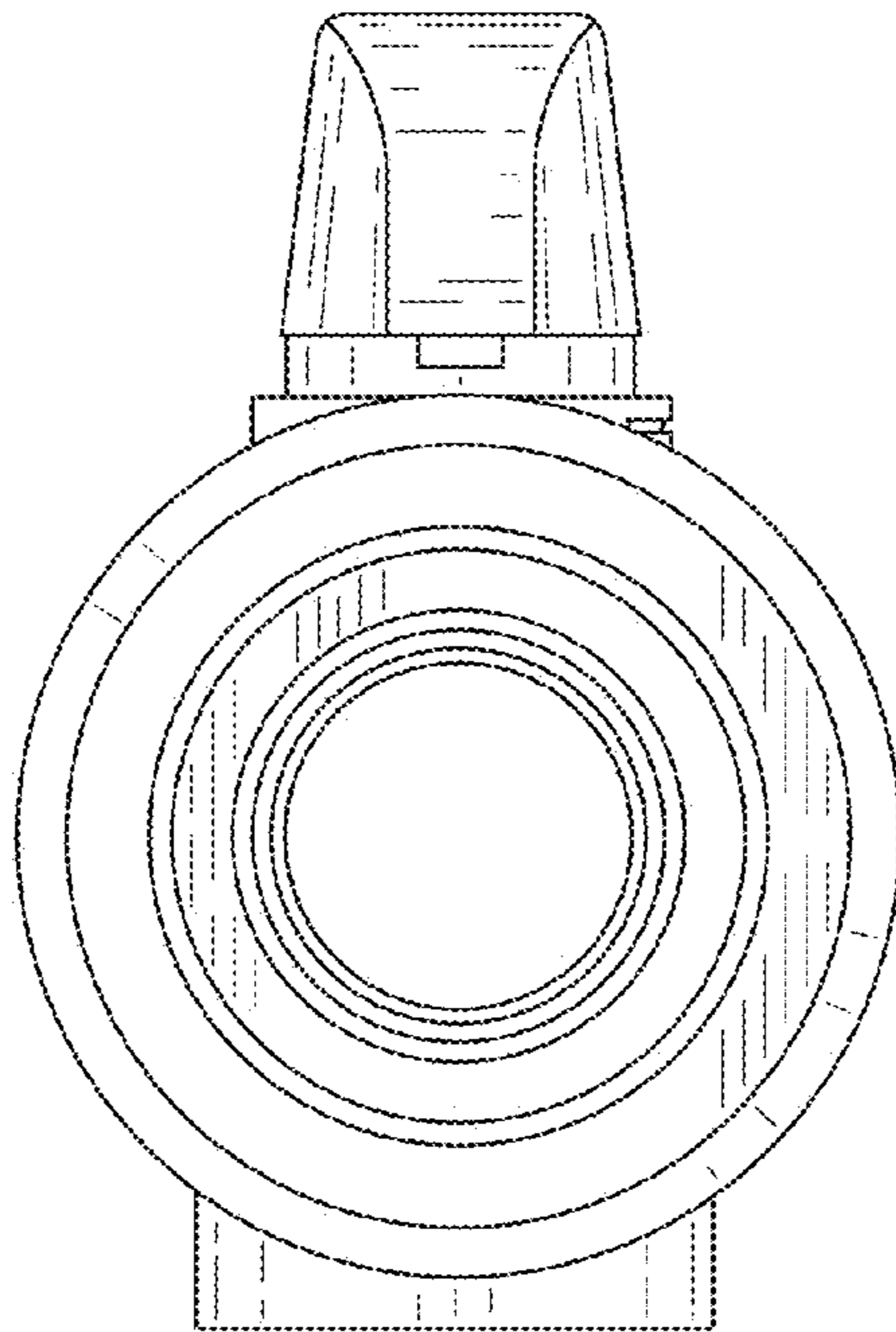


FIG. 5

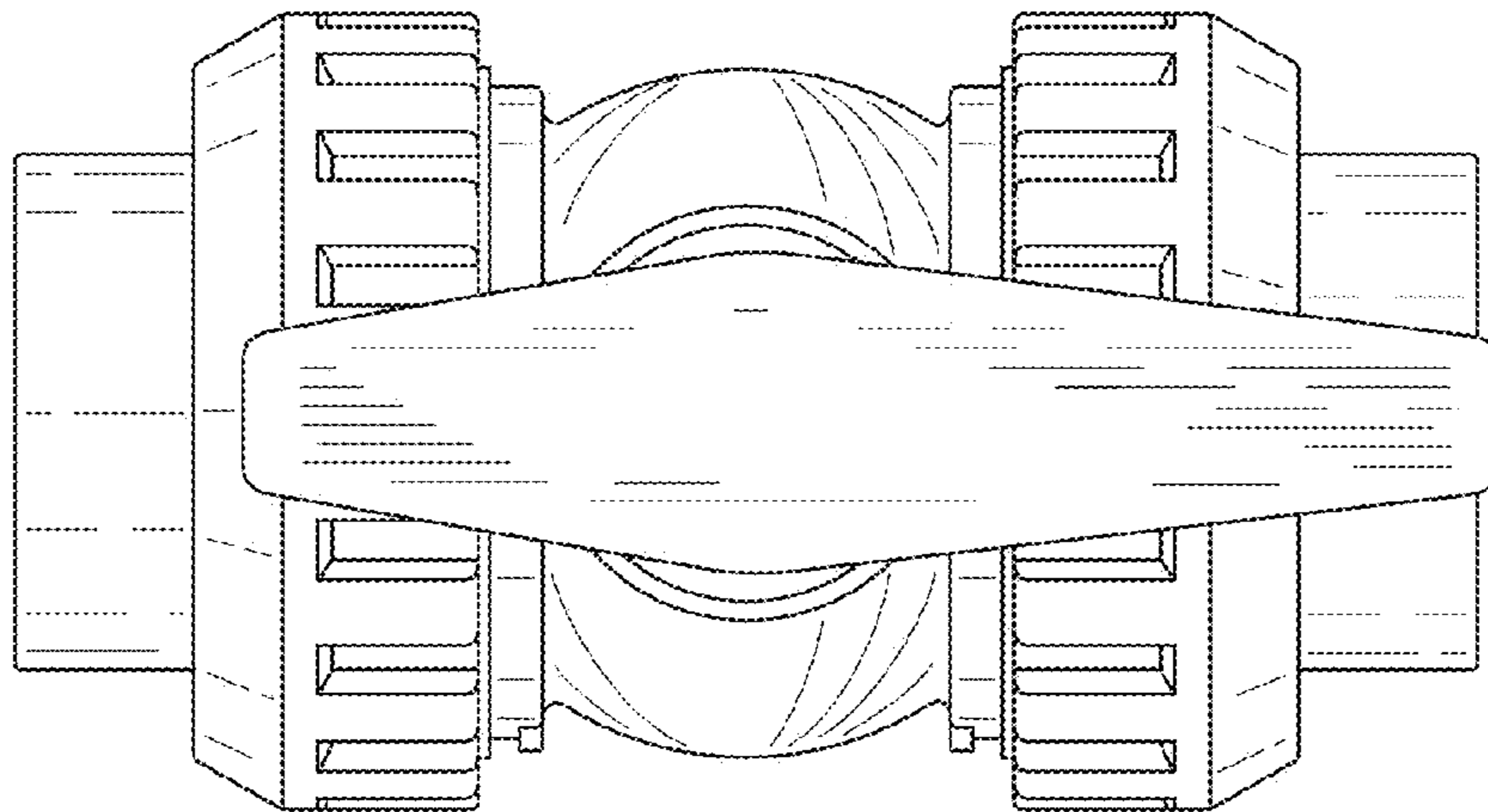


FIG. 6

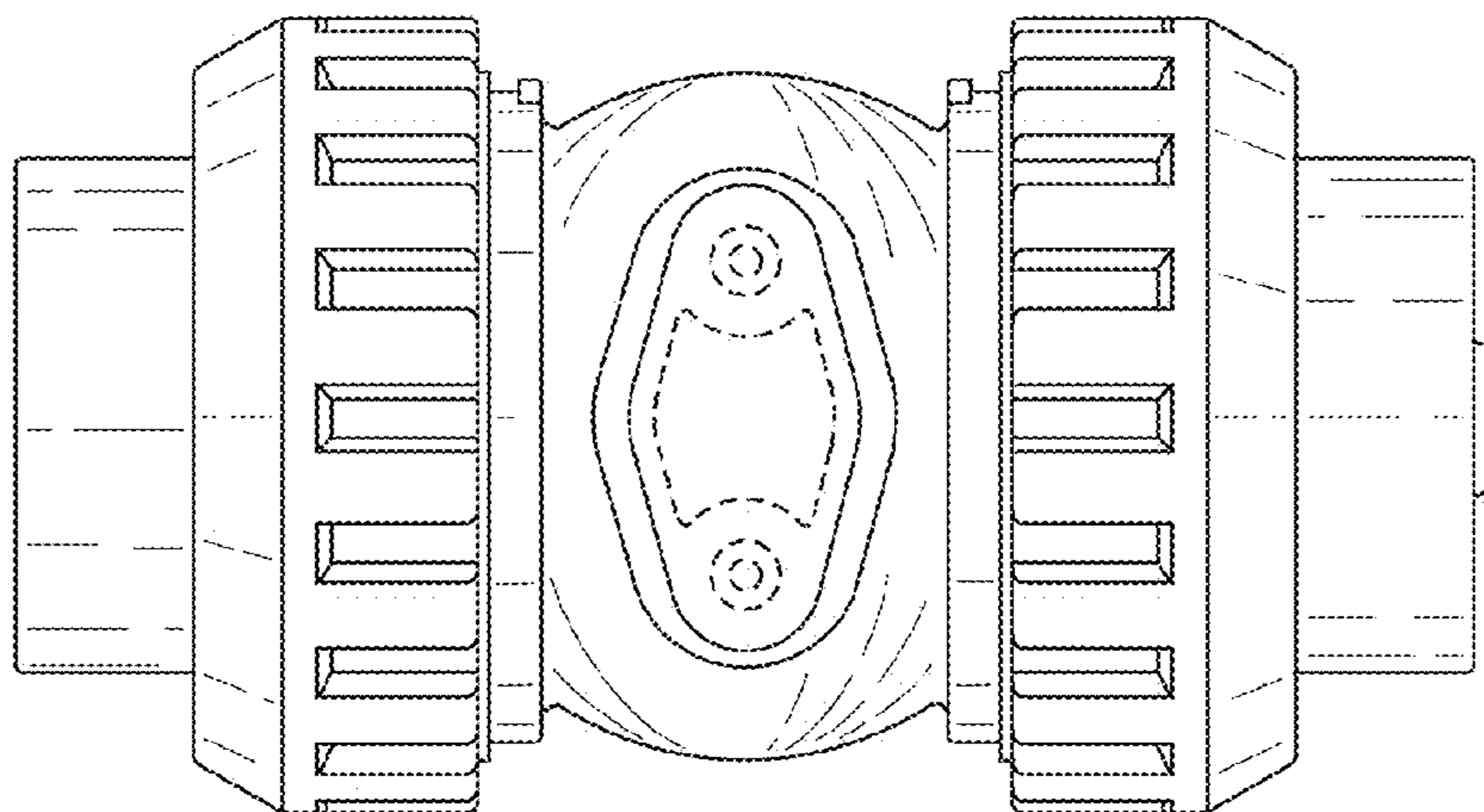


FIG. 7

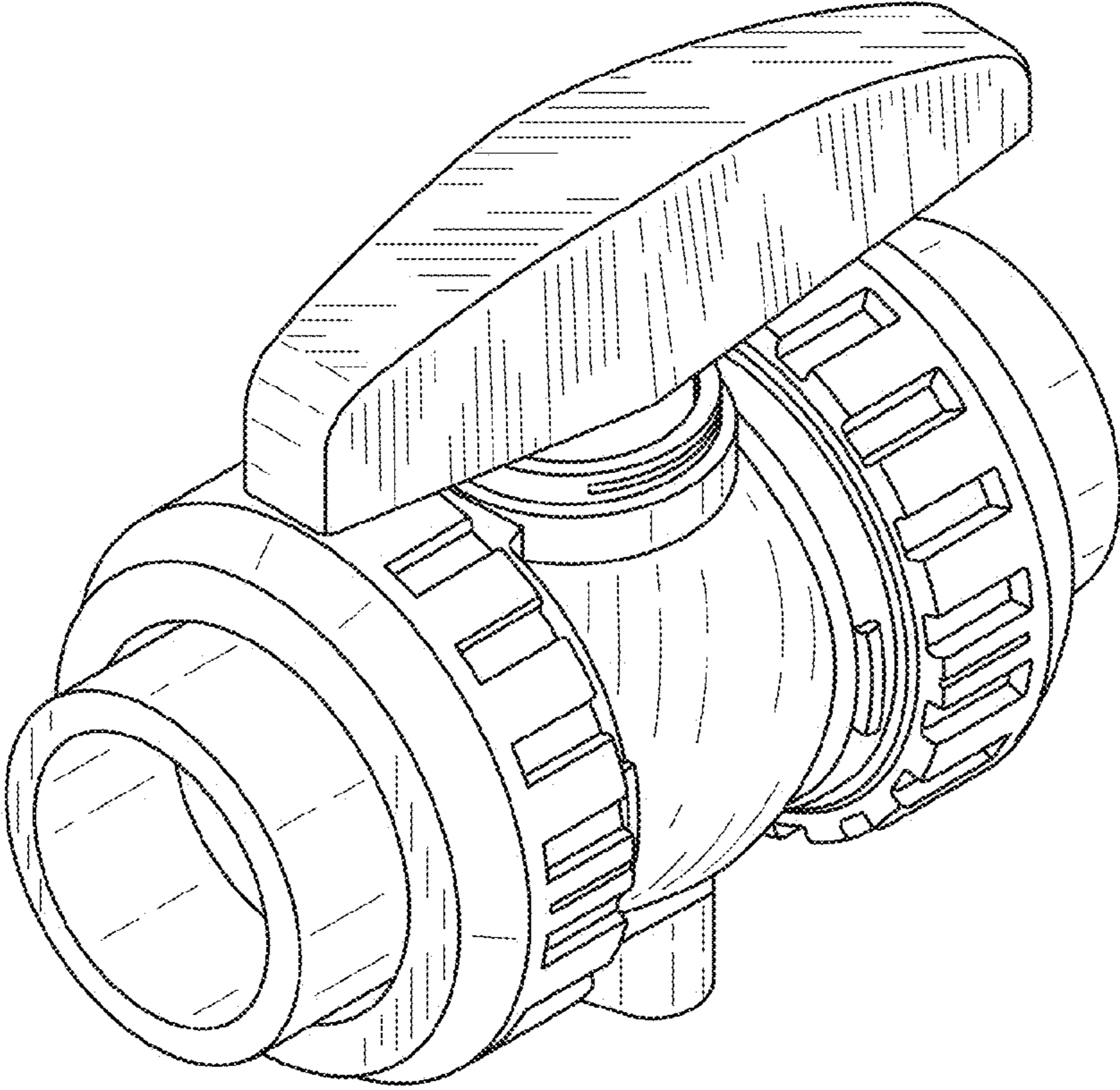


FIG. 8

