



US00D723659S

(12) **United States Design Patent**
Tullney et al.

(10) **Patent No.:** **US D723,659 S**
(45) **Date of Patent:** **** Mar. 3, 2015**

(54) **SPRAY GUN FOR PAINT**

(56) **References Cited**

(71) Applicant: **J. Wagner GmbH**, Markdorf (DE)

U.S. PATENT DOCUMENTS

(72) Inventors: **Heiko Tullney**, Hamburg (DE); **Guenter Wissmann**, Schenefeld (DE)

D503,215	S	*	3/2005	Stevens et al.	D23/225
D519,603	S	*	4/2006	Schumann et al.	D23/225
7,303,149	B1	*	12/2007	Huang	239/332
7,891,588	B2	*	2/2011	Jones et al.	239/600
D664,628	S	*	7/2012	Zhou et al.	D23/225
D672,434	S	*	12/2012	Perez	D23/225
D693,428	S	*	11/2013	Tullney et al.	D23/225
D713,500	S	*	9/2014	Muhl et al.	D23/225

(73) Assignee: **J. Wagner GmbH**, Markdorf (DE)

(**) Term: **14 Years**

* cited by examiner

(21) Appl. No.: **29/469,796**

Primary Examiner — Robin V Webster

(22) Filed: **Oct. 15, 2013**

(74) *Attorney, Agent, or Firm* — Burr & Brown, PLLC

(30) **Foreign Application Priority Data**

(57) **CLAIM**

The ornamental design for a spray gun for paint, as shown and described.

Oct. 10, 2013 (EM) 002324095

DESCRIPTION

(51) **LOC (10) Cl.** **23-01**

FIG. 1 is a front perspective view of a spray gun for paint illustrating our new design;

(52) **U.S. Cl.**

FIG. 2 is a left side view thereof;

USPC **D23/225**

FIG. 3 is a right side view thereof;

(58) **Field of Classification Search**

CPC B05B 9/0855

FIG. 4 is a front view thereof;

USPC D23/213, 225, 223, 226; 361/227, 228;

FIG. 5 is a rear view thereof;

239/332, 333, DIG. 14; 222/465.1,

FIG. 6 is a top view thereof; and,

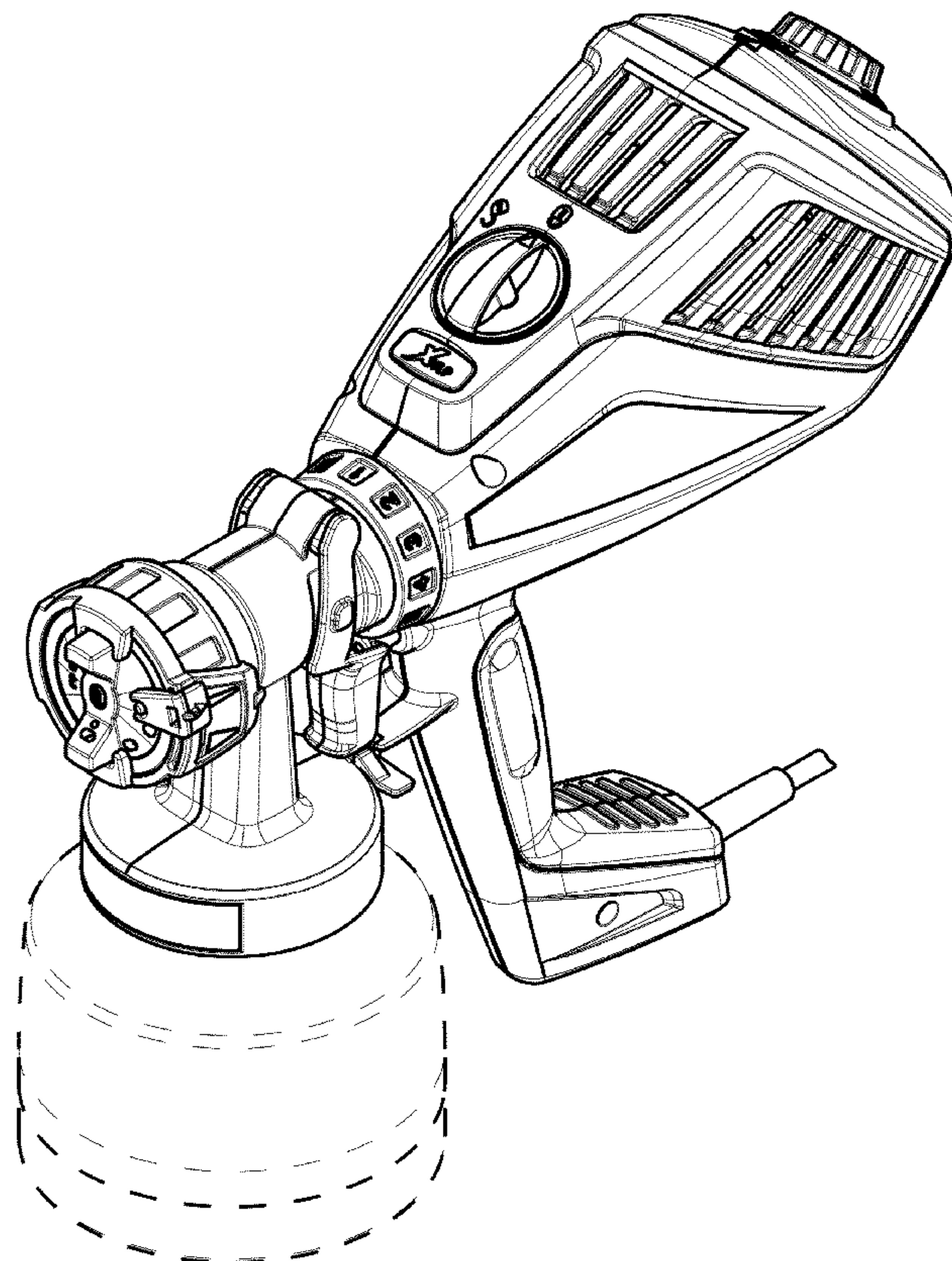
222/383.1

FIG. 7 is a bottom view thereof.

See application file for complete search history.

The broken line showing is included for the purpose of illustrating and forms no part of the claimed design.

1 Claim, 7 Drawing Sheets



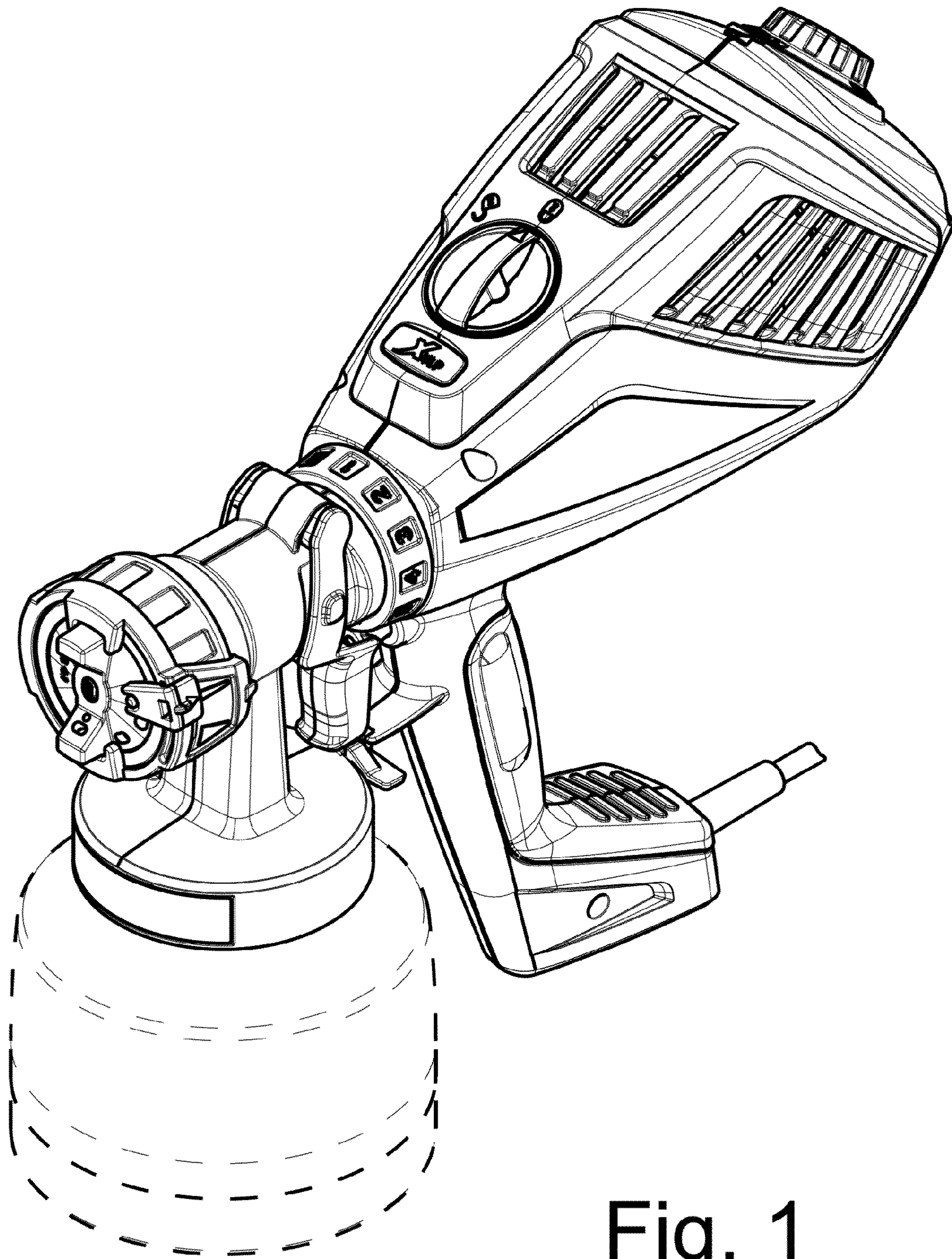


Fig. 1

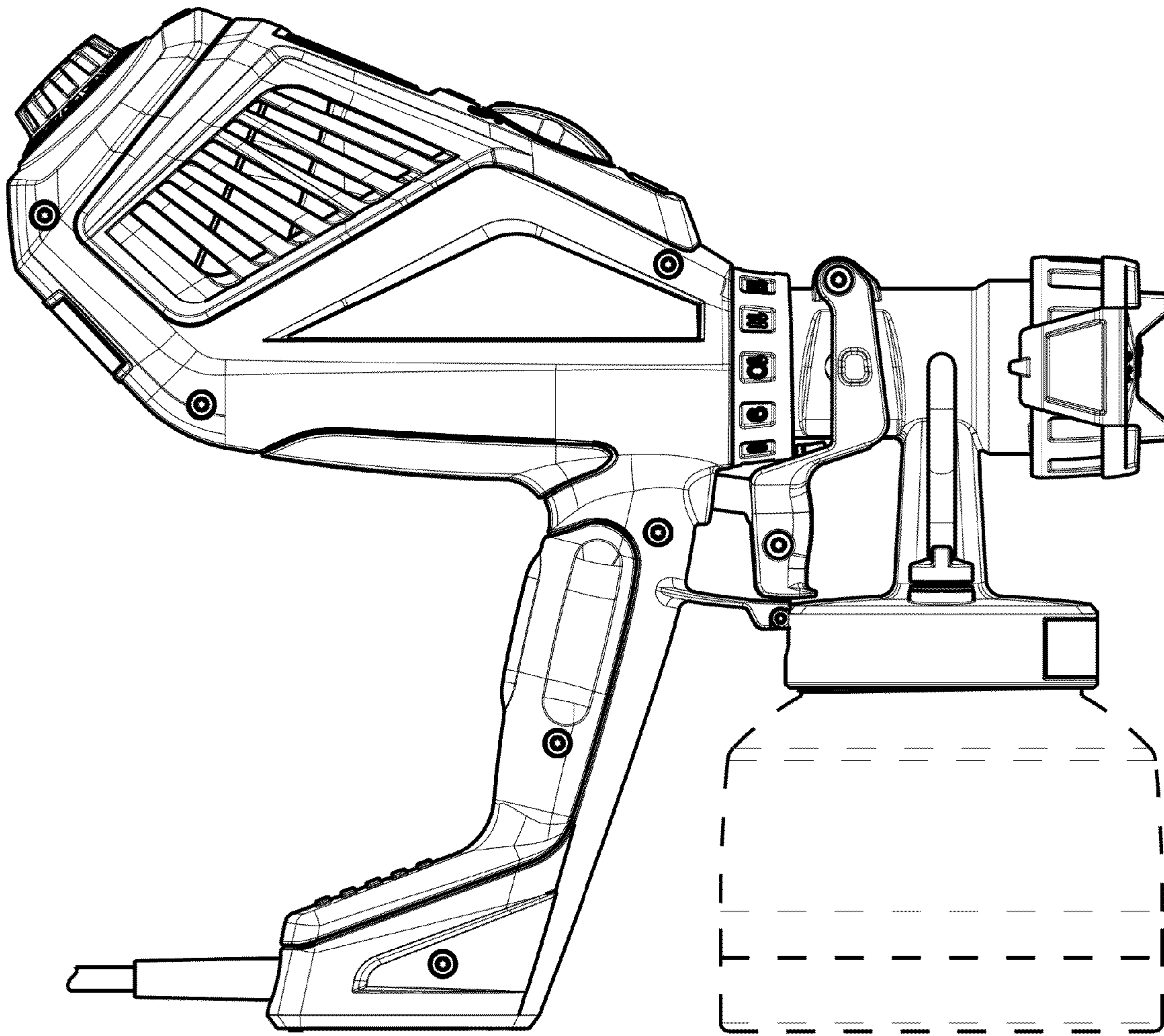


Fig. 2

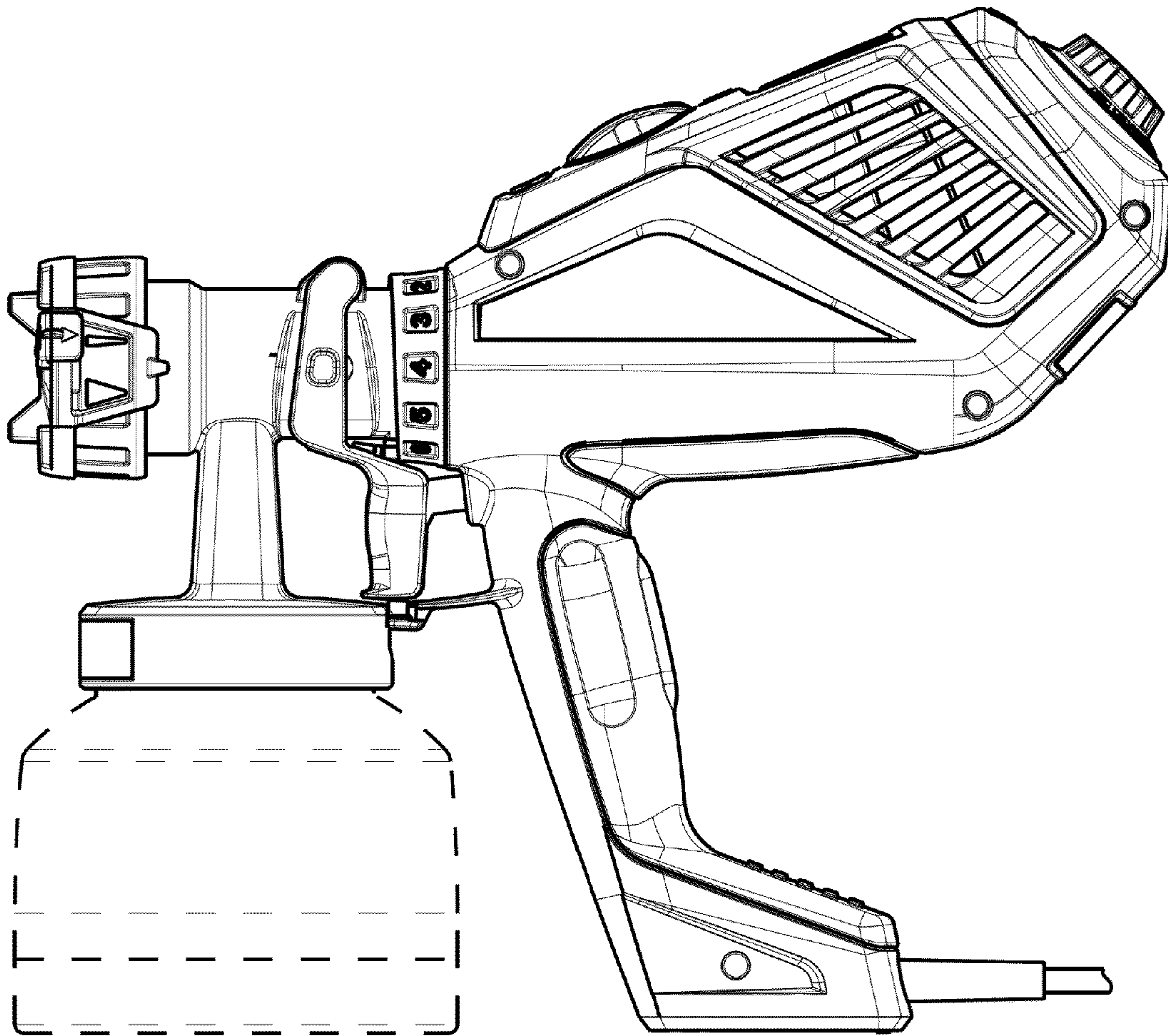


Fig. 3

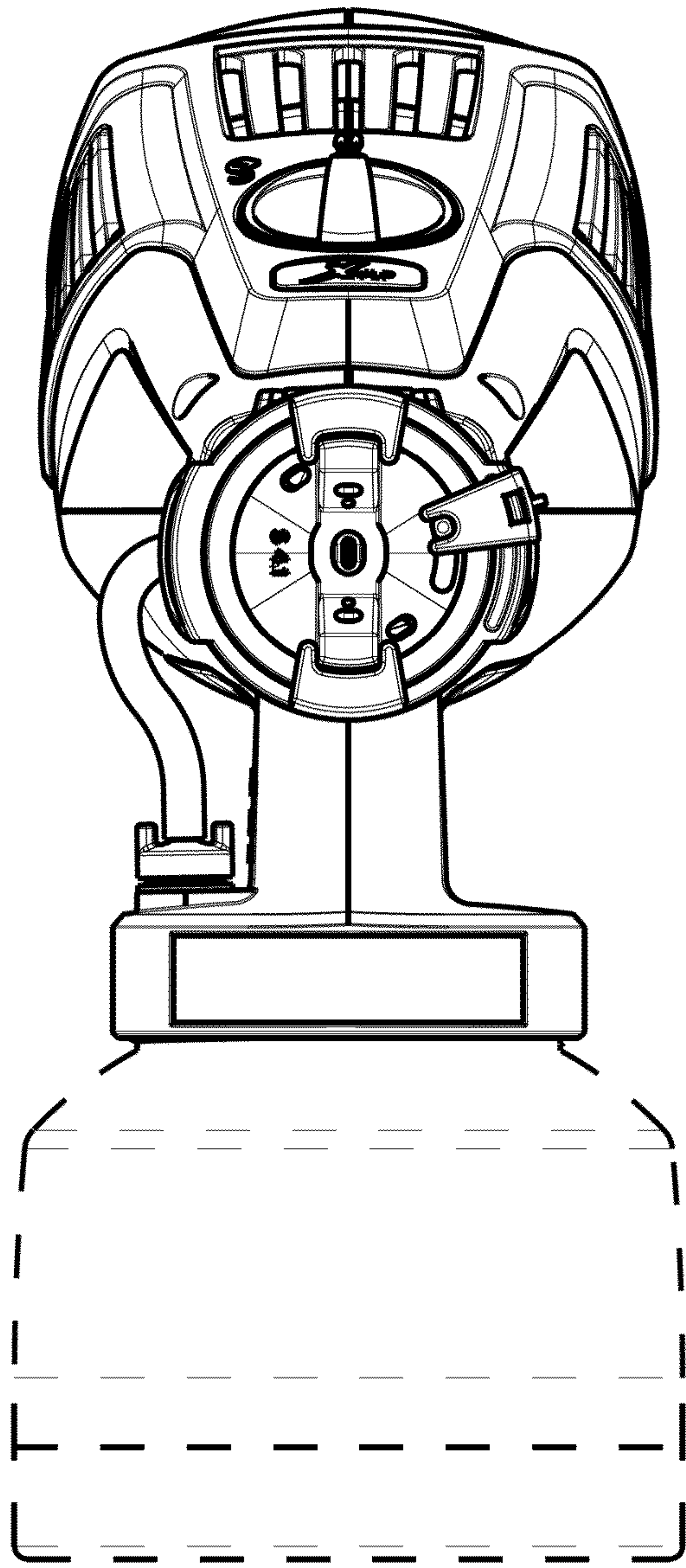


Fig. 4

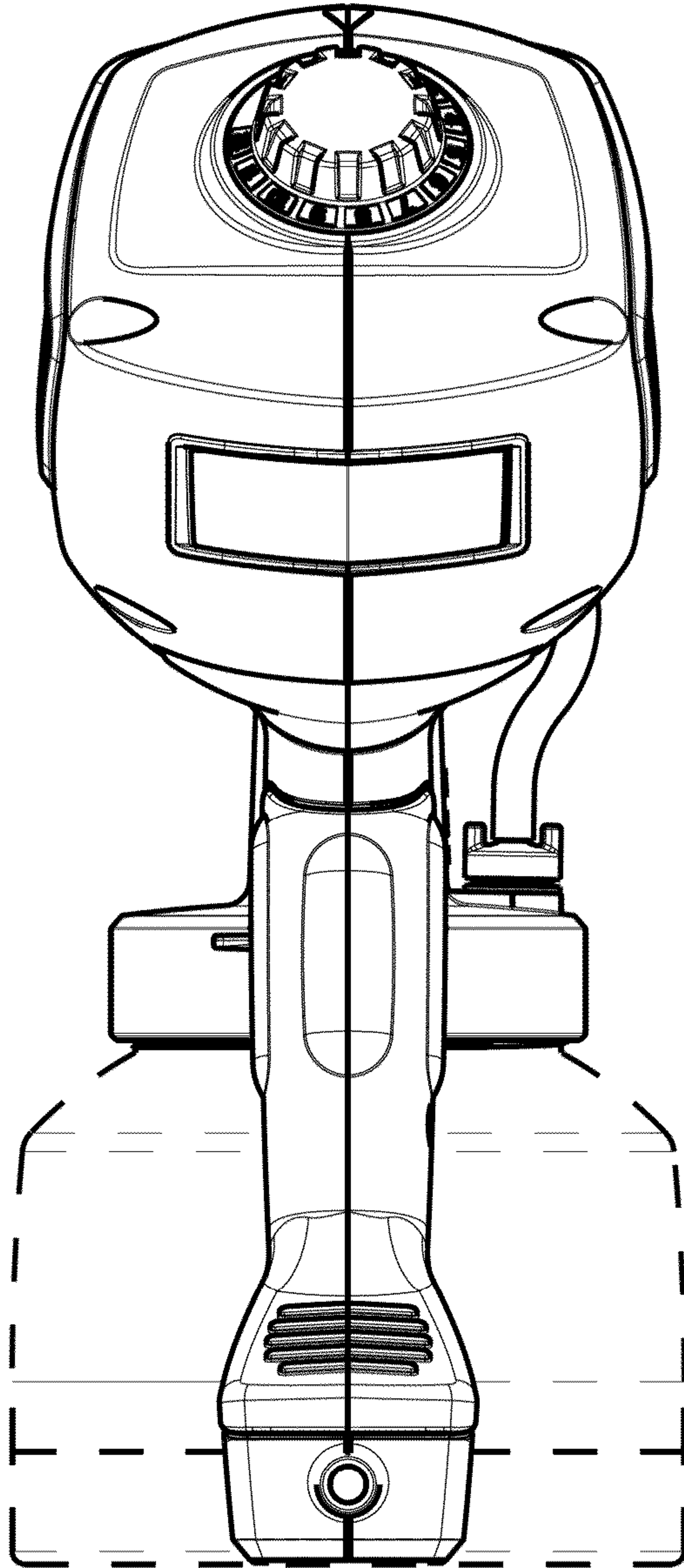


Fig. 5

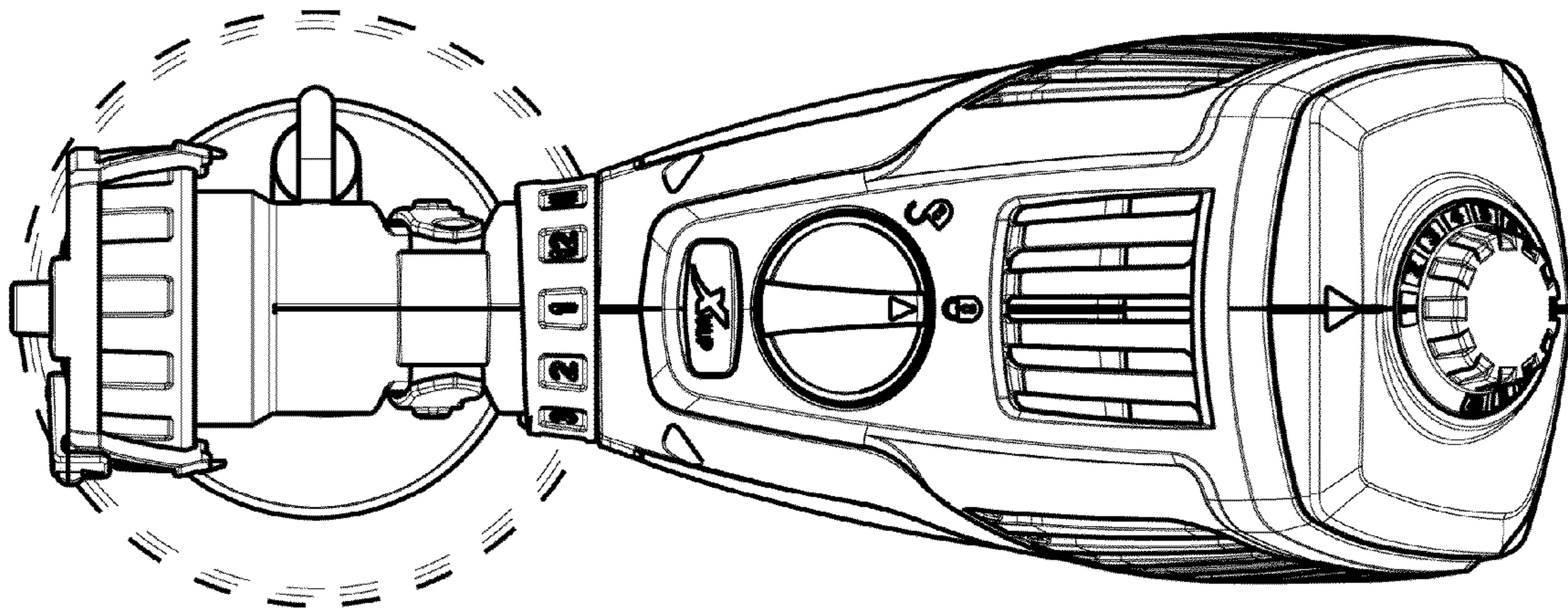


Fig. 6

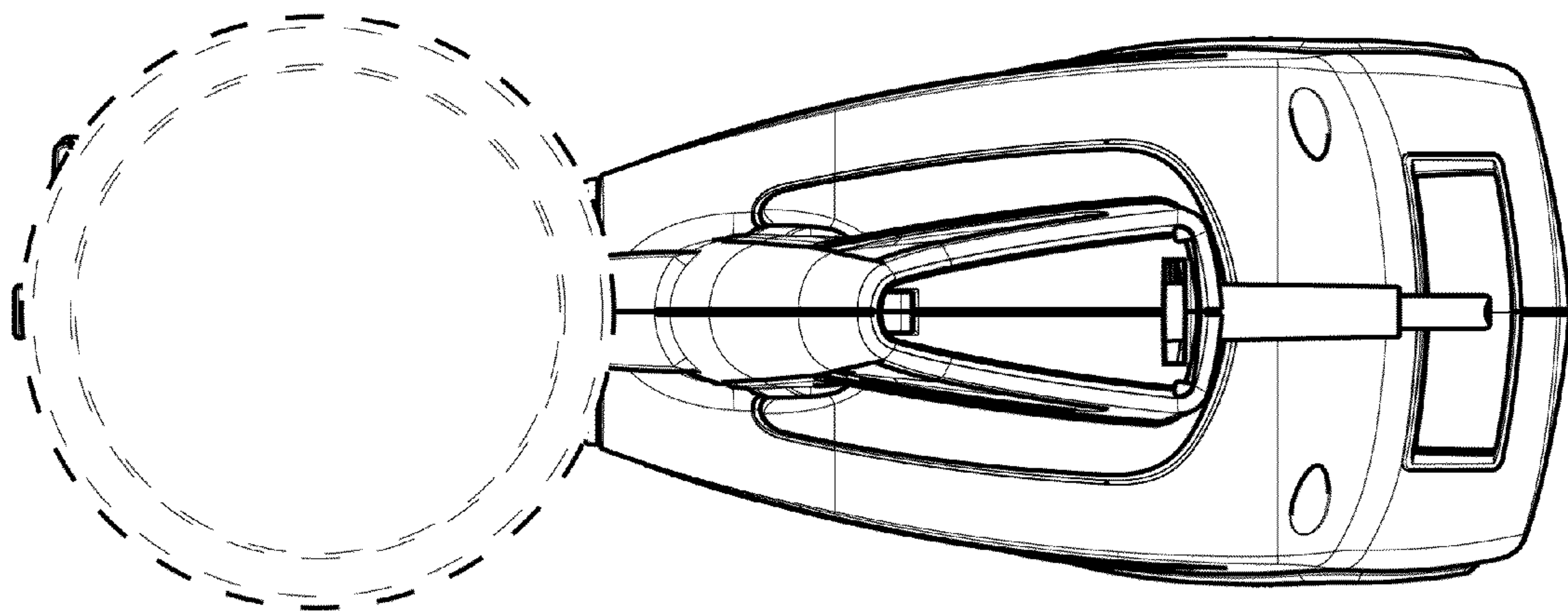


Fig. 7