



US00D723658S

(12) **United States Design Patent**
Meister

(10) **Patent No.:** **US D723,658 S**
(45) **Date of Patent:** **** Mar. 3, 2015**

- (54) **AIR CANNON NOZZLE**
- (71) Applicant: **Martin Engineering Company**,
Neponset, IL (US)
- (72) Inventor: **Oleg Meister**, Bad Schwaebach (DE)
- (73) Assignee: **Martin Engineering Company**,
Neponset, IL (US)
- (**) Term: **14 Years**
- (21) Appl. No.: **29/468,553**
- (22) Filed: **Oct. 1, 2013**
- (51) **LOC (10) Cl.** **23-01**
- (52) **U.S. Cl.**
USPC **D23/213**
- (58) **Field of Classification Search**
USPC D23/213; 266/265; 239/601, 589.1;
15/405; 134/22.18
See application file for complete search history.

D569,477	S	*	5/2008	Fulkerson et al.	D23/213
D639,903	S	*	6/2011	Plotzitzka et al.	D23/213
7,968,047	B2	*	6/2011	Moore	266/265
8,236,235	B2	*	8/2012	Miller et al.	266/265
D670,356	S	*	11/2012	Sanwald	D23/213
8,353,469	B2	*	1/2013	Fulkerson et al.	239/704

* cited by examiner

Primary Examiner — Robin V Webster

(74) *Attorney, Agent, or Firm* — Thompson Coburn LLP;
Clyde L. Smith

(57) **CLAIM**

The ornamental design for an air cannon nozzle, as shown and described.

DESCRIPTION

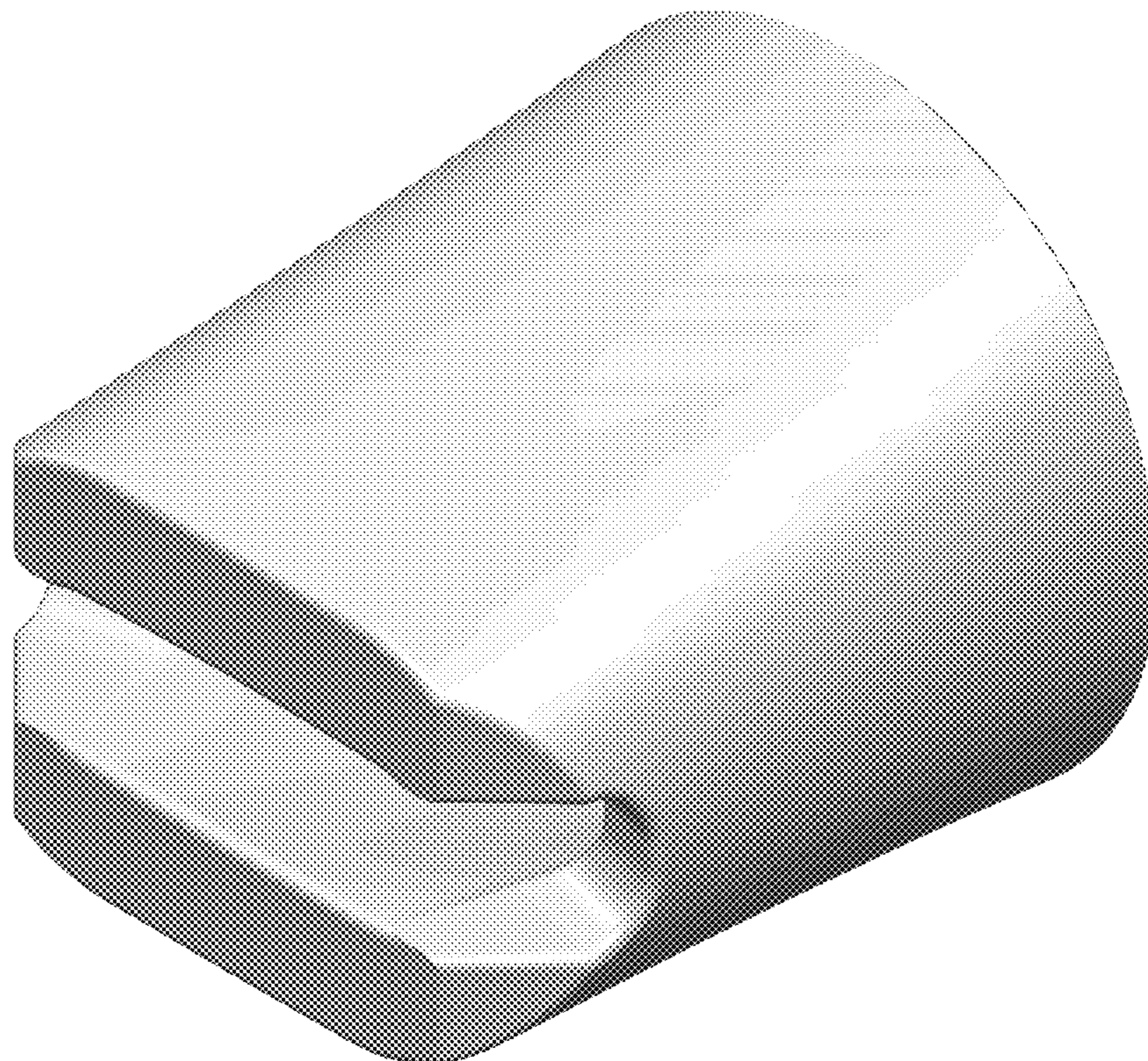
FIG. 1 is a front view of the design for an air cannon nozzle. FIG. 2 is a rear view of the design for an air cannon nozzle. FIG. 3 is a top view of the design for an air cannon nozzle, the bottom view being a mirror image thereof. FIG. 4 is a right view of the design for an air cannon nozzle, the left view being a mirror image thereof). FIG. 5 is a perspective view of the design for an air cannon nozzle showing the front, right, and top views thereof; and, FIG. 6 is a perspective view of the design for an air cannon nozzle showing the rear, top, and left views thereof.

1 Claim, 4 Drawing Sheets

(56) **References Cited**

U.S. PATENT DOCUMENTS

3,521,824	A	*	7/1970	Wilcox	239/424.5
4,331,296	A	*	5/1982	Levey	239/288
7,128,283	B1	*	10/2006	Shahin	239/600
D532,863	S	*	11/2006	Mather et al.	D23/213
7,219,849	B1	*	5/2007	Hedger	239/543
D568,439	S	*	5/2008	Fulkerson et al.	D23/213



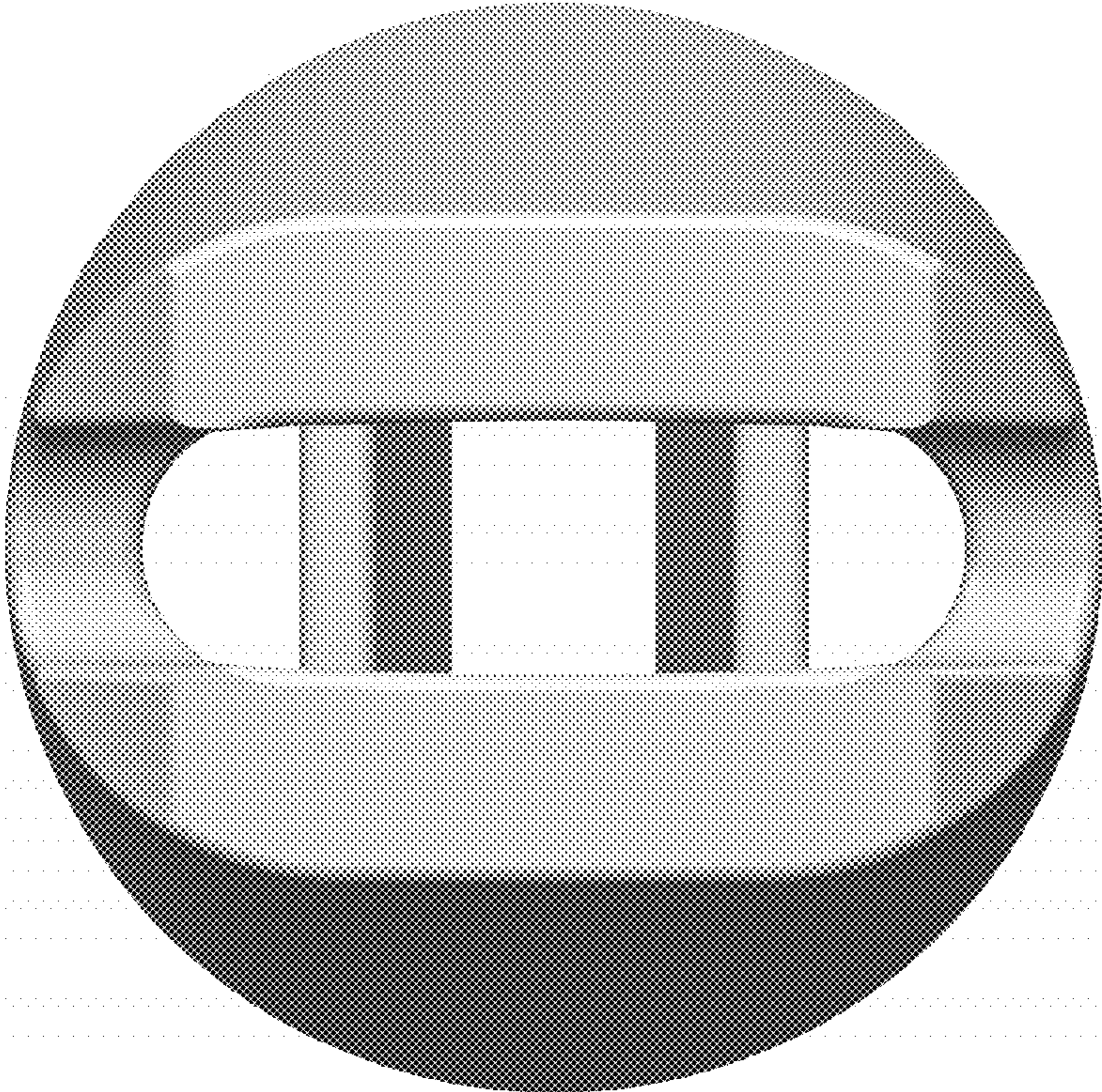


FIG. 1

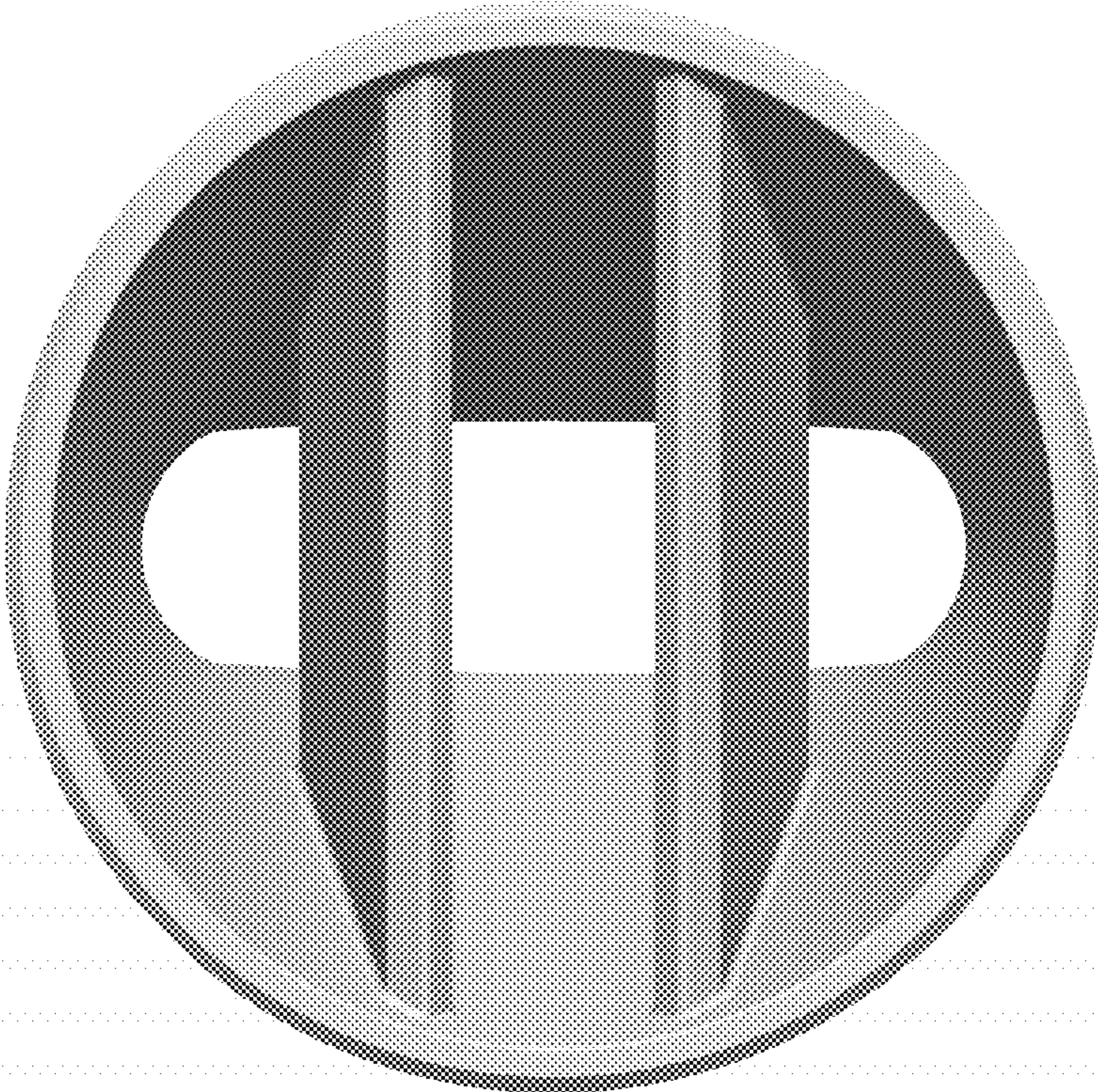


FIG. 2



FIG. 3

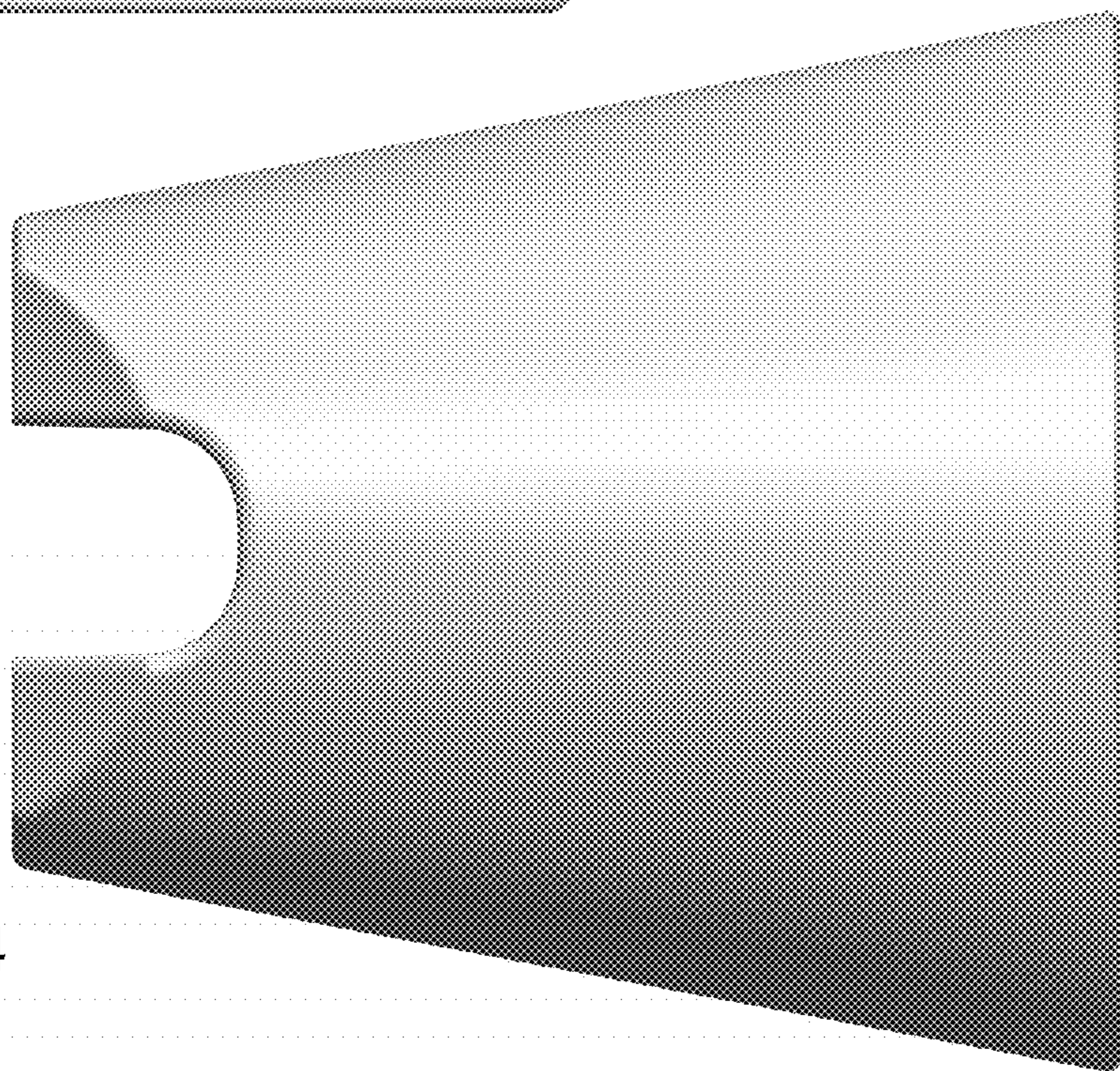


FIG. 4

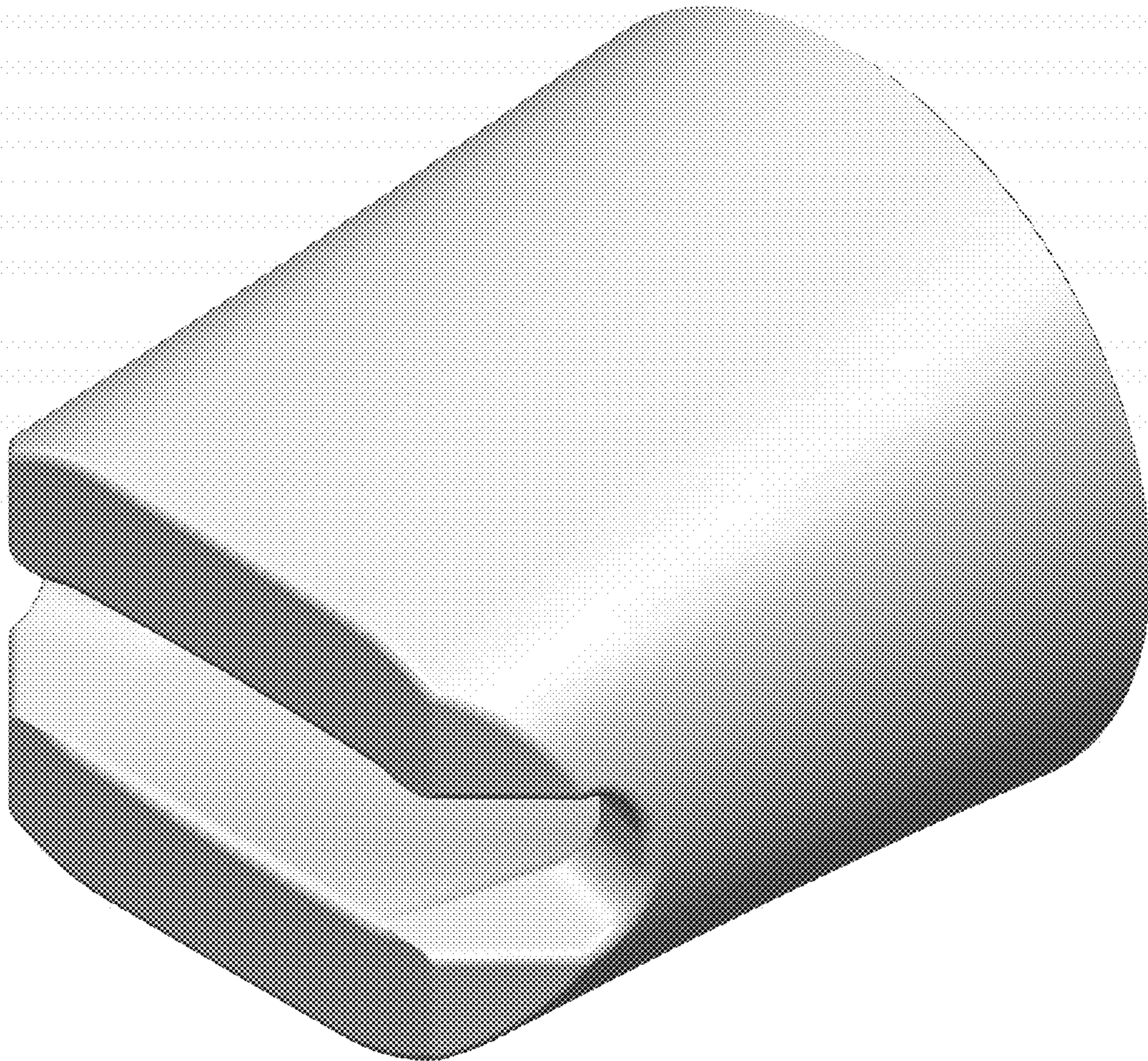


FIG. 5

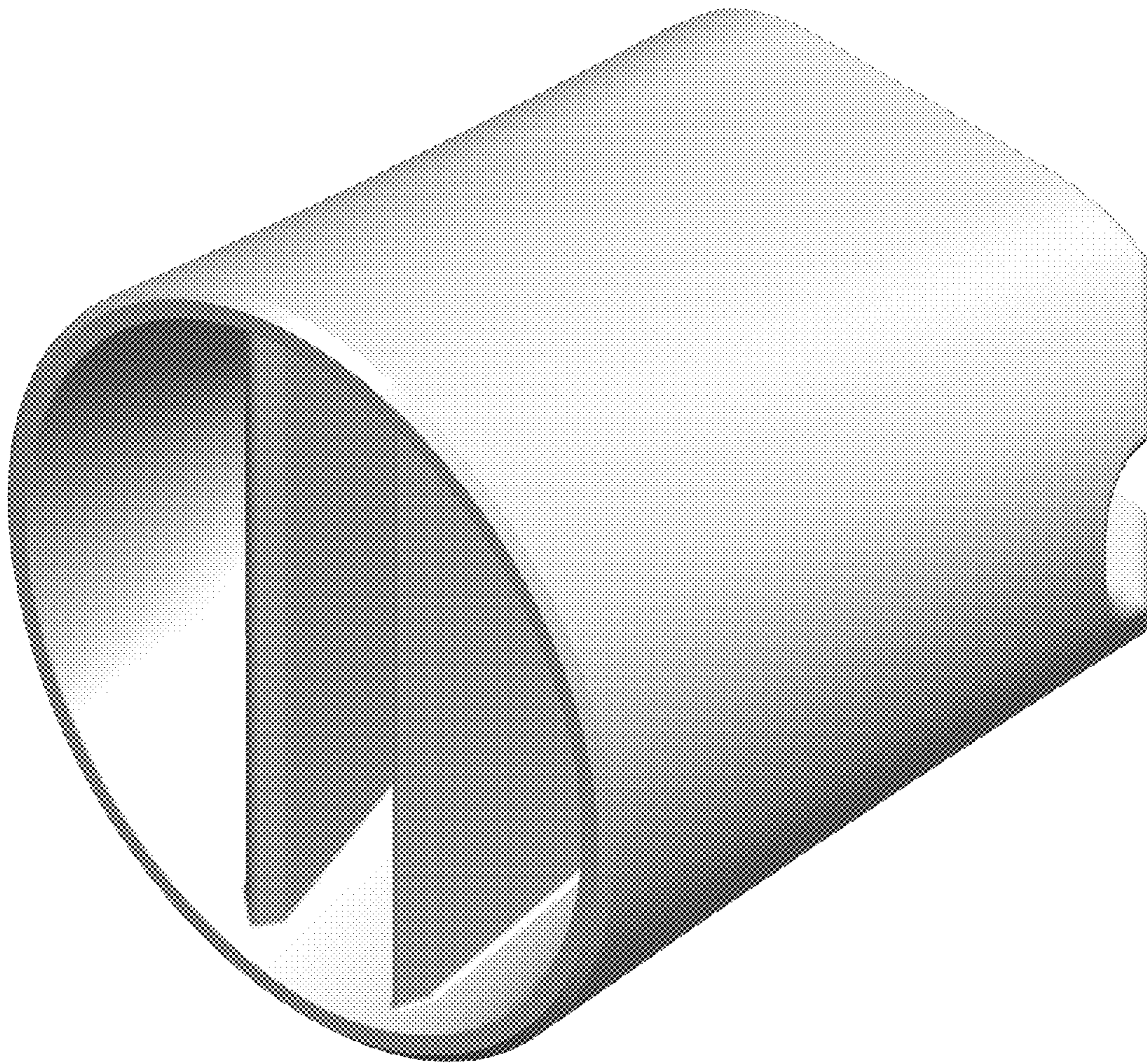


FIG. 6