



US00D723657S

(12) **United States Design Patent**
Lee

(10) **Patent No.:** **US D723,657 S**
(45) **Date of Patent:** **** Mar. 3, 2015**

- (54) **SPRAYER NOZZLE**
- (71) Applicant: **Seungyeon Lee**, Seoul (KR)
- (72) Inventor: **Seungyeon Lee**, Seoul (KR)
- (**) Term: **14 Years**
- (21) Appl. No.: **29/456,423**
- (22) Filed: **May 31, 2013**
- (51) **LOC (10) Cl.** **23-01**
- (52) **U.S. Cl.**
USPC **D23/213**
- (58) **Field of Classification Search**
USPC D23/213; 239/548, 558; 169/37
See application file for complete search history.

7,588,199 B2 * 9/2009 Huffman 239/416.5
 7,841,419 B2 * 11/2010 Manthey et al. 169/44
 D657,014 S * 4/2012 Seiz D23/213

* cited by examiner

Primary Examiner — Robin V Webster
 (74) *Attorney, Agent, or Firm* — Steven M. Greenberg;
 CRGO Law

(57) **CLAIM**
 The ornamental design for a sprayer nozzle, as shown and described.

DESCRIPTION

FIG. 1 is a perspective view of a sprayer nozzle in accordance with the new design;
 FIG. 2 is a front view thereof;
 FIG. 3 is backside view thereof;
 FIG. 4 is a left view thereof;
 FIG. 5 is right side view thereof;
 FIG. 6 is a plan view thereof; and,
 FIG. 7 is a bottom view thereof.

- (56) **References Cited**
 U.S. PATENT DOCUMENTS
 1,080,594 A * 12/1913 Schuller 239/429
 D355,020 S * 1/1995 Mehoudar D23/213
 6,315,219 B1 * 11/2001 Palestrant 239/550
 D511,818 S * 11/2005 Tomlin, Sr. D23/259

1 Claim, 7 Drawing Sheets

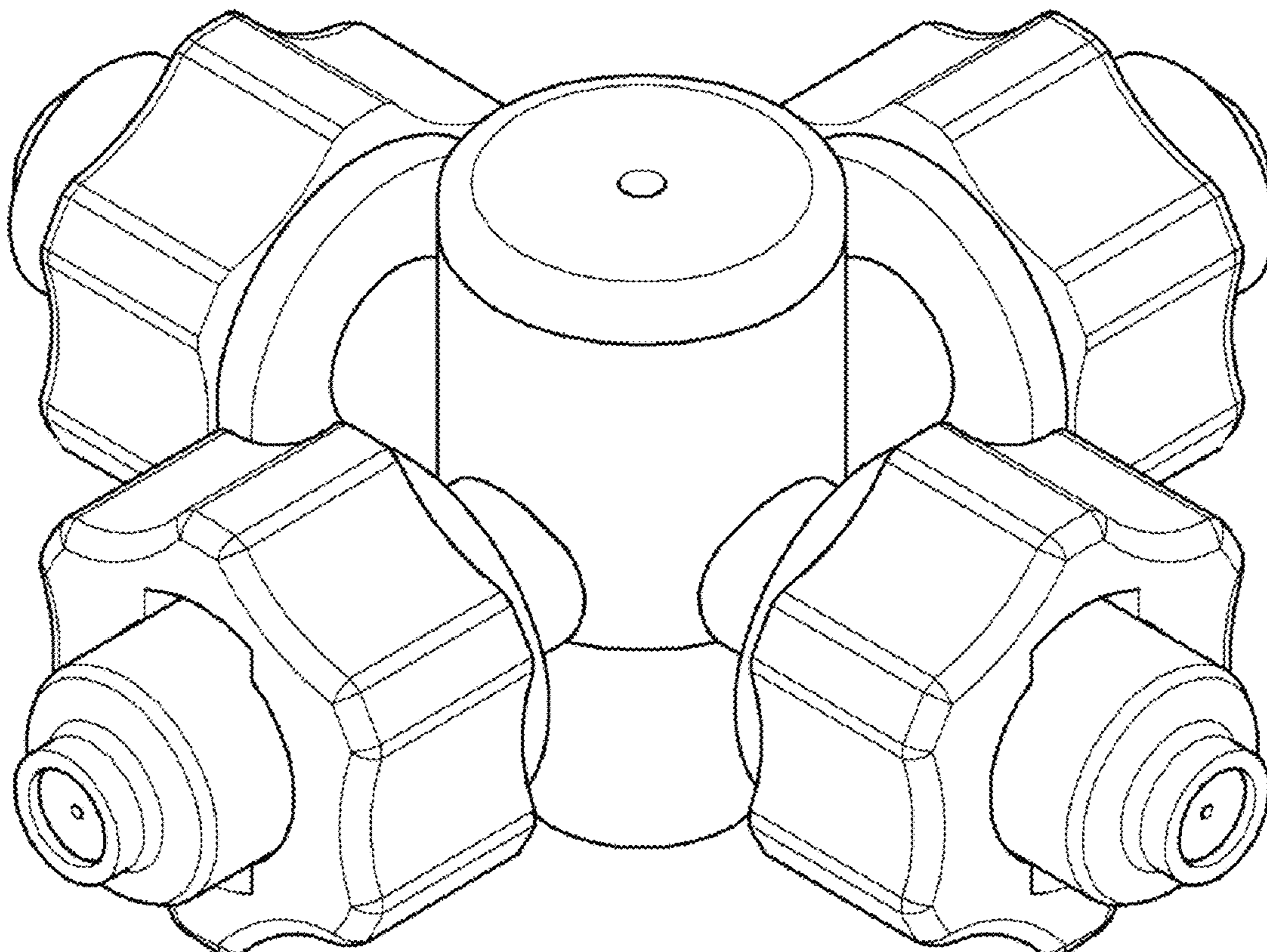


FIG. 1

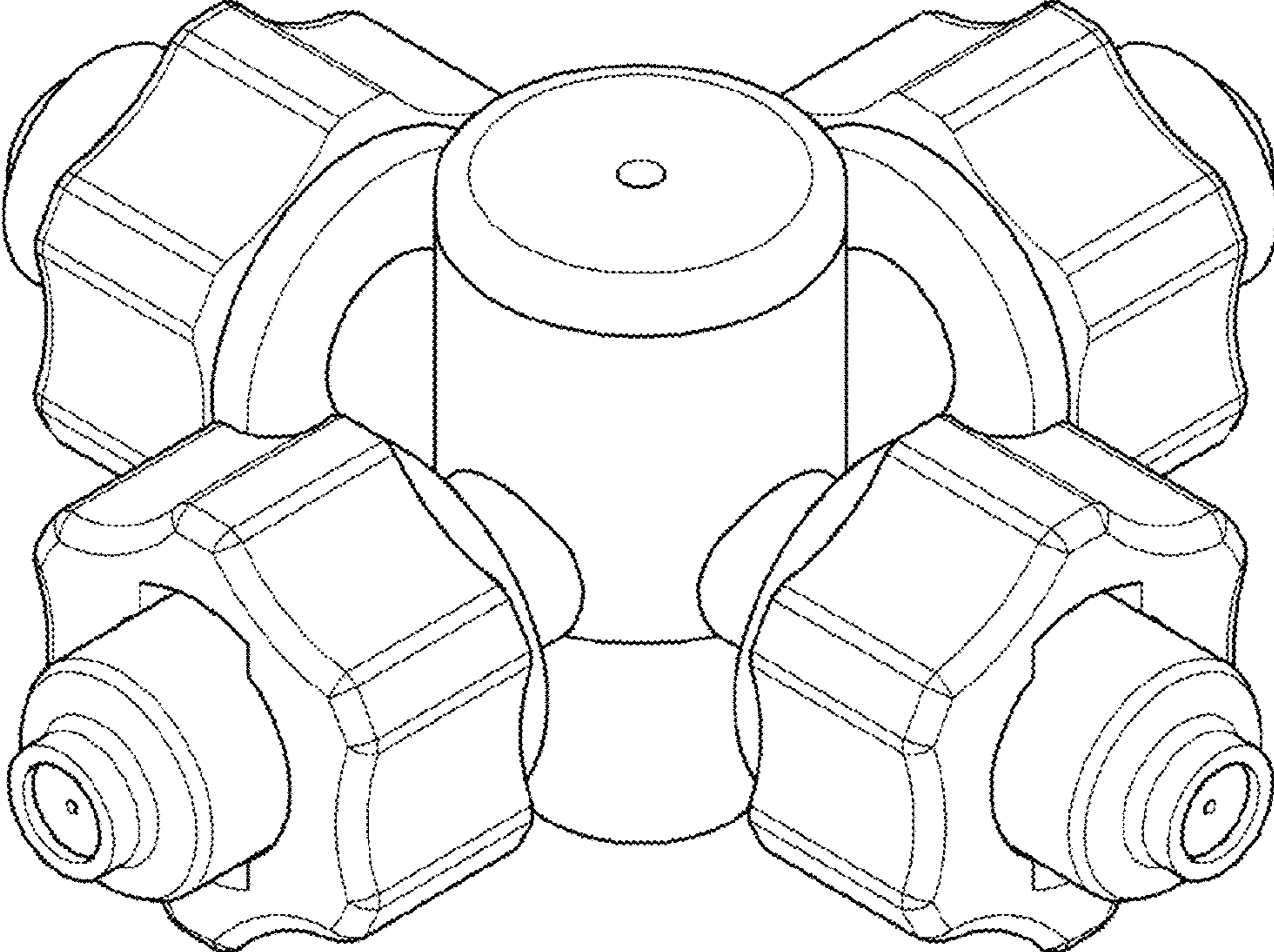


FIG. 2

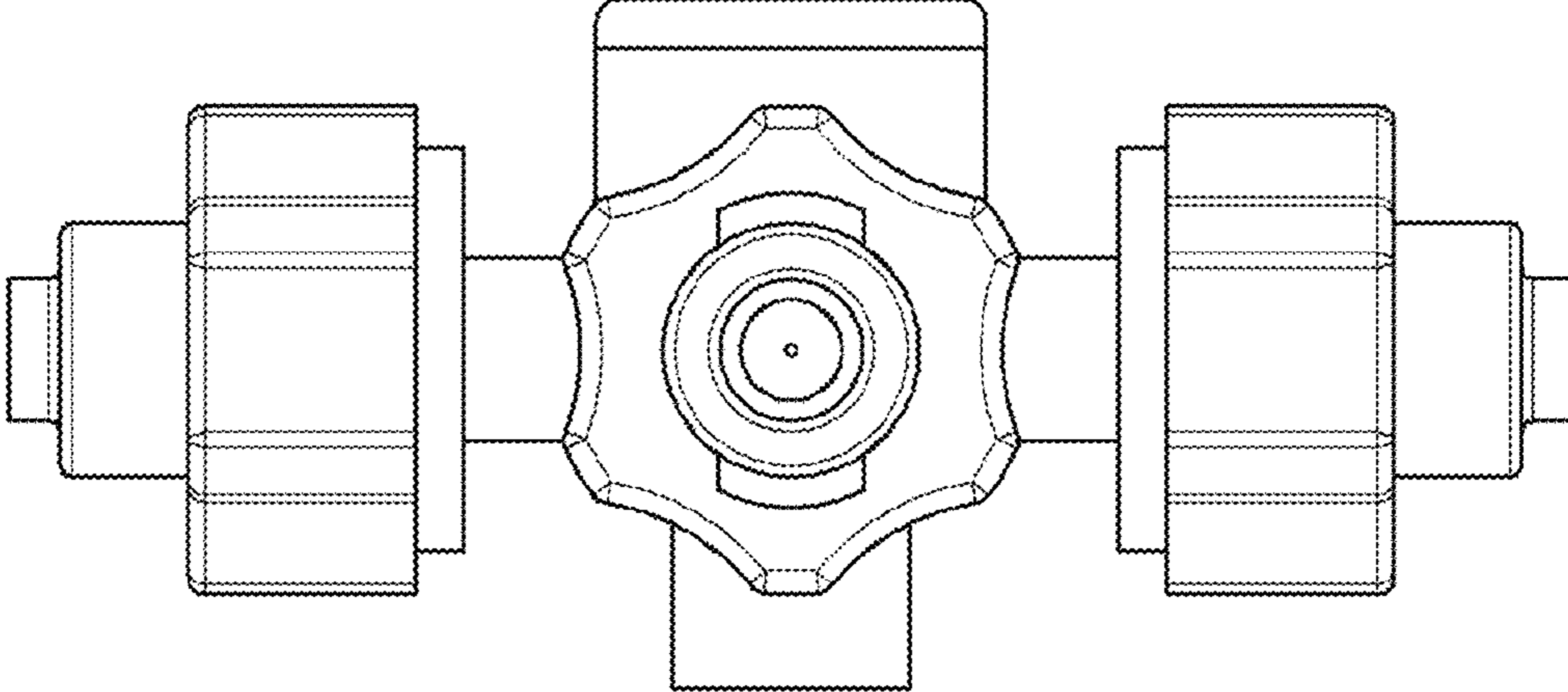


FIG. 3

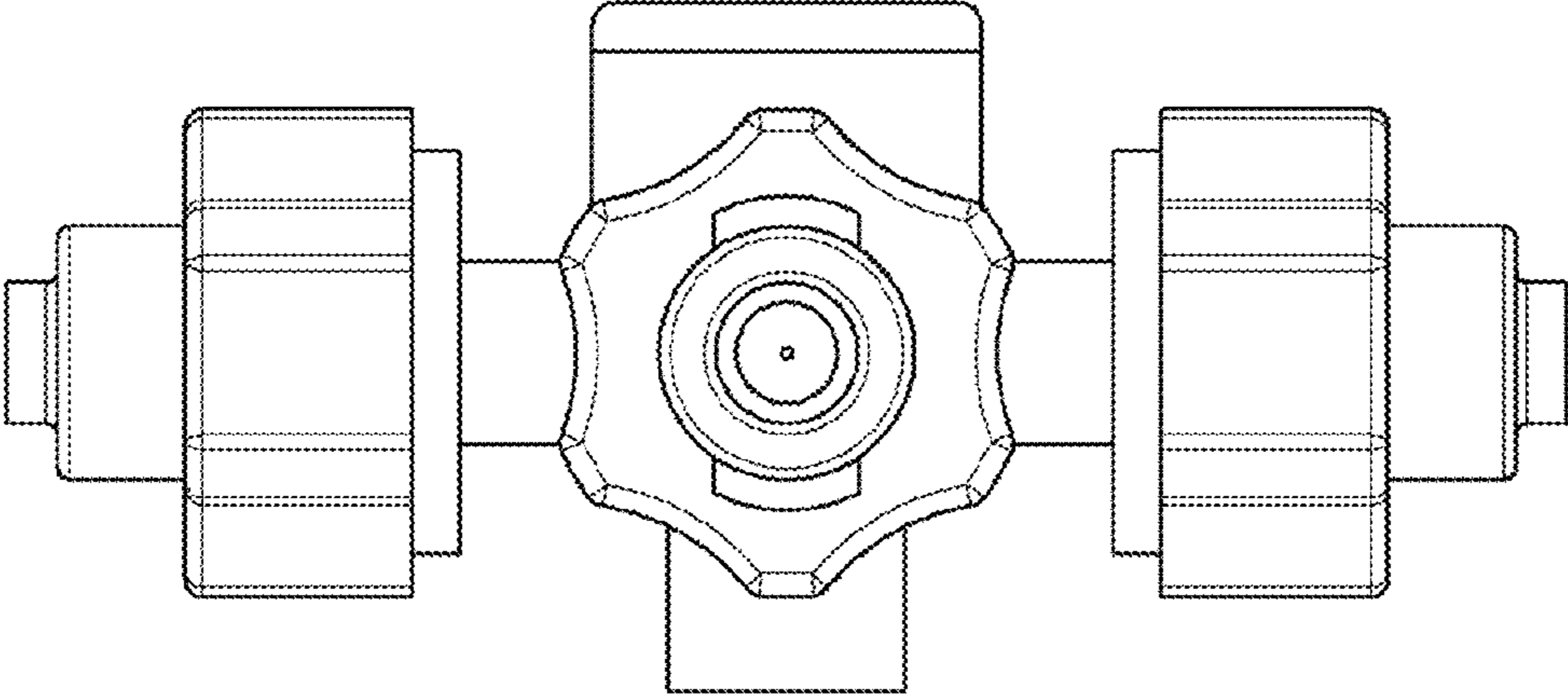


FIG. 4

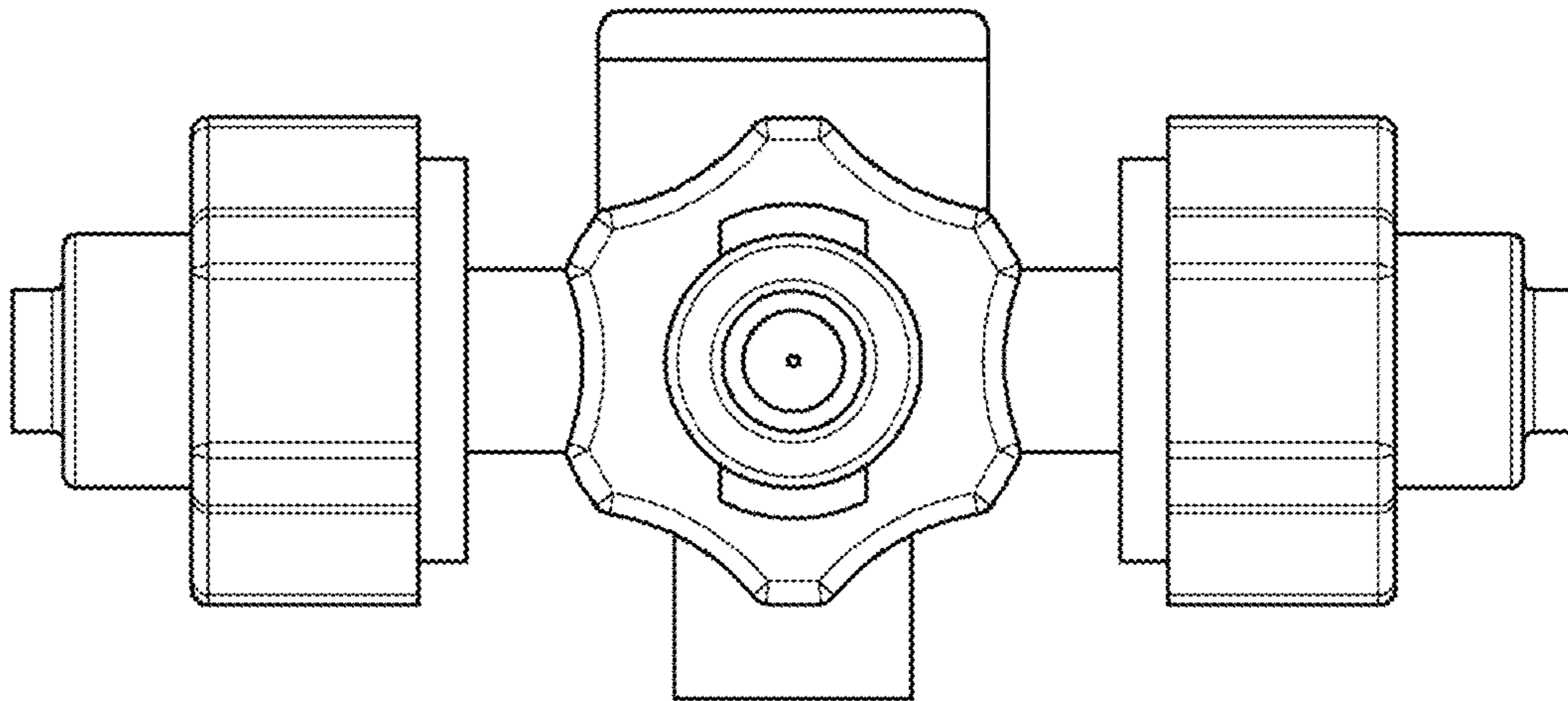


FIG. 5

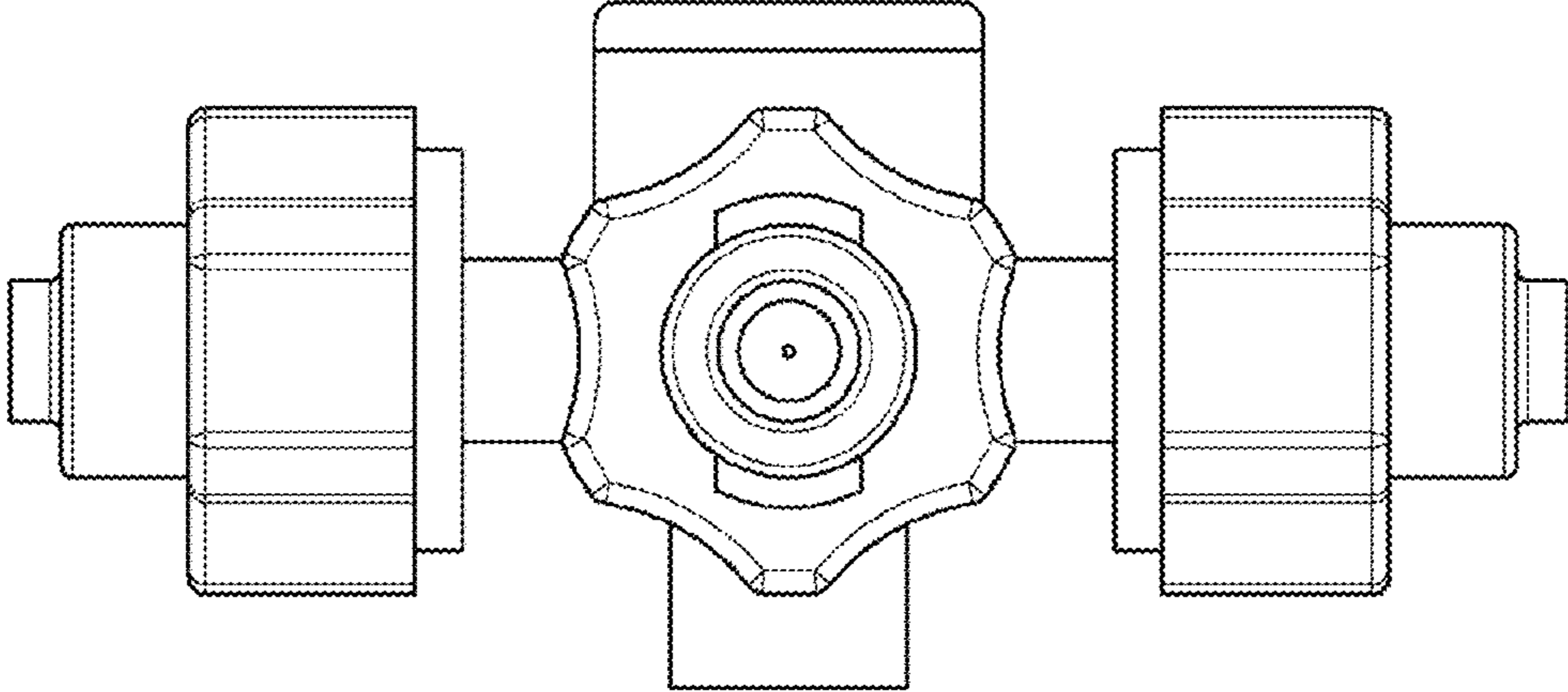


FIG. 6

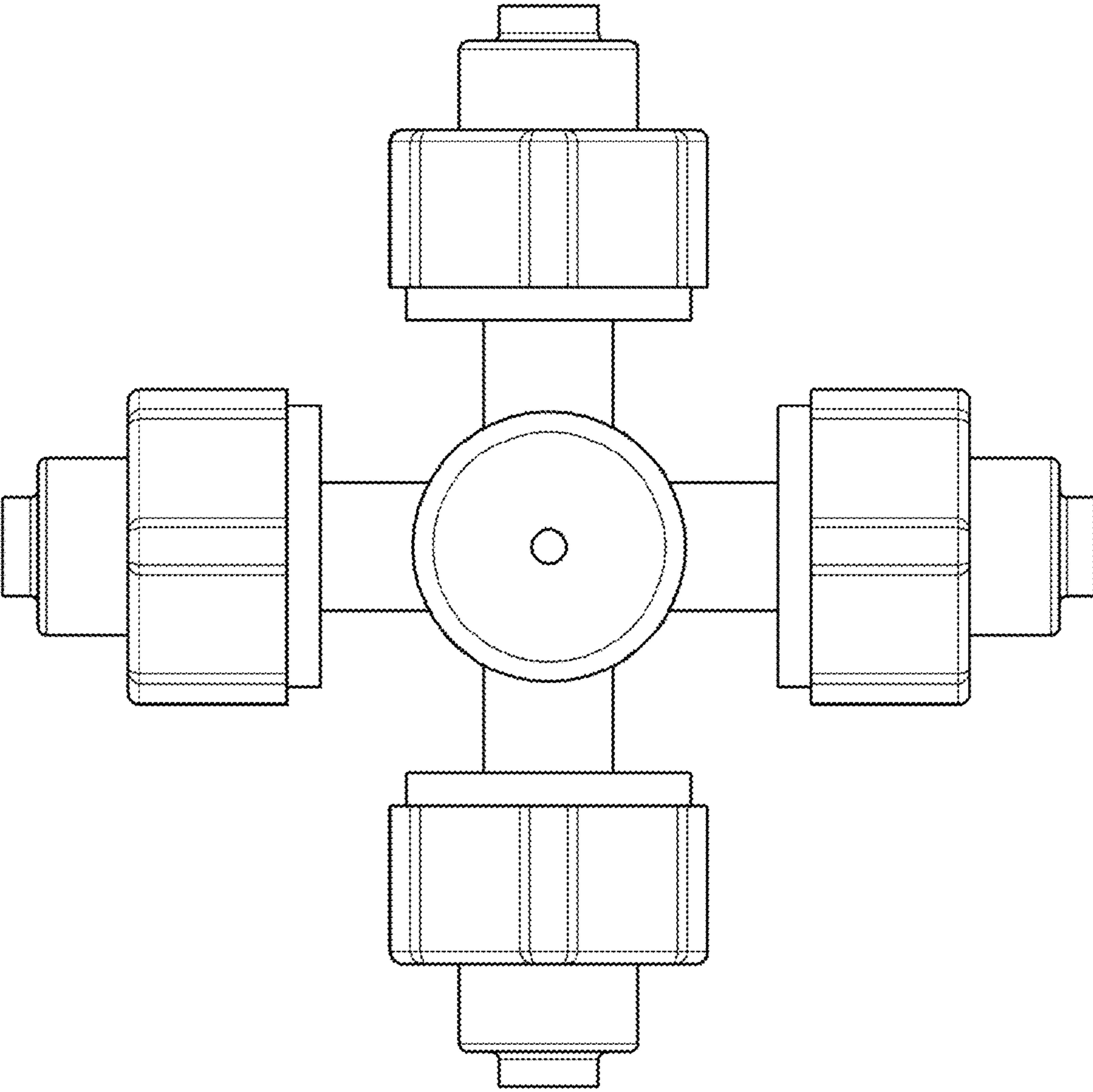


FIG. 7

